

Genuine Spare Parts

www.stiga.com

ESTATE GRAND ROYAL - 2T1310281/SF1 Model Year 2011

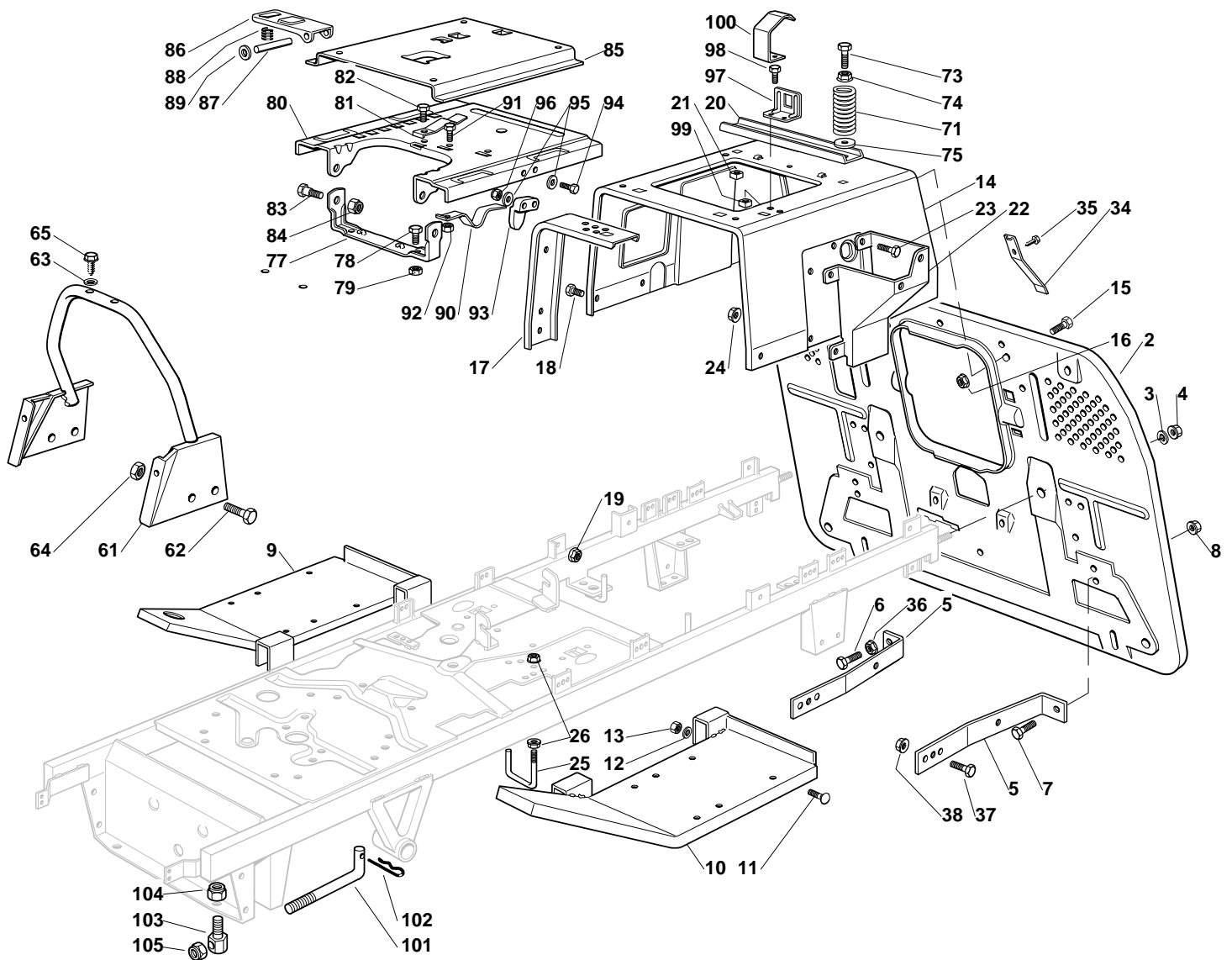
- Use GLOBAL GARDEN PRODUCT Genuine Spare Parts specified in the parts list for repair and/or replacement.
- The contents described in the parts list may change due to improvement.
- The drawings of the spare parts are only indicative and might not represent the part in question exactly.
- The indications "right" - "left" - "front" - "rear" refer to the position of the operator when using the machine.
- When placing orders of parts for repair and/or replacement, make sure that the illustrated parts list is the one applying to the machine's year of manufacture, as shown on the identification plate attached to the machine.

COPYRIGHT by GLOBAL GARDEN PRODUCTS

All rights reserved. No part of this material may be reproduced or transmitted, in any form or by any means, electronic or mechanical, including photocopying, recording or by any information storage and retrieval system, without permission in writing from GLOBAL GARDEN PRODUCTS.



ESTATE GRAND ROYAL

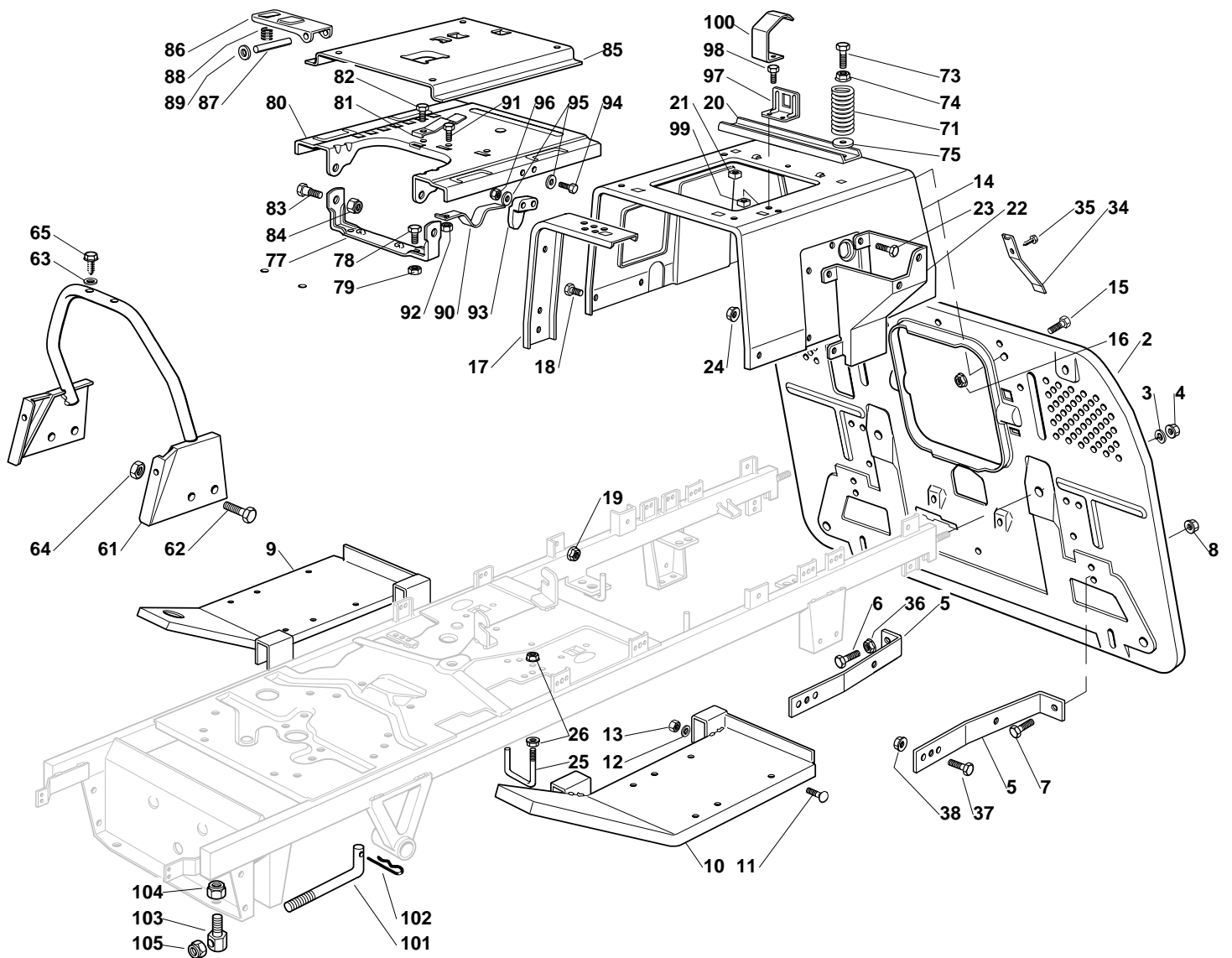




ESTATE GRAND ROYAL

| Pos. Fig. | Antal Quantity | Art No Part No | Benämning | Description | Anmärkning Notes |
|-----------|----------------|----------------|--------------------|-------------------------|------------------|
| 3 | 2 | 12585100/0 | Grower | Grower | |
| 4 | 2 | 12295200/0 | Mutter | Nut | |
| 5 | 2 | 25774273/1 | Reduktion | Stiffening | |
| 6 | 1 | 12691100/0 | Skruv | Left Screw | |
| 7 | 3 | 12793102/0 | Skruv | Screw | |
| 8 | 4 | 12293201/0 | Mutter | Nut | |
| 9 | 1 | 382510041/2 | Fotsteg-hö Stöd | Right Footboard Support | |
| 10 | 1 | 382510043/2 | Fotsteg-Vä Stöd | Left Footboard Support | |
| 11 | 4 | 12815245/0 | Skruv | Screw | |
| 12 | 4 | 12523040/0 | Bricka | Washer | |
| 13 | 4 | 12154510/0 | Mutter | Nut | |
| 14 | 1 | 325785133/4 | Seat Support | Seat Support | |
| 15 | 5 | 12791011/0 | Skruv | Screw | |
| 16 | 5 | 12292102/0 | Mutter | Nut | |
| 17 | 2 | 25650065/0 | Reduktion | Stiffening | |
| 18 | 6 | 12791011/0 | Skruv | Screw | |
| 19 | 6 | 12292102/0 | Mutter | Nut | |
| 20 | 1 | 25650067/0 | Reduktion | Stiffening | |
| 21 | 2 | 12360420/0 | Mutter | Nut | |
| 22 | 1 | 325785137/1 | Stöd | Support | |
| 23 | 4 | 12791011/0 | Skruv | Screw | |
| 24 | 4 | 12292102/0 | Mutter | Nut | |
| 25 | 1 | 25580019/0 | Remstyrning | Belt Guide (Hydro) | |
| 26 | 2 | 12292102/0 | Mutter | Nut | |
| 34 | 1 | 25430238/0 | Fjäder | Spring | |
| 35 | 1 | 12731580/0 | Skruv | Screw | |
| 36 | 1 | 12293200/0 | Mutter | Nut | |
| 37 | 2 | 12793102/0 | Skruv | Screw | |
| 38 | 2 | 12293201/0 | Mutter | Nut | |
| 61 | 1 | 382650045/0 | Chassi | Chassis | |
| 62 | 4 | 12792611/0 | Skruv | Screw | |
| 63 | 2 | 12521330/0 | Bricka | Washer | |
| 64 | 4 | 12292102/0 | Mutter | Nut | |
| 65 | 2 | 12731350/0 | Skruv | Screw | |
| 71 | 2 | 125430257/1 | Fjäder | Spring | |
| 73 | 2 | 25943001/0 | Skruv | Screw | |
| 74 | 2 | 12293201/0 | Mutter | Nut | |
| 75 | 2 | 12523070/0 | Bricka | Washer | |
| 77 | 1 | 82774207/0 | Seat Clamp Support | Seat Clamp Support | |
| 78 | 2 | 12792611/0 | Skruv | Screw | |
| 79 | 2 | 12293201/0 | Mutter | Nut | |
| 80 | 1 | 25785149/2 | Lufffilterhus | Fixed Seat Supp. | |
| 81 | 1 | 25430203/0 | Fjäder | Spring | |
| 82 | 1 | 12731580/0 | Skruv | Screw | |
| 83 | 2 | 22524970/2 | Stift | Pin | |
| 84 | 2 | 12155010/0 | Mutter | Nut | |
| 85 | 1 | 325785147/1 | Seat Support | Seat Support | |
| 86 | 1 | 325318109/1 | Spak | Stop Lever | |
| 87 | 1 | 25510000/0 | Stift | Pin | |
| 88 | 1 | 125430202/1 | Fjäder | Spring | |
| 89 | 2 | 12604897/0 | Bricka | Washer | |
| 90 | 1 | 25430223/2 | Fjäder | Spring | |
| 91 | 1 | 12789000/0 | Skruv | Screw | |
| 92 | 1 | 12154330/0 | Mutter | Nut | |
| 93 | 1 | 25060033/0 | Fäste | Cam | |
| 94 | 2 | 12815050/0 | Skruv | Screw | |
| 95 | 4 | 12521320/0 | Bricka | Washer | |
| 96 | 2 | 12154330/0 | Mutter | Nut | |
| 97 | 1 | 25755025/1 | Fästvinkel | Bracket | |
| 98 | 2 | 12735110/0 | Skruv | Screw | |
| 99 | 2 | 12437502/0 | Trombocyt | Plate | |
| 100 | 1 | 25430255/0 | Fjäder | Spring | |
| 101 | 2 | 125510119/0 | Stång | Tie Rod | |
| 102 | 2 | 24487997/0 | Bricka | Washer | |
| 103 | 2 | 25510040/1 | Stift | Pin | |
| 104 | 2 | 12155000/0 | Mutter | Nut | |

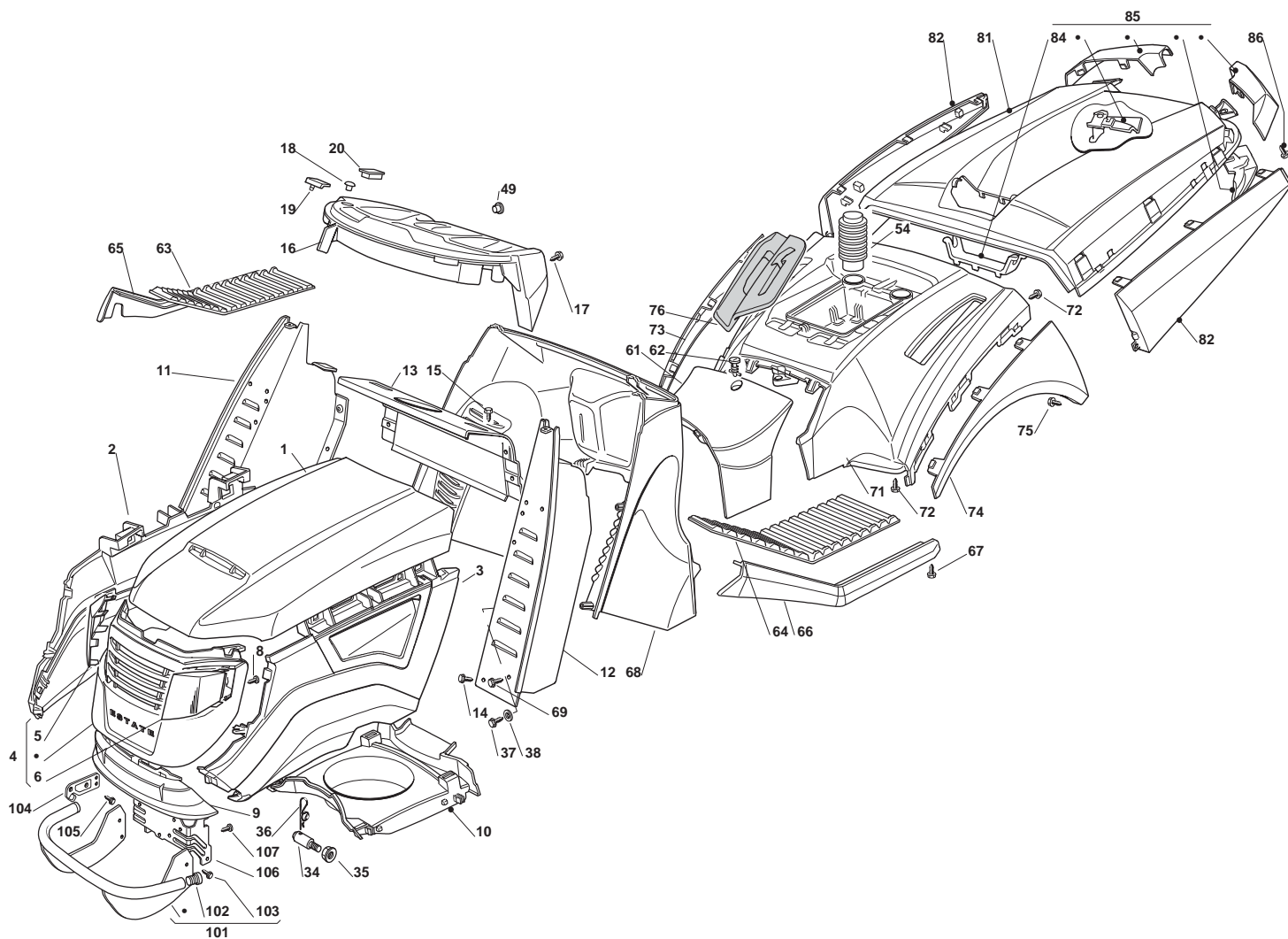
ESTATE GRAND ROYAL



**ESTATE GRAND ROYAL**

| Pos. Fig. | Antal Quantity | Art No Part No | Benämning | Description | Anmärkning Notes |
|-----------|----------------|----------------|-----------|-------------|------------------|
| 105 | 2 | 12155000/0 | Mutter | Nut | |

ESTATE GRAND ROYAL

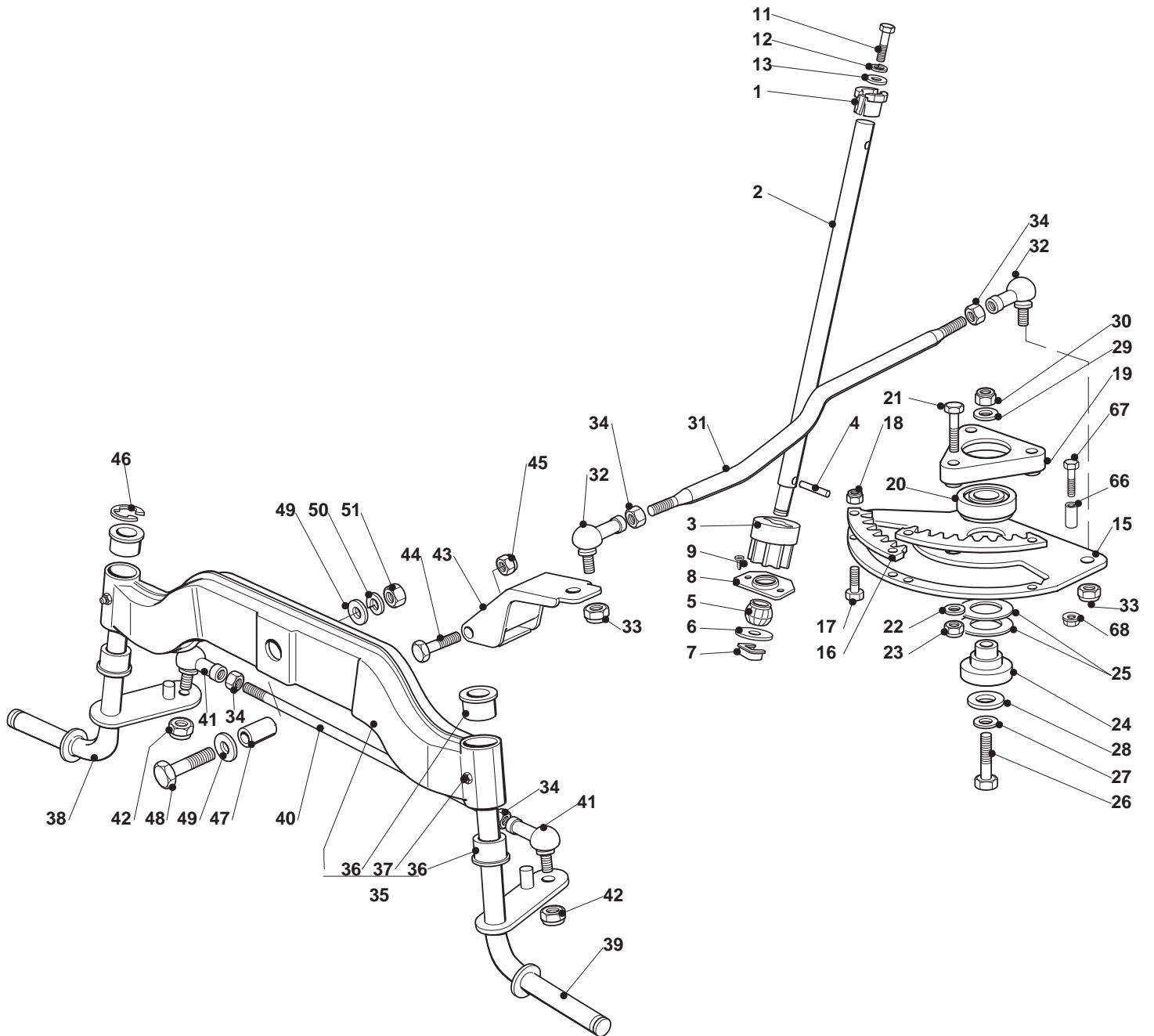




ESTATE GRAND ROYAL

| Pos. Fig. | Antal Quantity | Art No Part No | Benämning | Description | Anmärkning Notes |
|-----------|----------------|----------------|---------------------------|-----------------------------------|------------------|
| 1 | 1 | 25076866/0 | Upper Engine Hood, Yellow | Upper Engine Hood, Yellow | |
| 2 | 1 | 382394611/0 | Hood, Right | Hood, Right | |
| 3 | 1 | 382394612/0 | Hood, Left | Hood, Left | |
| 4 | 1 | 82394610/0 | Motorhuv | Grey Hood, Front | |
| 5 | 1 | 25410876/0 | Frontkåpa-hö | Right Grill | |
| 6 | 1 | 25410877/0 | Frontkåpa-vä | Left Grill | |
| 8 | 6 | 12735403/0 | Skruv | Screw | |
| 9 | 1 | 25076865/0 | Lower Grey Hood, Front | Lower Grey Hood, Front | |
| 10 | 1 | 25108031/0 | Inmatningstratt | Conveyor | |
| 11 | 1 | 382785022/8 | Instrumentbrädal-hö Stöd | Right Dashboard Supp. | |
| 12 | 1 | 382785021/7 | Instrumentbrädal-vä Stöd | Left Dashboard Supp. | |
| 13 | 1 | 82785137/0 | Instrumentbrädal-hö Stöd | Central Dashboard Supp | |
| 14 | 2 | 12735110/0 | Skruv | Screw | |
| 15 | 4 | 12735110/0 | Skruv | Screw | |
| 16 | 1 | 325120205/0 | Instrumentbräda svart | Dashboard, Black (Cruise Control) | |
| 17 | 4 | 12728440/0 | Skruv | Screw | |
| 18 | 2 | 25120200/0 | Lock | Plug | |
| 19 | 2 | 25260000/0 | Hylsa | Grommet | |
| 34 | 2 | 25510068/0 | Stift | Pin | |
| 35 | 2 | 12293201/0 | Mutter | Nut | |
| 36 | 1 | 24487998/0 | Låsnål | Cotter Pin | |
| 37 | 2 | 12731350/0 | Skruv | Screw | |
| 38 | 2 | 12521330/0 | Bricka | Washer | |
| 49 | 1 | 25120233/0 | Lock | Cap | |
| 54 | 2 | 25737002/0 | Styrning | Hood | |
| 61 | 1 | 25110307/0 | Kåpa | Cover | |
| 62 | 1 | 125580020/2 | Stift | Pivot | |
| 63 | 1 | 25110278/1 | Fotsteg-hö täcka | Right Footboard Cover | |
| 64 | 1 | 25110279/0 | Fotsteg-Vä täcka | Left Footboard Cover | |
| 65 | 1 | 25599000/0 | Profil-ho | Right Profil | |
| 66 | 1 | 25599001/0 | Profil-va | Left Profil | |
| 67 | 6 | 12731580/0 | Skruv | Screw | |
| 68 | 1 | 25785231/1 | Instrumentbrädal-Stöd | Dashboard Support | |
| 69 | 7 | 12735403/0 | Skruv | Screw | |
| 71 | 1 | 25109754/0 | Wheels Cover | Wheels Cover | |
| 72 | 4 | 12735402/0 | Skruv | Screw | |
| 73 | 1 | 25109753/0 | Right Wheel Cover | Right Wheel Cover | |
| 74 | 1 | 25109752/0 | Left Wheel Cover | Left Wheel Cover | |
| 75 | 2 | 12728686/0 | Skruv | Screw | |
| 76 | 1 | 25207129/0 | Kåpa | Cover | |
| 81 | 1 | 25110308/0 | Kåpa | Grass-Catcher Cover | |
| 82 | 1 | 382110255/0 | Cover Assy | Cover Assy | |
| 84 | 1 | 25394009/0 | Handtagslock | Handle Cover | |
| 85 | 1 | 382110259/0 | Angles Assy | Angles Assy | |
| 86 | 4 | 12735403/0 | Skruv | Screw | |
| 101 | 1 | 82869025/0 | Ljuddämparskydd | Muffler Protection | |
| 102 | 2 | 18737860/0 | Plugg | Cap | |
| 103 | 4 | 12734995/0 | Skruv | Screw | |
| 104 | 2 | 325547159/1 | Trombocyt | Plate | |
| 105 | 4 | 12731580/0 | Skruv | Screw | |
| 106 | 1 | 25774301/1 | Motorhuv | Engine Hood Support | |
| 107 | 5 | 12735403/0 | Skruv | Screw | |

ESTATE GRAND ROYAL

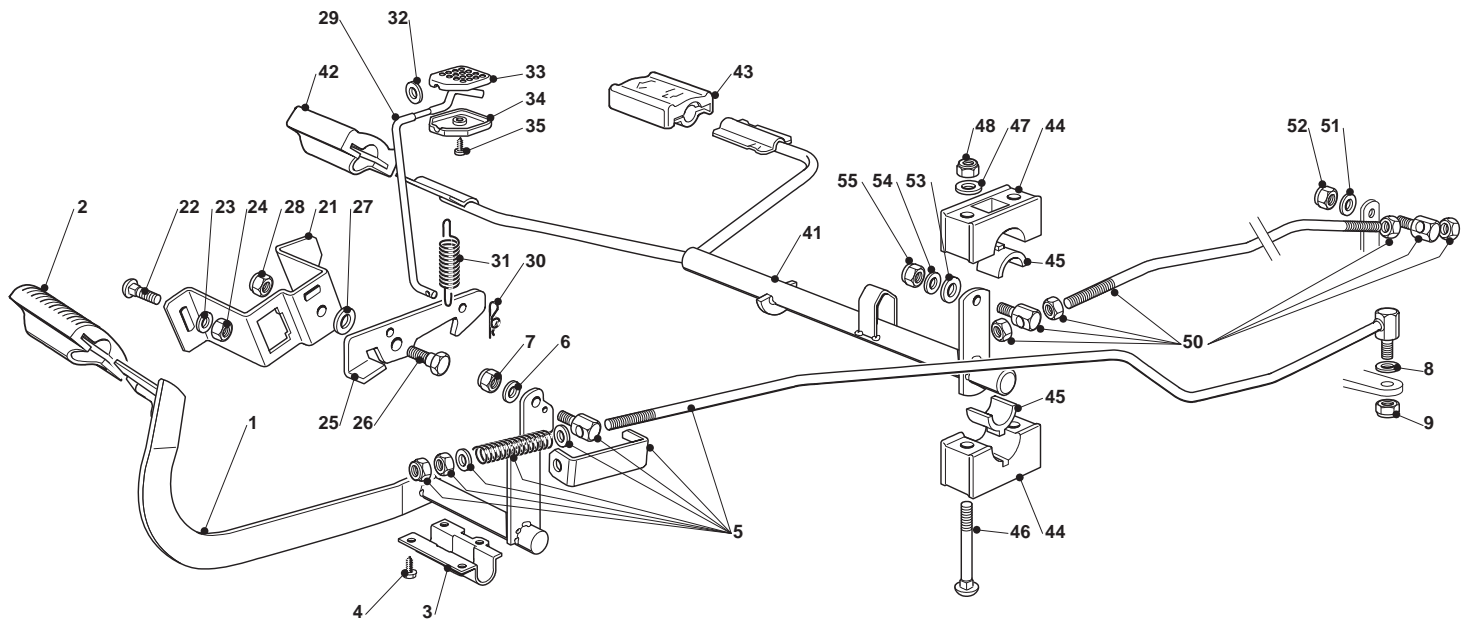




ESTATE GRAND ROYAL

| Pos. Fig. | Antal Quantity | Art No Part No | Benämning | Description | Anmärkning Notes |
|-----------|----------------|----------------|------------------------------------|------------------------------------|------------------|
| 1 | 1 | 25038004/0 | Kompass | Bush | |
| 2 | 1 | 125520010/0 | Steering Column | Steering Column | |
| 3 | 1 | 25570004/0 | Drev | Pinion | |
| 4 | 1 | 112714300/0 | Skruv | Dowel | |
| 5 | 1 | 25743000/0 | Ledkåpa, Vä+Hö | Joint | |
| 6 | 1 | 12521370/0 | Bricka | Washer | |
| 7 | 1 | 12436030/0 | Trombocyt | Plate | |
| 8 | 1 | 325785213/1 | Stöd | Support | |
| 9 | 2 | 12729601/1 | Skruv | Screw | |
| 10 | 1 | 112620250/0 | Stift | Pin | |
| 11 | 1 | 12691800/0 | Skruv | Screw | |
| 12 | 1 | 12583500/0 | Bricka | Grower | |
| 13 | 1 | 12523060/0 | Bricka | Washer | |
| 15 | 1 | 325735523/0 | Steering Shaft | Steering Shaft | |
| 16 | 2 | 325150000/0 | | Rack | |
| 17 | 4 | 12791213/1 | Skruv | Screw | |
| 18 | 4 | 12154510/0 | Mutter | Nut | |
| 19 | 1 | 325774453/0 | Fäste | Clamp | |
| 20 | 1 | 119216047/0 | Kullager | Bearing | |
| 21 | 3 | 12691100/0 | Skruv | Left Screw | |
| 22 | 3 | 12523060/0 | Bricka | Washer | |
| 23 | 3 | 12155000/0 | Mutter | Nut | |
| 24 | 1 | 125510120/0 | Stöd | Support | |
| 25 | 2 | 22672153/0 | Bricka | Washer | |
| 26 | 1 | 12692395/0 | Skruv | Screw | |
| 27 | 1 | 12523080/0 | Bricka | Washer | |
| 28 | 1 | 12521390/0 | Bricka | Washer | |
| 29 | 1 | 12523080/0 | Bricka | Washer | |
| 30 | 1 | 12156602/0 | Mutter | Nut | |
| 31 | 1 | 25033003/1 | Stång | Steering Rod | |
| 32 | 2 | 122746616/0 | Mutter | Joint | |
| 32 | 2 | 22746600/0 | Ledkåpa, vä+hö | Joint | |
| 33 | 2 | 122746609/0 | Mutter | Joint | |
| 34 | 4 | 12156602/0 | Mutter | Nut | |
| 35 | 1 | 82034001/3 | Equalizer With Bush (With 36 + 37) | Equalizer With Bush And Lubricator | |
| 36 | 4 | 25034002/1 | Bussning | Brass | |
| 37 | 2 | 12379511/0 | Smörjnippe | Grease Dispenser | |
| 38 | 1 | 82230361/0 | Right Stub Axle | Right Stub Axle | |
| 39 | 1 | 82230359/0 | Left Stub Axle | Left Stub Axle | |
| 40 | 1 | 25840001/0 | Stång | Tie Rod | |
| 41 | 2 | 122746616/0 | Mutter | Joint | |
| 42 | 2 | 12156602/0 | Mutter | Nut | |
| 43 | 1 | 82318185/0 | Spak | Lever | |
| 44 | 1 | 12692395/0 | Skruv | Screw | |
| 45 | 1 | 12155000/0 | Mutter | Nut | |
| 46 | 1 | 12001000/0 | Låsring | Snap Ring | |
| 47 | 1 | 25160005/0 | Distans | Spacer | |
| 48 | 1 | 12694100/0 | Skruv | Screw | |
| 49 | 2 | 12521390/0 | Bricka | Washer | |
| 50 | 1 | 12587900/0 | Grower | Grower | |
| 51 | 1 | 12295800/0 | Mutter | Nut | |
| 66 | 1 | 22167840/0 | Distans | Spacer (Wheels 15") | |
| 67 | 1 | 12691200/0 | Skruv | Right Screw | |
| 68 | 1 | 12293201/0 | Mutter | Nut | |

ESTATE GRAND ROYAL





ESTATE GRAND ROYAL

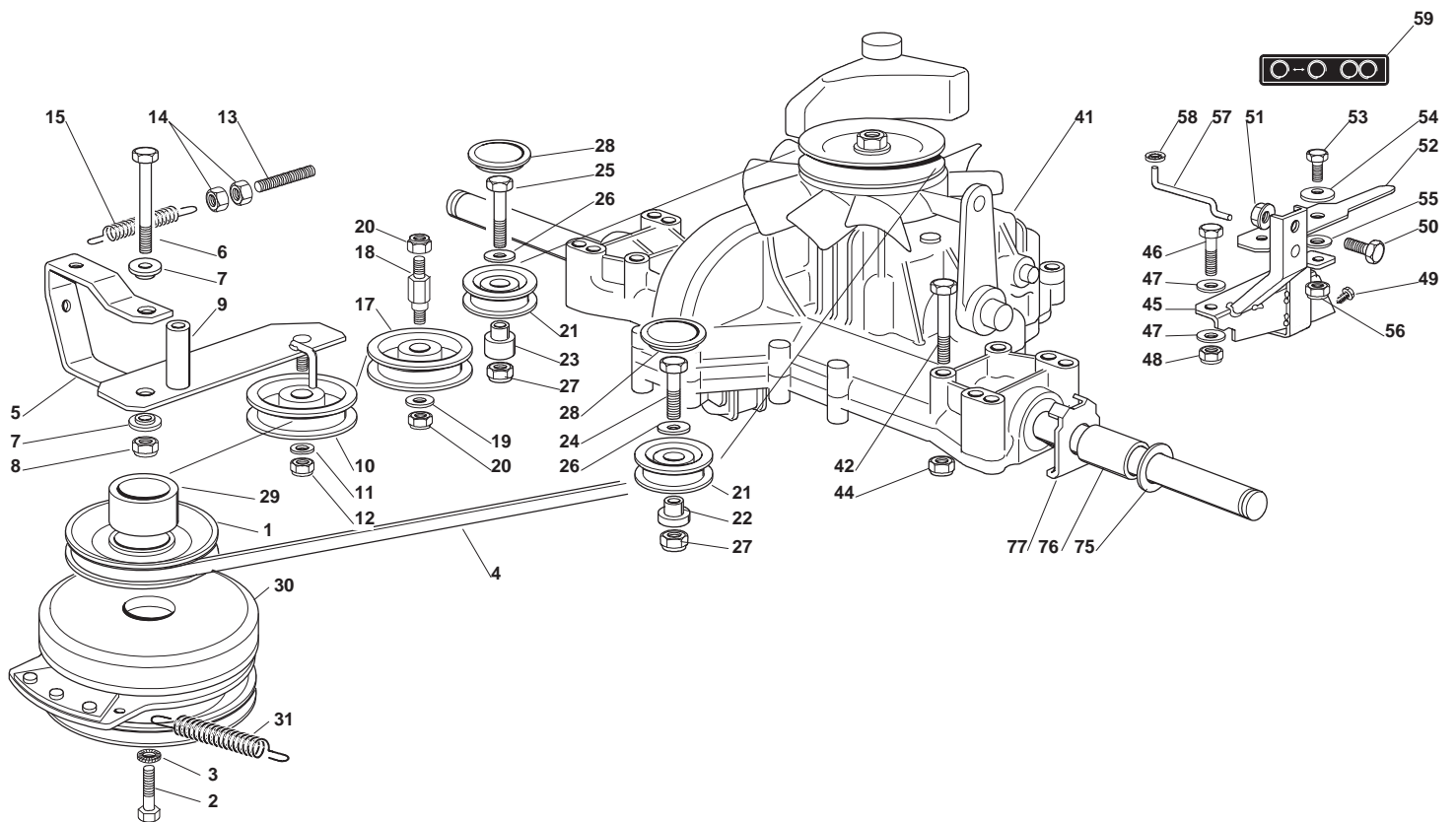
| Pos. Fig. | Antal Quantity | Art No Part No | Benämning | Description | Anmärkning Notes |
|-----------|----------------|----------------|-------------------|-------------------|------------------|
| 1 | 1 | 82500011/2 | Pedal | Pedal | |
| 2 | 1 | 325110416/0 | Clamp Cover | Clamp Cover | |
| 3 | 1 | 325547081/2 | Trombocyt | Plate | |
| 4 | 4 | 12731601/0 | Skruv | Screw | |
| 5 | 1 | 382000582/0 | Länk | Rod | |
| 6 | 1 | 12521350/0 | Bricka | Washer | |
| 7 | 1 | 12155000/0 | Mutter | Nut | |
| 8 | 2 | 12521360/0 | Bricka | Washer | |
| 9 | 1 | 12155000/0 | Mutter | Nut | |
| 21 | 1 | 325785143/1 | Stöd | Support | |
| 22 | 2 | 12815210/0 | Skruv | Screw | |
| 23 | 1 | 12523040/0 | Bricka | Washer | |
| 24 | 2 | 12154510/0 | Mutter | Nut | |
| 25 | 1 | 25253001/0 | Hake | Hook | |
| 26 | 1 | 22524970/2 | Stift | Pin | |
| 27 | 1 | 25670011/0 | Bricka | Washer | |
| 28 | 1 | 12155000/0 | Mutter | Nut | |
| 29 | 1 | 125033097/0 | Länk | Rod | |
| 30 | 1 | 24487997/0 | Bricka | Washer | |
| 31 | 1 | 25430213/0 | Fjäder | Spring | |
| 32 | 1 | 12523040/0 | Bricka | Washer | |
| 33 | 1 | 325592001/0 | Knopp | Knob | |
| 34 | 1 | 325592002/0 | Knopp | Knob | |
| 35 | 1 | 12727815/0 | Skruv | Screw | |
| 41 | 1 | 382000391/0 | Drive Pedal | Drive Pedal | |
| 42 | 1 | 325110417/0 | Clamp Cover Front | Clamp Cover Front | |
| 43 | 1 | 325110418/0 | Clamp Cover Rear | Clamp Cover Rear | |
| 44 | 4 | 325785354/0 | Stöd | Bracket | |
| 45 | 4 | 325034003/0 | Bussning | Brass | |
| 46 | 4 | 112815271/0 | Skruv | Screw | |
| 47 | 4 | 12523040/0 | Bricka | Washer | |
| 48 | 4 | 12154510/0 | Mutter | Nut | |
| 50 | 1 | 382000579/0 | Länk | Rod | |
| 51 | 1 | 12523040/0 | Bricka | Washer | |
| 52 | 1 | 12154510/0 | Mutter | Nut | |
| 53 | 1 | 12521360/0 | Bricka | Washer | |
| 54 | 1 | 12523040/0 | Bricka | Washer | |
| 55 | 1 | 12154510/0 | Mutter | Nut | |



ESTATE GRAND ROYAL

| Pos. Fig. | Antal Quantity | Art No Part No | Benämning | Description | Anmärkning Notes |
|-----------|----------------|----------------|-------------------------|-------------------------|------------------|
| 2 | 1 | 25869016/1 | Vevstake | Connecting Tube | |
| 3 | 2 | 18375051/1 | Slangklämma | Fair Led | |
| 5 | 1 | 25598050/0 | Oil Discharge Extension | Oil Discharge Extension | |
| 6 | 1 | 18737849/0 | Lock | Oil Cap | |
| 7 | 1 | 18401001/1 | Tätningring | Oil Seal | |
| 8 | 1 | 12691115/0 | Skruv | Left Screw | |
| 9 | 1 | 12540260/0 | Bricka | Washer | |
| 10 | 1 | 12154210/0 | Mutter | Nut | |
| 11 | 3 | 12691100/0 | Skruv | Left Screw | |
| 12 | 3 | 12154210/0 | Mutter | Nut | |
| 13 | 1 | 18738214/0 | Avgasrör | Exhaust Right Tube | |
| 14 | 1 | 18738215/0 | Avgasrör | Exhaust Left Tube | |
| 15 | 4 | 12735530/0 | Skruv | Screw | |
| 16 | 4 | 12583500/0 | Bricka | Grower | |
| 17 | 3 | 12791400/0 | Skruv | Screw | |
| 18 | 3 | 12582100/0 | Bricka | Washer | |
| 31 | 1 | 82750003/0 | Ljuddämpare | Muffler | |
| 32 | 2 | 12793102/0 | Skruv | Screw | |
| 33 | 2 | 12540260/0 | Bricka | Washer | |
| 34 | 2 | 12360425/0 | Mutter | Nut | |
| 35 | 1 | 82598005/2 | Skydd | Guard | |
| 36 | 2 | 12792611/0 | Skruv | Screw | |
| 37 | 2 | 12583500/0 | Bricka | Grower | |
| 41 | 1 | 82000211/1 | Gasreglage | Accelerator | |
| 42 | 2 | 125943012/0 | Skruv | Screw | |
| 44 | 1 | 25394501/0 | Knopp | Knob | |
| 45 | 1 | 12726388/0 | Stift | Screw | |
| 46 | 1 | 12290800/0 | Mutter | Nut | |
| 51 | 1 | 25735111/3 | Tank | Tank | |
| 52 | 1 | 25795000/1 | Lock | Cap | |
| 53 | 2 | 12788910/0 | Skruv | Screw | |
| 54 | 2 | 12500092/0 | Rivet | Rivet | |

ESTATE GRAND ROYAL

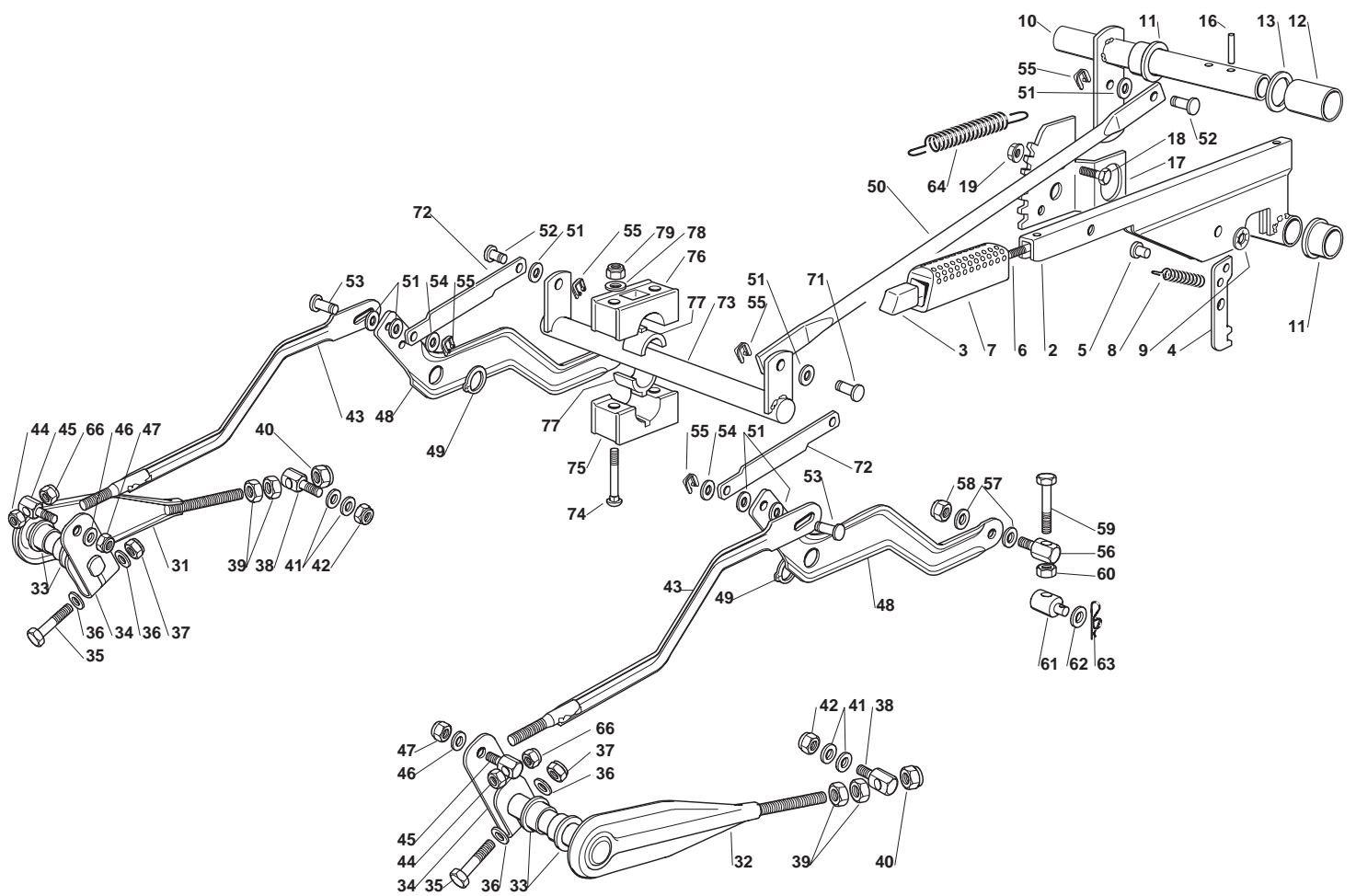




ESTATE GRAND ROYAL

| Pos. Fig. | Antal Quantity | Art No Part No | Benämning | Description | Anmärkning Notes |
|-----------|----------------|----------------|--------------------------|--------------------------|------------------|
| 1 | 1 | 25601566/0 | Remskiva | Pulley | |
| 2 | 1 | 12737320/0 | Skruv | Screw | |
| 3 | 1 | 12543000/0 | Bricka | Washer | |
| 4 | 1 | 35062001/0 | Drivrem | Belt | |
| 5 | 1 | 82318165/1 | Spak | Lever | |
| 6 | 1 | 12692000/0 | Skruv | Screw | |
| 7 | 2 | 25038002/1 | Bussning | Bush | |
| 8 | 1 | 12155000/0 | Mutter | Nut | |
| 9 | 1 | 25160027/0 | Distans | Spacer | |
| 10 | 1 | 25601554/0 | Remskiva | Pulley | |
| 11 | 1 | 12523060/0 | Bricka | Washer | |
| 12 | 1 | 12155000/0 | Mutter | Nut | |
| 13 | 1 | 25840010/1 | Stång | Tie Rod | |
| 14 | 2 | 12293200/0 | Mutter | Nut | |
| 15 | 1 | 25430219/0 | Fjäder | Spring | |
| 17 | 1 | 25601555/0 | Remskiva | Pulley | |
| 18 | 1 | 25510036/1 | Stift | Pin | |
| 19 | 1 | 12523060/0 | Bricka | Washer | |
| 20 | 2 | 12155000/0 | Mutter | Nut | |
| 21 | 2 | 325601570/1 | Remskiva | Pulley | |
| 22 | 1 | 125160030/2 | Distans | Left Spacer | |
| 23 | 1 | 125160024/2 | Distans | Long Spacer | |
| 24 | 1 | 12691115/0 | Skruv | Left Screw | |
| 25 | 1 | 12691400/0 | Skruv | Right Screw | |
| 26 | 2 | 12523060/0 | Bricka | Washer | |
| 27 | 2 | 12155000/0 | Mutter | Nut | |
| 28 | 2 | 25109521/1 | Kåpa | Cover | |
| 29 | 1 | 25160021/0 | Distans | Spacer | |
| 30 | 1 | 118399062/0 | Koppling | Clutch | |
| 31 | 1 | 125430210/1 | Fjäder | Spring | |
| 41 | 1 | 18400950/1 | Rear Axle Tuff Torq K46F | Rear Axle Tuff Torq K46F | |
| 42 | 4 | 12691800/0 | Skruv | Screw | |
| 44 | 4 | 12154210/0 | Mutter | Nut | |
| 45 | 1 | 82785109/0 | Stöd | Support | |
| 46 | 1 | 12691200/0 | Skruv | Right Screw | |
| 47 | 2 | 12521350/0 | Bricka | Washer | |
| 48 | 1 | 12155000/0 | Mutter | Nut | |
| 49 | 2 | 12735120/0 | Skruv | Screw | |
| 50 | 1 | 12792611/0 | Skruv | Screw | |
| 51 | 1 | 12293201/0 | Mutter | Nut | |
| 52 | 1 | 25318157/0 | Arm | Lever | |
| 53 | 1 | 12793102/0 | Skruv | Screw | |
| 54 | 1 | 12369500/0 | Bricka | Washer | |
| 55 | 1 | 25670011/0 | Bricka | Washer | |
| 56 | 1 | 12155000/0 | Mutter | Nut | |
| 57 | 1 | 25033033/0 | Länk | Rod | |
| 58 | 1 | 12604896/0 | Skruv | Crown Fastener | |
| 59 | 1 | 114357423/2 | Dekal | Label | |
| 75 | 4 | 25670005/1 | Bricka | Washer | |
| 76 | 2 | 25160023/0 | Distans | Spacer | |
| 77 | 2 | 325670025/0 | Bricka | Washer | |

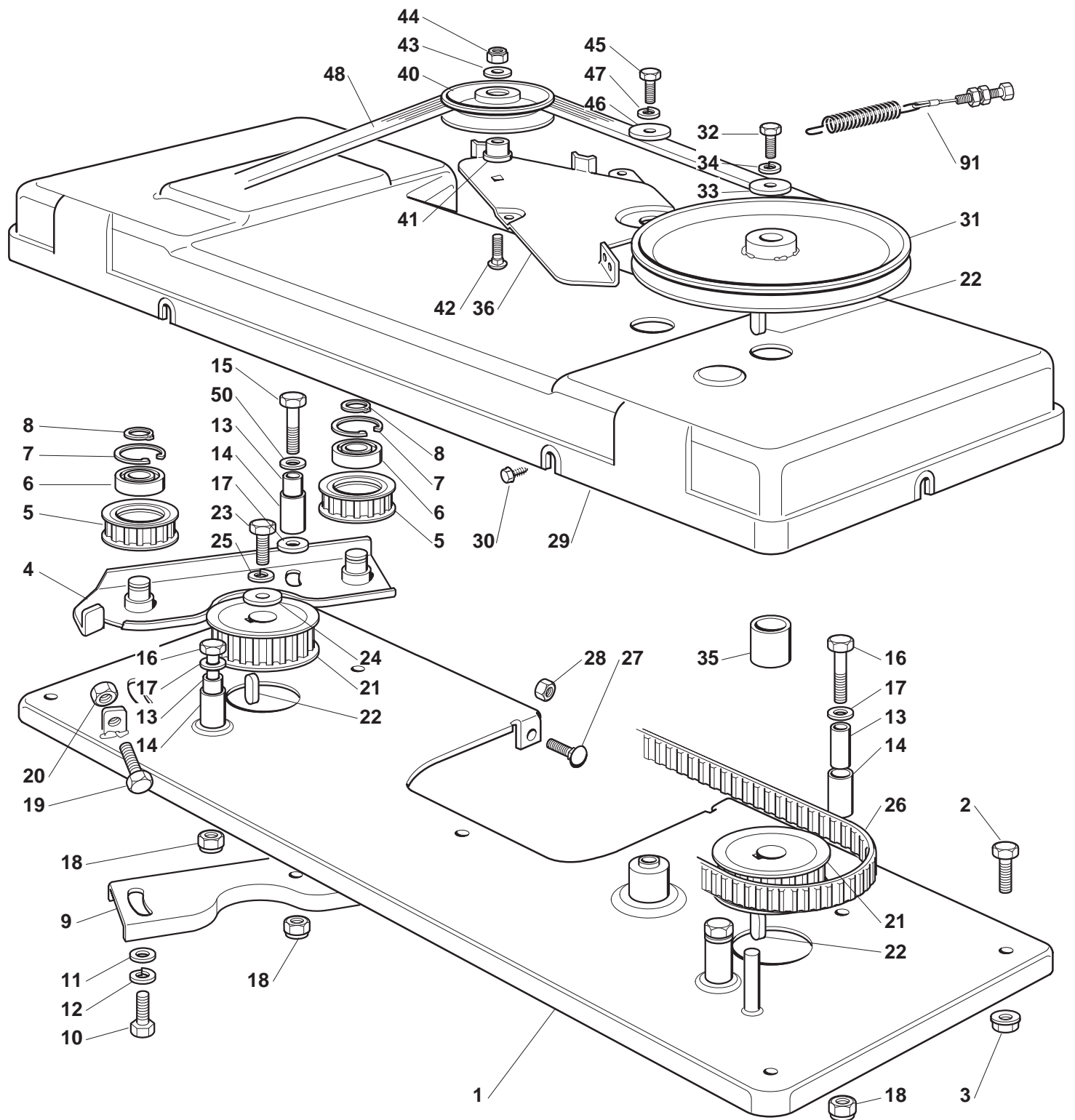
ESTATE GRAND ROYAL





ESTATE GRAND ROYAL

| Pos. Fig. | Antal Quantity | Art No Part No | Benämning | Description | Anmärkning Notes |
|-----------|----------------|----------------|------------------------|----------------|------------------|
| 2 | 1 | 82318139/0 | Spak | Lever | |
| 3 | 1 | 25605000/1 | Tryckring | Button | |
| 4 | 1 | 25470901/0 | Dog | Dog | |
| 5 | 1 | 25510011/0 | Stift | Pin | |
| 6 | 1 | 25033002/0 | Länk | Rod | |
| 7 | 1 | 325394536/0 | Knopp | Knob | |
| 8 | 1 | 25430208/0 | Fjäder | Spring | |
| 9 | 1 | 12604899/0 | Låsbricka | Crown Fastener | |
| 10 | 1 | 382000551/0 | Axel | Axle | |
| 11 | 2 | 22034523/0 | Bussning | Bush | |
| 12 | 1 | 25160025/0 | Distans | Spacer | |
| 13 | 1 | 22672153/0 | Bricka | Washer | |
| 16 | 2 | 12620206/0 | Stift | Pin | |
| 17 | 1 | 25735506/1 | Sector | Sector | |
| 18 | 2 | 12792611/0 | Skruv | Screw | |
| 19 | 2 | 12293201/0 | Mutter | Nut | |
| 31 | 1 | 82318159/0 | Right Lever (Mod. 122) | Right Lever | |
| 32 | 1 | 82318161/0 | Left Lever (Mod. 122) | Left Lever | |
| 33 | 4 | 25040605/0 | Kompass | Bush | |
| 34 | 2 | 25318161/0 | Arm | Lever | |
| 35 | 2 | 12691700/0 | Skruv | Screw | |
| 36 | 4 | 12521350/0 | Bricka | Washer | |
| 37 | 2 | 12155000/0 | Mutter | Nut | |
| 38 | 2 | 25510056/0 | Stift | Pin | |
| 39 | 4 | 12295200/0 | Mutter | Nut | |
| 40 | 2 | 12156602/0 | Mutter | Nut | |
| 41 | 4 | 25670008/1 | Bricka | Washer | |
| 42 | 2 | 12156602/0 | Mutter | Nut | |
| 43 | 2 | 82000477/2 | Vevstake | Connecting Rod | |
| 44 | 2 | 12155000/0 | Mutter | Nut | |
| 45 | 2 | 125510055/1 | Stift | Pin | |
| 46 | 2 | 12521350/0 | Bricka | Washer | |
| 47 | 2 | 12155000/0 | Mutter | Nut | |
| 48 | 2 | 25318153/1 | Spännarm | Rear Lever | |
| 49 | 2 | 12609255/0 | Seegerring | Seeger | |
| 50 | 1 | 325033071/0 | Vevstake | Connecting Rod | |
| 51 | 7 | 25670011/0 | Bricka | Washer | |
| 52 | 2 | 125510117/0 | Stift | Pin | |
| 53 | 2 | 125510048/1 | Stift | Pin | |
| 54 | 2 | 12521350/0 | Bricka | Washer | |
| 55 | 5 | 12436050/0 | Trombocyt | Plate | |
| 56 | 2 | 25510056/0 | Stift | Pin | |
| 57 | 4 | 25670008/1 | Bricka | Washer | |
| 58 | 2 | 12156602/0 | Mutter | Nut | |
| 59 | 2 | 12794985/0 | Skruv | Screw | |
| 60 | 2 | 12295200/0 | Mutter | Nut | |
| 61 | 2 | 25510070/0 | Stift | Pin | |
| 62 | 2 | 12523090/0 | Bricka | Washer | |
| 63 | 2 | 24487998/0 | Låsnål | Cotter Pin | |
| 64 | 1 | 25430218/0 | Fjäder | Spring | |
| 66 | 2 | 12293200/0 | Mutter | Nut | |
| 71 | 1 | 125510048/1 | Stift | Pin | |
| 72 | 2 | 325318223/0 | Spak | Lever | |
| 73 | 1 | 382000585/0 | Axel | Axle | |
| 74 | 4 | 112815271/0 | Skruv | Screw | |
| 75 | 2 | 325785355/0 | Stöd | Bracket | |
| 76 | 2 | 325785354/0 | Stöd | Bracket | |
| 77 | 4 | 325034003/0 | Bussning | Brass | |
| 78 | 4 | 12523040/0 | Bricka | Washer | |
| 79 | 4 | 12154510/0 | Mutter | Nut | |

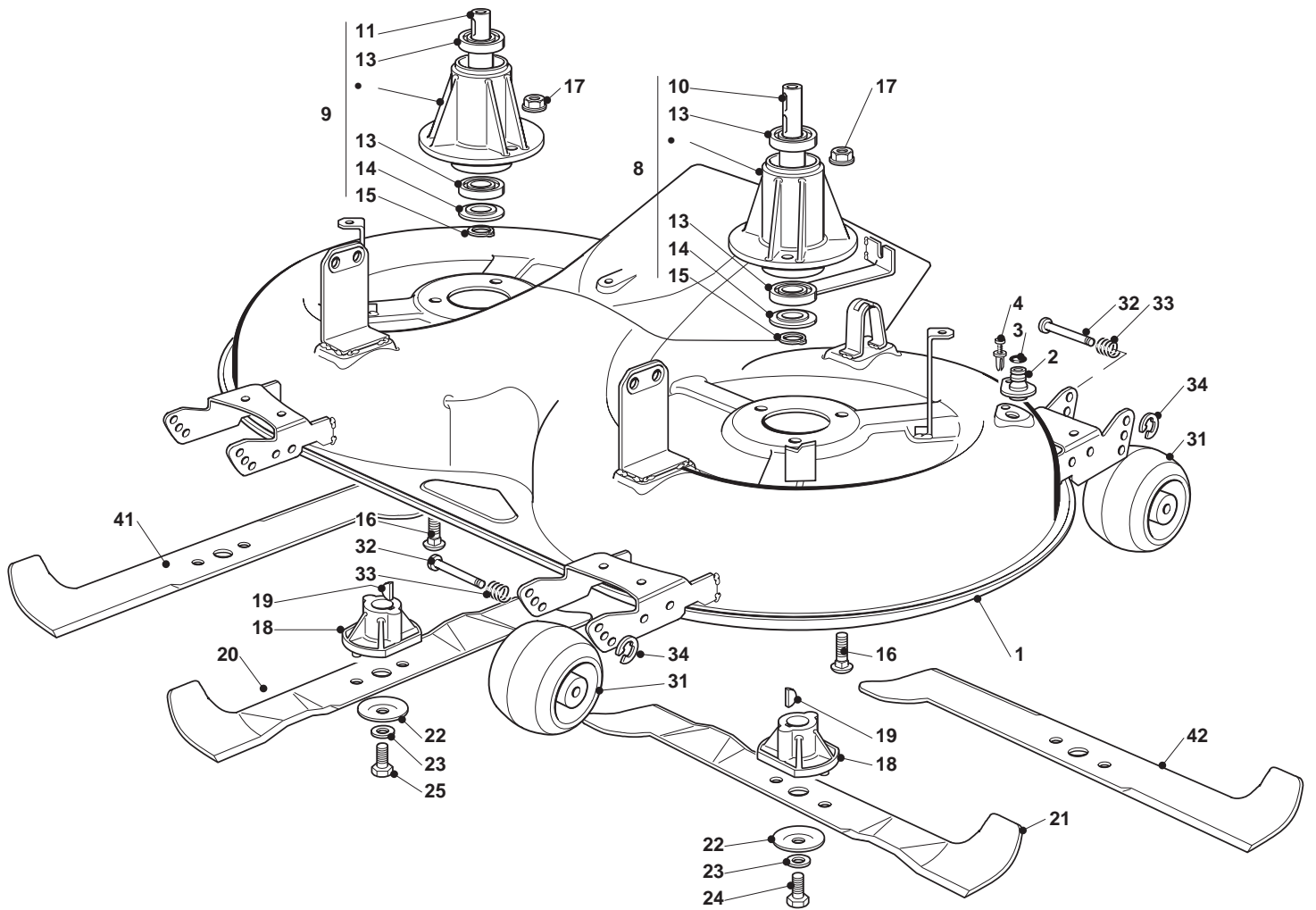




ESTATE GRAND ROYAL

| Pos. Fig. | Antal Quantity | Art No Part No | Benämning | Description | Anmärkning Notes |
|-----------|----------------|----------------|------------|-------------|------------------|
| 1 | 1 | 82547031/0 | Tavla | Plate | |
| 2 | 4 | 12792611/0 | Skruv | Screw | |
| 3 | 4 | 12293201/0 | Mutter | Nut | |
| 4 | 1 | 82785084/1 | Stöd | Support | |
| 5 | 2 | 25601561/0 | Remskiva | Pulley | |
| 6 | 2 | 119216048/0 | Kullager | Bearing | |
| 7 | 2 | 12610800/0 | Seegerring | Seeger | |
| 8 | 2 | 12609200/0 | Seegerring | Seeger | |
| 9 | 1 | 25650037/0 | Reduktion | Stiffening | |
| 10 | 2 | 12793102/0 | Skruv | Screw | |
| 11 | 2 | 12521350/0 | Bricka | Washer | |
| 12 | 2 | 12583500/0 | Bricka | Grower | |
| 13 | 4 | 25160003/0 | Distans | Spacer | |
| 14 | 4 | 25038000/0 | Bussning | Bushing | |
| 15 | 1 | 12691700/0 | Skruv | Screw | |
| 16 | 3 | 12691200/0 | Skruv | Right Screw | |
| 17 | 4 | 12521350/0 | Bricka | Washer | |
| 18 | 4 | 12293201/0 | Mutter | Nut | |
| 19 | 1 | 12793900/0 | Skruv | Screw | |
| 20 | 1 | 12293200/0 | Mutter | Nut | |
| 21 | 2 | 25601562/0 | Remskiva | Pulley | |
| 22 | 3 | 12139480/0 | Kil | Feather | |
| 23 | 1 | 12793102/0 | Skruv | Screw | |
| 24 | 1 | 25670007/0 | Bricka | Washer | |
| 25 | 1 | 12583500/0 | Bricka | Grower | |
| 26 | 1 | 35065601/0 | Drivrem | Belt | |
| 27 | 3 | 12815200/0 | Skruv | Screw | |
| 28 | 3 | 12292102/0 | Mutter | Nut | |
| 29 | 1 | 25060101/2 | Hus | Case | |
| 30 | 6 | 12735110/0 | Skruv | Screw | |
| 31 | 1 | 25601549/0 | Remskiva | Pulley | |
| 32 | 1 | 12793102/0 | Skruv | Screw | |
| 33 | 1 | 25670007/0 | Bricka | Washer | |
| 34 | 1 | 12583500/0 | Bricka | Grower | |
| 35 | 1 | 25160002/0 | Distans | Spacer | |
| 36 | 1 | 25318119/0 | Bromsarm | Brake Lever | |
| 40 | 1 | 25601555/0 | Remskiva | Pulley | |
| 41 | 1 | 25160007/0 | Distans | Spacer | |
| 42 | 1 | 12818900/0 | Skruv | Screw | |
| 43 | 1 | 12523060/0 | Bricka | Washer | |
| 44 | 1 | 12155000/0 | Mutter | Nut | |
| 45 | 1 | 12793102/0 | Skruv | Screw | |
| 46 | 1 | 12523070/0 | Bricka | Washer | |
| 47 | 1 | 12583500/0 | Bricka | Grower | |
| 48 | 1 | 35062812/0 | Drivrem | Belt | |
| 50 | 1 | 12523060/0 | Bricka | Washer | |
| 91 | 1 | 82004609/0 | Kabel | Wire | |

ESTATE GRAND ROYAL

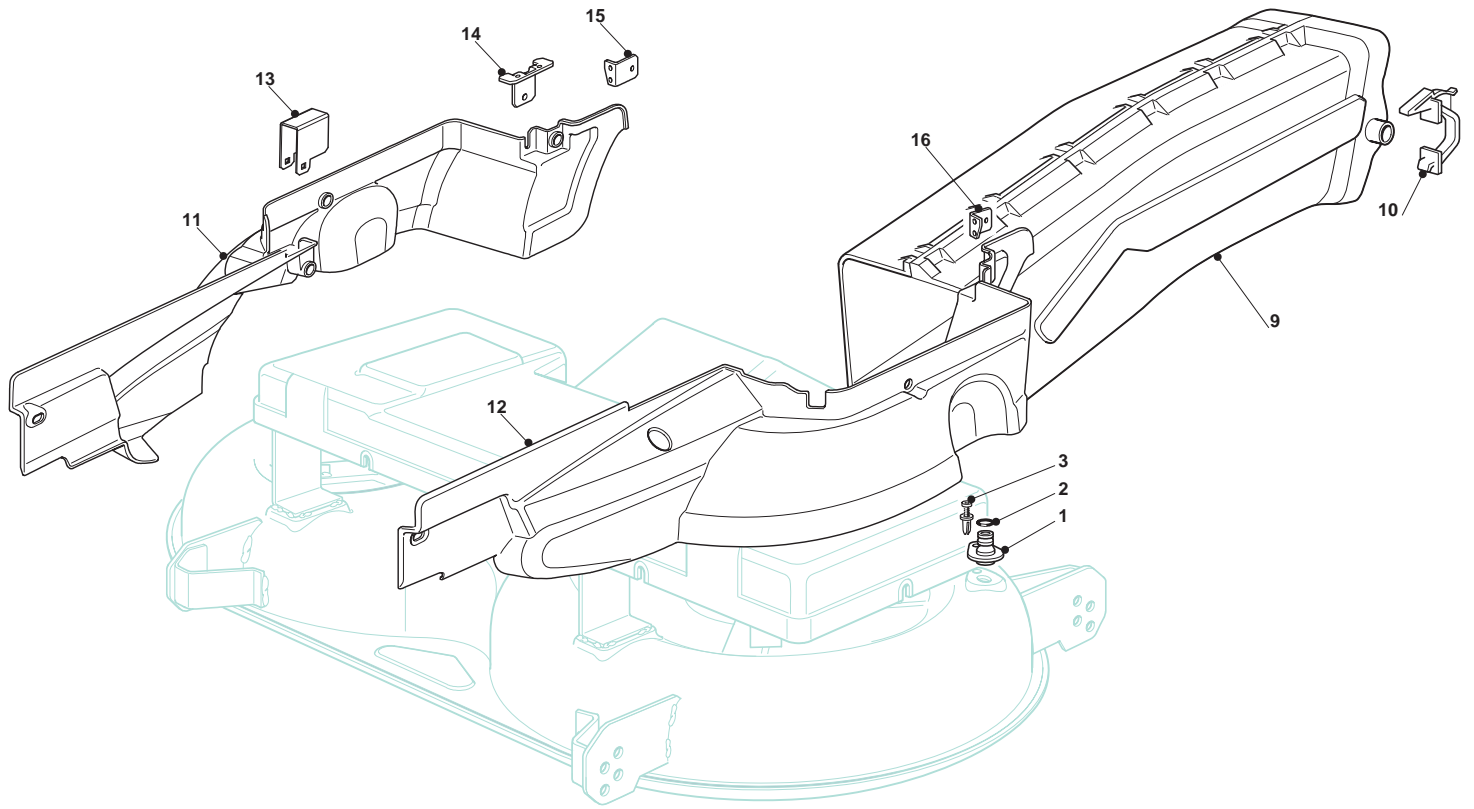




ESTATE GRAND ROYAL

| Pos. Fig. | Antal Quantity | Art No Part No | Benämning | Description | Anmärkning Notes |
|-----------|----------------|----------------|------------------------|---|------------------|
| 1 | 1 | 382564215/0 | Cutting Plate Yellow | Cutting Plate Yellow | |
| 2 | 2 | 25033060/0 | Water Hose Connection | Water Hose Connection | |
| 3 | 2 | 19035000/0 | O-ring | Or Ring | |
| 4 | 2 | 12500030/0 | Rivet | Rivet | |
| 8 | 1 | 82207200/1 | Main Shaft Support | Main Shaft Support | |
| 9 | 1 | 82207201/2 | Fläns | Secondary Shaft Support | |
| 10 | 1 | 25020800/1 | Knivaxel | Main Blade Shaft | |
| 11 | 1 | 25020801/2 | Knivaxel | Secondary Blade Shaft | |
| 13 | 4 | 19216032/0 | Kullager | Bearing | |
| 14 | 2 | 25160501/0 | Dammskydd | Dust Cover | |
| 15 | 2 | 12609260/0 | Seeger | Seeger | |
| 16 | 6 | 12818700/0 | Skruv | Screw | |
| 17 | 6 | 12154210/0 | Mutter | Nut | |
| 18 | 2 | 25463200/0 | Knivfäste | Blade Hub | |
| 19 | 2 | 12139100/0 | Kil | Feather, Crankshaft Ø 22.2 | |
| 20 | 1 | 82004350/0 | Kniv | Right Blade Mulching, Winged (Mod. 122) | |
| 21 | 1 | 82004349/0 | Kniv | Left Blade Mulching, Winged (Mod. 122) | |
| 22 | 2 | 22160400/0 | Dammskydd | Dust Cover | |
| 23 | 2 | 12523080/0 | Bricka | Washer | |
| 24 | 1 | 12735694/0 | Skruv | Screw | |
| 25 | 1 | 12735695/1 | Skruv | Screw | |
| 31 | 4 | 182700004/0 | Anti Scalp Wheel Ø 100 | Anti Scalp Wheel Ø 100 | |
| 32 | 4 | 125510121/0 | Stift | Pin | |
| 33 | 4 | 22450115/0 | Fjäder | Spring | |
| 34 | 4 | 12000930/0 | Avgasrör | Crown Fastener | |
| 41 | 1 | 82004343/0 | Kniv | Right Blade, Winged (Mod. 122) | |
| 42 | 1 | 82004342/0 | Kniv | Left Blade, Winged (Mod. 122) | |

ESTATE GRAND ROYAL

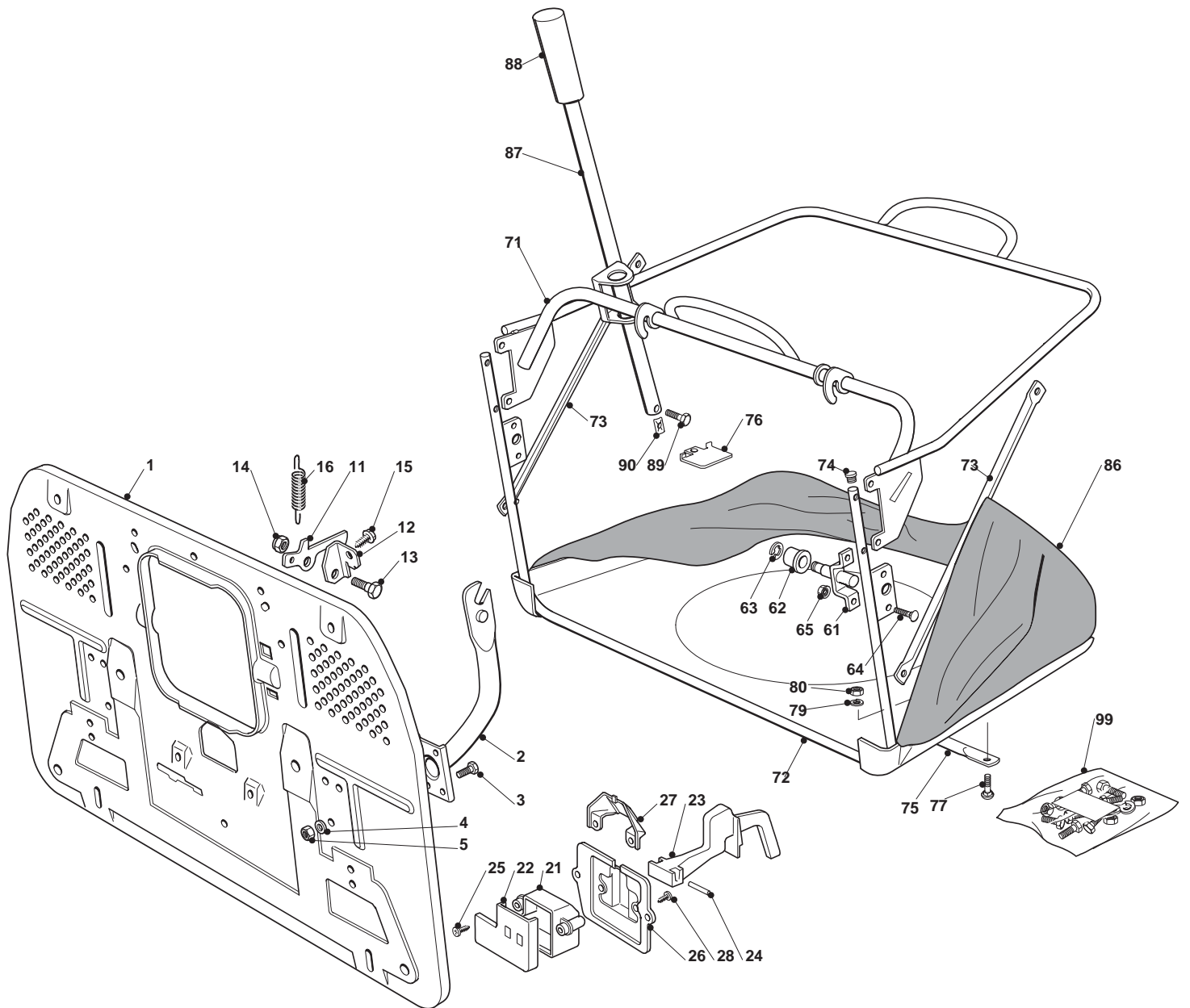




ESTATE GRAND ROYAL

| Pos. Fig. | Antal Quantity | Art No Part No | Benämning | Description | Anmärkning Notes |
|-----------|----------------|----------------|-----------------------|-----------------------|------------------|
| 1 | 2 | 25033060/0 | Water Hose Connection | Water Hose Connection | |
| 2 | 2 | 19035000/0 | O-ring | Or Ring | |
| 3 | 2 | 12500030/0 | Rivet | Rivet | |
| 9 | 1 | 382108020/0 | Inmatningstratt | Conveyor | |
| 10 | 2 | 25774373/0 | Fäste | Clamp | |
| 11 | 1 | 325060142/0 | Skydd | Protection | |
| 12 | 1 | 325060143/0 | Skydd | Protection | |
| 13 | 2 | 325774267/0 | Fäste | Clamp | |
| 14 | 2 | 325774423/0 | Fäste | Clamp | |
| 15 | 1 | 325774425/0 | Fäste | Clamp | |
| 16 | 1 | 325774421/0 | Fäste | Clamp | |

ESTATE GRAND ROYAL

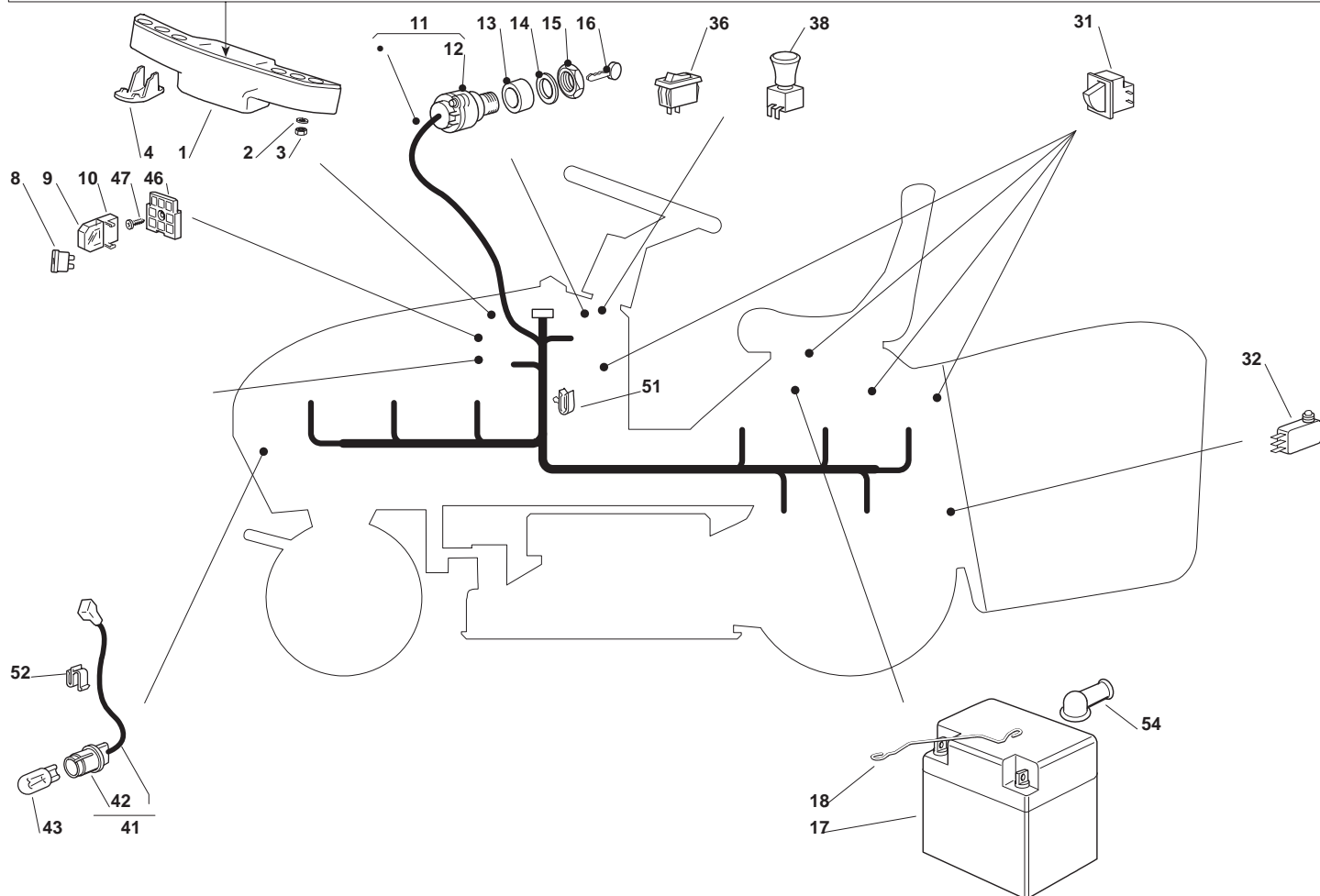
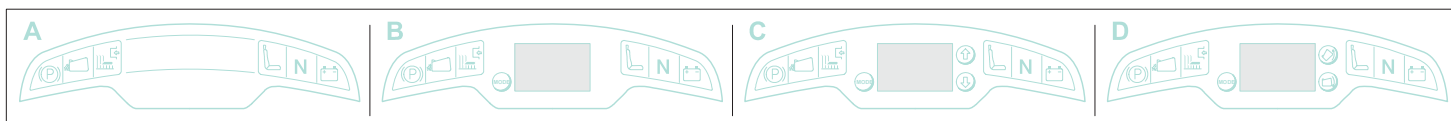




ESTATE GRAND ROYAL

| Pos. Fig. | Antal Quantity | Art No Part No | Benämning | Description | Anmärkning Notes |
|-----------|----------------|----------------|----------------------|------------------|------------------|
| 1 | 1 | 382547051/0 | Tavla | Plate | |
| 2 | 2 | 82774225/1 | Stöd | Support | |
| 3 | 6 | 12793102/0 | Skruv | Screw | |
| 4 | 6 | 12523060/0 | Bricka | Washer | |
| 5 | 6 | 12293201/0 | Mutter | Nut | |
| 11 | 1 | 325774417/0 | Fäste | Clamp | |
| 12 | 1 | 25755031/0 | Fästvinkel | Bracket | |
| 13 | 1 | 25510080/0 | Stift | Pin | |
| 14 | 1 | 12292102/0 | Mutter | Nut | |
| 15 | 1 | 12735122/0 | Skruv | Screw | |
| 16 | 1 | 27430579/0 | Fjäder | Spring | |
| 21 | 1 | 25600041/0 | Skydd | Micro Protection | |
| 22 | 1 | 25600042/0 | Överbelastningsskydd | Protection Cover | |
| 23 | 1 | 25318124/0 | Arm | Lever | |
| 24 | 1 | 12400030/0 | Stift | Pin | |
| 25 | 1 | 12728510/0 | Skruv | Screw | |
| 26 | 1 | 25785272/0 | Knivskydd | Micro Protection | |
| 27 | 1 | 25600048/0 | Överbelastningsskydd | Protection Cover | |
| 28 | 2 | 12728450/0 | Skruv | Screw | |
| 71 | 1 | 382800123/1 | Chassi | Upper Frame | |
| 72 | 1 | 382800089/1 | Front Frame | Front Frame | |
| 73 | 2 | 325650117/0 | Trådbygel | Stiffening | |
| 74 | 2 | 18566111/0 | | Cap | |
| 75 | 1 | 82650043/0 | Trådbygel | Lower Stiffening | |
| 76 | 1 | 25547131/0 | Trombocyt | Plate | |
| 77 | 6 | 12815210/0 | Skruv | Screw | |
| 79 | 2 | 12521330/0 | Bricka | Washer | |
| 80 | 2 | 12154510/0 | Mutter | Nut | |
| 86 | 1 | 182105948/0 | Uppsamlare | Grasscatcher | |
| 87 | 1 | 25869029/1 | Rör | Rod | |
| 88 | 1 | 25394508/0 | Handtag | Handle | |
| 89 | 1 | 12788800/0 | Skruv | Screw | |
| 90 | 1 | 112157000/0 | Mutter | Nut | |
| 99 | 1 | 382180110/0 | | Screws Outfit | |

ESTATE GRAND ROYAL

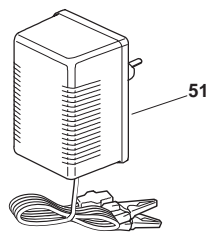
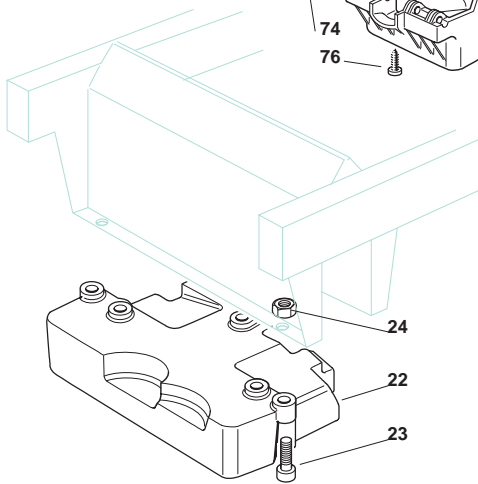
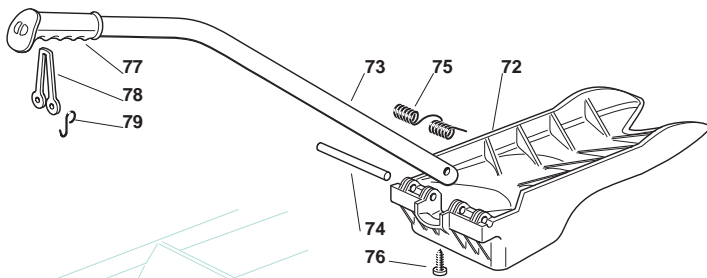
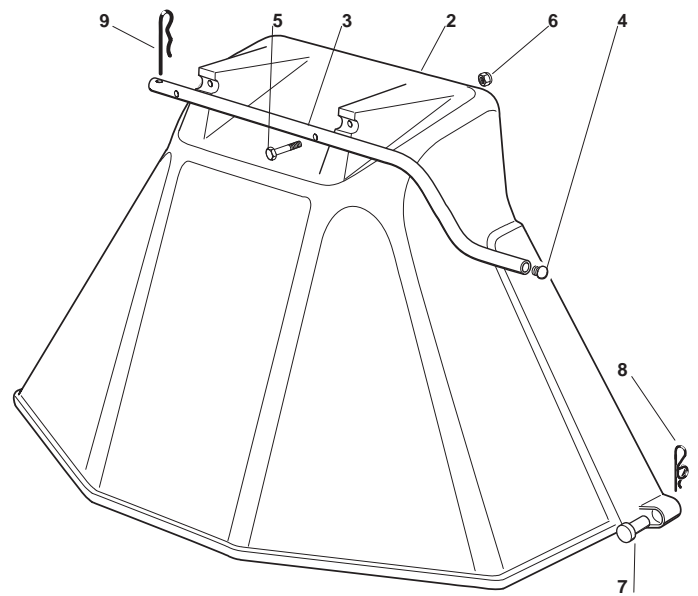
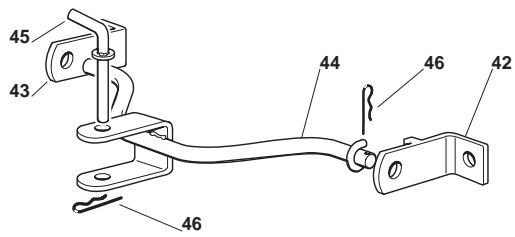




ESTATE GRAND ROYAL

| Pos. Fig. | Antal Quantity | Art No Part No | Benämning | Description | Anmärkning Notes |
|-----------|----------------|----------------|---------------------|-------------------------|------------------|
| 1 | 1 | 382722421/2 | Cards + Guards (B) | Cards + Guards (B) | |
| 2 | 2 | 12521320/0 | Bricka | Washer | |
| 3 | 2 | 12154330/0 | Mutter | Nut | |
| 4 | 1 | 25031501/0 | Deflektor | Deflector | |
| 8 | 1 | 33340036/0 | Säkring | Fuse 25 A | |
| 8 | 1 | 33340040/0 | Säkring | Fuse 10A | |
| 9 | 2 | 33215000/0 | Kåpa | Cover | |
| 10 | 2 | 33500007/0 | Säkring | Fuse Carrier | |
| 11 | 1 | 182040147/0 | Kabel | Cables Ass.Y | |
| 12 | 1 | 18450072/0 | Brytare | Starting Switch | |
| 13 | 1 | 18550136/0 | Distans | Spacer | |
| 14 | 1 | 18550135/0 | Bricka | Washer | |
| 15 | 1 | 18400862/0 | Ringmutter | Ringnut | |
| 16 | 1 | 18210022/0 | Starting Key | Starting Key | |
| 17 | 1 | 18120002/1 | Batteri | Battery | |
| 18 | 1 | 25430230/0 | Fjäder | Spring | |
| 31 | 3 | 119410615/0 | Brytare | Micro | |
| 32 | 1 | 19410605/1 | Brytare | Full Grasscat. Microsw. | |
| 36 | 1 | 18450060/1 | Farilamp Switch | Farilamp Switch | |
| 38 | 1 | 18450068/0 | Kopplingshus | Clutch Switch | |
| 41 | 1 | 82040073/0 | Kabel | Cable | |
| 42 | 2 | 33500030/0 | Lamp Holder | Lamp Holder | |
| 43 | 2 | 18459100/0 | Farilamp For Lights | Farilamp For Lights | |
| 44 | 1 | 12361005/0 | Mutter | Nut | |
| 46 | 1 | 133500010/1 | Trombocyt | Plate | |
| 47 | 1 | 12735170/0 | Skruv | Screw | |
| 51 | 5 | 33320506/0 | Kabelhållare | Fairled | |
| 52 | 1 | 33320504/0 | Kabelhållare | Fairled | |
| 54 | 1 | 18564864/1 | Tätningshylsa | Protection | |

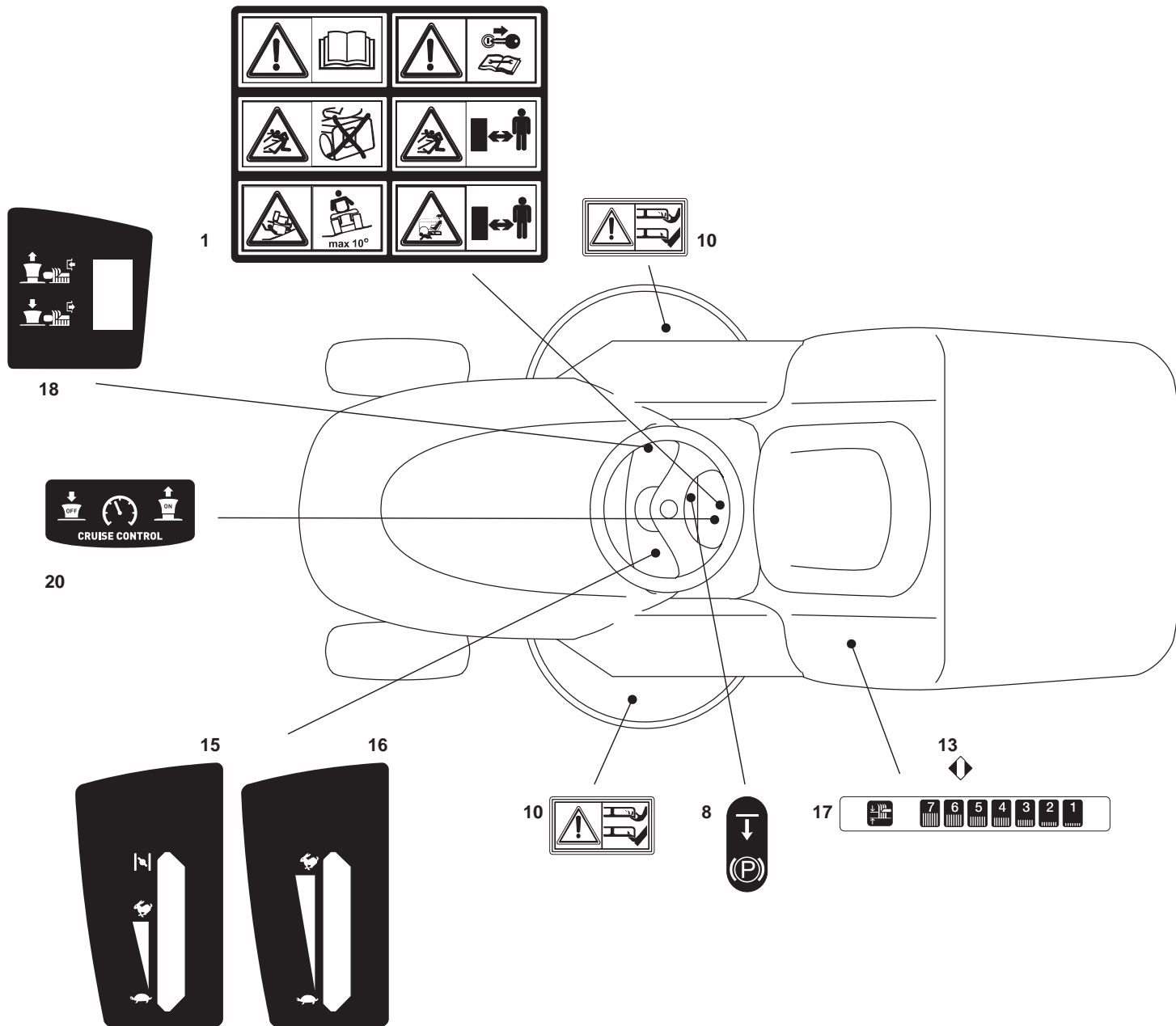
ESTATE GRAND ROYAL





ESTATE GRAND ROYAL

| Pos. Fig. | Antal Quantity | Art No Part No | Benämning | Description | Anmärkning Notes |
|-----------|----------------|----------------|----------------|-----------------------------|------------------|
| 2 | 1 | 82400003/1 | Avsluta Skydd | Ejection Guard | |
| 3 | 1 | 25869043/0 | Support | Support | |
| 4 | 2 | 18566112/0 | Plugg | Cap | |
| 5 | 2 | 12689515/0 | Skruv | Screw | |
| 6 | 2 | 12154510/0 | Mutter | Nut | |
| 7 | 2 | 25510022/0 | Stift | Pin | |
| 8 | 2 | 24487998/0 | Låsnål | Cotter Pin | |
| 9 | 1 | 24487999/0 | Låsnål | Cotter Pin | |
| 22 | 1 | 25519997/1 | Weight | Weight | |
| 23 | 3 | 12760520/0 | Skruv | Screw | |
| 24 | 3 | 12155000/0 | Mutter | Nut | |
| 42 | 1 | 82735502/0 | Fäste | Bracket Right Hitch Support | |
| 43 | 1 | 25774213/0 | Fäste | Bracket Left Hitch Support | |
| 44 | 1 | 382033105/1 | Stång | Rod | |
| 45 | 1 | 25510021/1 | Stift | Pin | |
| 46 | 2 | 24487999/0 | Låsnål | Cotter Pin | |
| 51 | 1 | 82180050/0 | Batteriladdare | Battery Charger | |
| 72 | 1 | 25140092/0 | Deflektor | Deflector | |
| 73 | 1 | 25394005/0 | Styre | Handle | |
| 74 | 1 | 25510077/0 | Stift | Pin | |
| 75 | 1 | 25430245/0 | Fjäder | Spring | |
| 76 | 1 | 12735405/0 | Skruv | Screw | |
| 77 | 1 | 25280000/1 | Handtag | Handgrip | |
| 78 | 1 | 25840011/1 | Stång | Elastic Tie-Rod | |
| 79 | 2 | 25253004/0 | Hake | Hook | |

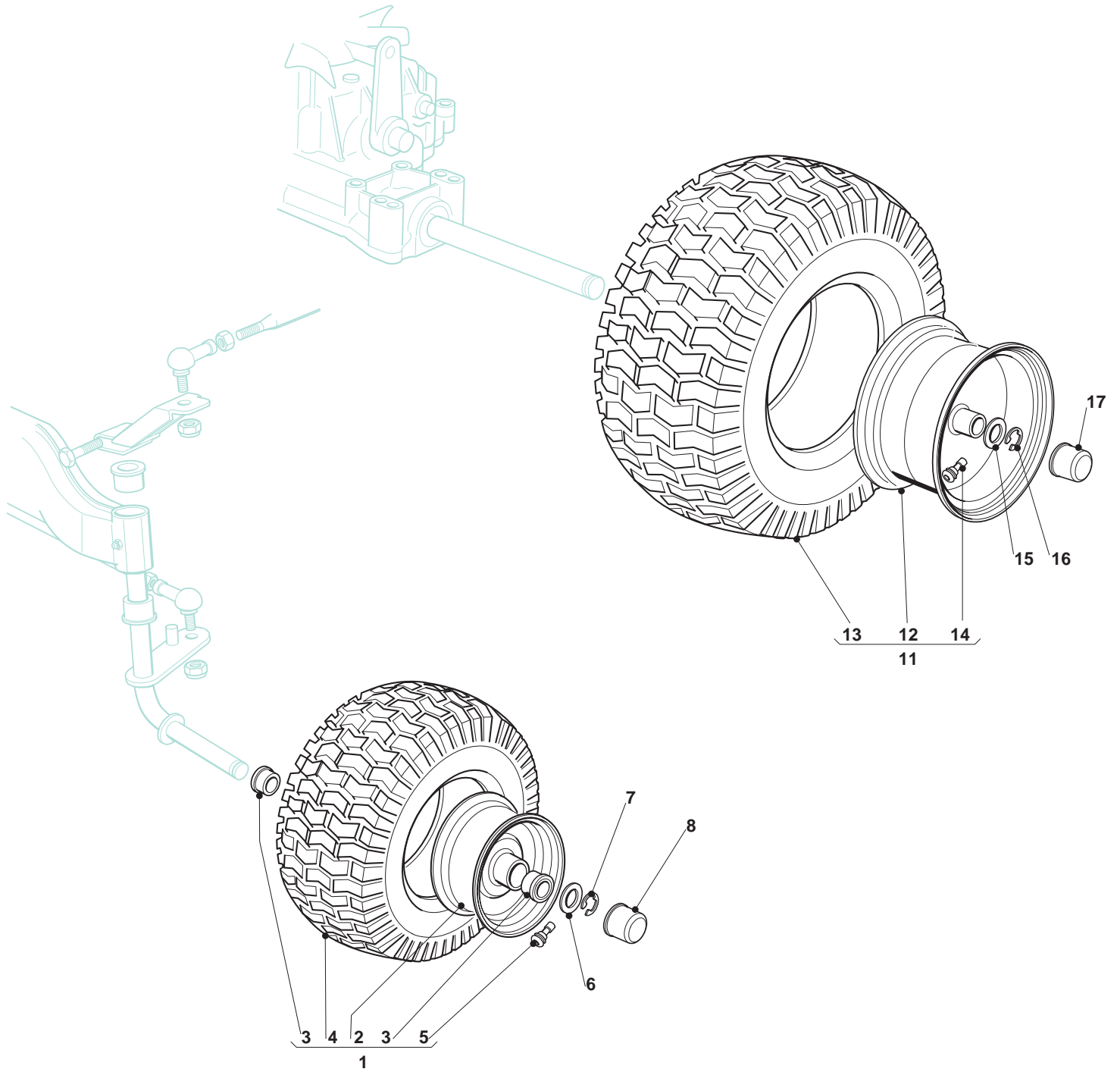




ESTATE GRAND ROYAL

| Pos. Fig. | Antal Quantity | Art No Part No | Benämning | Description | Anmärkning Notes |
|-----------|----------------|----------------|-----------|-------------|------------------|
| 1 | 1 | 114357428/1 | Dekal | Label | |
| 8 | 1 | 114357526/1 | Dekal | Label | |
| 10 | 2 | 114356699/1 | Dekal | Label | |
| 13 | 1 | 14357913/0 | Dekal | Label | |
| 15 | 1 | 14360717/0 | Dekal | Label | |
| 16 | 1 | 14360716/0 | Dekal | Label | |
| 17 | 1 | 14360719/0 | Dekal | Label | |
| 18 | 1 | 14360715/2 | Dekal | Label | |

ESTATE GRAND ROYAL





ESTATE GRAND ROYAL

| Pos. Fig. | Antal Quantity | Art No Part No | Benämning | Description | Anmärkning Notes |
|-----------|----------------|----------------|--------------|----------------|------------------|
| 1 | 2 | 82680008/1 | Framhjul Kpl | Front Wheel | |
| 2 | 2 | 82000590/1 | Rimm | Rimm | |
| 3 | 4 | 25122200/2 | Kullager | Bearing | |
| 4 | 2 | 27590053/0 | Dack | Shoe Deli Tire | |
| 5 | 2 | 25950000/0 | Ventil | Valve | |
| 6 | 2 | 25670005/1 | Bricka | Washer | |
| 7 | 2 | 12001000/0 | Låsring | Snap Ring | |
| 8 | 2 | 22110230/0 | Huvstöd | Cap | |
| 11 | 2 | 82680006/0 | Bakrehjul | Rear Wheel | |
| 12 | 2 | 82000592/0 | Rimm | Rimm | |
| 13 | 2 | 25590003/0 | Dack | Tire | |
| 14 | 2 | 25950000/0 | Ventil | Valve | |
| 15 | 2 | 25670005/1 | Bricka | Washer | |
| 16 | 2 | 12001010/0 | Låsring | Benzing | |
| 17 | 2 | 22110230/0 | Huvstöd | Cap | |