

Genuine Spare Parts

www.stiga.com

ESTATE TORNADO PRO HST - 2T0610381/11 Model Year 2011

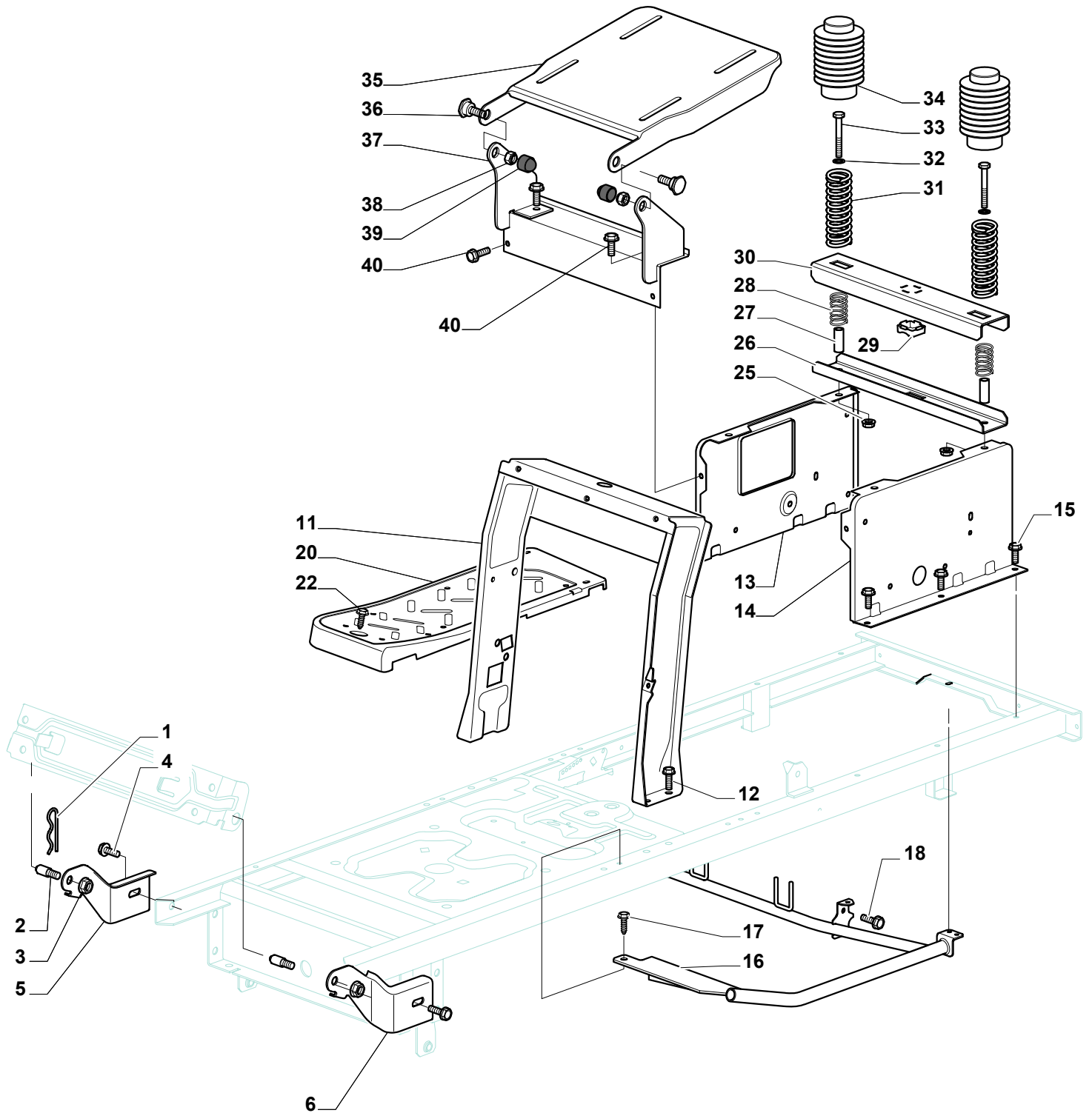
- Use GLOBAL GARDEN PRODUCT Genuine Spare Parts specified in the parts list for repair and/or replacement.
- The contents described in the parts list may change due to improvement.
- The drawings of the spare parts are only indicative and might not represent the part in question exactly.
- The indications "right" - "left" - "front" - "rear" refer to the position of the operator when using the machine.
- When placing orders of parts for repair and/or replacement, make sure that the illustrated parts list is the one applying to the machine's year of manufacture, as shown on the identification plate attached to the machine.

COPYRIGHT by GLOBAL GARDEN PRODUCTS

All rights reserved. No part of this material may be reproduced or transmitted, in any form or by any means, electronic or mechanical, including photocopying, recording or by any information storage and retrieval system, without permission in writing from GLOBAL GARDEN PRODUCTS.



ESTATE TORNADO PRO HST

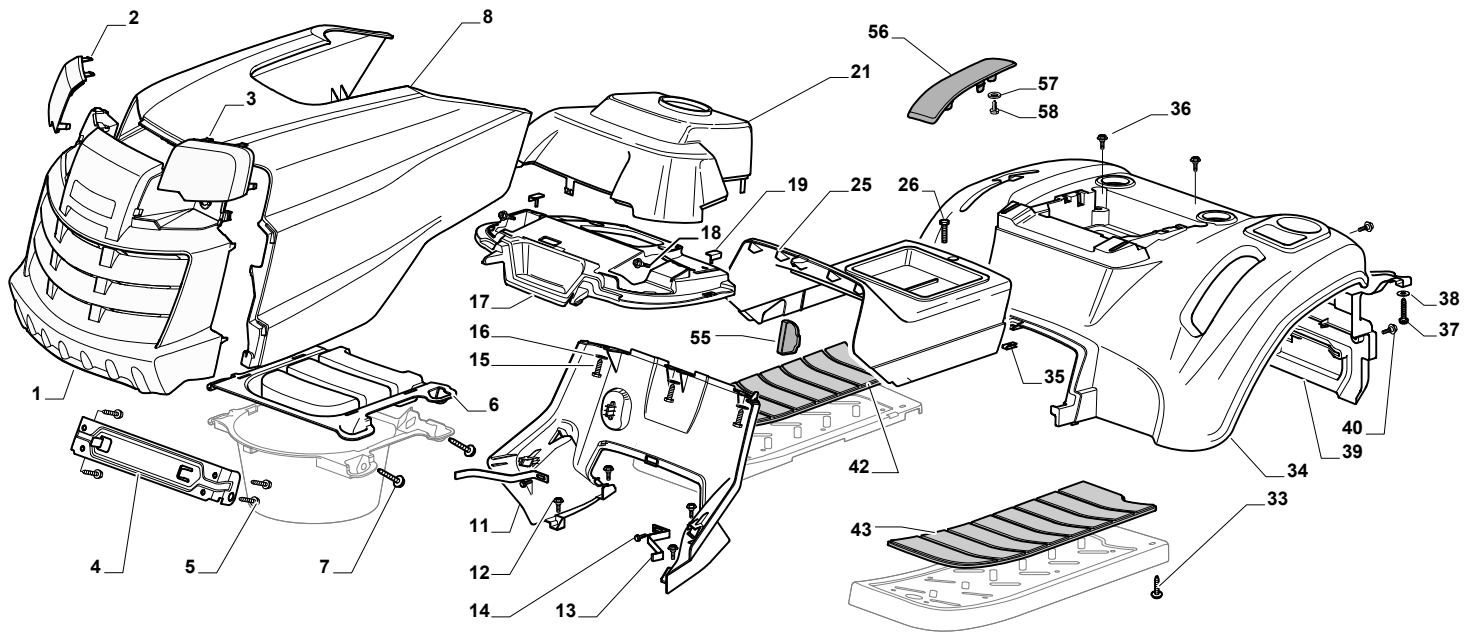




ESTATE TORNADO PRO HST

Pos. Fig.	Antal Quantity	Art No Part No	Benämning	Description	Anmärkning Notes
1	1	24487998/0	Låsnål	Cotter Pin	
2	2	25510079/0	Stift	Pin	
3	2	12154210/0	Mutter	Nut	
4	2	12735599/0	Skruv	Screw	
5	1	325547225/0	Trombocyt-hö	Right Plate	
6	1	325547227/0	Trombocyt-vä	Left Plate	
11	1	382785169/1	Stöd	Steering Column Support	
12	4	125943009/0	Skruv	Screw	
13	1	325785331/0	Stöd	Right Seat Support	
14	1	325785333/0	Stöd	Left Seat Support	
15	6	125943009/0	Skruv	Screw	
16	1	382785179/0	Fotsteg Stöd	Footboard Support	
17	2	125943009/0	Skruv	Screw	
18	2	125943009/0	Skruv	Screw	
20	1	325500041/1	Fotsteg-hö	Right Footboard	
21	1	325500043/1	Fotsteg-Vä	Left Footboard	
22	2	12735599/0	Skruv	Screw	
25	2	12293201/0	Mutter	Nut	
26	1	325820109/0	Seat Support	Seat Support	
27	2	125160048/0	Distans	Spacer	
28	2	125430263/0	Fjäder	Spring	
29	1	325060038/0	Fäste	Cam	
30	1	325820105/0	Stöd	Support	
31	2	125430264/0	Fjäder	Spring	
32	2	12521350/0	Bricka	Washer	
33	2	12691400/0	Skruv	Right Screw	
34	2	325122002/0	Hood	Hood	
35	1	382547061/0	Tavla	Plate	
36	2	22524970/2	Stift	Pin	
37	1	382820151/0	Seat Support	Seat Support	
38	2	12155010/0	Mutter	Nut	
39	2	118203854/0	Tätningshylsa	Protection	
40	4	125943009/0	Skruv	Screw	

ESTATE TORNADO PRO HST

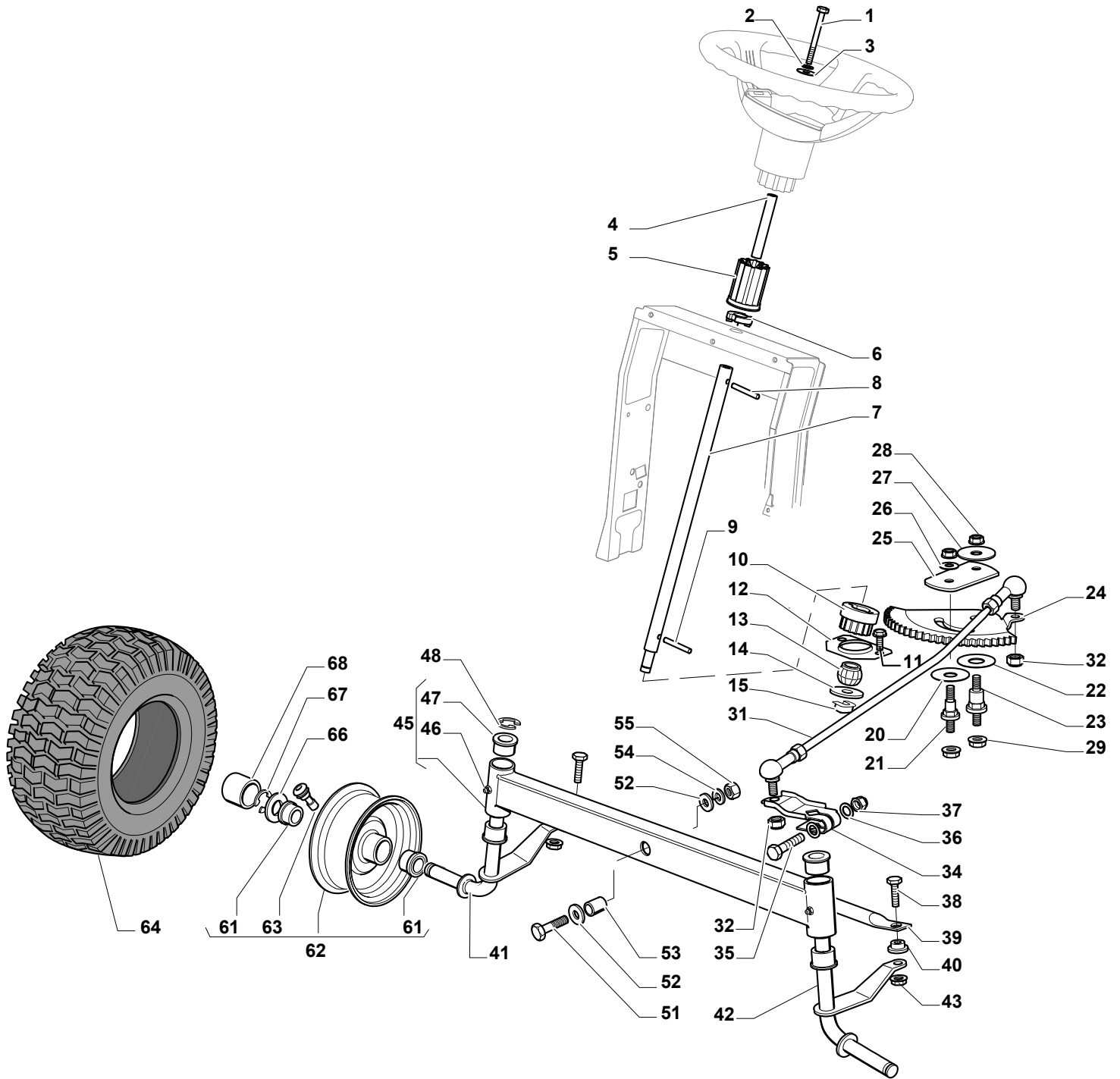




ESTATE TORNADO PRO HST

Pos. Fig.	Antal Quantity	Art No Part No	Benämning	Description	Anmärkning Notes
1	1	325076914/0	Hood, Front	Hood, Front	
2	1	325410903/0	Frontkåpa-hö	Right Grill	
3	1	325410904/0	Frontkåpa-vä	Left Grill	
4	1	325785365/0	Motorhuv	Engine Hood Support	
5	4	12735403/0	Skruv	Screw	
6	1	325263302/1	Air Intake Grill	Air Intake Grill	
7	4	112728692/0	Skruv	Screw	
8	1	325076912/0	Engine Hood	Engine Hood	
11	1	325785298/0	Instrumentbrädal-Stöd	Dashboard Support	
12	4	125943010/0	Skruv	Screw	
13	2	325270325/0	Guide	Guide	
14	2	12735599/0	Skruv	Screw	
15	3	112735406/0	Skruv	Screw	
16	3	12523040/0	Bricka	Washer	
17	1	325120202/1	Instrumentbräda	Dashboard	
18	2	125943010/0	Skruv	Screw	
19	2	325260003/0	Hylsa	Grommet	
21	1	325120203/0	Kåpa	Cover	
25	1	325110396/1	Kåpa-gul	Cover, Yellow	
26	1	125943010/0	Skruv	Screw	
33	4	112735406/0	Skruv	Screw	
34	1	325110399/0	Wheels Cover Yellow	Wheels Cover Yellow	
35	1	112437506/0	Trombocyt	Plate	
36	2	125943010/0	Skruv	Screw	
37	2	112735406/0	Skruv	Screw	
38	2	12523040/0	Bricka	Washer	
39	1	325547208/1	Tavla	Plate	
40	2	125943010/0	Skruv	Screw	
42	1	325110384/0	Fotsteg-hö täcka	Right Footboard Cover	
43	1	325110385/0	Fotsteg-Vä täcka	Left Footboard Cover	
56	1	325207190/0	Skyddsplåt	Cover	
57	4	12523050/0	Bricka	Washer	
58	2	12735403/0	Skruv	Screw	

ESTATE TORNADO PRO HST

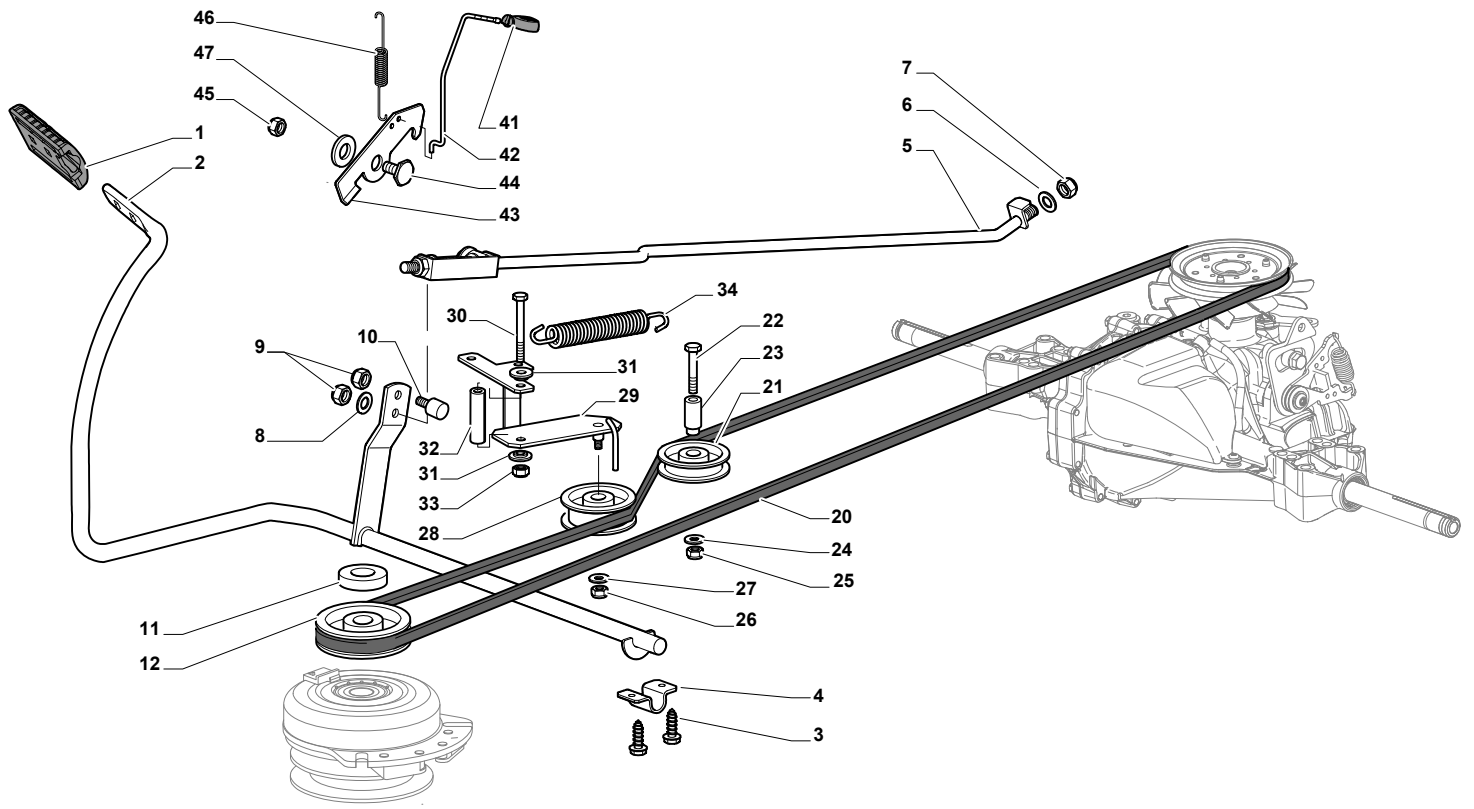




ESTATE TORNADO PRO HST

Pos. Fig.	Antal Quantity	Art No Part No	Benämning	Description	Anmärkning Notes
1	1	12692050/0	Skruv	Screw	
2	1	12540260/0	Bricka	Washer	
3	1	12523070/0	Bricka	Washer	
4	1	125160047/0	Distans	Spacer	
5	1	325785318/0	Stöd	Support	
6	1	325038008/0	Bussning	Bush	
7	1	125520007/0	Steering Column	Steering Column	
8	1	112620300/0	Stift	Pin	
9	1	12622650/0	Stift	Pin	
10	1	125570003/0	Drev	Pinion	
11	2	27943051/0	Skruv	Screw	
12	1	325785213/1	Stöd	Support	
13	1	25743000/0	Ledkåpa, Vå+Hö	Joint	
14	1	12521370/0	Bricka	Washer	
15	1	12436030/0	Trombocyt	Plate	
20	1	22672151/0	Bricka	Washer	
21	1	125510104/0	Stift	Pin	
22	1	125670023/0	Bricka	Washer	
23	1	125510109/0	Stift	Pin	
24	1	325735519/0	Steering Shaft	Steering Shaft	
25	1	325547233/0	Tavla	Plate	
26	1	12369500/0	Bricka	Washer	
27	1	22160400/0	Dammskydd	Dust Cover	
28	2	12155010/0	Mutter	Nut	
29	2	12154210/0	Mutter	Nut	
31	1	382000566/0	Stång	Steering Rod	
32	2	12156602/0	Mutter	Nut	
34	1	325318243/0	Spak	Lever	
35	1	12692390/0	Skruv	Screw	
36	2	12521360/0	Bricka	Washer	
37	1	12156602/0	Mutter	Nut	
38	2	125510103/0	Stift	Pin	
39	1	325840029/0	Gasreglagelänk	Tie Rod	
40	2	325038007/0	Bussning	Bush	
41	1	382230373/0	Right Stub Axle	Right Stub Axle	
42	1	382230375/0	Left Stub Axle	Left Stub Axle	
43	2	12155000/0	Mutter	Nut	
45	1	382034030/0	Equalizer With Bush (With 36 + 37)	Equalizer With Bush And Lubricator	
46	2	12379511/0	Smörjnippl	Grease Dispenser	
47	4	25034002/1	Bussning	Brass	
48	1	12001010/0	Låsring	Benzing	
51	1	12692695/0	Skruv	Screw	
52	2	12523100/0	Bricka	Washer	
53	1	25160016/0	Distans	Spacer	
54	1	12587100/0	Bricka	Washer	
55	1	12295300/0	Mutter	Nut	
61	4	25122200/2	Kullager	Bearing	
62	2	182000598/0	Rimm	Rimm	
63	2	25950000/0	Ventil	Valve	
64	2	127590066/0	Dack	Tire	
66	2	25670005/1	Bricka	Washer	
67	2	12001010/0	Låsring	Benzing	
68	2	322110233/0	Navkapsel	Hub Cover	

ESTATE TORNADO PRO HST

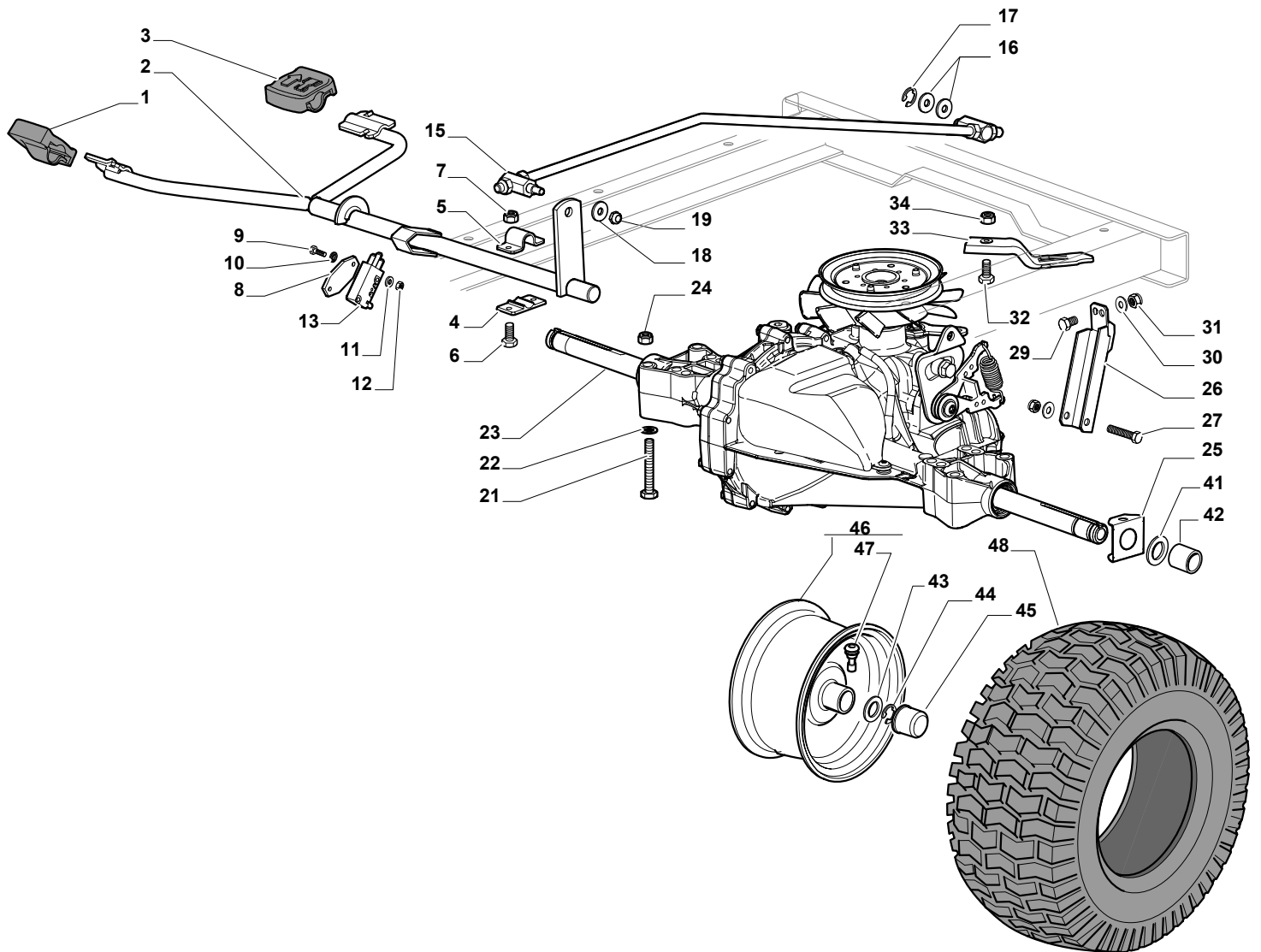




ESTATE TORNADO PRO HST

Pos. Fig.	Antal Quantity	Art No Part No	Benämning	Description	Anmärkning Notes
1	1	325110409/0	Clamp Cover	Clamp Cover	
2	1	382000575/0	Pedal	Pedal	
3	4	12735599/0	Skruv	Screw	
4	2	325547231/0	Trombocyt	Plate	
5	1	382000576/0	Länk	Rod	
6	1	12521360/0	Bricka	Washer	
7	1	12156602/0	Mutter	Nut	
8	1	25670011/0	Bricka	Washer	
9	2	12155000/0	Mutter	Nut	
10	1	125510116/0	Stift	Pin	
11	1	25160021/0	Distans	Spacer	
12	1	125601577/0	Remskiva	Pulley	
13	2	12524010/0	Bricka	Washer	
20	1	135062003/0	Drivrem	Belt	
21	1	25601555/0	Remskiva	Pulley	
22	1	12691400/0	Skruv	Right Screw	
23	1	125160051/0	Distans	Spacer	
24	1	12523060/0	Bricka	Washer	
25	1	12155000/0	Mutter	Nut	
26	1	12155000/0	Mutter	Nut	
27	1	12523060/0	Bricka	Washer	
28	1	25601554/0	Remskiva	Pulley	
29	1	382318245/0	Spak	Lever	
30	1	12691600/0	Skruv	Screw	
31	2	25038002/1	Bussning	Bush	
32	1	25160027/0	Distans	Spacer	
33	1	12155000/0	Mutter	Nut	
34	1	125430262/0	Fjäder	Spring	
41	1	325394534/0	Knopp	Knob	
42	1	125033083/0	Länk	Rod	
43	1	325253011/0	Hake	Hook	
44	1	22524970/2	Stift	Pin	
45	1	12155000/0	Mutter	Nut	
46	1	25430213/0	Fjäder	Spring	
47	1	12523060/0	Bricka	Washer	

ESTATE TORNADO PRO HST

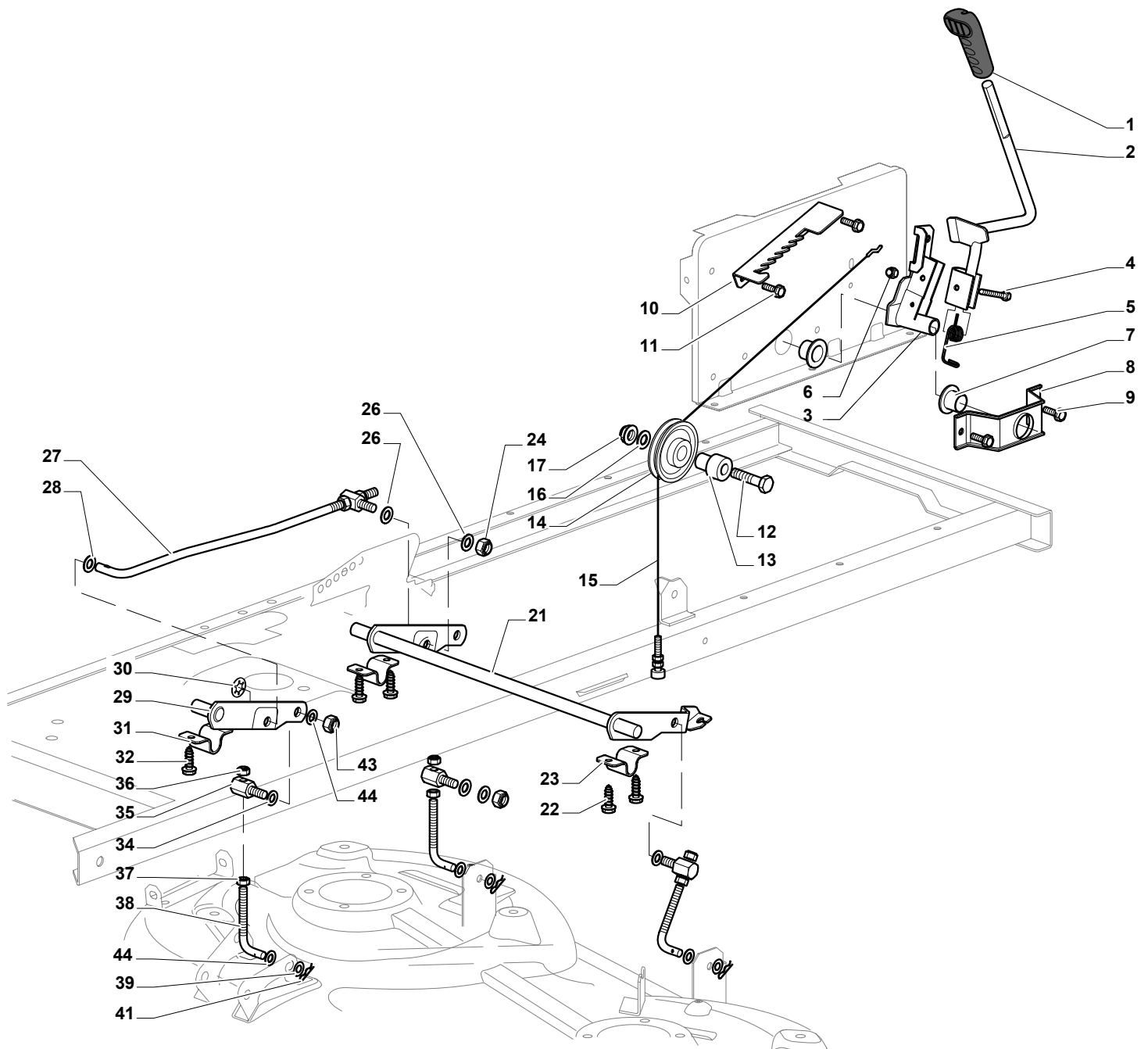




ESTATE TORNADO PRO HST

Pos. Fig.	Antal Quantity	Art No Part No	Benämning	Description	Anmärkning Notes
1	1	25110274/0	Clamp Cover Front	Clamp Cover Front	
2	1	382000574/0	Drive Pedal	Drive Pedal	
3	1	25110331/0	Clamp Cover Rear	Clamp Cover Rear	
4	2	325785350/0	Stöd	Support	
5	2	325547231/0	Trombocyt	Plate	
6	4	12791213/1	Skruv	Screw	
7	4	12154510/0	Mutter	Nut	
8	1	27546019/0	Trombocyt	Plate	
9	2	12735602/0	Skruv	Screw	
10	2	12540020/0	Bricka	Washer	
11	2	12581100/0	Bricka	Grower	
12	2	12290791/0	Mutter	Nut	
13	1	19410609/0	Neutral Switch (Hydro)	Neutral Switch (Hydro)	
15	1	382000573/0	Länk	Rod	
16	2	25670011/0	Bricka	Washer	
17	1	12000955/0	Låsring	Circlip	
18	1	12523040/0	Bricka	Washer	
19	1	12154510/0	Mutter	Nut	
21	4	12691600/0	Skruv	Screw	
22	4	12521350/0	Bricka	Washer	
23	1	118400919/0	Rear Axle (Hydro-Gear T2-Aded-2X3C-1Pa1)	Rear Axle (Hydro-Gear T2-Aded-2X3C-1Pa1)	
23	1	118400919/1	Rear Axle Hydro-Gear T2-Adbf-2X3C-1Px1	Rear Axle Hydro-Gear T2-Adbf-2X3C-1Px1	
24	4	12155000/0	Mutter	Nut	
25	2	325670026/0	Bricka	Washer	
26	1	325785349/0	Stöd	Support	
27	1	12691700/0	Skruv	Screw	
29	1	12792611/0	Skruv	Screw	
30	2	12523060/0	Bricka	Washer	
31	2	12155000/0	Mutter	Nut	
32	1	12791213/1	Skruv	Screw	
33	1	325318251/0	Spak	Lever	
34	1	12154510/0	Mutter	Nut	
41	2	25670005/1	Bricka	Washer	
42	2	125160055/0	Distans	Spacer	
43	6	25670005/1	Bricka	Washer	
44	2	12001010/0	Låsring	Benzing	
45	2	322110233/0	Navkapsel	Hub Cover	
46	2	382000597/0	Rimm	Rimm	
47	2	25950000/0	Ventil	Valve	
48	2	125590015/0	Dack	Shoe	

ESTATE TORNADO PRO HST

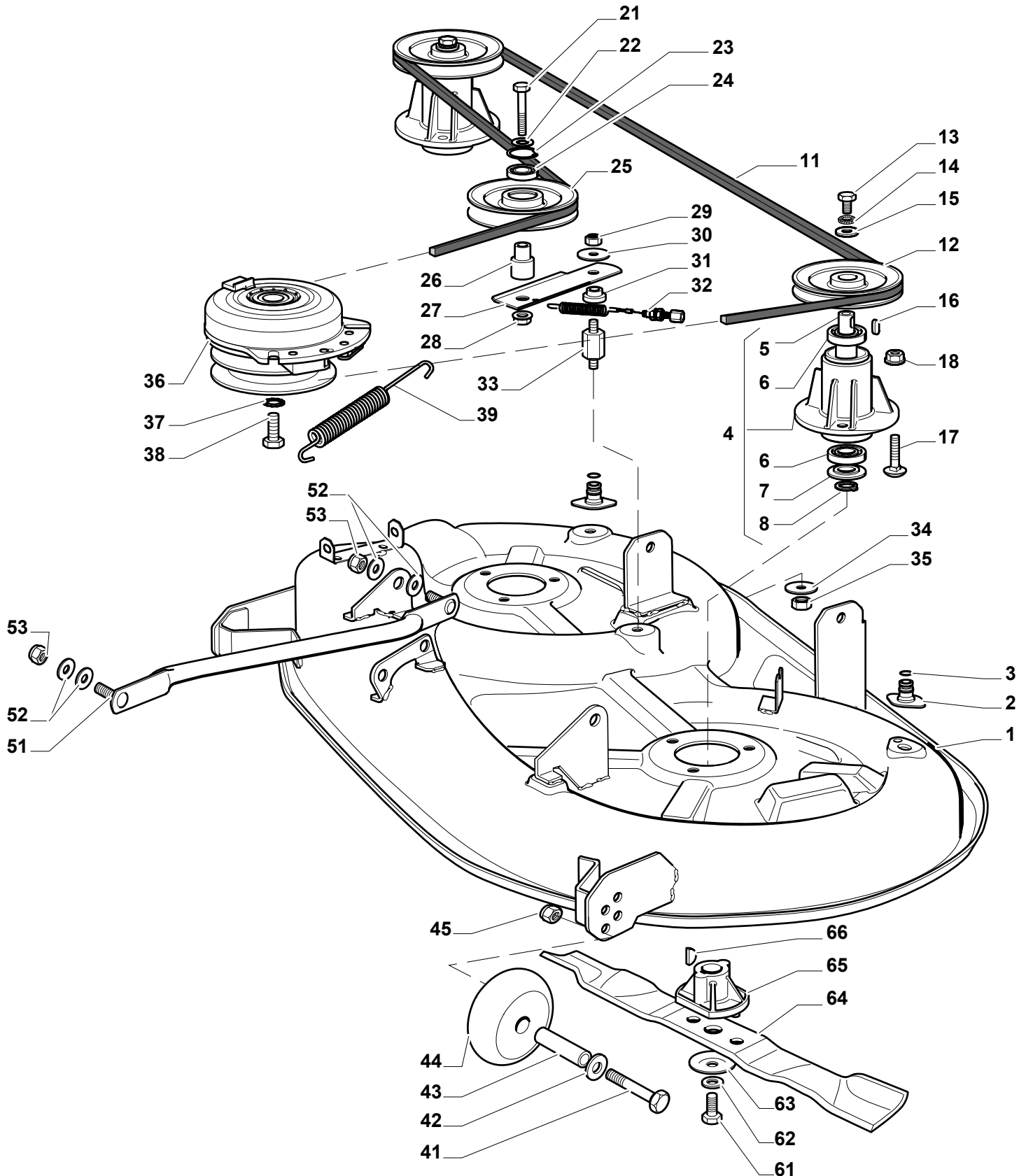




ESTATE TORNADO PRO HST

Pos. Fig.	Antal Quantity	Art No Part No	Benämning	Description	Anmärkning Notes
1	1	325394533/0	Knopp	Knob	
2	1	382318229/0	Spak	Lever	
3	1	382318231/0	Axel	Axle	
4	1	12674700/0	Skruv	Screw	
5	1	125430261/0	Fjäder	Spring	
6	1	12154510/0	Mutter	Nut	
7	2	325038006/0	Bussning	Bush	
8	1	325785297/0	Stöd	Support	
9	2	125943009/0	Skruv	Screw	
10	1	325735515/0	Steering Shaft	Steering Shaft	
11	2	125943009/0	Skruv	Screw	
12	1	12793701/0	Skruv	Screw	
13	1	125040636/0	Bussning	Bush	
14	1	125601579/0	Remskiva	Pulley	
15	1	382004620/0	Kabel	Wire	
16	1	12523060/0	Bricka	Washer	
17	1	12293201/0	Mutter	Nut	
21	1	382318239/0	Axel	Axle	
22	4	12735599/0	Skruv	Screw	
23	2	325547231/0	Trombocyt	Plate	
24	1	12155000/0	Mutter	Nut	
26	2	25670011/0	Bricka	Washer	
27	1	382000569/0	Vevstake	Connecting Rod	
28	1	12521350/0	Bricka	Washer	
29	1	382318237/0	Axel	Axle	
30	1	12604899/0	Låsbricka	Crown Fastener	
31	1	325547231/0	Trombocyt	Plate	
32	2	12735599/0	Skruv	Screw	
34	3	25670008/1	Bricka	Washer	
35	3	125510107/1	Stift	Pin	
36	3	12156602/0	Mutter	Nut	
37	3	12295200/0	Mutter	Nut	
38	3	25840012/0	Stång	Tie Rod	
39	3	12523060/0	Bricka	Washer	
41	3	24487998/0	Låsnål	Cotter Pin	
43	3	12156602/0	Mutter	Nut	
44	6	25670008/1	Bricka	Washer	

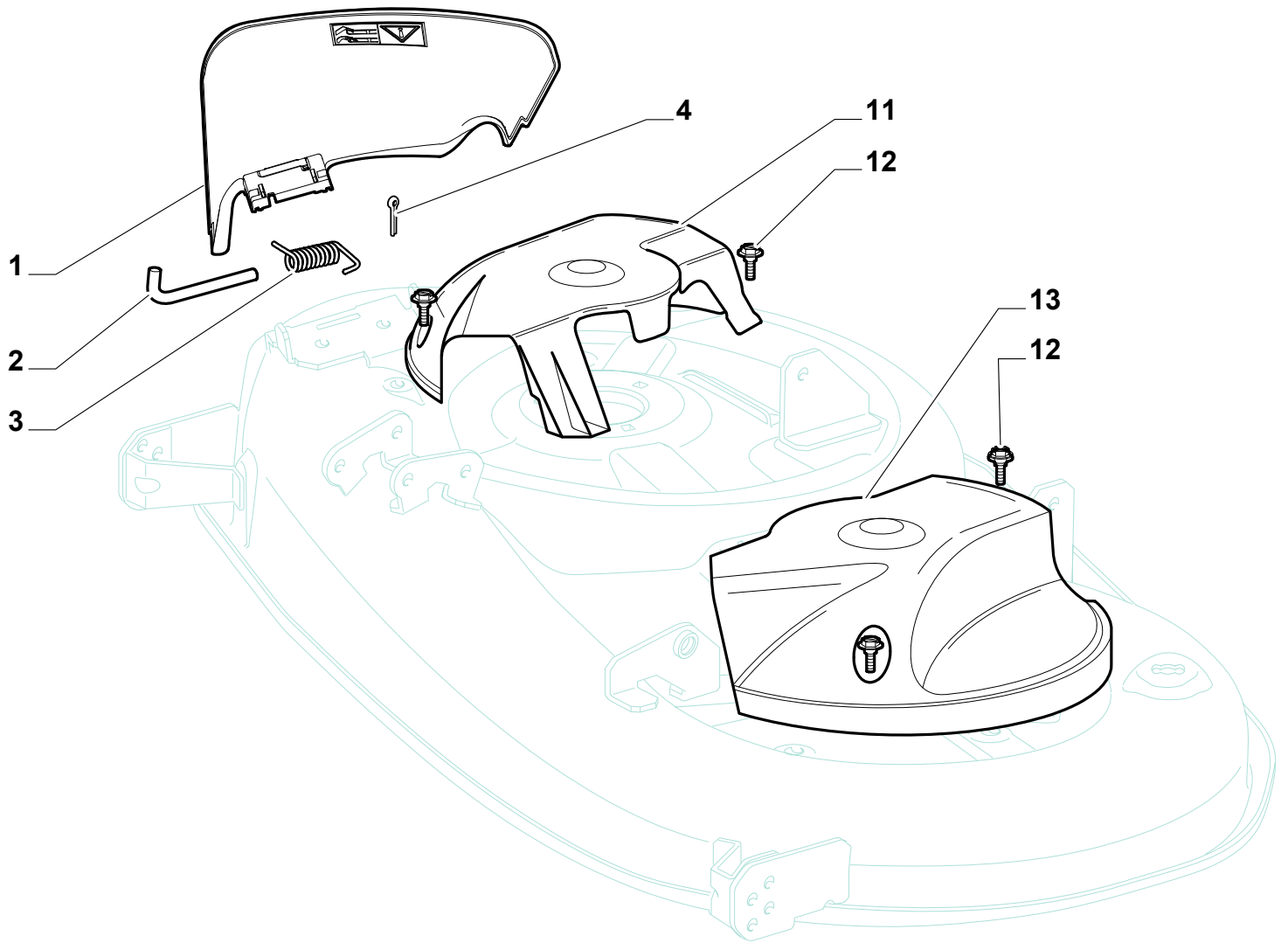
ESTATE TORNADO PRO HST





ESTATE TORNADO PRO HST

Pos. Fig.	Antal Quantity	Art No Part No	Benämning	Description	Anmärkning Notes
1	1	382564209/0	Plate	Plate	
2	2	325033086/0	Water Hose Connection	Water Hose Connection	
3	2	19035000/0	O-ring	Or Ring	
4	2	382207204/0	Oljefilter	Flange Ass.Y	
5	2	125020804/0	Vevaxel	Shaft	
6	4	119216047/0	Kullager	Bearing	
7	2	25160501/0	Dammskydd	Dust Cover	
8	2	12609260/0	Seeger	Seeger	
11	1	135061504/0	Drivrem	Belt	
12	2	25601571/0	Remskiva	Pulley	
13	2	12793102/0	Skruv	Screw	
14	2	12540260/0	Bricka	Washer	
15	2	25670007/0	Bricka	Washer	
16	2	12139480/0	Kil	Feather	
17	6	12818690/0	Skruv	Screw	
18	6	12154210/0	Mutter	Nut	
21	1	12691400/0	Skruv	Right Screw	
22	1	12524010/0	Bricka	Washer	
23	1	12610800/0	Seegerring	Seeger	
24	1	119216048/0	Kullager	Bearing	
25	1	125601586/0	Remskiva	Pulley	
26	1	125160052/0	Distans	Spacer	
27	1	325318232/0	Spak	Lever	
28	1	12293201/0	Mutter	Nut	
29	1	12155020/0	Mutter	Nut	
30	1	125670022/0	Bricka	Washer	
31	1	125040635/0	Bussning	Bush	
32	1	82004618/0	Kabel	Wire	
33	1	125160049/0	Distans	Spacer	
34	1	12523080/0	Bricka	Washer	
35	1	12156602/0	Mutter	Nut	
36	1	118399063/0	Koppling	Clutch	
37	1	12543000/0	Bricka	Washer	
38	1	12737320/0	Skruv	Screw	
39	1	22430216/0	Fjäder	Spring	
41	2	12692050/0	Skruv	Screw	
42	2	12523060/0	Bricka	Washer	
43	2	25510072/0	Distans	Spacer	
44	2	82700001/0	Stödhjul	Anti Scalp Wheel Ø 100	
45	2	12293201/0	Mutter	Nut	
51	2	382000565/0	Equalizer Rod	Equalizer Rod	
52	8	25670008/1	Bricka	Washer	
53	4	12156602/0	Mutter	Nut	
61	2	12735694/0	Skruv	Screw	
62	2	12523080/0	Bricka	Washer	
63	2	22160400/0	Dammskydd	Dust Cover	
64	2	82004346/0	Kniv	Right Blade Mulching	
65	2	25463200/0	Knivfäste	Blade Hub	
66	2	12139100/0	Kil	Feather, Crankshaft Ø 22.2	

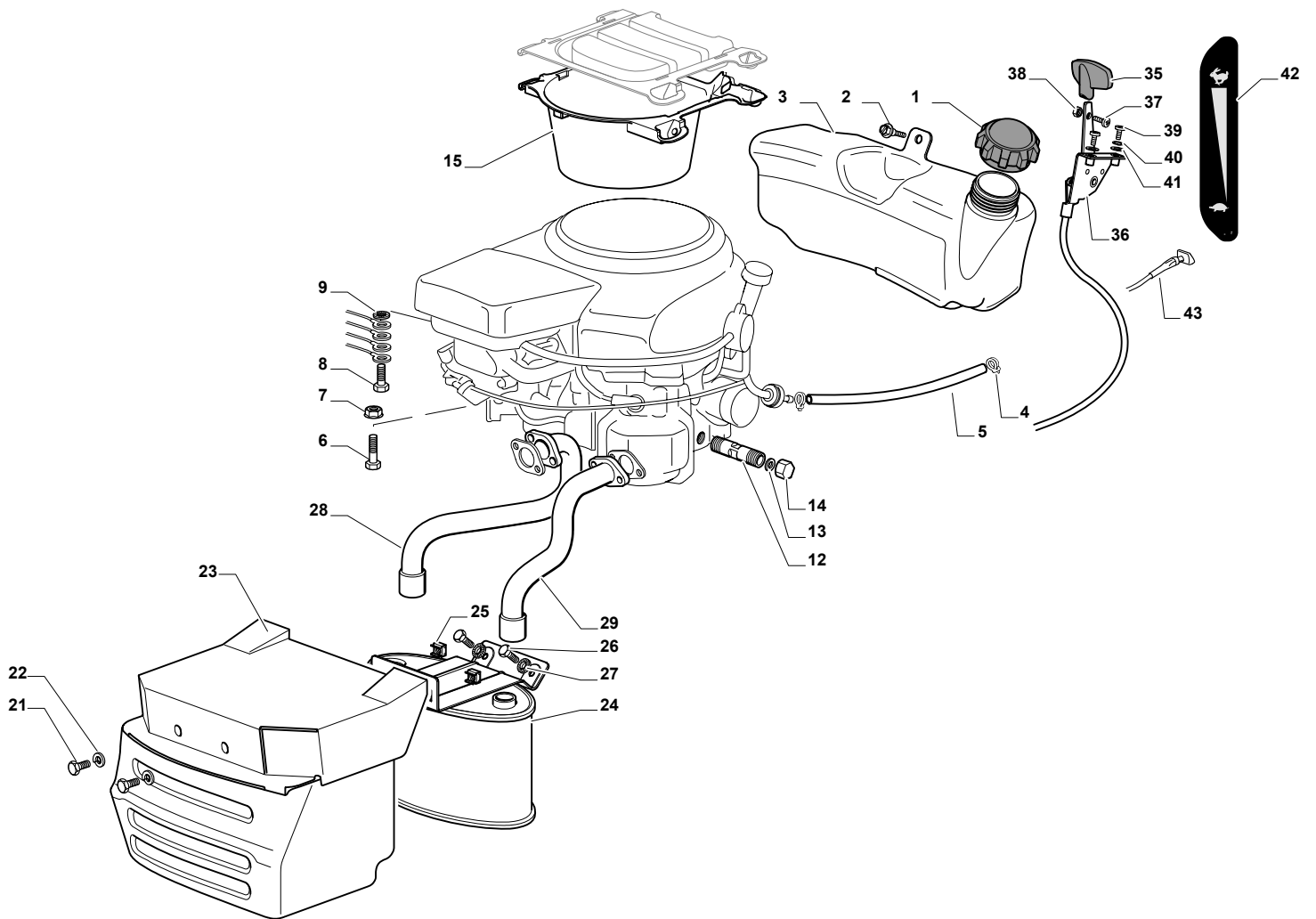




ESTATE TORNADO PRO HST

Pos. Fig.	Antal Quantity	Art No Part No	Benämning	Description	Anmärkning Notes
1	1	325600077/1	Avsluta Skydd	Exit Protection	
2	1	25510073/0	Stift	Pin	
3	1	125430242/1	Fjäder	Spring	
4	1	12141418/0	Bricka	Washer	
11	1	325600078/0	Hus	Case	
12	4	125943006/0	Skruv	Screw	
13	1	325600079/0	Hus	Case	

ESTATE TORNADO PRO HST

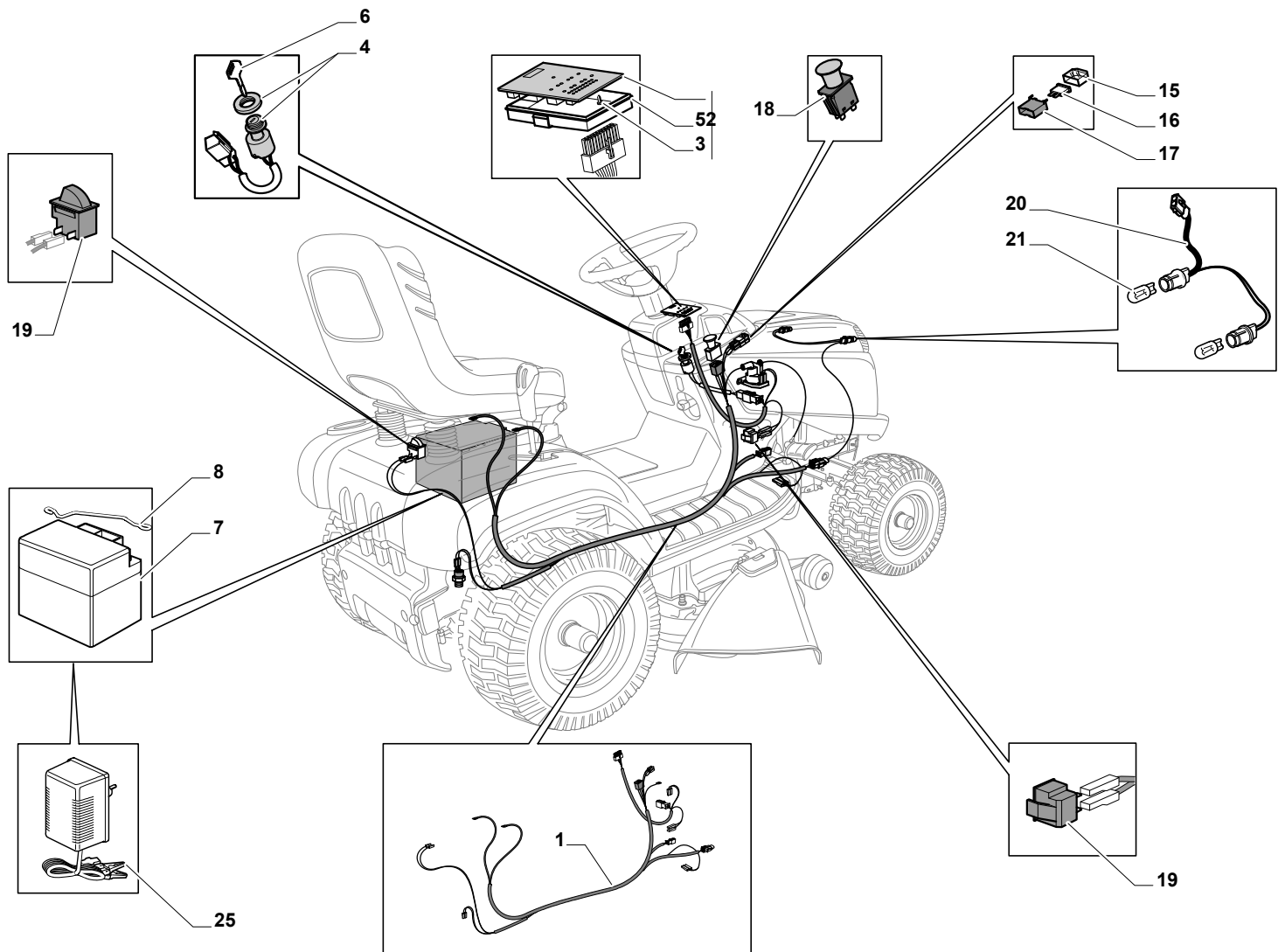




ESTATE TORNADO PRO HST

Pos. Fig.	Antal Quantity	Art No Part No	Benämning	Description	Anmärkning Notes
1	1	25795001/1	Lock	Cap	
2	4	125943010/0	Skruv	Screw	
3	1	325735126/0	Tank	Tank	
4	2	18375051/1	Slangklämma	Fair Led	
5	1	25869057/0	Vevstake	Connecting Tube (1000 Mm)	
6	4	12691115/0	Skruv	Left Screw	
7	4	12154210/0	Mutter	Nut	
8	1	12735599/0	Skruv	Screw	
9	1	12540260/0	Bricka	Washer	
12	1	25598052/0	Oil Discharge Extension	Oil Discharge Extension	
13	1	18401001/1	Tätningring	Oil Seal	
14	1	18737849/0	Lock	Oil Cap	
15	1	325108045/1	Inmatningstratt	Conveyor	
21	2	12792611/0	Skruv	Screw	
22	2	12540260/0	Bricka	Washer	
23	1	382598049/0	Ljuddämparskydd	Muffler Protection	
24	1	82750003/0	Ljuddämpare	Muffler	
25	2	12360425/0	Mutter	Nut	
26	2	12792611/0	Skruv	Screw	
27	2	12540260/0	Bricka	Washer	
28	1	18738221/0	Avgasrör	Exhaust Right Tube	
29	1	18738222/0	Avgasrör	Exhaust Left Tube	
35	1	325394531/0	Knopp	Knob	
36	1	182000217/0	Gasreglage	Accelerator	
37	1	112726389/0	Skruv	Screw	
38	1	12290800/0	Mutter	Nut	
39	2	112726389/0	Skruv	Screw	
40	2	12540020/0	Bricka	Washer	
41	2	12521310/0	Bricka	Washer	
42	1	114364617/0	Dekal	Label	
43	1	125090006/0	Chokereglage	Choke Control	

ESTATE TORNADO PRO HST

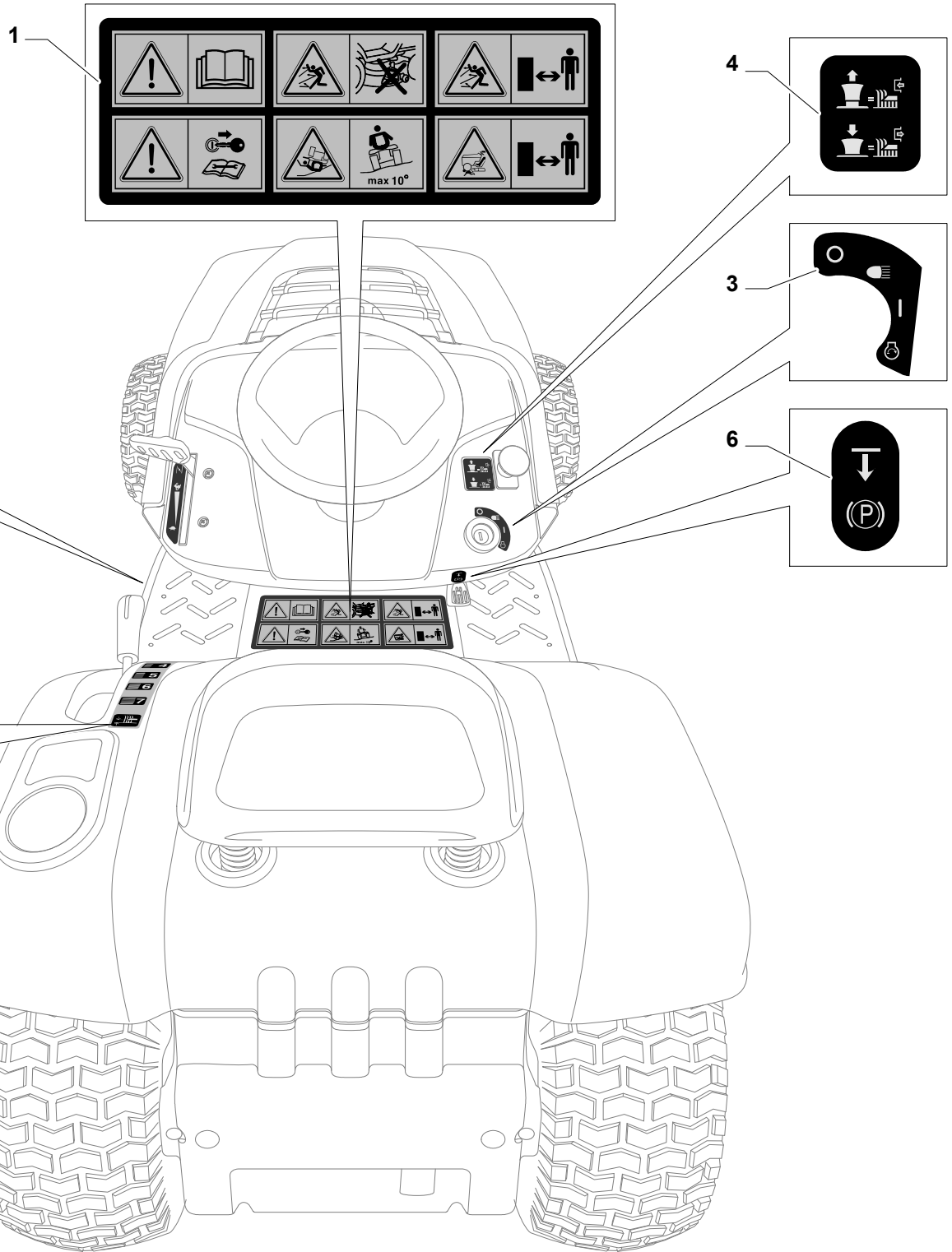




ESTATE TORNADO PRO HST

Pos. Fig.	Antal Quantity	Art No Part No	Benämning	Description	Anmärkning Notes
1	1	182040158/0	Kabel	Cables Ass.Y	
2	1	382722429/0	Elektroniska kort	Electronic Card	
3	1	12735101/0	Skruv	Screw	
4	1	118450075/0	Brytare	Starting Switch	
5	1	325600080/0	Skydd Kort	Card Protection	
6	1	118210023/0	Startnyckeln	Starting Key	
7	1	18120002/1	Batteri	Battery	
8	1	125430265/0	Fjäder	Spring	
15	2	33215000/0	Kåpa	Cover	
16	1	33340036/0	Säkring	Fuse 25 A	
16	1	33340040/0	Säkring	Fuse 10A	
17	2	33500007/0	Säkring	Fuse Carrier	
18	1	118450074/0	Brytare	Clutch Switch	
19	2	119410613/0	Brytare	Micro	
20	1	82040073/0	Kabel	Cable	
21	2	18459100/0	Farilamp For Lights	Farilamp For Lights	
25	1	182180090/0	Batteriladdare	Battery Charger	

ESTATE TORNADO PRO HST

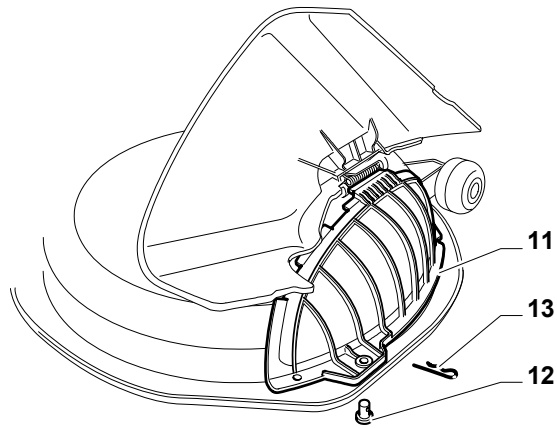
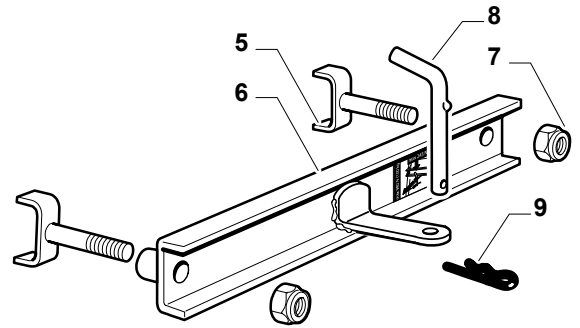
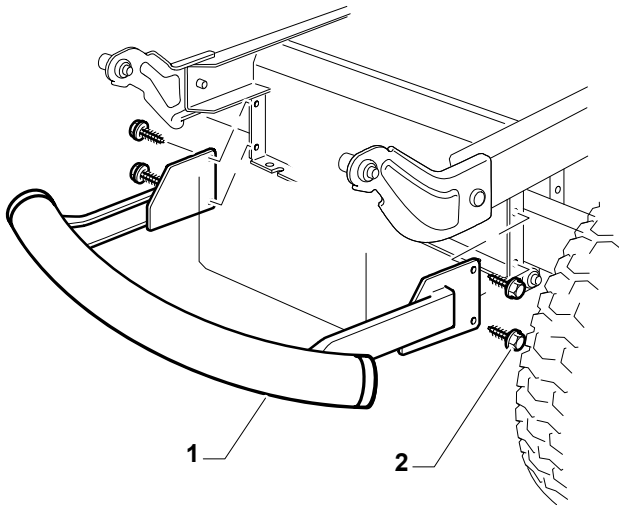




ESTATE TORNADO PRO HST

Pos. Fig.	Antal Quantity	Art No Part No	Benämning	Description	Anmärkning Notes
1	1	114362365/1	Dekal	Label	
3	1	114363699/0	Dekal	Label	
4	1	14361438/0	Dekal	Label	
5	1	114363701/0	Dekal	Label	
6	1	114363700/0	Dekal	Label	
8	1	114356699/1	Dekal	Label	

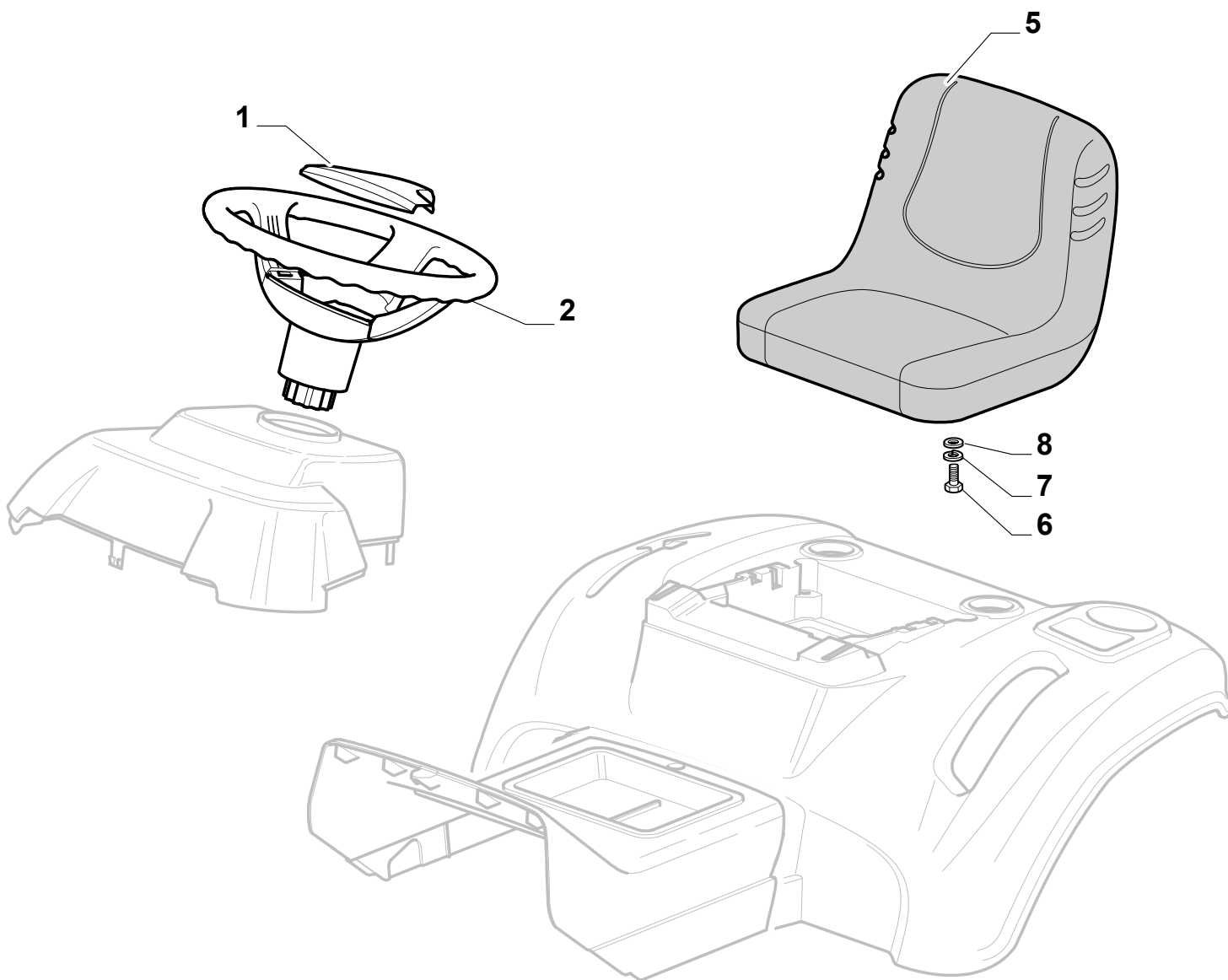
ESTATE TORNADO PRO HST



**ESTATE TORNADO PRO HST**

Pos. Fig.	Antal Quantity	Art No Part No	Benämning	Description	Anmärkning Notes
1	1	382869038/0	Ljuddämparskydd	Muffler Protection	
2	4	125943008/0	Skruv	Screw	
5	2	382650211/0	Trådbygel	Stiffening	
6	1	382033111/0	Stång	Rod	
7	2	12155000/0	Mutter	Nut	
8	1	25510021/1	Stift	Pin	
9	1	24487999/0	Låsnål	Cotter Pin	
11	1	325140099/0	Deflektor	Deflector	
12	1	125510111/0	Stift	Pin	
13	1	24487998/0	Låsnål	Cotter Pin	

ESTATE TORNADO PRO HST



**ESTATE TORNADO PRO HST**

Pos. Fig.	Antal Quantity	Art No Part No	Benämning	Description	Anmärkning Notes
1	1	325580504/0	Steering Plate	Steering Plate	
2	1	325961219/0	Rott	Steering Wheel	
5	1	25722463/0	Seat	Seat	
6	4	12792611/0	Skruv	Screw	
7	4	12540260/0	Bricka	Washer	
8	4	12523060/0	Bricka	Washer	