

# Genuine Spare Parts

www.stiga.com

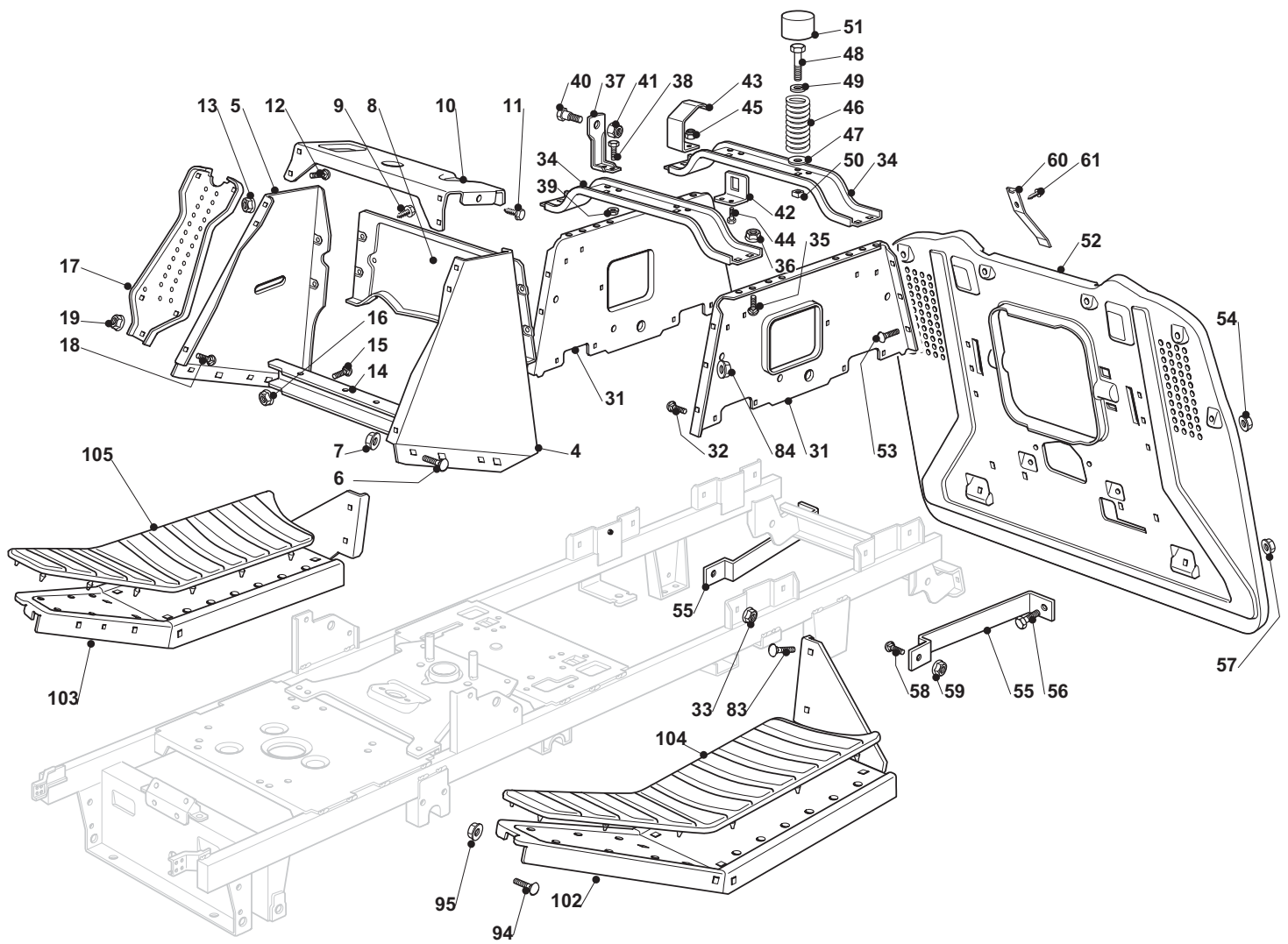
## SC 9013 Model Year 2011

- Use GLOBAL GARDEN PRODUCT Genuine Spare Parts specified in the parts list for repair and/or replacement.
- The contents described in the parts list may change due to improvement.
- The drawings of the spare parts are only indicative and might not represent the part in question exactly.
- The indications "right" - "left" - "front" - "rear" refer to the position of the operator when using the machine.
- When placing orders of parts for repair and/or replacement, make sure that the illustrated parts list is the one applying to the machine's year of manufacture, as shown on the identification plate attached to the machine.

COPYRIGHT by GLOBAL GARDEN PRODUCTS

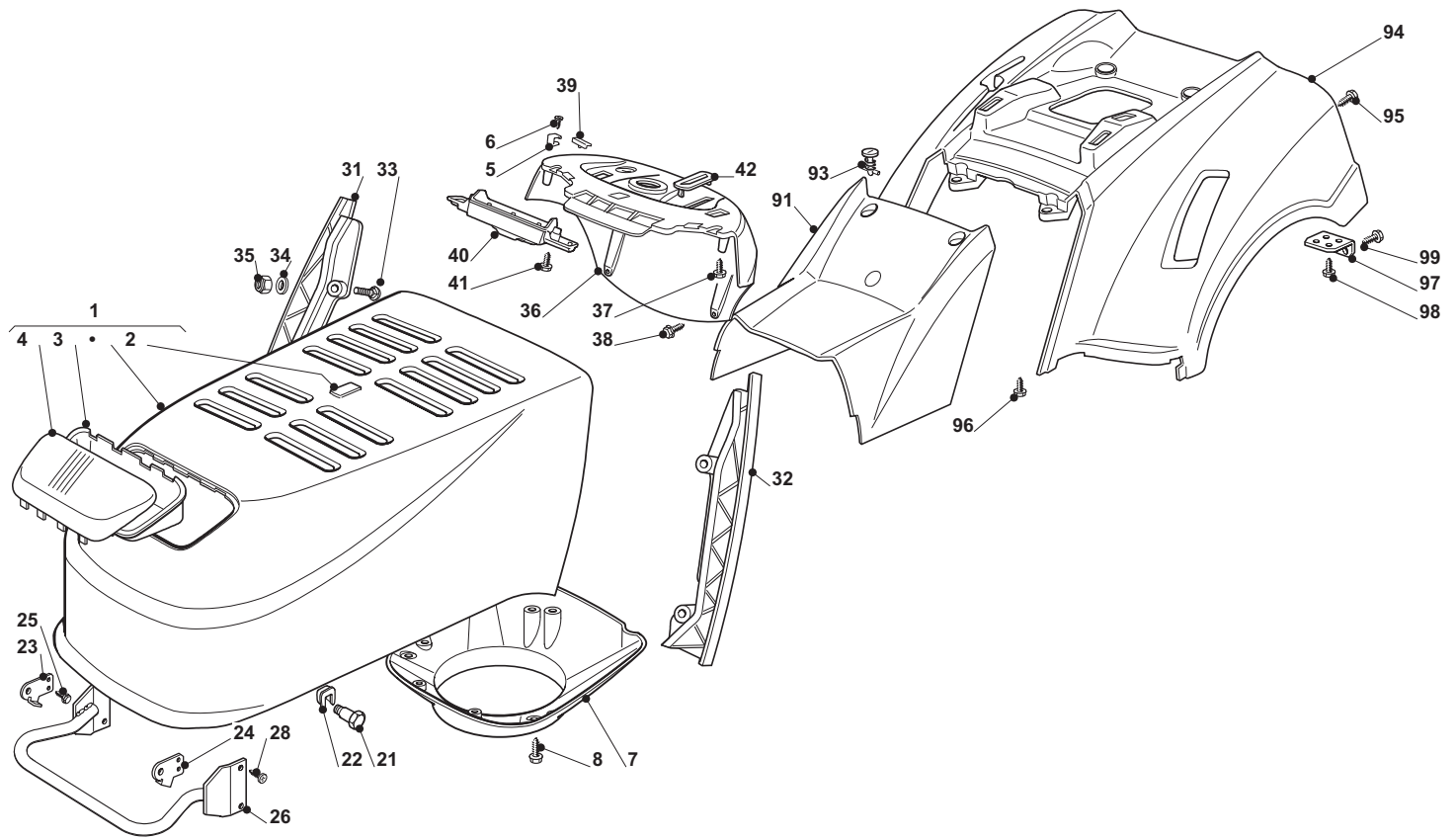
All rights reserved. No part of this material may be reproduced or transmitted, in any form or by any means, electronic or mechanical, including photocopying, recording or by any information storage and retrieval system, without permission in writing from GLOBAL GARDEN PRODUCTS.







Pos. Fig.	Antal Quantity	Art No Part No	Benämning	Description	Anmärkning Notes
4	1	325785243/1	Instrumentbräda-vä Stöd	Left Dashboard Supp.	
5	1	25785245/0	Instrumentbräda-hö Stöd	Right Dashboard Supp.	
6	4	12818690/0	Skruv	Screw	
7	4	12293201/0	Mutter	Nut	
8	1	382785151/1	Rear Dashboard Supp	Rear Dashboard Supp	
9	4	12735110/0	Skruv	Screw	
10	1	25785255/0	Central Dashboard Supp	Central Dashboard Supp	
11	2	12735110/0	Skruv	Screw	
12	4	12815200/0	Skruv	Screw	
13	4	12292102/0	Mutter	Nut	
14	1	25785241/0	Stöd	Support	
15	2	12815200/0	Skruv	Screw	
16	2	12292102/0	Mutter	Nut	
17	2	382785153/1	Front Dashboard Supp	Front Dashboard Supp	
18	2	12815200/0	Skruv	Screw	
19	2	12292102/0	Mutter	Nut	
31	2	325785249/1	Seat Support	Seat Support	
32	8	12815200/0	Skruv	Screw	
33	8	12292102/0	Mutter	Nut	
34	2	325785257/1	Seat Support	Seat Support	
35	8	12818690/0	Skruv	Screw	
36	8	12293201/0	Mutter	Nut	
37	2	25755039/0	Fästvinkel	Bracket	
38	4	12792611/0	Skruv	Screw	
39	4	12293201/0	Mutter	Nut	
40	2	22524970/2	Stift	Pin	
41	2	12155010/0	Mutter	Nut	
42	1	25755043/0	Fästvinkel	Bracket	
43	1	25430253/0	Fjäder	Spring	
44	2	12789000/0	Skruv	Screw	
45	2	12154330/0	Mutter	Nut	
46	2	125430257/1	Fjäder	Spring	
47	2	12523070/0	Bricka	Washer	
48	2	12760515/0	Skruv	Screw	
49	2	22671653/0	Bricka	Washer	
50	2	12360425/0	Mutter	Nut	
51	2	25122000/2	Styrning	Hood	
52	1	382547041/1	Tavla	Plate	
53	6	12792611/0	Skruv	Screw	
54	6	12293201/0	Mutter	Nut	
55	2	25650119/0	Reduktion	Plate Stiffening	
56	2	12792611/0	Skruv	Screw	
57	2	12293201/0	Mutter	Nut	
58	2	12818690/0	Skruv	Screw	
59	2	12293201/0	Mutter	Nut	
60	1	27430554/0	Fjäder	Spring	
61	1	12735110/0	Skruv	Screw	
83	4	12792611/0	Skruv	Screw	
84	4	12293201/0	Mutter	Nut	
94	4	12815200/0	Skruv	Screw	
95	4	12292102/0	Mutter	Nut	
102	1	382510083/0	Fotsteg-Vä Stöd	Left Footboard Support	
103	1	382510081/0	Fotsteg-hö Stöd	Right Footboard Support	
104	1	25110327/0	Fotsteg-Vä täcka	Left Footboard Cover	
105	1	25110326/0	Fotsteg-hö täcka	Right Footboard Cover	



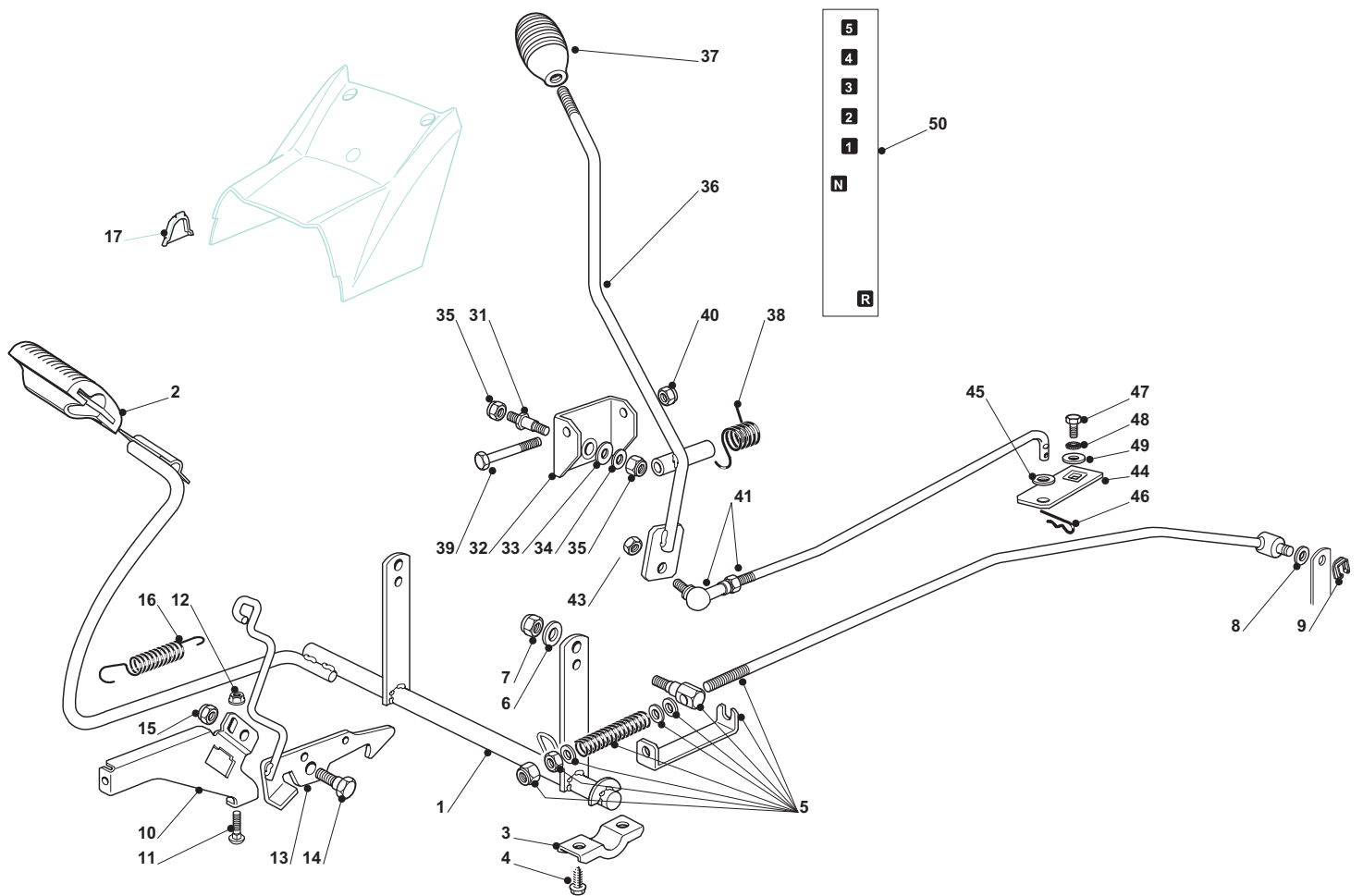


Pos. Fig.	Antal Quantity	Art No Part No	Benämning	Description	Anmärkning Notes
1	1	382076952/0	Engine Hood Black	Engine Hood Black	
2	1	325076897/0	Trombocyt	Plate Black	
3	1	25485001/0	Lights Parabola	Lights Parabola	
4	1	25410865/0	Frontkåpa	Grill	
5	2	125430215/1	Fjäder	Coupling Spring	
6	2	12728450/0	Skruv	Screw	
7	1	25108028/0	Intake Separator	Intake Separator	
8	3	12728686/0	Skruv	Screw	
21	2	25510039/0	Stift	Pin	
22	2	12436050/0	Trombocyt	Plate	
23	1	325547089/1	Trombocyt-hö	Right Plate	
24	1	325547091/1	Trombocyt-vä	Left Plate	
25	4	12731580/0	Skruv	Screw	
26	1	82869031/0	Ljuddämparskydd	Muffler Protection	
28	4	12734995/0	Skruv	Screw	
31	1	25599008/0	Instrumentbrädal-hö Stöd	Right Dashboard Supp.	
32	1	25599009/0	Instrumentbrädal-vä Stöd	Left Dashboard Supp.	
33	4	12815221/0	Skruv	Screw	
34	4	12521330/0	Bricka	Washer	
35	4	12154510/0	Mutter	Nut	
36	1	25120189/0	Instrumentbräda	Dashboard	
37	2	12728440/0	Skruv	Screw	
38	2	12735402/0	Skruv	Screw	
39	2	25260000/0	Hylsa	Grommet	
40	1	25600074/0	Skydd-Röd	Card Protection	
41	2	12735402/0	Skruv	Screw	
42	1	25547181/0	Trombocyt	Plate	
91	1	325110393/0	Kåpa-svart	Cover, Black	
93	2	25580020/0	Stift	Pivot	
94	1	325110392/0	Wheels Cover Black	Wheels Cover Black	
95	4	12735402/0	Skruv	Screw	
96	2	12735402/0	Skruv	Screw	
97	2	25755041/0	Fästvinkel	Bracket	
98	4	12728686/0	Skruv	Screw	
99	2	12735110/0	Skruv	Screw	





Pos. Fig.	Antal Quantity	Art No Part No	Benämning	Description	Anmärkning Notes
1	1	25038004/0	Kompass	Bush	
2	1	125520006/1	Steering Column	Steering Column	
3	1	27570050/0	Drev	Pinion	
4	1	12622650/0	Stift	Pin	
5	1	25743000/0	Ledkåpa, Vä+Hö	Joint	
6	1	12521370/0	Bricka	Washer	
7	1	12436030/0	Trombocyt	Plate	
8	1	25785213/0	Stöd	Support	
8	1	325785213/1	Stöd	Support	
9	2	12729601/1	Skruv	Screw	
12	1	12379511/0	Smörjnippel	Grease Dispenser	
13	2	25040624/0	Kompass	Bush	
16	1	25510092/0	Stift	Pin	
17	1	25670019/0	Bricka	Washer	
18	1	25735513/0	Sector	Steering Shaft	
19	1	12523080/0	Bricka	Washer	
20	1	12155020/0	Mutter	Nut	
21	1	25318205/0	Arm	Lever	
22	1	12523080/0	Bricka	Washer	
23	1	12794985/0	Skruv	Screw	
24	1	25743000/0	Ledkåpa, Vä+Hö	Joint	
25	1	25785213/0	Stöd	Support	
25	1	325785213/1	Stöd	Support	
26	2	12791213/1	Skruv	Screw	
27	2	12521330/0	Bricka	Washer	
28	2	12154510/0	Mutter	Nut	
29	1	382000538/1	Vevstake	Steering Rod	
30	2	12523070/0	Bricka	Washer	
31	2	12155010/0	Mutter	Nut	
41	1	382034021/1	Equalizer With Bush And Lubricator	Equalizer With Bush And Lubricator	
42	4	25040622/0	Bussning	Bush	
43	2	12379511/0	Smörjnippel	Grease Dispenser	
44	1	25160016/0	Distans	Spacer	
45	1	12692695/0	Skruv	Screw	
46	2	12523100/0	Bricka	Washer	
47	1	12587100/0	Bricka	Washer	
48	1	12295300/0	Mutter	Nut	
49	1	82230363/0	Right Stub Axle	Right Stub Axle	
50	1	82230365/0	Left Stub Axle	Left Stub Axle	
51	2	12001000/0	Låsring	Snap Ring	
52	1	25743000/0	Ledkåpa, Vä+Hö	Joint	
53	1	25785213/0	Stöd	Support	
53	1	325785213/1	Stöd	Support	
54	2	12791213/1	Skruv	Screw	
55	2	12521330/0	Bricka	Washer	
56	2	12154510/0	Mutter	Nut	
57	1	25840022/0	Gasreglagelänk	Tie Rod	
58	2	25510096/0	Stift	Pin	
59	2	12295200/0	Mutter	Nut	
60	2	12156602/0	Mutter	Nut	
61	2	12000956/0	Låsring	Benzing	

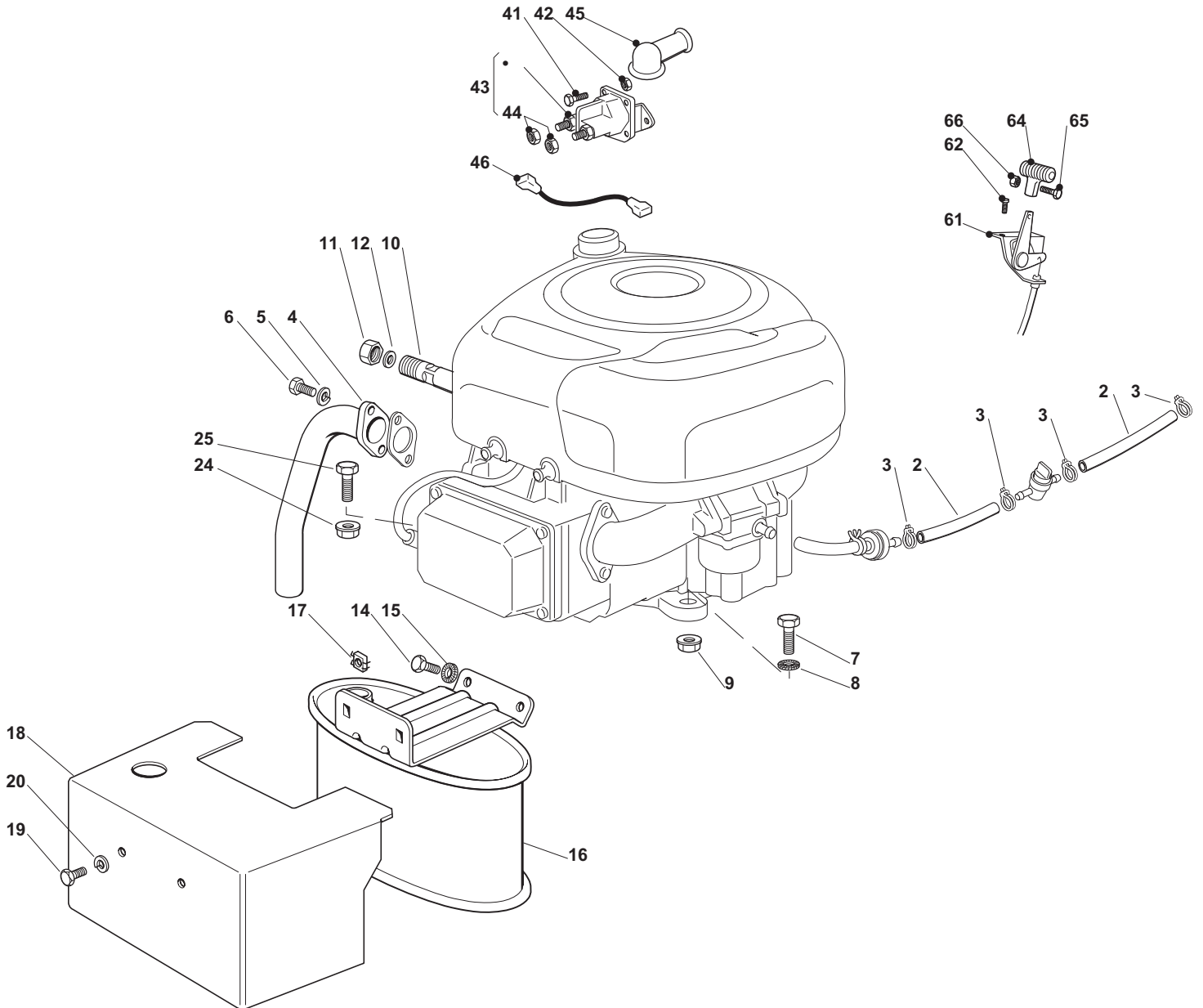






## SC 9013

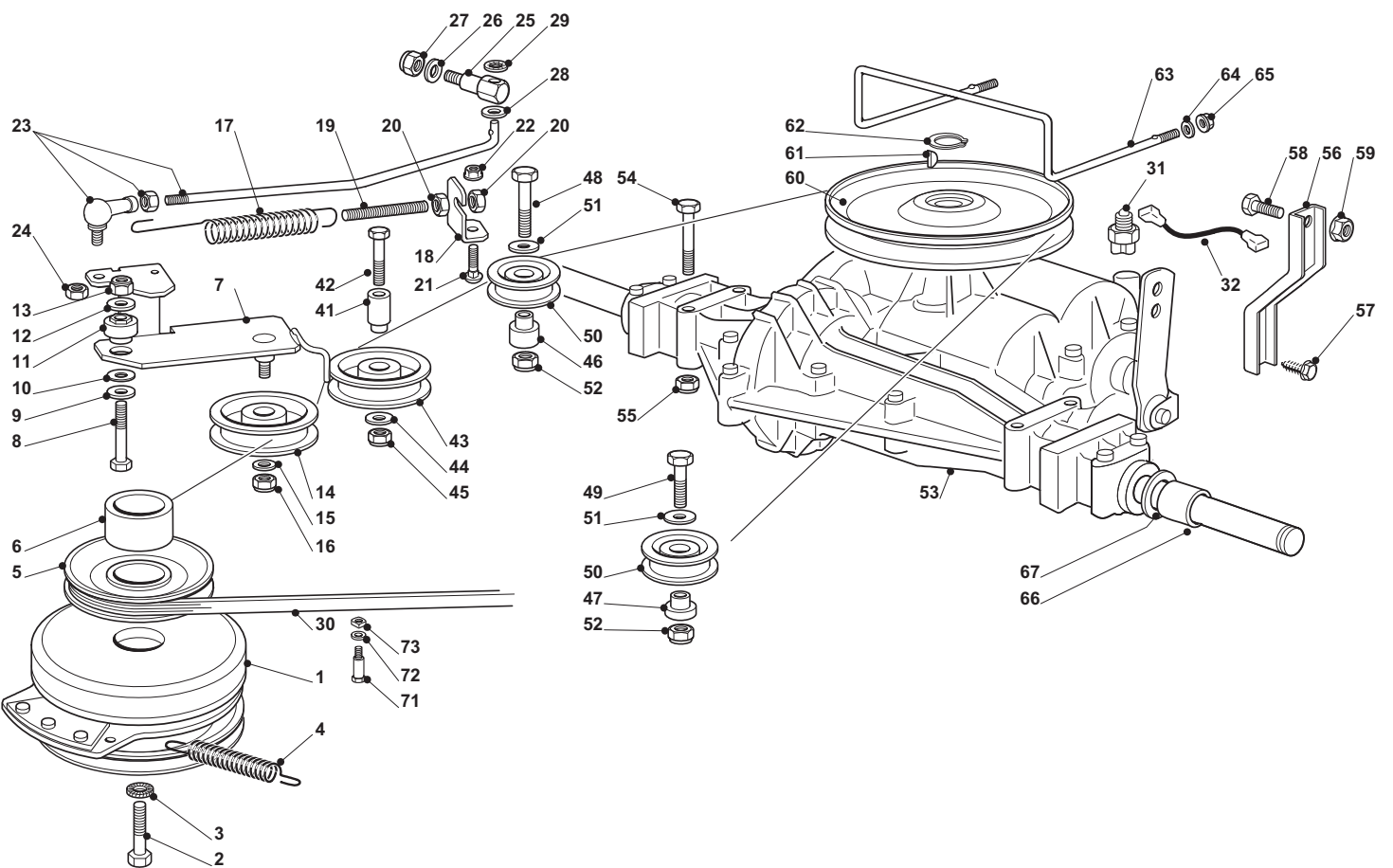
Pos. Fig.	Antal Quantity	Art No Part No	Benämning	Description	Anmärkning Notes
1	1	82500027/1	Pedal	Pedal	
2	1	25110269/0	Clamp Cover	Clamp Cover	
3	2	27546015/1	Trombocyt	Plate	
4	4	12729601/1	Skruv	Screw	
5	1	382000541/1	Länk	Rod	
6	1	12523040/0	Bricka	Washer	
7	1	12154510/0	Mutter	Nut	
8	1	12521350/0	Bricka	Washer	
9	1	12436050/0	Trombocyt	Plate	
10	1	25785261/0	Stöd	Support	
11	2	12815200/0	Skruv	Screw	
12	2	12292102/0	Mutter	Nut	
13	1	82000531/0	Länk	Rod	
14	1	22524970/2	Stift	Pin	
15	1	12155000/0	Mutter	Nut	
16	1	25430213/0	Fjäder	Spring	
17	1	25207172/0	Trombocyt	Plate	
31	1	25510035/0	Stift	Pin	
32	1	82774247/0	Fäste	Clamp	
33	1	22672152/0	Bricka	Washer	
34	1	12523060/0	Bricka	Washer	
35	2	12155010/0	Mutter	Nut	
36	1	82318215/0	Arm	Gearshift	
37	1	25394510/0	Knopp	Knob	
38	1	25430258/0	Fjäder	Spring	
39	1	12692050/0	Skruv	Screw	
40	1	12155000/0	Mutter	Nut	
41	1	382000545/0	Länk	Rod	
43	1	12155000/0	Mutter	Nut	
44	1	25318169/0	Arm	Gearshift	
45	1	12521340/0	Bricka	Washer	
46	1	24487997/0	Bricka	Washer	
47	1	12735520/0	Skruv	Screw	
48	1	12540040/0	Bricka	Washer	
49	1	22680009/0	Bricka	Washer	
50	1	14361447/0	Dekal	Label	





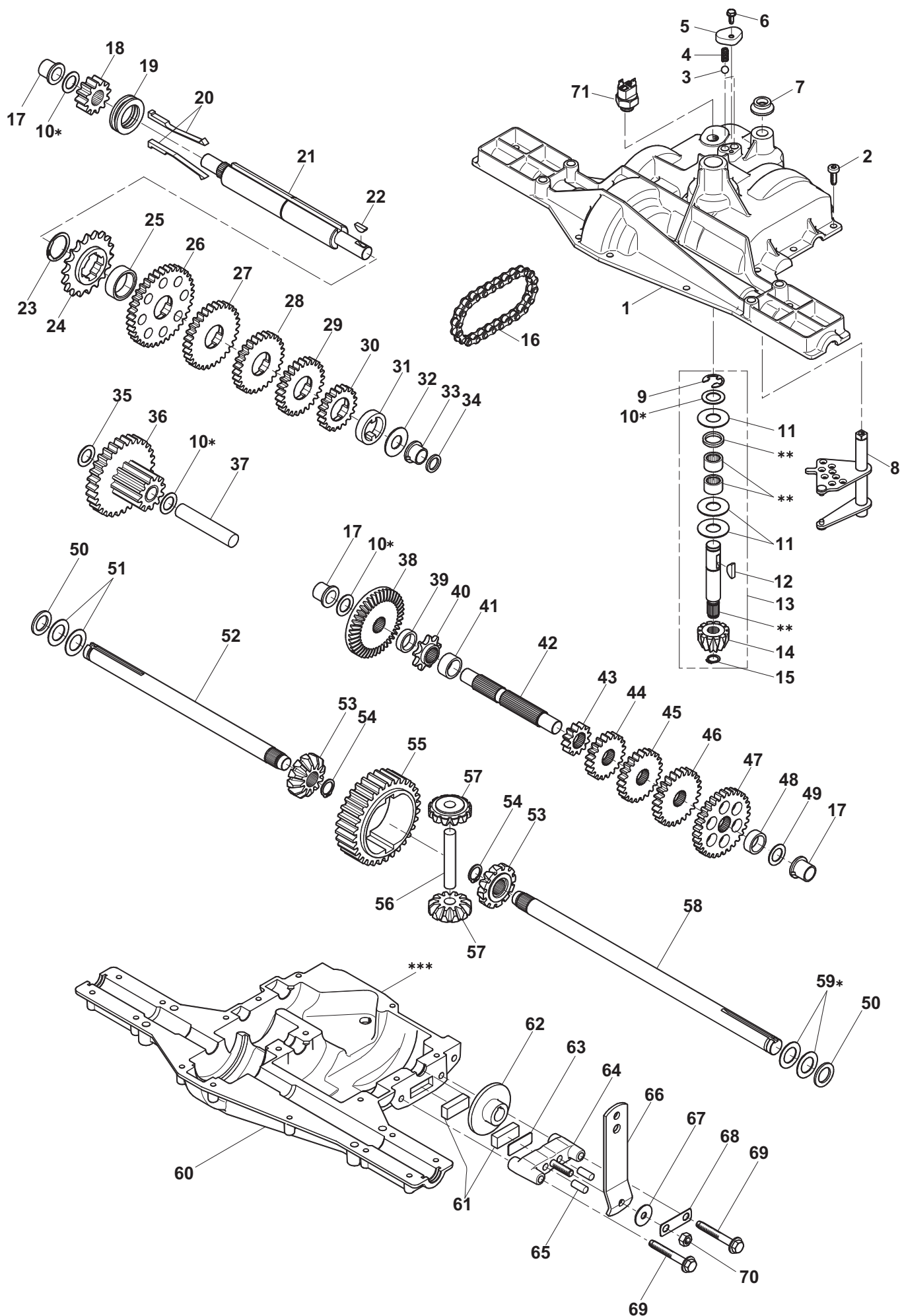
## SC 9013

Pos. Fig.	Antal Quantity	Art No Part No	Benämning	Description	Anmärkning Notes
2	1	25869057/0	Vevstake	Connecting Tube (1000 Mm)	
3	4	18375051/1	Slangklämma	Fair Led	
4	1	18738224/0	Avgasrör	Exhaust Tube	
5	2	12583500/0	Bricka	Grower	
6	2	12735530/0	Skruv	Screw	
7	1	12691115/0	Skruv	Left Screw	
8	1	12540260/0	Bricka	Washer	
9	1	12154210/0	Mutter	Nut	
10	1	25598050/0	Oil Discharge Extension	Oil Discharge Extension	
11	1	18737849/0	Lock	Oil Cap	
12	1	18401001/1	Tätningssring	Oil Seal	
14	2	12793102/0	Skruv	Screw	
15	2	12540260/0	Bricka	Washer	
16	1	182750010/0	Ljuddämpare	Muffler	
17	2	12360425/0	Mutter	Nut	
18	1	82598009/2	Skydd	Guard	
19	2	12792611/0	Skruv	Screw	
20	2	12583500/0	Bricka	Grower	
24	3	12154210/0	Mutter	Nut	
25	3	12691100/0	Skruv	Left Screw	
41	2	12791213/1	Skruv	Screw	
42	2	12292102/0	Mutter	Nut	
43	1	18736110/0	Starter Relay	Starter Relay	
44	2	12360352/0	Mutter	Nut	
45	1	18564864/1	Tätningshylsa	Protection	
46	1	25065017/0	Kabel	Cable	
61	1	82000200/1	Gasreglage	Accelerator	
62	2	125943012/0	Skruv	Screw	
64	1	25394501/0	Handtag	Handle	
65	1	12726388/0	Stift	Screw	
66	1	12290800/0	Mutter	Nut	





Pos. Fig.	Antal Quantity	Art No Part No	Benämning	Description	Anmärkning Notes
1	1	118399063/0	Koppling	Clutch	
2	1	12737320/0	Skruv	Screw	
3	1	12543000/0	Bricka	Washer	
4	1	22430216/0	Fjäder	Spring	
5	1	25601567/0	Remskiva	Pulley	
6	1	25160021/0	Distans	Spacer	
7	1	82318217/0	Spak	Lever	
8	1	12691115/0	Skruv	Left Screw	
9	1	12523060/0	Bricka	Washer	
10	1	27670055/0	Bricka	Washer	
11	1	25510087/0	Stift	Pin	
12	1	12523060/0	Bricka	Washer	
13	1	12155000/0	Mutter	Nut	
14	1	25601554/0	Remskiva	Pulley	
15	1	12523060/0	Bricka	Washer	
16	1	12155000/0	Mutter	Nut	
17	1	25430260/0	Fjäder	Spring	
18	1	25755049/0	Fästvinkel	Bracket	
19	1	25840005/0	Stång	Tie Rod	
20	2	12293200/0	Mutter	Nut	
21	1	12818690/0	Skruv	Screw	
22	1	12293201/0	Mutter	Nut	
23	1	82820013/0	Tie Rod Ass.Y	Tie Rod Ass.Y	
24	1	12155000/0	Mutter	Nut	
25	1	25510063/0	Stift	Pin	
26	2	25670011/0	Bricka	Washer	
27	1	12155000/0	Mutter	Nut	
28	1	12521350/0	Bricka	Washer	
29	1	12604899/0	Låsbricka	Crown Fastener	
30	1	35062012/0	Drivrem	Belt	
31	1	19410610/0	Brytare	Microswitch	
32	1	25065026/0	Kabel	Cables Ass.Y	
41	1	125510100/0	Stift	Pin	
42	1	12691800/0	Skruv	Screw	
43	1	25601555/0	Remskiva	Pulley	
44	1	12523060/0	Bricka	Washer	
45	1	12155000/0	Mutter	Nut	
46	1	125160014/1	Distans	Right Spacer	
47	1	125160018/1	Distans	Left Spacer	
48	1	12691200/0	Skruv	Right Screw	
49	1	12691100/0	Skruv	Left Screw	
50	2	125601588/0	Remskiva	Pulley	
51	2	22671653/0	Bricka	Washer	
52	2	12155000/0	Mutter	Nut	
53	1	18400912/0	Rear Axle Dana 4360-211	Rear Axle (Dana 4360-211)	
54	4	12691900/0	Skruv	Screw (Dana)	
55	4	12154210/0	Mutter	Nut	
56	2	25774247/0	Fäste	Clamp	
57	2	12735150/0	Skruv	Screw	
58	2	12792611/0	Skruv	Screw	
59	2	12293201/0	Mutter	Nut	
60	1	82601509/0	Remskiva	Pulley	
61	1	12139430/0	Kil	Key	
62	1	12608950/0	Låsring	Seeger	
63	1	25270321/0	Remstyrning	Belt Guide	
64	2	12523040/0	Bricka	Washer	
65	2	12292102/0	Mutter	Nut	
66	2	25160034/0	Distans	Washer	
67	4	12521410/0	Bricka	Washer	
71	2	25580030/0	Remstyrning	Belt Guide	
72	2	12523060/0	Bricka	Washer	
73	2	12360425/0	Mutter	Nut	

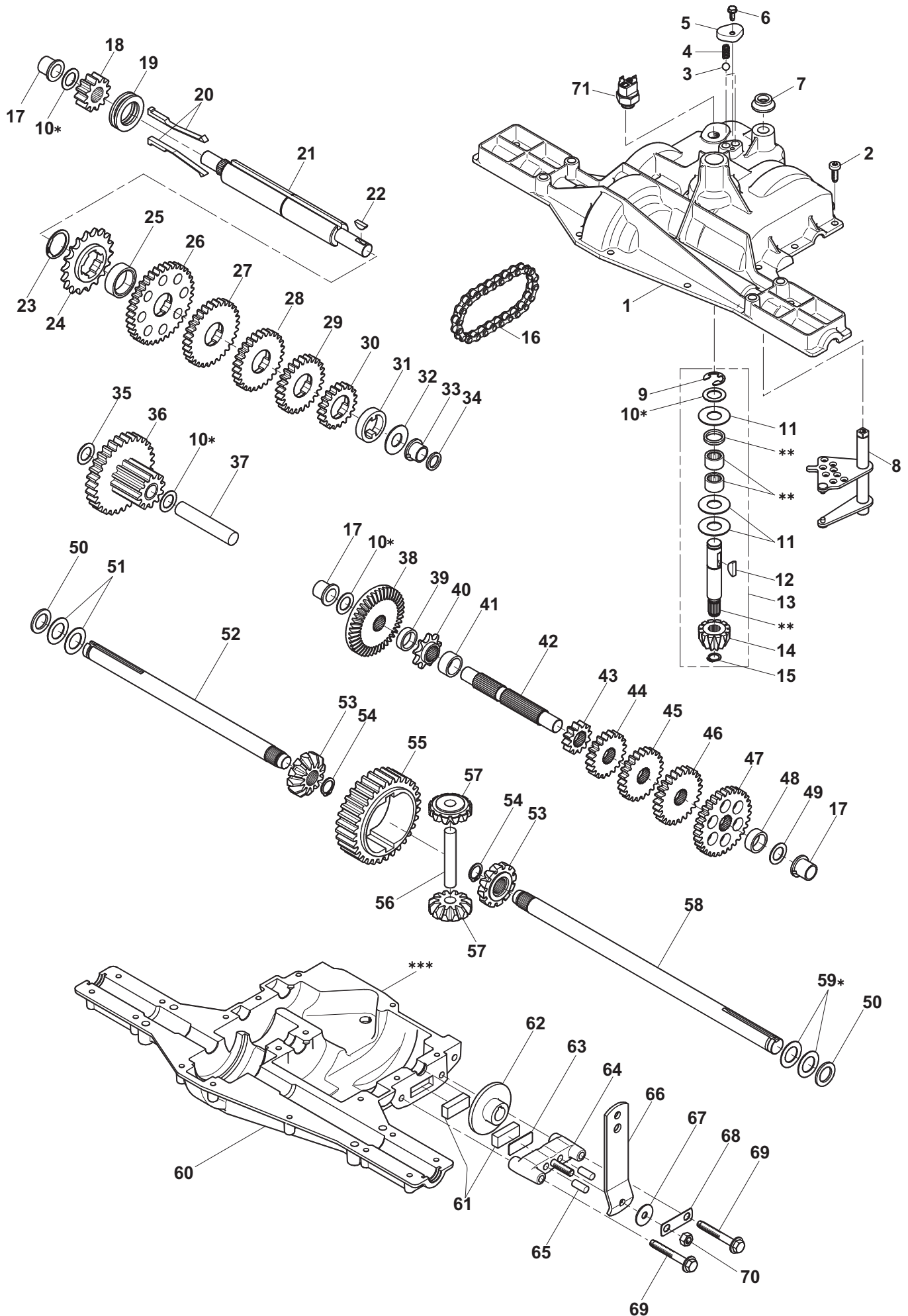




## SC 9013

Pos. Fig.	Antal Quantity	Art No Part No	Benämning	Description	Anmärkning Notes
1	1	F000-5962-AC	Housing, Upper	Housing, Upper	
2	16	F000-1919-00	Screw, Tapping, 43922 X .734	Screw, Tapping, 43922 X .734	
3	2	F000-5947-00	Ball, Detent	Ball, Detent	
4	2	F000-5948-00	Spring, Detent	Spring, Detent	
5	1	F000-5950-00	Cover, Detent	Cover, Detent	
6	1	F084-0052-00	Screw, Tapping, No. 45566 X .482	Screw, Tapping, No. 45566 X .482	
7	1	F000-7010-00	V-Ring	V-Ring	
8	1	F000-6517-00	Assy, Kit, Shifter	Assy, Kit, Shifter	
9	1	F000-1106-00	Ring, Retaining	Ring, Retaining	
10	4	F000-4689-00	Assy, Kit, Shim, .625Shaft	Assy, Kit, Shim, .625Shaft	
11	3	F000-3876-00	Washer, Plain, .632 X1.38 X .046	Washer, Plain, .632 X1.38 X .046	
12	1	F000-1746-00	Key, Woodruff, No. 606	Key, Woodruff, No. 606	
13	1	F000-6595-00	Assy, Kit, Input Shaft	Assy, Kit, Input Shaft	
14	1	F000-5620-00	Pinion, Bevel, 12T	Pinion, Bevel, 12T	
15	1	F000-3624-00	Ring, Retaining	Ring, Retaining	
16	1	F000-3625-00	Chain, 24 Pitches	Chain, 24 Pitches	
17	3	F000-5510-00	Bearing, Flange	Bearing, Flange	
18	1	F000-5627-00	Gear, Spur, 12T	Gear, Spur, 12T	
19	1	F000-5303-00	Collar, Clutch	Collar, Clutch	
20	1	F000-4758-00	Assy, Kit, Clutch Keys	Assy, Kit, Clutch Keys	
21	1	F000-5737-00	Shaft, Intermediate	Shaft, Intermediate	
22	1	F000-1375-00	Key, Woodruff, No. 61	Key, Woodruff, No. 61	
23	1	F000-3627-00	Ring, Retaining	Ring, Retaining	
24	1	F000-3830-00	Sprocket, 18T	Sprocket, 18T	
25	1	F000-3841-00	Spacer, 1.131 X 1.45 X.494	Spacer, 1.131 X 1.45 X.494	
26	1	F000-5365-00	Gear, Spur, 37T	Gear, Spur, 37T	
27	1	F000-3867-00	Gear, Spur, 30T	Gear, Spur, 30T	
28	1	F000-5014-00	Gear, Spur, 27T	Gear, Spur, 27T	
29	1	F000-3783-00	Gear, Spur, 25T	Gear, Spur, 25T	
30	1	F000-5202-00	Gear, Spur, 19T	Gear, Spur, 19T	
31	1	F000-5027-00	Spacer, 1.133 X 1.50 X.375	Spacer, 1.133 X 1.50 X.375	
32	1	F000-3628-00	Washer, Plain, .640 X1.37 X .061	Washer, Plain, .640 X1.37 X .061	
33	1	F000-5511-00	Bearing, Flange	Bearing, Flange	
34	1	F000-5508-00	Seal, Oil	Seal, Oil	
35	1	F000-1425-00	Washer, Plain, .632 X1.00 X .046	Washer, Plain, .632 X1.00 X .046	
36	1	F000-6358-00	Assy, Gear, Comb., 12T& 30T	Assy, Gear, Comb., 12T& 30T	
37	1	F000-3967-00	Shaft, Idler	Shaft, Idler	
38	1	F000-7003-00	Gear, Bevel, 36T	Gear, Bevel, 36T	
39	1	F000-3630-00	Spacer, .781 X 1.00 X.281	Spacer, .781 X 1.00 X.281	
40	1	F000-3645-00	Sprocket, 9T	Sprocket, 9T	
41	1	F000-5016-00	Spacer, .781 X 1.00 X.494	Spacer, .781 X 1.00 X.494	
42	1	F000-5015-00	Shaft, Drive	Shaft, Drive	
43	1	F000-5364-00	Gear, Spur, 12T	Gear, Spur, 12T	
44	1	F000-3866-00	Gear, Spur, 20T	Gear, Spur, 20T	
45	1	F000-5013-00	Gear, Spur, 23T	Gear, Spur, 23T	
46	1	F000-3719-00	Gear, Spur, 25T	Gear, Spur, 25T	
47	1	F000-3683-00	Gear, Spur, 31T	Gear, Spur, 31T	
48	1	F000-3714-00	Spacer, .781 X 1.00 X.375	Spacer, .781 X 1.00 X.375	
49	1	F000-1145-00	Washer, Plain, .632 X1.00 X .060	Washer, Plain, .632 X1.00 X .060	
50	2	F000-5130-00	Washer, Neoprene	Washer, Neoprene	
51	2	F000-3184-00	Washer, Plain, .758 X1.25 X .031	Washer, Plain, .758 X1.25 X .031	
52	1	F000-7070-10	Axle, Lh	Axle, Lh	
53	2	F000-5622-00	Gear, Miter, 12T, Splined	Gear, Miter, 12T, Splined	
54	2	F000-5270-00	Ring, Retaining	Ring, Retaining	
55	1	F000-3839-00	Gear, Spur, 32T	Gear, Spur, 32T	
56	1	F000-3919-00	Shaft, Cross	Shaft, Cross	
57	2	F000-5623-00	Gear, Miter, 12T, Idler	Gear, Miter, 12T, Idler	
58	1	F000-7070-20	Axle, Rh	Axle, Rh	
59	1	F000-4691-00	Assy, Kit, Shim, .750Shaft	Assy, Kit, Shim, .750Shaft	
60	1	F000-5304-R0	Housing, Lower	Housing, Lower	
61	2	F000-7109-00	Puck, Friction	Puck, Friction	
62	1	F000-5960-00	Disc, Brake	Disc, Brake	
63	1	F000-3758-00	Spacer, Brake Puck	Spacer, Brake Puck	
64	1	F000-5554-00	Jaw, Brake	Jaw, Brake	
65	2	F000-3843-00	Drev	Pin, Dowel	
66	1	F000-7026-00	Spak	Lever, Actuating	

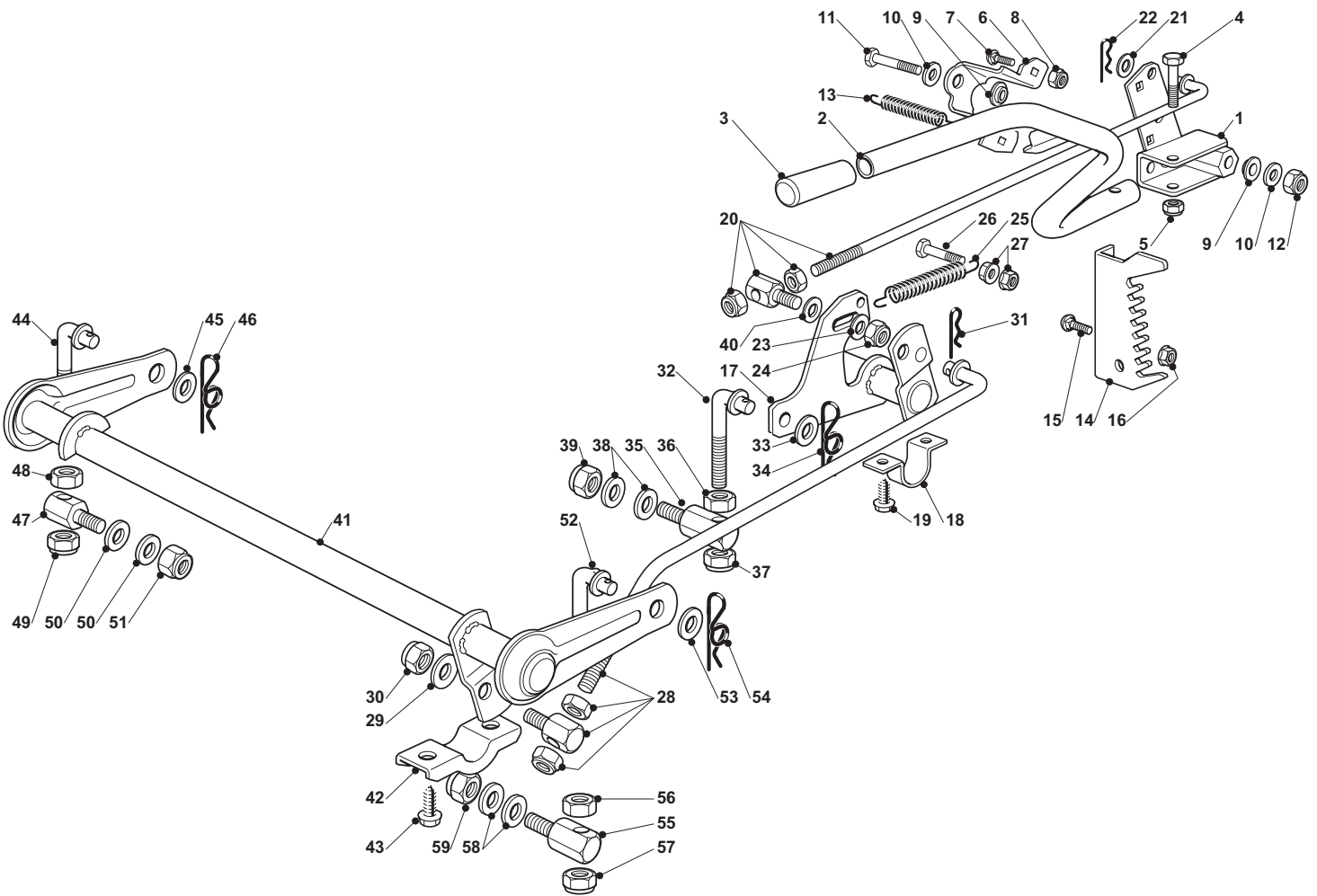






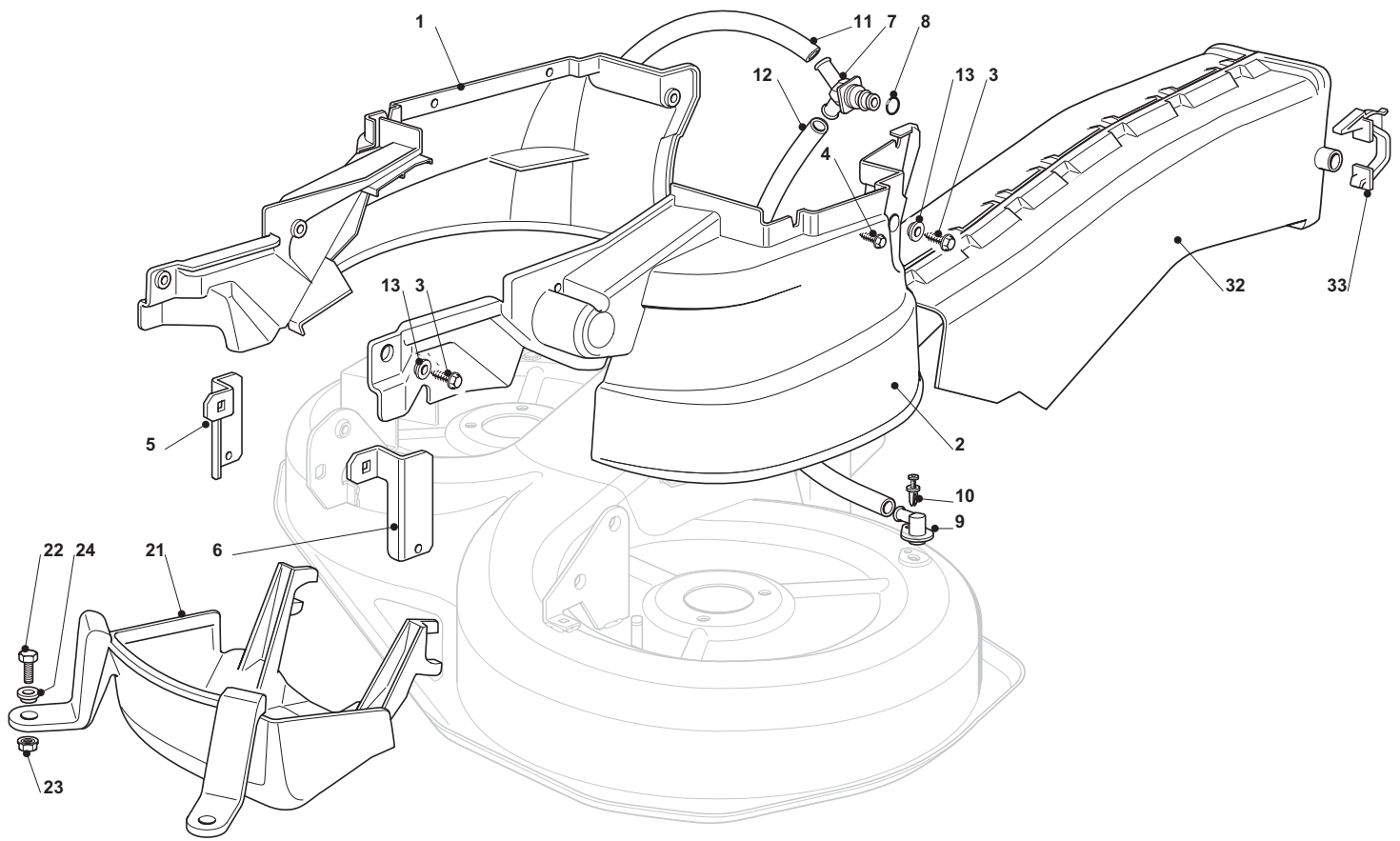


Pos. Fig.	Antal Quantity	Art No Part No	Benämning	Description	Anmärkning Notes
67	1	F000-3760-00	Washer, Plain, .321 X1.00 X .055	Washer, Plain, .321 X1.00 X .055	
68	1	F000-5555-00	Bussning	Bracket, Anti-Rotation	
69	2	F000-5562-00	Screw, Tapping, 5/16-18 X 2.35	Screw, Tapping, 5/16-18 X 2.35	
70	1	F000-3847-00	Nut, Lock, 5/16-24	Nut, Lock, 5/16-24	
71	1	19410610/0	Brytare	Microswitch	
72	1	F000-4300-00	Grease	Grease	





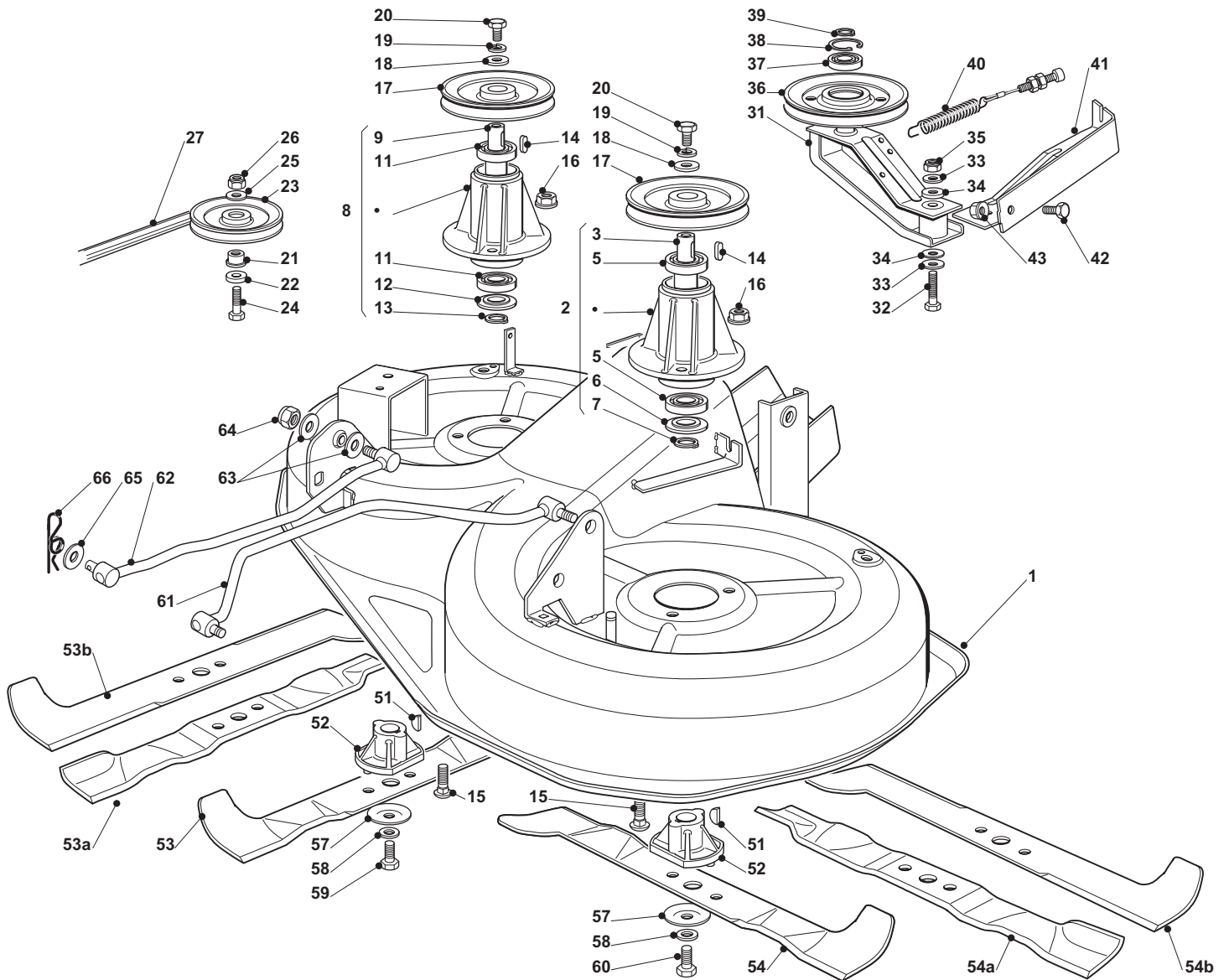
Pos. Fig.	Antal Quantity	Art No Part No	Benämning	Description	Anmärkning Notes
1	1	82774249/0	Fäste	Clamp	
2	1	382318219/1	Spak	Lever	
3	1	25394508/0	Handtag	Handle	
4	1	12674700/0	Skruv	Screw	
5	1	12154510/0	Mutter	Nut	
6	1	25650113/0	Trombocyt	Plate	
7	2	12818690/0	Skruv	Screw	
8	2	12155000/0	Mutter	Nut	
9	2	22041980/0	Distans	Spacer	
10	2	12523060/0	Bricka	Washer	
11	1	12691600/0	Skruv	Screw	
12	1	12155000/0	Mutter	Nut	
13	1	25430259/0	Fjäder	Spring	
14	1	25735511/0	Sector	Sector	
15	2	12818690/0	Skruv	Screw	
16	2	12293201/0	Mutter	Nut	
17	1	82000387/0	Axel	Axle	
18	2	325547041/1	Trombocyt	Plate	
19	4	12731580/0	Skruv	Screw	
20	1	382000618/0	Länk	Rod	
21	1	25670011/0	Bricka	Washer	
22	1	24487998/0	Låsnål	Cotter Pin	
23	1	12523040/0	Bricka	Washer	
24	1	12154210/0	Mutter	Nut	
25	1	22446402/0	Fjäder	Spring	
26	1	12792410/0	Skruv	Screw	
27	2	12292102/0	Mutter	Nut	
28	1	82000537/0	Vevstake	Connecting Rod	
29	2	25670008/1	Bricka	Washer	
30	1	12156602/0	Mutter	Nut	
31	1	24487998/0	Låsnål	Cotter Pin	
32	1	25840025/0	Stång	Tie Rod	
33	1	25670008/1	Bricka	Washer	
34	1	24487998/0	Låsnål	Cotter Pin	
35	1	25510090/0	Stift	Pin	
36	1	12295200/0	Mutter	Nut	
37	1	12156602/0	Mutter	Nut	
38	2	25670008/1	Bricka	Washer	
39	1	12156602/0	Mutter	Nut	
40	2	12521360/0	Bricka	Washer	
41	1	82000385/0	Axel	Axle	
42	2	27546015/1	Trombocyt	Plate	
43	4	12731350/0	Skruv	Screw	
44	1	25840024/0	Stång	Tie Rod	
45	1	25670008/1	Bricka	Washer	
46	1	24487998/0	Låsnål	Cotter Pin	
47	1	25510098/0	Stift	Pin	
48	1	12295200/0	Mutter	Nut	
49	1	12156602/0	Mutter	Nut	
50	2	25670008/1	Bricka	Washer	
51	1	12156602/0	Mutter	Nut	
52	1	25840025/0	Stång	Tie Rod	
53	1	25670008/1	Bricka	Washer	
54	1	24487998/0	Låsnål	Cotter Pin	
55	1	25510090/0	Stift	Pin	
56	1	12295200/0	Mutter	Nut	
57	1	12156602/0	Mutter	Nut	
58	2	25670008/1	Bricka	Washer	
59	1	12156602/0	Mutter	Nut	





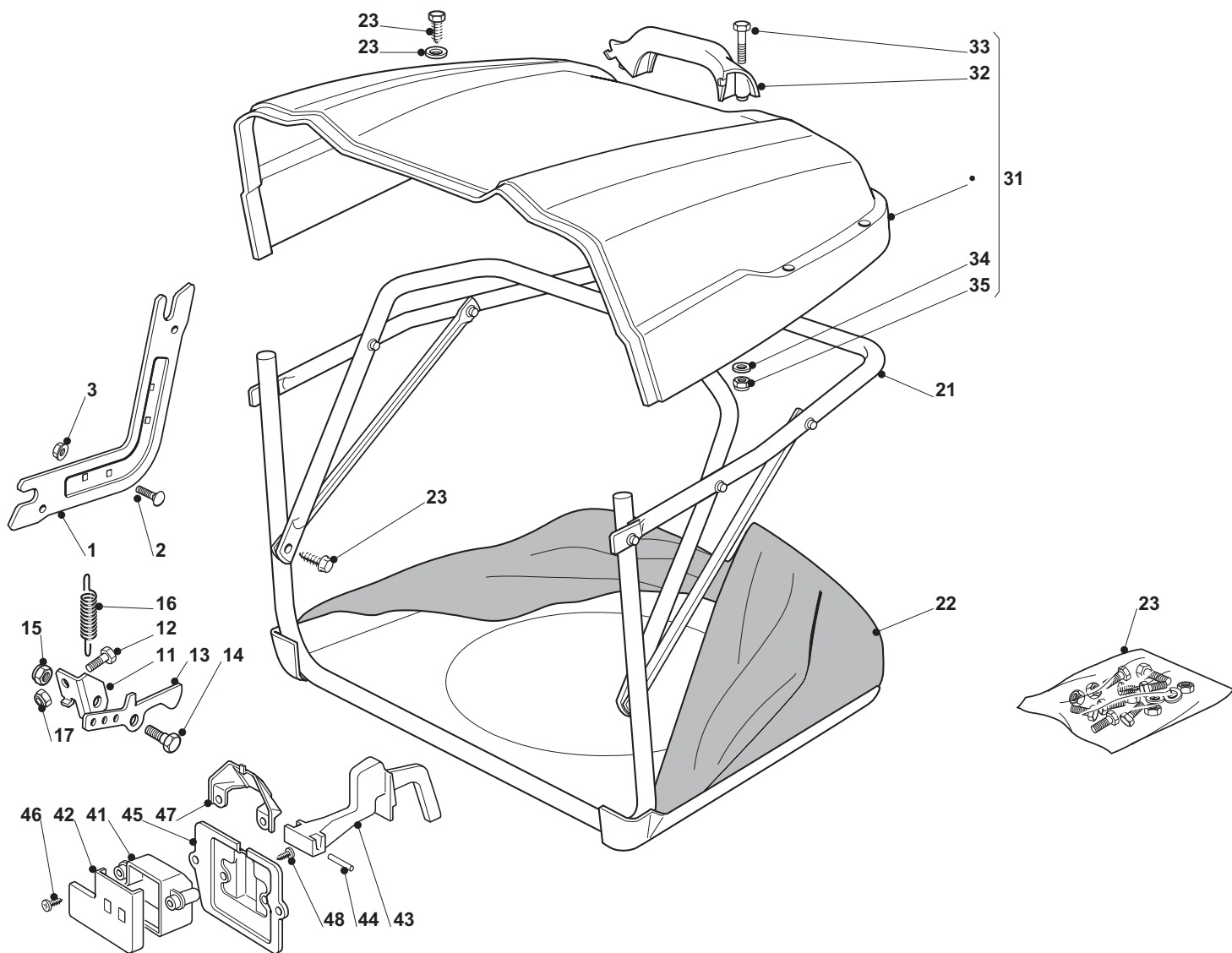
## SC 9013

Pos. Fig.	Antal Quantity	Art No Part No	Benämning	Description	Anmärkning Notes
1	1	25060121/0	Hus	Case	
2	1	25060122/0	Hus	Case	
3	6	12735122/0	Skruv	Screw	
4	4	12728535/0	Skruv	Screw	
5	1	25774381/0	Fäste	Bracket	
6	1	25774383/0	Fäste	Bracket	
7	1	25033066/0	Water Hose Connection	Water Hose Connection	
8	1	19035000/0	O-ring	Or Ring	
9	2	25033065/0	Water Hose Connection	Water Hose Connection	
10	2	12500030/0	Rivet	Rivet	
11	1	25869069/0	Vevstake	Connecting Tube	
12	1	25869068/0	Vevstake	Connecting Tube	
13	6	325160039/0	Distans	Spacer	
21	1	25060127/0	Hus	Case	
22	2	12791400/0	Skruv	Screw	
23	2	12154510/0	Mutter	Nut	
24	2	325160039/0	Distans	Spacer	
32	1	382108008/0	Inmatningstratt	Conveyor	
33	2	25774373/0	Fäste	Clamp	





Pos. Fig.	Antal Quantity	Art No Part No	Benämning	Description	Anmärkning Notes
1	1	82564075/0	Plate	Plate, Black	
2	1	82207202/0	Fläns	Left Flange Ass.Y	
3	1	25020802/0	Vevaxel	Shaft	
5	2	119216047/0	Kullager	Bearing	
6	1	25160501/0	Dammskydd	Dust Cover	
7	1	12609260/0	Seeger	Seeger	
8	1	82207203/0	Fläns	Right Flange Ass.Y	
9	1	25020803/0	Vevaxel	Shaft	
11	2	119216047/0	Kullager	Bearing	
12	1	25160501/0	Dammskydd	Dust Cover	
13	1	12609260/0	Seeger	Seeger	
14	2	12139480/0	Kil	Feather	
15	6	12818700/0	Skruv	Screw	
16	6	12154210/0	Mutter	Nut	
17	2	25601563/0	Remskiva	Pulley	
18	2	25670007/0	Bricka	Washer	
19	2	12583500/0	Bricka	Grower	
20	2	12793102/0	Skruv	Screw	
21	1	25160007/0	Distans	Spacer	
22	1	25670007/0	Bricka	Washer	
23	1	25601555/0	Remskiva	Pulley	
24	1	12691115/0	Skruv	Left Screw	
25	1	12523060/0	Bricka	Washer	
26	1	12155000/0	Mutter	Nut	
27	1	35065701/0	Drivrem	Belt	
31	1	82318141/2	Spak	Lever	
32	1	12691700/0	Skruv	Screw	
33	2	12523070/0	Bricka	Washer	
34	2	22672152/0	Bricka	Washer	
35	1	12155000/0	Mutter	Nut	
36	1	25601564/0	Remskiva	Pulley	
37	1	119216048/0	Kullager	Bearing	
38	1	12610800/0	Seegerring	Seeger	
39	1	12609200/0	Seegerring	Seeger	
40	1	82004618/0	Kabel	Wire	
41	1	382774215/3	Fäste	Clamp	
42	1	12792611/0	Skruv	Screw	
43	1	12293201/0	Mutter	Nut	
51	2	12139100/0	Kil	Feather, Crankshaft Ø 22.2	
52	2	25463200/0	Knivfäste	Blade Hub	
53b	1	82004345/1	Kniv	Right Blade, Winged	
53	1	82004352/0	Kniv	Right Blade Mulching	
53a	1	82004354/0	Kniv	Right Blade Mulching, Winged	
54	1	81004346/3	Kniv	Blade Standard	
54b	1	82004344/1	Kniv	Left Blade, Winged	
54a	1	82004353/0	Kniv	Left Blade Mulching, Winged	
57	2	22160400/0	Dammskydd	Dust Cover	
58	2	12523080/0	Bricka	Washer	
59	1	12735695/1	Skruv	Screw	
60	1	12735694/0	Skruv	Screw	
61	1	82000535/0	Equalizer Rod	Equalizer Rod	
62	1	82000533/0	Equalizer Rod	Equalizer Rod	
63	4	25670008/1	Bricka	Washer	
64	2	12156602/0	Mutter	Nut	
65	2	25670008/1	Bricka	Washer	
66	2	24487998/0	Låsnål	Cotter Pin	

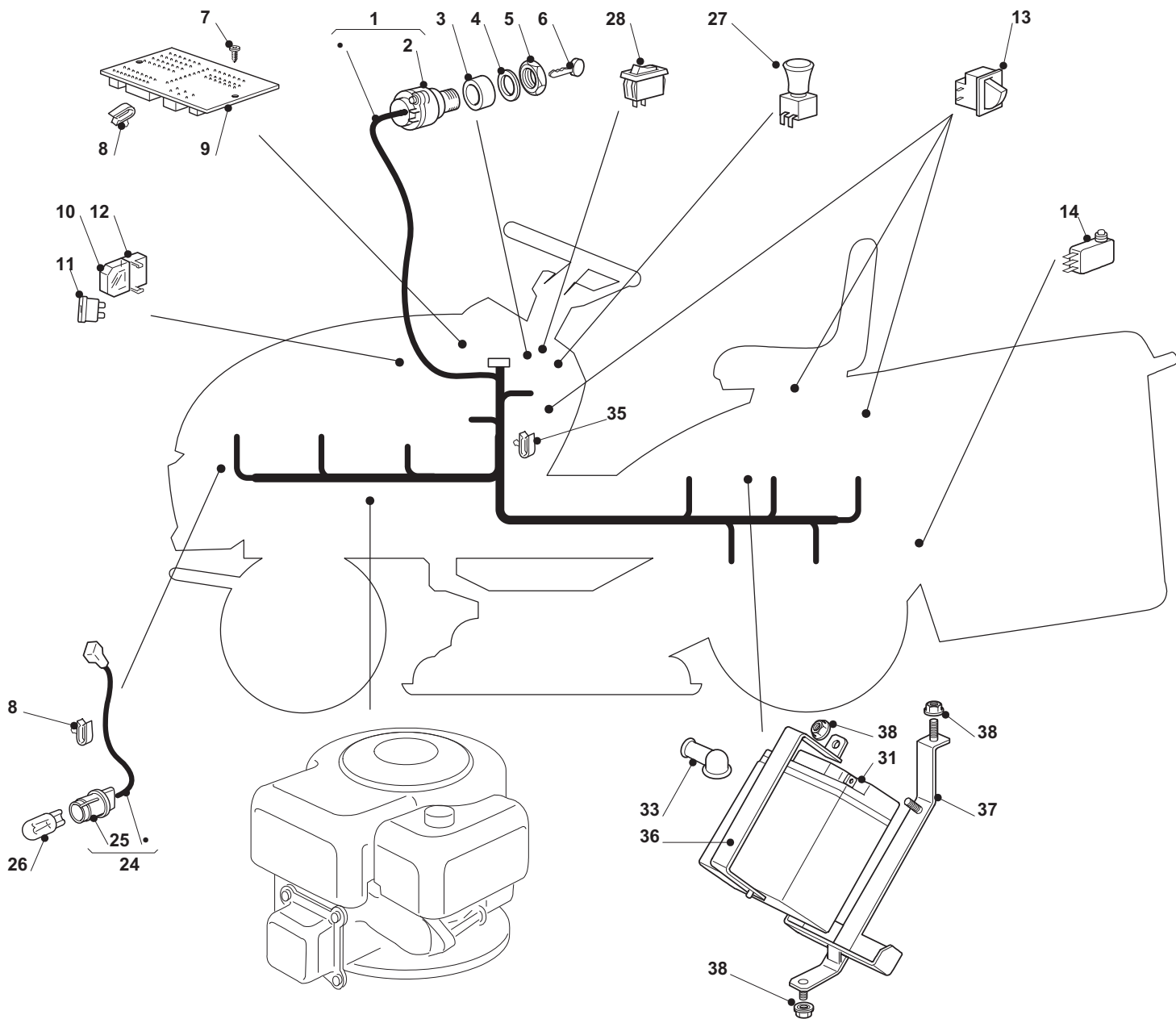






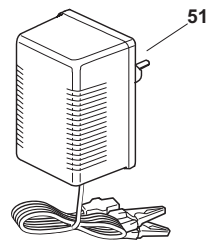
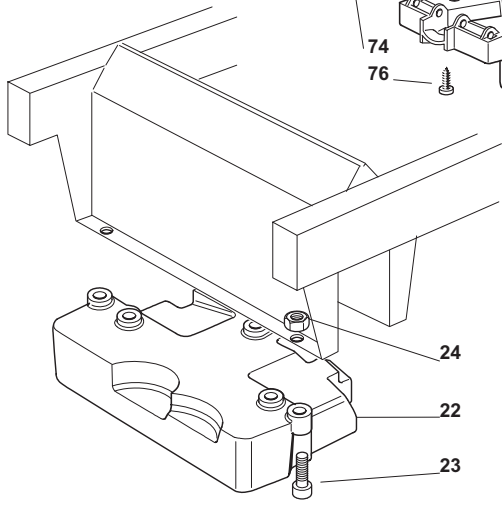
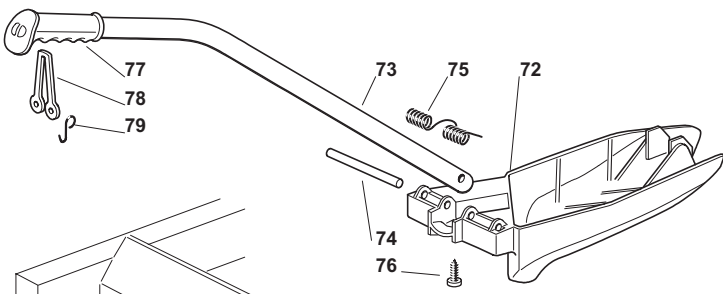
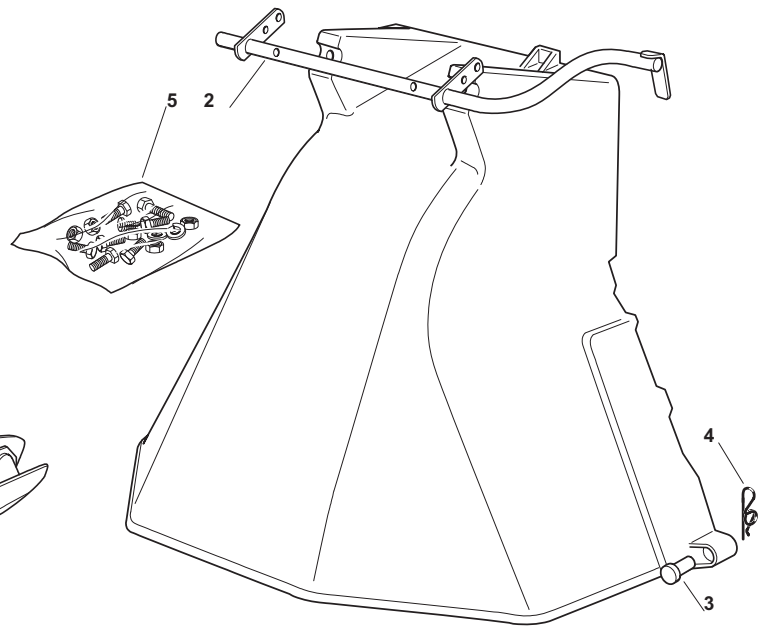
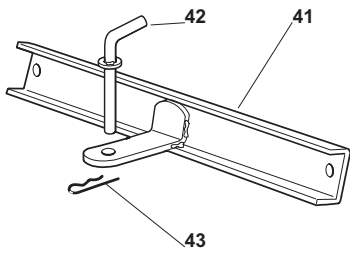
## SC 9013

Pos. Fig.	Antal Quantity	Art No Part No	Benämning	Description	Anmärkning Notes
1	2	25785277/0	Stöd	Support	
2	4	12293201/0	Mutter	Nut	
3	4	12818690/0	Skruv	Screw	
11	1	325755031/1	Fäste	Bracket	
12	1	12789000/0	Skruv	Screw	
13	1	325774315/1	Fäste	Bracket	
14	1	125510080/1	Stift	Pin	
15	1	12292102/0	Mutter	Nut	
16	1	22450432/0	Fjäder	Spring	
17	1	12154330/0	Mutter	Nut	
21	1	82800110/0	Chassi	Front Frame	
22	1	82105974/0	Uppsamlare	Grasscatcher	
23	1	82180047/0	Skruvsats	Screws Outfit	
31	1	82110273/0	Kåpa	Grass-Catcher Cover, Black	
32	1	27394000/0	Handtag	Handle	
33	2	12789020/0	Skruv	Screw	
34	2	12523020/0	Bricka	Washer	
35	2	12154330/0	Mutter	Nut	
41	1	25600041/0	Skydd	Micro Protection	
42	1	25600042/0	Överbelastningsskydd	Protection Cover	
43	1	25318124/0	Arm	Lever	
44	1	12400030/0	Stift	Pin	
45	1	25785272/0	Knivskydd	Micro Protection	
46	1	12728510/0	Skruv	Screw	
47	1	25600048/0	Överbelastningsskydd	Protection Cover	
48	2	12735110/0	Skruv	Screw	





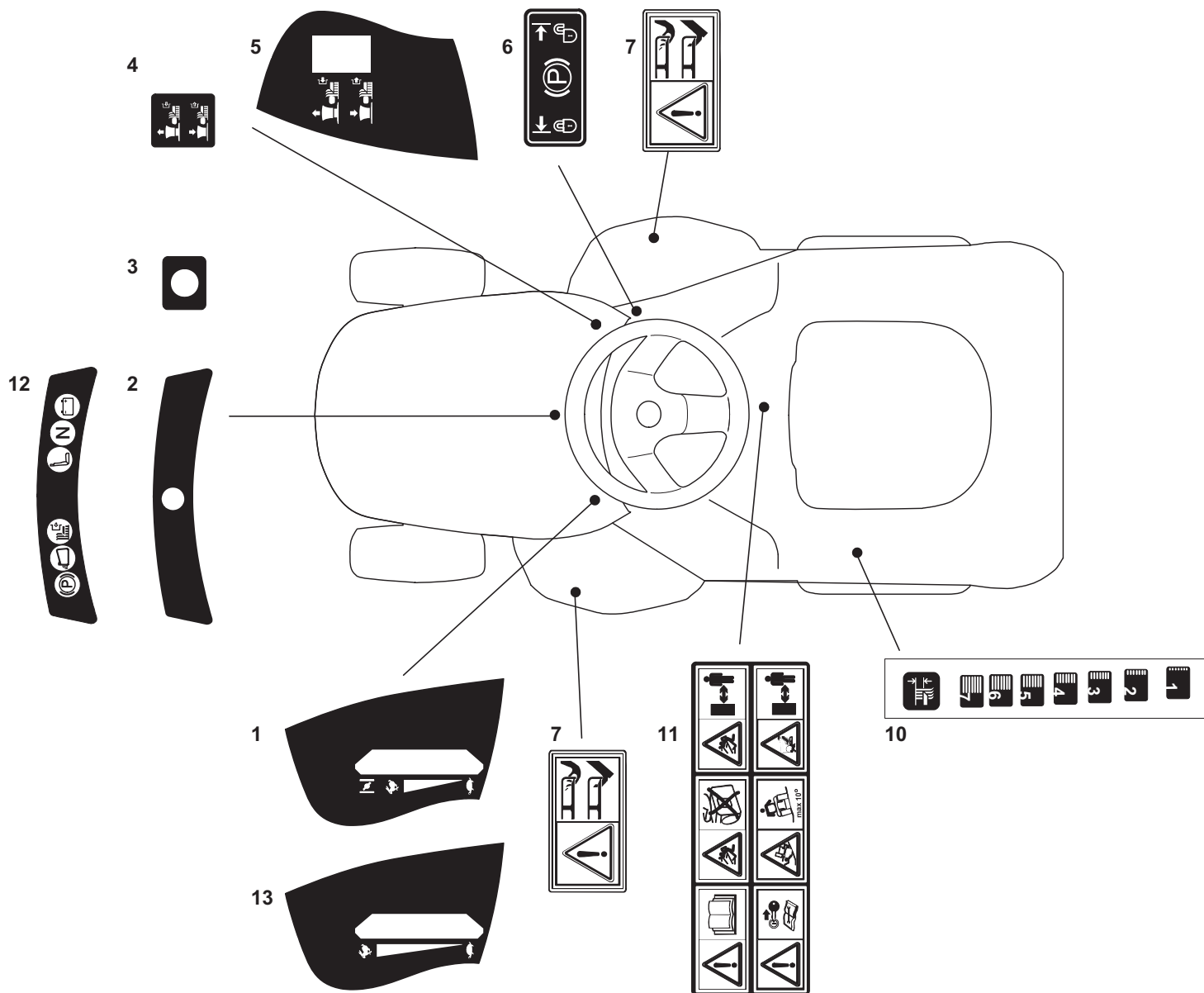
Pos. Fig.	Antal Quantity	Art No Part No	Benämning	Description	Anmärkning Notes
1	1	182040153/0	Kabel	Cables Ass.Y	
2	1	18450072/0	Brytare	Starting Switch	
3	1	18550136/0	Distans	Spacer	
4	1	18550135/0	Bricka	Washer	
5	1	18400862/0	Ringmutter	Ringnut	
6	1	18210022/0	Starting Key	Starting Key	
7	3	12727810/0	Skruv	Screw	
8	2	33320506/0	Kabelhållare	Fairled	
9	1	125722430/1	Elektroniska kort	Electronic Card (1 Led)	
10	2	33215000/0	Kåpa	Cover	
11	1	33340036/0	Säkring	Fuse 25 A	
11	1	33340040/0	Säkring	Fuse 10A	
12	2	33500007/0	Säkring	Fuse Carrier	
13	3	119410615/0	Brytare	Micro	
14	1	19410605/1	Brytare	Full Grasscat. Microsw.	
24	1	82040070/0	Kabel	Cable	
25	2	33500030/0	Lamp Holder	Lamp Holder	
26	2	18459100/0	Farilamp For Lights	Farilamp For Lights	
27	1	18450068/0	Kopplingshus	Clutch Switch	
28	1	18450060/1	Farilamp Switch	Farilamp Switch	
31	1	18120002/1	Batteri	Battery	
33	1	18564861/1	Tätningshylsa	Protection	
35	9	33320506/0	Kabelhållare	Fairled	
36	1	27772099/1	Fäste	Clamp	
37	1	382785191/0	Batteriplatta	Battery Support	
38	3	12155000/0	Mutter	Nut	





## SC 9013

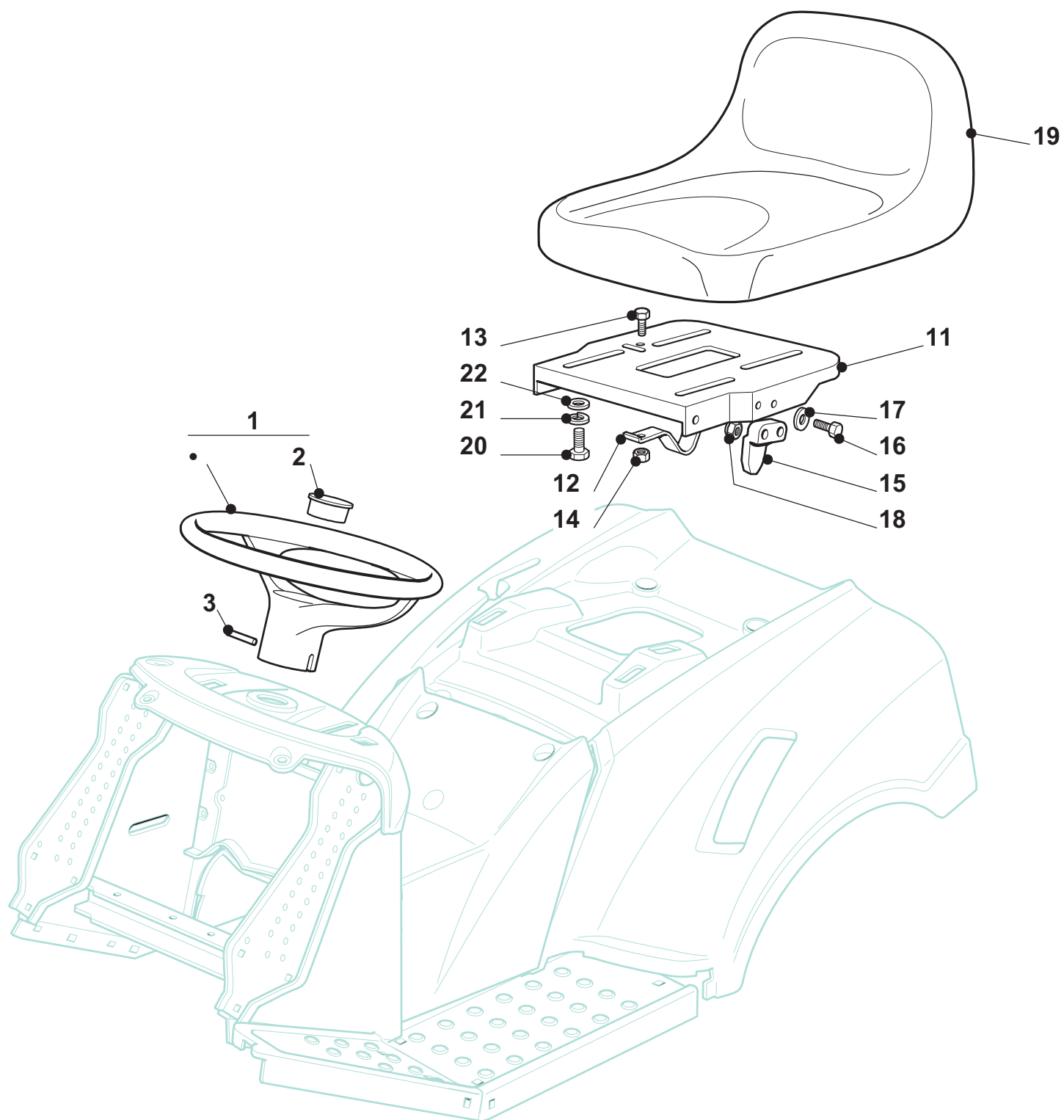
Pos. Fig.	Antal Quantity	Art No Part No	Benämning	Description	Anmärkning Notes
2	1	82869035/0	Stöd	Support	
3	2	25510022/0	Stift	Pin	
4	2	24487998/0	Låsnål	Cotter Pin	
5	1	82180062/0	Skruvsats	Screws Outfit	
22	1	25519997/1	Weight	Weight	
23	3	12760520/0	Skruv	Screw	
24	3	12155000/0	Mutter	Nut	
42	1	25510021/1	Stift	Pin	
43	1	24487999/0	Låsnål	Cotter Pin	
51	1	182180090/0	Batteriladdare	Battery Charger	
72	1	25140093/0	Deflektor	Deflector	
73	1	25394007/0	Styre	Handle	
74	1	25510077/0	Stift	Pin	
75	1	25430245/0	Fjäder	Spring	
76	1	12735410/0	Skruv	Screw	
77	1	25280000/1	Handtag	Handgrip	
78	1	25840011/1	Stång	Elastic Tie-Rod	
79	2	25253004/0	Hake	Hook	





## SC 9013

Pos. Fig.	Antal Quantity	Art No Part No	Benämning	Description	Anmärkning Notes
2	1	25420019/0	Dekal	Label	
3	1	25420018/0	Dekal	Label	
4	1	14361438/0	Dekal	Label	
6	1	14361452/0	Dekal	Label	
7	2	114356699/1	Dekal	Label	
10	1	14361441/0	Dekal	Label	
11	1	14361553/0	Dekal	Label	

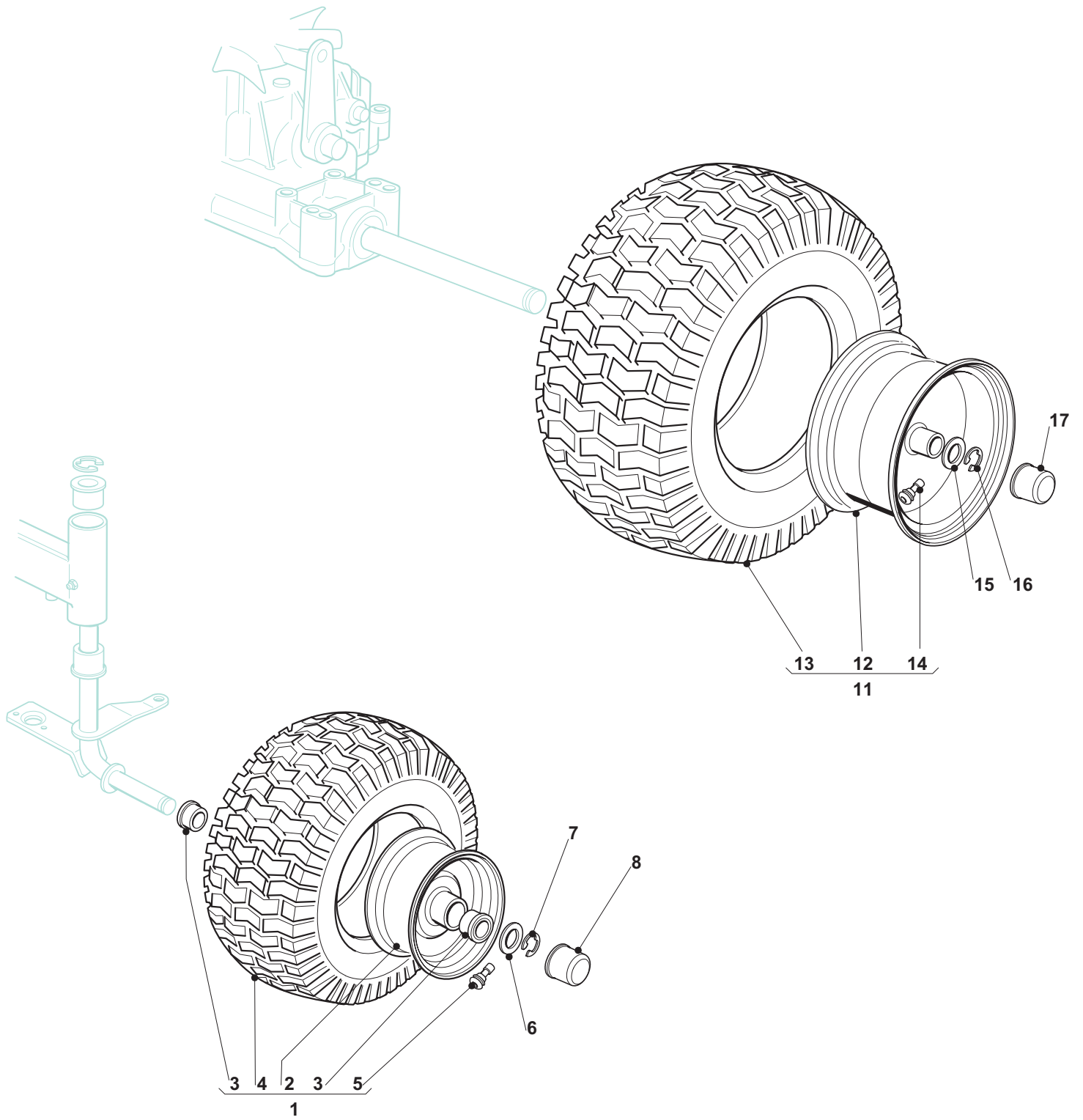






## SC 9013

Pos. Fig.	Antal Quantity	Art No Part No	Benämning	Description	Anmärkning Notes
1	1	25961201/0	Rott	Steering Wheel	
2	1	25120230/0	Lock	Cap	
3	1	12620299/0	Stift	Pin	
11	1	25547033/1	Tavla	Plate	
12	1	25430223/2	Fjäder	Spring	
13	1	12789000/0	Skruv	Screw	
14	1	12154330/0	Mutter	Nut	
15	1	27063021/1	Fäste	Cam	
16	2	12789100/0	Skruv	Screw	
17	2	12523020/0	Bricka	Washer	
18	2	12154330/0	Mutter	Nut	
19	1	125722470/0	Seat	Seat	
20	4	12793101/0	Skruv	Screw	
21	4	12583500/0	Bricka	Grower	
22	4	12523060/0	Bricka	Washer	





Pos. Fig.	Antal Quantity	Art No Part No	Benämning	Description	Anmärkning Notes
1	2	82680005/1	Framhjul Kpl	Front Wheel	
2	2	82000590/1	Rimm	Rimm	
3	4	25122200/2	Kullager	Bearing	
4	2	25590002/0	Dack	Tire	
5	2	25950000/0	Ventil	Valve	
6	2	25670005/1	Bricka	Washer	
7	2	12001000/0	Låsring	Snap Ring	
8	2	22110230/0	Huvstöd	Cap	
11	2	82680006/0	Bakrehjul	Rear Wheel	
12	2	82000592/0	Rimm	Rimm	
13	2	25590003/0	Dack	Tire	
14	2	25950000/0	Ventil	Valve	
15	2	25670005/1	Bricka	Washer	
16	2	12001010/0	Låsring	Benzing	
17	2	22110230/0	Huvstöd	Cap	