

Genuine Spare Parts

www.stiga.com

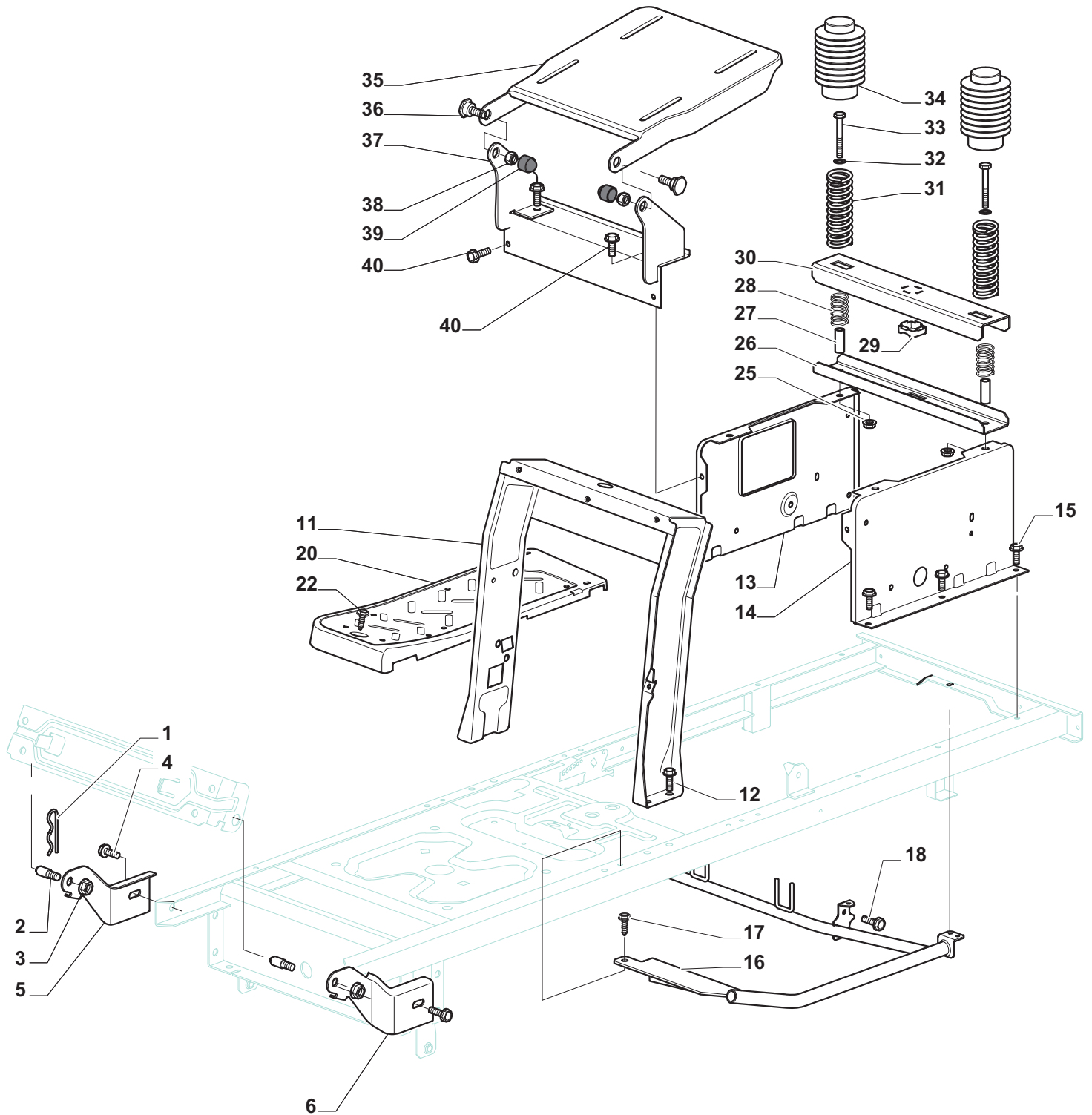
SD 10816 Model Year 2011

- Use GLOBAL GARDEN PRODUCT Genuine Spare Parts specified in the parts list for repair and/or replacement.
- The contents described in the parts list may change due to improvement.
- The drawings of the spare parts are only indicative and might not represent the part in question exactly.
- The indications "right" - "left" - "front" - "rear" refer to the position of the operator when using the machine.
- When placing orders of parts for repair and/or replacement, make sure that the illustrated parts list is the one applying to the machine's year of manufacture, as shown on the identification plate attached to the machine.

COPYRIGHT by GLOBAL GARDEN PRODUCTS

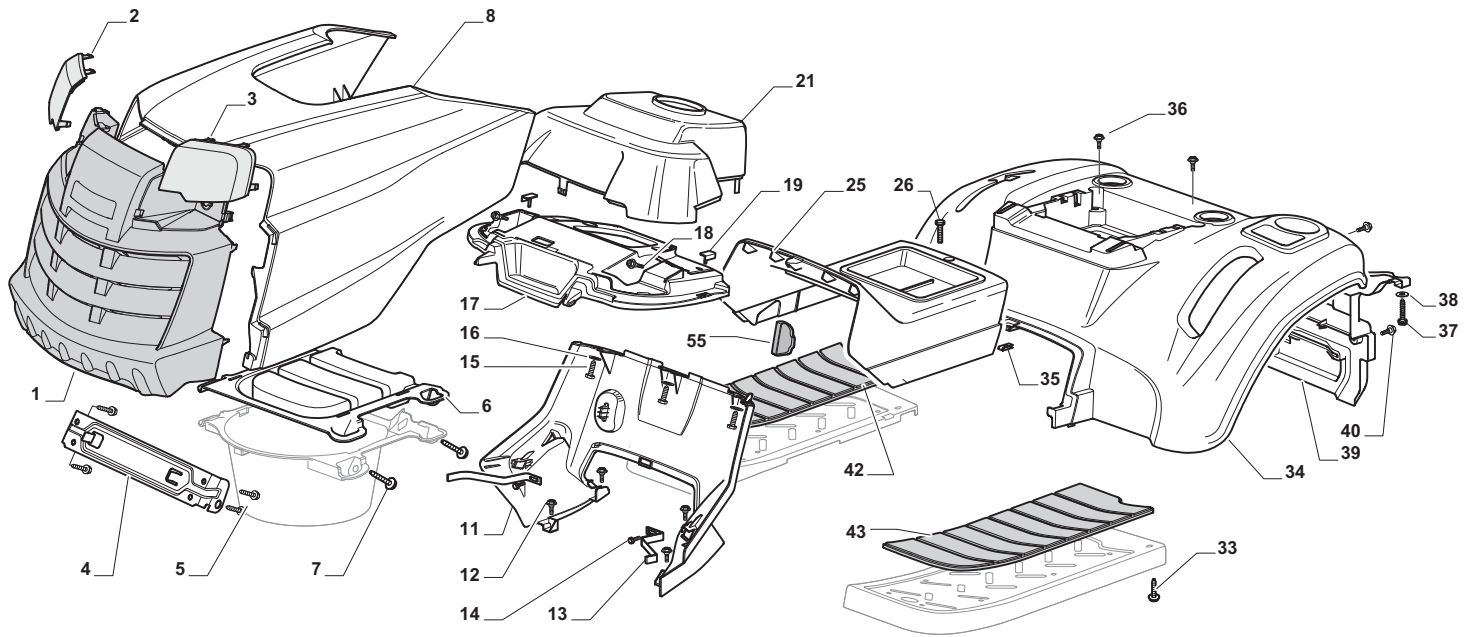
All rights reserved. No part of this material may be reproduced or transmitted, in any form or by any means, electronic or mechanical, including photocopying, recording or by any information storage and retrieval system, without permission in writing from GLOBAL GARDEN PRODUCTS.





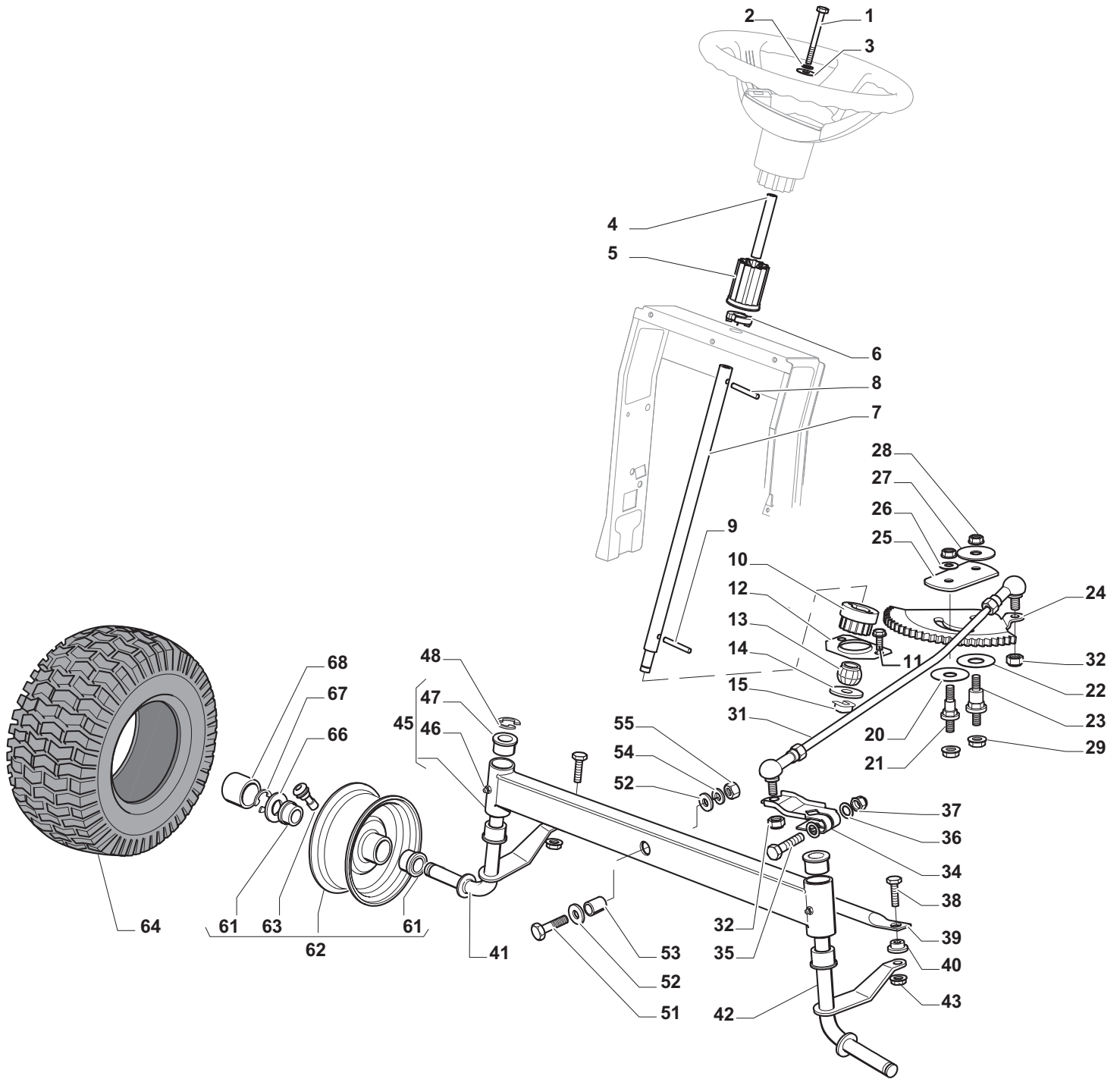


Pos. Fig.	Antal Quantity	Art No Part No	Benämning	Description	Anmärkning Notes
1	1	24487998/0	Låsnål	Cotter Pin	
2	2	25510079/0	Stift	Pin	
3	2	12154210/0	Mutter	Nut	
4	2	12735599/0	Skruv	Screw	
5	1	325547225/0	Trombocyt-hö	Right Plate	
6	1	325547227/0	Trombocyt-vä	Left Plate	
11	1	382785169/1	Stöd	Steering Column Support	
12	4	125943009/0	Skruv	Screw	
13	1	325785331/0	Stöd	Right Seat Support	
14	1	325785333/0	Stöd	Left Seat Support	
15	6	125943009/0	Skruv	Screw	
16	1	382785179/0	Fotsteg Stöd	Footboard Support	
17	2	125943009/0	Skruv	Screw	
18	2	125943009/0	Skruv	Screw	
20	1	325500041/1	Fotsteg-hö	Right Footboard	
21	1	325500043/1	Fotsteg-Vä	Left Footboard	
22	2	12735599/0	Skruv	Screw	
25	2	12293201/0	Mutter	Nut	
26	1	325820109/0	Seat Support	Seat Support	
27	2	125160048/0	Distans	Spacer	
28	2	125430263/0	Fjäder	Spring	
29	1	325060038/0	Fäste	Cam	
30	1	325820105/0	Stöd	Support	
31	2	125430264/0	Fjäder	Spring	
32	2	12521350/0	Bricka	Washer	
33	2	12691400/0	Skruv	Right Screw	
34	2	325122002/0	Hood	Hood	
35	1	382547061/0	Tavla	Plate	
36	2	22524970/2	Stift	Pin	
37	1	382820151/0	Seat Support	Seat Support	
38	2	12155010/0	Mutter	Nut	
39	2	118203854/0	Tätningshylsa	Protection	
40	4	125943009/0	Skruv	Screw	



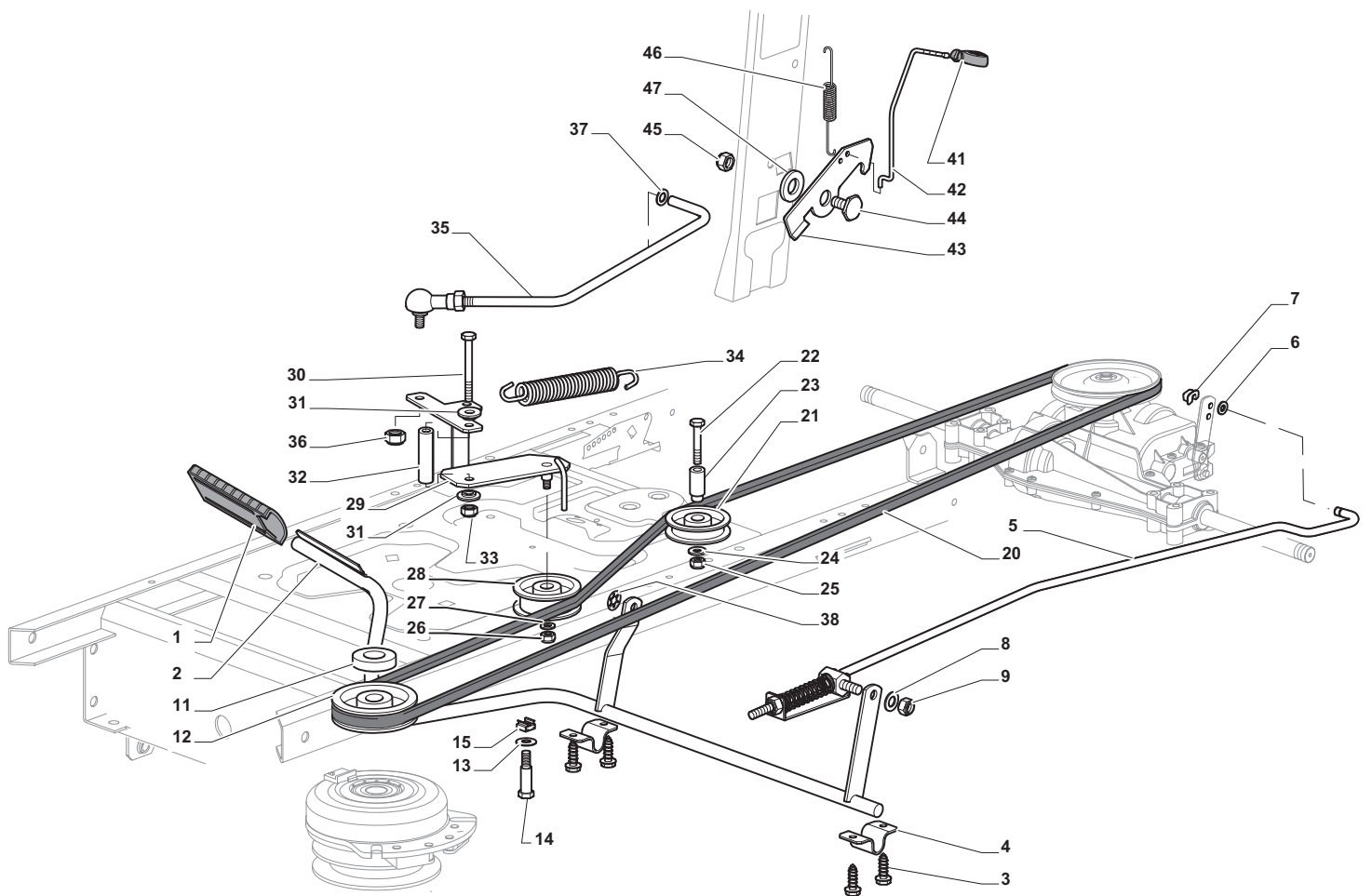


Pos. Fig.	Antal Quantity	Art No Part No	Benämning	Description	Anmärkning Notes
1	1	325076914/0	Hood, Front	Hood, Front	
2	1	325410903/0	Frontkåpa-hö	Right Grill	
3	1	325410904/0	Frontkåpa-vä	Left Grill	
4	1	325785365/0	Motorhuv	Engine Hood Support	
5	4	12735403/0	Skruv	Screw	
6	1	325263302/1	Air Intake Grill	Air Intake Grill	
7	4	112728692/0	Skruv	Screw	
8	1	325076913/0	Black Hood SDS	Black Hood SDS	
11	1	325785298/0	Instrumentbrädal-Stöd	Dashboard Support	
12	4	125943010/0	Skruv	Screw	
13	2	325270325/0	Guide	Guide	
14	2	12735599/0	Skruv	Screw	
15	3	112735406/0	Skruv	Screw	
16	3	12523040/0	Bricka	Washer	
17	1	325120202/1	Instrumentbräda	Dashboard	
18	2	125943010/0	Skruv	Screw	
19	2	325260003/0	Hylsa	Grommet	
21	1	325120203/0	Kåpa	Cover	
25	1	325110397/1	Kåpa-svart	Cover, Black	
26	1	125943010/0	Skruv	Screw	
33	4	112735406/0	Skruv	Screw	
34	1	325110400/0	Wheels Cover Black	Wheels Cover Black	
35	1	112437506/0	Trombocyt	Plate	
36	2	125943010/0	Skruv	Screw	
37	2	112735406/0	Skruv	Screw	
38	2	12523040/0	Bricka	Washer	
39	1	325547208/1	Tavla	Plate	
40	2	125943010/0	Skruv	Screw	
42	1	325110384/0	Fotsteg-hö täcka	Right Footboard Cover	
43	1	325110385/0	Fotsteg-Vä täcka	Left Footboard Cover	
47	4	12523060/0	Bricka	Washer	
55	1	325207191/0	Trombocyt	Plate	



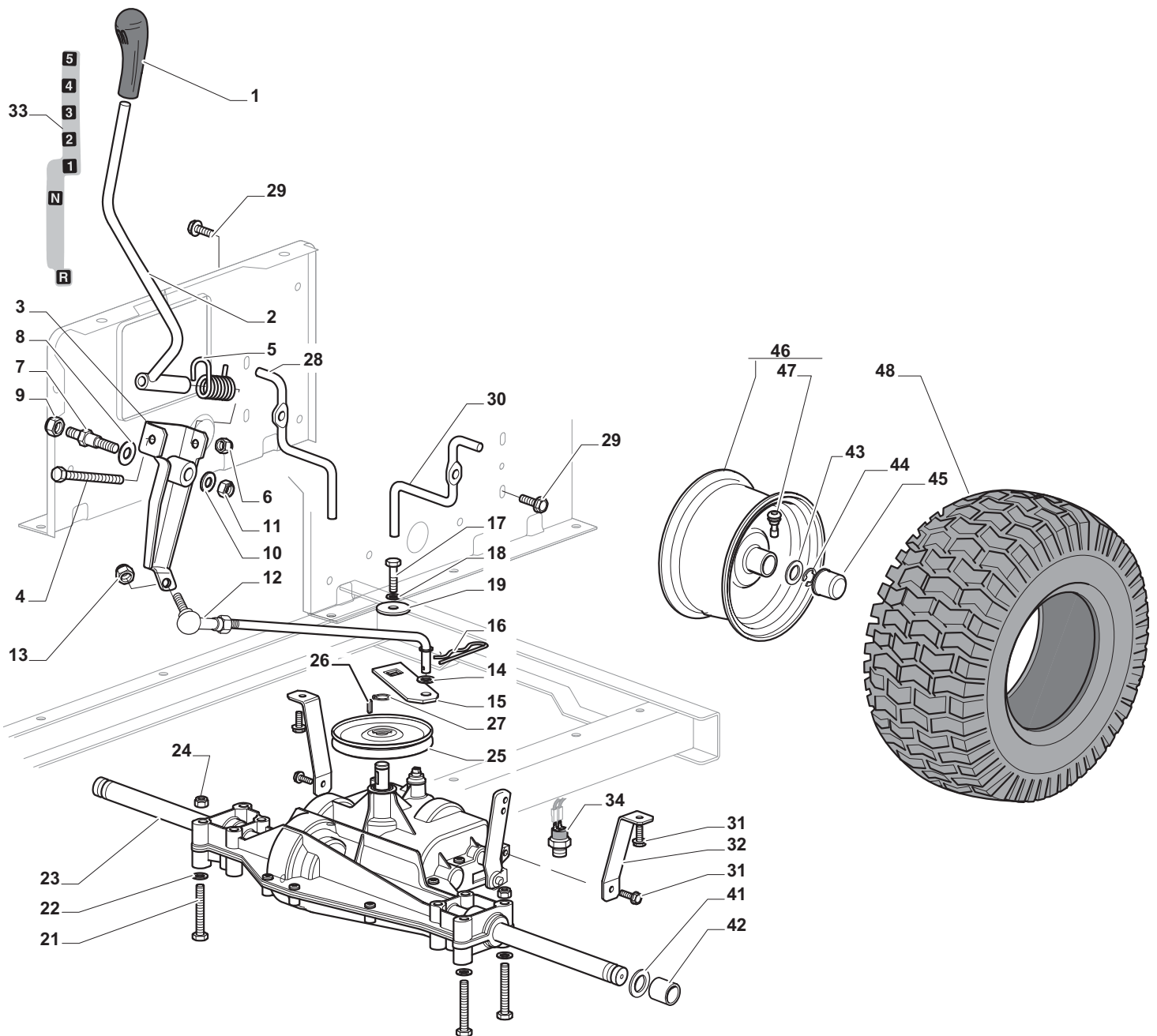


Pos. Fig.	Antal Quantity	Art No Part No	Benämning	Description	Anmärkning Notes
1	1	12692050/0	Skruv	Screw	
2	1	12540260/0	Bricka	Washer	
3	1	12523070/0	Bricka	Washer	
4	1	125160047/0	Distans	Spacer	
5	1	325785318/0	Stöd	Support	
6	1	325038008/0	Bussning	Bush	
7	1	125520007/0	Steering Column	Steering Column	
8	1	112620300/0	Stift	Pin	
9	1	12622650/0	Stift	Pin	
10	1	125570003/0	Drev	Pinion	
11	2	27943051/0	Skruv	Screw	
12	1	325785213/1	Stöd	Support	
13	1	25743000/0	Ledkåpa, Vä+Hö	Joint	
14	1	12521370/0	Bricka	Washer	
15	1	12436030/0	Trombocyt	Plate	
20	1	22672151/0	Bricka	Washer	
21	1	125510104/0	Stift	Pin	
22	1	125670023/0	Bricka	Washer	
23	1	125510109/0	Stift	Pin	
24	1	325735519/0	Steering Shaft	Steering Shaft	
25	1	325547233/0	Tavla	Plate	
26	1	12369500/0	Bricka	Washer	
27	1	22160400/0	Dammskydd	Dust Cover	
28	2	12155010/0	Mutter	Nut	
29	2	12154210/0	Mutter	Nut	
31	1	382000566/0	Stång	Steering Rod	
32	2	12156602/0	Mutter	Nut	
34	1	325318243/0	Spak	Lever	
35	1	12692390/0	Skruv	Screw	
36	2	12521360/0	Bricka	Washer	
37	1	12156602/0	Mutter	Nut	
38	2	125510103/0	Stift	Pin	
39	1	325840029/0	Gasreglagelänk	Tie Rod	
40	2	325038007/0	Bussning	Bush	
41	1	382230373/0	Right Stub Axle	Right Stub Axle	
42	1	382230375/0	Left Stub Axle	Left Stub Axle	
43	2	12155000/0	Mutter	Nut	
45	1	382034030/0	Equalizer With Bush (With 36 + 37)	Equalizer With Bush And Lubricator	
46	2	12379511/0	Smörjnippel	Grease Dispenser	
47	4	25034002/1	Bussning	Brass	
48	1	12001010/0	Låsring	Benzing	
51	1	12692695/0	Skruv	Screw	
52	2	12523100/0	Bricka	Washer	
53	1	25160016/0	Distans	Spacer	
54	1	12587100/0	Bricka	Washer	
55	1	12295300/0	Mutter	Nut	
61	4	25122200/2	Kullager	Bearing	
62	2	182000598/0	Rimm	Rimm	
63	2	25950000/0	Ventil	Valve	
64	2	127590066/0	Dack	Tire	
66	2	25670005/1	Bricka	Washer	
67	2	12001010/0	Låsring	Benzing	
68	2	322110233/0	Navkapsel	Hub Cover	



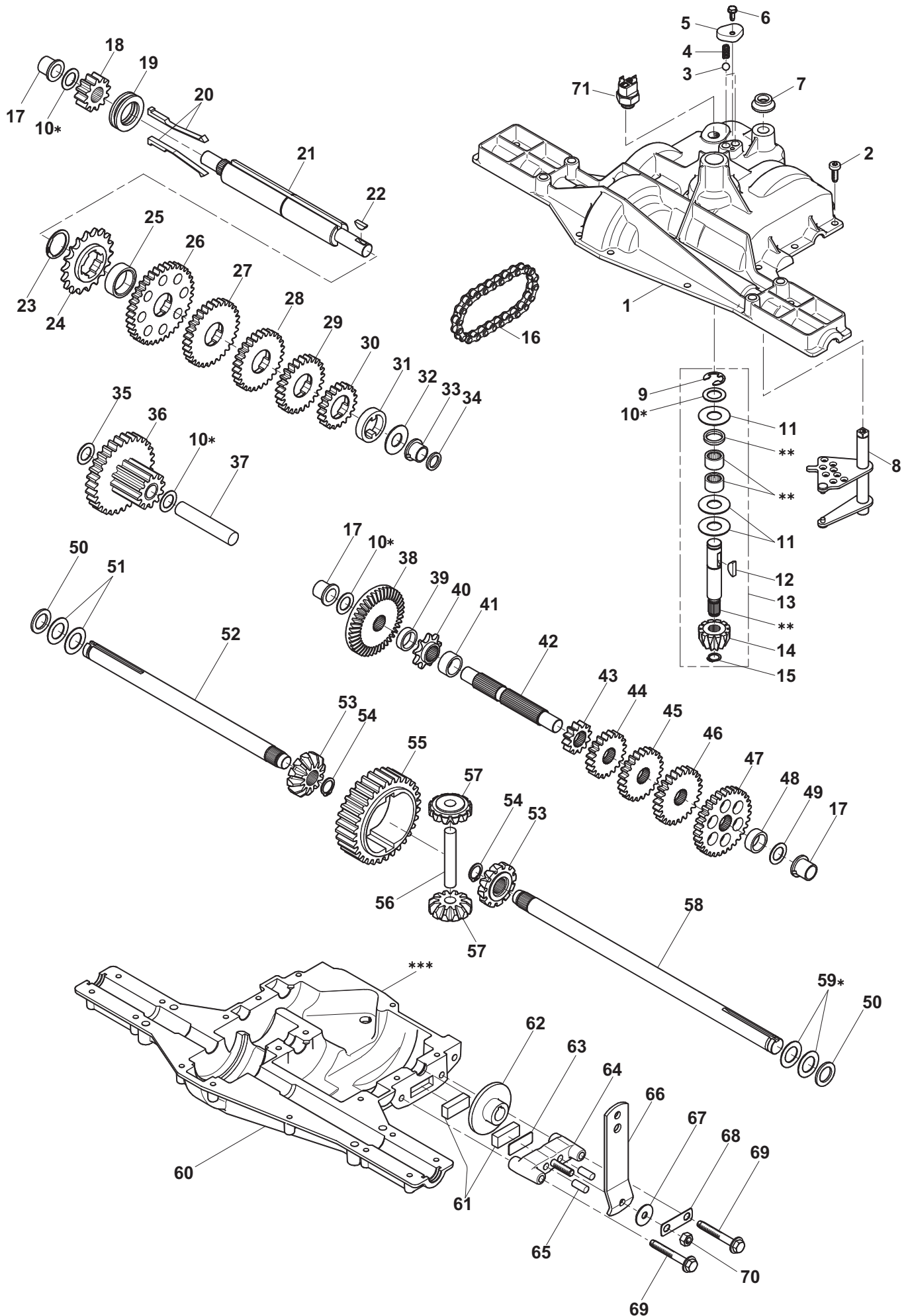


Pos. Fig.	Antal Quantity	Art No Part No	Benämning	Description	Anmärkning Notes
1	1	325110391/0	Clamp Cover	Clamp Cover	
2	1	382500033/0	Pedal	Pedal	
3	4	12735599/0	Skruv	Screw	
4	2	325547231/0	Trombocyt	Plate	
5	1	382000568/0	Länk	Rod	
6	1	12521350/0	Bricka	Washer	
7	1	12436050/0	Trombocyt	Plate	
8	1	25670011/0	Bricka	Washer	
9	1	12155000/0	Mutter	Nut	
11	1	25160021/0	Distans	Spacer	
12	1	25601567/0	Remskiva	Pulley	
13	2	12524010/0	Bricka	Washer	
14	2	25580030/0	Remstyrning	Belt Guide	
15	2	12360425/0	Mutter	Nut	
20	1	135062013/0	Drivrem	Belt	
21	1	25601555/0	Remskiva	Pulley	
22	1	12691400/0	Skruv	Right Screw	
23	1	125160051/0	Distans	Spacer	
24	1	12523060/0	Bricka	Washer	
25	1	12155000/0	Mutter	Nut	
26	1	12155000/0	Mutter	Nut	
27	1	12523060/0	Bricka	Washer	
28	1	25601554/0	Remskiva	Pulley	
29	1	382318235/0	Spak	Lever	
30	1	12691600/0	Skruv	Screw	
31	2	25038002/1	Bussning	Bush	
32	1	25160027/0	Distans	Spacer	
33	1	12155000/0	Mutter	Nut	
34	1	125430262/0	Fjäder	Spring	
35	1	382820016/0	Tie Rod Ass.Y	Tie Rod Ass.Y	
36	1	12293201/0	Mutter	Nut	
37	1	12521350/0	Bricka	Washer	
38	1	12604899/0	Låsbricka	Crown Fastener	
41	1	325394534/0	Knopp	Knob	
42	1	125033083/0	Länk	Rod	
43	1	325253011/0	Hake	Hook	
44	1	22524970/2	Stift	Pin	
45	1	12155000/0	Mutter	Nut	
46	1	25430213/0	Fjäder	Spring	
47	1	12523060/0	Bricka	Washer	



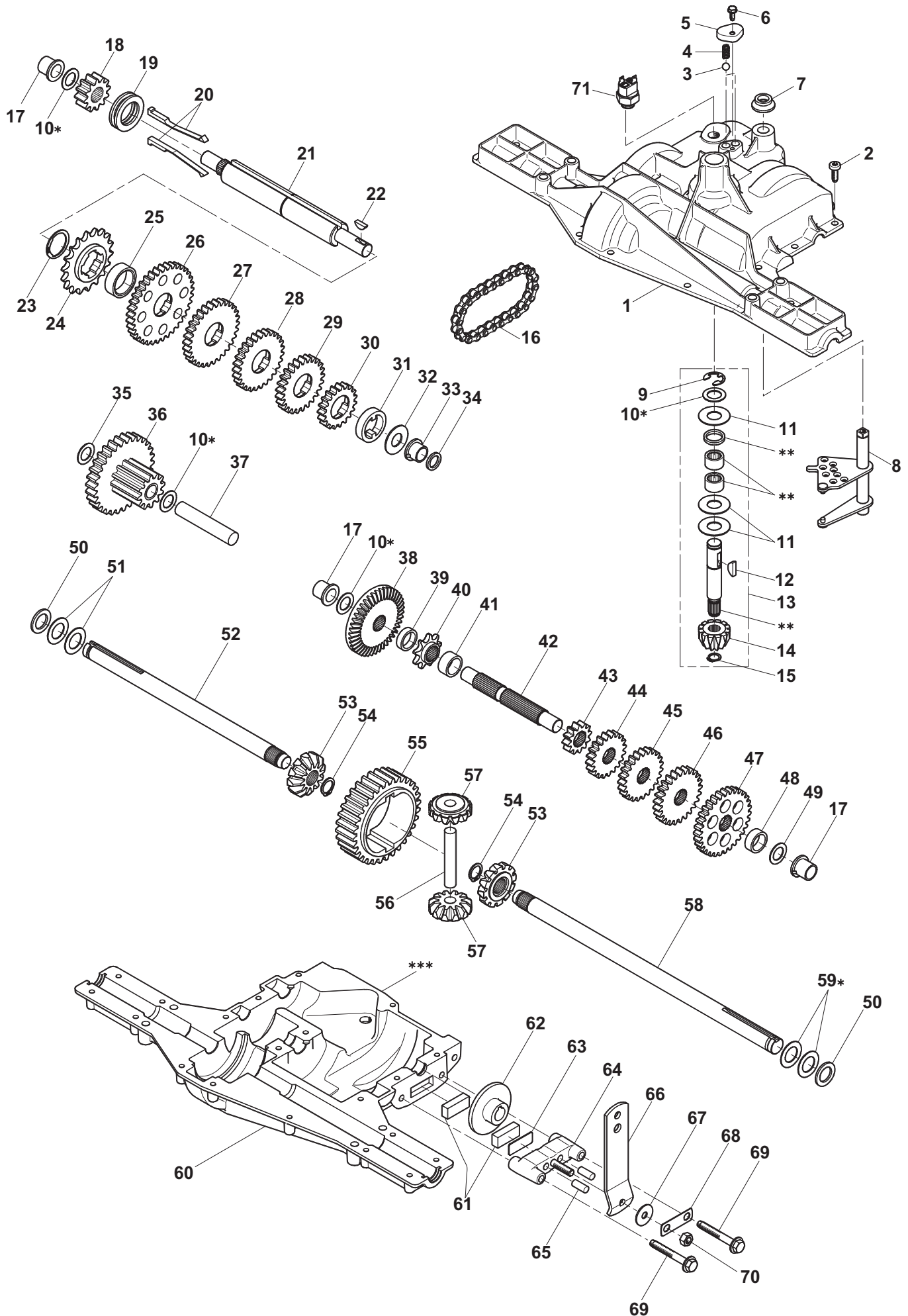


Pos. Fig.	Antal Quantity	Art No Part No	Benämning	Description	Anmärkning Notes
1	1	325394532/0	Knopp	Knob	
2	1	382318233/0	Spak	Lever	
3	1	382774259/0	Fäste	Clamp	
4	1	12692050/0	Skruv	Screw	
5	1	25430226/0	Fjäder	Spring	
6	1	12155000/0	Mutter	Nut	
7	1	25510035/0	Stift	Pin	
8	1	22672151/0	Bricka	Washer	
9	1	12293201/0	Mutter	Nut	
10	1	12523060/0	Bricka	Washer	
11	1	12155010/0	Mutter	Nut	
12	1	382000567/0	Länk	Rod	
13	1	12154210/0	Mutter	Nut	
14	1	12521340/0	Bricka	Washer	
15	1	325318235/0	Spak	Lever	
16	1	12141418/0	Bricka	Washer	
17	1	12735520/0	Skruv	Screw	
18	1	12540040/0	Bricka	Washer	
19	1	22680009/0	Bricka	Washer	
21	4	12691600/0	Skruv	Screw	
22	4	12521350/0	Bricka	Washer	
23	1	18400912/0	Rear Axle Dana 4360-211	Rear Axle (Dana 4360-211)	
24	4	12155000/0	Mutter	Nut	
25	1	82601509/0	Remskiva	Pulley	
26	1	12139430/0	Kil	Key	
27	1	12608950/0	Låsring	Seeger	
28	1	125270329/0	Remstyrning	Belt Guide	
29	2	12735599/0	Skruv	Screw	
30	1	125270330/0	Remstyrning	Belt Guide	
31	4	125943009/0	Skruv	Screw	
32	2	325785315/0	Stöd	Support	
33	1	114363451/0	Dekal	Label	
34	1	19410610/0	Brytare	Microswitch	
41	2	25670005/1	Bricka	Washer	
42	2	125160055/0	Distans	Spacer	
43	6	25670005/1	Bricka	Washer	
44	2	12001010/0	Låsring	Benzing	
45	2	322110233/0	Navkapsel	Hub Cover	
46	2	382000597/0	Rimm	Rimm	
47	2	25950000/0	Ventil	Valve	
48	2	125590015/0	Dack	Shoe	



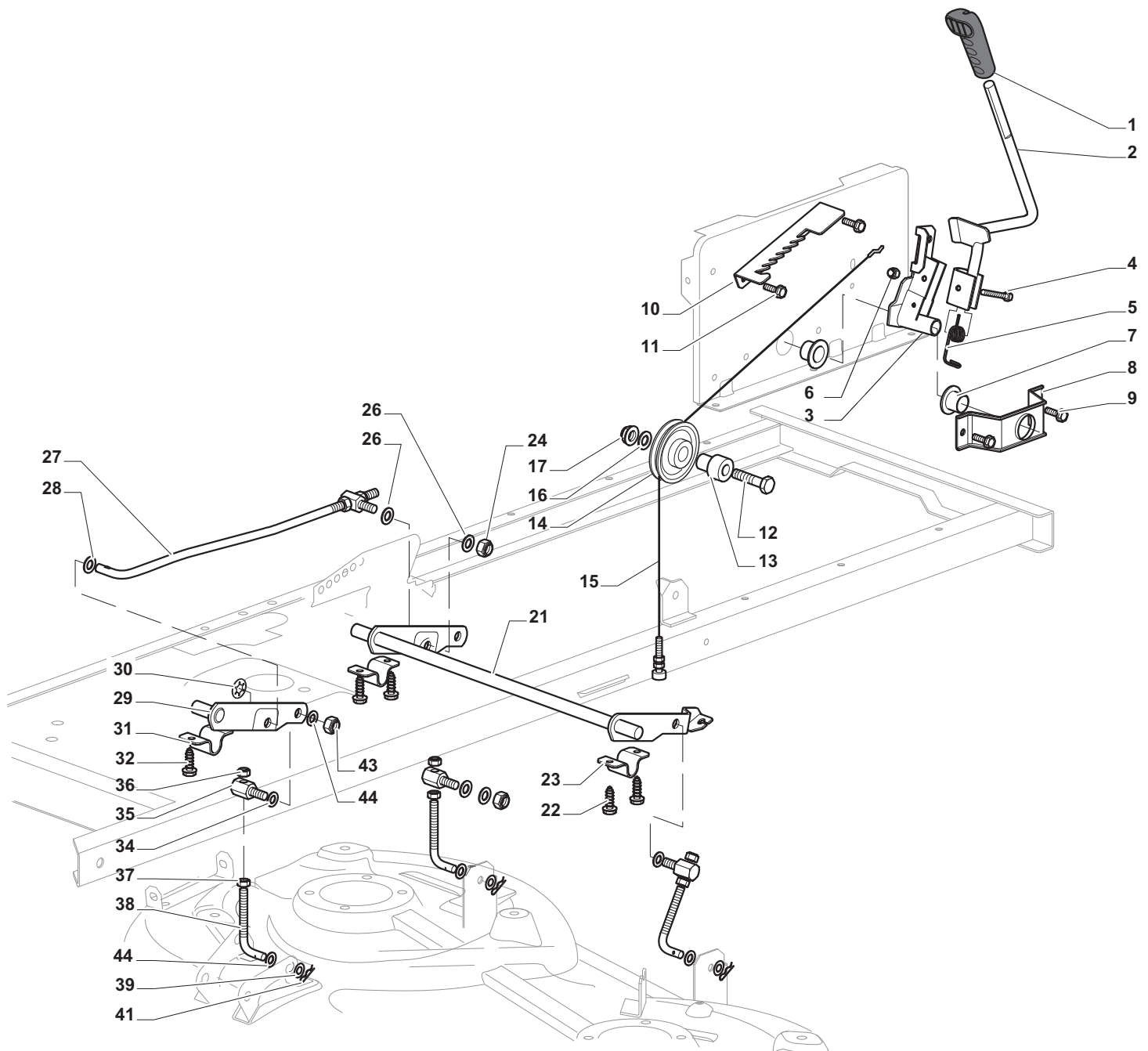


Pos. Fig.	Antal Quantity	Art No Part No	Benämning	Description	Anmärkning Notes
1	1	F000-5962-AC	Housing, Upper	Housing, Upper	
2	16	F000-1919-00	Screw, Tapping, 43922 X .734	Screw, Tapping, 43922 X .734	
3	2	F000-5947-00	Ball, Detent	Ball, Detent	
4	2	F000-5948-00	Spring, Detent	Spring, Detent	
5	1	F000-5950-00	Cover, Detent	Cover, Detent	
6	1	F084-0052-00	Screw, Tapping, No. 45566 X .482	Screw, Tapping, No. 45566 X .482	
7	1	F000-7010-00	V-Ring	V-Ring	
8	1	F000-6517-00	Assy, Kit, Shifter	Assy, Kit, Shifter	
9	1	F000-1106-00	Ring, Retaining	Ring, Retaining	
10	4	F000-4689-00	Assy, Kit, Shim, .625Shaft	Assy, Kit, Shim, .625Shaft	
11	3	F000-3876-00	Washer, Plain, .632 X1.38 X .046	Washer, Plain, .632 X1.38 X .046	
12	1	F000-1746-00	Key, Woodruff, No. 606	Key, Woodruff, No. 606	
13	1	F000-6595-00	Assy, Kit, Input Shaft	Assy, Kit, Input Shaft	
14	1	F000-5620-00	Pinion, Bevel, 12T	Pinion, Bevel, 12T	
15	1	F000-3624-00	Ring, Retaining	Ring, Retaining	
16	1	F000-3625-00	Chain, 24 Pitches	Chain, 24 Pitches	
17	3	F000-5510-00	Bearing, Flange	Bearing, Flange	
18	1	F000-5627-00	Gear, Spur, 12T	Gear, Spur, 12T	
19	1	F000-5303-00	Collar, Clutch	Collar, Clutch	
20	1	F000-4758-00	Assy, Kit, Clutch Keys	Assy, Kit, Clutch Keys	
21	1	F000-5737-00	Shaft, Intermediate	Shaft, Intermediate	
22	1	F000-1375-00	Key, Woodruff, No. 61	Key, Woodruff, No. 61	
23	1	F000-3627-00	Ring, Retaining	Ring, Retaining	
24	1	F000-3830-00	Sprocket, 18T	Sprocket, 18T	
25	1	F000-3841-00	Spacer, 1.131 X 1.45 X.494	Spacer, 1.131 X 1.45 X.494	
26	1	F000-5365-00	Gear, Spur, 37T	Gear, Spur, 37T	
27	1	F000-3867-00	Gear, Spur, 30T	Gear, Spur, 30T	
28	1	F000-5014-00	Gear, Spur, 27T	Gear, Spur, 27T	
29	1	F000-3783-00	Gear, Spur, 25T	Gear, Spur, 25T	
30	1	F000-5202-00	Gear, Spur, 19T	Gear, Spur, 19T	
31	1	F000-5027-00	Spacer, 1.133 X 1.50 X.375	Spacer, 1.133 X 1.50 X.375	
32	1	F000-3628-00	Washer, Plain, .640 X1.37 X .061	Washer, Plain, .640 X1.37 X .061	
33	1	F000-5511-00	Bearing, Flange	Bearing, Flange	
34	1	F000-5508-00	Seal, Oil	Seal, Oil	
35	1	F000-1425-00	Washer, Plain, .632 X1.00 X .046	Washer, Plain, .632 X1.00 X .046	
36	1	F000-6358-00	Assy, Gear, Comb., 12T& 30T	Assy, Gear, Comb., 12T& 30T	
37	1	F000-3967-00	Shaft, Idler	Shaft, Idler	
38	1	F000-7003-00	Gear, Bevel, 36T	Gear, Bevel, 36T	
39	1	F000-3630-00	Spacer, .781 X 1.00 X.281	Spacer, .781 X 1.00 X.281	
40	1	F000-3645-00	Sprocket, 9T	Sprocket, 9T	
41	1	F000-5016-00	Spacer, .781 X 1.00 X.494	Spacer, .781 X 1.00 X.494	
42	1	F000-5015-00	Shaft, Drive	Shaft, Drive	
43	1	F000-5364-00	Gear, Spur, 12T	Gear, Spur, 12T	
44	1	F000-3866-00	Gear, Spur, 20T	Gear, Spur, 20T	
45	1	F000-5013-00	Gear, Spur, 23T	Gear, Spur, 23T	
46	1	F000-3719-00	Gear, Spur, 25T	Gear, Spur, 25T	
47	1	F000-3683-00	Gear, Spur, 31T	Gear, Spur, 31T	
48	1	F000-3714-00	Spacer, .781 X 1.00 X.375	Spacer, .781 X 1.00 X.375	
49	1	F000-1145-00	Washer, Plain, .632 X1.00 X .060	Washer, Plain, .632 X1.00 X .060	
50	2	F000-5130-00	Washer, Neoprene	Washer, Neoprene	
51	2	F000-3184-00	Washer, Plain, .758 X1.25 X .031	Washer, Plain, .758 X1.25 X .031	
52	1	F000-7070-10	Axle, Lh	Axle, Lh	
53	2	F000-5622-00	Gear, Miter, 12T, Splined	Gear, Miter, 12T, Splined	
54	2	F000-5270-00	Ring, Retaining	Ring, Retaining	
55	1	F000-3839-00	Gear, Spur, 32T	Gear, Spur, 32T	
56	1	F000-3919-00	Shaft, Cross	Shaft, Cross	
57	2	F000-5623-00	Gear, Miter, 12T, Idler	Gear, Miter, 12T, Idler	
58	1	F000-7070-20	Axle, Rh	Axle, Rh	
59	1	F000-4691-00	Assy, Kit, Shim, .750Shaft	Assy, Kit, Shim, .750Shaft	
60	1	F000-5304-R0	Housing, Lower	Housing, Lower	
61	2	F000-7109-00	Puck, Friction	Puck, Friction	
62	1	F000-5960-00	Disc, Brake	Disc, Brake	
63	1	F000-3758-00	Spacer, Brake Puck	Spacer, Brake Puck	
64	1	F000-5554-00	Jaw, Brake	Jaw, Brake	
65	2	F000-3843-00	Drev	Pin, Dowel	
66	1	F000-7026-00	Spak	Lever, Actuating	



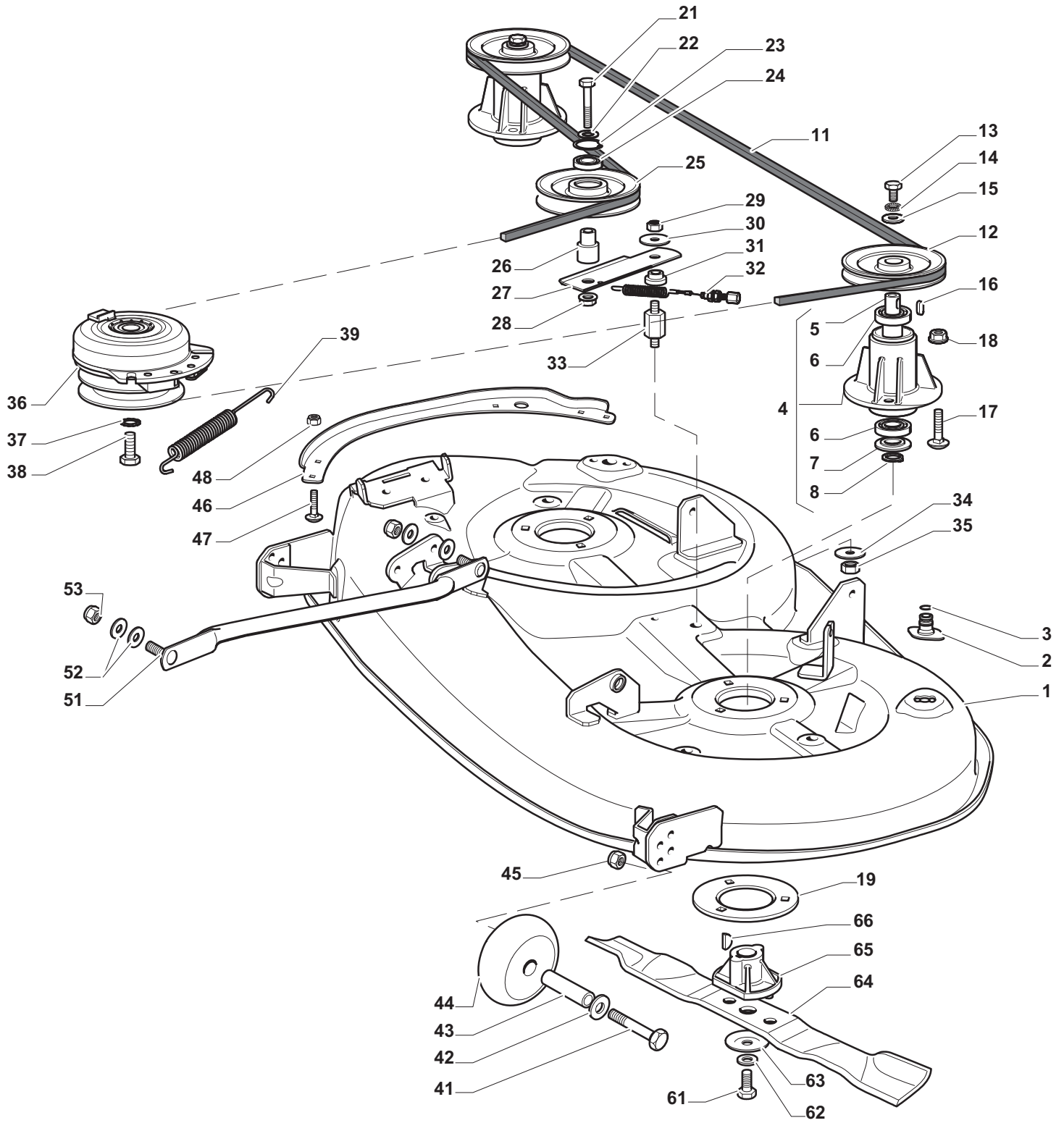


Pos. Fig.	Antal Quantity	Art No Part No	Benämning	Description	Anmärkning Notes
67	1	F000-3760-00	Washer, Plain, .321 X1.00 X .055	Washer, Plain, .321 X1.00 X .055	
68	1	F000-5555-00	Bussning	Bracket, Anti-Rotation	
69	2	F000-5562-00	Screw, Tapping, 5/16-18 X 2.35	Screw, Tapping, 5/16-18 X 2.35	
70	1	F000-3847-00	Nut, Lock, 5/16-24	Nut, Lock, 5/16-24	
71	1	19410610/0	Brytare	Microswitch	
72	1	F000-4300-00	Grease	Grease	



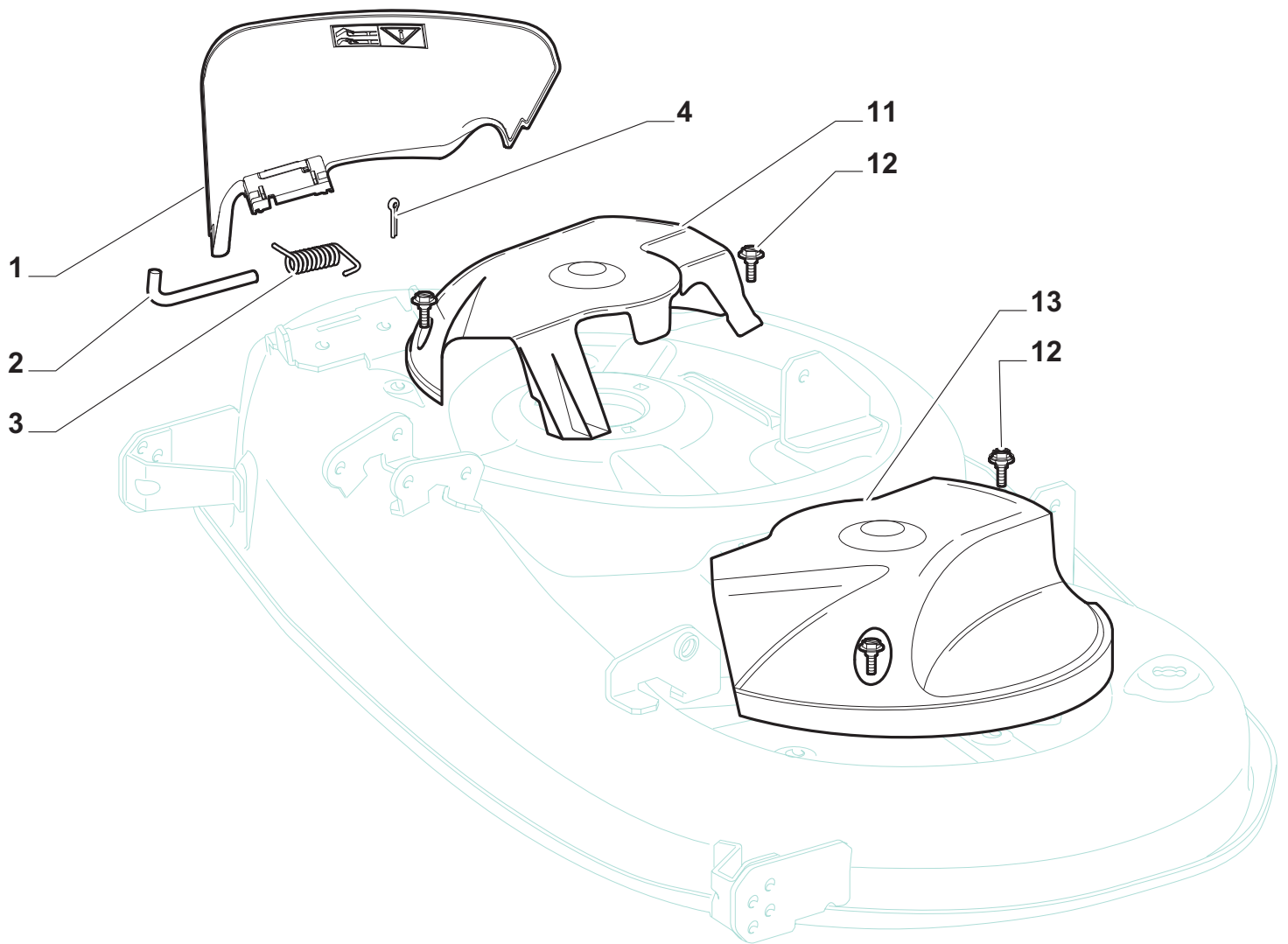


Pos. Fig.	Antal Quantity	Art No Part No	Benämning	Description	Anmärkning Notes
1	1	325394533/0	Knopp	Knob	
2	1	382318229/0	Spak	Lever	
3	1	382318231/0	Axel	Axle	
4	1	12674700/0	Skruv	Screw	
5	1	125430261/0	Fjäder	Spring	
6	1	12154510/0	Mutter	Nut	
7	2	325038006/0	Bussning	Bush	
8	1	325785297/0	Stöd	Support	
9	2	125943009/0	Skruv	Screw	
10	1	325735515/0	Steering Shaft	Steering Shaft	
11	2	125943009/0	Skruv	Screw	
12	1	12793701/0	Skruv	Screw	
13	1	125040636/0	Bussning	Bush	
14	1	125601579/0	Remskiva	Pulley	
15	1	382004620/0	Kabel	Wire	
16	1	12523060/0	Bricka	Washer	
17	1	12293201/0	Mutter	Nut	
21	1	382318239/0	Axel	Axle	
22	4	12735599/0	Skruv	Screw	
23	2	325547231/0	Trombocyt	Plate	
24	1	12155000/0	Mutter	Nut	
26	2	25670011/0	Bricka	Washer	
27	1	382000569/0	Vevstake	Connecting Rod	
28	1	12521350/0	Bricka	Washer	
29	1	382318237/0	Axel	Axle	
30	1	12604899/0	Låsbricka	Crown Fastener	
31	1	325547231/0	Trombocyt	Plate	
32	2	12735599/0	Skruv	Screw	
34	3	25670008/1	Bricka	Washer	
35	3	125510107/1	Stift	Pin	
36	3	12156602/0	Mutter	Nut	
37	3	12295200/0	Mutter	Nut	
38	3	25840012/0	Stång	Tie Rod	
39	3	12523060/0	Bricka	Washer	
41	3	24487998/0	Låsnål	Cotter Pin	
43	3	12156602/0	Mutter	Nut	
44	6	25670008/1	Bricka	Washer	



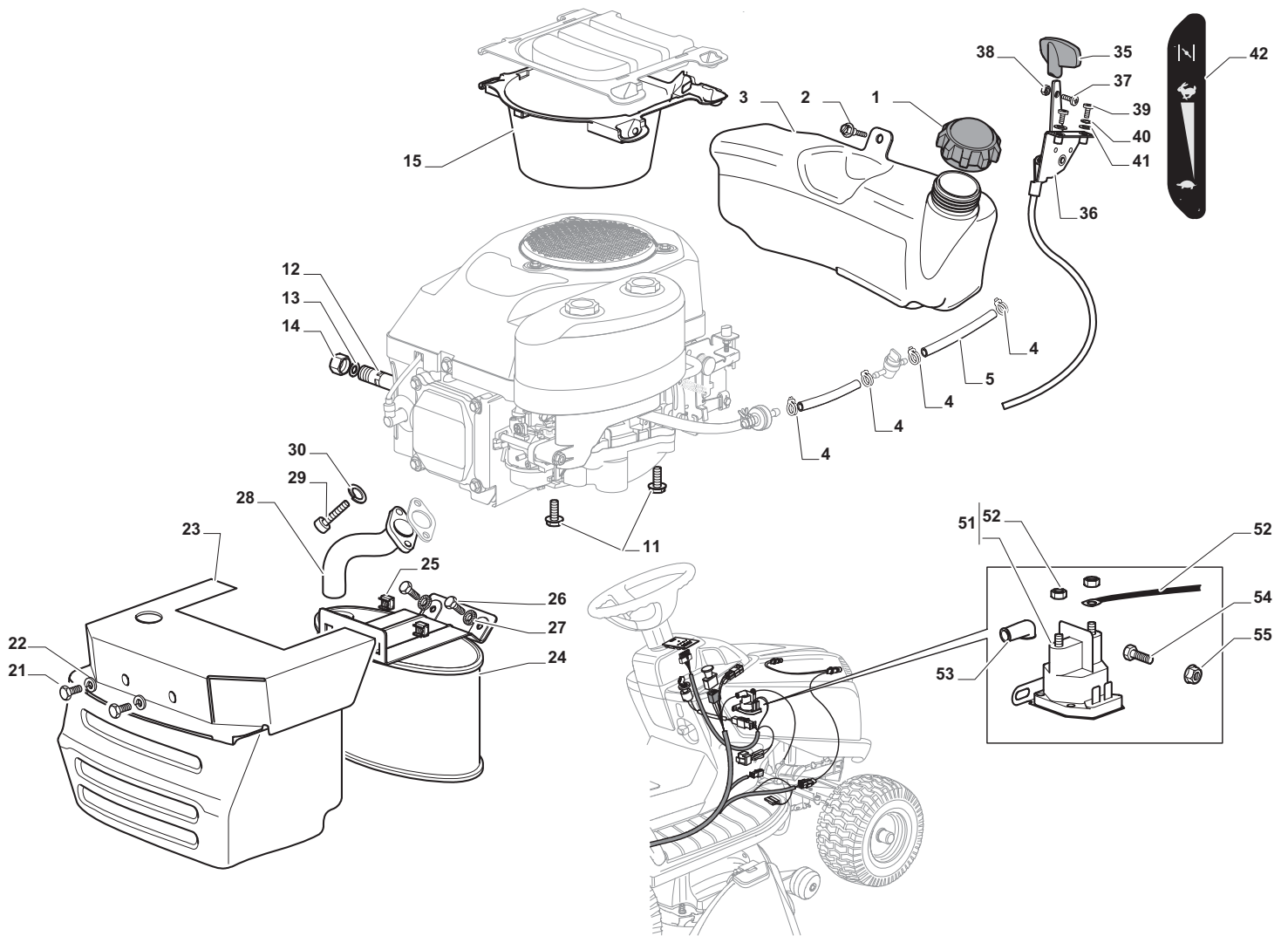


Pos. Fig.	Antal Quantity	Art No Part No	Benämning	Description	Anmärkning Notes
1	1	382565069/0	Plate, Black	Plate, Black	
2	2	325033086/0	Water Hose Connection	Water Hose Connection	
3	2	19035000/0	O-ring	Or Ring	
4	2	382207204/0	Oljefilter	Flange Ass.Y	
5	2	125020804/0	Vevaxel	Shaft	
6	4	119216047/0	Kullager	Bearing	
7	2	25160501/0	Dammskydd	Dust Cover	
8	2	12609260/0	Seeger	Seeger	
11	1	135061506/0	Drivrem	Belt	
12	2	25601571/0	Remskiva	Pulley	
13	2	12793102/0	Skruv	Screw	
14	2	12540260/0	Bricka	Washer	
15	2	25670007/0	Bricka	Washer	
16	2	12139480/0	Kil	Feather	
17	6	12818700/0	Skruv	Screw	
18	6	12154210/0	Mutter	Nut	
19	2	325160505/0	Plate	Plate	
21	1	12691800/0	Skruv	Screw	
22	1	12524010/0	Bricka	Washer	
23	1	12610800/0	Seegerring	Seeger	
24	1	119216048/0	Kullager	Bearing	
25	1	125601586/0	Remskiva	Pulley	
26	1	125160056/0	Distans	Spacer	
27	1	325318255/0	Spak	Lever	
28	1	12293201/0	Mutter	Nut	
29	1	12155020/0	Mutter	Nut	
30	1	125670022/0	Bricka	Washer	
31	1	125040635/0	Bussning	Bush	
32	1	382004619/0	Kabel	Wire	
33	1	125160057/0	Distans	Spacer	
34	1	12523080/0	Bricka	Washer	
35	1	12156602/0	Mutter	Nut	
36	1	118399062/0	Koppling	Clutch	
37	1	12543000/0	Bricka	Washer	
38	1	12737320/0	Skruv	Screw	
39	1	22430216/0	Fjäder	Spring	
41	2	12692050/0	Skruv	Screw	
42	2	12523060/0	Bricka	Washer	
43	2	25510072/0	Distans	Spacer	
44	2	82700001/0	Stödhjul	Anti Scalp Wheel Ø 100	
45	2	12293201/0	Mutter	Nut	
46	1	325547259/0	Trådbygel	Stiffening	
47	5	12815200/0	Skruv	Screw	
48	5	12154510/0	Mutter	Nut	
51	2	382000565/0	Equalizer Rod	Equalizer Rod	
52	8	25670008/1	Bricka	Washer	
53	4	12156602/0	Mutter	Nut	
61	2	12735694/0	Skruv	Screw	
62	2	12523080/0	Bricka	Washer	
63	2	22160400/0	Dammskydd	Dust Cover	
64	2	182004357/0	Kniv	Right Blade Mulching	
65	2	25463200/0	Knivfäste	Blade Hub	
66	2	12139100/0	Kil	Feather, Crankshaft Ø 22.2	



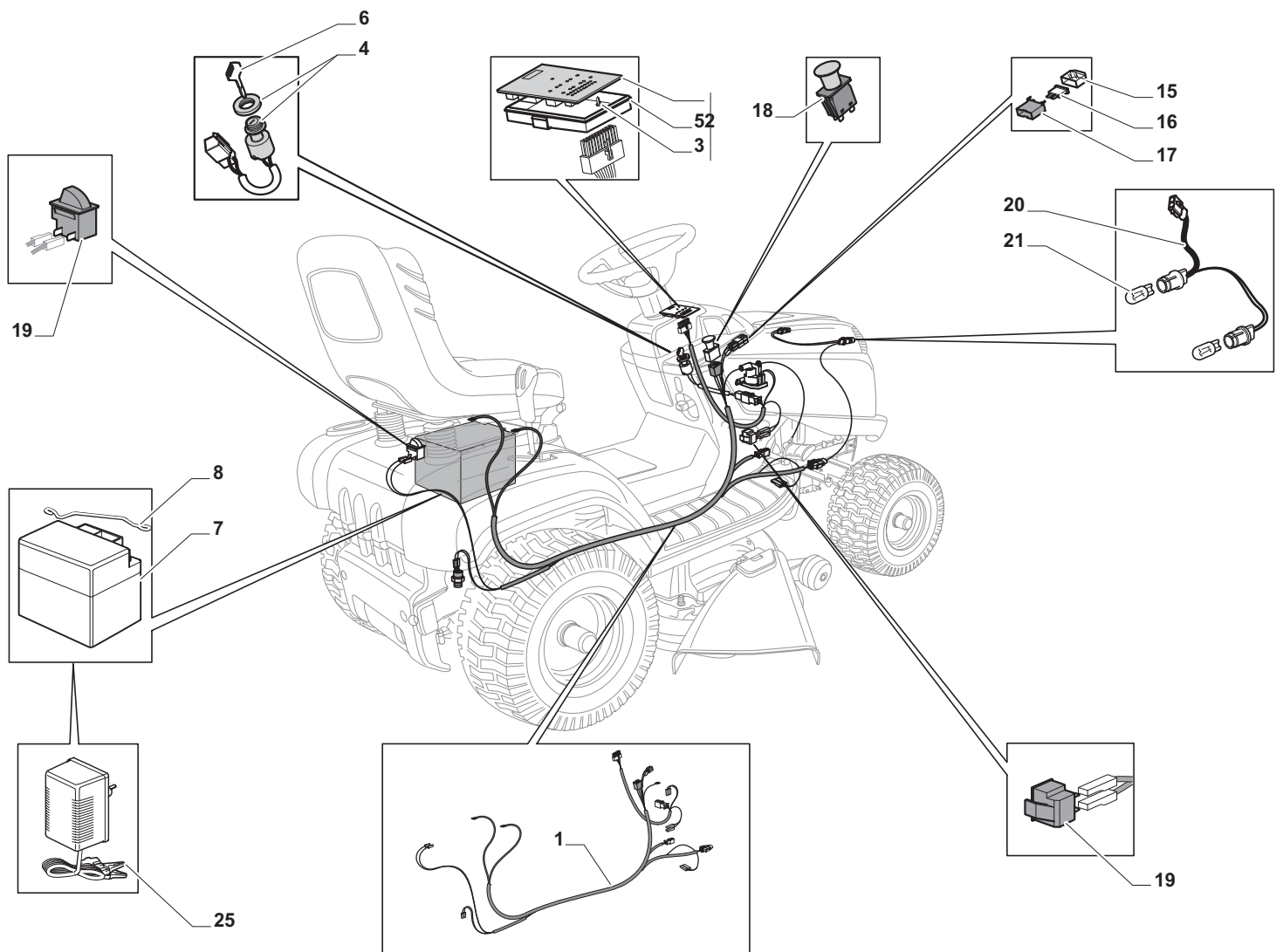


Pos. Fig.	Antal Quantity	Art No Part No	Benämning	Description	Anmärkning Notes
1	1	325600087/0	Avsluta Skydd	Exit Protection	
2	1	25510073/0	Stift	Pin	
3	1	125430242/1	Fjäder	Spring	
4	1	12141418/0	Bricka	Washer	
11	1	325600088/0	Hus	Case	
12	4	125943006/0	Skruv	Screw	
13	1	325600089/0	Hus	Case	



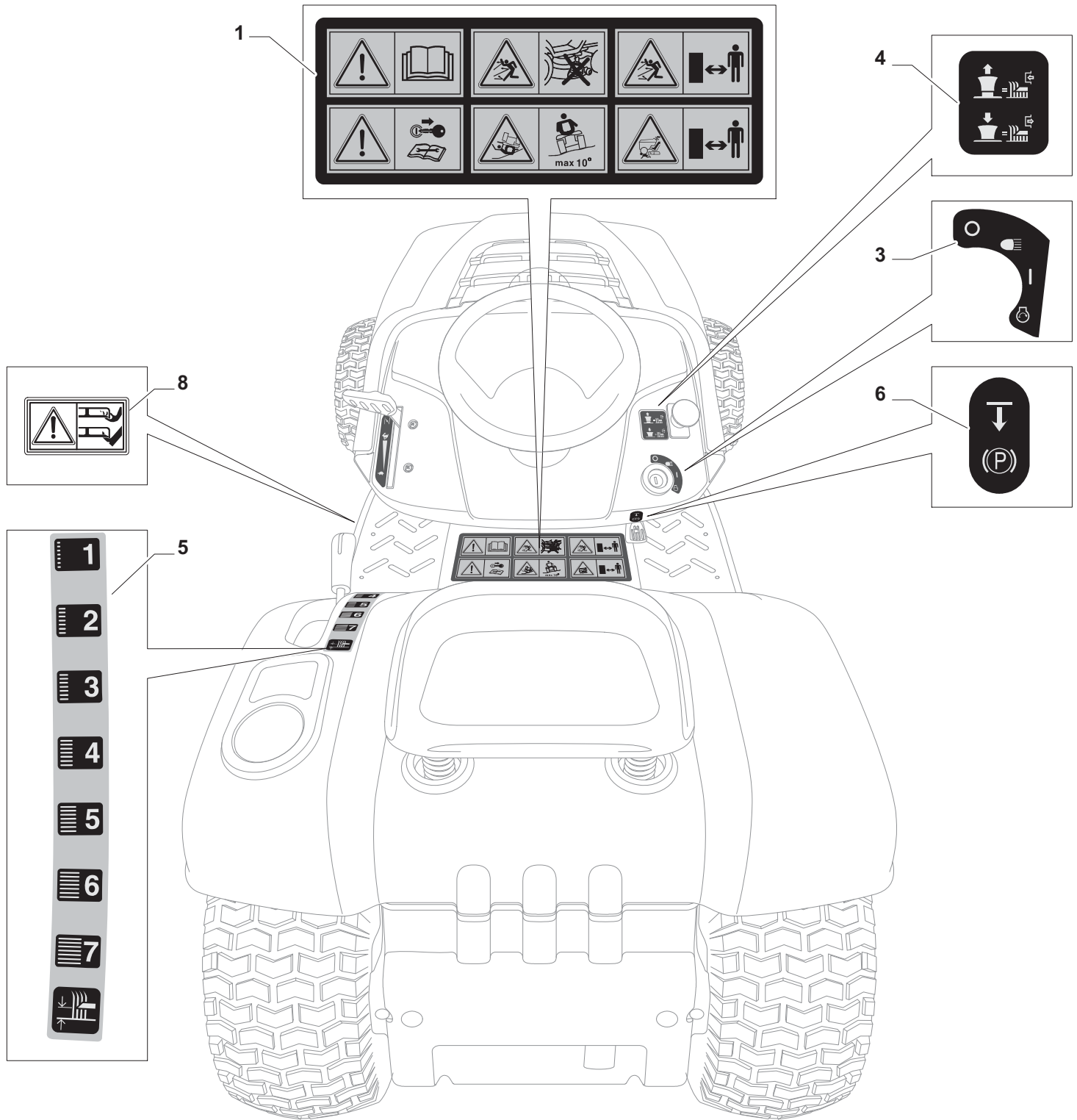


Pos. Fig.	Antal Quantity	Art No Part No	Benämning	Description	Anmärkning Notes
1	1	25795001/1	Lock	Cap	
2	4	125943006/0	Skruv	Screw	
3	1	325735126/0	Tank	Tank	
4	4	18375051/1	Slangklämma	Fair Led	
5	1	25869057/0	Vevstake	Connecting Tube (1000 Mm)	
11	4	112735108/1	Skruv	Screw	
12	1	27598060/0	Oil Discharge Extension	Oil Discharge Extension	
13	1	18401001/1	Tätningring	Oil Seal	
14	1	18737849/0	Lock	Oil Cap	
15	1	325108044/1	Inmatningsträtt	Conveyor	
21	2	12792611/0	Skruv	Screw	
22	2	12540260/0	Bricka	Washer	
23	1	382598045/0	Ljuddämparskydd	Muffler Protection	
24	1	182750010/0	Ljuddämpare	Muffler	
25	2	12360425/0	Mutter	Nut	
26	2	12792611/0	Skruv	Screw	
27	2	12540260/0	Bricka	Washer	
28	1	118738231/1	Avgasrör	Exhaust Tube	
29	2	12737450/0	Skruv	Screw	
30	2	12540260/0	Bricka	Washer	
35	1	325394531/0	Knopp	Knob	
36	1	182000215/0	Gasreglage	Accelerator	
37	1	112726389/0	Skruv	Screw	
38	1	12290800/0	Mutter	Nut	
39	2	112726389/0	Skruv	Screw	
40	2	12540020/0	Bricka	Washer	
41	2	12521310/0	Bricka	Washer	
42	1	114363697/0	Dekal	Label	
51	1	18736111/0	Starter Relay	Starter Relay	
52	2	12360352/0	Mutter	Nut	
53	1	25065002/0	Kabel	Cable	
54	1	18564864/1	Tätningshylsa	Protection	
55	1	12790781/0	Skruv	Screw	
56	2	12154510/0	Mutter	Nut	





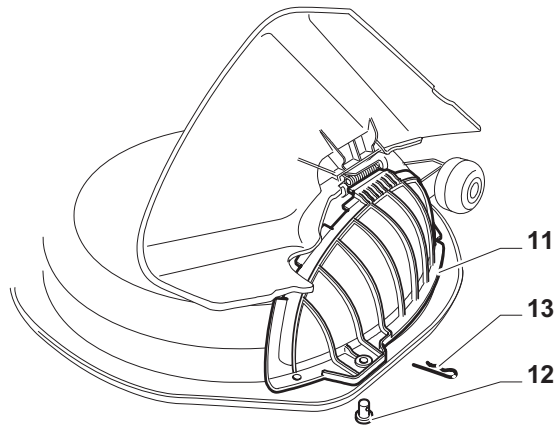
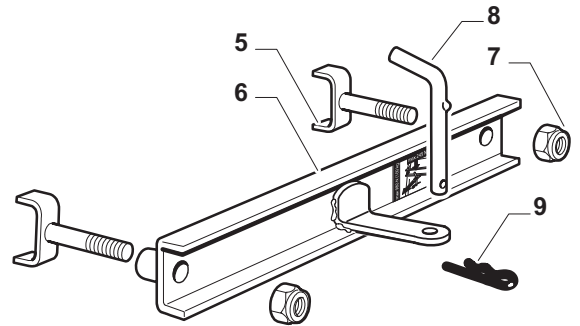
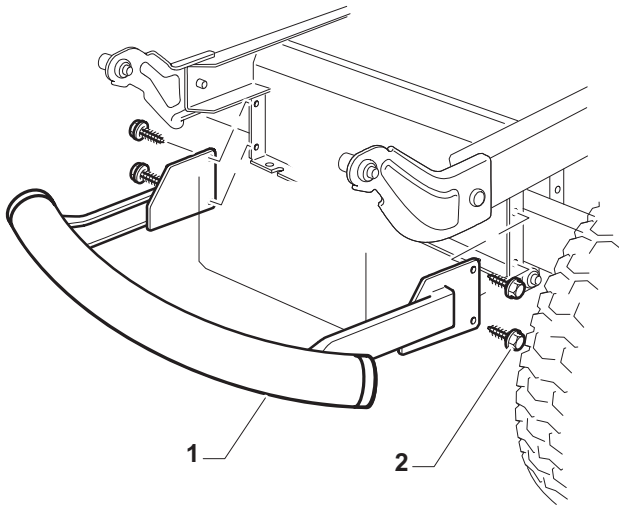
Pos. Fig.	Antal Quantity	Art No Part No	Benämning	Description	Anmärkning Notes
1	1	182040150/0	Kabel	Cables Ass.Y	
2	1	125722433/0	Elektroniska kort	Electronic Card	
3	1	12735101/0	Skruv	Screw	
4	1	118450075/0	Brytare	Starting Switch	
5	1	325600080/0	Skydd Kort	Card Protection	
6	1	118210023/0	Startnyckeln	Starting Key	
7	1	18120002/1	Batteri	Battery	
8	1	125430265/0	Fjäder	Spring	
15	2	33215000/0	Kåpa	Cover	
16	1	33340036/0	Säkring	Fuse 25 A	
16	1	33340040/0	Säkring	Fuse 10A	
17	2	33500007/0	Säkring	Fuse Carrier	
18	1	118450074/0	Brytare	Clutch Switch	
19	2	119410613/0	Brytare	Micro	
20	1	82040073/0	Kabel	Cable	
21	2	18459100/0	Farilamp For Lights	Farilamp For Lights	
25	1	182180090/0	Batteriladdare	Battery Charger	





SD 10816

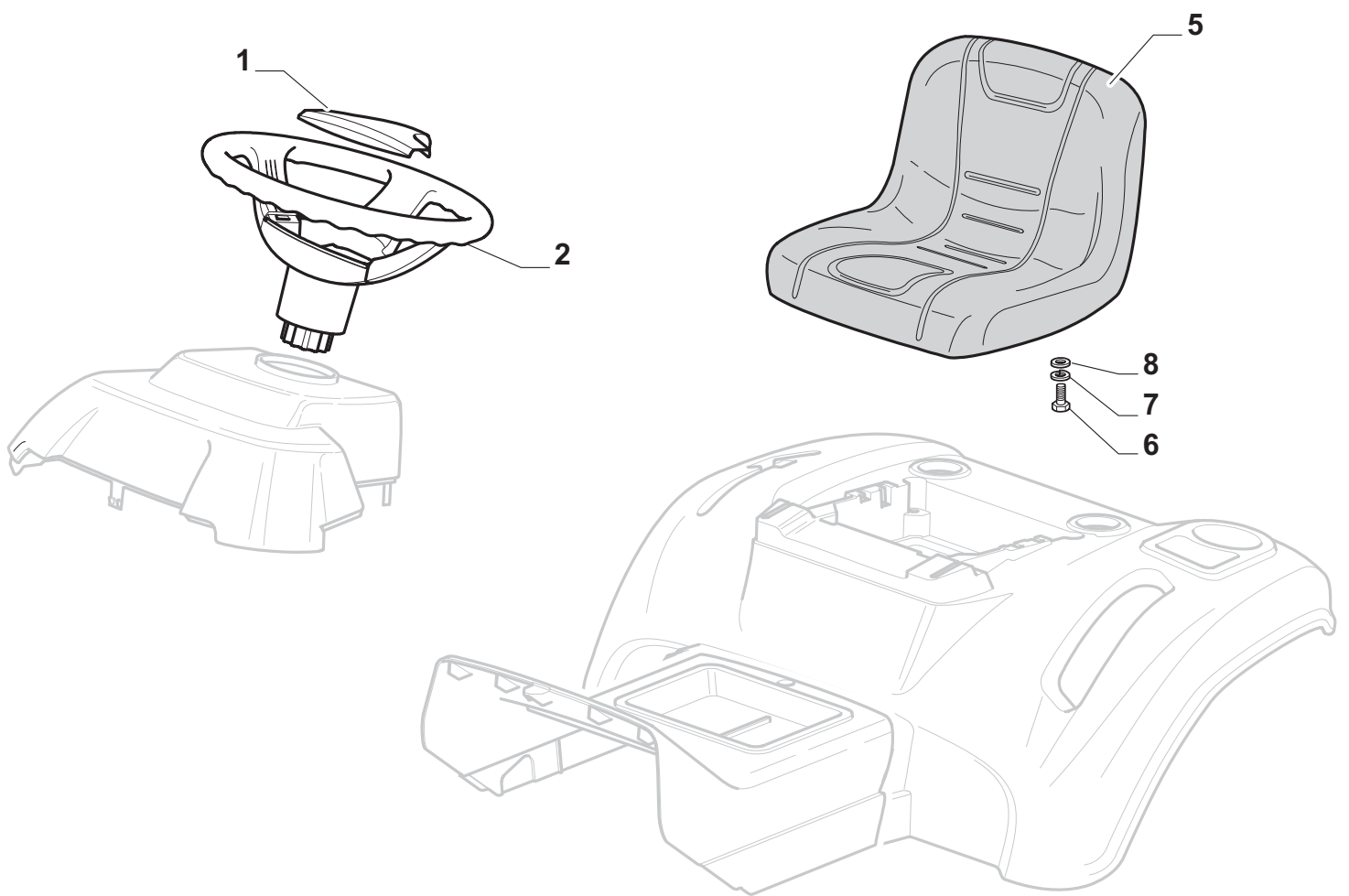
Pos. Fig.	Antal Quantity	Art No Part No	Benämning	Description	Anmärkning Notes
1	1	114362365/1	Dekal	Label	
3	1	114363699/0	Dekal	Label	
4	1	14361438/0	Dekal	Label	
5	1	114363701/0	Dekal	Label	
6	1	114363700/0	Dekal	Label	
8	1	114356699/1	Dekal	Label	





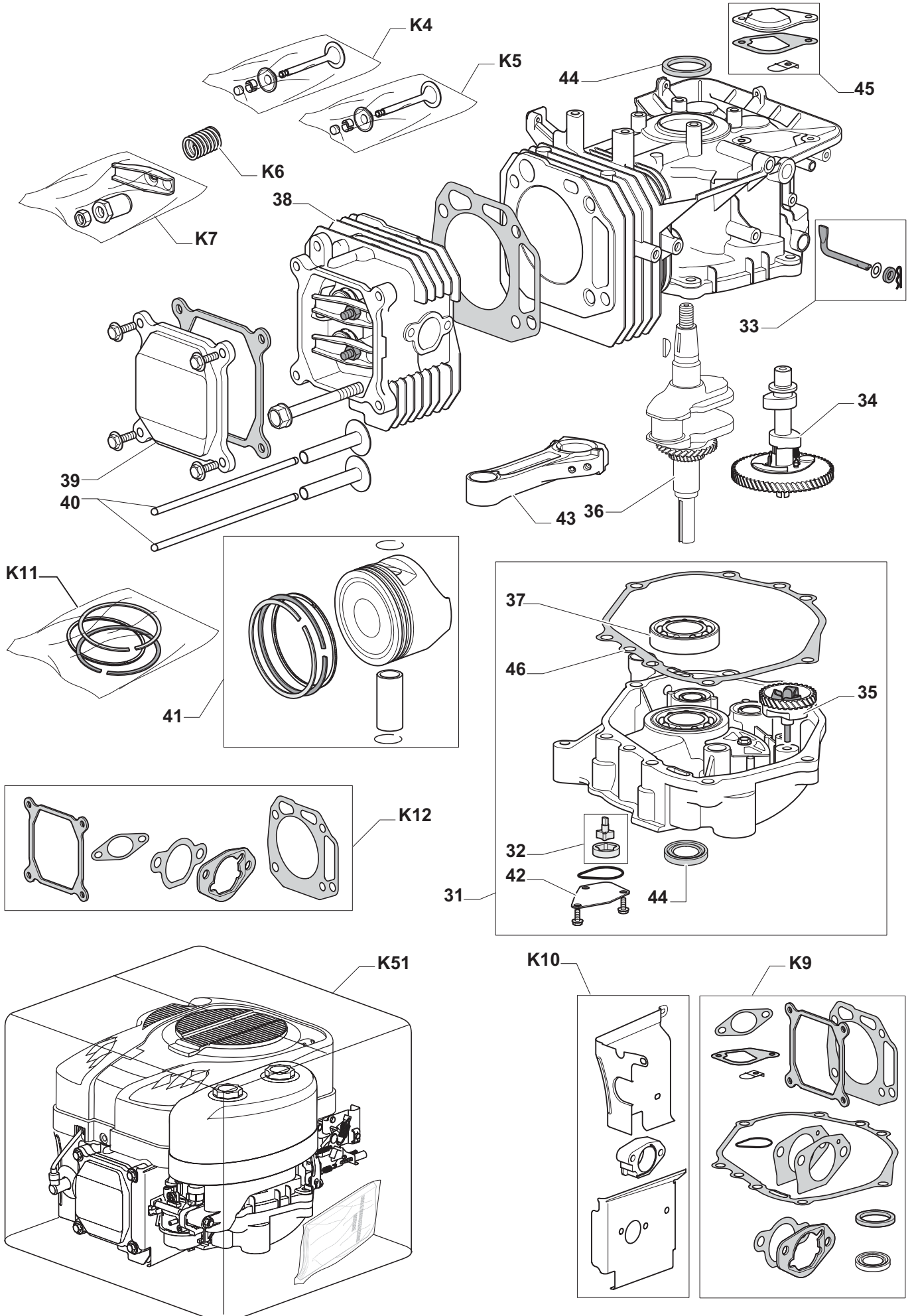
SD 10816

Pos. Fig.	Antal Quantity	Art No Part No	Benämning	Description	Anmärkning Notes
1	1	382869038/0	Ljuddämparskydd	Muffler Protection	
2	4	125943008/0	Skruv	Screw	
5	2	382650211/0	Trådbygel	Stiffening	
6	1	382033111/0	Stång	Rod	
7	2	12155000/0	Mutter	Nut	
8	1	25510021/1	Stift	Pin	
9	1	24487999/0	Låsnål	Cotter Pin	
11	1	325140101/0	Deflektor	Deflector	
12	1	125510111/0	Stift	Pin	
13	1	24487998/0	Låsnål	Cotter Pin	



**SD 10816**

Pos. Fig.	Antal Quantity	Art No Part No	Benämning	Description	Anmärkning Notes
1	1	325580503/0	Steering Plate	Steering Plate	
2	1	325961219/0	Rott	Steering Wheel	
5	1	125722472/0	Seat	Seat	
6	4	12792611/0	Skruv	Screw	
7	4	12540260/0	Bricka	Washer	
8	4	12523060/0	Bricka	Washer	





SD 10816

Pos. Fig.	Antal Quantity	Art No Part No	Benämning	Description	Anmärkning Notes
K4	1	118550531/0	Intake Valve Assy	Intake Valve Assy	
K5	1	118550532/0	Exhaust Valve Assy	Exhaust Valve Assy	
K6	2	118550529/0	Fjäder	Spring Valve	
K7	1	118550533/0	Valve Arm	Valve Arm	
K9	1	118550534/0	Packning	Engine Gasket Set	
K10	1	118550220/0	Engine Guard Assy	Engine Guard Assy	
K11	1	118550510/0	Piston, Ring Set	Piston, Ring Set	
K12	1	118550535/0	Cylinder Head Gasket Set	Cylinder Head Gasket Set	
31	1	118550445/0	Vevhus	Crankcase Cover Assy	
32	1	118550224/0	Oljepump	Oil Pump	
33	1	118550226/0	Vevaxel	Shaft, Governor Arm Assy	
34	1	118550243/0	Camshaft Assy	Camshaft Assy	
35	1	118550347/0	Speed Governor Assy	Speed Governor Assy	
36	1	118550232/0	Vevaxel	Crankshaft	
37	1	118550227/0	Kullager	Bearing	
38	1	118550530/0	Cylinder Head Assy	Cylinder Head Assy	
39	1	118550206/0	Cover Comp., Head	Cover Comp., Head	
40	1	118550242/0	Stötstänger	Push Rods Assy	
41	1	118550511/0	Kolv kpl	Piston Assy	
42	1	118550223/0	Pumplock	Oil Pump Cover	
43	1	118550231/0	Connecting Rod Assy	Connecting Rod Assy	
44	1	118550443/0	Tätningring	Oil Seal	
45	1	118550446/0	Packning	Gasket Assy	
46	1	118550355/1	Packning	Crankcase Gasket	
K51	1	118550526/0	Motor Monterade	Engine Assembled	