

Genuine Spare Parts

www.stiga.com

COMBI 48 S H Model Year 2011

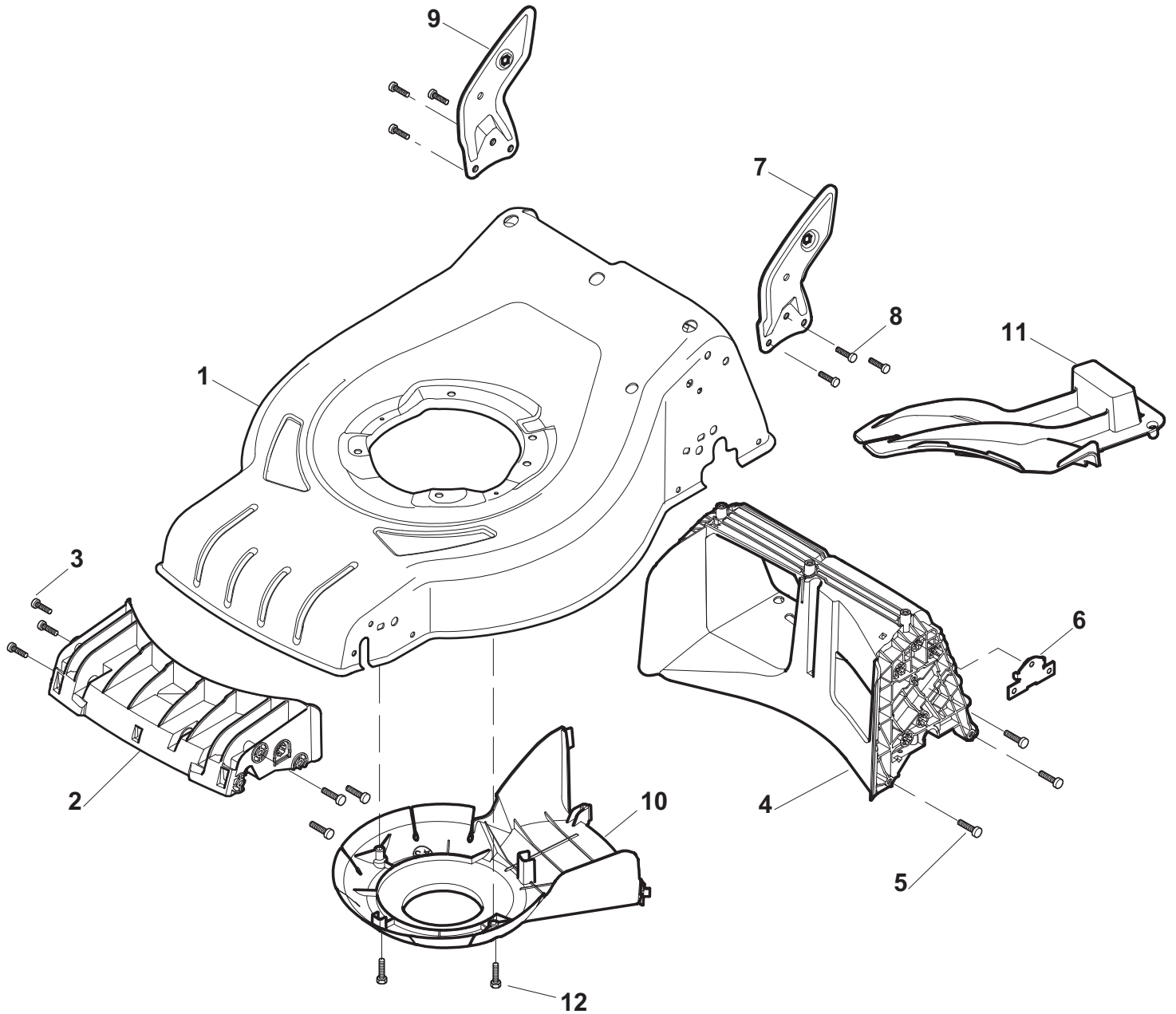
- Use GLOBAL GARDEN PRODUCT Genuine Spare Parts specified in the parts list for repair and/or replacement.
- The contents described in the parts list may change due to improvement.
- The drawings of the spare parts are only indicative and might not represent the part in question exactly.
- The indications "right" - "left" - "front" - "rear" refer to the position of the operator when using the machine.
- When placing orders of parts for repair and/or replacement, make sure that the illustrated parts list is the one applying to the machine's year of manufacture, as shown on the identification plate attached to the machine.

COPYRIGHT by GLOBAL GARDEN PRODUCTS

All rights reserved. No part of this material may be reproduced or transmitted, in any form or by any means, electronic or mechanical, including photocopying, recording or by any information storage and retrieval system, without permission in writing from GLOBAL GARDEN PRODUCTS.



COMBI 48 S H

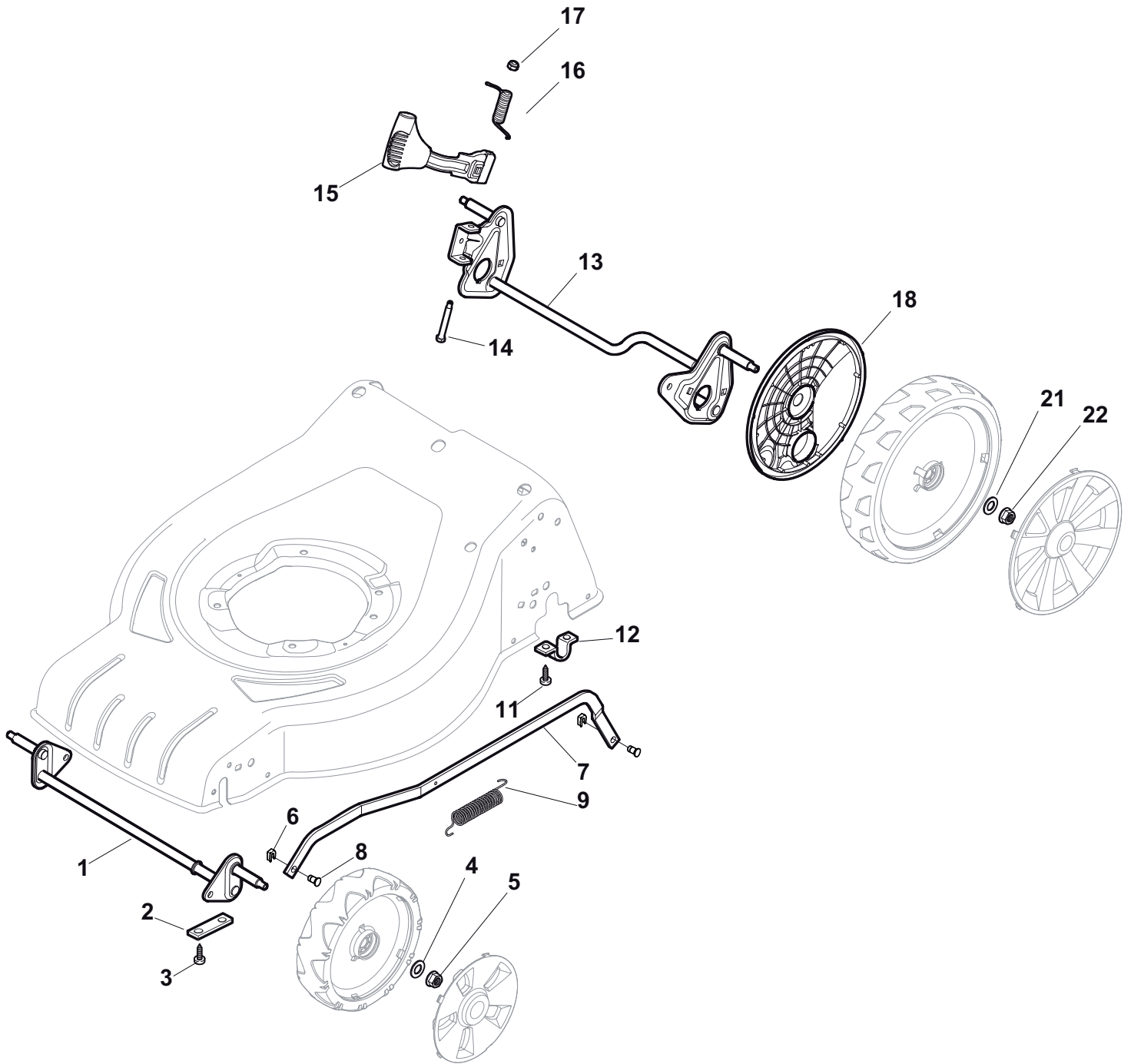




COMBI 48 S H

Pos. Fig.	Antal Quantity	Art No Part No	Description	Benämning	Anmärkning Notes
1	1	381004018/0	Deck Red	Chassi	
2	1	322108301/0	Front Conveyor Assy	Ledplåt-främre	
3	6	112728699/0	Screw	Skruv	
4	1	322108302/0	Rear Conveyor Assy	Ledplåt-bakre	
5	6	112728699/0	Screw	Skruv	
6	2	322545213/0	Plate	Trombocyt	
7	1	381005139/0	Bracket, L	Fäste-vä	
8	6	112727801/0	Screw	Skruv	
9	1	381005137/0	Bracket, R	Fäste-hö	
10	1	322060242/0	Protection, Belt	Remskydd	
11	1	322140239/0	Deflector	Deflektor	
12	2	12728530/0	Screw	Skruv	

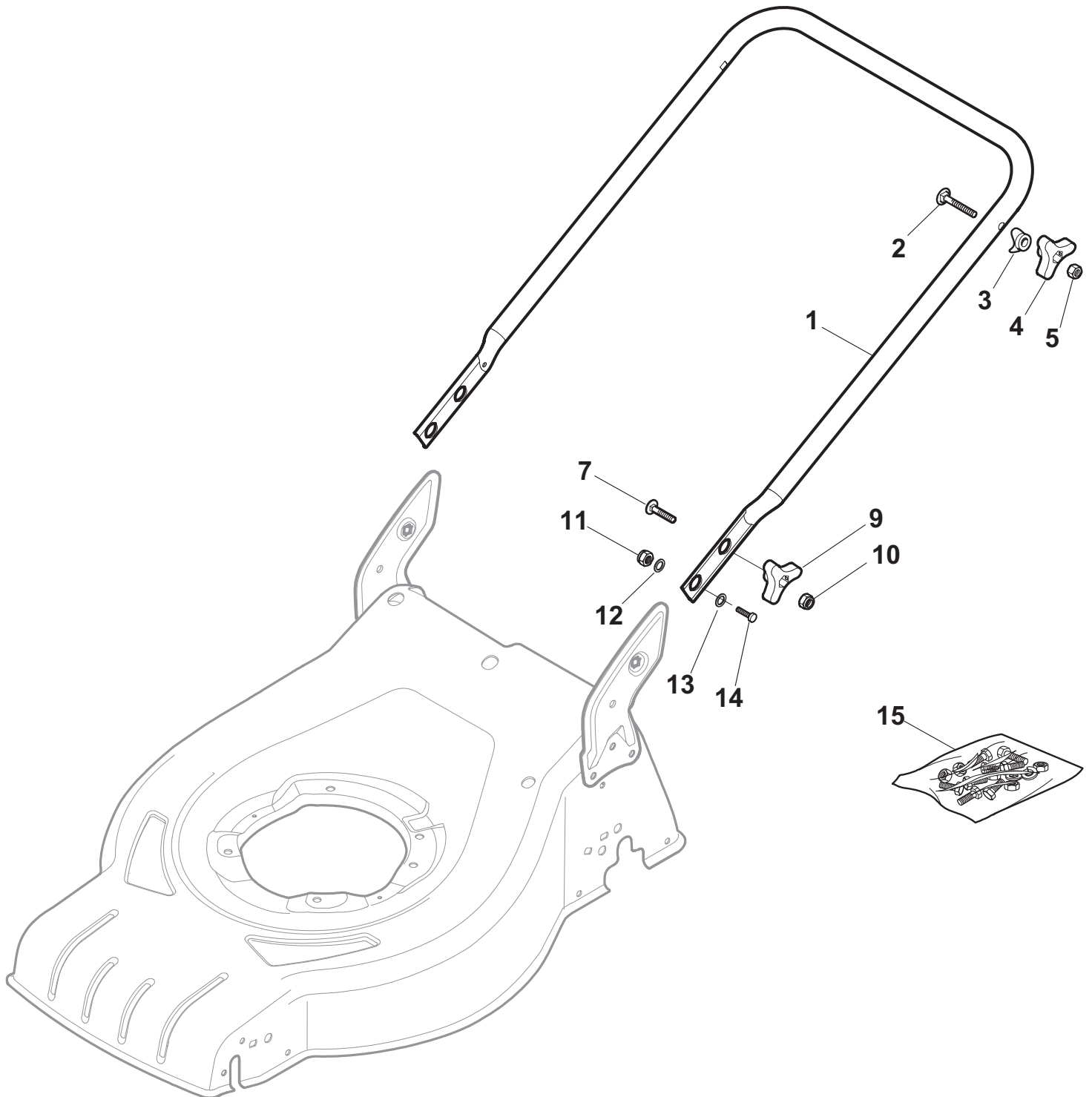
COMBI 48 S H





COMBI 48 S H

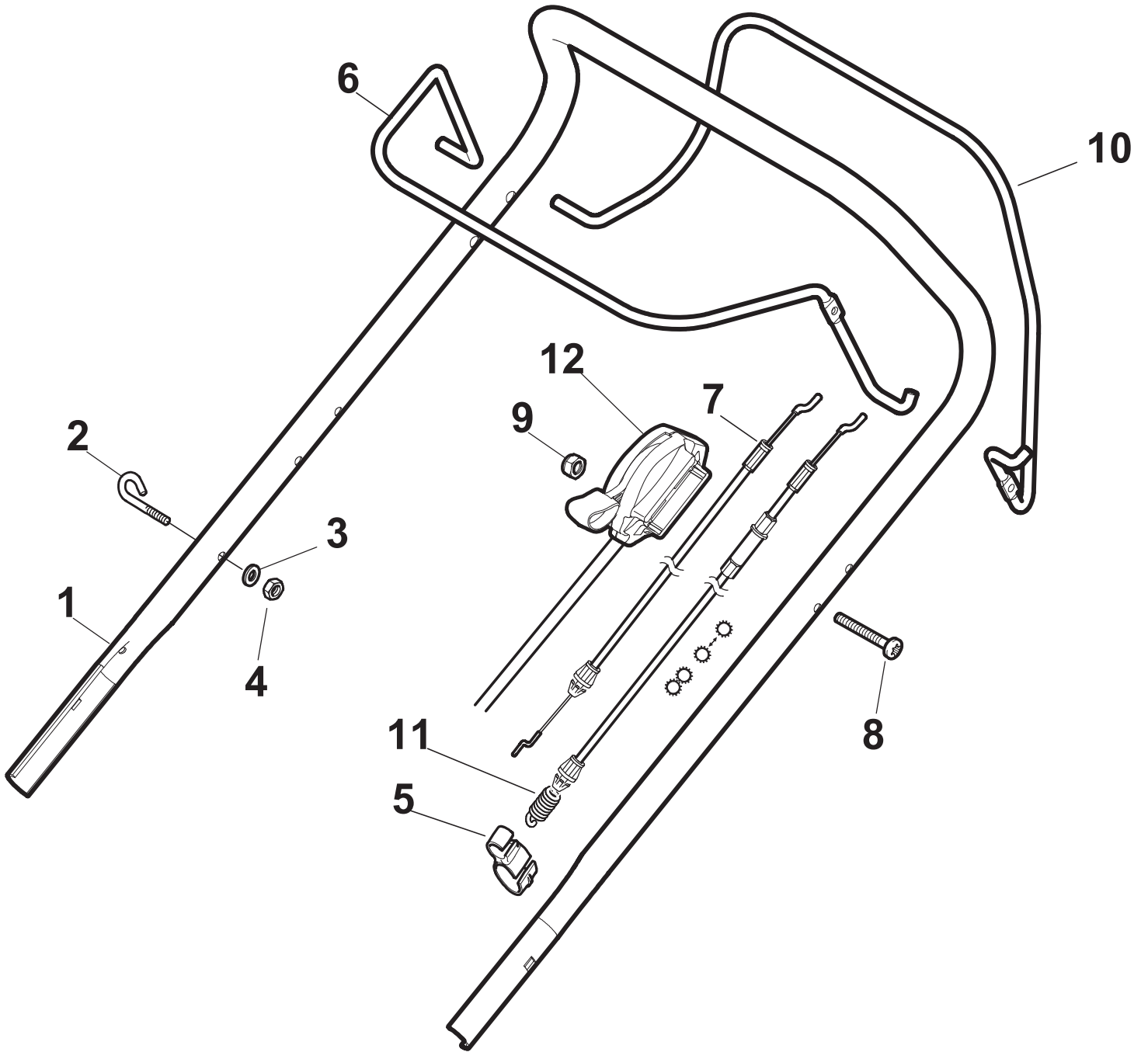
Pos. Fig.	Antal Quantity	Art No Part No	Description	Benämning	Anmärkning Notes
1	1	381302821/0	Axle, Front Wheels	Hjulaxel-fram	
2	2	22545142/0	Plate	Trombocyt	
3	4	112728698/0	Screw	Skruv	
4	2	12521350/0	Washer	Bricka	
5	2	12155000/0	Nut	Mutter	
6	2	112436051/0	Plate	Trombocyt	
7	1	322869673/0	Rod, Height Adjustment	Höjdinställn.stång	
8	2	122519820/0	Pin	Stift	
9	1	122446193/0	Spring	Fjäder	
11	4	112728698/0	Screw	Skruv	
12	2	22545152/0	Plate	Trombocyt	
13	1	381302817/0	Axle, Rear Wheels	Hjulaxel-bakre	
14	1	122534131/0	Pin	Stift	
15	1	381003357/0	Lever, Height Adjustment	Höjdinställningsspak	
16	1	122446192/0	Spring	Fjäder	
17	1	12154510/0	Nut	Mutter	
18	2	322600205/0	Wheel Protection	Hjulskydd	
21	2	12521350/0	Washer	Bricka	
22	2	12155000/0	Nut	Mutter	

COMBI 48 S H



COMBI 48 S H

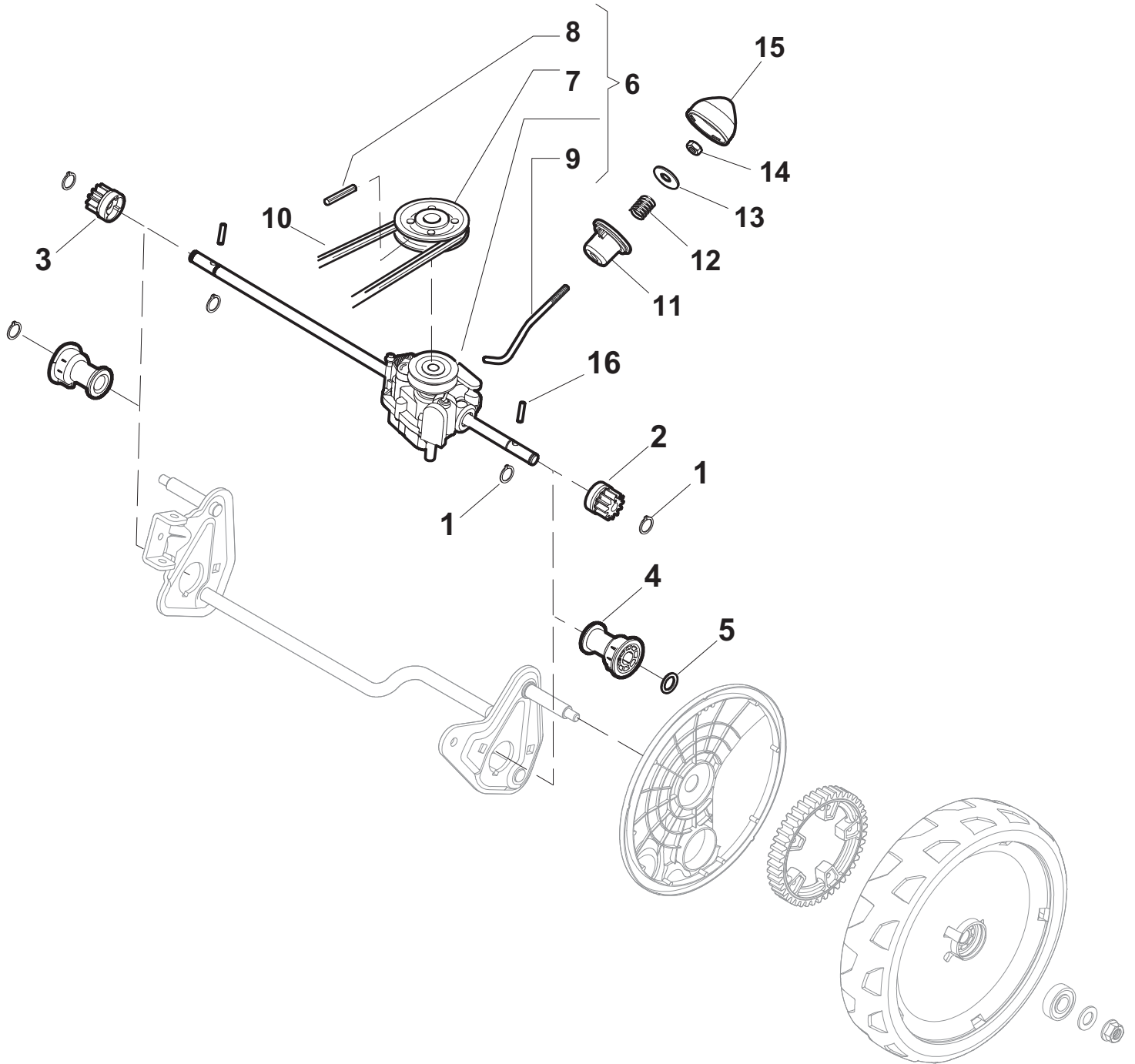
Pos. Fig.	Antal Quantity	Art No Part No	Description	Benämning	Anmärkning Notes
1	1	381006737/0	Handle, Lower Part	Styre-underdel	
2	2	12819120/0	Screw	Skruv	
3	2	22680006/1	Washer	Bricka	
4	2	22399900/0	Knob	Knopp	
5	2	12293200/0	Nut	Mutter	
7	2	12818900/0	Screw	Skruv	
9	2	22399900/0	Knob	Knopp	
10	2	12293200/0	Nut	Mutter	
11	2	12155000/0	Nut	Mutter	
12	2	12521350/0	Washer	Bricka	
13	2	12369500/0	Washer	Bricka	
14	2	12760605/0	Screw	Skruv	
15	1	381008691/0	Outfit, Screws	Skruvsats	





COMBI 48 S H

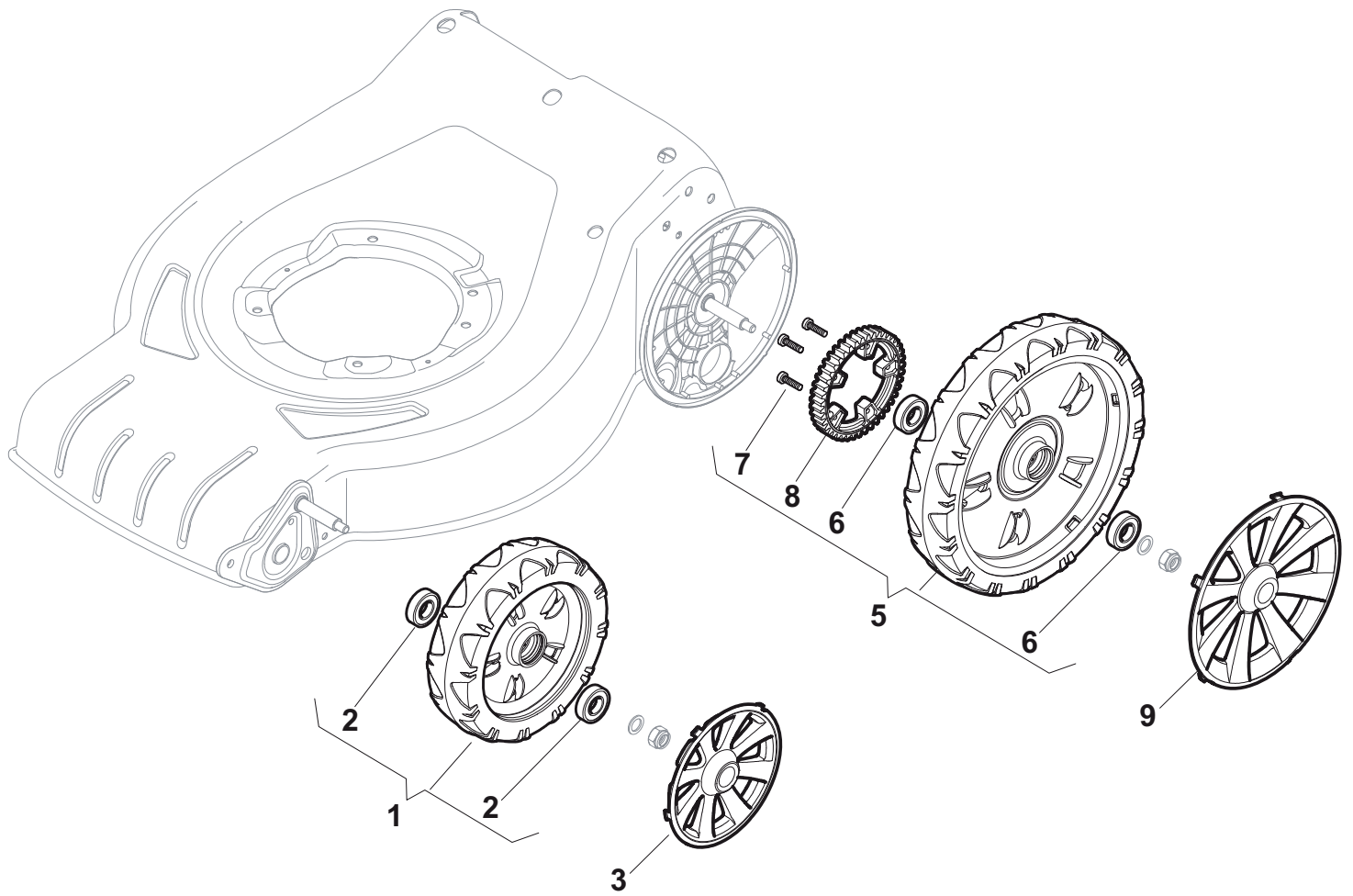
Pos. Fig.	Antal Quantity	Art No Part No	Description	Benämning	Anmärkning Notes
1	1	381006739/0	Handle, Upper Part	Styre-överdel	
1	1	381006745/0	Handle, Upper Part with sponge handgrip	Styre-överdel	
2	1	22430313/0	Guide Spring	Fjäder	
3	1	12521330/0	Washer	Bricka	
4	1	12154510/0	Nut	Mutter	
5	1	118390020/0	Fairlead	Startkabel	
6	1	181003363/1	Lever, Engine Brake	Reglagebygel-drivning	
7	1	181030069/0	Cable, Thread Eng. Brake	Motorbromswire	
8	1	12727783/0	Screw	Skruv	
9	1	12154510/0	Nut	Mutter	
10	1	181003364/0	Lever, Driving	Reglagebygel	
11	1	381030051/0	Cable, Rear Drive	Kopplingswire	
12	1	181005517/0	Throttle Cable	Gaswire	





COMBI 48 S H

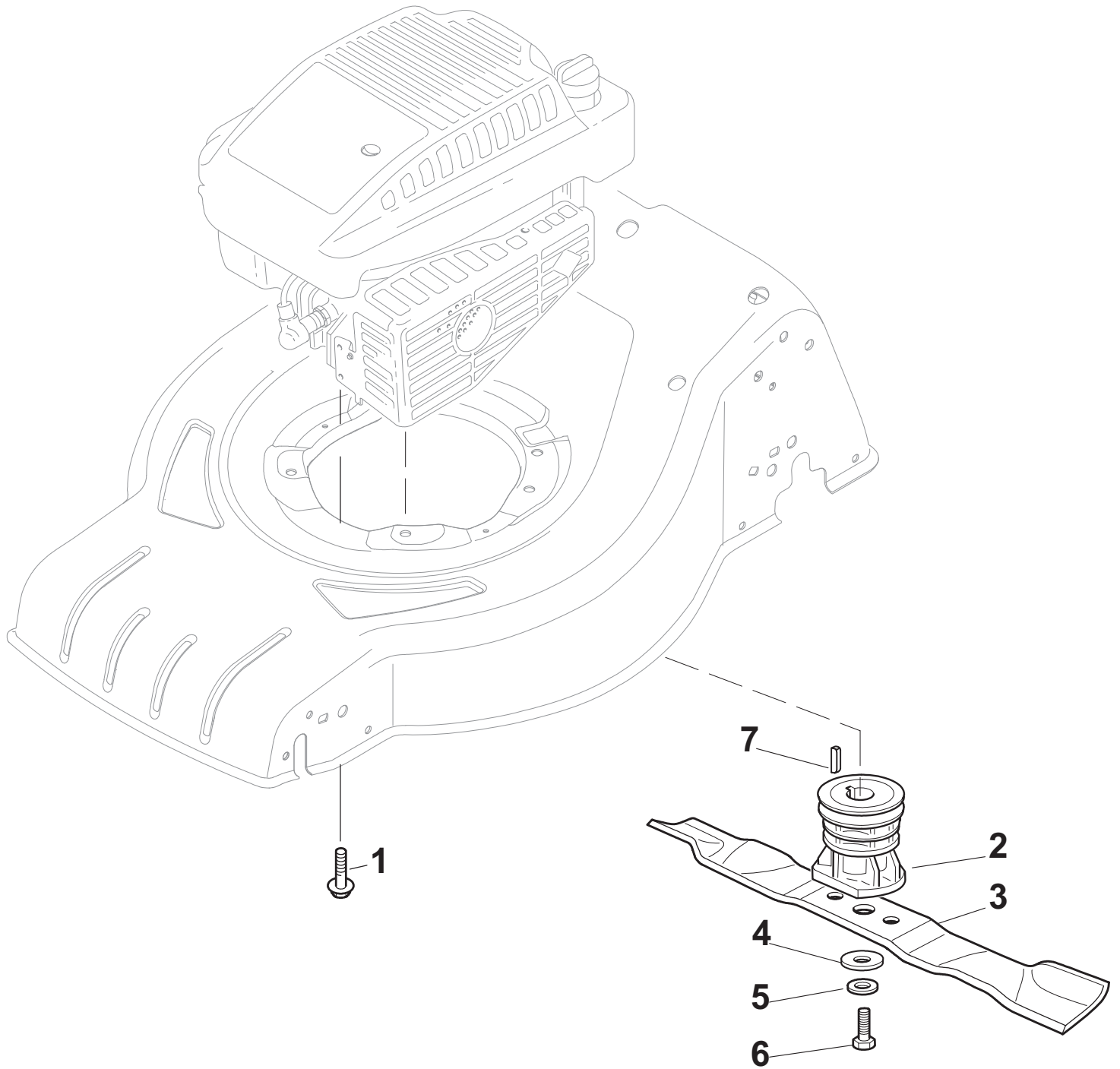
Pos. Fig.	Antal Quantity	Art No Part No	Description	Benämning	Anmärkning Notes
1	4	12608600/0	Seeger	Seeger	
2	1	22570120/1	Pinion L	Drev vä	
3	1	22570110/1	Pinion R	Drev hö	
4	2	322042066/0	Bush	Bussning	
5	2	112521371/0	Washer	Bricka	
6	1	81003092/0	Gear Box	Transmission	
7	1	22601904/0	Pulley	Remskiva	
8	1	12645700/0	Pin	Stift	
9	1	22033283/0	Adjustment Rod	Justerstång	
10	1	35063800/0	Belt Z 27	Drivrem Z 27	
11	1	22041957/1	Bush	Bussning	
12	1	22450063/0	Spring	Fjäder	
13	1	22680009/0	Washer	Bricka	
14	1	12154510/0	Nut	Mutter	
15	1	22110230/0	Cap	Huvstöd	
16	2	22753000/0	Pin	Stift	





COMBI 48 S H

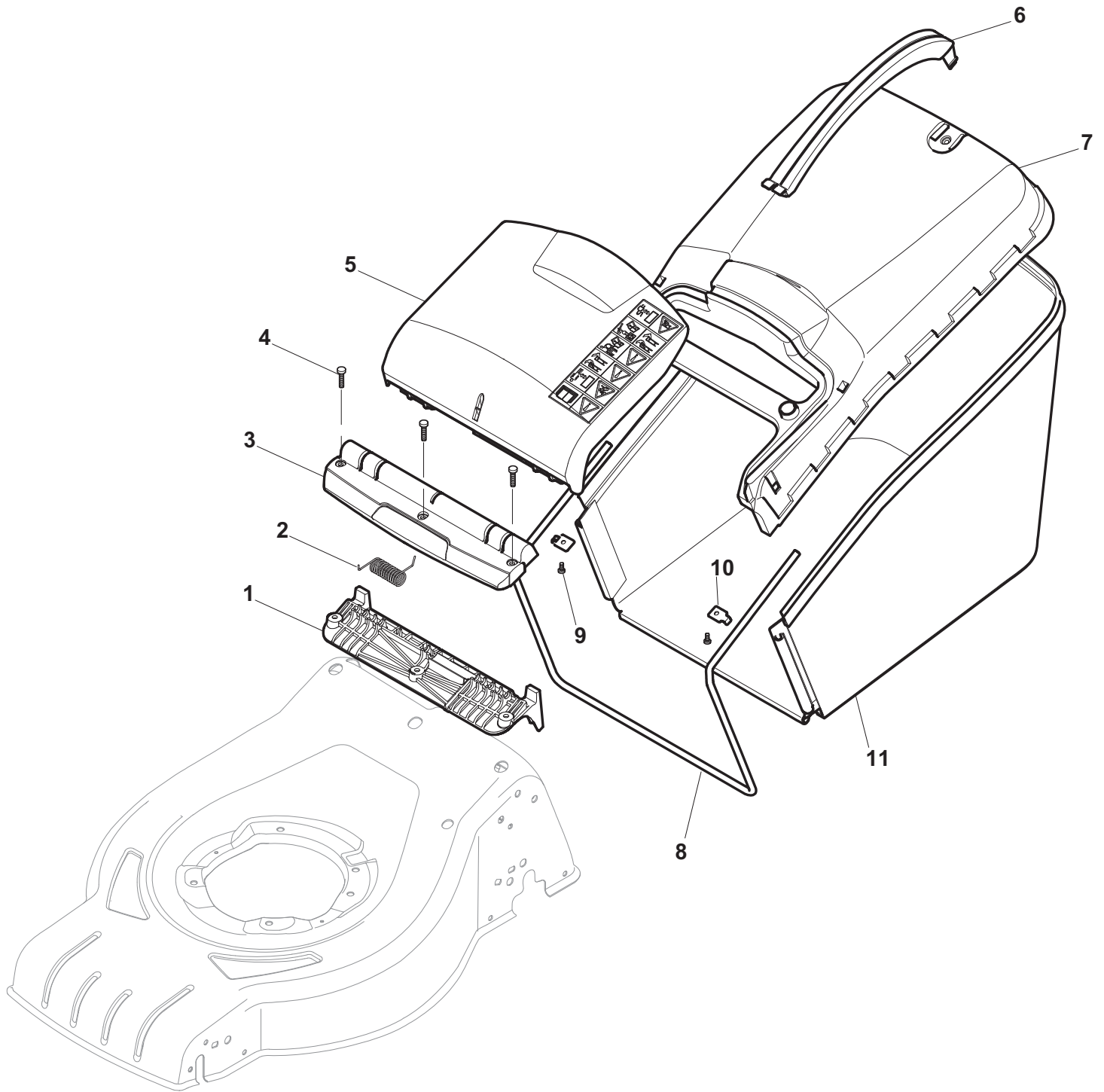
Pos. Fig.	Antal Quantity	Art No Part No	Description	Benämning	Anmärkning Notes
1	2	381007416/0	Ruota Ø 200	Hjul Ø 200	
2	4	19216035/0	Bearing	Låsring	
3	2	322110645/0	Hub Cap	Navkapsel	
5	2	381007417/0	Ruota Ø 280	Hjul Ø 280	
6	4	19216035/0	Bearing	Låsring	
7	6	112728706/0	Screw	Skruv	
8	2	322120117/0	Ring Gear	Ringdrev	
9	2	322110646/0	Hub Cap	Navkapsel	





COMBI 48 S H

Pos. Fig.	Antal Quantity	Art No Part No	Description	Benämning	Anmärkning Notes
1	3	112735108/1	Screw	Skruv	
2	1	122465608/2	Hub With Pulley, Crankshaft Ø 25	Knivfäste Ø 25	
3	1	81004341/3	Blade Standard	Kniv	
3	1	81004346/3	Blade Standard	Kniv	
4	1	22160400/0	Dust Cover	Dammskydd	
5	1	12523080/0	Washer	Bricka	
6	1	12735698/0	Screw	Skruv	
7	1	12139150/0	Feather, Crankshaft Ø 25	Kil	

COMBI 48 S H



COMBI 48 S H

Pos. Fig.	Antal Quantity	Art No Part No	Description	Benämning	Anmärkning Notes
1	1	322785331/0	Support	Stöd	
2	1	122450464/0	Spring	Fjäder	
3	1	322109556/0	Cover Yellow	Skyddsplåt	
4	3	112728699/0	Screw	Skruv	
5	1	322600214/0	Stone-Guard Yellow	Lucka	
6	1	322393646/0	Handle	Handtag	
7	1	322486264/0	Grassbox Upper Part	Uppsamlare-överdel	
8	1	122608561/0	Stiffening Lower	Trådbygel	
9	2	322545159/0	Plate	Trombocyt	
10	2	12728692/0	Screw	Skruv	
11	1	181002318/0	Box, Fabric	Uppsamlingssäck	