

Genuine Spare Parts

www.stiga.com

SC 84 H

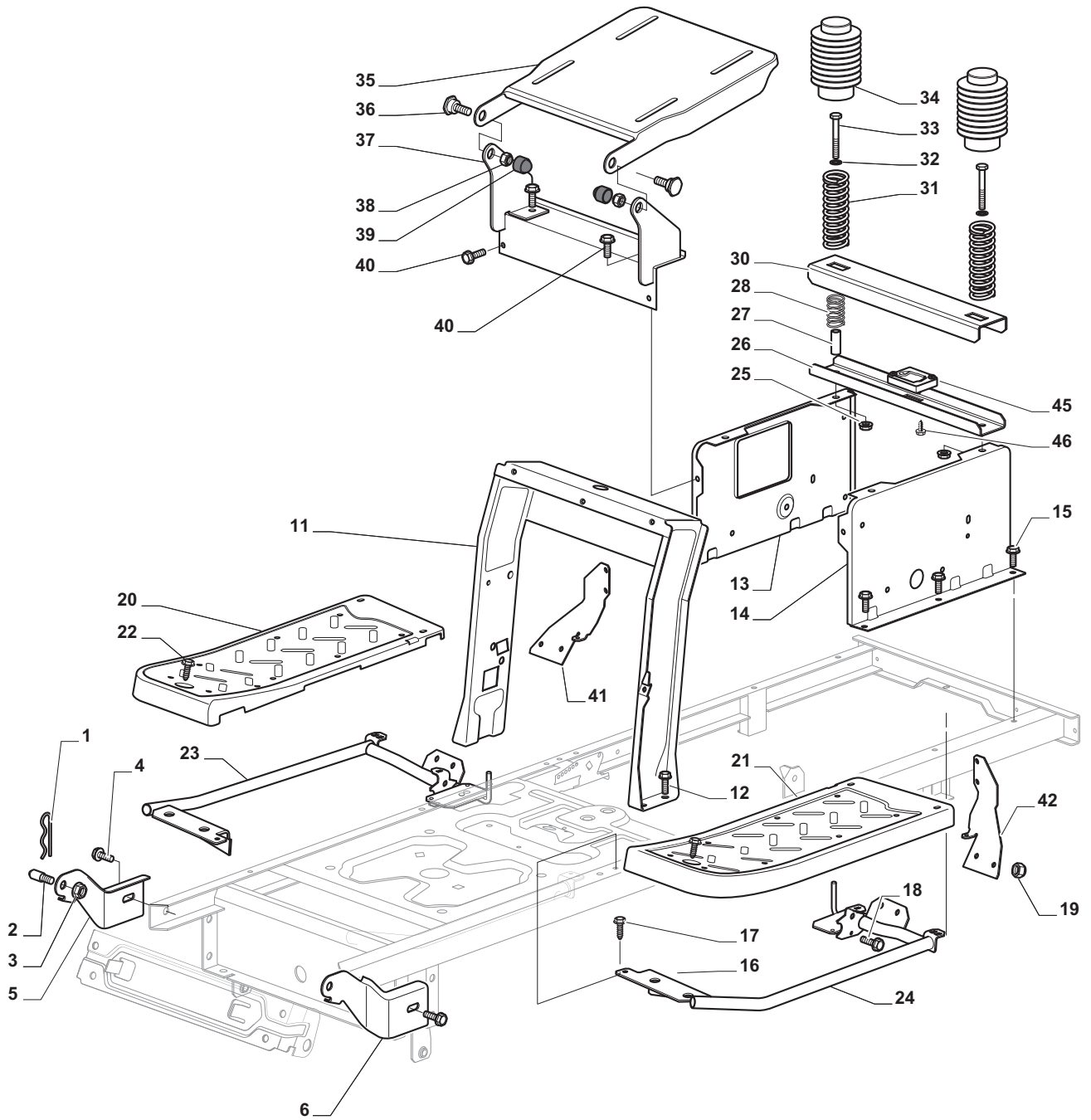
- Use GLOBAL GARDEN PRODUCT Genuine Spare Parts specified in the parts list for repair and/or replacement.
- The contents described in the parts list may change due to improvement.
- The drawings of the spare parts are only indicative and might not represent the part in question exactly.
- The indications "right" - "left" - "front" - "rear" refer to the position of the operator when using the machine.
- When placing orders of parts for repair and/or replacement, make sure that the illustrated parts list is the one applying to the machine's year of manufacture, as shown on the identification plate attached to the machine.

© Copyright 2012 Global Garden Products

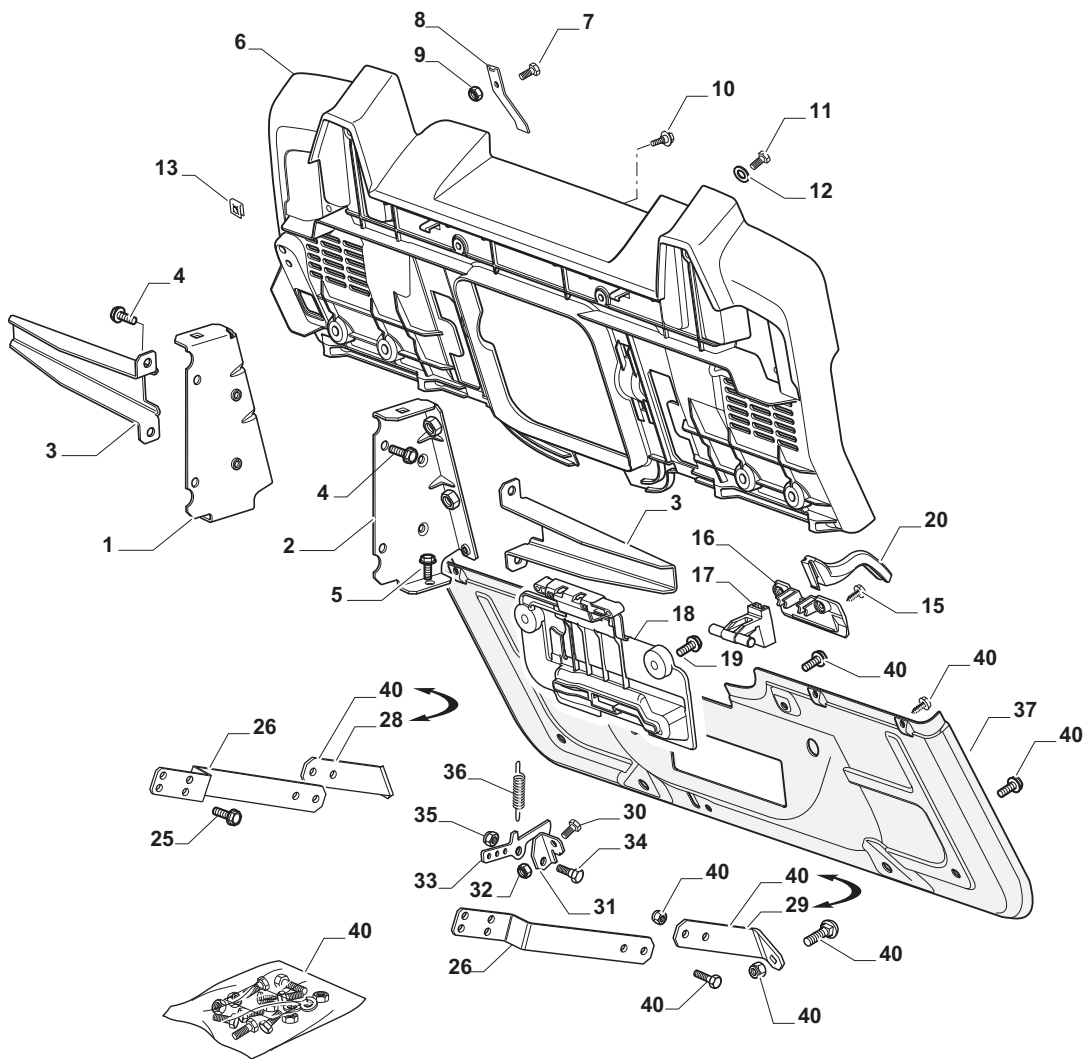
All content is subject to copyright by Global Garden Products and may not be reproduced in whole or in part by any means, electronic or otherwise, without prior written approval.

THIS INFORMATION IS NOT INTENDED FOR SALE OR RESALE, AND THIS NOTICE MUST REMAIN ON ALL COPIES.

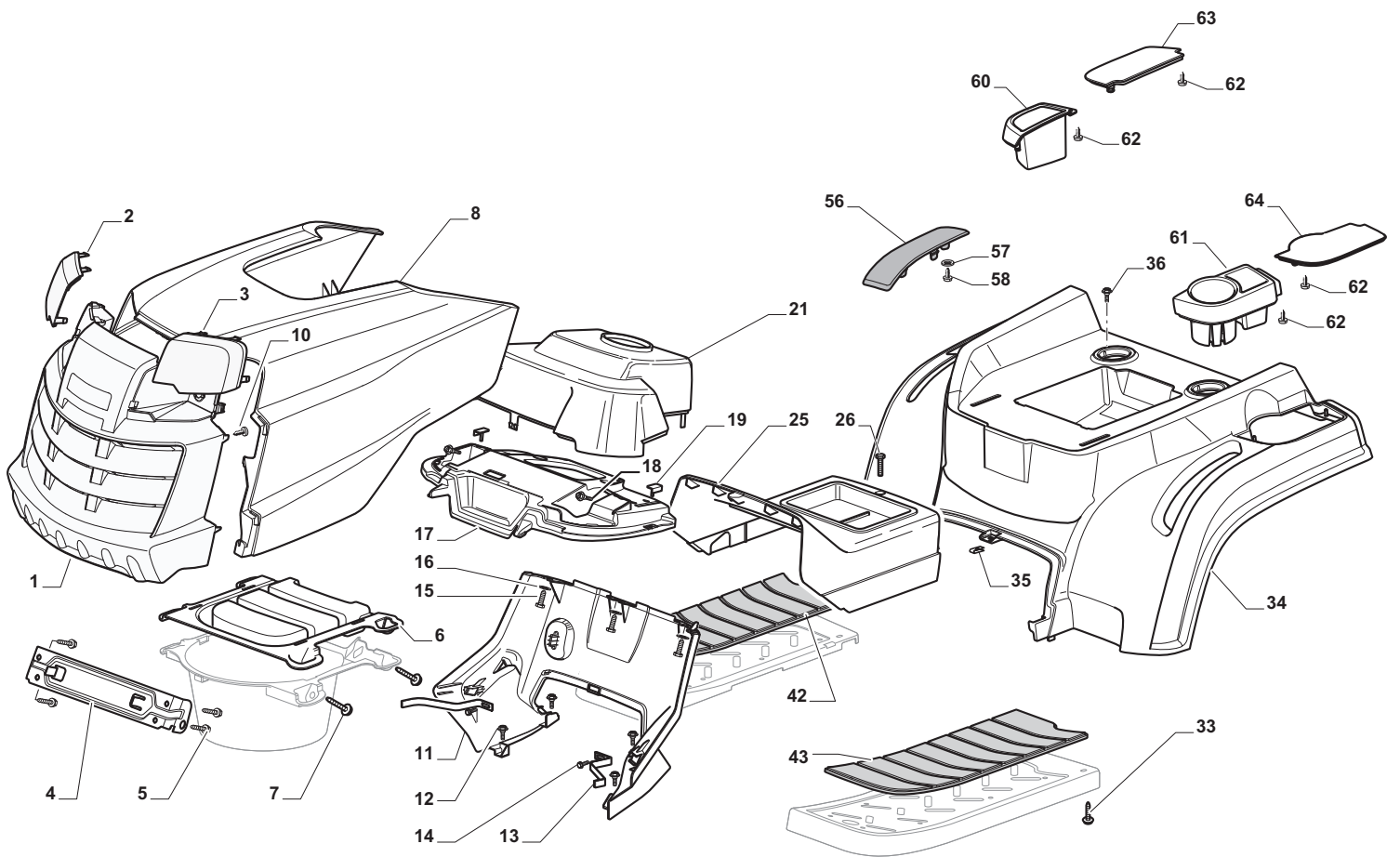




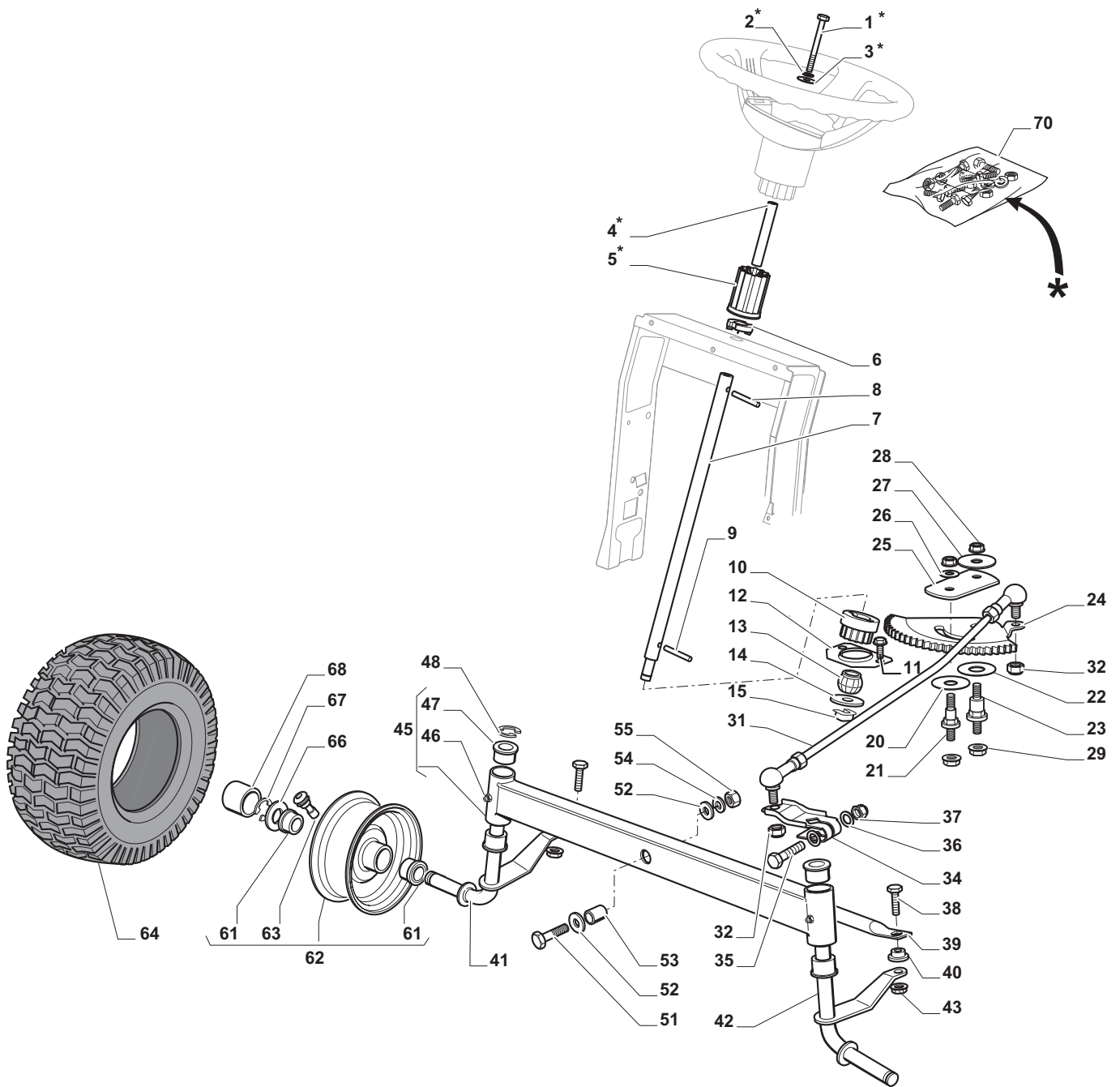
| Chassis | | | | |
|---------|-------------|------|-------------------------|-------|
| POS | CODE | Q.TY | DESCRIPTION | NOTES |
| 1 | 24487998/0 | 1 | Cotter Pin | |
| 2 | 25510079/0 | 2 | Pin | |
| 3 | 12154210/0 | 2 | Nut | |
| 4 | 12735599/0 | 2 | Screw | |
| 5 | 325547225/0 | 1 | Right Plate | |
| 6 | 325547227/0 | 1 | Left Plate | |
| 11 | 382785169/1 | 1 | Steering Column Support | |
| 12 | 125943009/0 | 4 | Screw | |
| 13 | 325785331/1 | 1 | Right Seat Support | |
| 14 | 325785333/1 | 1 | Left Seat Support | |
| 15 | 125943009/0 | 6 | Screw | |
| 16 | 382785179/0 | 1 | Footboard Support | |
| 17 | 125943009/0 | 2 | Screw | |
| 18 | 125943009/0 | 2 | Screw | |
| 19 | 12155000/0 | 10 | Nut | |
| 20 | 325500041/1 | 1 | Right Footboard | |
| 21 | 325500043/1 | 1 | Left Footboard | |
| 22 | 12735599/0 | 2 | Screw | |
| 23 | 382785221/0 | 1 | Footboard Support | |
| 24 | 382785223/0 | 1 | Footboard Support | |
| 25 | 12293201/0 | 2 | Nut | |
| 26 | 325820109/1 | 1 | Seat Support | |
| 27 | 125160077/0 | 2 | Spacer | |
| 28 | 125430263/0 | 2 | Spring | |
| 30 | 325820111/0 | 1 | Support | |
| 31 | 125430264/0 | 2 | Spring | |
| 32 | 12521350/0 | 2 | Washer | |
| 33 | 12691400/0 | 2 | Screw | |
| 34 | 325122002/0 | 2 | Hood | |
| 35 | 382547061/0 | 1 | Plate | |
| 36 | 22524970/2 | 2 | Pin | |
| 37 | 382820151/0 | 1 | Seat Support | |
| 38 | 12155010/0 | 2 | Nut | |
| 39 | 118203854/0 | 2 | Protection | |
| 40 | 125943009/0 | 12 | Screw | |
| 41 | 325650155/0 | 1 | Support | |
| 42 | 325650157/0 | 1 | Support | |
| 45 | 112728686/0 | 1 | Cam | |
| 46 | 112728686/0 | 2 | Screw | |



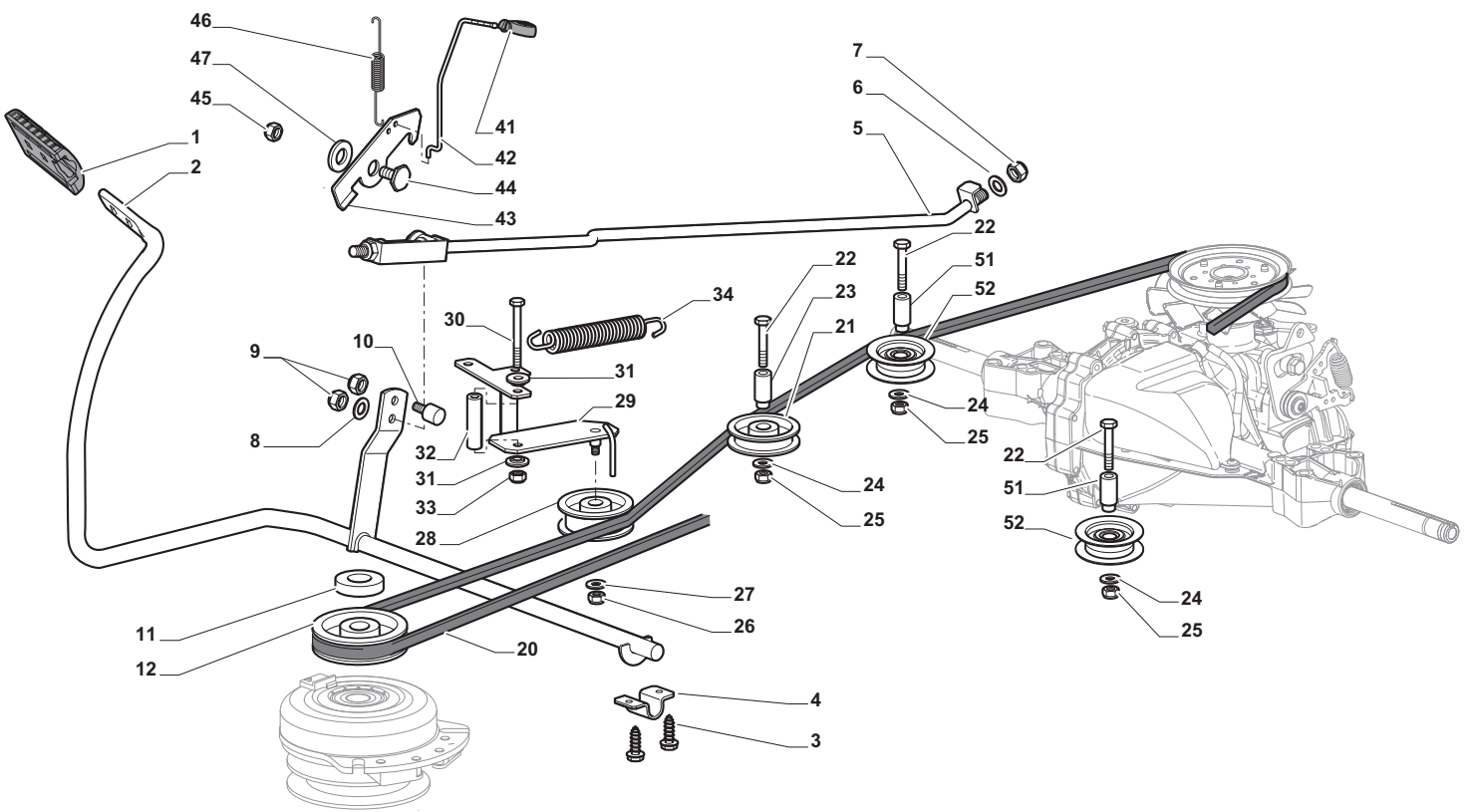
| Rear Plate | | | | |
|------------|-------------|------|------------------------|-------|
| POS | CODE | Q.TY | DESCRIPTION | NOTES |
| 1 | 325774501/0 | 1 | Clamp | |
| 2 | 325774507/0 | 1 | Clamp | |
| 3 | 325650163/0 | 2 | Stiffening | |
| 4 | 125943009/0 | 8 | Screw | |
| 5 | 125943009/0 | 2 | Screw | |
| 6 | 325547299/0 | 1 | Rear Plate, Upper Part | |
| 7 | 12789008/0 | 1 | Screw | |
| 8 | 27430554/0 | 1 | Spring | |
| 9 | 12154330/0 | 1 | Nut | |
| 10 | 125943010/0 | 4 | Screw | |
| 11 | 12789008/0 | 6 | Screw | |
| 12 | 12521320/0 | 6 | Washer | |
| 13 | 12437503/0 | 6 | Plate | |
| 15 | 12728686/0 | 2 | Screw | |
| 16 | 325109522/0 | 1 | Protection Cover | |
| 17 | 325318276/0 | 1 | Gearshift | |
| 18 | 325785400/0 | 1 | Support | |
| 19 | 125943010/0 | 2 | Screw | |
| 20 | 325318277/0 | 1 | Lever | |
| 25 | 125943009/0 | 4 | Screw | |
| 26 | 325774521/0 | 2 | Clamp | |
| 28 | 325650151/0 | 1 | Stiffening | |
| 29 | 325650153/0 | 1 | Stiffening | |
| 31 | 325755061/0 | 1 | Bracket | |
| 30 | 12789008/0 | 1 | Screw | |
| 32 | 12154330/0 | 1 | Nut | |
| 33 | 325774533/0 | 1 | Clamp | |
| 34 | 125510080/1 | 1 | Pin | |
| 35 | 12154510/0 | 1 | Nut | |
| 36 | 125430282/0 | 1 | Spring | |
| 37 | 382547071/0 | 1 | Rear Plate, Lower Part | |
| 40 | 382180121/0 | 1 | Screws Outfit | |



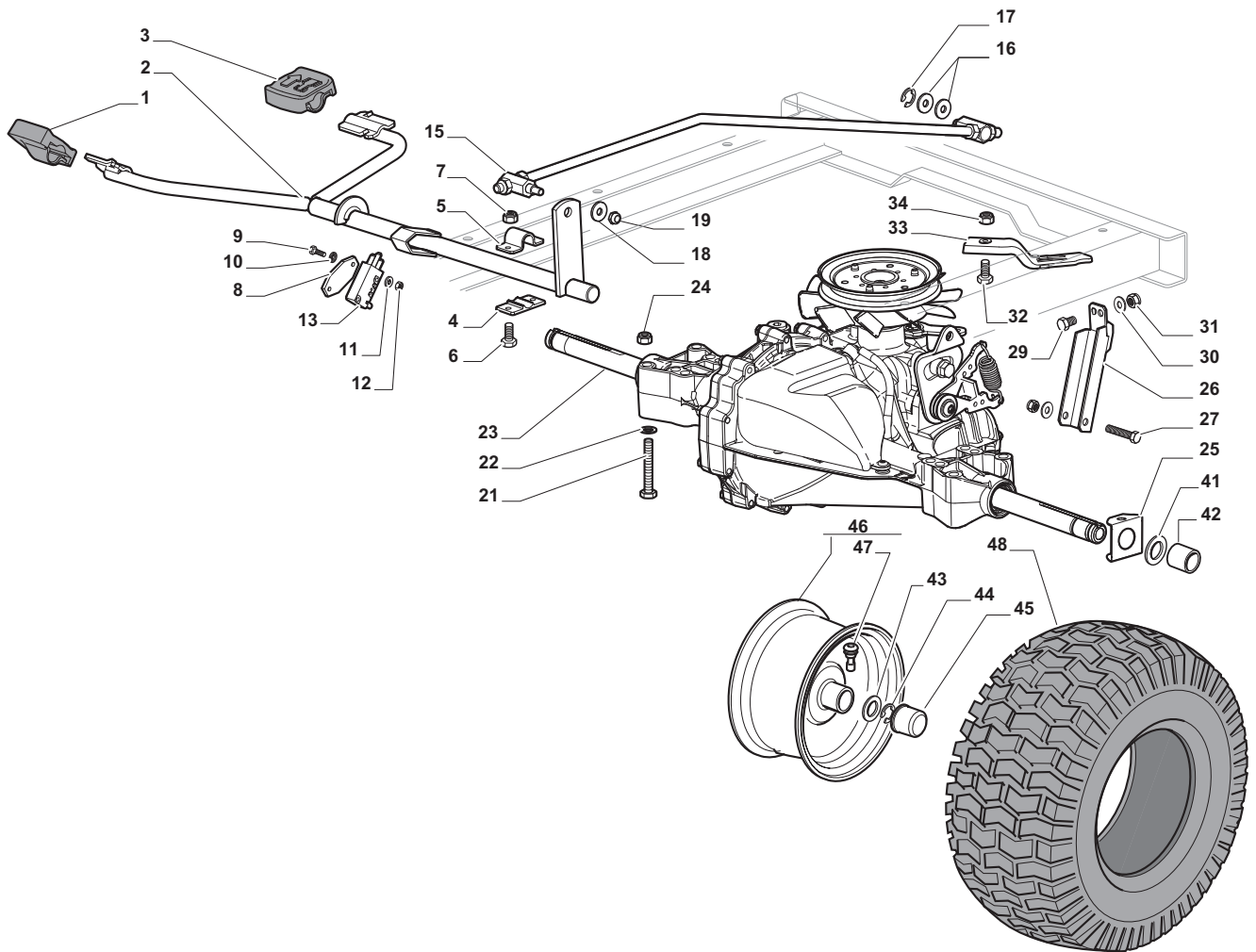
| Body | | | | |
|------|-------------|------|----------------------|-------|
| POS | CODE | Q.TY | DESCRIPTION | NOTES |
| 1 | 325076914/0 | 1 | Hood, Front,Grey | |
| 2 | 325410903/0 | 1 | Right Grill | |
| 3 | 325410904/0 | 1 | Left Grill | |
| 4 | 325785317/0 | 1 | Engine Hood Support | |
| 5 | 12735403/0 | 4 | Screw | |
| 6 | 325263302/1 | 1 | Air Intake Grill | |
| 7 | 112728692/0 | 4 | Screw | |
| 8 | 325076913/0 | 1 | Engine Hood Black | |
| 10 | 112728686/0 | 4 | Screw | |
| 11 | 325785298/0 | 1 | Dashboard Support | |
| 12 | 125943010/0 | 4 | Screw | |
| 13 | 325270325/0 | 2 | Guide | |
| 14 | 12735599/0 | 2 | Screw | |
| 15 | 112735406/0 | 3 | Screw | |
| 16 | 12523040/0 | 3 | Washer | |
| 17 | 325120202/1 | 1 | Dashboard | |
| 18 | 125943010/0 | 2 | Screw | |
| 19 | 325260003/0 | 2 | Grommet | |
| 21 | 325120203/0 | 1 | Cover | |
| 25 | 325110397/1 | 1 | Cover, Black | |
| 26 | 125943010/0 | 1 | Screw | |
| 33 | 112735406/0 | 4 | Screw | |
| 34 | 325110435/0 | 1 | Wheels Cover Black | |
| 35 | 112437506/0 | 1 | Plate | |
| 36 | 125943010/0 | 2 | Screw | |
| 37 | 112735406/0 | 2 | Screw | |
| 38 | 12523040/0 | 2 | Washer | |
| 39 | 325547208/1 | 1 | Plate | |
| 40 | 125943010/0 | 2 | Screw | |
| 42 | 325110384/0 | 1 | Right Footboardcover | |
| 43 | 325110385/0 | 1 | Left Footboard Cover | |
| 56 | 325207203/0 | 1 | Cover | |
| 57 | 12523050/0 | 4 | Washer | |
| 58 | 12735403/0 | 2 | Screw | |
| 60 | 325207198/0 | 1 | Cover | |
| 61 | 325207199/0 | 1 | Cover | |
| 62 | 12735403/0 | 4 | Screw | |
| 63 | 325207196/0 | 1 | Cover | |
| 64 | 325207197/0 | 1 | Cover | |



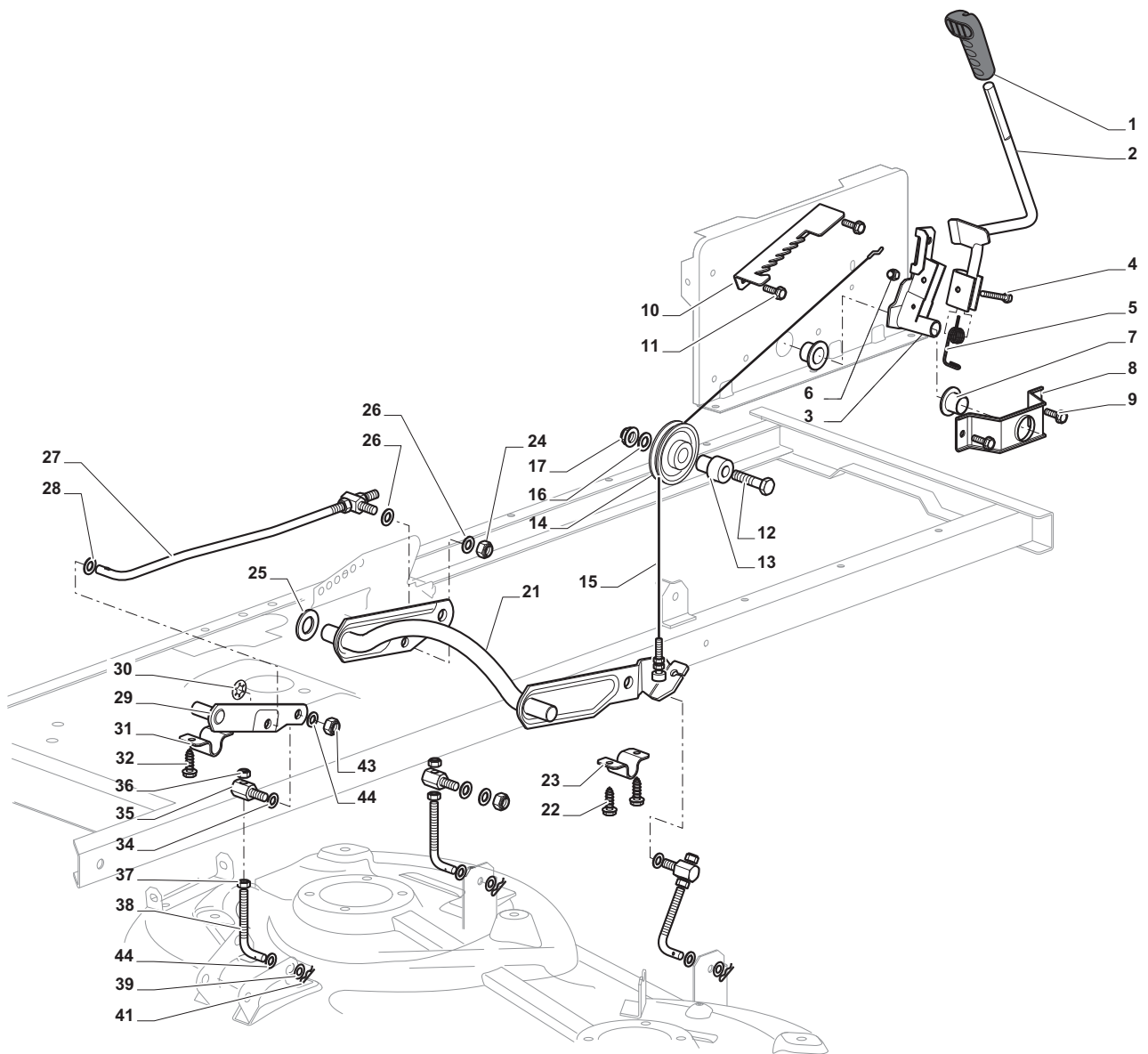
| Steering | | | | |
|----------|-------------|------|------------------------------------|-------|
| POS | CODE | Q.TY | DESCRIPTION | NOTES |
| 1 | 12692050/0 | 1 | Screw | |
| 2 | 12540260/0 | 1 | Washer | |
| 3 | 12523070/0 | 1 | Washer | |
| 4 | 125160047/0 | 1 | Spacer | |
| 5 | 325785318/0 | 1 | Support | |
| 6 | 325038008/0 | 1 | Bush | |
| 7 | 125520007/0 | 1 | Steering Column | |
| 8 | 112620300/0 | 1 | Pin | |
| 9 | 12622650/0 | 1 | Pin | |
| 10 | 125570003/0 | 1 | Pinion | |
| 11 | 27943051/0 | 2 | Screw | |
| 12 | 325785213/1 | 1 | Support | |
| 13 | 25743000/0 | 1 | Joint | |
| 14 | 12521370/0 | 1 | Washer | |
| 15 | 12436030/0 | 1 | Plate | |
| 20 | 22672151/0 | 1 | Washer | |
| 21 | 125510104/0 | 1 | Pin | |
| 22 | 125670023/0 | 1 | Washer | |
| 23 | 125510109/0 | 1 | Pin | |
| 24 | 325735519/0 | 1 | Steering Shaft | |
| 25 | 325547233/0 | 1 | Plate | |
| 26 | 12369500/0 | 1 | Elastic Washer | |
| 27 | 22160400/0 | 1 | Elastic Washer | |
| 28 | 12155010/0 | 2 | Nut | |
| 29 | 12154210/0 | 2 | Nut | |
| 31 | 382000566/1 | 1 | Steering Rod | |
| 32 | 12156602/0 | 2 | Nut | |
| 34 | 325318243/0 | 1 | Lever | |
| 35 | 12692390/0 | 1 | Screw | |
| 36 | 12521360/0 | 2 | Washer | |
| 37 | 12156602/0 | 1 | Nut | |
| 38 | 125510103/0 | 2 | Pin | |
| 39 | 325840029/0 | 1 | Tie Rod | |
| 40 | 325038007/0 | 2 | Bush | |
| 41 | 382230369/0 | 1 | Right Stub Axle,(13inch) | |
| 41 | 382230373/0 | 1 | Right Stub Axle,(15inch) | |
| 42 | 382230371/0 | 1 | Left Stub Axle,(13inch) | |
| 42 | 382230375/0 | 1 | Left Stub Axle,(15inch) | |
| 43 | 12155000/0 | 2 | Nut | |
| 45 | 382034030/0 | 1 | Equalizer With Bush And Lubricator | |
| 46 | 12379511/0 | 2 | Grease Dispenser | |
| 47 | 25034002/1 | 4 | Bush | |
| 48 | 12001010/0 | 1 | Snap Ring | |
| 51 | 12692695/0 | 1 | Screw | |
| 52 | 12523100/0 | 2 | Washer | |
| 53 | 25160016/0 | 1 | Spacer | |
| 54 | 12587100/0 | 1 | Grower | |
| 55 | 12295300/0 | 1 | Nut | |
| 61 | 25122200/2 | 4 | Bearing | |
| 62 | 182000598/0 | 2 | Rimm | |
| 63 | 25950000/0 | 2 | Valve | |
| 64 | 125590014/0 | 2 | Tire ,(13inch) | |
| 64 | 127590066/0 | 2 | Tire ,(15inch) | |
| 66 | 25670005/1 | 2 | Washer | |
| 67 | 12001010/0 | 2 | Snap Ring | |
| 68 | 322110233/0 | 2 | Hub Cover | |
| 70 | 382180124/0 | 1 | Screws Outfit | |



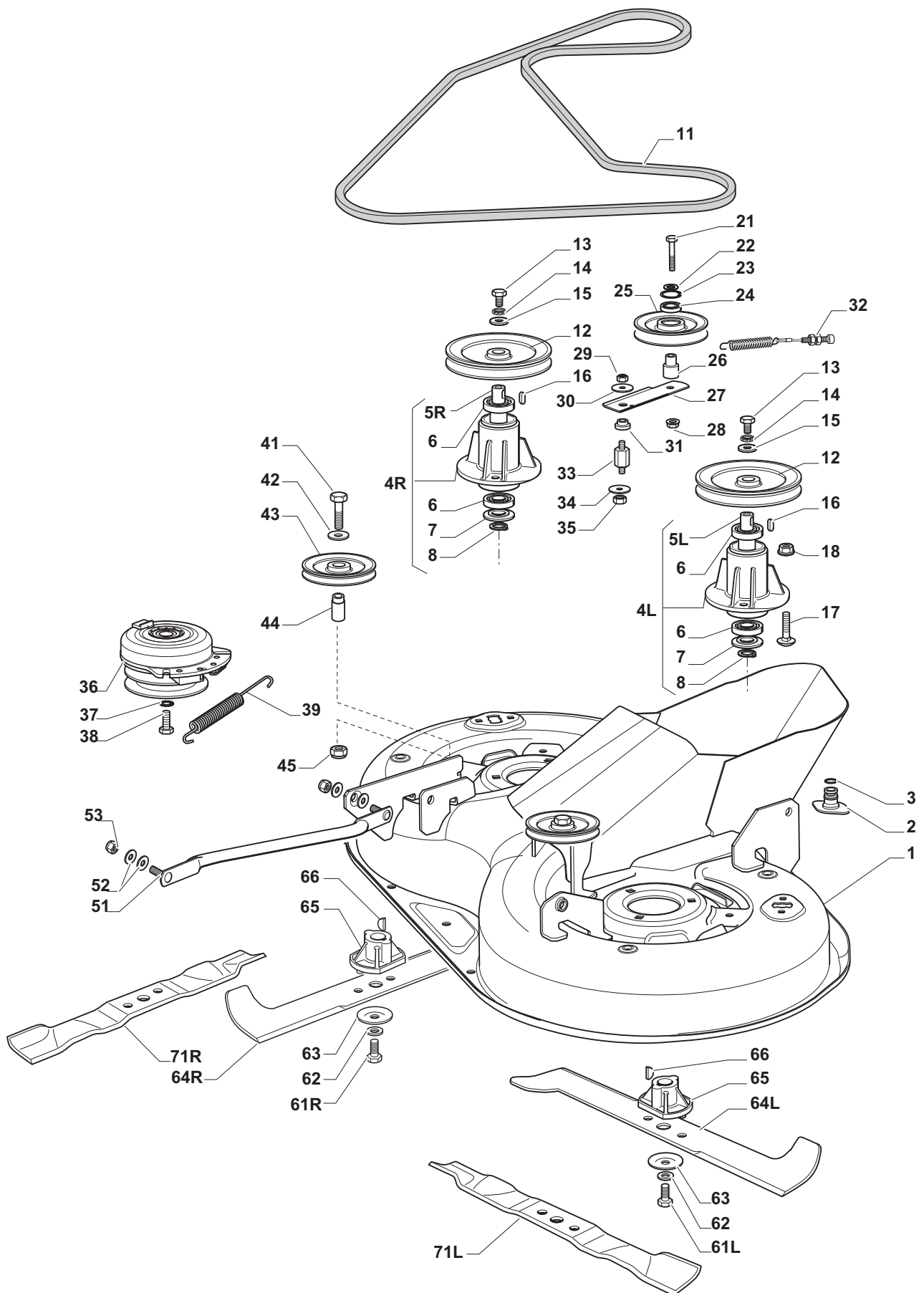
| Brake And Gearbox Controls | | | | |
|----------------------------|-------------|------|-------------|-------|
| POS | CODE | Q.TY | DESCRIPTION | NOTES |
| 1 | 325110409/0 | 1 | Clamp Cover | |
| 2 | 382000641/0 | 1 | Pedal | |
| 3 | 12735599/0 | 4 | Screw | |
| 4 | 325547231/0 | 2 | Plate | |
| 5 | 382000636/0 | 1 | Rod | |
| 6 | 12521360/0 | 1 | Washer | |
| 7 | 12156602/0 | 1 | Nut | |
| 8 | 25670011/0 | 1 | Washer | |
| 9 | 12155000/0 | 2 | Nut | |
| 10 | 125510116/0 | 1 | Pin | |
| 11 | 25160021/0 | 1 | Spacer | |
| 12 | 125601577/0 | 1 | Pulley | |
| 20 | 35062001/0 | 1 | Belt | |
| 21 | 25601555/0 | 1 | Pulley | |
| 22 | 12691400/0 | 3 | Screw | |
| 23 | 125160051/0 | 1 | Spacer | |
| 24 | 12523060/0 | 3 | Washer | |
| 25 | 12155000/0 | 3 | Nut | |
| 26 | 12155000/0 | 1 | Nut | |
| 27 | 12523060/0 | 1 | Washer | |
| 28 | 25601554/0 | 1 | Pulley | |
| 29 | 382318245/0 | 1 | Lever | |
| 30 | 12691600/0 | 1 | Screw | |
| 31 | 25038002/1 | 2 | Bush | |
| 32 | 25160027/0 | 1 | Spacer | |
| 33 | 12155000/0 | 1 | Nut | |
| 34 | 125430262/0 | 1 | Spring | |
| 41 | 325394534/0 | 1 | Knob | |
| 42 | 125033083/0 | 1 | Rod | |
| 43 | 325253011/1 | 1 | Hook | |
| 44 | 22524970/2 | 1 | Pin | |
| 45 | 12155000/0 | 1 | Nut | |
| 46 | 25430213/0 | 1 | Spring | |
| 47 | 12523060/0 | 1 | Washer | |
| 51 | 125160068/0 | 2 | Spacer | |
| 52 | 125601592/0 | 2 | Pulley | |



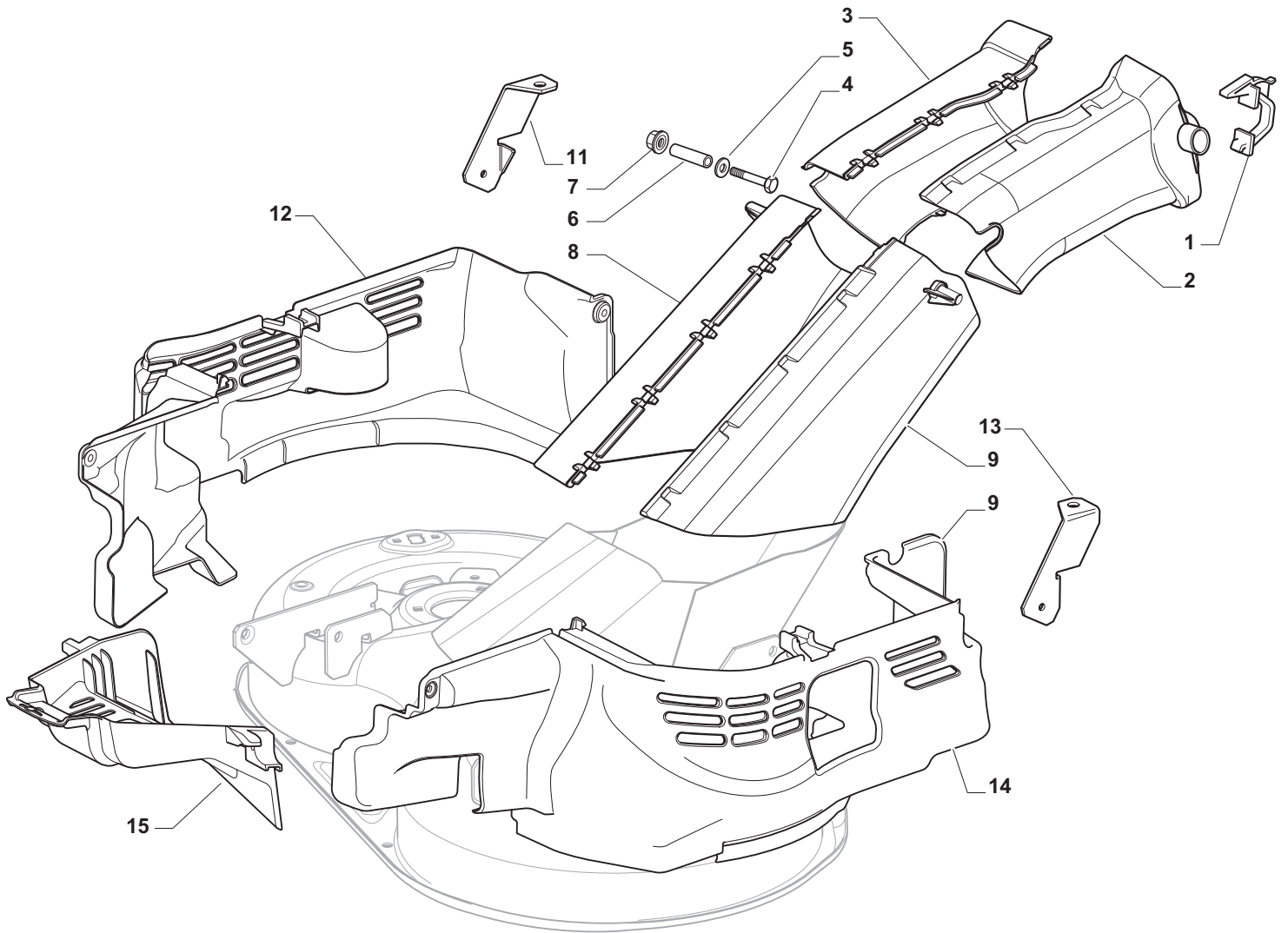
| Transmission | | | | |
|--------------|-------------|------|--|-------|
| POS | CODE | Q.TY | DESCRIPTION | NOTES |
| 1 | 25110274/0 | 1 | Clamp Cover Front | |
| 2 | 382000574/0 | 1 | Drive Pedal | |
| 3 | 25110331/0 | 1 | Clamp Cover Rear | |
| 4 | 325785350/0 | 2 | Support | |
| 5 | 325547231/0 | 2 | Plate | |
| 6 | 12791213/1 | 4 | Screw | |
| 7 | 12154510/0 | 4 | Nut | |
| 8 | 27546019/0 | 1 | Plate | |
| 9 | 12735602/0 | 2 | Screw | |
| 10 | 12540020/0 | 2 | Washer | |
| 11 | 12581100/0 | 2 | Grower | |
| 12 | 12290791/0 | 2 | Nut | |
| 13 | 19410609/0 | 1 | Microswitch | |
| 15 | 382000573/1 | 1 | Rod | |
| 16 | 25670011/0 | 2 | Washer | |
| 17 | 12000955/0 | 1 | Snap Ring | |
| 18 | 12523040/0 | 1 | Washer | |
| 19 | 12154510/0 | 1 | Nut | |
| 21 | 12691600/0 | 4 | Screw | |
| 22 | 12521350/0 | 4 | Washer | |
| 23 | 118400921/0 | 1 | Rear Axle (Hydro-Gear T2-ADBF-2X3C-1RX1) | |
| 24 | 12155000/0 | 4 | Nut | |
| 25 | 325670026/0 | 2 | Washer | |
| 26 | 325785349/1 | 1 | Support | |
| 27 | 12691700/0 | 1 | Screw | |
| 29 | 12792611/0 | 1 | Screw | |
| 30 | 12523060/0 | 2 | Washer | |
| 31 | 12155000/0 | 2 | Nut | |
| 32 | 12791213/1 | 1 | Screw | |
| 33 | 325318251/0 | 1 | Lever | |
| 34 | 12154510/0 | 1 | Nut | |
| 41 | 25670005/1 | 2 | Washer | |
| 42 | 125160055/0 | 2 | Spacer | |
| 43 | 25670005/1 | 6 | Washer | |
| 44 | 12001010/0 | 2 | Snap Ring | |
| 45 | 322110233/0 | 2 | Hub Cover | |
| 46 | 382000597/0 | 2 | Rimm | |
| 47 | 25950000/0 | 2 | Valve | |
| 48 | 125590015/0 | 2 | Shoe | |



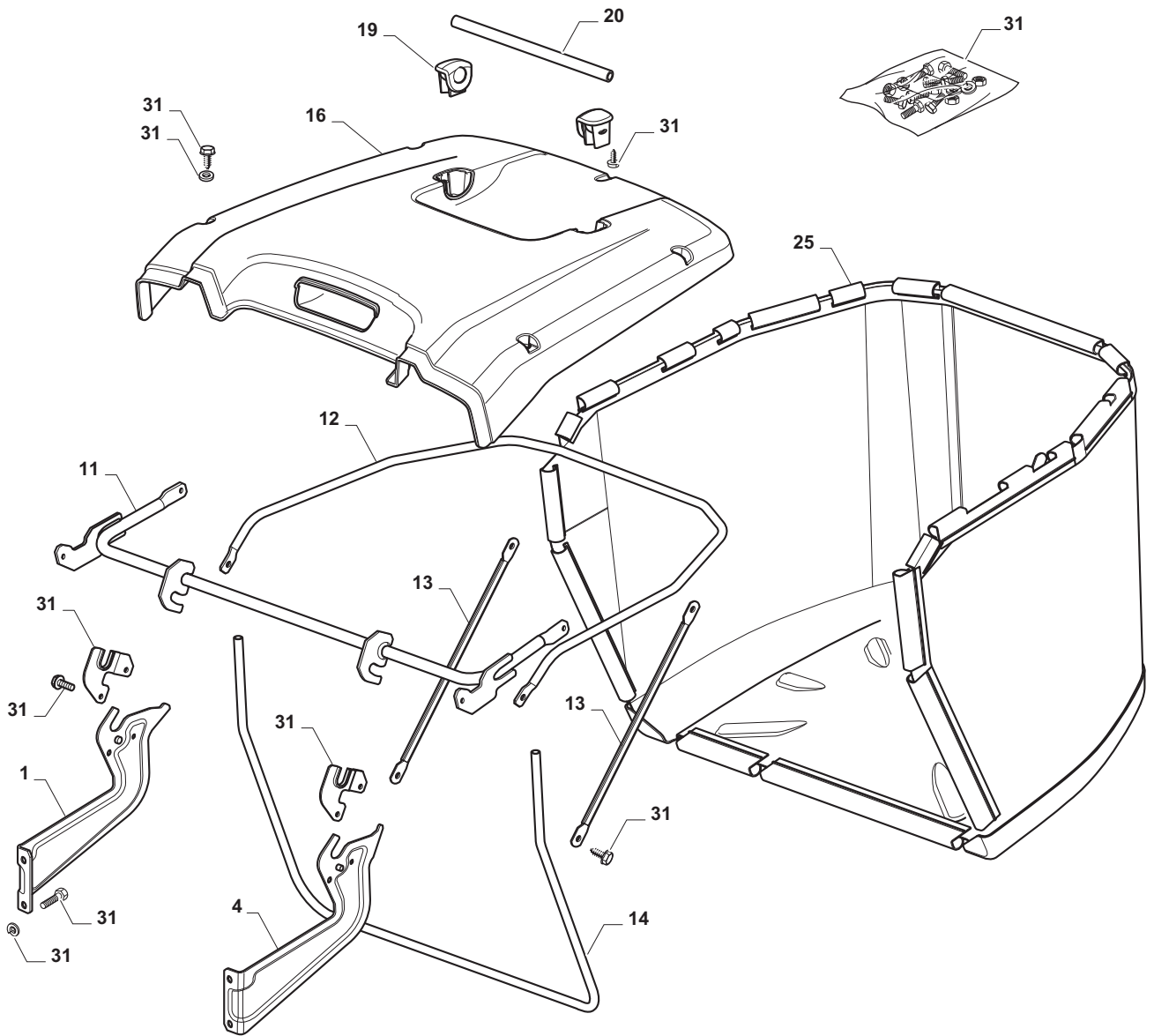
| Cutting Plate Lifting | | | | |
|-----------------------|-------------|------|----------------|-------|
| POS | CODE | Q.TY | DESCRIPTION | NOTES |
| 1 | 325394533/0 | 1 | Knob | |
| 2 | 382318255/0 | 1 | Lever | |
| 3 | 382318231/0 | 1 | Axle | |
| 4 | 12674700/0 | 1 | Screw | |
| 5 | 125430261/0 | 1 | Spring | |
| 6 | 12154510/0 | 1 | Nut | |
| 7 | 325038006/0 | 2 | Bush | |
| 8 | 325785297/0 | 1 | Support | |
| 9 | 125943009/0 | 2 | Screw | |
| 10 | 325735515/0 | 1 | Steering Shaft | |
| 11 | 125943009/0 | 2 | Screw | |
| 12 | 12793701/0 | 1 | Screw | |
| 13 | 125040636/0 | 1 | Bush | |
| 14 | 125601579/0 | 1 | Pulley | |
| 15 | 382004620/0 | 1 | Wire | |
| 16 | 12523060/0 | 1 | Washer | |
| 17 | 12293201/0 | 1 | Nut | |
| 21 | 382318253/0 | 1 | Axle | |
| 22 | 12735599/0 | 4 | Screw | |
| 23 | 325547231/0 | 2 | Plate | |
| 24 | 12155000/0 | 1 | Nut | |
| 25 | 12521390/0 | 2 | Washer | |
| 26 | 25670011/0 | 2 | Washer | |
| 27 | 382000569/1 | 1 | Connecting Rod | |
| 28 | 12521350/0 | 1 | Washer | |
| 29 | 382318237/0 | 1 | Axle | |
| 30 | 12604899/0 | 1 | Crown Fastener | |
| 31 | 325547231/0 | 1 | Plate | |
| 32 | 12735599/0 | 2 | Screw | |
| 34 | 25670008/1 | 3 | Washer | |
| 35 | 125510107/1 | 3 | Pin | |
| 36 | 12156602/0 | 3 | Nut | |
| 37 | 12295200/0 | 3 | Nut | |
| 38 | 25840012/0 | 3 | Tie Rod | |
| 39 | 12523060/0 | 3 | Washer | |
| 41 | 24487998/0 | 3 | Cotter Pin | |
| 43 | 12156602/0 | 3 | Nut | |
| 44 | 25670008/1 | 6 | Washer | |



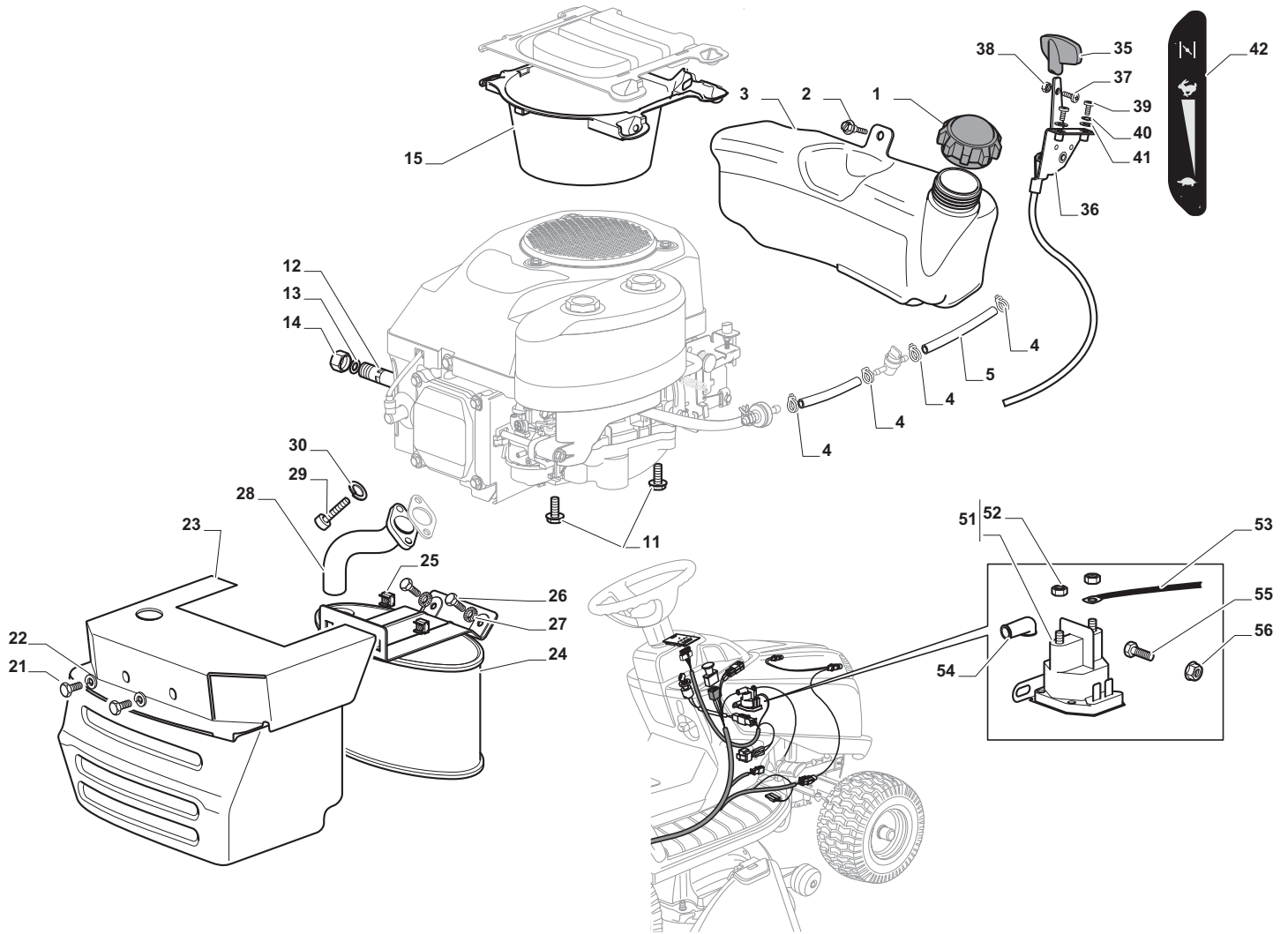
| Cutting Plate | | | | |
|---------------|-------------|------|-----------------------|-------|
| POS | CODE | Q.TY | DESCRIPTION | NOTES |
| 1 | 382564114/0 | 1 | Plate | |
| 2 | 325033086/0 | 2 | Water Hose Connection | |
| 3 | 19035000/0 | 2 | O Ring | |
| 4R | 382207205/0 | 1 | Flange Ass.Y | |
| 4L | 382207206/0 | 1 | Flange Ass.Y | |
| 5R | 125020805/0 | 1 | Shaft | |
| 5L | 125020804/0 | 1 | Shaft | |
| 6 | 119216049/0 | 4 | Bearing | |
| 7 | 25160501/0 | 2 | Dust Cover | |
| 8 | 12609260/0 | 2 | Seeger | |
| 11 | 135061508/0 | 1 | Belt | |
| 12 | 125601585/1 | 2 | Pulley | |
| 13 | 12793102/0 | 2 | Screw | |
| 14 | 12540260/0 | 2 | Washer | |
| 15 | 25670007/0 | 2 | Washer | |
| 16 | 12139480/0 | 2 | Key | |
| 17 | 12818690/0 | 6 | Screw | |
| 18 | 12154210/0 | 6 | Nut | |
| 21 | 12691400/0 | 1 | Screw | |
| 22 | 12524010/0 | 1 | Washer | |
| 23 | 12610800/0 | 1 | Snap Ring | |
| 24 | 19216041/0 | 1 | Bearing | |
| 24 | 119216048/0 | 1 | Bearing | |
| 25 | 125601595/0 | 1 | Pulley | |
| 26 | 125160052/0 | 1 | Spacer | |
| 27 | 325318289/0 | 1 | Lever | |
| 28 | 12293201/0 | 1 | Nut | |
| 29 | 12155020/0 | 1 | Nut | |
| 30 | 125670022/0 | 1 | Washer | |
| 31 | 125040635/0 | 1 | Bush | |
| 32 | 82004618/0 | 1 | Wire | |
| 33 | 125160049/0 | 1 | Spacer | |
| 34 | 12523080/0 | 1 | Washer | |
| 35 | 12156602/0 | 1 | Nut | |
| 36 | 118399069/0 | 1 | Clutc | |
| 37 | 12543000/0 | 1 | Washer | |
| 38 | 12737320/0 | 1 | Screw | |
| 39 | 125430277/0 | 1 | Spring | |
| 41 | 112691400/0 | 2 | Screw | |
| 42 | 112523060/0 | 2 | Washer | |
| 43 | 125601555/0 | 2 | Pulley | |
| 44 | 125160069/0 | 2 | Spacer | |
| 45 | 112155000/0 | 2 | Nut | |
| 51 | 382000565/0 | 2 | Equalizer Rod | |
| 52 | 25670008/1 | 8 | Washer | |
| 53 | 12156602/0 | 4 | Nut | |
| 61R | 112735695/1 | 1 | Screw | |
| 61L | 112735694/0 | 1 | Screw | |
| 62 | 12523080/0 | 2 | Washer | |
| 63 | 22160400/0 | 2 | Elastic Washer | |
| 64R | 182004358/0 | 1 | Right Blade, Winged | |
| 64L | 182004359/0 | 1 | Left Blade, Winged | |
| 65 | 25463200/0 | 2 | Blade Hub | |
| 66 | 12139100/0 | 2 | Feather | |
| 71R | 182004360/0 | 1 | Right Blade Mulching | |
| 71L | 182004361/0 | 1 | Left Blade Mulching | |



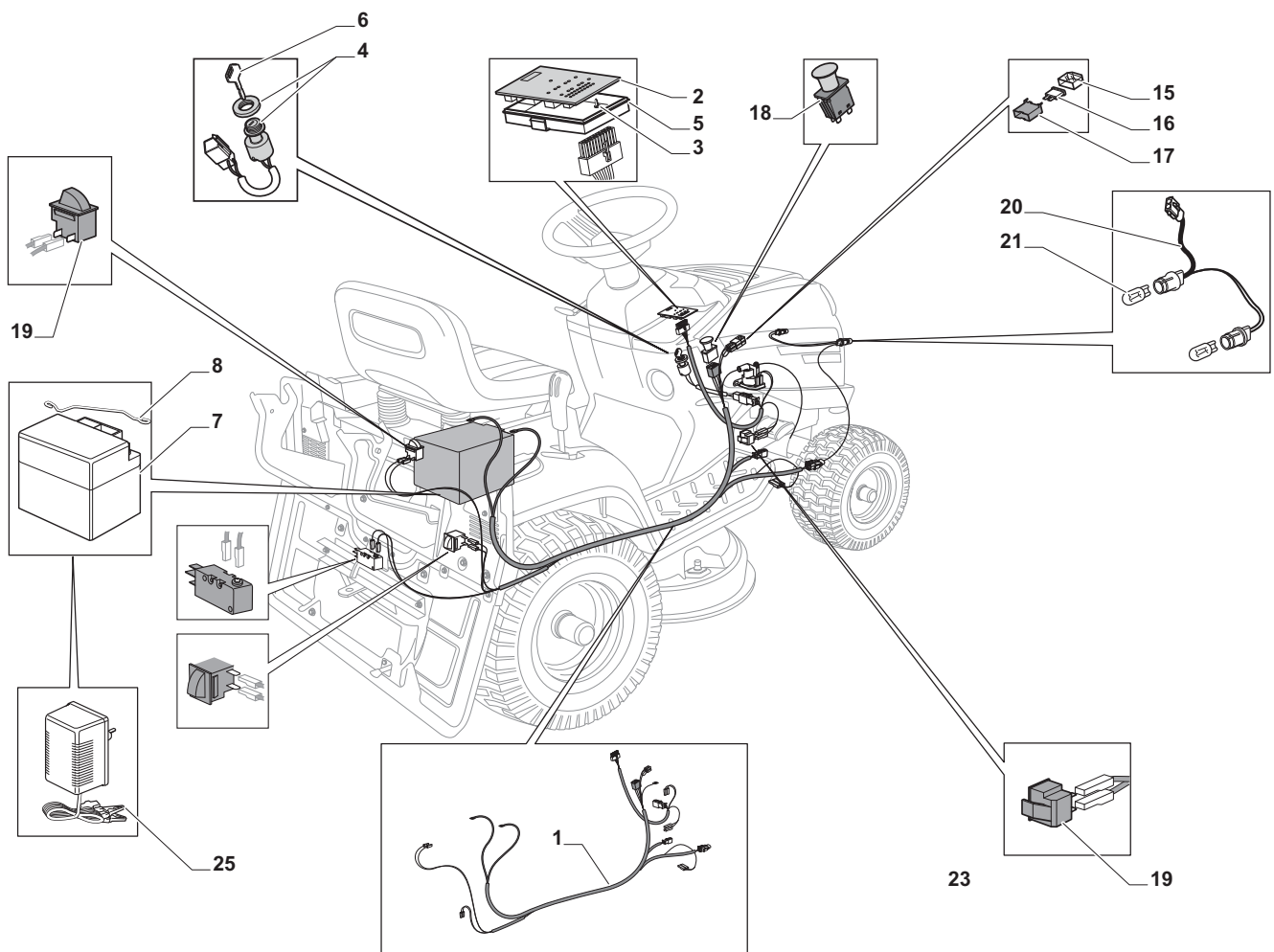
| Guards | | | | |
|--------|-------------|------|-------------|-------|
| POS | CODE | Q.TY | DESCRIPTION | NOTES |
| 1 | 325774499/0 | 2 | Clamp | |
| 2 | 325108056/0 | 1 | Conveyor | |
| 3 | 325108057/0 | 1 | Conveyor | |
| 4 | 112792425/0 | 2 | Screw | |
| 5 | 112521330/0 | 2 | Washer | |
| 6 | 125160071/0 | 2 | Spacer | |
| 7 | 112292102/0 | 2 | Nut | |
| 8 | 325108064/0 | 1 | Conveyor | |
| 9 | 325108065/0 | 1 | Conveyor | |
| 11 | 325774527/0 | 1 | Clamp | |
| 12 | 325060164/0 | 1 | Case | |
| 13 | 325774529/0 | 1 | Clamp | |
| 14 | 325060165/0 | 1 | Case | |
| 15 | 325060166/0 | 1 | Guard | |



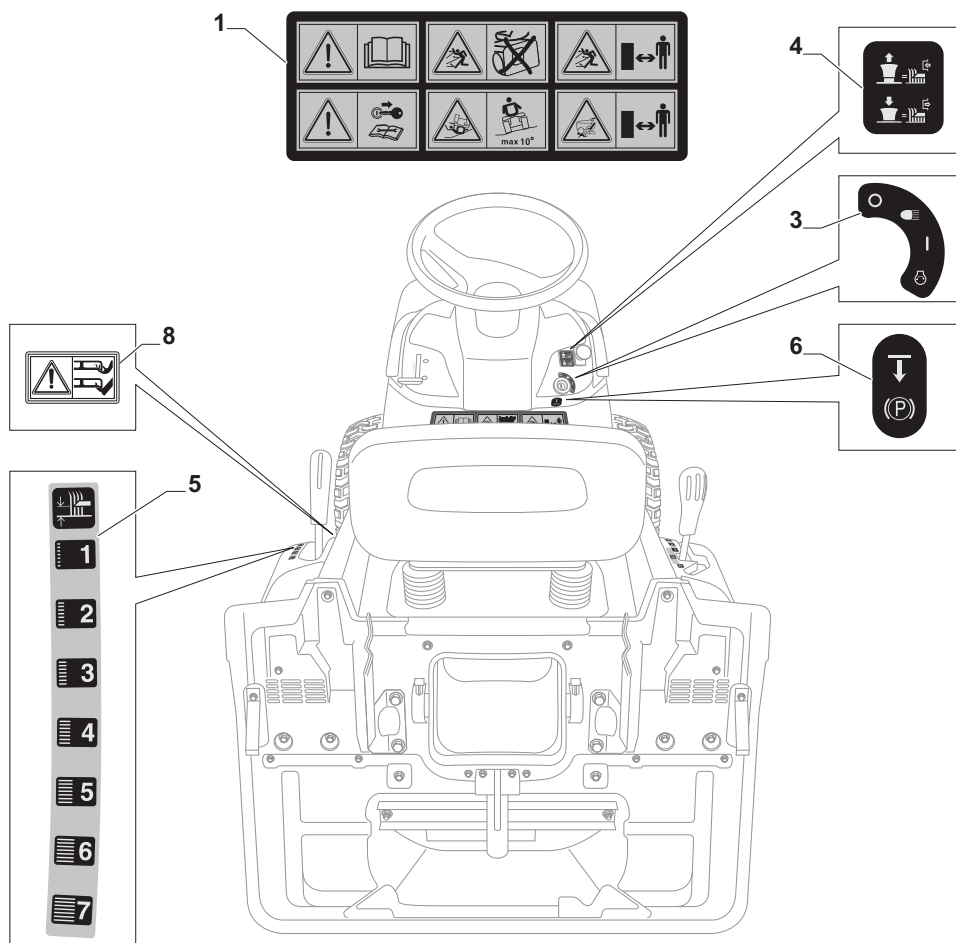
| Grasscatcher | | | | |
|--------------|-------------|------|----------------------------|-------|
| POS | CODE | Q.TY | DESCRIPTION | NOTES |
| 1 | 325785377/0 | 1 | Support | |
| 4 | 325785383/0 | 1 | Support | |
| 11 | 382800147/0 | 1 | Upper Frame | |
| 12 | 382800145/0 | 1 | Upper Frame | |
| 13 | 325650161/0 | 2 | Stiffening | |
| 14 | 382800143/0 | 1 | Front Frame | |
| 16 | 325110437/0 | 1 | Grass-Catcher Cover, Black | |
| 19 | 325785417/0 | 2 | Support | |
| 20 | 325394538/0 | 1 | Handle | |
| 25 | 182105942/0 | 1 | Grasscatcher | |
| 31 | 382180122/0 | 1 | Screws Outfit | |



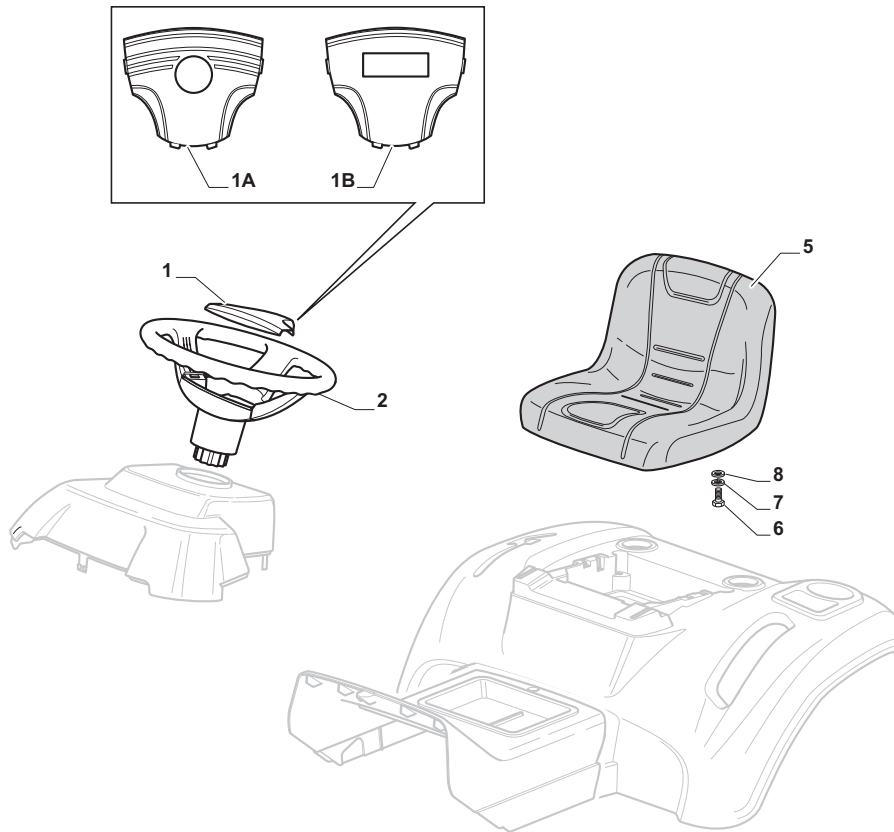
| Engine - GGP | | | | |
|--------------|-------------|------|---------------------------|-------|
| POS | CODE | Q.TY | DESCRIPTION | NOTES |
| 1 | 25795001/1 | 1 | Cap | |
| 2 | 125943006/0 | 4 | Screw | |
| 3 | 325735126/0 | 1 | Tank | |
| 4 | 18375051/1 | 4 | Fair Led | |
| 5 | 25869057/0 | 1 | Connecting Tube (1000 Mm) | |
| 11 | 112735108/1 | 4 | Screw | |
| 12 | 27598060/0 | 1 | Oil Discharge Extension | |
| 13 | 18401001/1 | 1 | Oil Seal | |
| 14 | 18737849/0 | 1 | Oil Cap | |
| 15 | 325108044/1 | 1 | Conveyor | |
| 15 | 325108044/0 | 1 | Conveyor | |
| 21 | 12792611/0 | 2 | Screw | |
| 22 | 12540260/0 | 2 | Washer | |
| 23 | 382598045/0 | 1 | Muffler Protection | |
| 24 | 182750010/0 | 1 | Muffler | |
| 25 | 12360425/0 | 2 | Nut (Mech.) | |
| 26 | 12792611/0 | 2 | Screw | |
| 27 | 12540260/0 | 2 | Washer | |
| 28 | 118738231/1 | 1 | Exhaust Tube | |
| 29 | 12737450/0 | 2 | Screw | |
| 30 | 12540260/0 | 2 | Washer | |
| 35 | 325394531/0 | 1 | Knob | |
| 36 | 182000215/0 | 1 | Accelerator | |
| 37 | 112726389/0 | 1 | Screw | |
| 38 | 12290800/0 | 1 | Nut | |
| 39 | 112726389/0 | 2 | Screw | |
| 40 | 12540020/0 | 2 | Washer | |
| 41 | 12521310/0 | 2 | Washer | |
| 42 | 114363697/0 | 1 | Label | |
| 51 | 18736111/0 | 1 | Starter Relay | |
| 52 | 12360352/0 | 2 | Nut | |
| 53 | 25065002/0 | 1 | Cable | |
| 54 | 18564864/1 | 1 | Protection | |
| 55 | 12790781/0 | 1 | Screw | |
| 56 | 12154510/0 | 2 | Nut | |



| Electrical Parts | | | | |
|------------------|-------------|------|------------------------|-------|
| POS | CODE | Q.TY | DESCRIPTION | NOTES |
| 1 | 182040181/0 | 1 | Cables Ass.Y | |
| 2 | 125722437/0 | 1 | Electronic Card | |
| 3 | 112735101/0 | 3 | Screw | |
| 4 | 118450075/0 | 1 | Starting Switch | |
| 5 | 325600090/0 | 1 | Card Protection | |
| 6 | 118210023/0 | 1 | Starting Key | |
| 7 | 18120002/1 | 1 | Battery | |
| 8 | 125430265/0 | 1 | Spring | |
| 15 | 33215000/0 | 2 | Cover | |
| 16 | 33340040/0 | 1 | Fuse 10A | |
| 16 | 33340036/0 | 1 | Fuse 25 A | |
| 17 | 33500007/0 | 2 | Fuse Carrier | |
| 18 | 118450074/0 | 1 | Clutch Switch | |
| 19 | 119410613/0 | 3 | Micro | |
| 20 | 182040186/0 | 1 | Cable | |
| 21 | 18459100/0 | 2 | Farilamp For Lights | |
| 22 | 119410605/1 | 1 | Full Grasscatc. Micro | |
| 25 | 182180090/0 | 1 | Battery Charger | |
| 25 | 182180091/0 | 1 | Battery Charger (U.K.) | |



| Labels | | | | |
|--------|-------------|------|-------------|-------|
| POS | CODE | Q.TY | DESCRIPTION | NOTES |
| 1 | 114361553/1 | 1 | Label | |
| 3 | 114363699/0 | 1 | Label | |
| 4 | 14361438/0 | 1 | Label | |
| 5 | 114363701/0 | 1 | Label | |
| 6 | 114363700/0 | 1 | Label | |
| 8 | 114356699/1 | 1 | Label | |



| Seat & Steering Wheel | | | | |
|-----------------------|-------------|------|----------------|-------|
| POS | CODE | Q.TY | DESCRIPTION | NOTES |
| 1A | 325580503/0 | 1 | Steering Plate | |
| 1B | 325580504/0 | 1 | Steering Plate | |
| 2 | 325961219/0 | 1 | Steering Wheel | |
| 5 | 125722472/0 | 1 | Seat | |
| 6 | 12792611/0 | 4 | Screw | |
| 7 | 12540260/0 | 4 | Washer | |
| 8 | 12523060/0 | 4 | Washer | |