

Genuine Spare Parts

www.stiga.com

ESTATE GRAND TORNADO HST

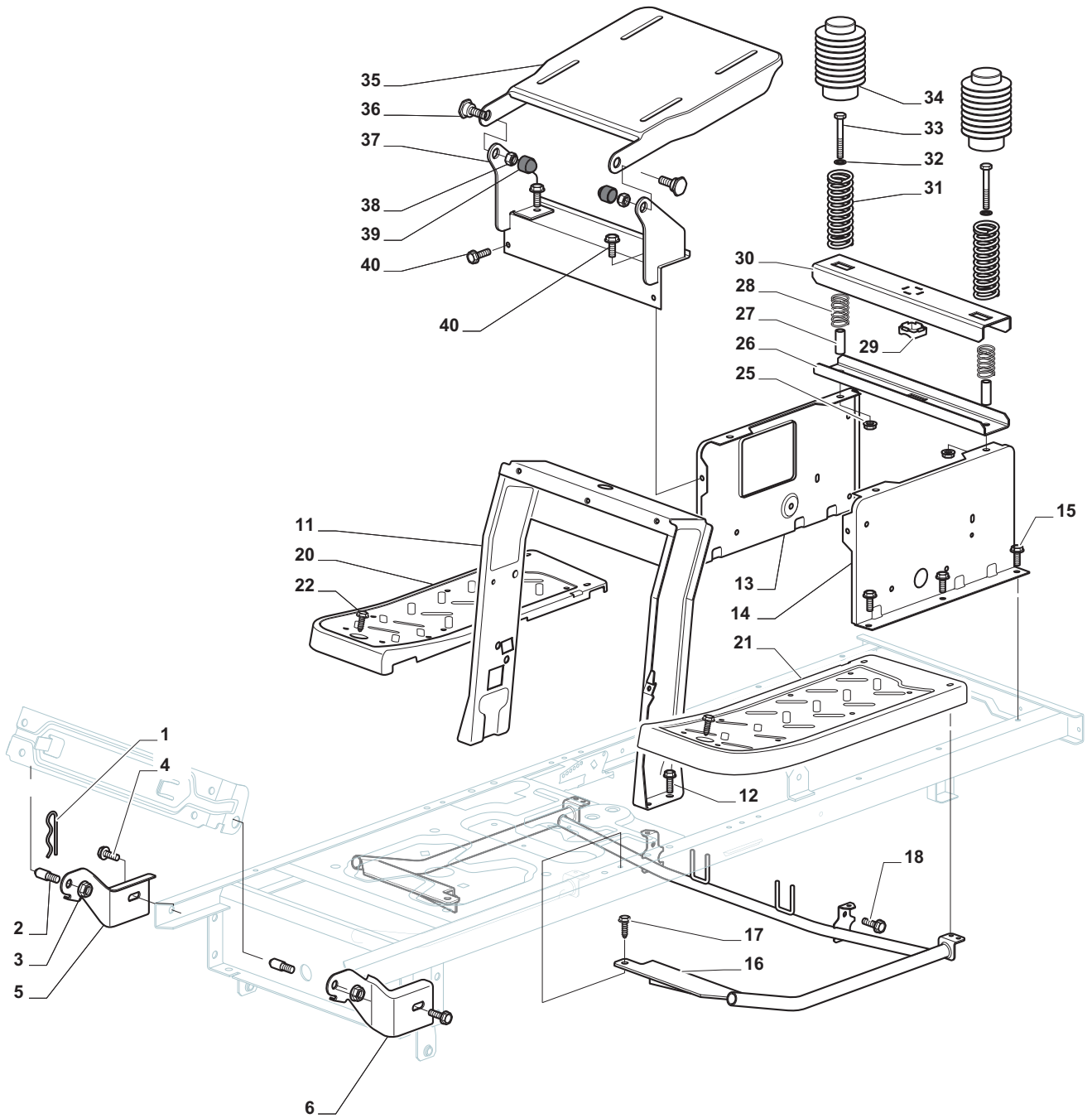
- Use GLOBAL GARDEN PRODUCT Genuine Spare Parts specified in the parts list for repair and/or replacement.
- The contents described in the parts list may change due to improvement.
- The drawings of the spare parts are only indicative and might not represent the part in question exactly.
- The indications "right" - "left" - "front" - "rear" refer to the position of the operator when using the machine.
- When placing orders of parts for repair and/or replacement, make sure that the illustrated parts list is the one applying to the machine's year of manufacture, as shown on the identification plate attached to the machine.

© Copyright 2012 Global Garden Products

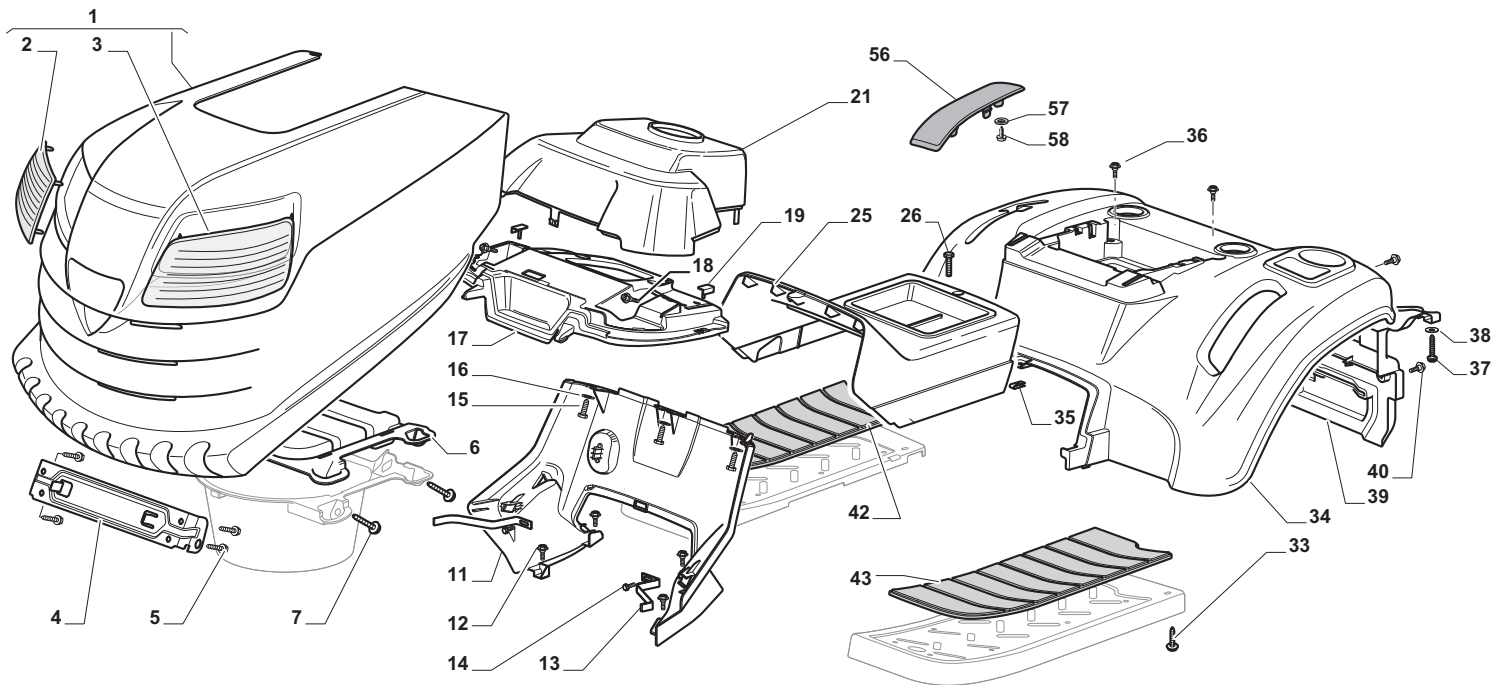
All content is subject to copyright by Global Garden Products and may not be reproduced in whole or in part by any means, electronic or otherwise, without prior written approval.

THIS INFORMATION IS NOT INTENDED FOR SALE OR RESALE, AND THIS NOTICE MUST REMAIN ON ALL COPIES.

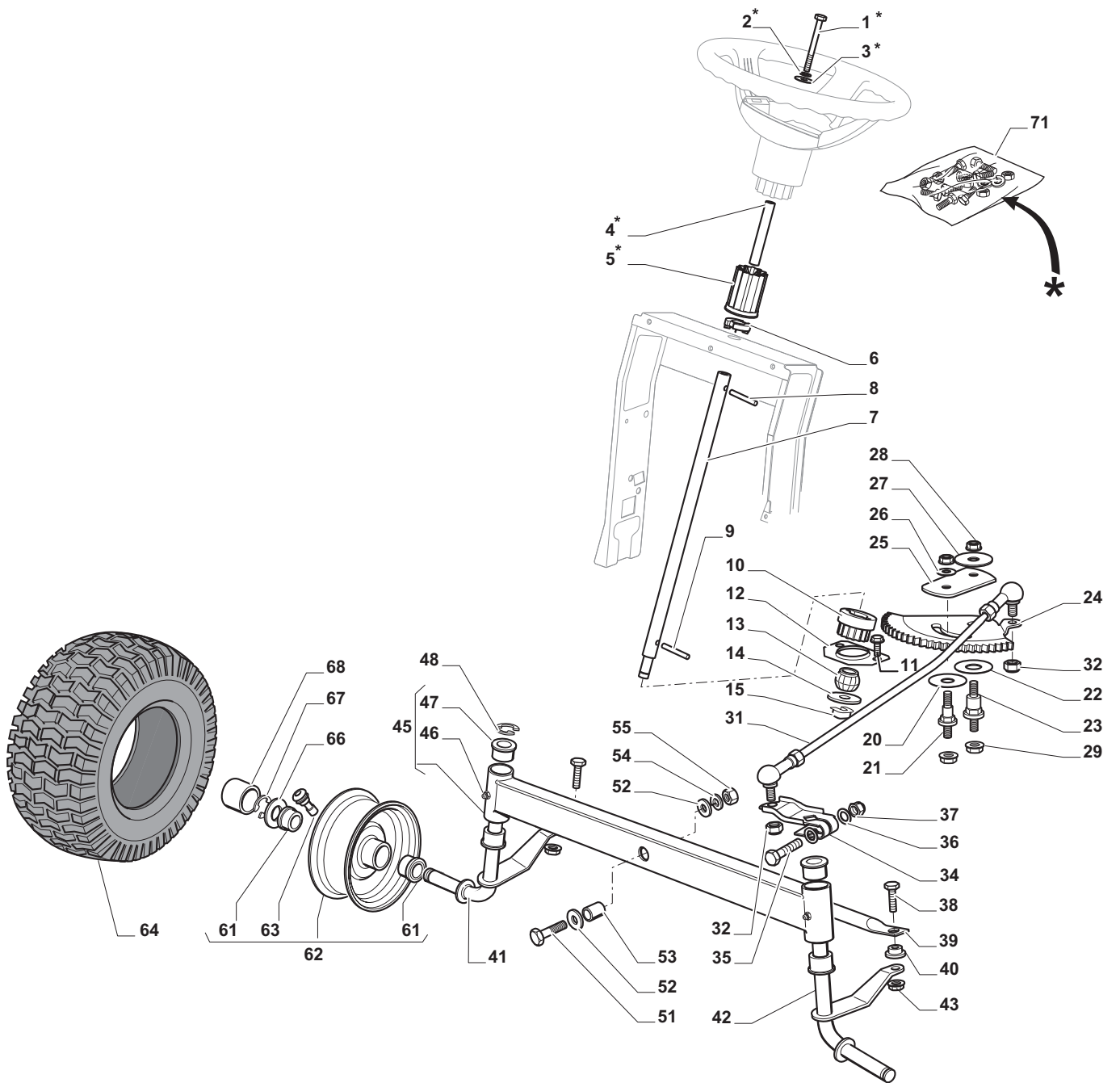




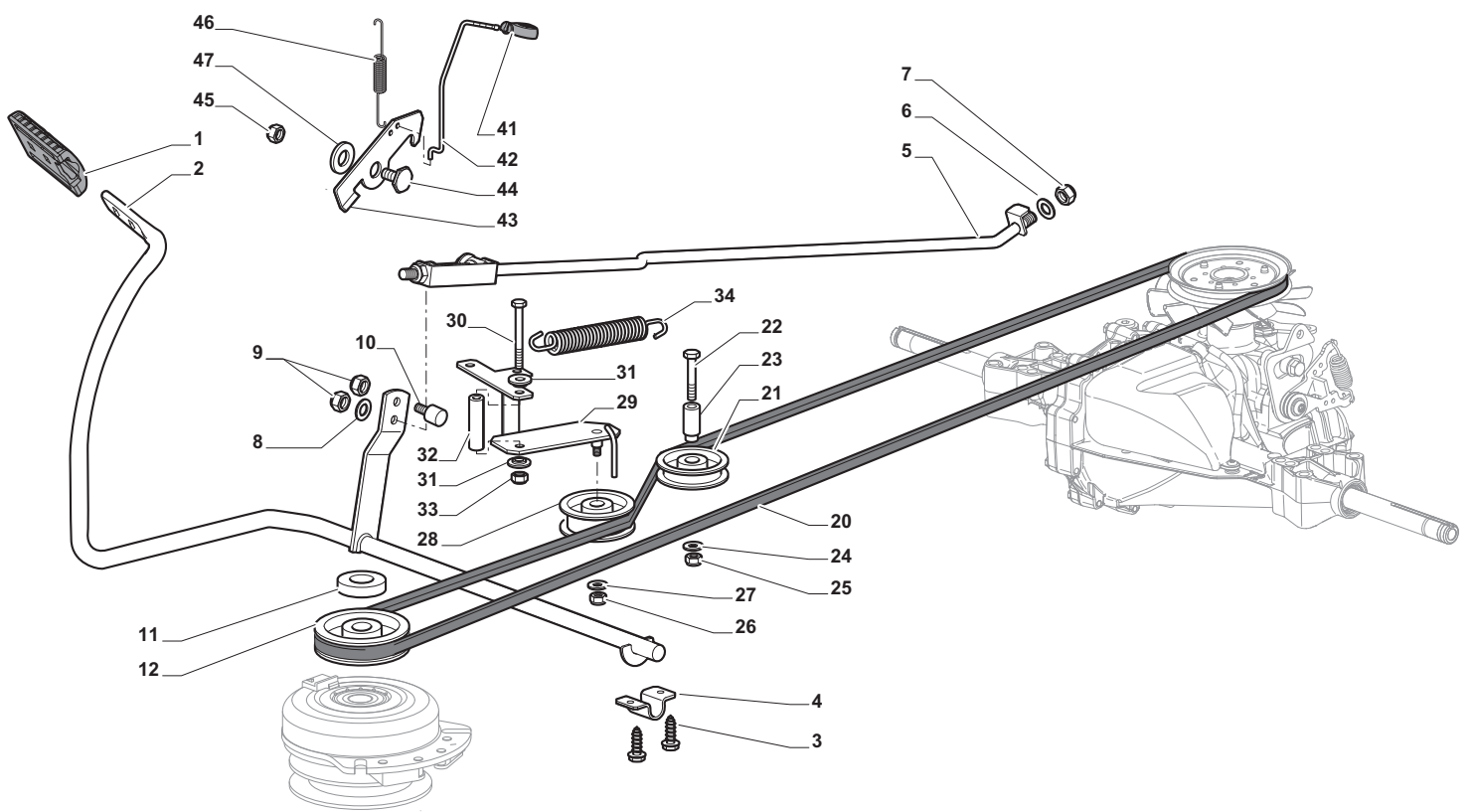
| Chassis | | | | |
|----------|-------------|------|-------------------------|-------|
| POSITION | CODE | Q.TY | DESCRIPTION | NOTES |
| 1 | 24487998/0 | 1 | Cotter Pin | |
| 2 | 25510079/0 | 2 | Pin | |
| 3 | 12154210/0 | 2 | Nut | |
| 4 | 12735599/0 | 2 | Screw | |
| 5 | 325547225/0 | 1 | Right Plate | |
| 6 | 325547227/0 | 1 | Left Plate | |
| 11 | 382785169/1 | 1 | Steering Column Support | |
| 12 | 125943009/0 | 4 | Screw | |
| 13 | 325785331/1 | 1 | Right Seat Support | |
| 14 | 325785333/1 | 1 | Left Seat Support | |
| 15 | 125943009/0 | 6 | Screw | |
| 16 | 382785179/0 | 1 | Footboard Support | |
| 17 | 125943009/0 | 2 | Screw | |
| 18 | 125943009/0 | 2 | Screw | |
| 20 | 325500041/1 | 1 | Right Footboard | |
| 21 | 325500043/1 | 1 | Left Footboard | |
| 22 | 12735599/0 | 2 | Screw | |
| 25 | 12293201/0 | 2 | Nut | |
| 26 | 325820109/1 | 1 | Seat Support | |
| 27 | 125160048/0 | 2 | Spacer | |
| 28 | 125430263/0 | 2 | Spring | |
| 29 | 325060038/0 | 1 | Cam | |
| 30 | 325820105/1 | 1 | Support | |
| 31 | 125430264/0 | 2 | Spring | |
| 32 | 12521350/0 | 2 | Washer | |
| 33 | 12691400/0 | 2 | Screw | |
| 34 | 325122002/0 | 2 | Hood | |
| 35 | 382547061/0 | 1 | Plate | |
| 36 | 22524970/2 | 2 | Pin | |
| 37 | 382820151/0 | 1 | Seat Support | |
| 38 | 12155010/0 | 2 | Nut | |
| 39 | 118203854/0 | 2 | Protection | |
| 40 | 125943009/0 | 4 | Screw | |



| Body | | | | |
|----------|-------------|------|----------------------|-------|
| POSITION | CODE | Q.TY | DESCRIPTION | NOTES |
| 1 | 382076955/0 | 1 | Engine Hood Yellow | |
| 2 | 325410887/0 | 1 | Right Grill | |
| 3 | 325410888/0 | 1 | Left Grill | |
| 4 | 325785317/0 | 1 | Engine Hood Support | |
| 5 | 12735403/0 | 4 | Screw | |
| 6 | 325263302/1 | 1 | Air Intake Grill | |
| 7 | 112728692/0 | 4 | Screw | |
| 11 | 325785298/0 | 1 | Dashboard Support | |
| 12 | 125943010/0 | 4 | Screw | |
| 13 | 325270325/0 | 2 | Guide | |
| 14 | 12735599/0 | 2 | Screw | |
| 15 | 112735406/0 | 3 | Screw | |
| 16 | 12523040/0 | 3 | Washer | |
| 17 | 325120202/1 | 1 | Dashboard | |
| 18 | 125943010/0 | 2 | Screw | |
| 19 | 325260003/0 | 2 | Grommet | |
| 21 | 325120203/0 | 1 | Cover | |
| 25 | 325110396/1 | 1 | Cover, Yellow | |
| 26 | 125943010/0 | 1 | Screw | |
| 33 | 112735406/0 | 4 | Screw | |
| 34 | 325110399/0 | 1 | Wheels Cover, Yellow | |
| 35 | 112437506/0 | 1 | Plate | |
| 36 | 125943010/0 | 2 | Screw | |
| 37 | 112735406/0 | 2 | Screw | |
| 38 | 12523040/0 | 2 | Washer | |
| 39 | 325547208/1 | 1 | Plate | |
| 40 | 125943010/0 | 2 | Screw | |
| 42 | 325110384/0 | 1 | Right Footboardcover | |
| 43 | 325110385/0 | 1 | Left Footboard Cover | |
| 56 | 325207190/0 | 1 | Cover | |
| 57 | 12523050/0 | 4 | Washer | |
| 58 | 12735403/0 | 2 | Screw | |

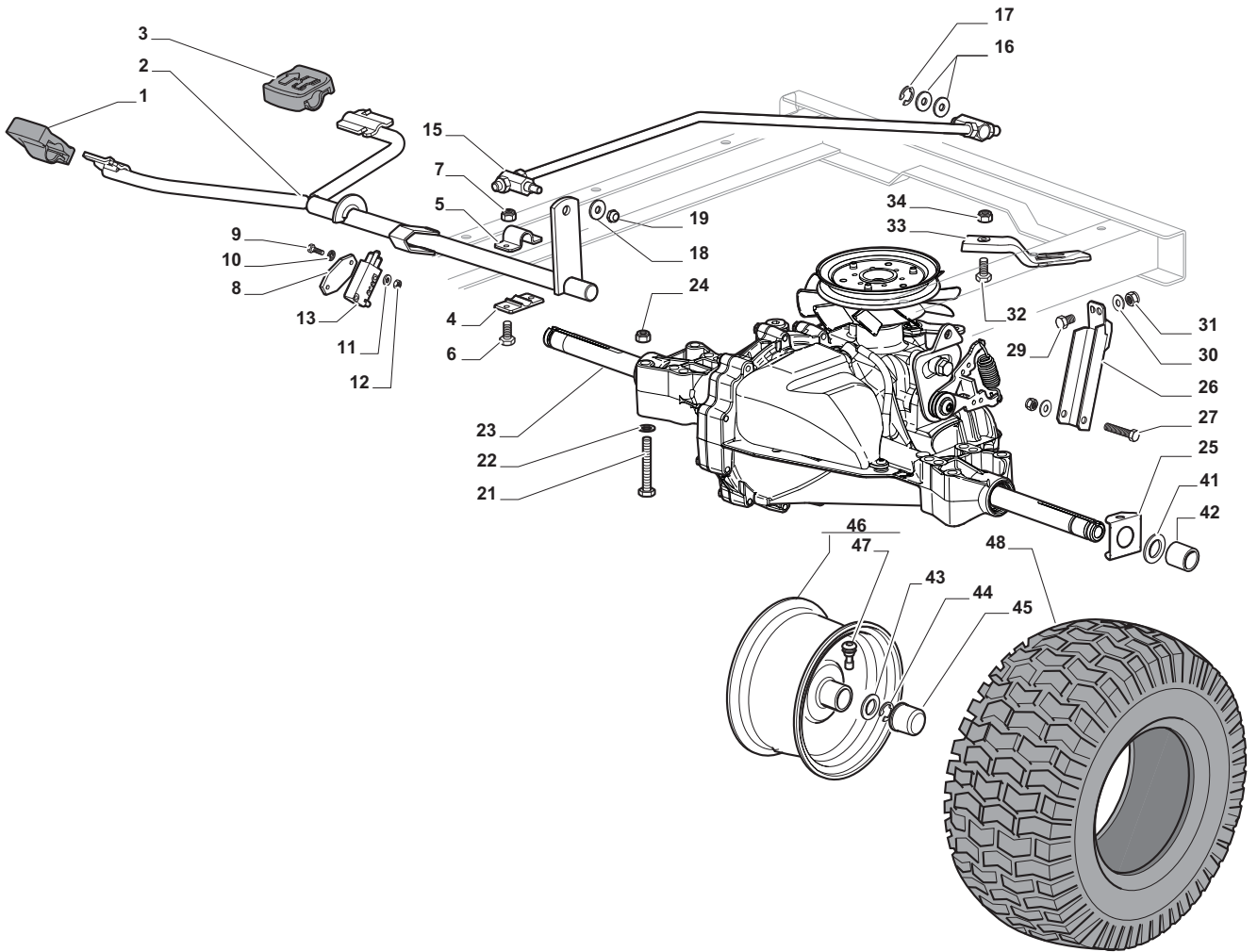


| Steering | | | | |
|----------|-------------|------|------------------------------------|-------|
| POSITION | CODE | Q.TY | DESCRIPTION | NOTES |
| 1 | 12692050/0 | 1 | Screw | |
| 2 | 12540260/0 | 1 | Washer | |
| 3 | 12523070/0 | 1 | Washer | |
| 4 | 125160047/0 | 1 | Spacer | |
| 5 | 325785318/0 | 1 | Support | |
| 6 | 325038008/0 | 1 | Bush | |
| 7 | 125520007/0 | 1 | Steering Column | |
| 8 | 112620300/0 | 1 | Pin | |
| 9 | 12622650/0 | 1 | Pin | |
| 10 | 125570003/0 | 1 | Pinion | |
| 11 | 27943051/0 | 2 | Screw | |
| 12 | 325785213/1 | 1 | Support | |
| 13 | 25743000/0 | 1 | Joint | |
| 14 | 12521370/0 | 1 | Washer | |
| 15 | 12436030/0 | 1 | Plate | |
| 20 | 22672151/0 | 1 | Washer | |
| 21 | 125510104/0 | 1 | Pin | |
| 22 | 125670023/0 | 1 | Washer | |
| 23 | 125510109/0 | 1 | Pin | |
| 24 | 325735519/0 | 1 | Steering Shaft | |
| 25 | 325547233/0 | 1 | Plate | |
| 26 | 12369500/0 | 1 | Elastic Washer | |
| 27 | 22160400/0 | 1 | Elastic Washer | |
| 28 | 12155010/0 | 2 | Nut | |
| 29 | 12154210/0 | 2 | Nut | |
| 31 | 382000566/1 | 1 | Steering Rod | |
| 32 | 12156602/0 | 2 | Nut | |
| 34 | 325318243/0 | 1 | Lever | |
| 35 | 12692390/0 | 1 | Screw | |
| 36 | 12521360/0 | 2 | Washer | |
| 37 | 12156602/0 | 1 | Nut | |
| 38 | 125510103/0 | 2 | Pin | |
| 39 | 325840029/0 | 1 | Tie Rod | |
| 40 | 325038007/0 | 2 | Bush | |
| 41 | 382230369/0 | 1 | Right Stub Axle 13 " | |
| 41 | 382230373/0 | 1 | Right Stub Axle 15" | |
| 42 | 382230371/0 | 1 | Left Stub Axle 13 " | |
| 42 | 382230375/0 | 1 | Left Stub Axle 15" | |
| 43 | 12155000/0 | 2 | Nut | |
| 45 | 382034030/0 | 1 | Equalizer With Bush And Lubricator | |
| 46 | 12379511/0 | 2 | Grease Dispenser | |
| 47 | 25034002/1 | 4 | Bush | |
| 48 | 12001010/0 | 1 | Snap Ring | |
| 51 | 12692695/0 | 1 | Screw | |
| 52 | 12523100/0 | 2 | Washer | |
| 53 | 25160016/0 | 1 | Spacer | |
| 54 | 12587100/0 | 1 | Grower | |
| 55 | 12295300/0 | 1 | Nut | |
| 61 | 25122200/2 | 4 | Bearing | |
| 62 | 182000598/0 | 2 | Rimm | |
| 63 | 25950000/0 | 2 | Valve | |
| 64 | 125590014/0 | 2 | Tire 13 " | |
| 64 | 127590066/0 | 2 | Tire 15" | |
| 66 | 25670005/1 | 2 | Washer | |
| 67 | 12001010/0 | 2 | Snap Ring | |
| 68 | 322110233/0 | 2 | Hub Cover | |
| 70 | 382180124/0 | 1 | Screws Outfit | |

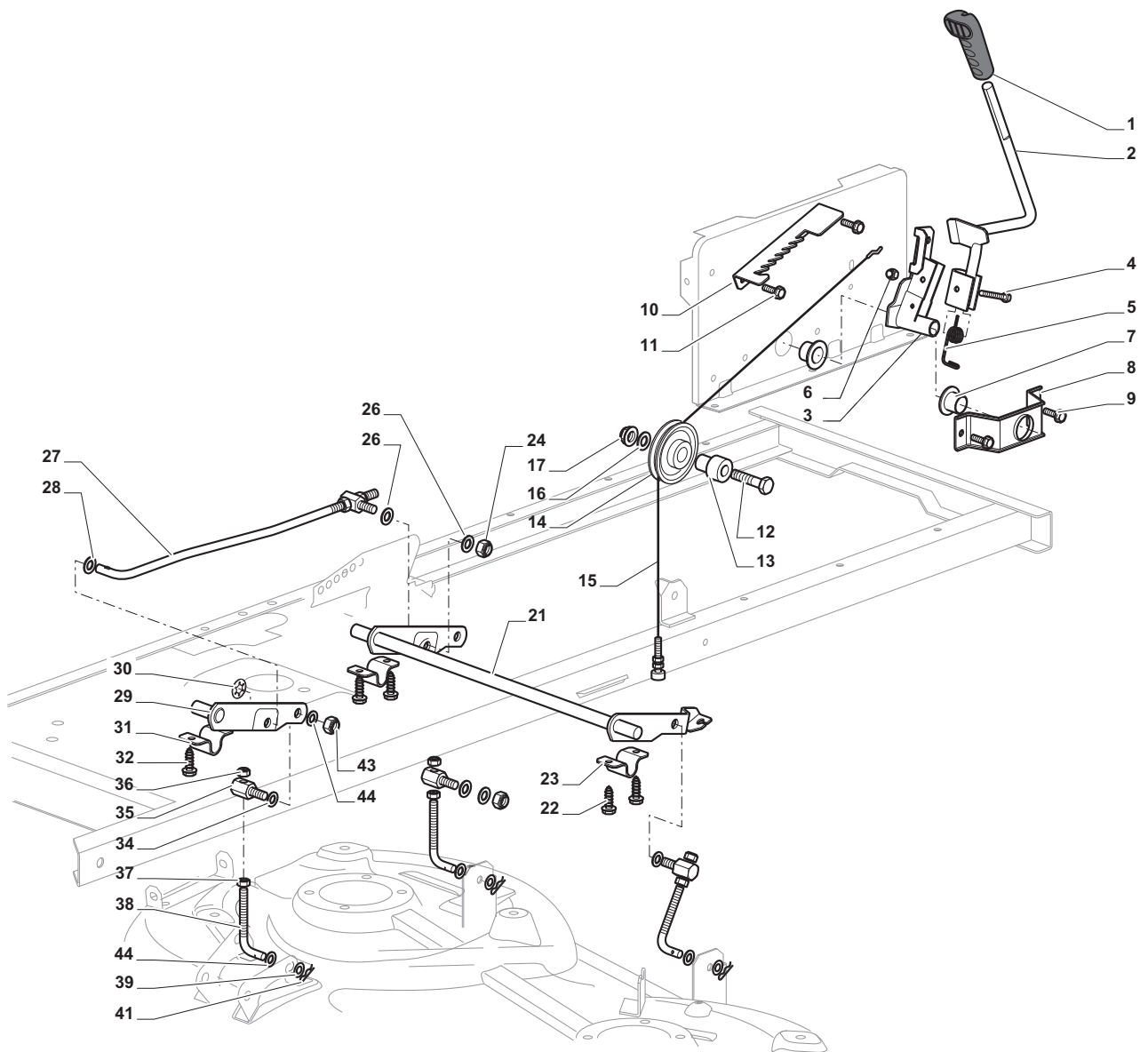


Brake And Gearbox Controls

| POSITION | CODE | Q.TY | DESCRIPTION | NOTES |
|----------|-------------|------|-------------|-------|
| 1 | 325110409/0 | 1 | Clamp Cover | |
| 2 | 382000575/0 | 1 | Pedal | |
| 3 | 12735599/0 | 4 | Screw | |
| 4 | 325547231/0 | 2 | Plate | |
| 5 | 382000576/0 | 1 | Rod | |
| 6 | 12521360/0 | 1 | Washer | |
| 7 | 12156602/0 | 1 | Nut | |
| 8 | 25670011/0 | 1 | Washer | |
| 9 | 12155000/0 | 2 | Nut | |
| 10 | 125510116/0 | 1 | Pin | |
| 11 | 25160021/0 | 1 | Spacer | |
| 12 | 125601577/0 | 1 | Pulley | |
| 20 | 135062003/0 | 1 | Belt | |
| 21 | 25601555/0 | 1 | Pulley | |
| 22 | 12691400/0 | 1 | Screw | |
| 23 | 125160051/0 | 1 | Spacer | |
| 24 | 12523060/0 | 1 | Washer | |
| 25 | 12155000/0 | 1 | Nut | |
| 26 | 12155000/0 | 1 | Nut | |
| 27 | 12523060/0 | 1 | Washer | |
| 28 | 25601554/0 | 1 | Pulley | |
| 29 | 382318245/0 | 1 | Lever | |
| 30 | 12691600/0 | 1 | Screw | |
| 31 | 25038002/1 | 2 | Bush | |
| 32 | 25160027/0 | 1 | Spacer | |
| 33 | 12155000/0 | 1 | Nut | |
| 34 | 125430262/0 | 1 | Spring | |
| 41 | 325394534/0 | 1 | Knob | |
| 42 | 125033083/0 | 1 | Rod | |
| 43 | 325253011/1 | 1 | Hook | |
| 44 | 22524970/2 | 1 | Pin | |
| 45 | 12155000/0 | 1 | Nut | |
| 46 | 25430213/0 | 1 | Spring | |
| 47 | 12523060/0 | 1 | Washer | |

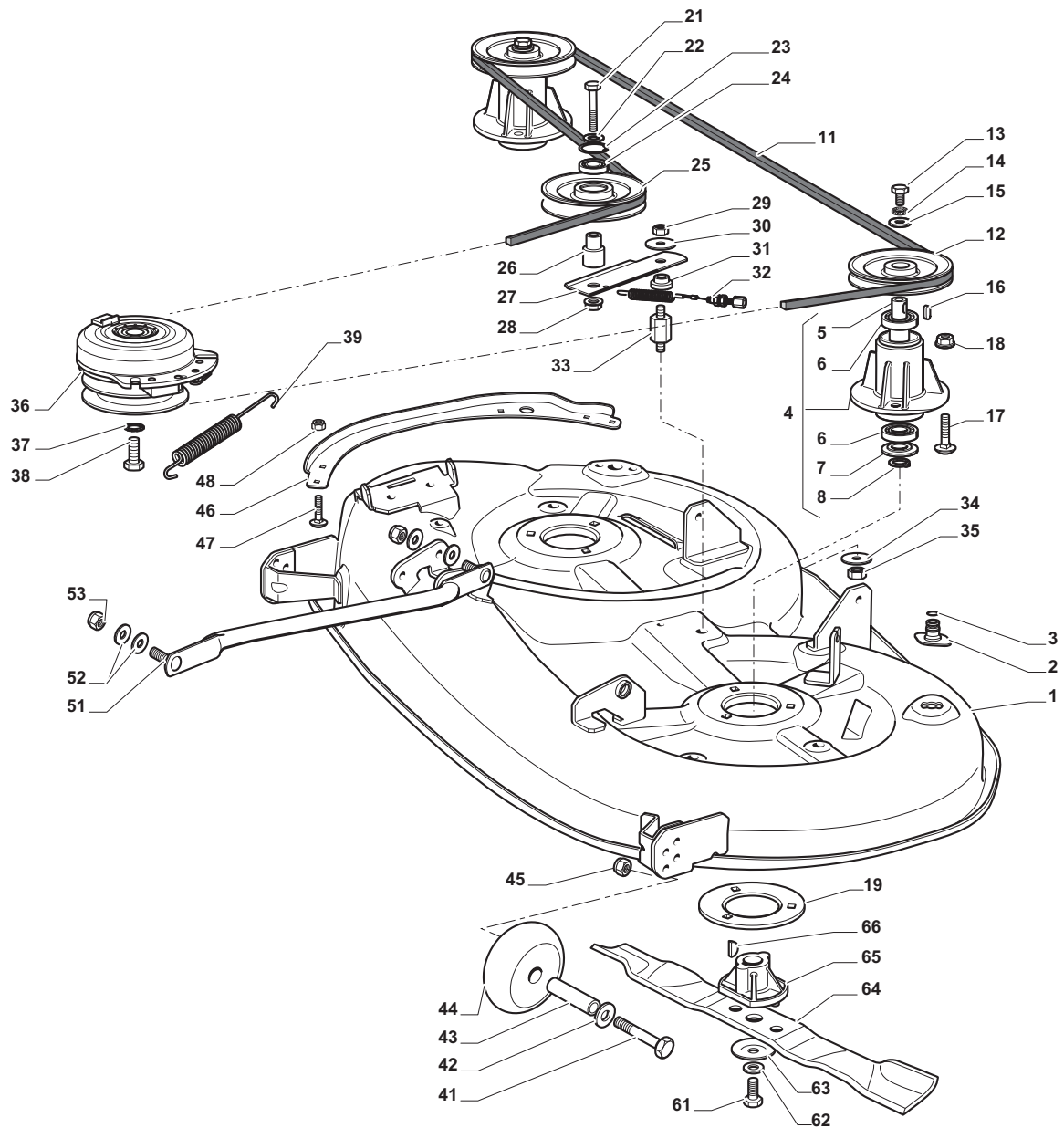


| Transmission | | | | |
|--------------|-------------|------|--|-------|
| POSITION | CODE | Q.TY | DESCRIPTION | NOTES |
| 1 | 25110274/0 | 1 | Clamp Cover Front | |
| 2 | 382000574/0 | 1 | Drive Pedal | |
| 3 | 25110331/0 | 1 | Clamp Cover Rear | |
| 4 | 325785350/0 | 2 | Support | |
| 5 | 325547231/0 | 2 | Plate | |
| 6 | 12791213/1 | 4 | Screw | |
| 7 | 12154510/0 | 4 | Nut | |
| 8 | 27546019/0 | 1 | Plate | |
| 9 | 12735602/0 | 2 | Screw | |
| 10 | 12540020/0 | 2 | Washer | |
| 11 | 12581100/0 | 2 | Grower | |
| 12 | 12290791/0 | 2 | Nut | |
| 13 | 19410609/0 | 1 | Microswitch | |
| 15 | 382000573/1 | 1 | Rod | |
| 16 | 25670011/0 | 2 | Washer | |
| 17 | 12000955/0 | 1 | Snap Ring | |
| 18 | 12523040/0 | 1 | Washer | |
| 19 | 12154510/0 | 1 | Nut | |
| 21 | 12691600/0 | 4 | Screw | |
| 22 | 12521350/0 | 4 | Washer | |
| 23 | 118400919/2 | 1 | Rear Axle (Hydro-Gear T2-ADBF-2X3C-17X1) | |
| 24 | 12155000/0 | 4 | Nut | |
| 25 | 325670026/0 | 2 | Washer | |
| 26 | 325785349/1 | 1 | Support | |
| 27 | 12691700/0 | 1 | Screw | |
| 29 | 12792611/0 | 1 | Screw | |
| 30 | 12523060/0 | 2 | Washer | |
| 31 | 12155000/0 | 2 | Nut | |
| 32 | 12791213/1 | 1 | Screw | |
| 33 | 325318251/0 | 1 | Lever | |
| 34 | 12154510/0 | 1 | Nut | |
| 41 | 25670005/1 | 2 | Washer | |
| 42 | 125160055/0 | 2 | Spacer | |
| 43 | 25670005/1 | 6 | Washer | |
| 44 | 12001010/0 | 2 | Snap Ring | |
| 45 | 322110233/0 | 2 | Hub Cover | |
| 46 | 382000597/0 | 2 | Rimm | |
| 47 | 25950000/0 | 2 | Valve | |
| 48 | 125590015/0 | 2 | Shoe | |



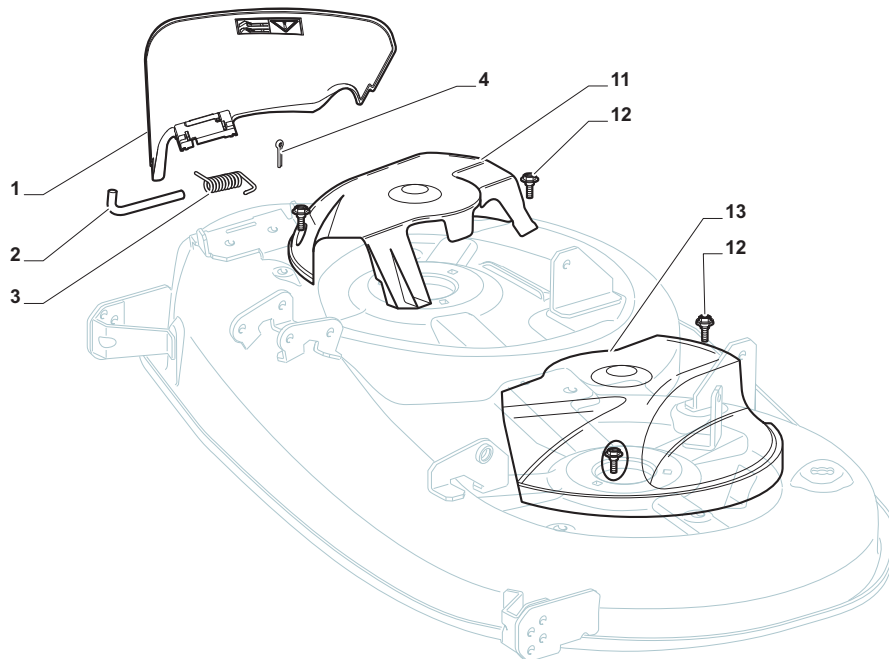
Cutting Plate Lifting

| POSITION | CODE | Q.TY | DESCRIPTION | NOTES |
|----------|-------------|------|----------------|-------|
| 1 | 325394533/0 | 1 | Knob | |
| 2 | 382318229/0 | 1 | Lever | |
| 3 | 382318231/0 | 1 | Axle | |
| 4 | 12674700/0 | 1 | Screw | |
| 5 | 125430261/0 | 1 | Spring | |
| 6 | 12154510/0 | 1 | Nut | |
| 7 | 325038006/0 | 2 | Bush | |
| 8 | 325785297/0 | 1 | Support | |
| 9 | 125943009/0 | 2 | Screw | |
| 10 | 325735515/0 | 1 | Steering Shaft | |
| 11 | 125943009/0 | 2 | Screw | |
| 12 | 12793701/0 | 1 | Screw | |
| 13 | 125040636/0 | 1 | Bush | |
| 14 | 125601579/0 | 1 | Pulley | |
| 15 | 382004620/0 | 1 | Wire | |
| 16 | 12523060/0 | 1 | Washer | |
| 17 | 12293201/0 | 1 | Nut | |
| 21 | 382318239/0 | 1 | Axle | |
| 22 | 12735599/0 | 4 | Screw | |
| 23 | 325547231/0 | 2 | Plate | |
| 24 | 12155000/0 | 1 | Nut | |
| 26 | 25670011/0 | 2 | Washer | |
| 27 | 382000569/1 | 1 | Connecting Rod | |
| 28 | 12521350/0 | 1 | Washer | |
| 29 | 382318237/0 | 1 | Axle | |
| 30 | 12604899/0 | 1 | Crown Fastener | |
| 31 | 325547231/0 | 1 | Plate | |
| 32 | 12735599/0 | 2 | Screw | |
| 34 | 25670008/1 | 3 | Washer | |
| 35 | 125510107/1 | 3 | Pin | |
| 36 | 12156602/0 | 3 | Nut | |
| 37 | 12295200/0 | 3 | Nut | |
| 38 | 25840012/0 | 3 | Tie Rod | |
| 39 | 12523060/0 | 3 | Washer | |
| 41 | 24487998/0 | 3 | Cotter Pin | |
| 43 | 12156602/0 | 3 | Nut | |
| 44 | 25670008/1 | 6 | Washer | |

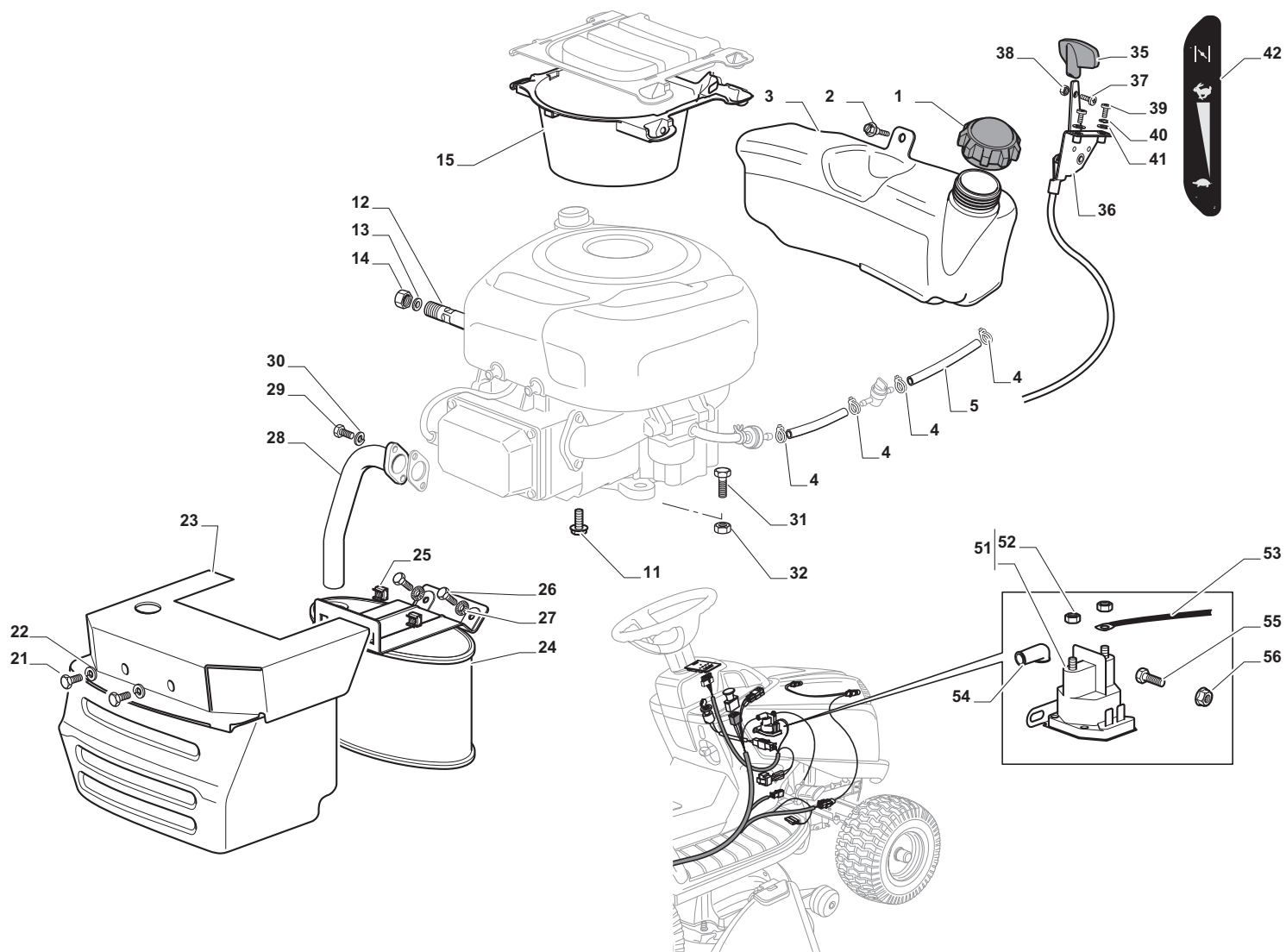


Cutting Plate

| POSITION | CODE | Q.TY | DESCRIPTION | NOTES |
|----------|-------------|------|------------------------|-------|
| 1 | 382565069/0 | 1 | Plate | |
| 2 | 325033086/0 | 2 | Water Hose Connection | |
| 3 | 19035000/0 | 2 | O Ring | |
| 4 | 382207204/0 | 2 | Flange Ass.Y | |
| 5 | 125020804/0 | 2 | Shaft | |
| 6 | 119216047/0 | 4 | Bearing | |
| 7 | 25160501/0 | 2 | Dust Cover | |
| 8 | 12609260/0 | 2 | Seeger | |
| 11 | 135061506/0 | 1 | Belt | |
| 12 | 25601571/0 | 2 | Pulley | |
| 13 | 12793102/0 | 2 | Screw | |
| 14 | 12540260/0 | 2 | Washer | |
| 15 | 25670007/0 | 2 | Washer | |
| 16 | 12139480/0 | 2 | Key | |
| 17 | 12818700/0 | 6 | Screw | |
| 18 | 12154210/0 | 6 | Nut | |
| 19 | 325160505/0 | 2 | Plate | |
| 21 | 12691800/0 | 1 | Screw | |
| 22 | 12524010/0 | 1 | Washer | |
| 23 | 12610800/0 | 1 | Snap Ring | |
| 24 | 119216048/0 | 1 | Bearing | |
| 25 | 125601586/0 | 1 | Pulley | |
| 26 | 125160056/0 | 1 | Spacer | |
| 27 | 325318255/0 | 1 | Lever | |
| 28 | 12293201/0 | 1 | Nut | |
| 29 | 12155020/0 | 1 | Nut | |
| 30 | 125670022/0 | 1 | Washer | |
| 31 | 125040635/0 | 1 | Bush | |
| 32 | 382004619/0 | 1 | Wire | |
| 33 | 125160057/0 | 1 | Spacer | |
| 34 | 12523080/0 | 1 | Washer | |
| 35 | 12156602/0 | 1 | Nut | |
| 36 | 118399062/0 | 1 | Clutc | |
| 37 | 12543000/0 | 1 | Washer | |
| 38 | 12737320/0 | 1 | Screw | |
| 39 | 125430277/0 | 1 | Spring | |
| 41 | 12692050/0 | 2 | Screw | |
| 42 | 12523060/0 | 2 | Washer | |
| 43 | 25510072/0 | 2 | Spacer | |
| 44 | 82700001/0 | 2 | Anti Scalp Wheel Ø 100 | |
| 45 | 12293201/0 | 2 | Nut | |
| 46 | 325547259/0 | 1 | Stiffening | |
| 47 | 12815200/0 | 5 | Screw | |
| 48 | 12154510/0 | 5 | Nut | |
| 51 | 382000565/0 | 2 | Equalizer Rod | |
| 52 | 25670008/1 | 8 | Washer | |
| 53 | 12156602/0 | 4 | Nut | |
| 61 | 12735694/0 | 2 | Screw | |
| 62 | 12523080/0 | 2 | Washer | |
| 63 | 22160400/0 | 2 | Elastic Washer | |
| 64 | 182004357/0 | 2 | Right Blade Mulching | |
| 65 | 25463200/0 | 2 | Blade Hub | |
| 66 | 12139100/0 | 2 | Feather | |

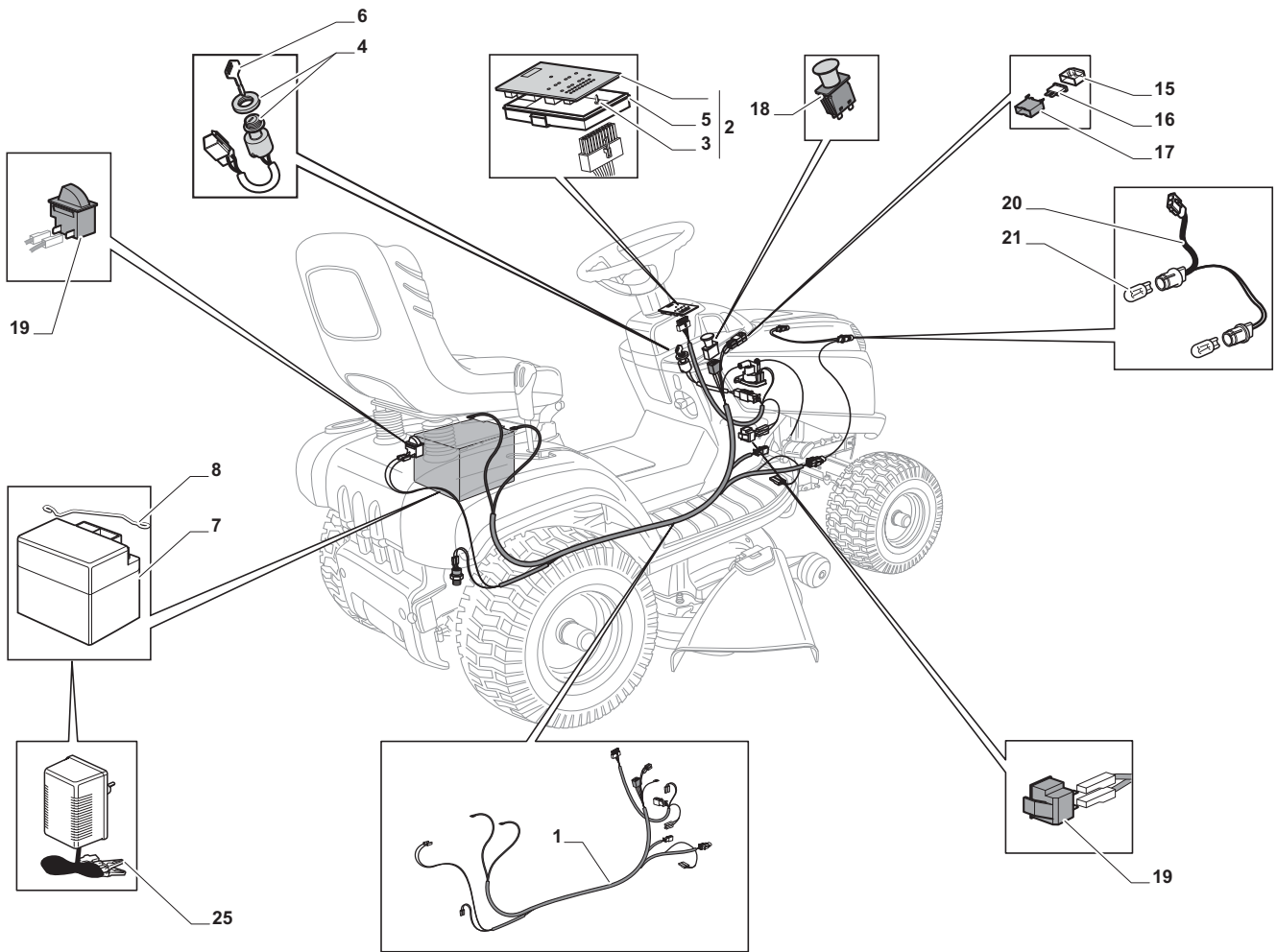


| Guards | | | | |
|----------|-------------|------|-----------------|-------|
| POSITION | CODE | Q.TY | DESCRIPTION | NOTES |
| 1 | 325600087/0 | 1 | Exit Protection | |
| 2 | 25510073/0 | 1 | Pin | |
| 3 | 125430242/1 | 1 | Spring | |
| 4 | 12141418/0 | 1 | Cotter Pin | |
| 11 | 325600088/0 | 1 | Case | |
| 12 | 125943006/0 | 4 | Screw | |
| 13 | 325600089/0 | 1 | Case | |

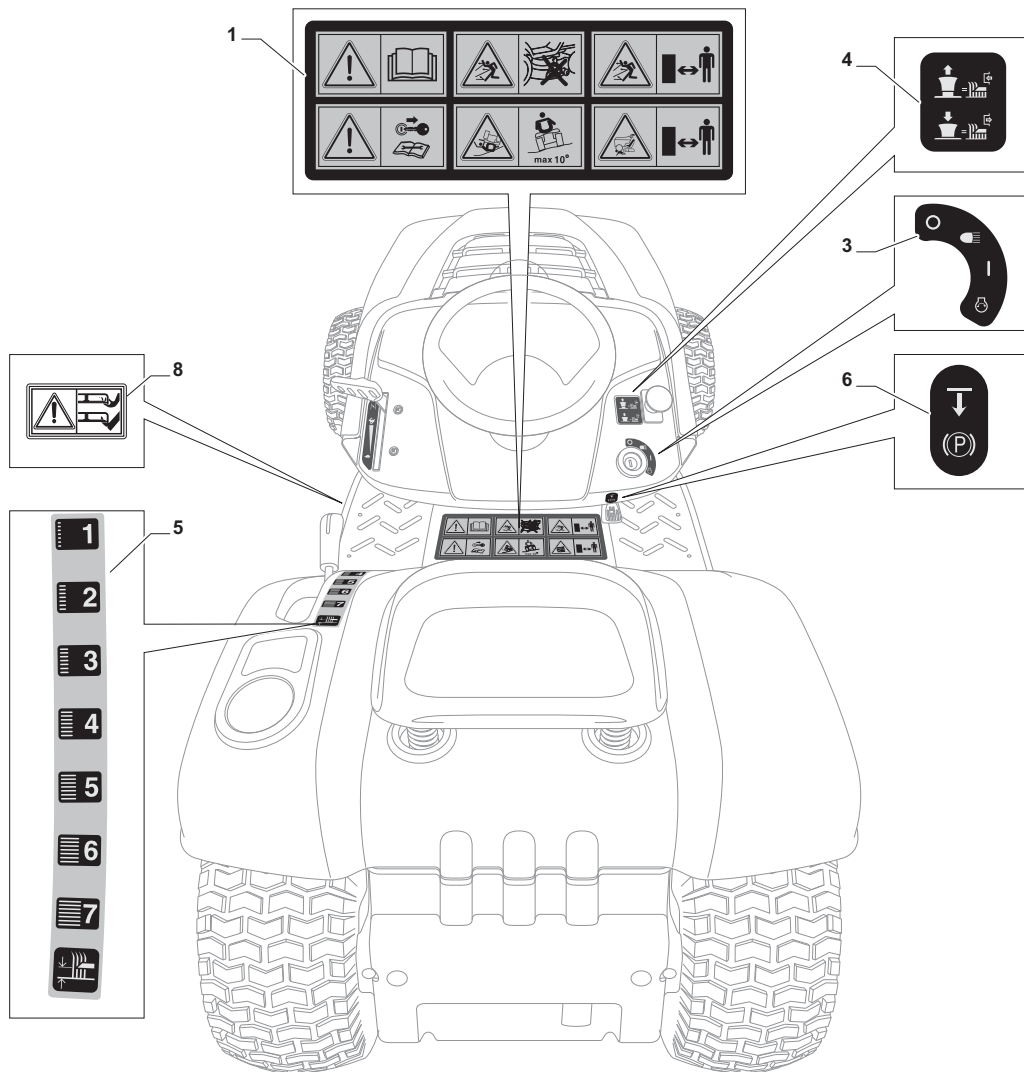


Engine - B&S 12.5 HP

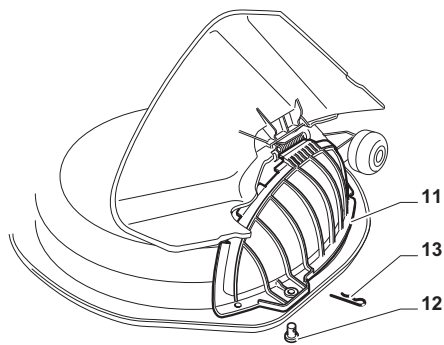
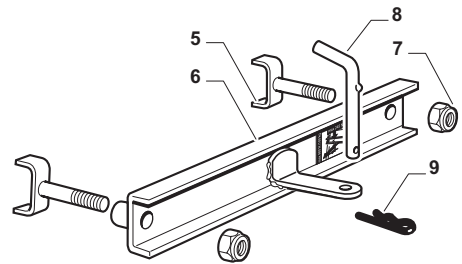
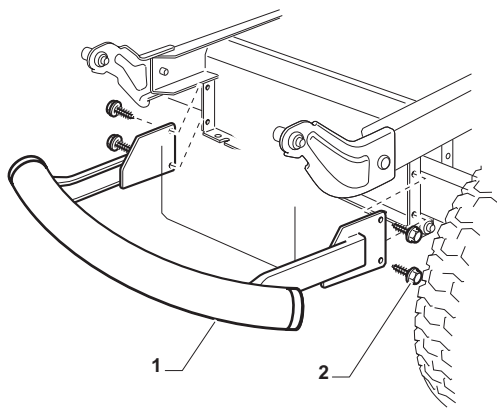
| POSITION | CODE | Q.TY | DESCRIPTION | NOTES |
|----------|-------------|------|---------------------------|-------|
| 1 | 25795001/1 | 1 | Cap | |
| 2 | 125943010/0 | 4 | Screw | |
| 3 | 325735126/0 | 1 | Tank | |
| 4 | 18375051/1 | 4 | Fair Led | |
| 5 | 25869057/0 | 1 | Connecting Tube (1000 Mm) | |
| 11 | 112735108/1 | 3 | Screw | |
| 12 | 25598050/0 | 1 | Oil Discharge Extension | |
| 13 | 18401001/1 | 1 | Oil Seal | |
| 14 | 18737849/0 | 1 | Oil Cap | |
| 15 | 325108044/1 | 1 | Conveyor | |
| 21 | 12792611/0 | 2 | Screw | |
| 22 | 12540260/0 | 2 | Washer | |
| 23 | 382598047/0 | 1 | Muffler Protection | |
| 24 | 182750010/0 | 1 | Muffler | |
| 25 | 12360425/0 | 2 | Nut (Mech.) | |
| 26 | 12792611/0 | 2 | Screw | |
| 27 | 12540260/0 | 2 | Washer | |
| 28 | 18738224/0 | 1 | Exhaust Tube | |
| 29 | 12737450/0 | 2 | Screw | |
| 30 | 12540260/0 | 2 | Washer | |
| 31 | 12691115/0 | 1 | Screw | |
| 32 | 12154210/0 | 1 | Nut | |
| 35 | 325394531/0 | 1 | Knob | |
| 36 | 182000216/0 | 1 | Accelerator | |
| 37 | 112726389/0 | 1 | Screw | |
| 38 | 12290800/0 | 1 | Nut | |
| 39 | 112726389/0 | 2 | Screw | |
| 40 | 12540020/0 | 2 | Washer | |
| 41 | 12521310/0 | 2 | Washer | |
| 42 | 114363697/0 | 1 | Label | |
| 51 | 18736111/0 | 1 | Starter Relay | |
| 52 | 12360352/0 | 2 | Nut | |
| 53 | 25065002/0 | 1 | Cable | |
| 54 | 18564864/1 | 1 | Protection | |
| 55 | 12790781/0 | 1 | Screw | |
| 56 | 12154510/0 | 2 | Nut | |



| Electrical Parts | | | | |
|------------------|-------------|------|-------------------------------|-------|
| POSITION | CODE | Q.TY | DESCRIPTION | NOTES |
| 1 | 182040158/0 | 1 | Cables Ass.Y | |
| 1 | 182040157/0 | 1 | Cables Ass.Y (Honda) | |
| 2 | 125722433/0 | 1 | Electronic Card (GGP) | |
| 2 | 382722429/0 | 1 | Electronic Card (B&S - Honda) | |
| 3 | 12735101/0 | 1 | Screw | |
| 4 | 118450075/0 | 1 | Starting Switch | |
| 5 | 325600080/0 | 1 | Card Protection | |
| 6 | 118210023/0 | 1 | Starting Key | |
| 7 | 18120002/1 | 1 | Battery | |
| 8 | 125430265/0 | 1 | Spring | |
| 15 | 33215000/0 | 2 | Cover | |
| 16 | 33340040/0 | 1 | Fuse 10A | |
| 16 | 33340036/0 | 1 | Fuse 25 A | |
| 17 | 33500007/0 | 2 | Fuse Carrier | |
| 18 | 118450074/0 | 1 | Clutch Switch | |
| 19 | 119410613/0 | 2 | Micro | |
| 20 | 82040073/0 | 1 | Cable | |
| 21 | 18459100/0 | 2 | Farilamp For Lights | |
| 25 | 182180090/0 | 1 | Battery Charger | |
| 25 | 182180091/0 | 1 | Battery Charger (U.K.) | |

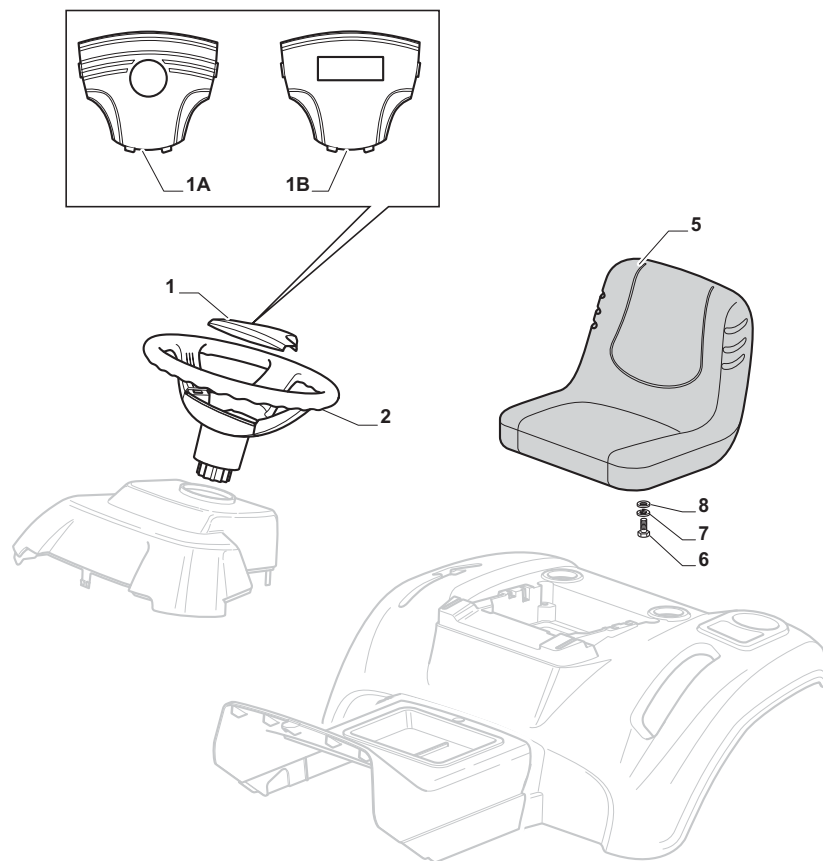


| Labels | | | | |
|----------|-------------|------|-------------|-------|
| POSITION | CODE | Q.TY | DESCRIPTION | NOTES |
| 1 | 114362365/1 | 1 | Label | |
| 3 | 114363699/0 | 1 | Label | |
| 4 | 14361438/0 | 1 | Label | |
| 5 | 114363701/0 | 1 | Label | |
| 6 | 114363700/0 | 1 | Label | |
| 8 | 114356699/1 | 1 | Label | |



Optionals On Request

| POSITION | CODE | Q.TY | DESCRIPTION | NOTES |
|-----------------|-------------|-------------|--------------------|--------------|
| 1 | 382869038/0 | 1 | Muffler Protection | |
| 2 | 125943008/0 | 4 | Screw | |
| 5 | 382650211/0 | 2 | Stiffening | |
| 6 | 382033111/0 | 1 | Rod | |
| 7 | 12155000/0 | 2 | Nut | |
| 8 | 25510021/1 | 1 | Pin | |
| 9 | 24487999/0 | 1 | Cotter Pin | |
| 11 | 325140101/0 | 1 | Deflector | |
| 12 | 125510111/0 | 1 | Pin | |
| 13 | 24487998/0 | 1 | Cotter Pin | |



| Seat & Steering Wheel | | | | |
|-----------------------|-------------|------|----------------|-------|
| POSITION | CODE | Q.TY | DESCRIPTION | NOTES |
| 1A | 325580503/0 | 1 | Steering Plate | |
| 1B | 325580504/0 | 1 | Steering Plate | |
| 2 | 325961219/0 | 1 | Steering Wheel | |
| 5 | 25722463/0 | 1 | Seat | |
| 6 | 12792611/0 | 4 | Screw | |
| 7 | 12540260/0 | 4 | Washer | |
| 8 | 12523060/0 | 4 | Washer | |