

# Genuine Spare Parts

[www.stiga.com](http://www.stiga.com)

## TURBO POWER 55 SB

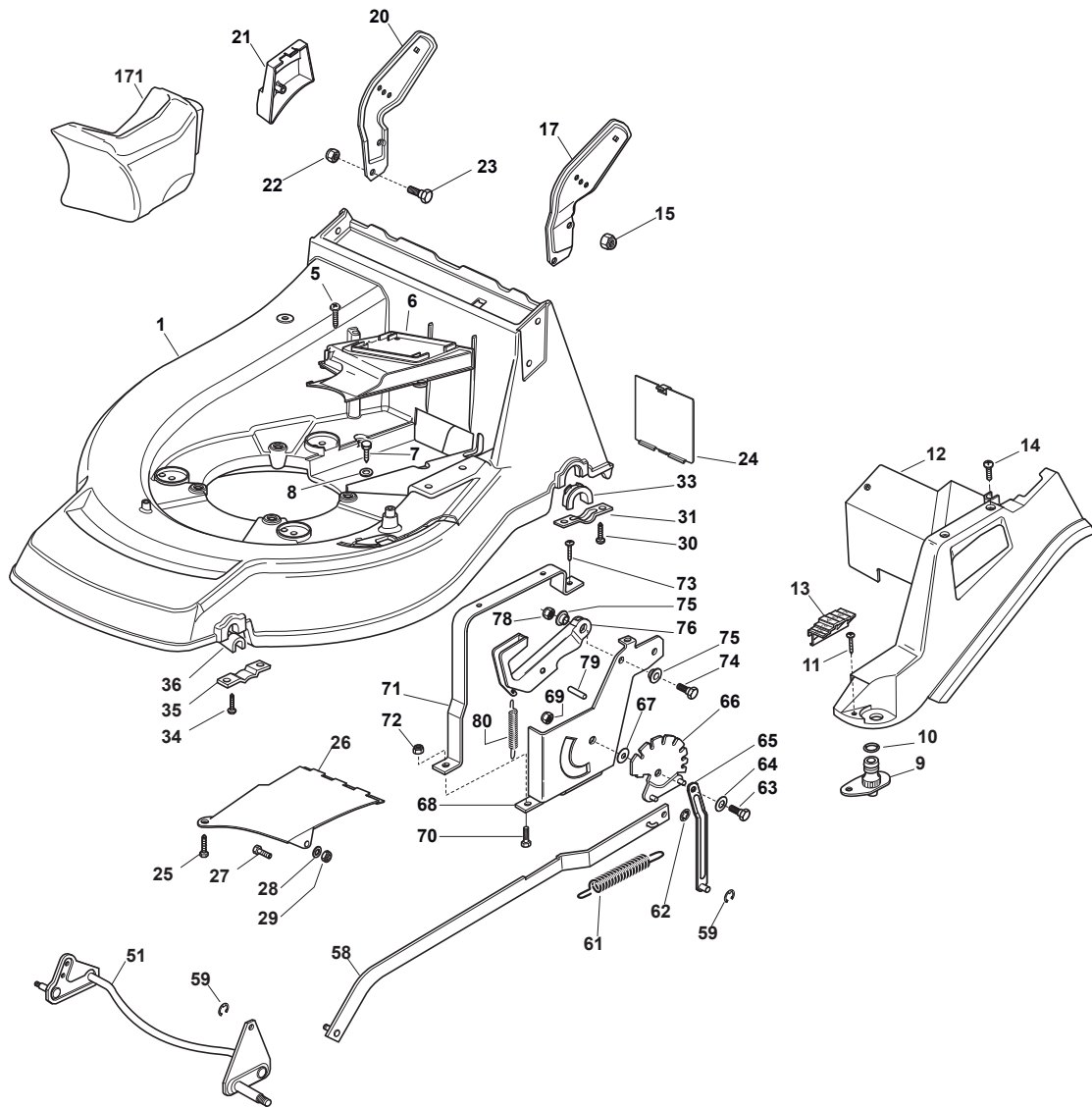
- Use GLOBAL GARDEN PRODUCT Genuine Spare Parts specified in the parts list for repair and/or replacement.
- The contents described in the parts list may change due to improvement.
- The drawings of the spare parts are only indicative and might not represent the part in question exactly.
- The indications "right" - "left" - "front" - "rear" refer to the position of the operator when using the machine.
- When placing orders of parts for repair and/or replacement, make sure that the illustrated parts list is the one applying to the machine's year of manufacture, as shown on the identification plate attached to the machine.

© Copyright 2013 Global Garden Products

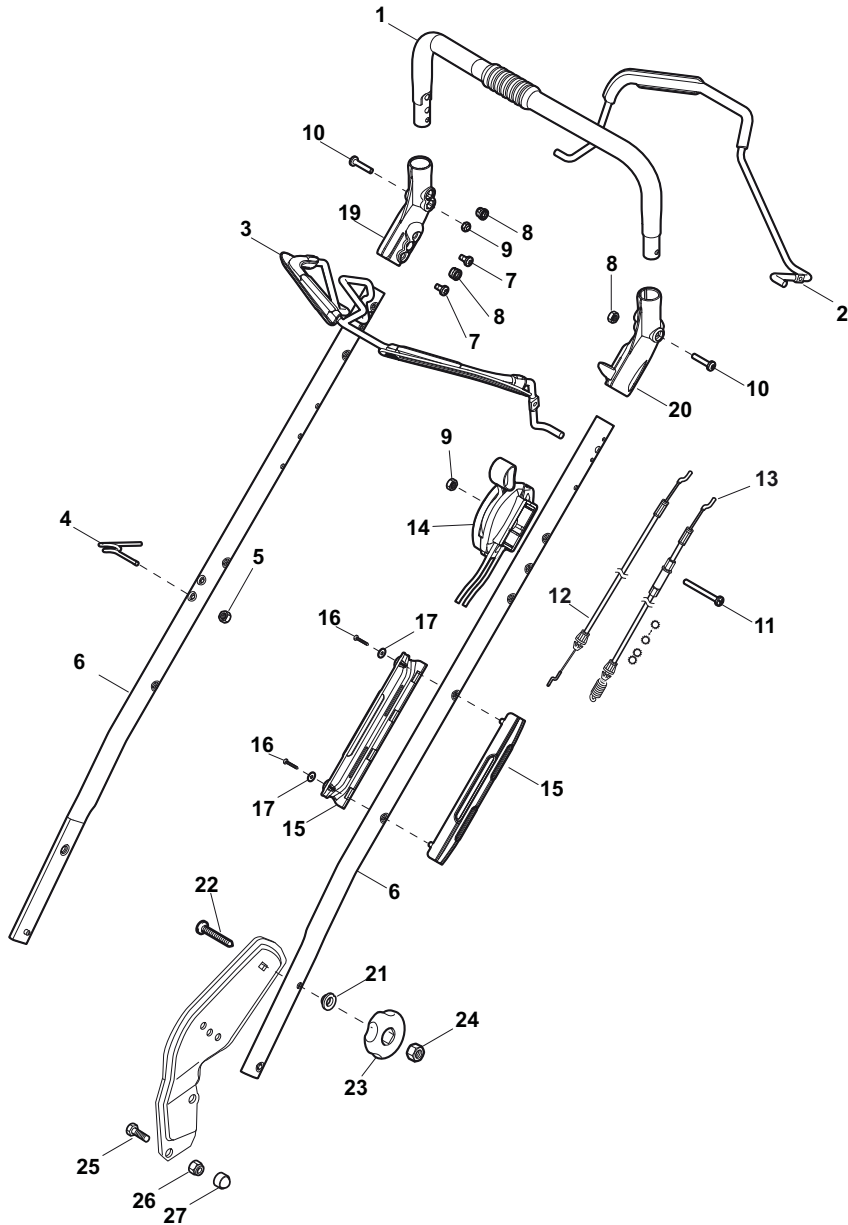
All content is subject to copyright by Global Garden Products and may not be reproduced in whole or in part by any means, electronic or otherwise, without prior written approval.

THIS INFORMATION IS NOT INTENDED FOR SALE OR RESALE, AND THIS NOTICE MUST REMAIN ON ALL COPIES.

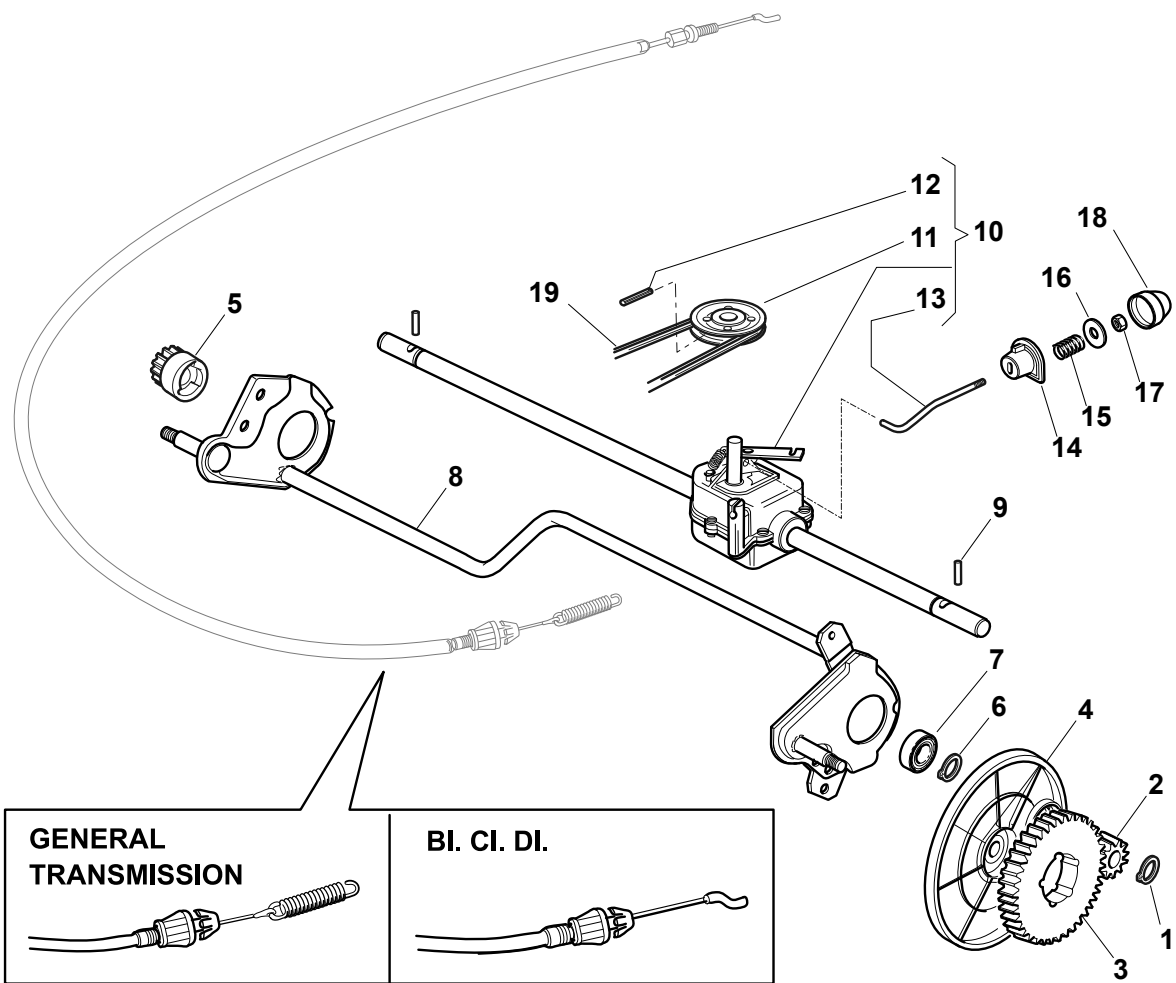




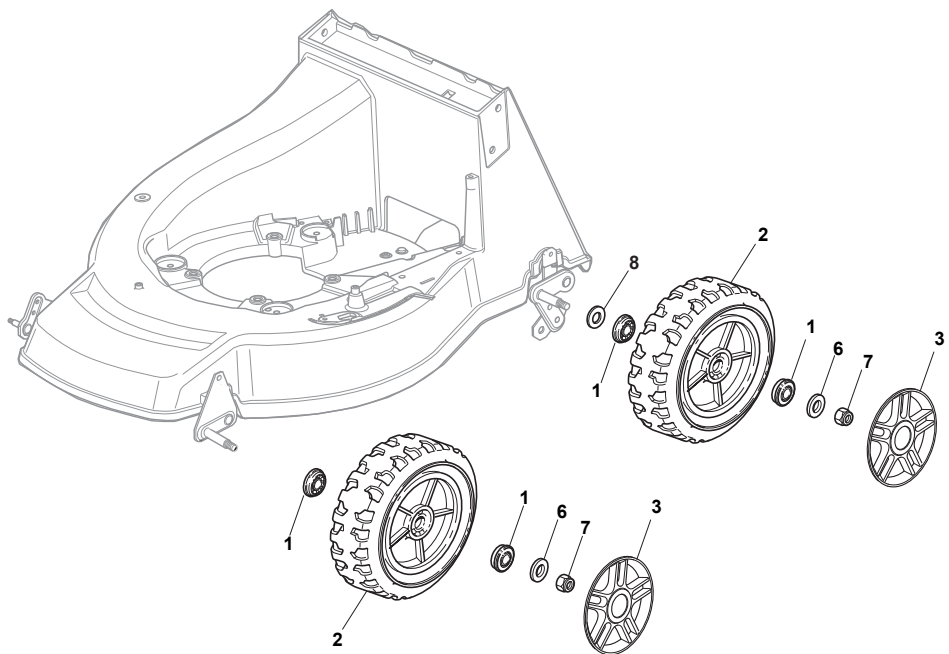
POSITION	PART No.	Q.Ty	DESCRIPTION	NOTES
1	381003543/1	1	Deck Red	
5	112728522/0	2	Screw	
6	322060200/1	1	Protection, Belt	
7	112731350/0	1	Screw	
8	112523040/0	2	Washer	
9	122034000/0	1	Washing Connection	
10	119035000/0	1	Or Ring	
11	112728519/0	3	Screw	
12	322060144/3	1	Deck, Adjustment	
13	122570200/0	1	Plate, Cutting Positions	
14	112728520/0	1	Screw	
15	112155000/0	2	Nut	
17	322778397/1	1	Bracket, L	
20	322778396/1	1	Bracket, R	
21	122601001/0	1	Protection	
22	112155000/0	2	Nut	
23	112793301/0	2	Screw	
24	122595352/0	1	Inspection Door	
25	112731350/0	1	Screw	
26	322108205/0	1	Conveyor	
27	112789000/0	1	Screw	
28	112523020/0	1	Washer	
29	112154330/0	1	Nut	
30	112731350/0	4	Screw	
31	322545147/0	2	Plate	
33	322038407/0	2	Brass	
34	112731350/0	4	Screw	
35	322545156/0	2	Plate	
36	122038400/1	2	Brass	
51	381302865/0	1	Axle, Front Wheels	
58	381002040/0	1	Rod, Height Adjustment	
59	112000930/0	2	Snap Ring	
61	122446187/0	1	Spring	
62	112604899/0	2	Crown Fastener	
63	122529662/0	1	Fulcrum Pin	
64	322672151/0	1	Washer	
65	381001269/0	1	Rod, Rear Wheels Axle	
66	381000479/2	1	Sector, Height Adjustment	
67	322672152/0	1	Washer	
68	322785109/0	1	Support, Height Adjustment	
69	112155000/0	1	Nut	
70	112793301/0	2	Screw	
71	322785113/0	1	Support, Handle	
72	112293201/0	2	Nut	
73	112729600/0	1	Screw	
74	112793301/0	1	Screw	
75	125038002/1	2	Bush	
76	322393611/2	1	Handle	
78	112293201/0	1	Nut	
79	112622640/0	1	Pin	
80	122446175/0	1	Spring	
171	322140224/0	1	Cap	



POSITION	PART No.	Q.Ty	DESCRIPTION	NOTES
1	381006670/2	1	Handgrip	
2	381003349/0	1	Lever, Driving	
3	381003344/0	1	Lever, Engine Brake	
4	122430309/0	1	Spring	
5	112154330/0	1	Nut	
6	381007046/0	2	Handle Black, R	
7	112735662/1	4	Screw	
8	322041967/0	4	Bush	
9	112154510/0	3	Nut	
10	112728721/0	2	Screw	
11	112727786/0	1	Screw	
12	181030077/0	1	Cable, Thread Engine Brake	
13	381030078/0	1	Cable, Rear Drive	
14	181007145/0	1	Throttle Cable	
15	322806644/0	2	Protection	
16	112727812/0	2	Screw	
17	112523000/1	2	Washer	
19	322488301/0	1	Support , R	
20	322488303/0	1	Support, L	
21	122671651/0	2	Washer	
22	112819105/0	2	Screw	
23	322399804/1	2	Knob	
24	112293200/0	2	Nut	
25	112793301/0	2	Screw	
26	112155000/0	2	Nut	
27	118203854/0	2	Protection	

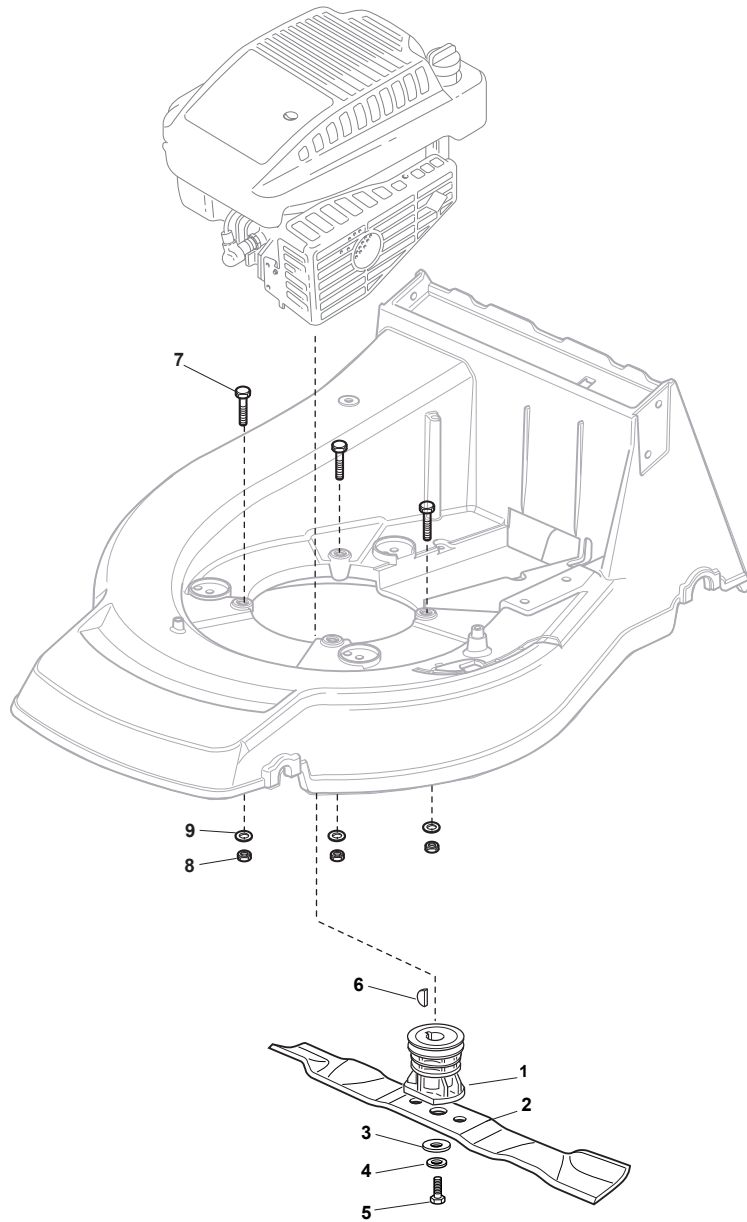


POSITION	PART No.	Q.Ty	DESCRIPTION	NOTES
1	112608600/0	2	Seeger	
2	122570120/1	1	Pinion L	
3	122120105/1	2	Ring Gear	
4	322600268/0	2	Protection, Wheel	
5	122570110/1	1	Pinion R	
6	112608600/0	2	Seeger	
7	119216035/0	2	Bearing	
8	381302867/0	1	Axle, Rear Wheels	
9	122753000/0	2	Pin	
10	181003079/1	1	Gear Box	GT
10	181003082/1	1	Gear Box	Bi. Ci. Di.
11	122601909/0	1	Pulley	
12	112645705/0	1	Pin	
13	122033281/0	1	Adjustment Rod	
14	122041957/1	1	Bush	
15	122450063/0	1	Spring	
16	322680009/0	1	Washer	
17	112154510/0	1	Nut	
18	122110230/0	1	Cap	
19	135064195/0	1	Belt	

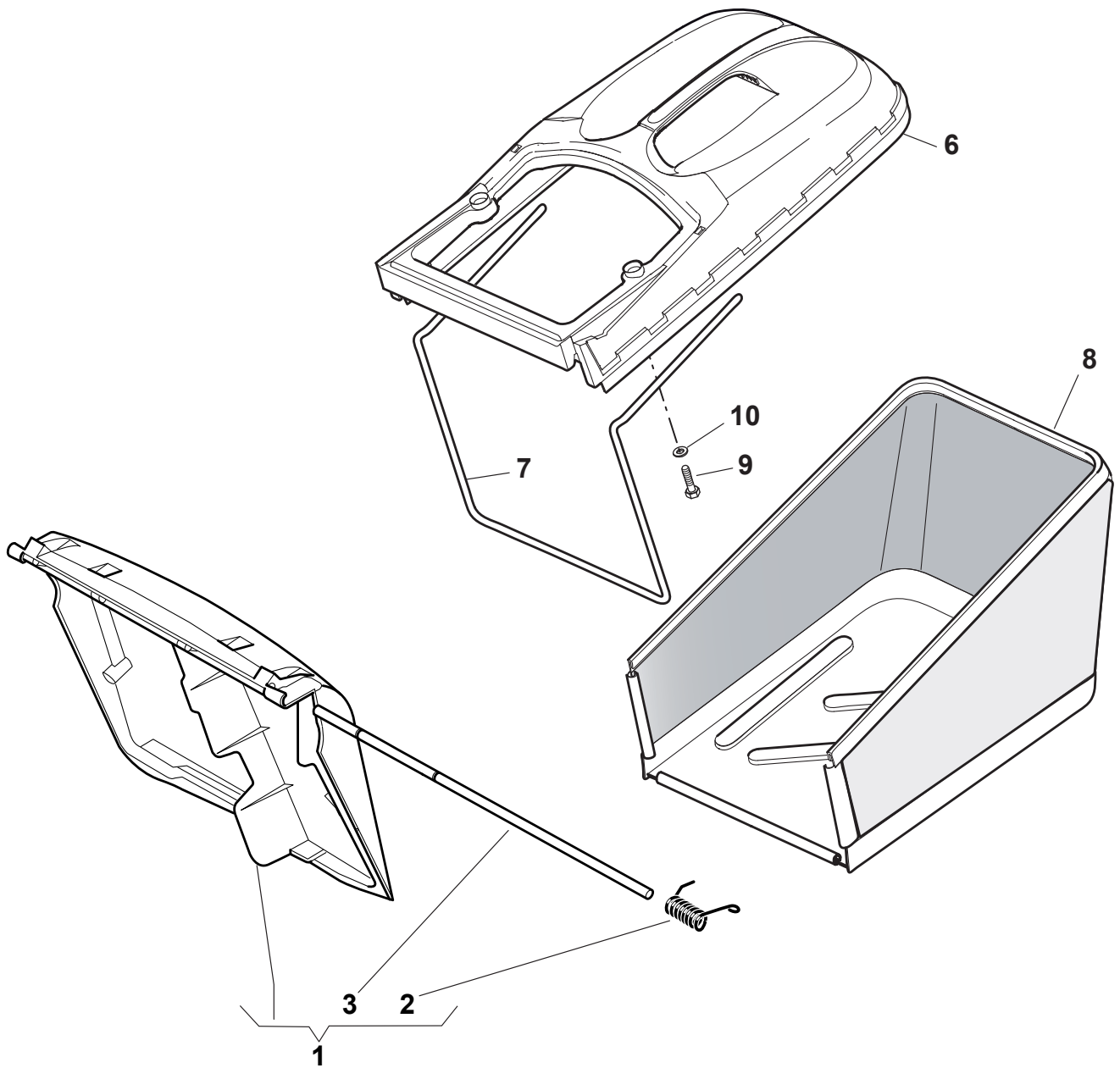




POSITION	PART No.	Q.Ty	DESCRIPTION	NOTES
1	122122200/0	8	Bearing	
2	381007490/0	4	Wheel Ø 210	
3	322110492/0	4	Hub Cap Grey	
6	112521350/0	8	Washer	
7	112155000/0	8	Nut	
8	112521350/0	2	Washer	



POSITION	PART No.	Q.Ty	DESCRIPTION	NOTES
1	122465607/3	1	Hub With Pulley, Crankshaft Ø 22.2	
2	181004381/1	1	Blade Standard	
3	122160400/0	1	Elastic Washer	
4	112523080/0	1	Washer	
5	112735698/0	1	Screw	
6	112139100/0	1	Feather, Crankshaft Ø 22.2	
7	112691800/0	2	Screw	
7	112692080/0	1	Screw	
8	112155000/0	3	Nut	
9	112521350/0	3	Washer	



POSITION	PART No.	Q.Ty	DESCRIPTION	NOTES
1	381008050/0	1	Stone-Guard Black	
2	122451000/0	1	Spring	
3	122517856/1	1	Pin	
6	322486102/0	1	Grass-Box, Upper	
7	122608526/0	1	Stiffening Lower	
8	181002212/0	1	Box, Fabric	
9	112728680/0	2	Screw	
10	112523050/0	2	Washer	