

Genuine Spare Parts

www.stiga.com

MULTICLIP PRO 50 S4 INOX SVAN

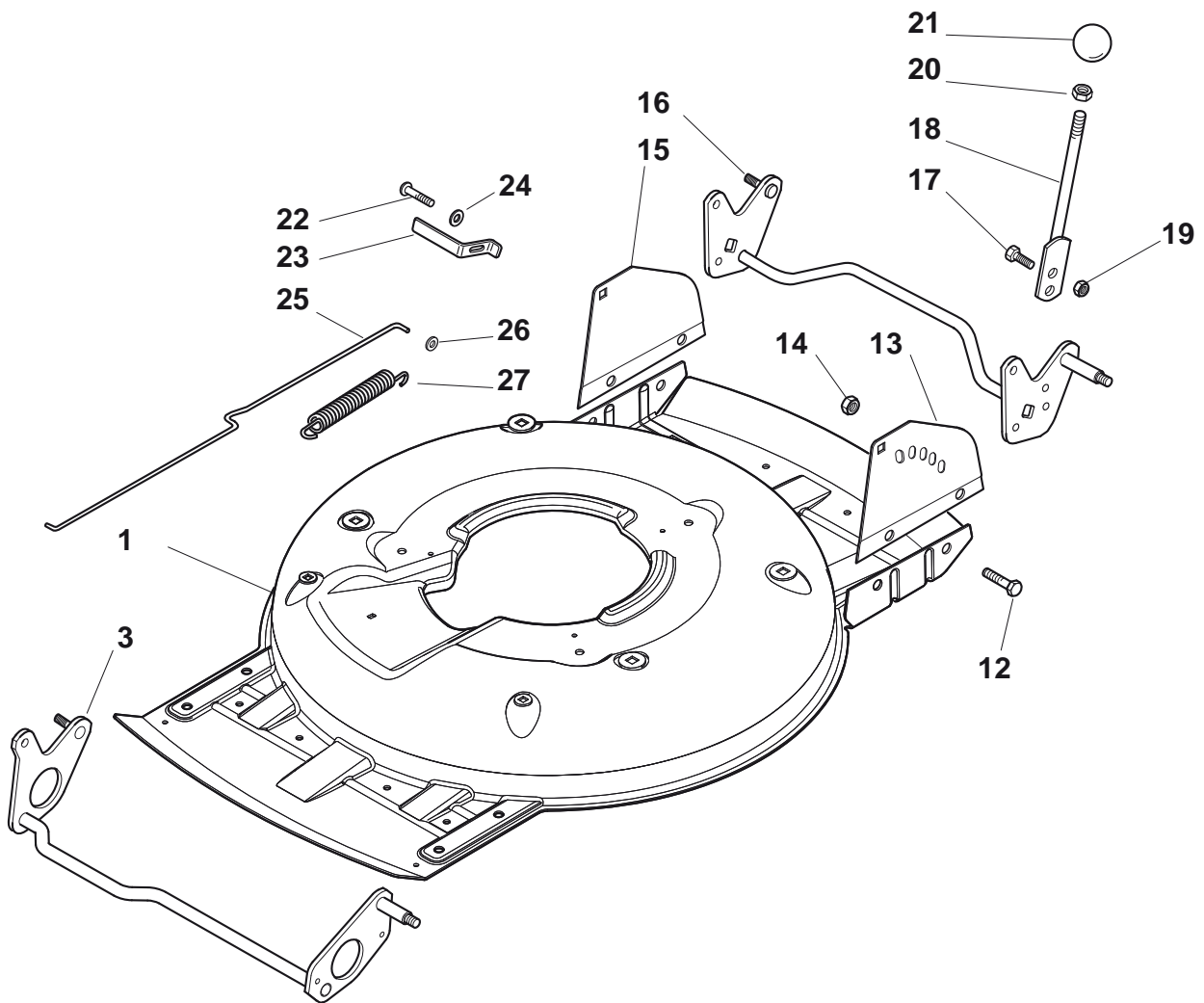
- Use GLOBAL GARDEN PRODUCT Genuine Spare Parts specified in the parts list for repair and/or replacement.
- The contents described in the parts list may change due to improvement.
- The drawings of the spare parts are only indicative and might not represent the part in question exactly.
- The indications "right" - "left" - "front" - "rear" refer to the position of the operator when using the machine.
- When placing orders of parts for repair and/or replacement, make sure that the illustrated parts list is the one applying to the machine's year of manufacture, as shown on the identification plate attached to the machine.

© Copyright 2013 Global Garden Products

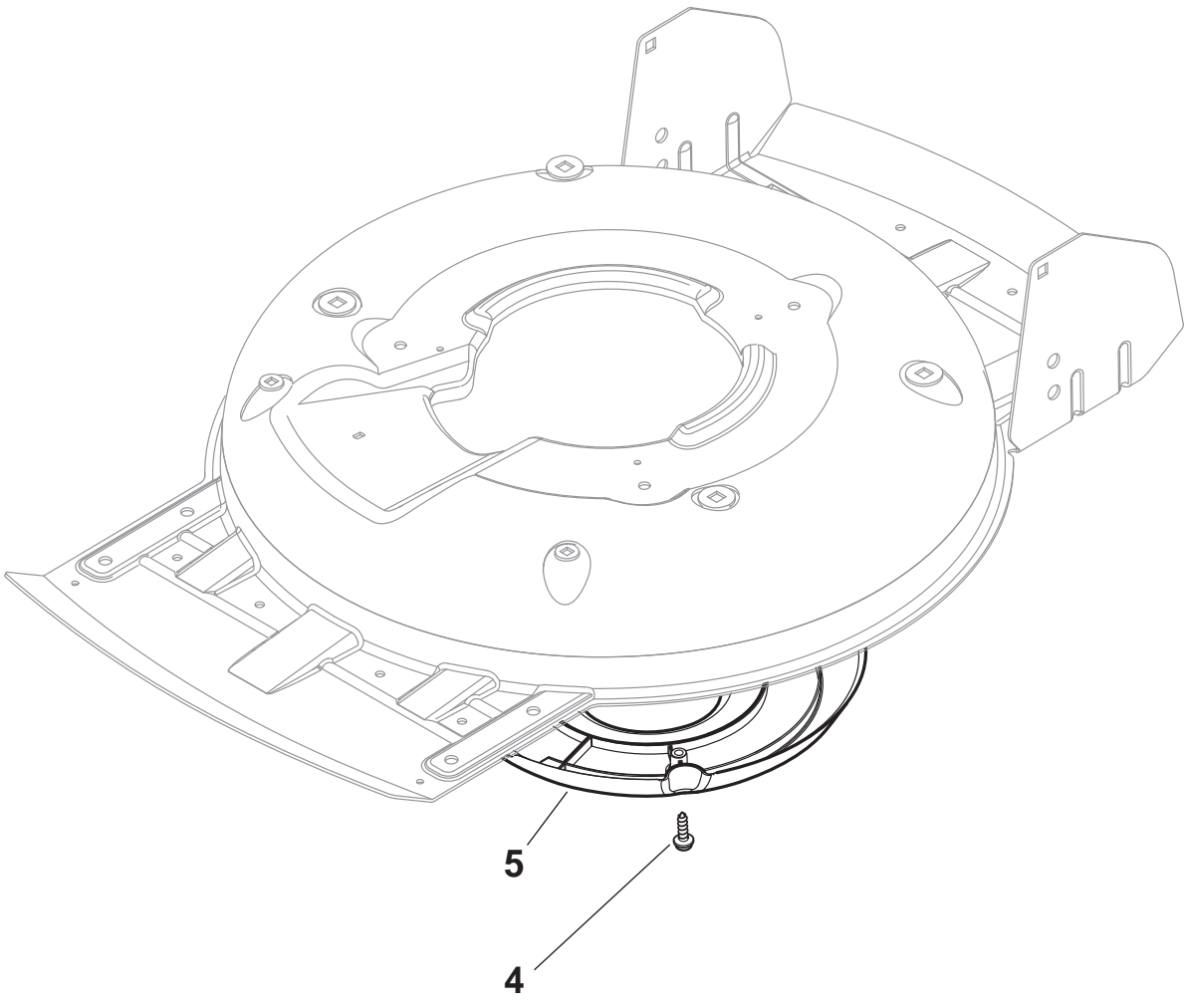
All content is subject to copyright by Global Garden Products and may not be reproduced in whole or in part by any means, electronic or otherwise, without prior written approval.

THIS INFORMATION IS NOT INTENDED FOR SALE OR RESALE, AND THIS NOTICE MUST REMAIN ON ALL COPIES.

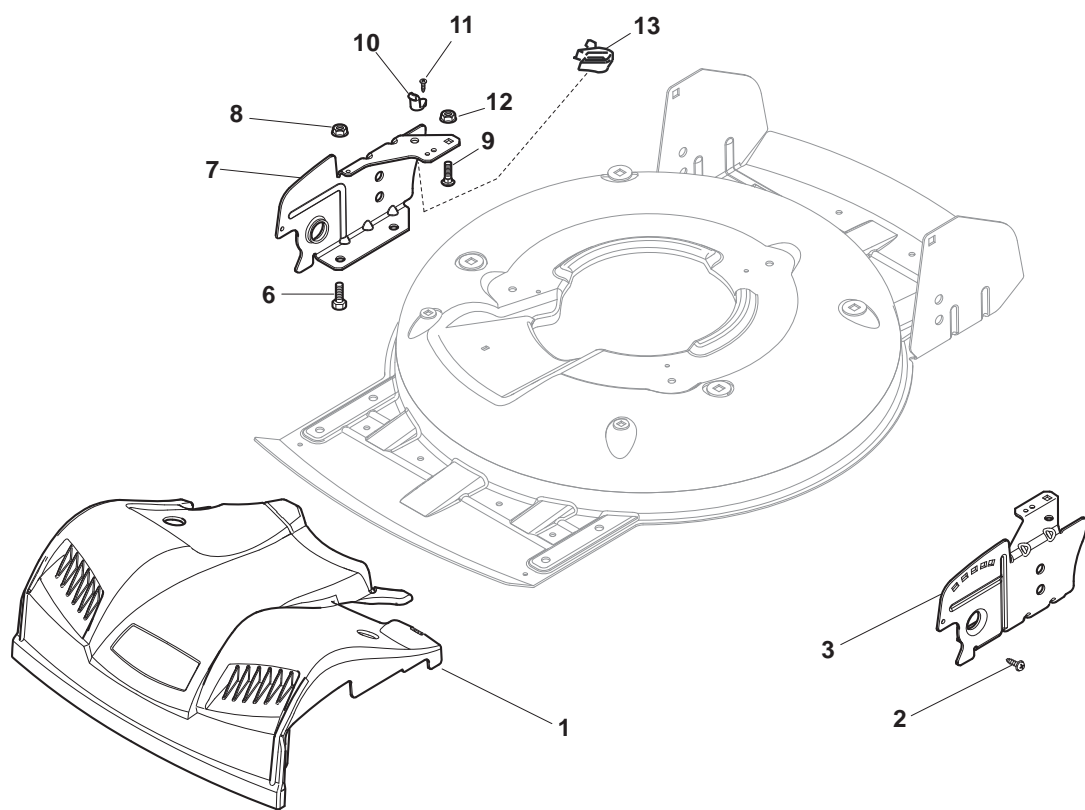




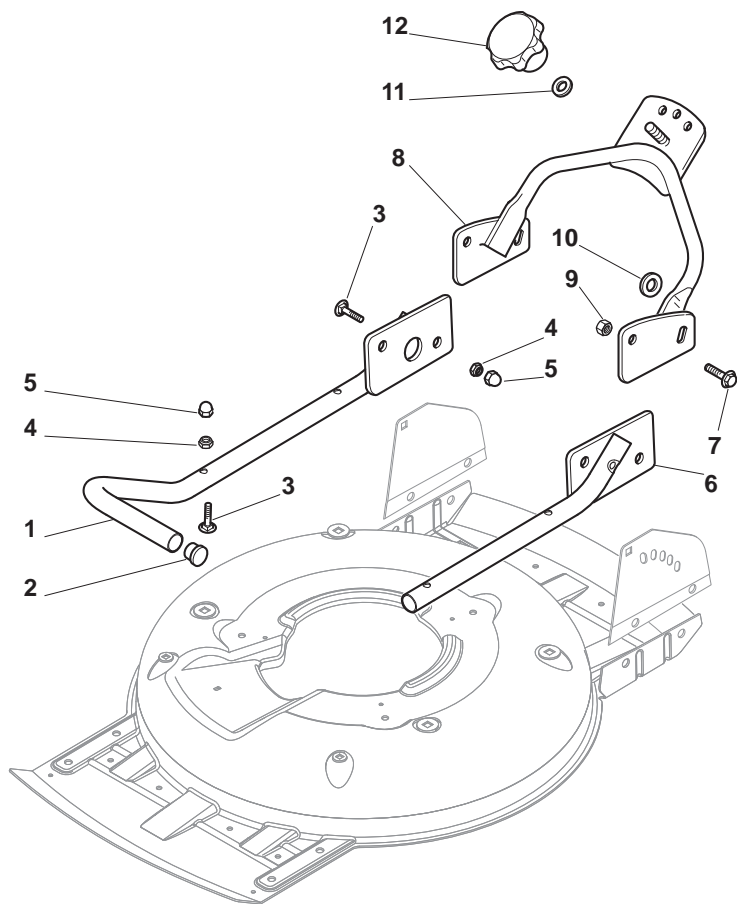
POSITION	PART No.	Q.Ty	DESCRIPTION	NOTES
1	322064691/0	1	Deck INOX	
3	381302863/0	1	Axle, Front Wheels	
12	112791011/0	4	Screw	
13	322545169/0	1	Left Plate, INOX	
14	112154510/0	4	Nut	
15	322545167/0	1	Right Plate, INOX	
16	381302861/1	1	Axle, Rear Wheels	
17	112789000/0	2	Screw	
18	381003323/0	1	Lever, Height Adjustment	
19	112154330/0	2	Nut	
20	112293200/0	1	Nut	
21	322399812/0	1	Knob	
22	112735661/0	2	Screw	
23	322551529/0	2	Plate	
24	112521330/0	2	Washer	
25	122033329/0	1	Rod, Height Adjustment Control	
26	112604899/0	2	Crown Fastener	
27	122446184/0	1	Spring	



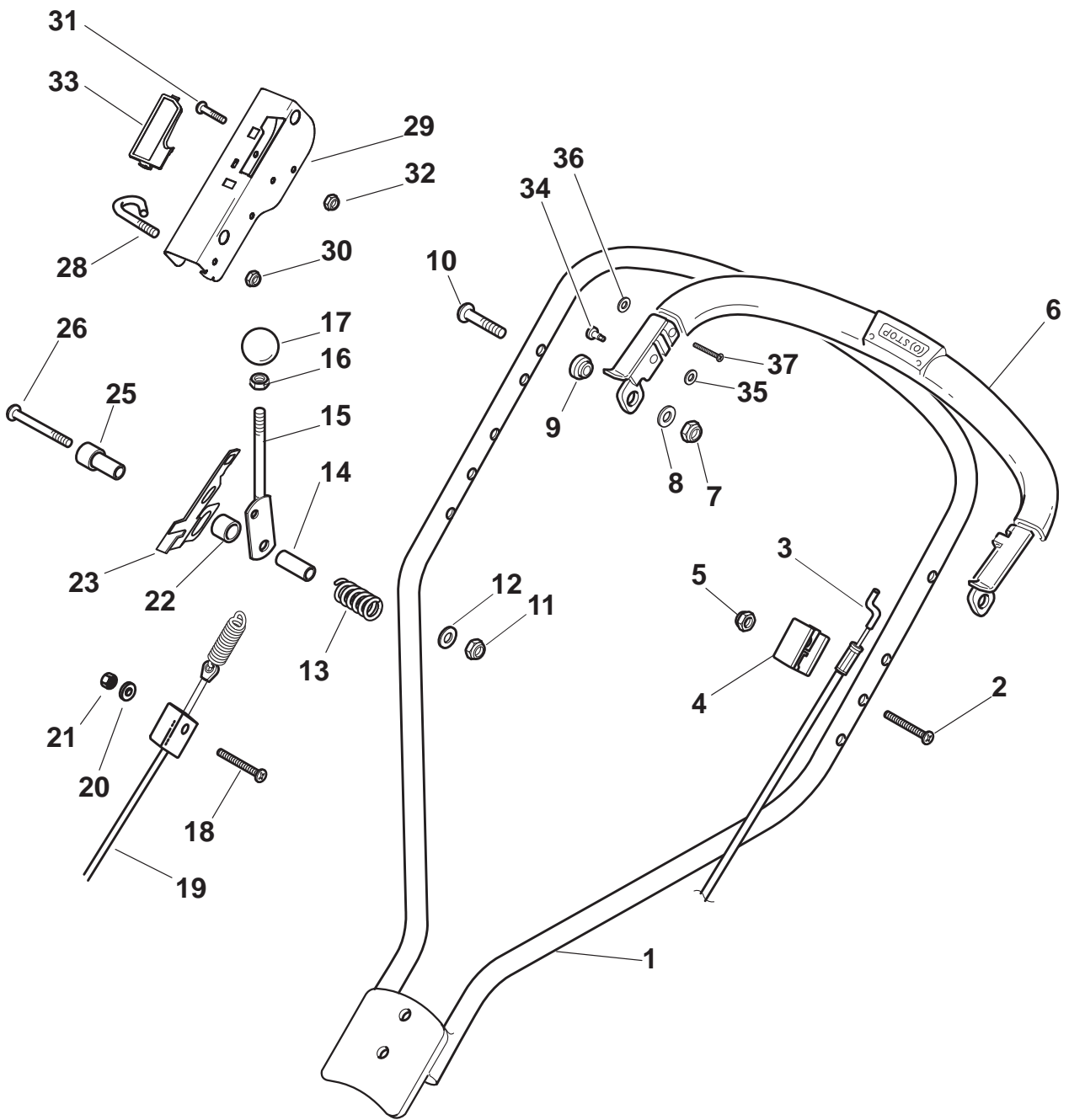
POSITION	PART No.	Q.Ty	DESCRIPTION	NOTES
4	112728530/0	3	Screw	
5	322060220/0	1	Protection	



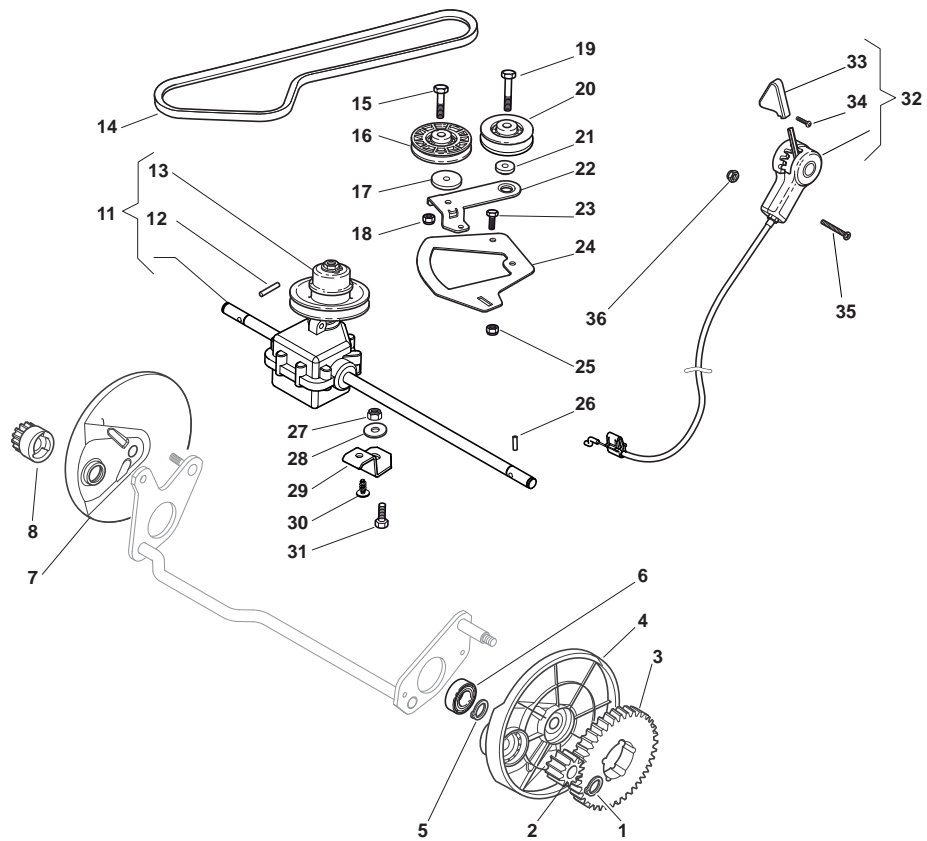
POSITION	PART No.	Q.Ty	DESCRIPTION	NOTES
1	322226097/1	1	Mask, Yellow	
2	112728450/0	2	Screw	
3	322778421/0	1	Bracket, L	
6	112792611/0	4	Screw	
7	322778419/0	1	Bracket, R	
8	112293201/0	4	Nut	
9	112815200/0	2	Screw	
10	322020400/0	2	Fairlead	
11	112728523/0	2	Screw	
12	112292102/0	2	Nut	
13	133320506/0	2	Fairlead	



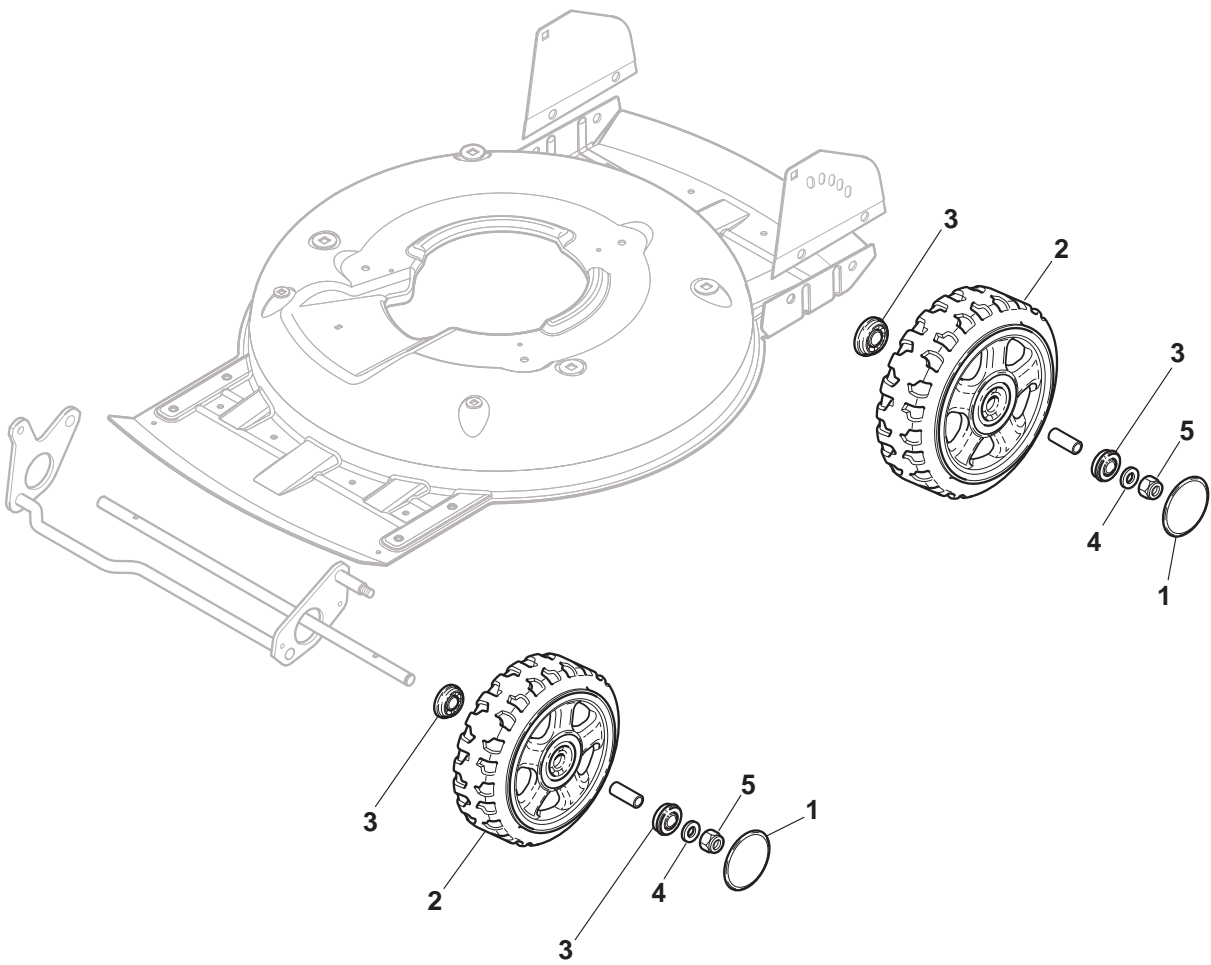
POSITION	PART No.	Q.Ty	DESCRIPTION	NOTES
1	381006373/0	1	Right Handle, Lower Part Yellow	
2	118566114/0	4	Cap	
3	112819100/0	6	Screw	
4	112155000/0	6	Nut	
5	118203854/0	6	Protection	
6	381006375/0	1	Left Handle, Lower Part Yellow	
7	112793102/0	4	Screw	
8	381006361/1	1	Handle, Middle Part Yellow	
9	112155000/0	4	Nut	
10	112523060/0	2	Washer	
11	112523080/0	1	Washer	
12	322399813/0	1	Knob	



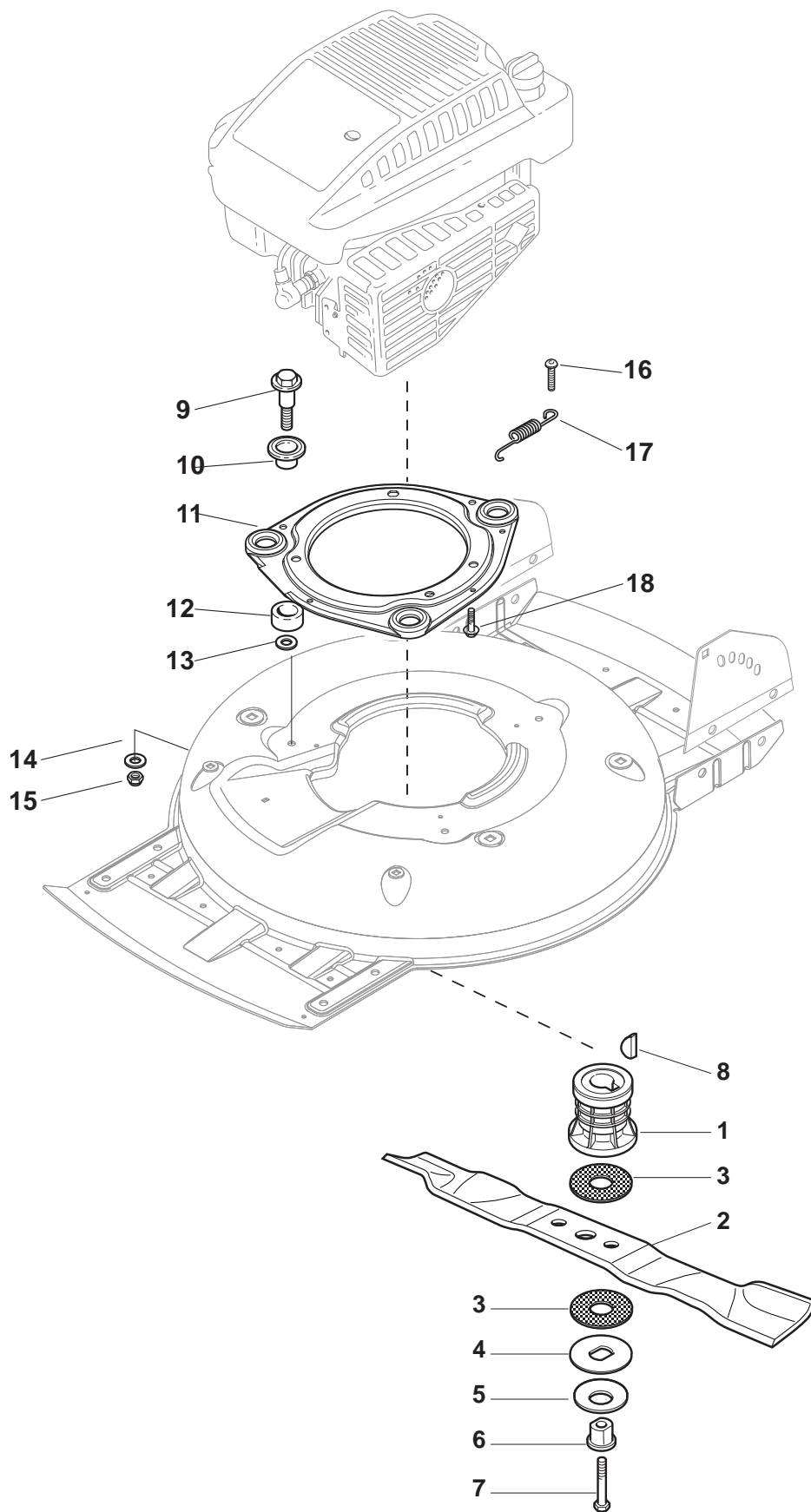
POSITION	PART No.	Q.Ty	DESCRIPTION	NOTES
1	381006363/2	1	Handle, Upper Part Yellow	
2	112727784/0	1	Screw	
3	181000769/1	1	Cable, Thread Engine Brake	
4	322551639/0	1	Plate	
5	112154510/0	1	Nut	
6	381003318/1	1	Lever, Engine Brake	
7	112154510/0	2	Nut	
8	112521330/0	2	Washer	
9	122671660/1	2	Washer	
10	112727784/0	2	Screw	
11	112154510/0	1	Nut	
12	112521330/0	1	Elastic Washer	
13	122450446/0	1	Spring	
14	122170840/0	1	Spacer	
15	381003313/0	1	Lever, Driving	
16	112293200/0	1	Nut	
17	322399812/0	1	Knob	
18	112727791/0	1	Screw	
19	381030095/0	1	Cable, Rear Drive	
20	112521330/0	1	Washer	
21	112154510/0	1	Nut	
22	122170843/0	1	Spacer	
23	322551653/0	1	Plate	
25	122170842/0	1	Spacer	
26	112727786/0	1	Screw	
28	122430314/0	1	Guide Spring	
29	381004405/0	1	Dash Board	
30	112154510/0	1	Nut	
31	112727792/0	1	Screw	
32	112154510/0	1	Nut	
33	322500050/0	1	Shoe	
34	122524342/0	1	Pin	
35	112604897/0	1	Snap Ring	
36	112154330/0	2	Screw	
37	112727796/0	2	Washer	



POSITION	PART No.	Q.Ty	DESCRIPTION	NOTES
1	112608600/0	2	Seeger	
2	122570120/1	1	Pinion L	
3	122120105/1	2	Ring Gear	
4	322600267/0	1	Plastic Wheels Protection	
5	112608600/0	2	Seeger	
6	119216035/0	2	Bearing	
7	322600267/0	1	Plastic Wheels Protection	
8	122570110/1	1	Pinion R	
11	181003098/2	1	Gear Box	
12	112645700/0	1	Pin	
13	122601925/0	1	Pulley	
14	135064010/0	1	Belt	
15	112689500/0	1	Screw	
16	122601914/0	1	Pulley	
17	322680009/0	1	Washer	
18	112154510/0	1	Nut	
19	112674701/0	1	Screw	
20	122601915/0	1	Pulley	
21	122671656/0	1	Washer	
22	322320007/0	1	Lever	
23	112791011/0	1	Screw	
24	322806629/0	1	Support	
25	112154510/0	2	Nut	
26	122753000/0	2	Pin	
27	112155000/0	1	Nut	
28	112523060/0	1	Washer	
29	322551655/0	1	Support	
30	112728704/0	1	Screw	
31	112793102/0	1	Screw	
32	381007112/0	1	Cable, Speed Drive Control	
33	322399820/0	1	Knob	
34	112728300/0	1	Screw	
35	112727787/0	2	Screw	
36	112154510/0	2	Nut	



POSITION	PART No.	Q.Ty	DESCRIPTION	NOTES
1	322110653/0	4	Hub Cap	
2	381007487/0	2	Wheel, Aluminium Ø 210	
3	119216035/0	8	Bearing	
4	112521350/0	4	Washer	
5	112155000/0	4	Nut	



POSITION	PART No.	Q.Ty	DESCRIPTION	NOTES
1	122465612/1	1	Hub With Pulley, Crankshaft Ø 25	
2	181004146/0	1	Blade Standard	
3	322672110/1	2	Clutch Washer	
4	322672105/0	1	Washer	
5	112508120/0	1	Cupped Spring	
6	122041940/0	1	Clutch Bush	
7	112736850/0	1	Screw	
8	112139150/0	1	Feather, Crankshaft Ø 25	
9	122524329/0	3	Pin	
10	322672201/0	3	Washer	
11	381207225/1	1	Flange, Yellow	
12	322250012/0	3	Grommet	
13	122671651/0	3	Washer	
14	122671651/0	3	Washer	
15	112155000/0	3	Nut	
16	112791400/0	1	Screw	
17	122450449/0	1	Spring	
18	112735108/1	3	Screw	