



www.stiga.com

Illustrated Parts List

for model:

COMBI 1066 H

- Use GLOBAL GARDEN PRODUCT genuine spare parts specified in the parts list for repair and/or replacement.
- Then contents described in the parts list may change due to improvement.
- The drawings of the spare part are only indicative and might not represent the part in question exactly.
- The indications "right" - "left" - "front" - "rear" refer to the position of the operator when using the machine.
- When placing orders of parts for repair and/or replacement, make sure that the illustrated parts list is the one applying to the machine's year of manufacture, as shown on the identification plate attached to the machine.

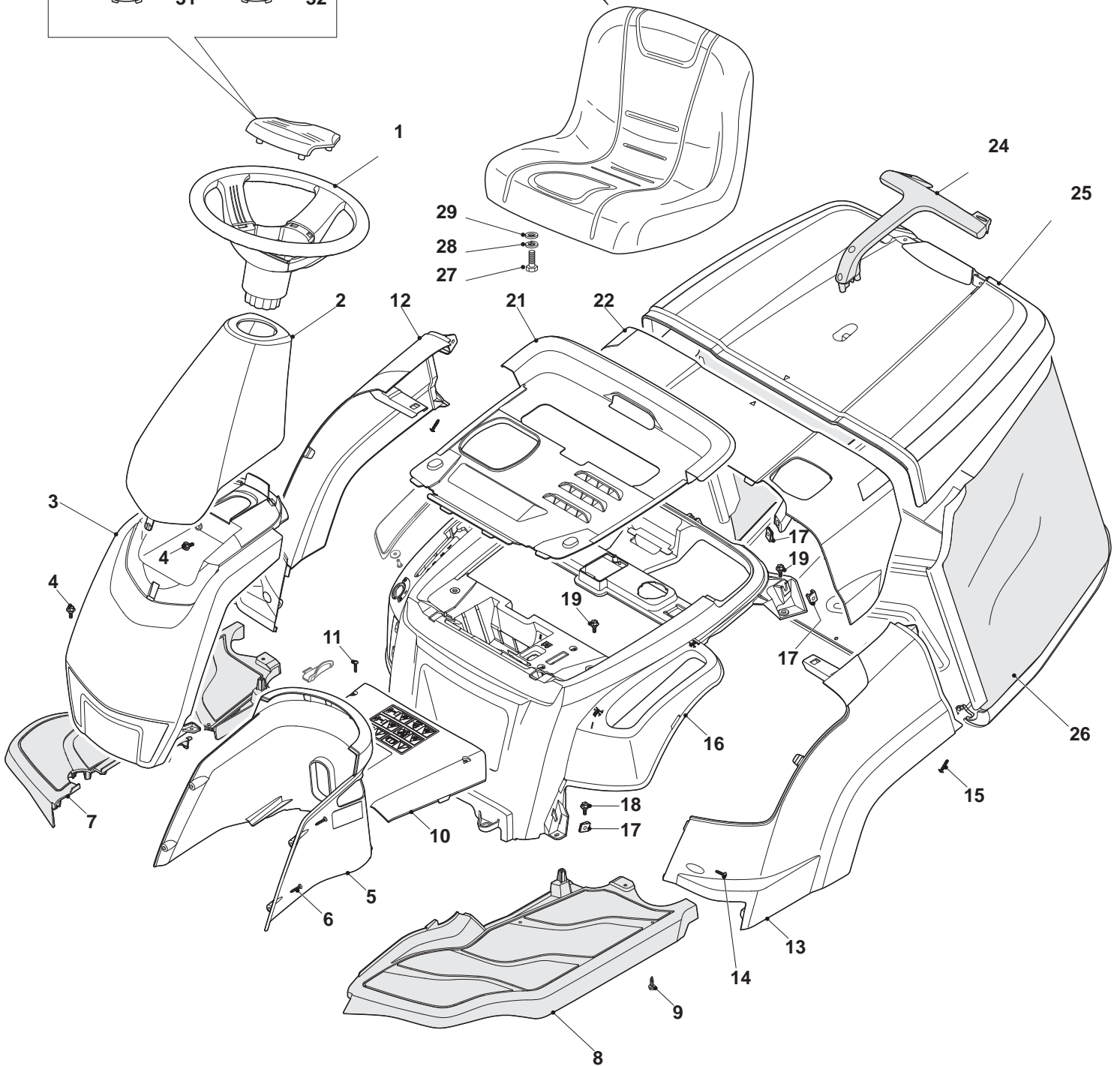
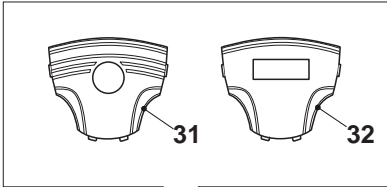
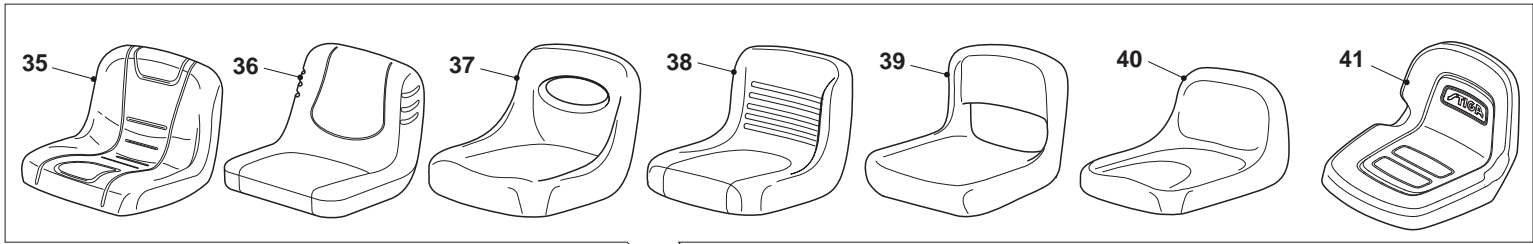
© Copyright 2014 Global Garden Products

All content is subject to copyright by Global Garden Products and may not be reproduced in whole or in part by any means, electronic or otherwise, without prior written approval.

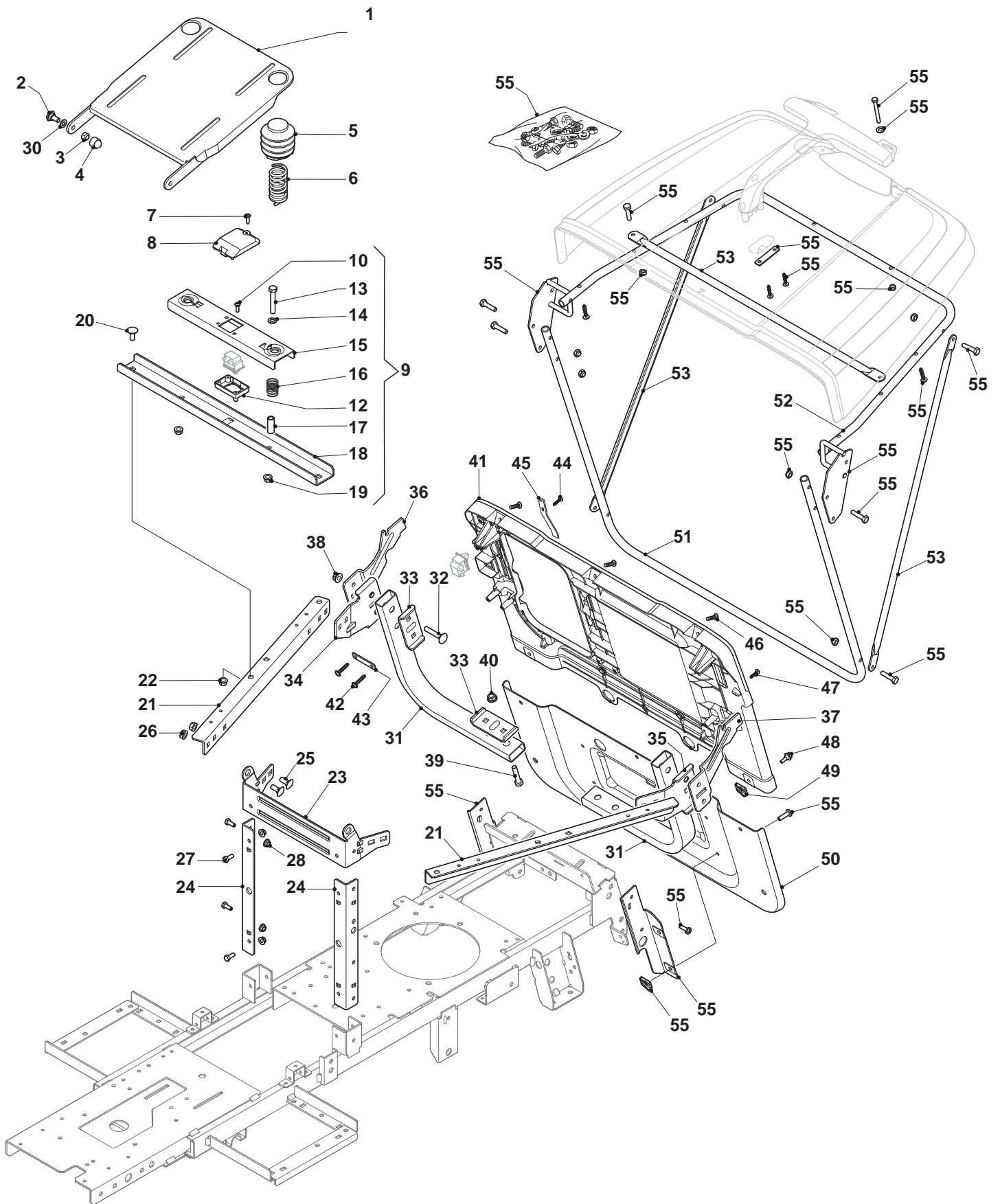
THIS INFORMATION IS NOT INTENDED FOR SALE OR RESALE, AND THIS NOTICE MUST REMAIN ON ALL COPIES.

www.ggp-group.com

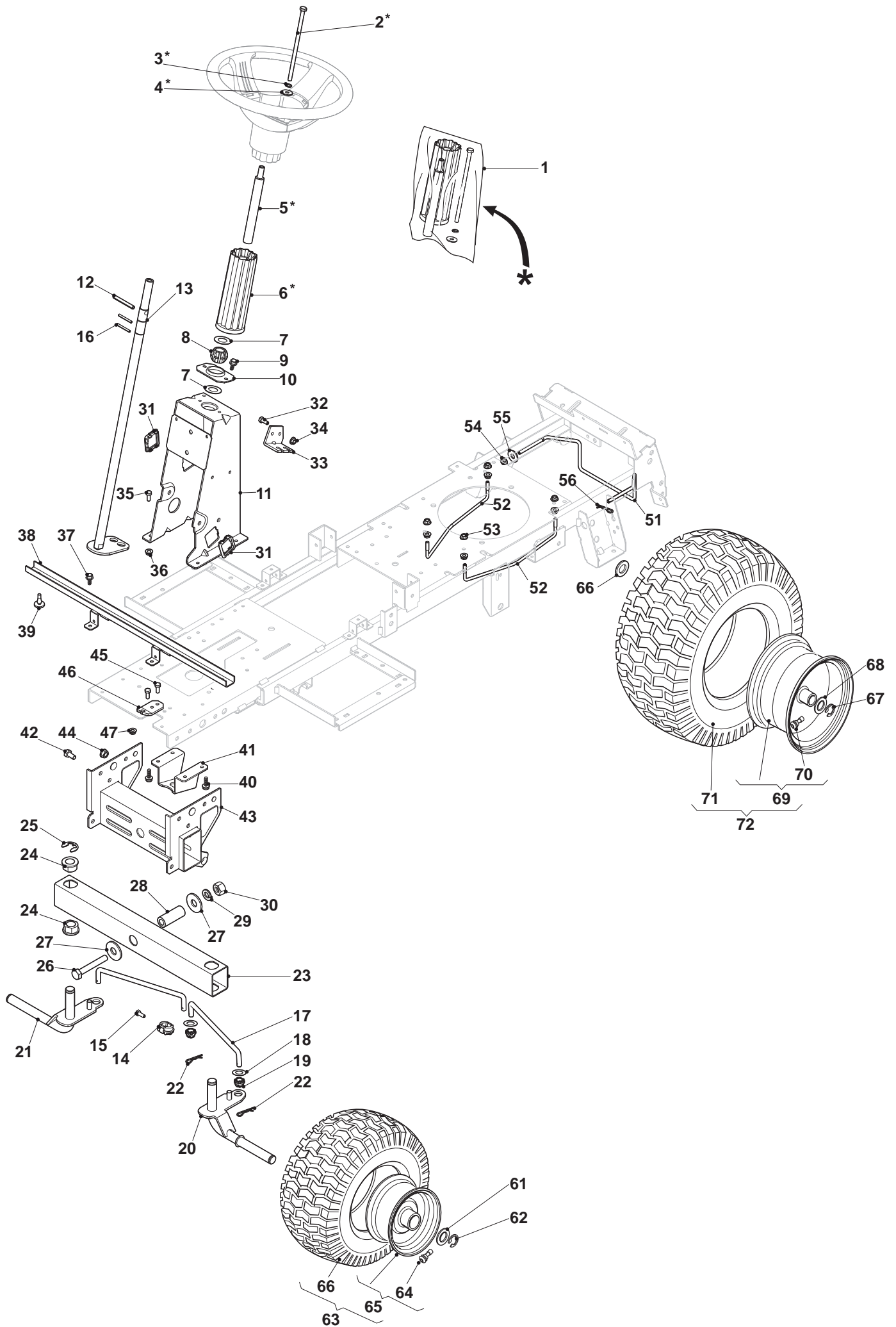




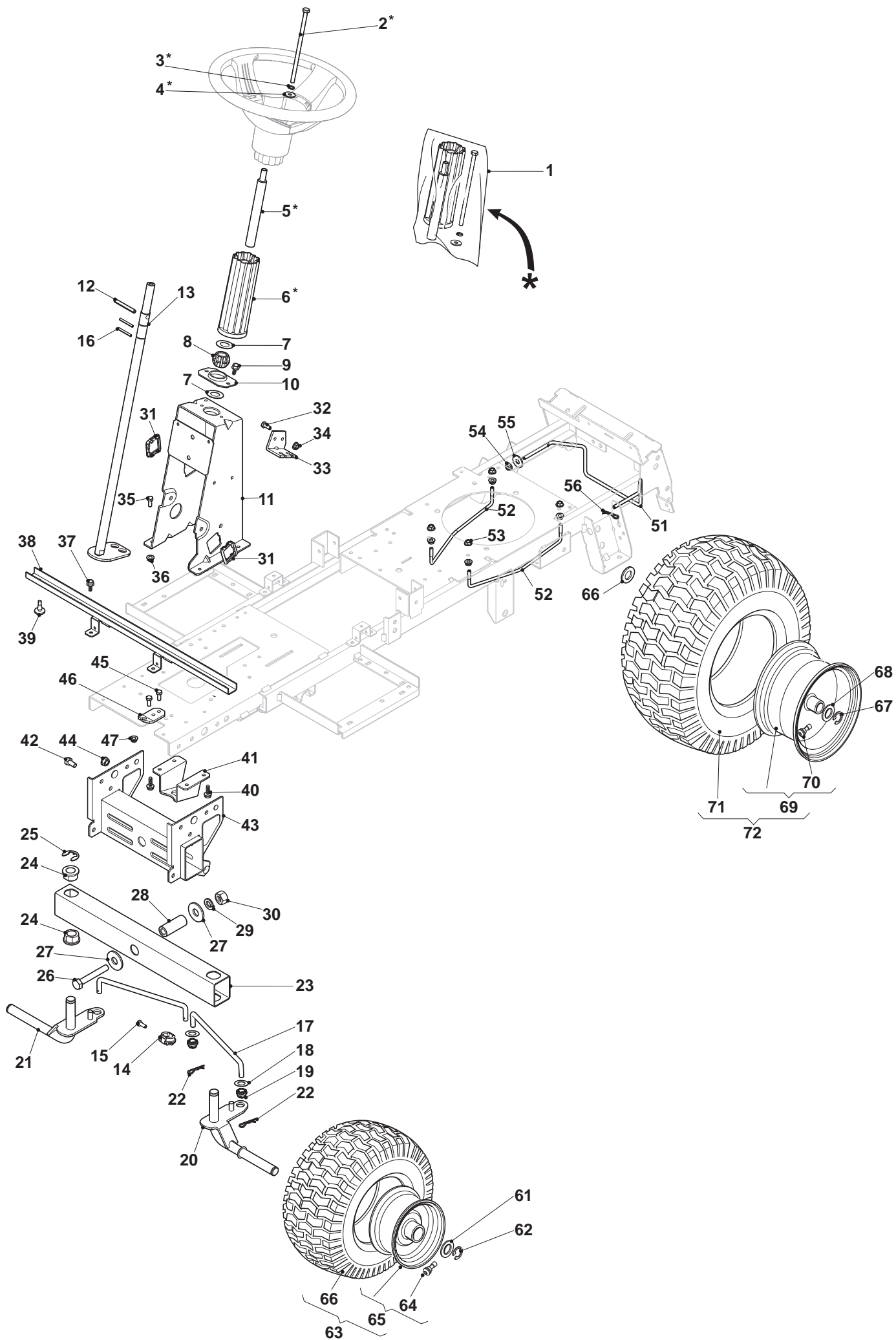
| Body | | | | |
|------|-------------|------|-----------------------------|-------|
| POS | CODE | Q.TY | Seat | NOTES |
| 1 | 325961220/0 | 1 | Steering Wheel | |
| 2 | 327110519/0 | 1 | Steering Column Cover, Grey | |
| 3 | 327110492/0 | 1 | Front Cover, Yellow | |
| 4 | 125943010/0 | 4 | Screw | |
| 5 | 327110518/0 | 1 | Rear Cover, Grey STIGA | |
| 6 | 112728300/0 | 4 | Screw | |
| 7 | 327500501/0 | 1 | Right Footboard | |
| 8 | 327500500/0 | 1 | Left Footboard | |
| 9 | 112735402/0 | 14 | Screw | |
| 10 | 327110516/1 | 1 | Central Cover, Grey | |
| 11 | 112728300/0 | 2 | Screw | |
| 12 | 327110488/0 | 1 | Right Wheels Cover, Yellow | |
| 13 | 327110490/0 | 1 | Left Wheels Cover, Yellow | |
| 14 | 112727801/0 | 6 | Screw | |
| 15 | 112728300/0 | 6 | Screw | |
| 16 | 327110517/1 | 1 | Frame Cover, Grey | |
| 17 | 112437507/0 | 10 | Rapid Fixing Plate | |
| 19 | 125943010/0 | 6 | Screw | |
| 21 | 327110481/1 | 1 | Engine Cover Black | |
| 22 | 327110494/0 | 1 | Cover, Yellow | |
| 22 | 327110532/0 | 1 | Cover, Green | |
| 24 | 327394004/0 | 1 | Handle, Black | |
| 25 | 327110484/0 | 1 | Grass-Catcher Cover, Yellow | |
| 26 | 184106074/0 | 1 | Box, Fabric | |
| 27 | 112793101/0 | 4 | Screw | |
| 28 | 112583500/0 | 4 | Grower | |
| 29 | 112523060/0 | 4 | Washer | |
| 32 | 325580504/0 | 1 | Steering Plate | |
| 41 | 125722477/0 | 1 | Seat | |



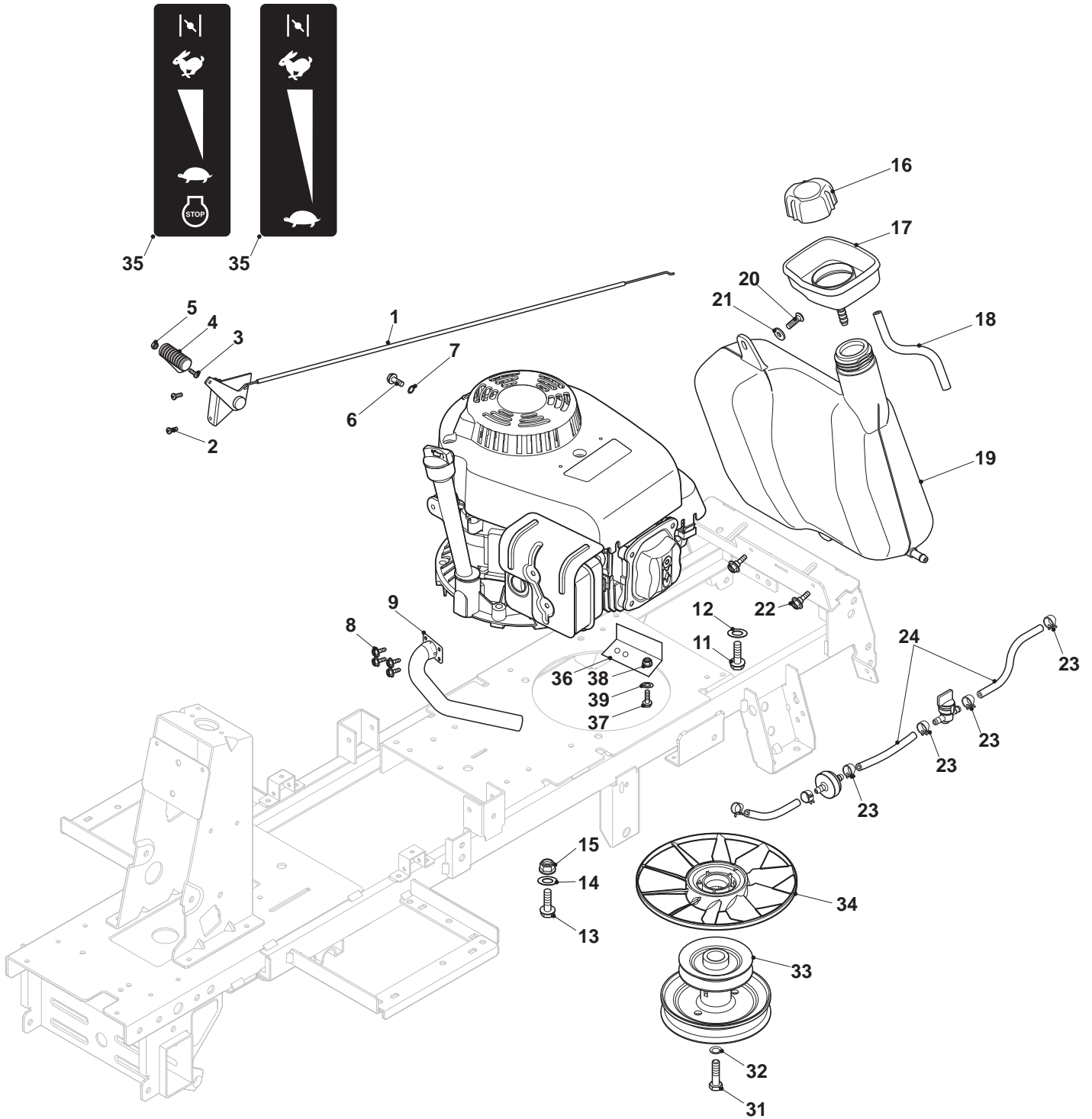
| Frame | | | | |
|-------|-------------|------|--------------------------|-------|
| POS | CODE | Q.TY | Seat | NOTES |
| 1 | 382547061/0 | 1 | Plate | |
| 2 | 122524970/3 | 2 | Pin | |
| 3 | 112155010/0 | 2 | Self-Locking Nut | |
| 4 | 118203854/0 | 2 | Screw | |
| 5 | 327737500/0 | 2 | Protection Hood | |
| 6 | 127430589/0 | 2 | Spring | |
| 7 | 112728706/0 | 1 | Screw | |
| 8 | 327110508/0 | 1 | Switch Cover | |
| 9 | 384394751/1 | 1 | Micro | |
| 10 | 112728686/0 | 2 | Screw | |
| 11 | 119410606/0 | 1 | Micro Switch | |
| 12 | 325785379/1 | 1 | Support | |
| 13 | 112691400/0 | 2 | Screw | |
| 14 | 112521350/0 | 2 | Washer | |
| 15 | 327543047/0 | 1 | Plate | |
| 16 | 125430263/0 | 2 | Spring | |
| 17 | 125160048/0 | 2 | Spacer | |
| 18 | 327787089/0 | 1 | Support | |
| 19 | 112293201/0 | 2 | Nut | |
| 20 | 112818690/0 | 2 | Screw | |
| 21 | 327650131/0 | 2 | Upper Stiffening | |
| 22 | 112293201/0 | 2 | Nut | |
| 23 | 327543039/0 | 1 | Backup Plate | |
| 24 | 327010209/0 | 2 | Angular | |
| 25 | 112818690/0 | 8 | Screw | |
| 26 | 112293201/0 | 8 | Nut | |
| 27 | 112791200/1 | 8 | Screw | |
| 28 | 112154510/0 | 8 | Nut | |
| 30 | 122675110/0 | 2 | Washer | |
| 31 | 327869063/0 | 2 | Pipe | |
| 32 | 112819105/0 | 4 | Screw | |
| 33 | 327543029/0 | 4 | Plate | |
| 34 | 327772171/0 | 1 | Bracket, Right | |
| 35 | 327772225/0 | 1 | Bracket, Right | |
| 36 | 327772213/0 | 1 | Bracket, Left | |
| 37 | 327772215/1 | 1 | Bracket, Left | |
| 38 | 112154210/0 | 4 | Self-Locking Nut | |
| 39 | 112691115/0 | 4 | Screw | |
| 40 | 112154210/0 | 4 | Self-Locking Nut | |
| 41 | 327543027/0 | 1 | Plate | |
| 42 | 112728300/0 | 4 | Screw | |
| 43 | 322545142/0 | 2 | Plate | |
| 44 | 112728300/0 | 1 | Screw | |
| 45 | 127430600/0 | 1 | Spring | |
| 46 | 112727801/0 | 3 | Screw | |
| 47 | 112728300/0 | 2 | Screw | |
| 48 | 125943010/0 | 2 | Screw | |
| 49 | 112437507/0 | 2 | Rapid Fixing Plate | |
| 50 | 327543025/0 | 1 | Plate | |
| 51 | 384801145/0 | 1 | Grasscatcher Frame | |
| 52 | 384801147/0 | 1 | Grasscatcher Upper Frame | |
| 53 | 327650133/0 | 3 | Upper Stiffening | |
| 55 | 384180218/1 | 1 | Outfit | |



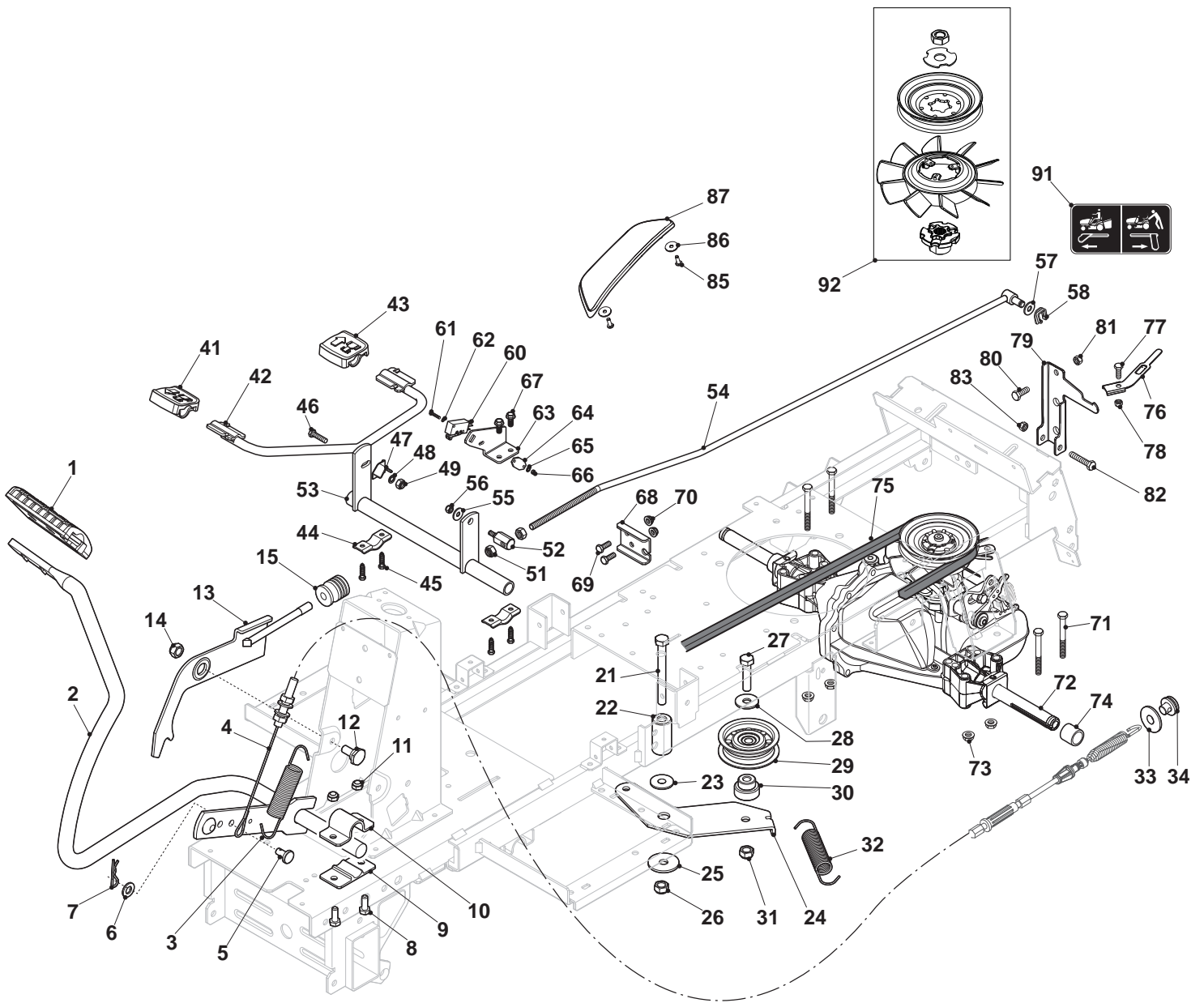
| Steering | | | | |
|----------|-------------|------|------------------------|-------|
| POS | CODE | Q.TY | DESCRIPTION | NOTES |
| 1 | 384180219/0 | 1 | Outfit, Screws | |
| 2 | 127840055/0 | 1 | Screw | |
| 3 | 112540260/0 | 1 | Grower | |
| 4 | 112523070/0 | 1 | Washer | |
| 5 | 127160060/0 | 1 | Extension column | |
| 6 | 325785419/0 | 1 | Steering Wheel Support | |
| 7 | 125670023/0 | 2 | Washer | |
| 8 | 122746617/0 | 1 | Joint | |
| 9 | 112735121/0 | 2 | Screw | |
| 10 | 327787091/0 | 1 | Joint | |
| 11 | 384773575/0 | 1 | Front Bracket Support | |
| 12 | 112620300/0 | 1 | Pin | |
| 13 | 384520051/0 | 1 | Steering Column | |
| 14 | 327045074/0 | 1 | Bush | |
| 15 | 125943004/0 | 2 | Screw | |
| 16 | 112620210/0 | 2 | Elastic Pin | |
| 17 | 127034091/0 | 2 | Rod | |
| 18 | 112521350/0 | 4 | Washer | |
| 19 | 327045072/0 | 4 | Bush | |
| 20 | 384230411/0 | 1 | Left Stub Axle | |
| 21 | 384230409/0 | 1 | Right Stub Axle | |
| 22 | 124487995/0 | 4 | Cotter Pin | |
| 23 | 327869061/0 | 1 | Pipe | |
| 24 | 127047019/0 | 4 | Bush | |
| 25 | 112000970/0 | 2 | Ring (Benzing) | |
| 26 | 112794950/0 | 1 | Screw | |
| 27 | 112523080/0 | 2 | Washer | |
| 28 | 127160062/0 | 1 | Spacer | |
| 29 | 112585100/0 | 1 | Washer | |
| 30 | 112295200/0 | 1 | Hexagonal Nut | |
| 31 | 327580500/0 | 2 | Plate | |
| 32 | 112791200/1 | 2 | Screw | |
| 33 | 327772199/0 | 1 | Front Bracket | |
| 34 | 112292102/0 | 2 | Nut | |
| 35 | 112791200/1 | 4 | Screw | |
| 36 | 112292102/0 | 4 | Nut | |
| 37 | 112735122/0 | 4 | Screw | |
| 38 | 384783061/0 | 1 | Footboard Support | |
| 39 | 127275000/0 | 1 | Grommet | |
| 40 | 112735122/0 | 4 | Screw | |
| 41 | 327772165/1 | 1 | Bracket | |
| 42 | 112792611/0 | 4 | Screw | |
| 43 | 384783059/0 | 1 | Forecarriage Support | |
| 44 | 112293201/0 | 4 | Nut | |
| 45 | 112791200/1 | 2 | Screw | |
| 46 | 327772209/0 | 1 | Bracket | |
| 47 | 112292102/0 | 2 | Nut | |
| 51 | 127294009/0 | 1 | Belt Guide | |
| 52 | 127294010/1 | 2 | Belt Guide | |
| 53 | 112292102/0 | 8 | Nut | |
| 54 | 112154510/0 | 1 | Nut | |
| 55 | 112521330/0 | 1 | Washer | |
| 56 | 124487997/0 | 1 | Cotter Pin | |
| 61 | 112000970/0 | 2 | Ring (Benzing) | |
| 62 | 112521390/0 | 2 | Washer | |
| 63 | 384680074/0 | 2 | Front Wheel | |
| 64 | 125590000/0 | 2 | Front Tyre | |
| 65 | 184044015/0 | 2 | Tyre | |
| 66 | 125590018/0 | 2 | Tyre | |
| 67 | 112001010/0 | 2 | Benzing Ring | |
| 68 | 125670005/2 | 4 | Washer | |



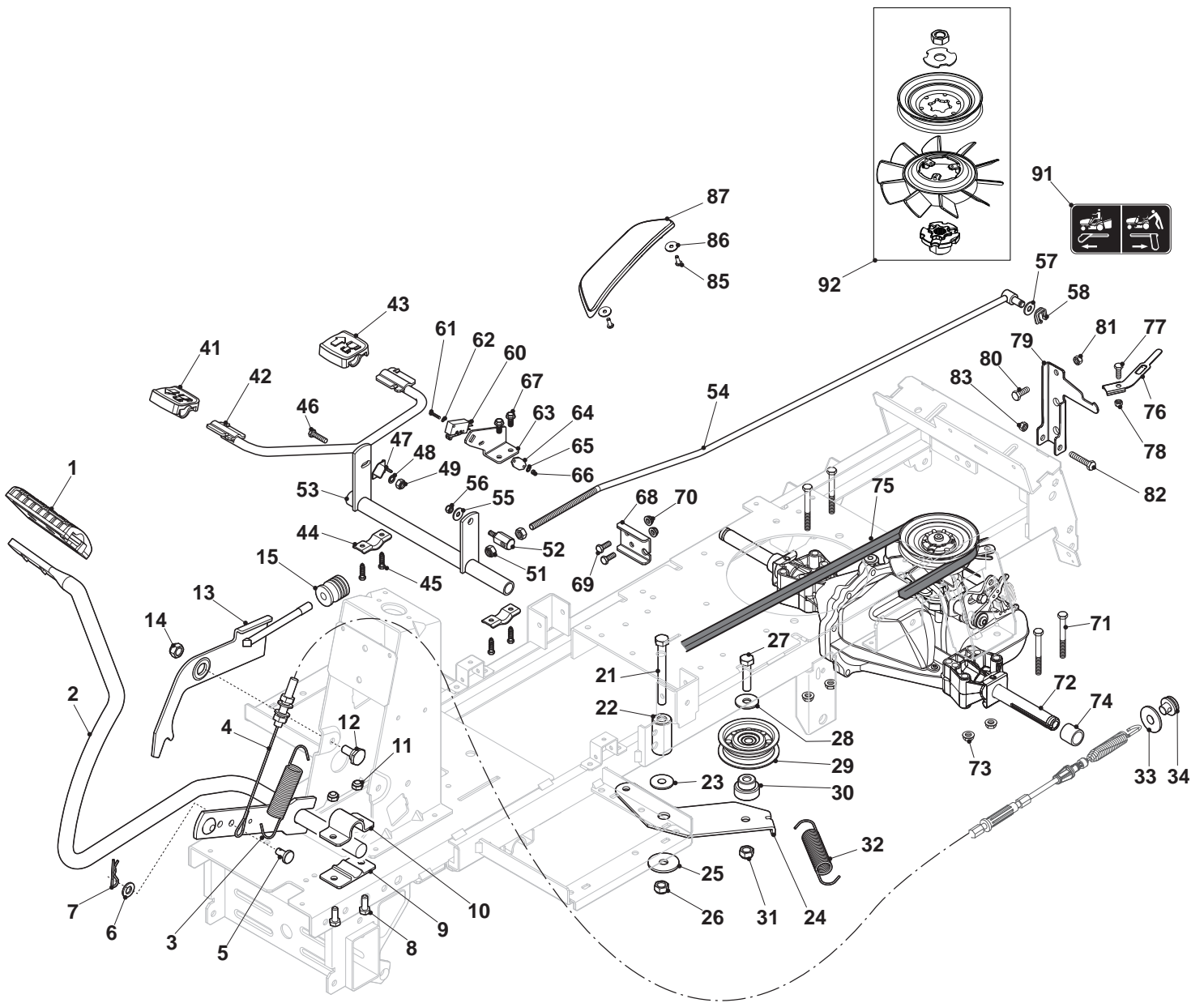
| Steering | | | | |
|----------|-------------|------|-------------|-------|
| POS | CODE | Q.TY | DESCRIPTION | NOTES |
| 69 | 184044013/0 | 2 | Rimm | |
| 70 | 125590000/0 | 2 | Front Tyre | |
| 71 | 127590068/0 | 2 | Tyre | |
| 72 | 384680076/0 | 2 | Rear Wheel | |



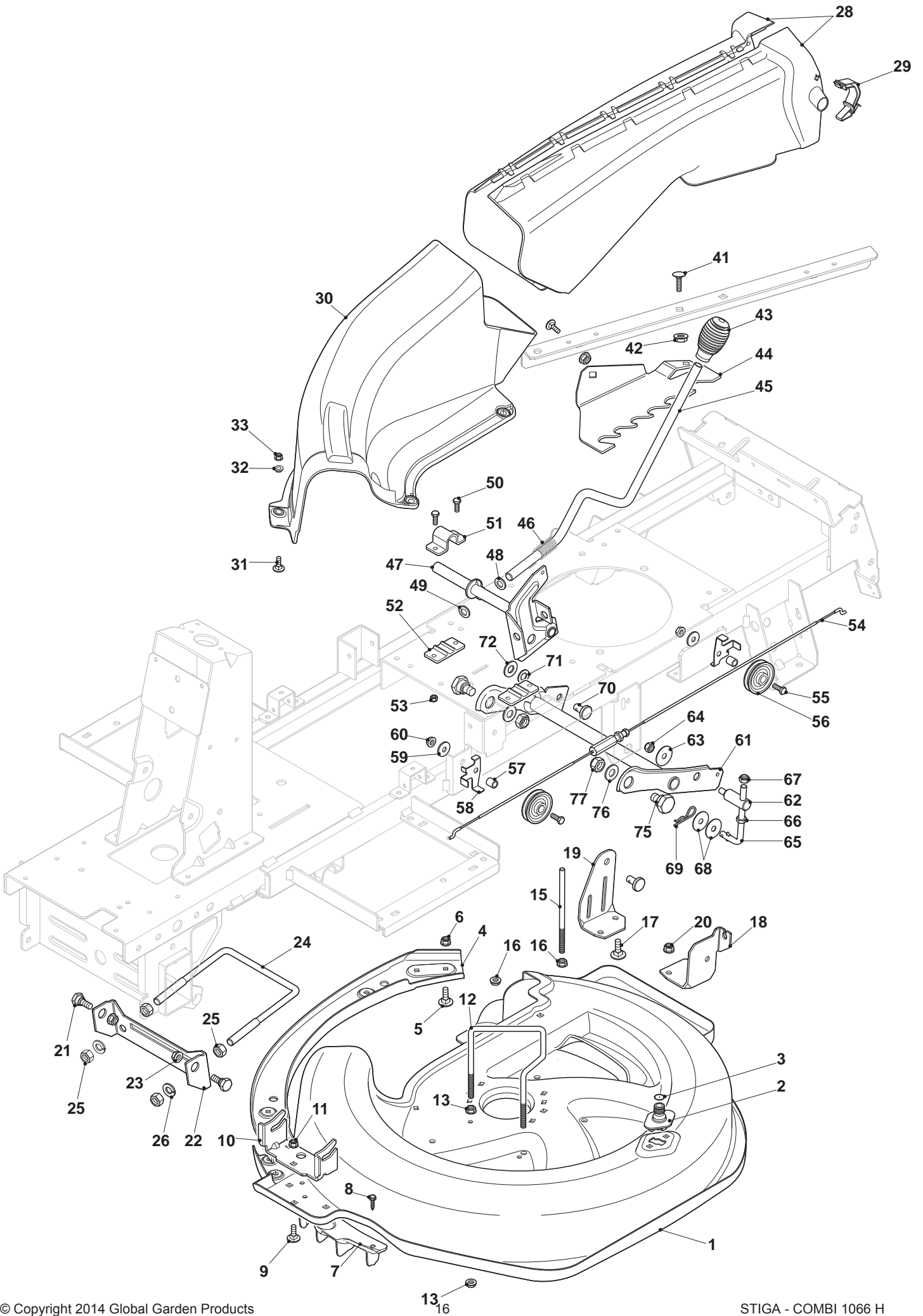
| GGP Engine | | | | |
|------------|-------------|------|--------------------------|-------|
| POS | CODE | Q.TY | DESCRIPTION | NOTES |
| 1 | 184000256/0 | 1 | Throttle Cable | |
| 2 | 125943012/0 | 2 | Screw | |
| 3 | 112726388/0 | 1 | Screw | |
| 4 | 125394501/0 | 1 | Knob | |
| 5 | 112290800/0 | 1 | Hexagonal Nut | |
| 6 | 112735599/0 | 1 | Screw | |
| 7 | 112540040/0 | 1 | Washer | |
| 8 | 112735110/0 | 4 | Screw | |
| 9 | 118738251/0 | 1 | Pipe | |
| 11 | 112735109/1 | 2 | Screw | |
| 12 | 112540070/0 | 2 | Washer | |
| 13 | 112691200/0 | 1 | Screw | |
| 14 | 112521350/0 | 1 | Washer | |
| 15 | 112154210/0 | 1 | Self-Locking Nut | |
| 16 | 127790000/1 | 1 | Fuel Cap | |
| 17 | 327600180/0 | 1 | Tank Protection | |
| 18 | 325869054/1 | 1 | Washer | |
| 19 | 327733008/0 | 1 | Fuel Tank | |
| 20 | 112727801/0 | 1 | Screw | |
| 21 | 112523040/0 | 1 | Washer | |
| 22 | 125943010/0 | 2 | Screw | |
| 23 | 118375051/1 | 4 | Fair Led | |
| 24 | 325869035/1 | 1 | Connecting Tube | |
| 31 | 112736850/0 | 1 | Screw | |
| 32 | 112543000/0 | 1 | Washer | |
| 33 | 384601500/0 | 1 | Pulley | |
| 35 | 114366905/0 | 1 | Label | |
| 36 | 327772239/0 | 1 | Clamp | |
| 37 | 112791200/1 | 3 | Plastic Intake Separator | |
| 38 | 112292102/0 | 3 | Screw | |
| 39 | 122675110/0 | 2 | Washer | |



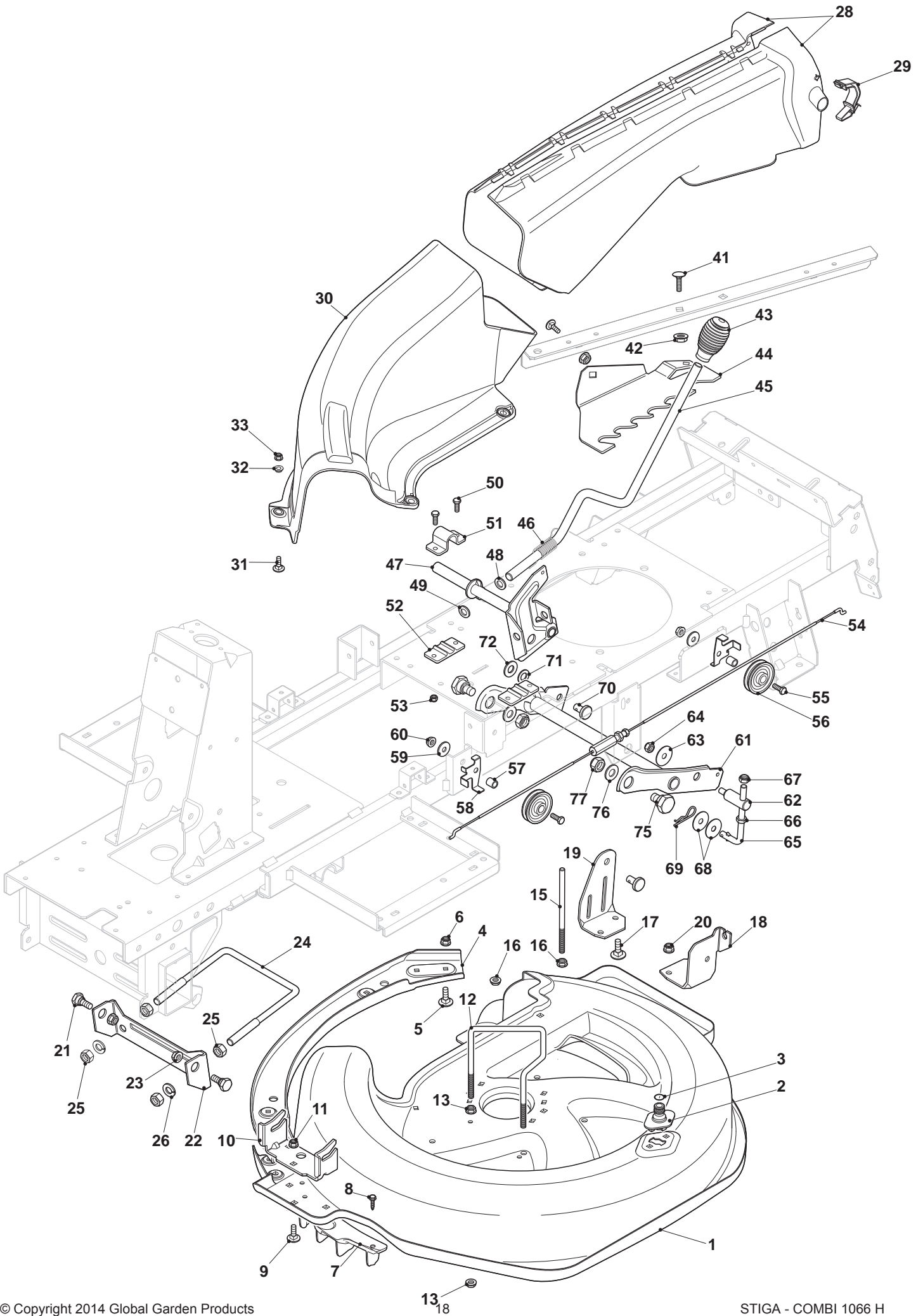
| Trasmissione Hydro | | | | |
|--------------------|-------------|------|-----------------------------|-------|
| POS | CODE | Q.TY | DESCRIPTION | NOTES |
| 1 | 325110409/0 | 1 | Clamp Cover | |
| 2 | 384503013/0 | 1 | Pedal | |
| 3 | 127430594/0 | 1 | Spring | |
| 4 | 384004604/0 | 1 | Wire | |
| 5 | 127510120/0 | 1 | Pin | |
| 6 | 112521350/0 | 1 | Washer | |
| 7 | 124487997/0 | 1 | Cotter Pin | |
| 8 | 112791400/0 | 4 | Screw | |
| 9 | 325785350/0 | 2 | Support | |
| 10 | 325547231/0 | 2 | Plate | |
| 11 | 112154510/0 | 4 | Nut | |
| 12 | 122524970/3 | 1 | Pin | |
| 13 | 384002097/0 | 1 | Brake Control Rod | |
| 14 | 112154210/0 | 1 | Self-Locking Nut | |
| 15 | 127395050/1 | 1 | Knob | |
| 21 | 112691900/0 | 1 | Screw | |
| 22 | 127160065/0 | 1 | Spacer | |
| 23 | 122041980/0 | 1 | Bush | |
| 24 | 327315139/0 | 1 | Tightener Lever | |
| 25 | 112523070/0 | 1 | Washer | |
| 26 | 112155000/0 | 1 | Nut | |
| 27 | 112691115/0 | 1 | Screw | |
| 28 | 112523060/0 | 1 | Washer | |
| 29 | 127604015/0 | 1 | Pulley | |
| 30 | 127160064/0 | 1 | Spacer | |
| 31 | 112155000/0 | 1 | Nut | |
| 32 | 127430594/0 | 1 | Spring | |
| 33 | 112521360/0 | 1 | Washer | |
| 34 | 127510124/0 | 1 | Pin | |
| 41 | 325110274/0 | 1 | Clamp Cover Front | |
| 42 | 384503011/0 | 1 | Drive Pedal | |
| 43 | 325110331/0 | 1 | Clamp Cover Rear | |
| 44 | 327546015/2 | 2 | Plate | |
| 45 | 112731350/0 | 4 | Screw | |
| 46 | 112791400/0 | 1 | Screw | |
| 47 | 127063022/0 | 1 | Plastic Neutral Switch | |
| 48 | 112521330/0 | 1 | Washer | |
| 49 | 112154510/0 | 1 | Nut | |
| 51 | 112155000/0 | 1 | Nut | |
| 52 | 127510103/0 | 1 | Pin | |
| 53 | 112293200/0 | 1 | Hexagonal Nut | |
| 54 | 384002095/0 | 1 | Rod | |
| 55 | 112523040/0 | 1 | Washer | |
| 56 | 112154510/0 | 1 | Nut | |
| 57 | 325670011/0 | 1 | Antifriction Washer | |
| 58 | 112436050/0 | 1 | Plate | |
| 60 | 119410609/0 | 1 | Micro Switch | |
| 61 | 112735602/0 | 2 | Screw | |
| 62 | 112581100/0 | 2 | Grower | |
| 63 | 327543053/1 | 1 | Backup Plate | |
| 64 | 327546019/0 | 1 | Neutral Switch Fixing Plate | |
| 65 | 112540020/0 | 2 | Washer | |
| 66 | 112290791/0 | 2 | Hexagonal Nut | |
| 67 | 112735122/0 | 2 | Screw | |
| 68 | 327772223/0 | 1 | Bracket | |
| 69 | 112791200/1 | 2 | Screw | |
| 70 | 112292102/0 | 2 | Nut | |
| 71 | 112691600/0 | 4 | Screw | |
| 72 | 118400980/0 | 1 | Transmission Unit (HY) | |
| 73 | 112154210/0 | 4 | Self-Locking Nut | |
| 74 | 127160063/0 | 2 | Spacer | |
| 75 | 135061429/0 | 1 | Belt | |
| 76 | 327315137/0 | 1 | Lever | |
| 77 | 112791011/0 | 1 | Screw | |



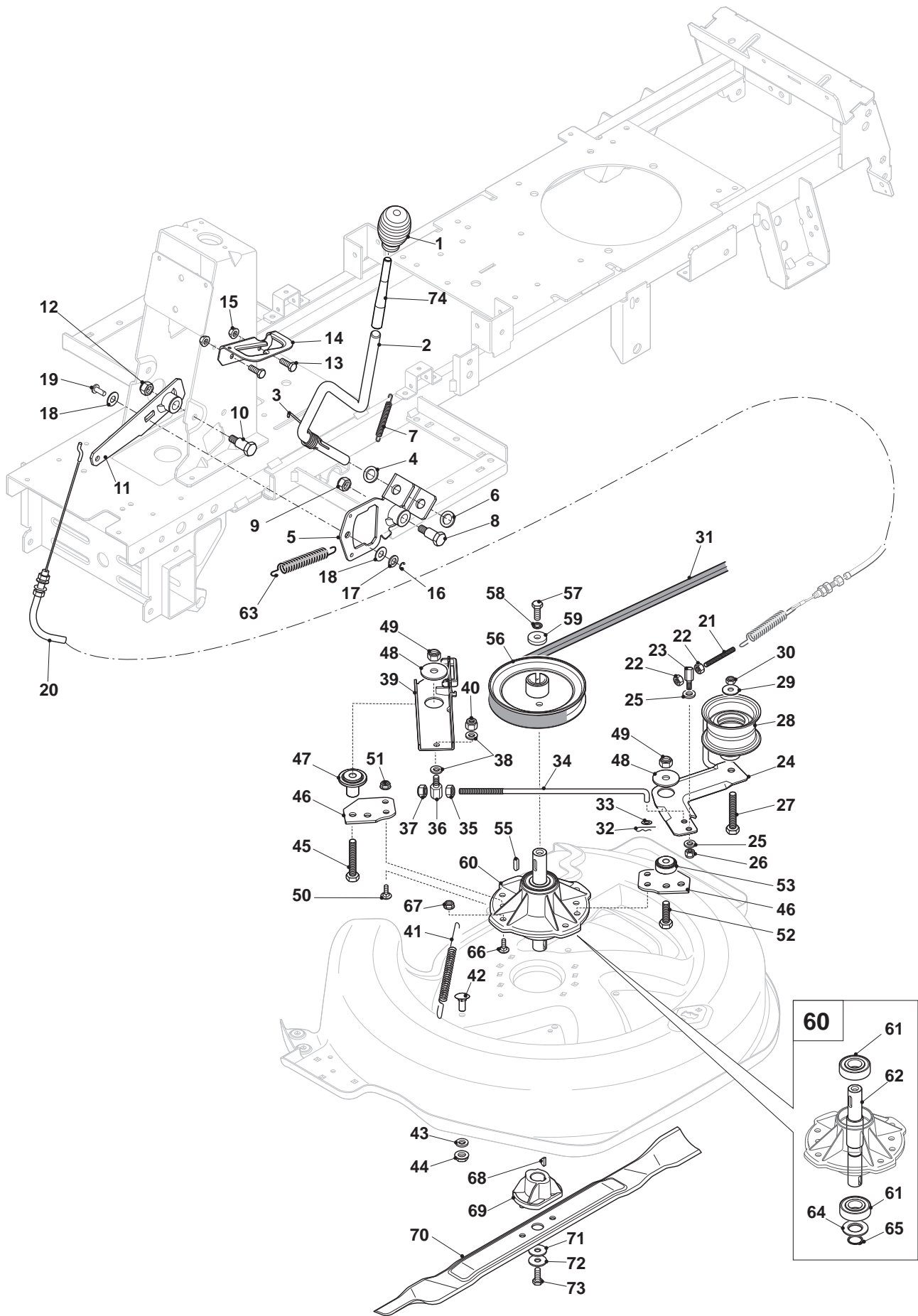
| Trasmissione Hydro | | | | |
|--------------------|-------------|------|----------------------|-------|
| POS | CODE | Q.TY | DESCRIPTION | NOTES |
| 78 | 112154510/0 | 1 | Nut | |
| 79 | 327772187/0 | 1 | Rear Bracket Support | |
| 80 | 112792611/0 | 1 | Screw | |
| 81 | 112155000/0 | 1 | Nut | |
| 82 | 112691400/0 | 1 | Screw | |
| 83 | 112155000/0 | 1 | Nut | |
| 85 | 112735110/0 | 2 | Screw | |
| 86 | 112523030/0 | 2 | Washer | |
| 87 | 327110507/0 | 1 | Cover | |
| 91 | 114361451/0 | 1 | Label | |
| 92 | 118802722/0 | 1 | Fan Kit | |



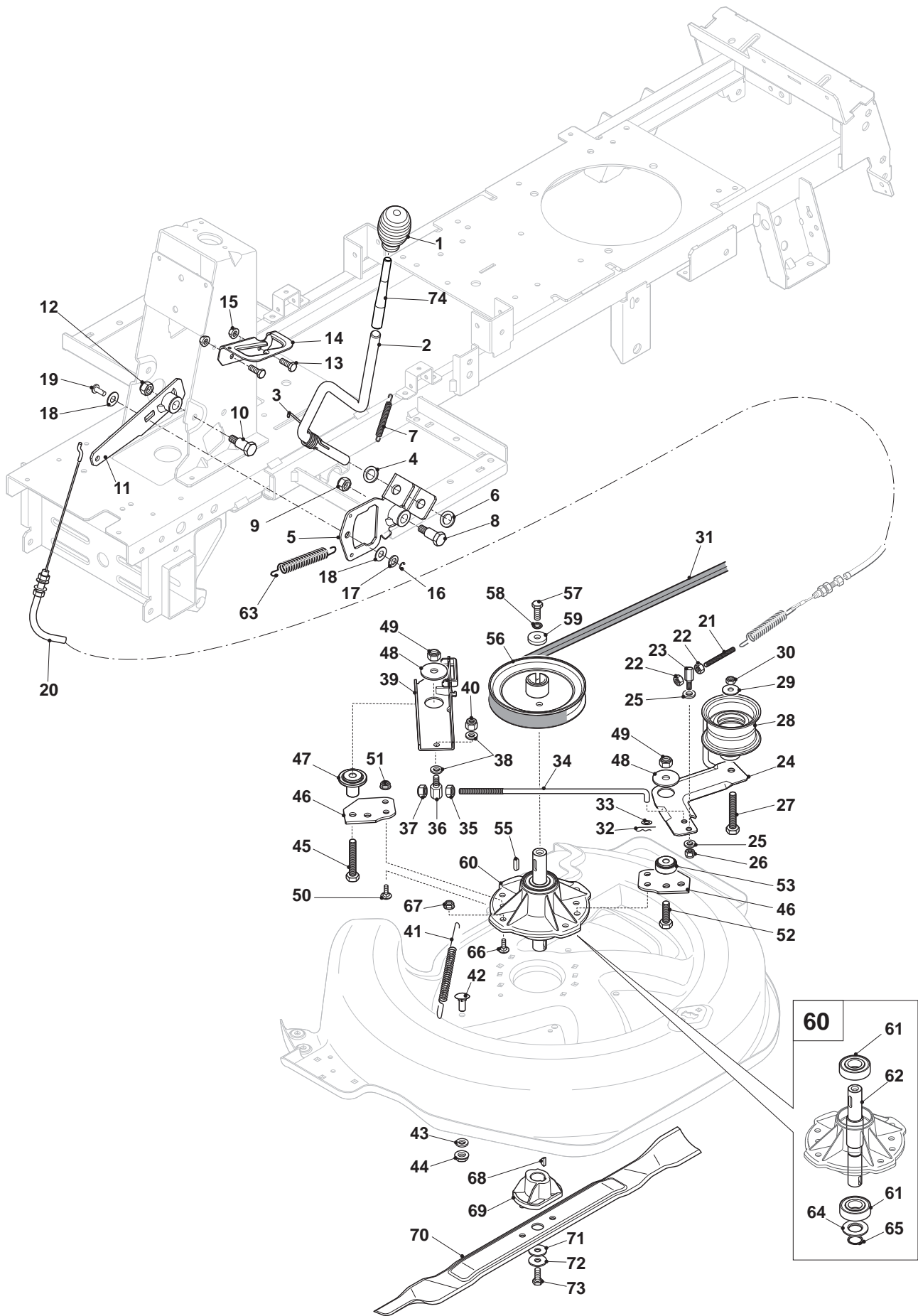
| Cutting Plate and Lifting | | | | |
|---------------------------|-------------|------|-------------------------------------|-------|
| POS | CODE | Q.TY | DESCRIPTION | NOTES |
| 1 | 384564114/0 | 1 | Cutting Plate, Black | |
| 2 | 325033086/0 | 1 | Water Hose Connection | |
| 3 | 119035000/0 | 1 | O.R. Ring 3043 Nbr Standard 2,62X10 | |
| 4 | 384650107/0 | 1 | Stiffening | |
| 5 | 112815200/0 | 4 | Screw | |
| 6 | 112292102/0 | 4 | Nut | |
| 7 | 327488001/0 | 1 | Front Combi | |
| 8 | 112735402/0 | 3 | Screw | |
| 9 | 112818690/0 | 3 | Screw | |
| 10 | 327772175/0 | 1 | Front Bracket | |
| 11 | 112154210/0 | 3 | Self-Locking Nut | |
| 12 | 127294008/0 | 1 | Belt Guide | |
| 13 | 112292102/0 | 4 | Nut | |
| 15 | 127580077/0 | 1 | Belt Guide | |
| 16 | 112293201/0 | 2 | Nut | |
| 17 | 112818690/0 | 4 | Screw | |
| 18 | 327772179/0 | 1 | Bracket, Left | |
| 19 | 327772177/0 | 1 | Bracket, Right | |
| 20 | 112154210/0 | 4 | Self-Locking Nut | |
| 21 | 127510121/0 | 2 | Plate | |
| 22 | 327543043/0 | 1 | Plate | |
| 23 | 112154210/0 | 2 | Self-Locking Nut | |
| 24 | 127840056/0 | 1 | Front Tie Rod | |
| 25 | 112293200/0 | 4 | Hexagonal Nut | |
| 26 | 112585100/0 | 2 | Washer | |
| 28 | 384108054/0 | 1 | Conveyor | |
| 29 | 325774499/0 | 2 | Clamp | |
| 30 | 327107505/0 | 1 | Conveyor | |
| 31 | 112815200/0 | 4 | Screw | |
| 32 | 325160039/0 | 4 | Spacer | |
| 33 | 112292102/0 | 4 | Nut | |
| 41 | 112818690/0 | 2 | Screw | |
| 42 | 112293200/0 | 2 | Hexagonal Nut | |
| 43 | 125394510/0 | 1 | Knob | |
| 44 | 327734063/0 | 1 | Sector, Height Adjustment | |
| 45 | 327315135/0 | 1 | Cutting Deck Lifting Lever | |
| 46 | 127430595/0 | 1 | Spring | |
| 47 | 384001035/1 | 1 | Axle | |
| 48 | 112521370/0 | 1 | Washer | |
| 49 | 122020050/0 | 1 | Ring | |
| 50 | 112791400/0 | 4 | Screw | |
| 51 | 325547231/0 | 2 | Plate | |
| 52 | 325785350/0 | 2 | Support | |
| 53 | 112154510/0 | 4 | Nut | |
| 54 | 384004600/0 | 1 | Lifting Wire | |
| 55 | 112691100/0 | 2 | Screw | |
| 56 | 125601579/0 | 2 | Pulley | |
| 57 | 125040636/1 | 2 | Bush | |
| 58 | 327543037/0 | 2 | Guide Shoe | |
| 59 | 112523060/0 | 2 | Washer | |
| 60 | 112293201/0 | 2 | Nut | |
| 61 | 384001037/0 | 1 | Axle | |
| 62 | 127510125/0 | 1 | Pin | |
| 63 | 322672152/0 | 1 | Antifricition Washer | |
| 64 | 112155000/0 | 2 | Nut | |
| 65 | 127840057/0 | 1 | Tie Rod | |
| 66 | 112295200/0 | 4 | Hexagonal Nut | |
| 68 | 322672152/0 | 2 | Antifricition Washer | |
| 69 | 125110803/0 | 1 | Cotter Pin | |
| 70 | 127510114/0 | 1 | Pin | |
| 71 | 325670008/1 | 1 | Washer | |
| 72 | 112521360/0 | 1 | Washer | |



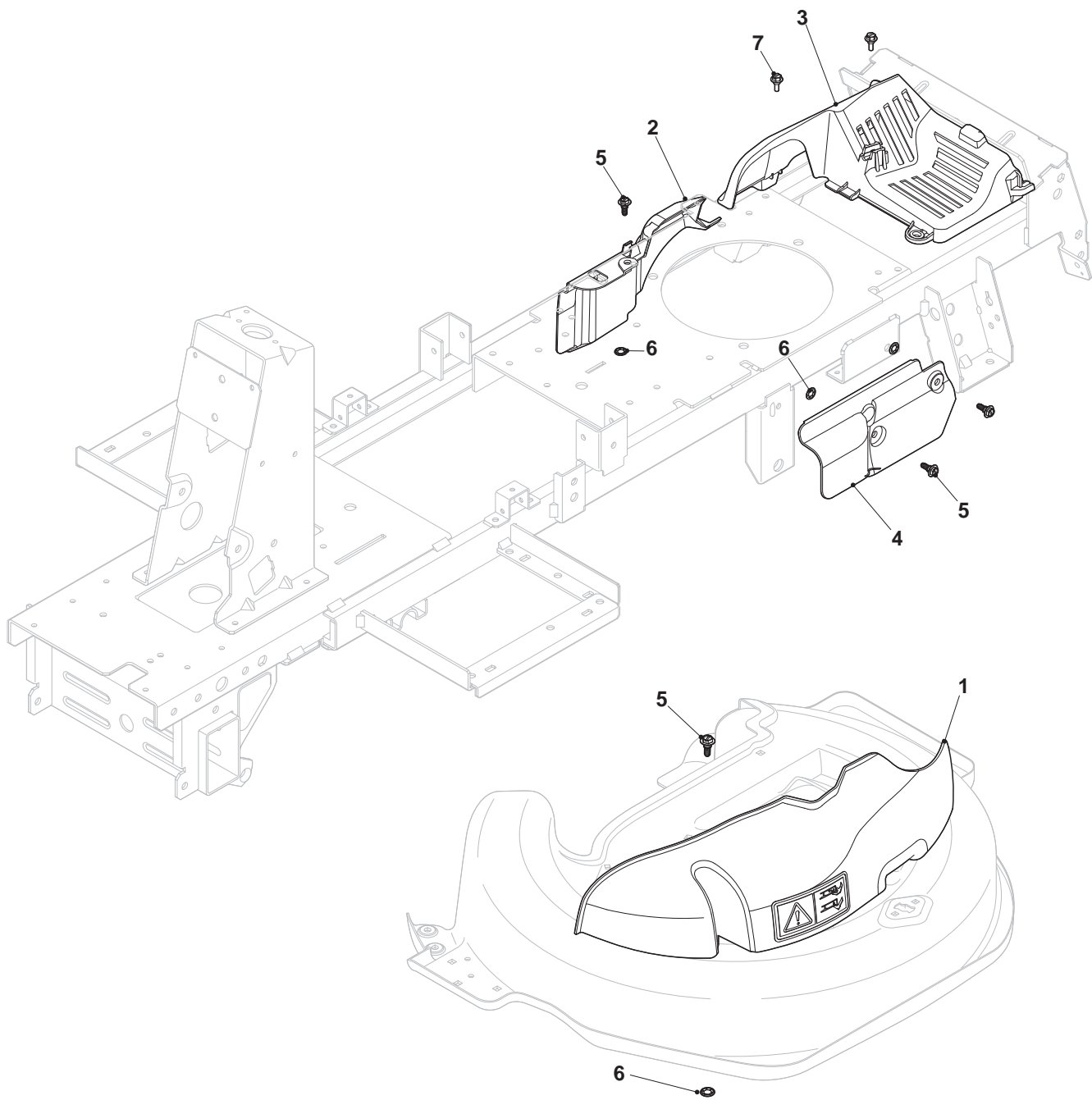
| Cutting Plate and Lifting | | | | |
|---------------------------|-------------|------|-------------|-------|
| POS | CODE | Q.TY | DESCRIPTION | NOTES |
| 75 | 127510123/0 | 2 | Pin | |
| 76 | 112521360/0 | 2 | Washer | |
| 77 | 112156602/0 | 2 | Nut | |



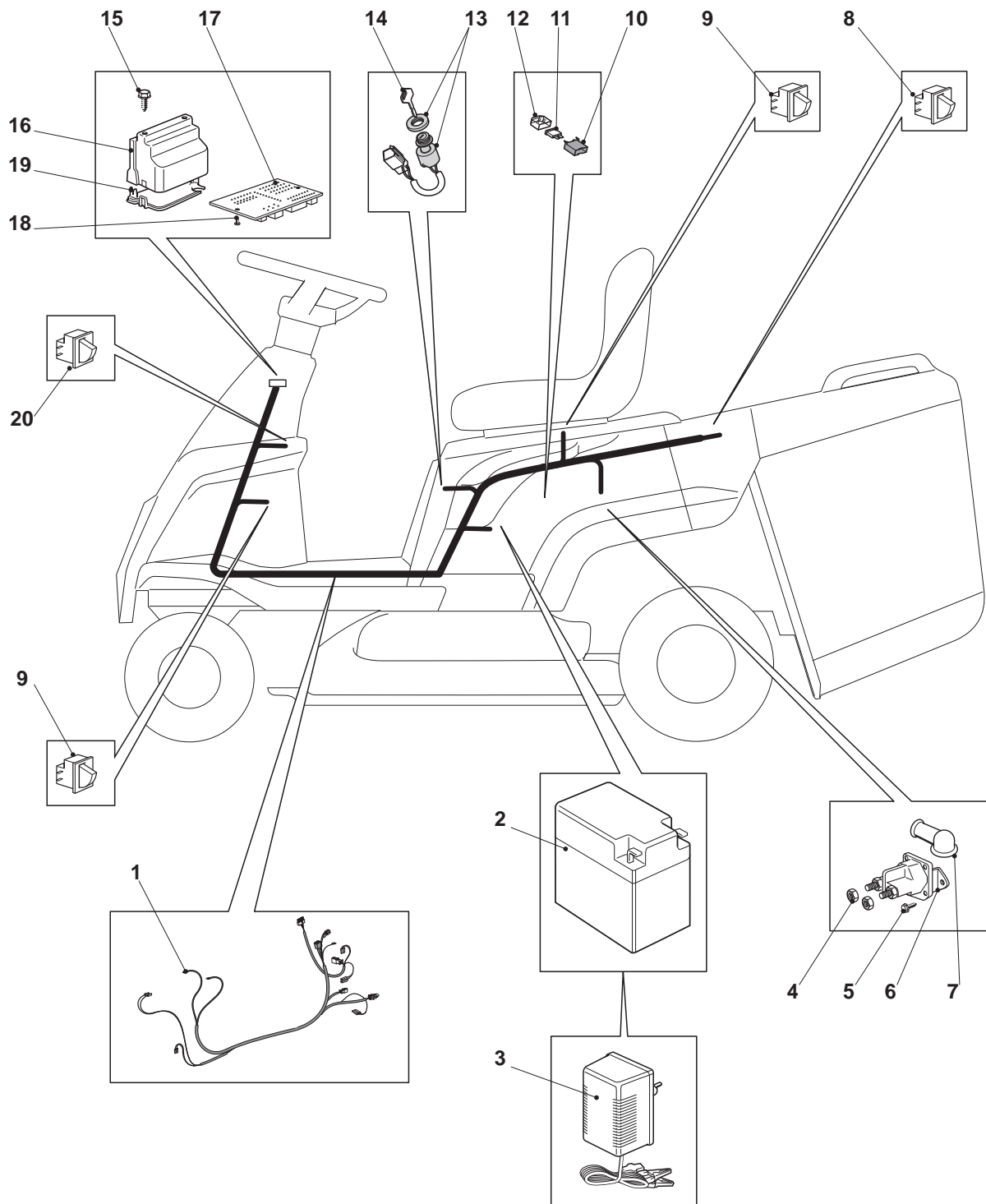
| Blades Engagement | | | | |
|-------------------|-------------|------|------------------------|-------|
| POS | CODE | Q.TY | DESCRIPTION | NOTES |
| 1 | 125394510/0 | 1 | Knob | |
| 2 | 327315149/0 | 1 | Lever | |
| 3 | 127430595/0 | 1 | Spring | |
| 4 | 112521370/0 | 1 | Washer | |
| 5 | 384317099/0 | 1 | Lever | |
| 6 | 122020050/0 | 1 | Ring | |
| 7 | 125430208/1 | 1 | Spring | |
| 8 | 127510122/0 | 1 | Bracket | |
| 9 | 112154210/0 | 1 | Self-Locking Nut | |
| 10 | 127510122/0 | 1 | Bracket | |
| 11 | 384773577/0 | 1 | Bracket | |
| 12 | 112154210/0 | 1 | Self-Locking Nut | |
| 13 | 112815200/0 | 2 | Screw | |
| 14 | 327734065/0 | 1 | Sector | |
| 15 | 112292102/0 | 2 | Nut | |
| 16 | 112000930/0 | 1 | Benzing Ring | |
| 17 | 112521350/0 | 1 | Washer | |
| 18 | 325670011/0 | 2 | Antifriction Washer | |
| 19 | 125510085/1 | 1 | Pin | |
| 20 | 384004606/0 | 1 | Blades Engagement Wire | |
| 21 | 127840058/1 | 1 | Spring | |
| 22 | 112293200/0 | 2 | Hexagonal Nut | |
| 23 | 127510126/0 | 1 | Pin | |
| 24 | 384307001/0 | 1 | Tightener Lever | |
| 25 | 325670011/0 | 2 | Antifriction Washer | |
| 26 | 112155000/0 | 1 | Nut | |
| 27 | 112691600/0 | 1 | Screw | |
| 28 | 127604008/0 | 1 | Pulley | |
| 29 | 112523060/0 | 1 | Washer | |
| 30 | 112155000/0 | 1 | Nut | |
| 31 | 135061428/0 | 1 | Belt | |
| 32 | 124487995/0 | 1 | Cotter Pin | |
| 33 | 325670011/0 | 1 | Antifriction Washer | |
| 34 | 127034085/0 | 1 | Rod | |
| 35 | 112293200/0 | 1 | Hexagonal Nut | |
| 36 | 127510126/0 | 1 | Pin | |
| 37 | 112155000/0 | 1 | Nut | |
| 38 | 325670011/0 | 2 | Antifriction Washer | |
| 39 | 384220505/0 | 1 | Blade Brake | |
| 40 | 112155000/0 | 1 | Nut | |
| 41 | 127430592/0 | 1 | Spring | |
| 42 | 112818690/0 | 1 | Screw | |
| 43 | 112521350/0 | 1 | Washer | |
| 44 | 112293201/0 | 1 | Nut | |
| 45 | 112692395/1 | 1 | Screw | |
| 46 | 327772191/0 | 2 | Bracket | |
| 47 | 127047021/0 | 1 | Bush | |
| 48 | 112523090/0 | 2 | Washer | |
| 49 | 112155020/0 | 2 | Self-Locking Nut | |
| 50 | 112818700/0 | 4 | Screw | |
| 51 | 112154210/0 | 4 | Self-Locking Nut | |
| 52 | 112794400/0 | 1 | Screw | |
| 53 | 127047017/0 | 1 | Bush | |
| 55 | 112139480/0 | 1 | Feather | |
| 56 | 127604014/0 | 1 | Pulley | |
| 57 | 112793102/0 | 1 | Screw | |
| 58 | 112583500/0 | 1 | Grower | |
| 59 | 125670007/0 | 1 | Washer | |
| 60 | 384207251/0 | 1 | Blade Shaft Support | |
| 61 | 119216040/0 | 2 | Bearing | |
| 62 | 127023003/0 | 1 | Shaft | |
| 63 | 125430259/0 | 1 | Spring | |
| 64 | 325160501/0 | 1 | Dust Cover Disc | |
| 65 | 112609260/0 | 1 | Seeger | |



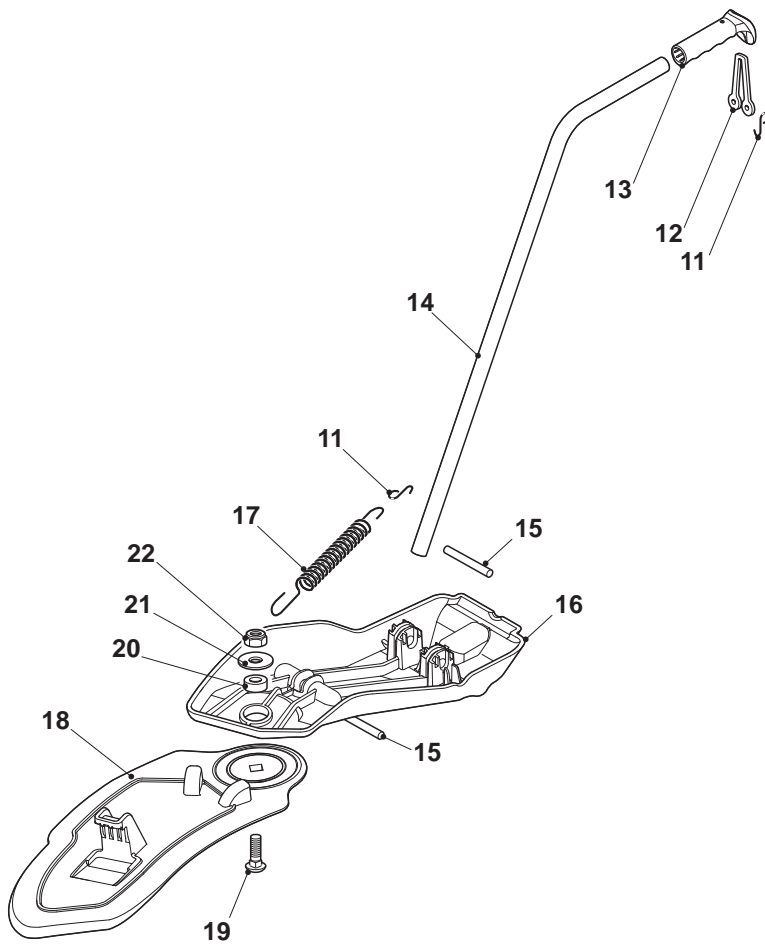
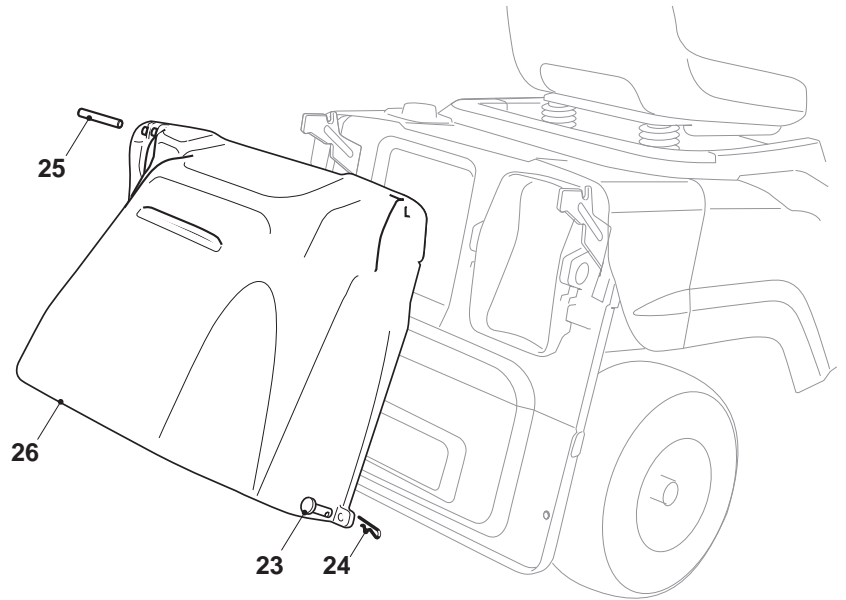
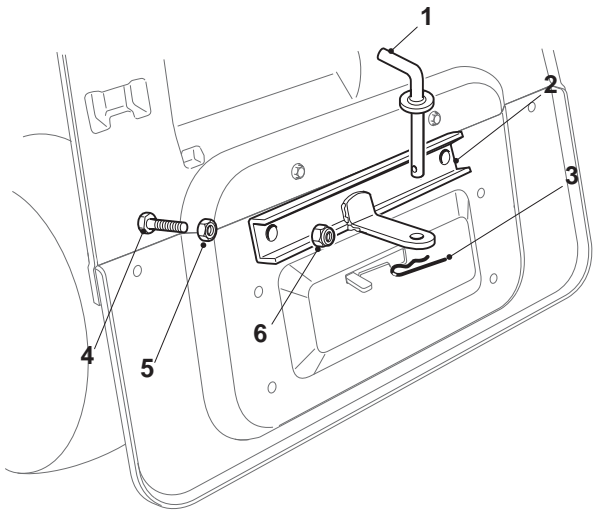
| Blades Engagement | | | | |
|--------------------------|-------------|-------------|--------------------|--------------|
| POS | CODE | Q.TY | DESCRIPTION | NOTES |
| 66 | 112818700/0 | 4 | Screw | |
| 67 | 112154210/0 | 4 | Self-Locking Nut | |
| 68 | 112139100/0 | 1 | Key | |
| 69 | 125463200/0 | 1 | Blade Hub | |
| 70 | 184109505/0 | 1 | Blade | |
| 71 | 112508125/0 | 1 | Spring | |
| 72 | 112523080/0 | 1 | Washer | |
| 73 | 112735694/0 | 1 | Screw | |
| 74 | 327315151/1 | 1 | Lever | |



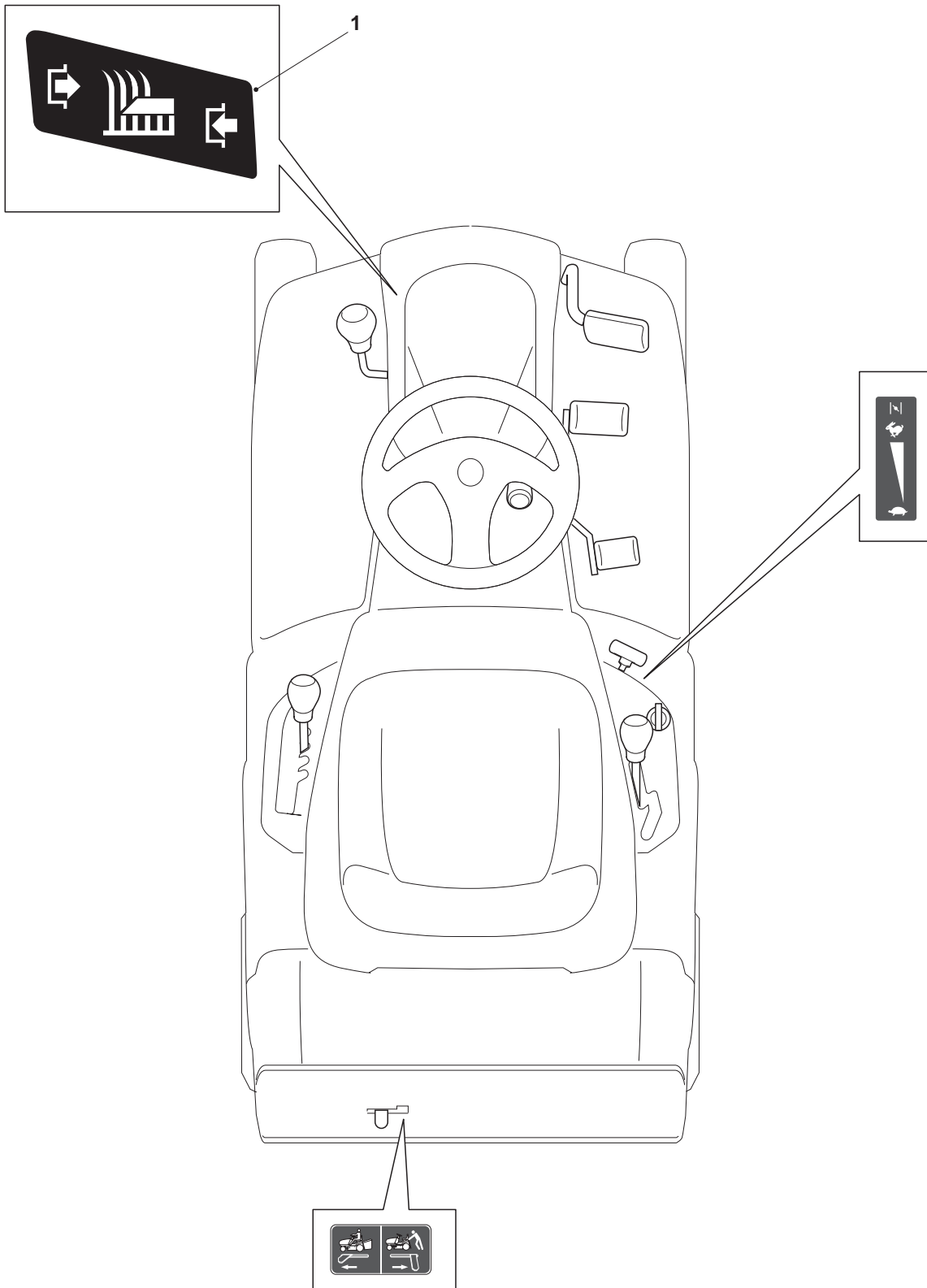
| Guards | | | | |
|---------------|-------------|-------------|-------------------------------|--------------|
| POS | CODE | Q.TY | DESCRIPTION | NOTES |
| 1 | 327060111/1 | 1 | Protection Carter | |
| 2 | 327060109/0 | 1 | Right Belt Protection Carter | |
| 3 | 327060108/1 | 1 | Transmission Plate Protection | |
| 4 | 327060110/0 | 1 | Left Belt Protection Carter | |
| 5 | 125943011/0 | 5 | Screw | |
| 6 | 112604899/0 | 4 | Crown Fastener | |
| 7 | 125943010/0 | 2 | Screw | |



| Electric Start | | | | |
|----------------|-------------|------|--------------------------------|---------|
| POS | CODE | Q.TY | DESCRIPTION | NOTES |
| 1 | 184040132/1 | 1 | Cables Ass.Y | |
| 2 | 118120012/0 | 1 | Battery | |
| 3 | 182180051/0 | 1 | Battery Charger Kit | CE plug |
| 4 | 112360352/0 | 2 | Nut | |
| 5 | 112735110/0 | 2 | Screw | |
| 6 | 118736110/0 | 1 | Starter Relay | |
| 7 | 118564861/1 | 2 | Protection | |
| 8 | 119410618/0 | 1 | Micro Switch | |
| 9 | 119410606/0 | 2 | Micro Switch | |
| 10 | 133500007/0 | 1 | Fuse Carrier | |
| 11 | 133340040/0 | 1 | Lamellar Fusible 10A | |
| 12 | 133215000/0 | 1 | Cover | |
| 13 | 118450075/1 | 1 | Starting Switch | |
| 14 | 118210023/0 | 1 | Starting Key | |
| 15 | 112728711/0 | 2 | Screw | |
| 16 | 127600119/0 | 1 | Electronis Card Upper Protecti | |
| 17 | 127722354/1 | 1 | Electronic Card EI63 | |
| 18 | 112729601/1 | 2 | Screw | |
| 19 | 127600118/0 | 1 | Electronic Card Lower Protecti | |
| 20 | 119410614/0 | 1 | Micro Switch | |



| Accessories | | | | |
|-------------|-------------|------|-----------------------|-------|
| POS | CODE | Q.TY | DESCRIPTION | NOTES |
| 1 | 125510021/1 | 1 | Hitch Pin | |
| 2 | 382033109/0 | 1 | Rod | |
| 3 | 124487999/0 | 1 | Spring Pin | |
| 4 | 112794300/0 | 2 | Screw | |
| 5 | 112295200/0 | 2 | Hexagonal Nut | |
| 6 | 112156602/0 | 2 | Nut | |
| 11 | 125253004/0 | 3 | Mulch.Kit Fixing Hook | |
| 12 | 125840011/1 | 1 | Tie Rod | |
| 13 | 325280000/1 | 1 | Handgrip | |
| 14 | 327394003/2 | 1 | Handle | |
| 15 | 127510116/0 | 2 | Pin | |
| 16 | 327140058/0 | 1 | Deflector, Rear | |
| 17 | 125430218/1 | 1 | Spring | |
| 18 | 327140057/0 | 1 | Deflector, Front | |
| 19 | 112818700/0 | 1 | Screw | |
| 20 | 127047013/0 | 1 | Bush | |
| 21 | 322672152/0 | 1 | Antifriction Washer | |
| 22 | 112155000/0 | 1 | Nut | |
| 23 | 125510022/1 | 2 | Pin | |
| 24 | 124487998/0 | 2 | Cotter pin | |
| 25 | 127510127/0 | 2 | Pin | |
| 26 | 327600181/0 | 1 | Stone Guard, Black | |



| Electric Start | | | | |
|----------------|-------------|------|-------------|-------|
| POS | CODE | Q.TY | DESCRIPTION | NOTES |
| 1 | 114366875/0 | 1 | Label | |