



www.stiga.com

Illustrated Parts List

for model:

ESTATE 4092

- Use GLOBAL GARDEN PRODUCT genuine spare parts specified in the parts list for repair and/or replacement.
- Then contents described in the parts list may change due to improvement.
- The drawings of the spare part are only indicative and might not represent the part in question exactly.
- The indications "right" - "left" - "front" - "rear" refer to the position of the operator when using the machine.
- When placing orders of parts for repair and/or replacement, make sure that the illustrated parts list is the one applying to the machine's year of manufacture, as shown on the identification plate attached to the machine.

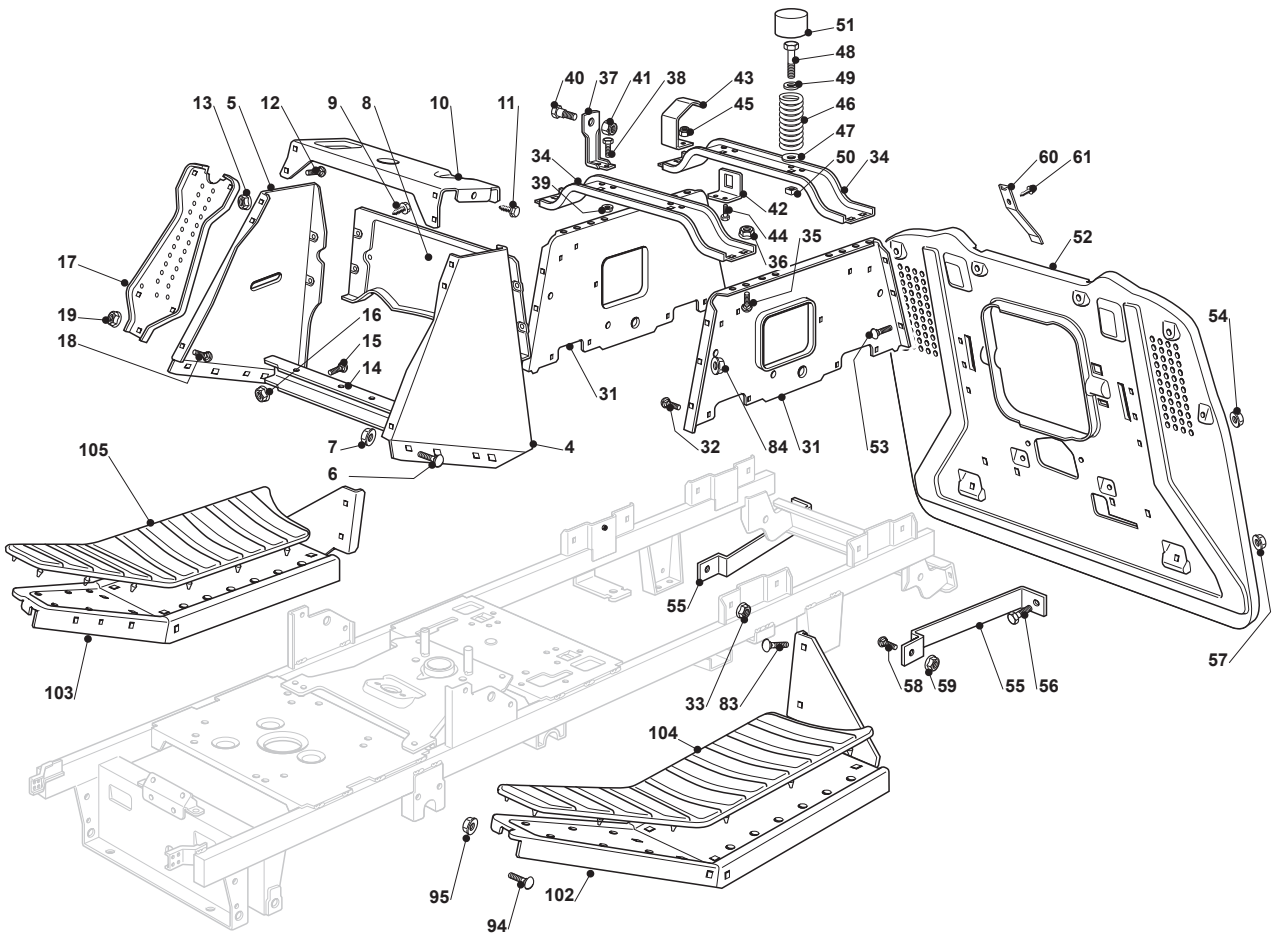
© Copyright 2014 Global Garden Products

All content is subject to copyright by Global Garden Products and may not be reproduced in whole or in part by any means, electronic or otherwise, without prior written approval.

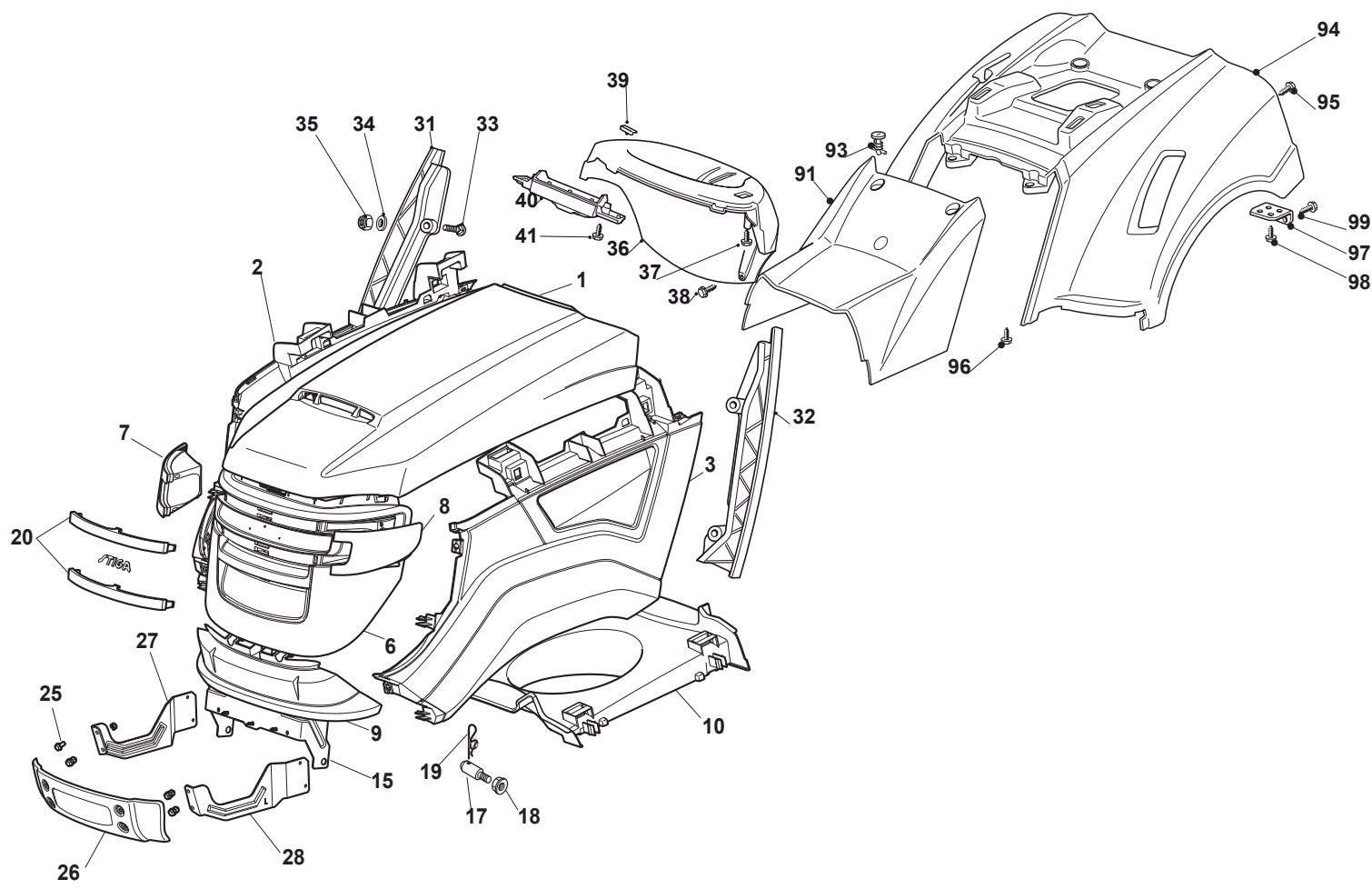
THIS INFORMATION IS NOT INTENDED FOR SALE OR RESALE, AND THIS NOTICE MUST REMAIN ON ALL COPIES.

www.ggp-group.com

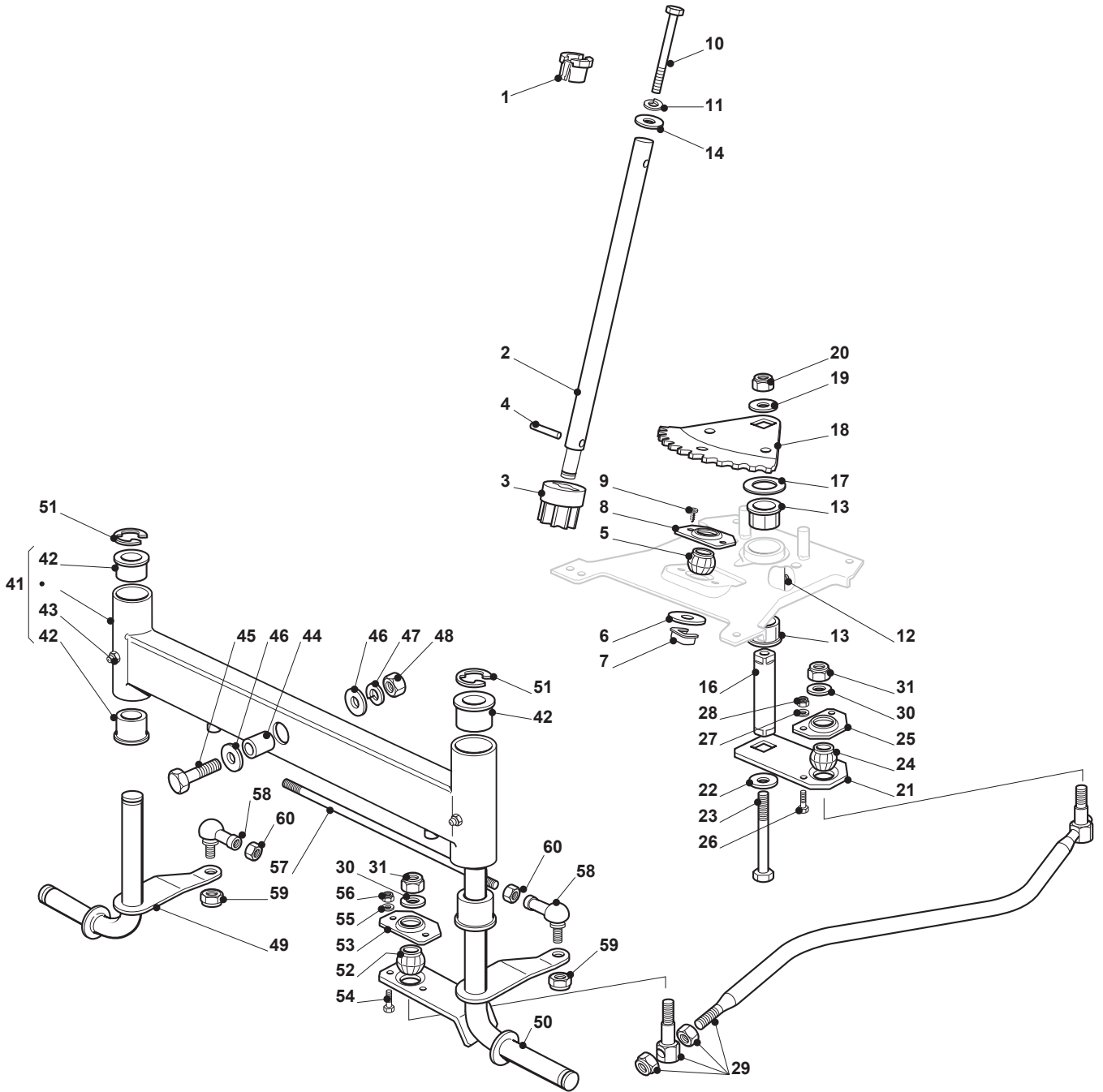




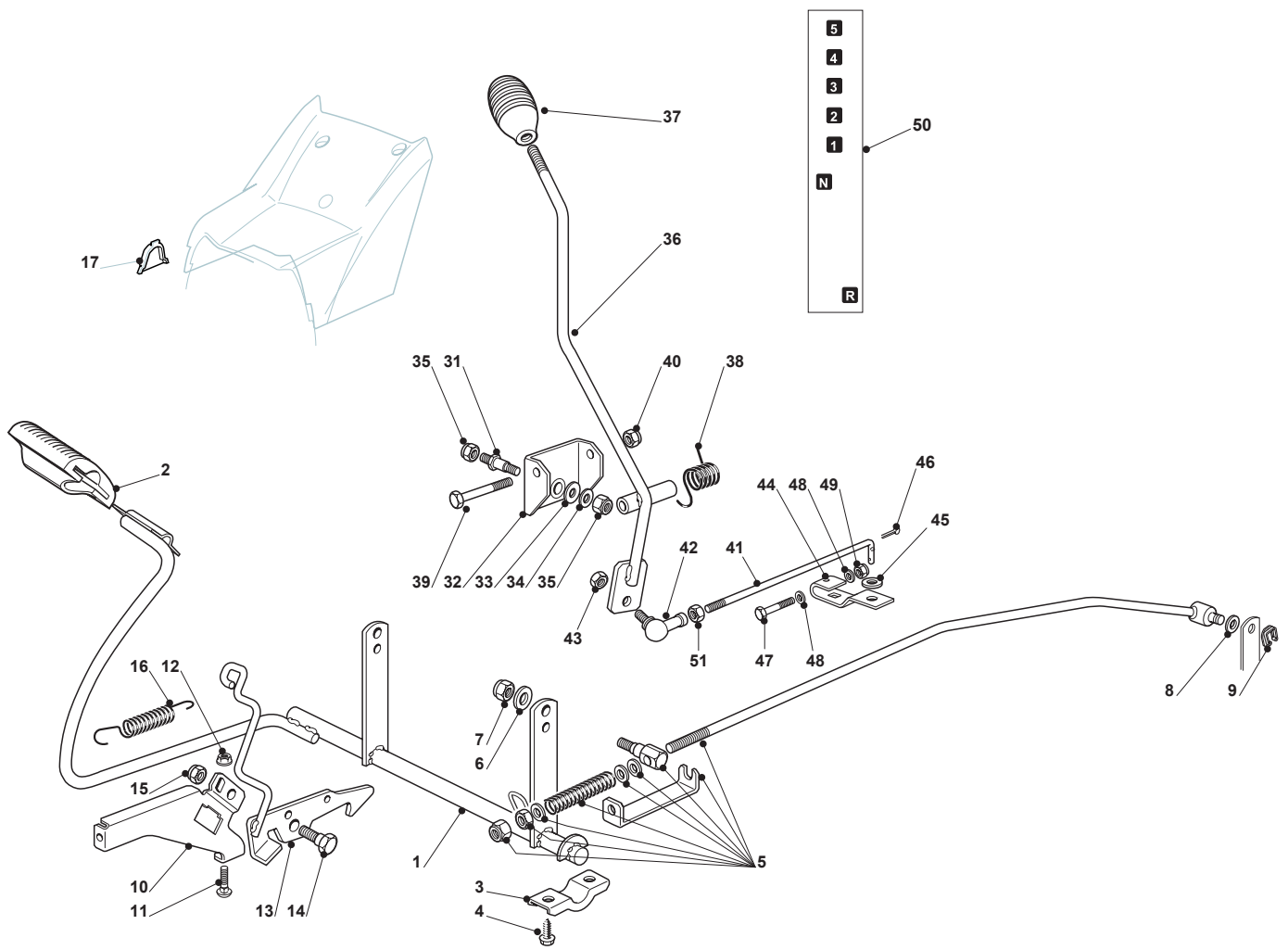
Frame				
POS	CODE	Q.TY	DESCRIPTION	NOTES
4	325785243/1	1	Left Dashboard Support	
5	325785245/0	1	Right Dashboard Support	
6	112818690/0	4	Screw	
7	112293201/0	4	Nut	
8	382785151/2	1	Rear Dashboard Support	
9	112735110/0	4	Screw	
10	325785255/0	1	Central Dashboard Support	
11	112735110/0	2	Screw	
12	112815200/0	4	Screw	
13	112292102/0	4	Nut	
14	325785241/0	1	Support	
15	112815200/0	2	Screw	
16	112292102/0	2	Nut	
17	382785153/1	2	Front Dashboard Support	
18	112815200/0	2	Screw	
19	112292102/0	2	Nut	
31	325785249/1	2	Seat Support	
32	112815200/0	8	Screw	
33	112292102/0	8	Nut	
34	325785257/1	2	Seat Support	
35	112818690/0	8	Screw	
36	112293201/0	8	Nut	
37	325755039/0	2	Bracket	
38	112792611/0	4	Screw	
39	112293201/0	4	Nut	
40	122524970/2	2	Fulcrum Pin	
41	112155010/0	2	Self-Locking Nut	
42	325755043/0	1	Bracket	
43	325430253/0	1	Spring	
44	112789000/0	2	Screw	
45	112154330/0	2	Low Self-Locking Nut	
46	125430257/1	2	Spring	
47	112523070/0	2	Washer	
48	112760515/0	2	Screw	
49	122671653/0	2	Washer	
50	112360425/0	2	Nut	
51	325122000/2	2	Spring	
52	382547041/1	1	Plate	
53	112792611/0	6	Screw	
54	112293201/0	6	Nut	
55	325650119/0	2	Plate Stiffening	
56	112792611/0	2	Screw	
57	112293201/0	2	Nut	
58	112792611/0	2	Screw	
59	112293201/0	2	Nut	
60	125430276/0	1	Spring	
61	112735110/0	1	Screw	
83	112792611/0	4	Screw	
84	112293201/0	4	Nut	
94	112815200/0	4	Screw	
95	112292102/0	4	Nut	
102	382510083/0	1	Left Footboard Support	
103	382510081/0	1	Right Footboard Support	
104	325110327/0	1	Left Footboard Cover	
105	325110326/0	1	Right Footboard Cover	



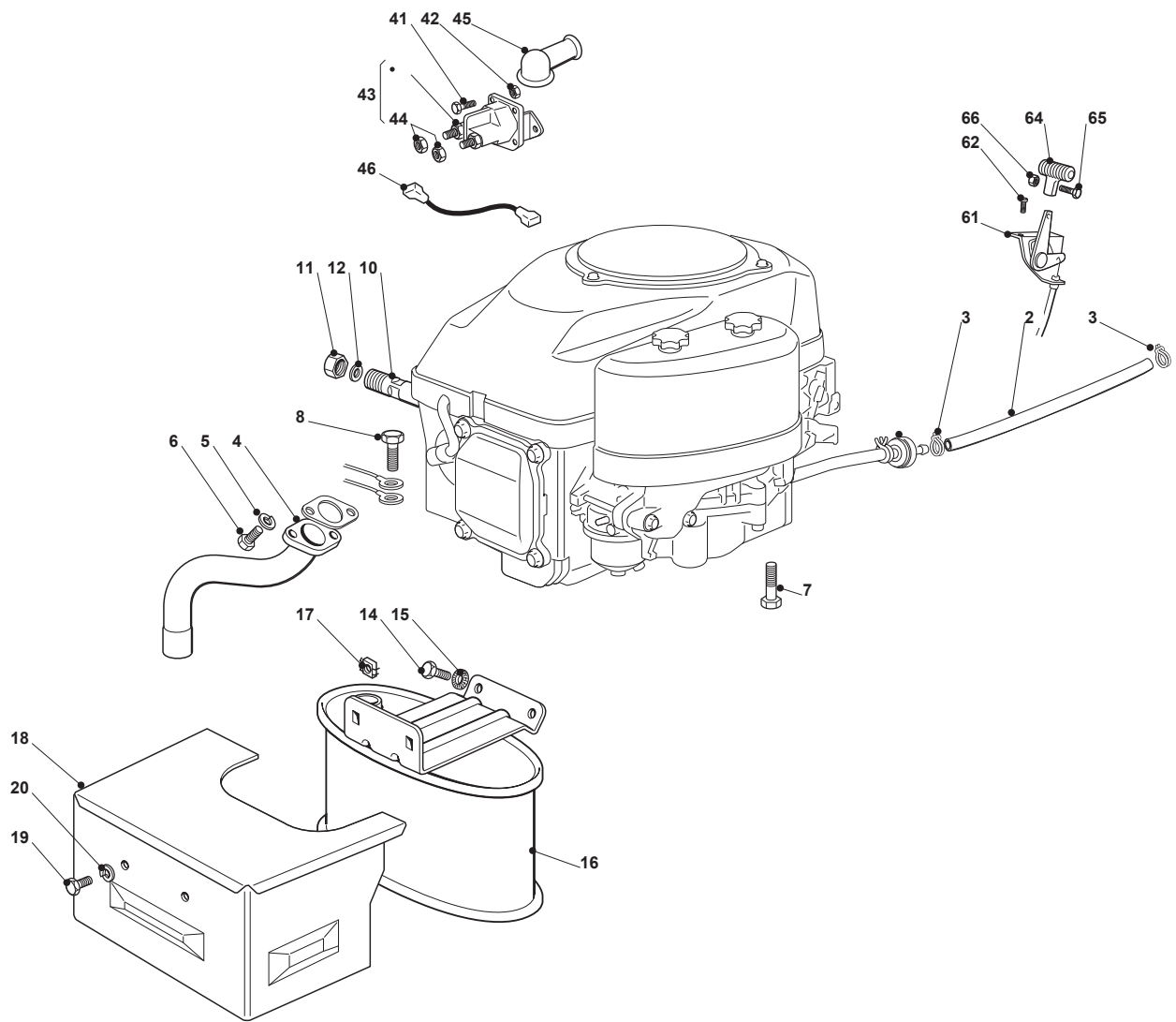
Body				
POS	CODE	Q.TY	DESCRIPTION	NOTES
1	325076866/0	1	Upper Engine Hood, Yellow	
2	382394645/0	1	Hood, Right	
3	382394646/0	1	Hood, Left	
6	325076953/0	1	Lower Grey Hood, Front	
7	382185500/0	1	Right Lamp Light	
8	382185501/0	1	Left Lamp Light	
9	325076959/0	1	Lower Grey Hood, Front	
10	325108031/0	1	Conveyor	
11	112735403/0	6	Screw	
15	325774301/2	1	Engine Hood Support	
16	112735403/0	5	Screw	
17	125510079/1	2	Pin	
18	112293201/0	2	Nut	
19	124487998/0	2	Cotter Pin	
20	325076956/0	1	Frontal Moulding	
24	325547159/1	2	Plate	
25	112800815/0	4	Screw	
26	382263503/0	1	Bumper	
27	382785259/0	1	Right Support	
28	382785261/0	1	Left Support	
31	325599012/0	1	Right Dashboard Support	
32	325599013/0	1	Left Dashboard Support	
33	112815221/0	4	Screw	
34	112521330/0	4	Washer	
35	112154510/0	4	Nut	
36	325120188/2	1	Dashboard	
37	112728440/0	2	Screw	
38	112735402/0	2	Screw	
39	125260000/0	2	Grommet	
40	325600074/0	1	Card Protection	
41	112735402/0	2	Screw	
91	325110365/0	1	Cover, Yellow	
93	125580020/2	2	Pin	
94	325110323/0	1	Yellow Wheels Cover	
95	112735402/0	4	Screw	
96	112735402/0	2	Screw	
97	325755041/0	2	Bracket	
98	112728686/0	4	Screw	
99	112735110/0	2	Screw	



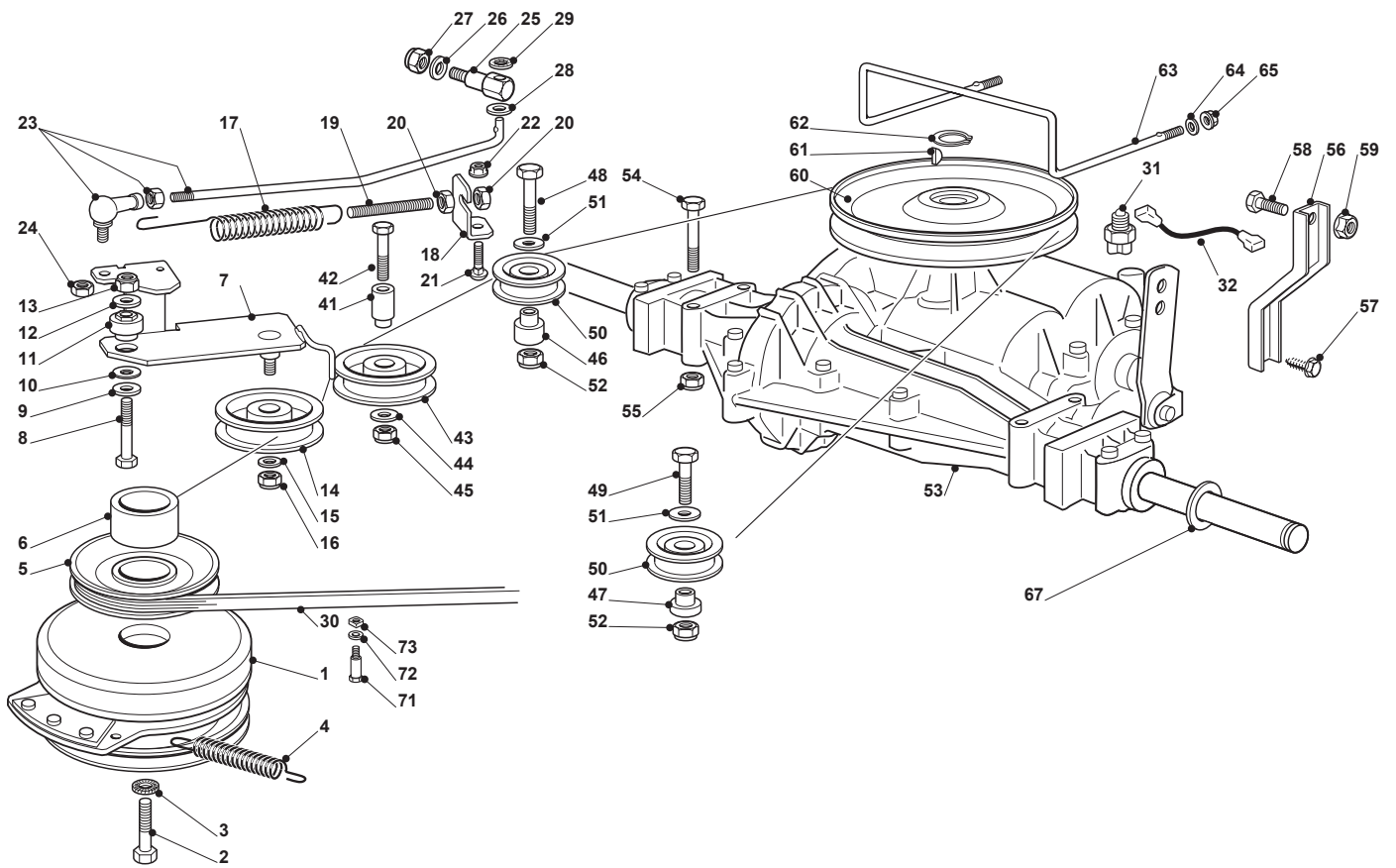
Steering				
POS	CODE	Q.TY	DESCRIPTION	NOTES
1	325038004/0	1	Bush	
2	125520014/0	1	Steering Column	
3	127570050/0	1	Pinion	
4	112622650/0	1	Pin	
5	325743000/0	1	Joint Tc/Junior	
6	112521370/0	1	Washer	
7	112436030/0	1	Plate	
8	325785213/1	1	Support	
9	112729601/1	2	Screw	
10	112691800/0	1	Screw	
11	112583500/0	1	Grower	
12	112379511/0	1	Grease Dispenser	
13	325040624/0	2	Bushing	
14	112523060/0	1	Washer	
16	125510092/0	1	Pin	
17	125670019/0	1	Washer	
18	325735513/0	1	Steering Shaft	
19	112523080/0	1	Washer	
20	112155020/0	1	Nut	
21	325318205/0	1	Lever	
22	112523080/0	1	Washer	
23	112794985/0	1	Screw	
24	325743000/0	1	Joint Tc/Junior	
25	325785213/1	1	Support	
26	112791213/1	2	Screw	
27	112521330/0	2	Washer	
28	112154510/0	2	Nut	
29	382000539/1	1	Steering Rod	
30	112523070/0	2	Washer	
31	112155010/0	2	Nut	
41	382034024/1	1	Equalizer W/ Bush And Lubricator	
42	125034002/1	4	Bush	
43	112379511/0	2	Grease Dispenser	
44	125160016/0	1	Equalizer Spacer	
45	112692695/0	1	Screw	
46	112523100/0	2	Washer	
47	112587100/0	1	Grower	
48	112295300/0	1	Nut	
49	382230363/0	1	Right Stub Axle	
50	382230365/0	1	Left Stub Axle	
51	112001000/0	2	Benzing Ring	
52	325743000/0	1	Joint Tc/Junior	
53	325785213/1	1	Support	
54	112791213/1	2	Screw	
55	112521330/0	2	Washer	
56	112154510/0	2	Nut	
57	125840023/0	1	Tie Rod	
58	122746609/0	2	Joint	
59	112156602/0	2	Nut	
60	112295201/0	2	Nut	



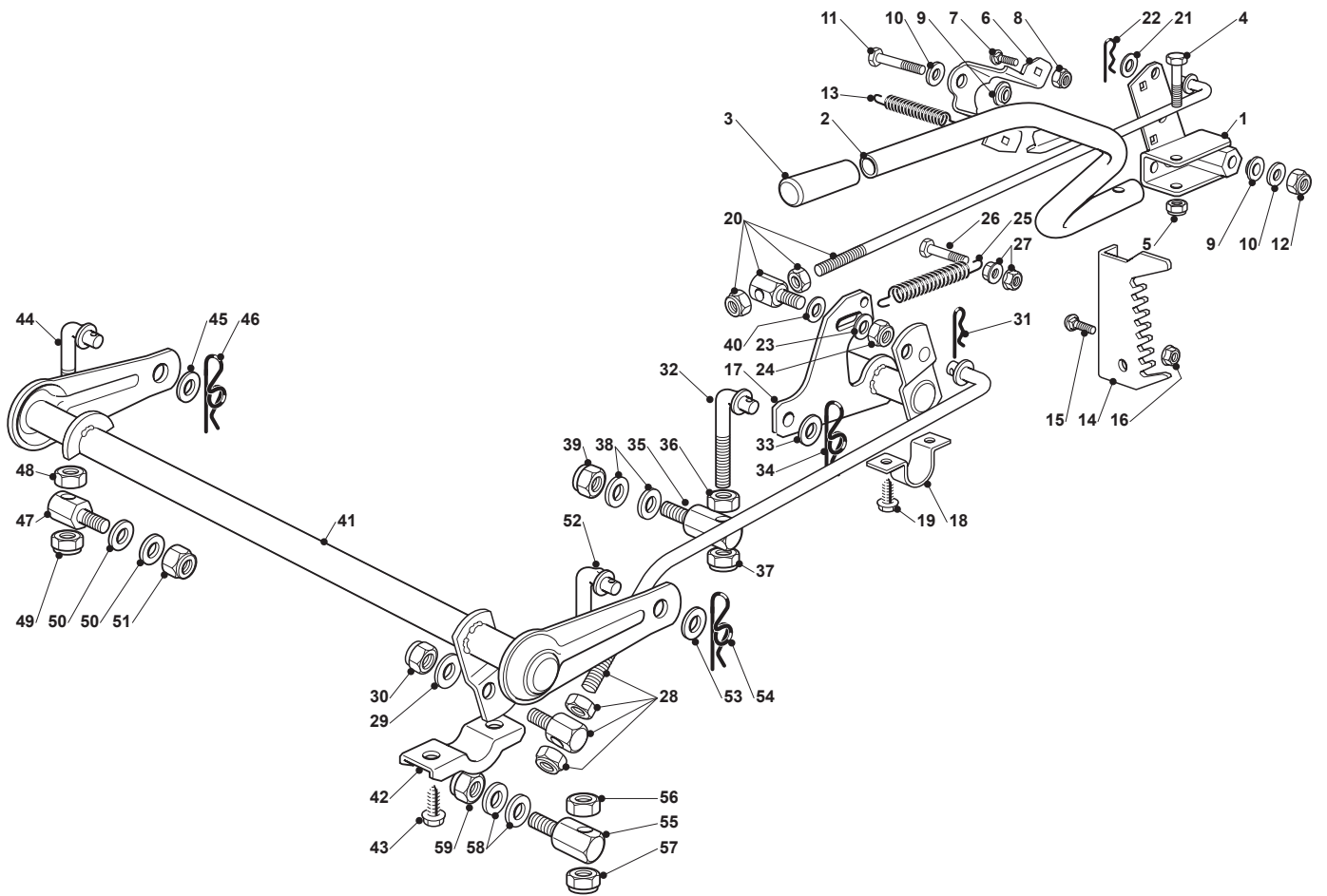
Brake And Gearbox Controls				
POS	CODE	Q.TY	DESCRIPTION	NOTES
1	382500027/1	1	Pedal	
2	125110269/0	1	Clamp Cover	
3	327546015/2	2	Plate	
4	112729601/1	4	Screw	
5	382000540/1	1	Rod (Peerless)	
6	112523040/0	1	Washer	
7	112154510/0	1	Nut	
8	112521350/0	1	Washer	
9	112436050/0	1	Plate	
10	325785261/0	1	Support	
11	112815200/0	2	Screw	
12	112292102/0	2	Nut	
13	382000531/0	1	Rod	
14	122524970/2	1	Fulcrum Pin	
15	112155000/0	1	Nut	
16	125430213/0	1	Spring	
17	325207172/0	1	Plate	
31	125510035/0	1	Pin	
32	382774247/0	1	Clamp	
33	322672152/0	1	Antifriction Washer	
34	112523060/0	1	Washer	
35	112155010/0	2	Self-Locking Nut	
36	382318215/0	1	Gearshift	
37	125394510/0	1	Knob	
38	125430258/0	1	Spring	
39	112692050/0	1	Screw	
40	112155000/0	1	Nut	
41	125033012/0	1	Rod (Peerless)	
42	122746610/0	1	Joint	
43	112155000/0	1	Nut	
44	325318128/1	1	Gear Lever	
45	112521340/0	1	Washer	
46	112141418/0	1	Cotter Pin	
47	112735520/0	1	Screw	
48	112540040/0	1	Washer	
49	112154510/0	1	Nut	
50	114361447/0	1	Label	
51	112293200/0	1	Hexagonal Nut	



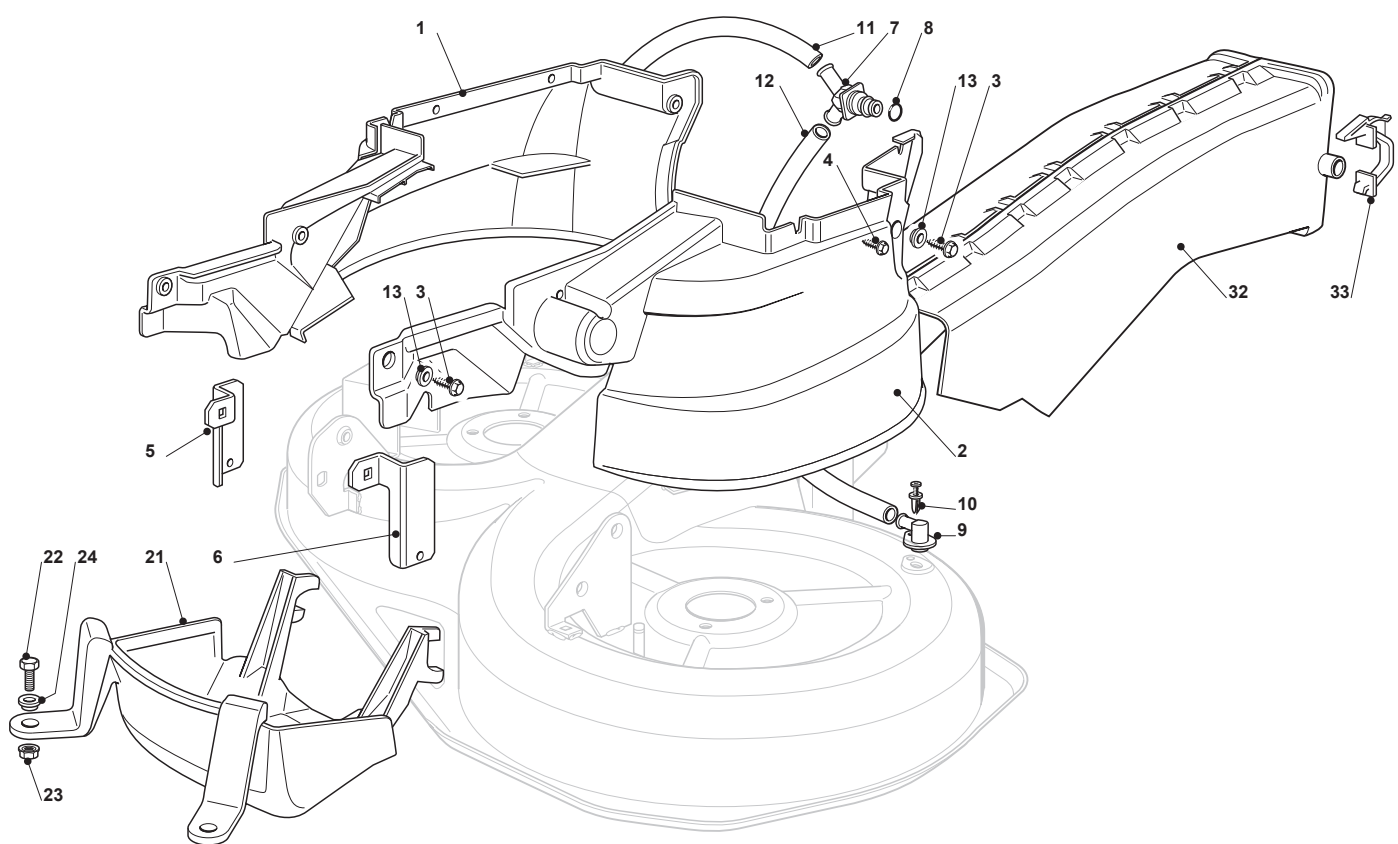
Engine - GGP				
POS	CODE	Q.TY	DESCRIPTION	NOTES
2	325869057/0	1	Connecting Tube	
3	118375051/1	4	Fair Led	
4	118738231/1	1	Exhaust Tube	
5	112583500/0	2	Grower	
6	112737450/0	2	Screw	
7	112735108/1	4	Screw	
8	112735599/0	1	Screw	
10	127598060/0	1	Oil Discharge Extension	
11	118737849/0	1	Plug	
12	118401001/1	1	Oil Seal	
14	112793102/0	2	Screw	
15	112540260/0	2	Grower	
16	182750010/0	1	Muffler	
17	112360425/0	2	Nut	
18	382598039/0	1	Guard	
19	112792611/0	2	Screw	
20	112583500/0	2	Grower	
41	112791213/1	2	Screw	
42	112292102/0	2	Nut	
43	118736110/0	1	Starter Relay	
44	112360352/0	2	Nut	
45	118564861/1	1	Protection	
46	125065017/0	1	Cable	
61	182000212/0	1	Accelerator	
62	125943012/0	2	Screw	
64	325592000/0	1	Knob	
65	112726388/0	1	Screw	
66	112290800/0	1	Hexagonal Nut	



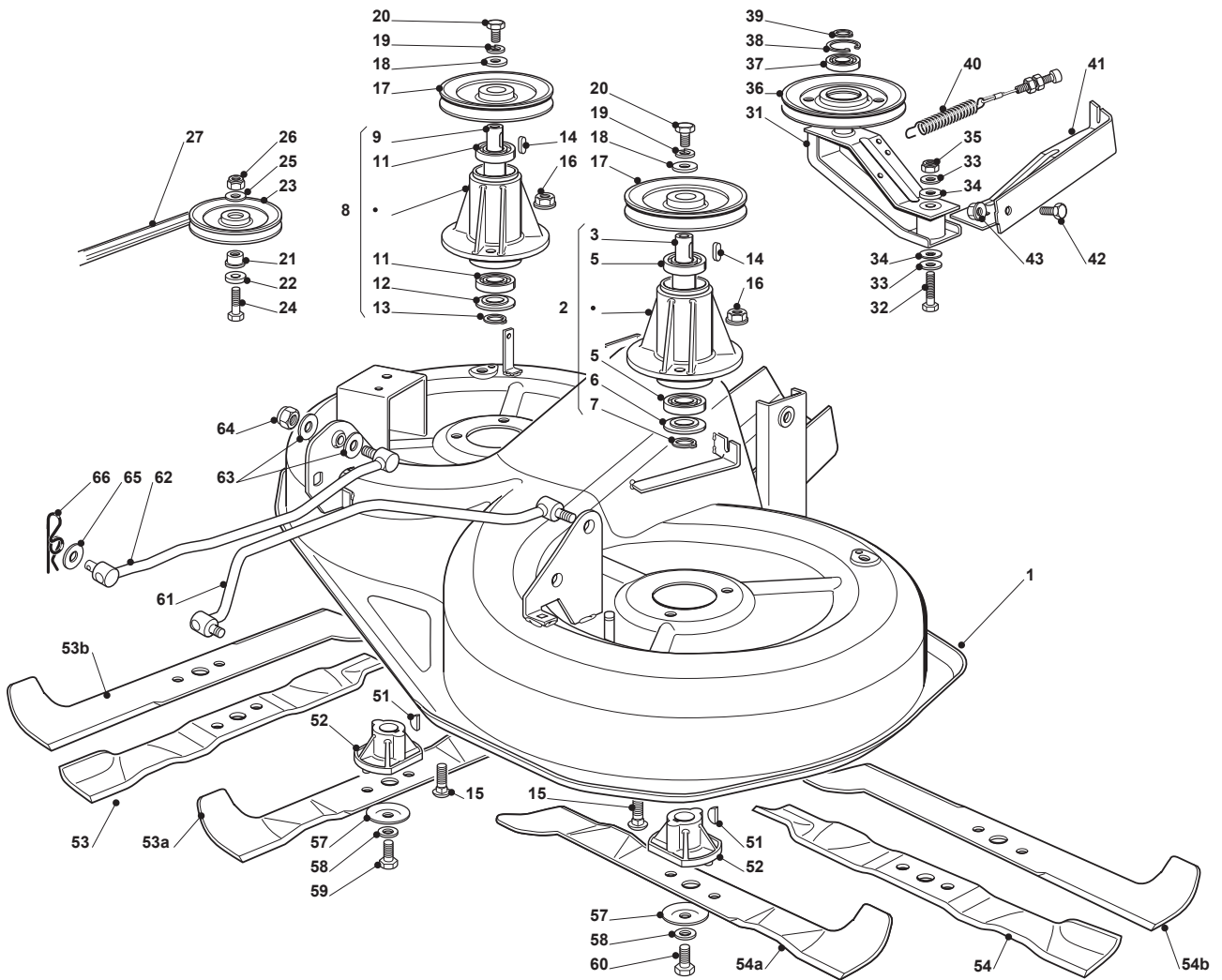
Transmission				
POS	CODE	Q.TY	DESCRIPTION	NOTES
1	118399061/0	1	Clutch	
2	112737320/0	1	Screw	
3	112543000/0	1	Washer	
4	122430216/0	1	Tension Spring	
5	125601567/0	1	Pulley	
6	125160021/0	1	Spacer	
7	382318217/0	1	Lever	
8	112691115/0	1	Screw	
9	112523060/0	1	Washer	
10	327670055/0	1	Antifriction Washer	
11	125510087/0	1	Pin	
12	112523060/0	1	Washer	
13	112155000/0	1	Nut	
14	125601554/0	1	Pulley	
15	112523060/0	1	Washer	
16	112155000/0	1	Nut	
17	125430260/0	1	Spring	
18	325755049/0	1	Bracket	
19	125840005/0	1	Tie Rod	
20	112293200/0	2	Hexagonal Nut	
21	112818690/0	1	Screw	
22	112293201/0	1	Nut	
23	382820013/0	1	Tie Rod Ass.Y	
24	112155000/0	1	Nut	
25	125510063/0	1	Pin	
26	325670011/0	2	Antifriction Washer	
27	112155000/0	1	Nut	
28	112521350/0	1	Washer	
29	112604899/0	1	Crown Fastener	
30	135062012/0	1	Belt	
31	119410608/1	1	Neutral Switch (Mech.)	
32	125065026/0	1	Cable	
41	125160080/0	1	Pin	
42	112691800/0	1	Screw	
43	325601599/0	1	Pulley	
44	112523060/0	1	Washer	
45	112155000/0	1	Nut	
46	125160014/1	1	Right Spacer	
47	125160018/1	1	Left Spacer	
48	112691200/0	1	Screw	
49	112691100/0	1	Screw	
50	125601588/0	2	Pulley	
51	122671653/0	2	Washer	
52	112155000/0	2	Nut	
53	118400910/2	1	Transmission	
54	112691800/0	4	Screw	
55	112154210/0	4	Self-Locking Nut	
56	325774247/0	2	Bracket	
57	112735150/0	2	Screw	
58	112792611/0	2	Screw	
59	112293201/0	2	Nut	
60	182601509/0	1	Pulley	
61	112139430/0	1	Key	
62	112608950/0	1	Seeger	
63	125270321/0	1	Belt Guide	
64	112523040/0	2	Washer	
65	112292102/0	2	Nut	
67	112521410/0	24	Washer	
71	125580030/0	2	Belt Guide (Mech.)	
72	112523060/0	2	Washer	
73	112360425/0	2	Nut	



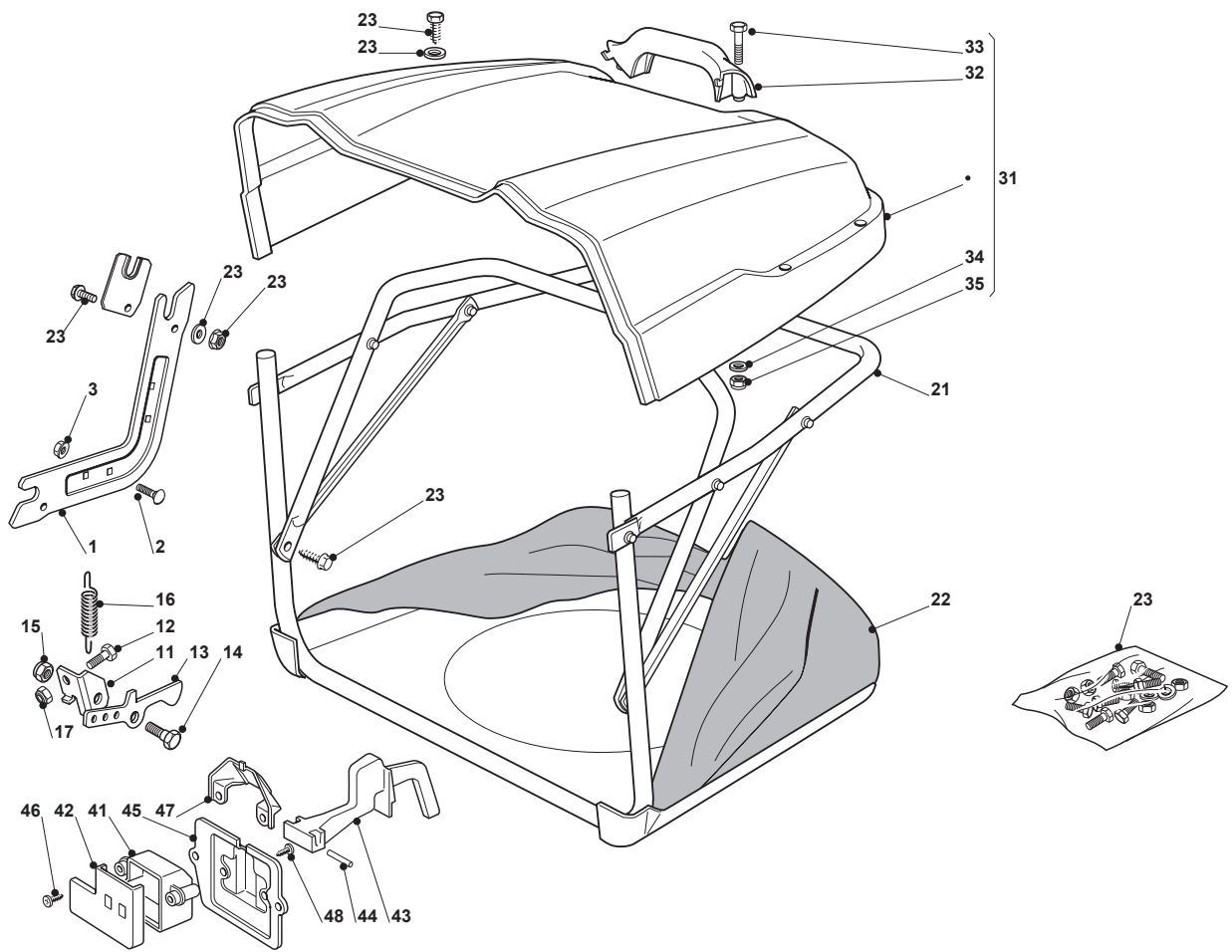
Cutting Plate Lifting				
POS	CODE	Q.TY	DESCRIPTION	NOTES
1	382774249/0	1	Clamp	
2	382318219/1	1	Lever	
3	325394535/0	1	Knob	
4	112674700/0	1	Screw	
5	112154510/0	1	Nut	
6	325650113/0	1	Plate	
7	112818690/0	2	Screw	
8	112155000/0	2	Nut	
9	122041980/0	2	Bush	
10	112523060/0	2	Washer	
11	112691600/0	1	Screw	
12	112155000/0	1	Nut	
13	125430259/0	1	Spring	
14	325735511/0	1	Sector	
15	112818690/0	2	Screw	
16	112293201/0	2	Nut	
17	382000387/0	1	Axle	
18	325547041/1	2	Plate	
19	112731580/0	4	Screw	
20	382000618/0	1	Rod	
21	325670011/0	1	Antifriction Washer	
22	124487997/0	1	Cotter Pin	
23	112523040/0	1	Washer	
24	112154210/0	1	Self-Locking Nut	
25	122446402/1	1	Spring	
26	112792410/0	1	Screw	
27	112292102/0	2	Nut	
28	382000537/0	1	Connecting Rod	
29	325670008/1	2	Washer	
30	112156602/0	1	Nut	
31	124487998/0	1	Cotter Pin	
32	125840025/0	1	Tie Rod	
33	325670008/1	1	Washer	
34	124487998/0	1	Cotter Pin	
35	125510090/0	1	Pin	
36	112295200/0	1	Hexagonal Nut	
37	112156602/0	1	Nut	
38	325670008/1	2	Washer	
39	112156602/0	1	Nut	
40	112521360/0	2	Washer	
41	382000385/0	1	Axle	
42	327546015/2	2	Plate	
43	112731350/0	4	Screw	
44	125840024/0	1	Tie Rod	
45	325670008/1	1	Washer	
46	124487998/0	1	Cotter Pin	
47	125510098/0	1	Pin	
48	112295200/0	1	Hexagonal Nut	
49	112156602/0	1	Nut	
50	325670008/1	2	Washer	
51	112156602/0	1	Nut	
52	125840025/0	1	Tie Rod	
53	325670008/1	1	Washer	
54	124487998/0	1	Cotter Pin	
55	125510090/0	1	Pin	
56	112295200/0	1	Hexagonal Nut	
57	112156602/0	1	Nut	
58	325670008/1	2	Washer	
59	112156602/0	1	Nut	



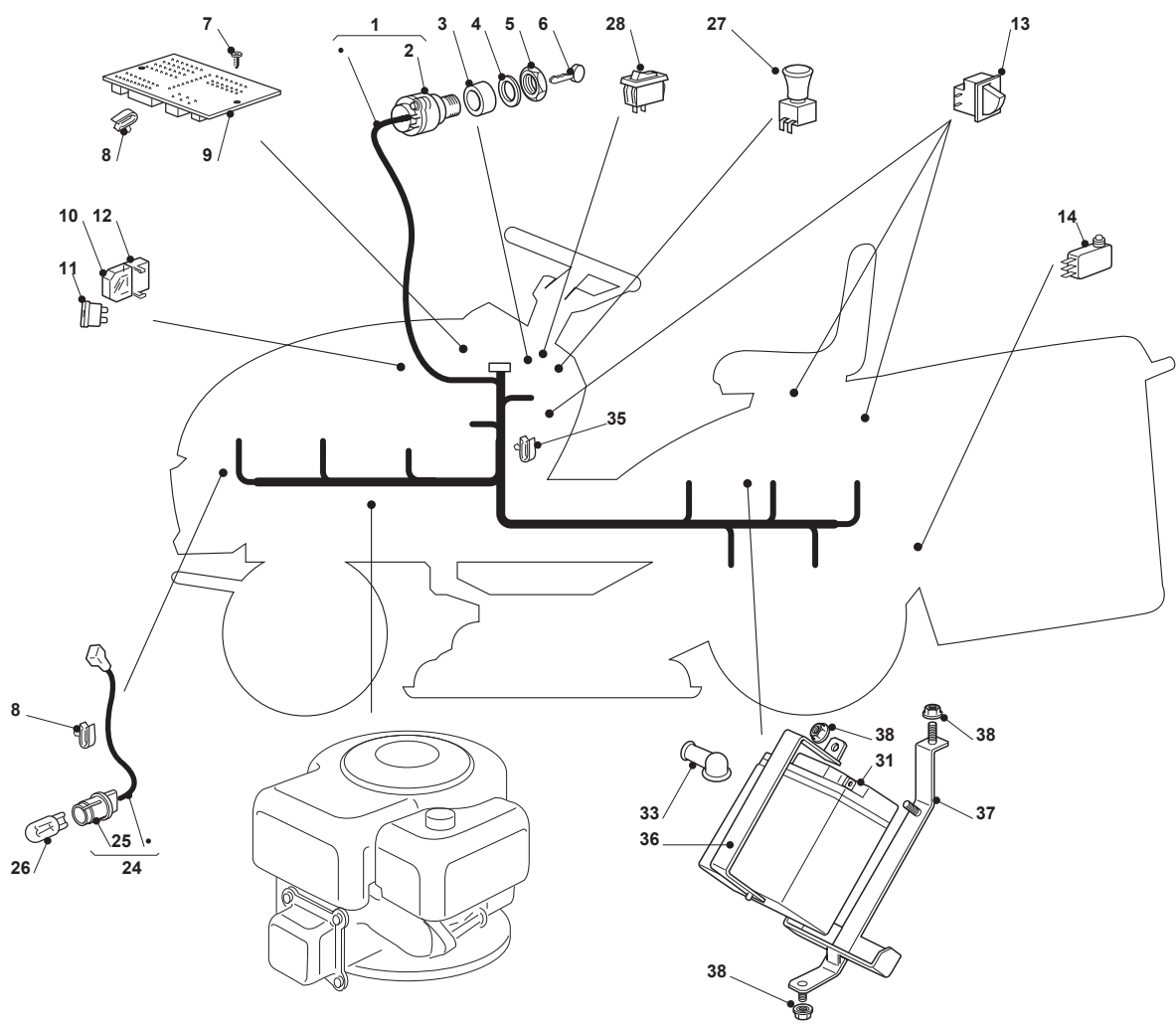
Guards				
POS	CODE	Q.TY	DESCRIPTION	NOTES
1	325060121/1	1	Case	
2	325060122/0	1	Case	
3	112735120/0	6	Screw	
4	112728535/0	4	Screw	
5	325774381/0	1	Bracket	
6	325774383/0	1	Bracket	
7	325033066/0	1	Water Hose Connection	
8	112000970/0	1	O.R. Ring	
9	325033065/0	2	Water Hose Connection	
10	112500030/0	2	Rivet	
11	325869069/0	1	Connecting Tube	
12	325869068/0	1	Connecting Tube	
13	325160039/0	6	Spacer	
21	325060127/0	1	Case	
22	112791400/0	2	Screw	
23	112154510/0	2	Nut	
24	325160039/0	2	Spacer	
32	382108008/1	1	Conveyor	
33	325774373/0	2	Clamp	



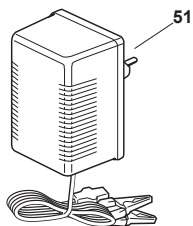
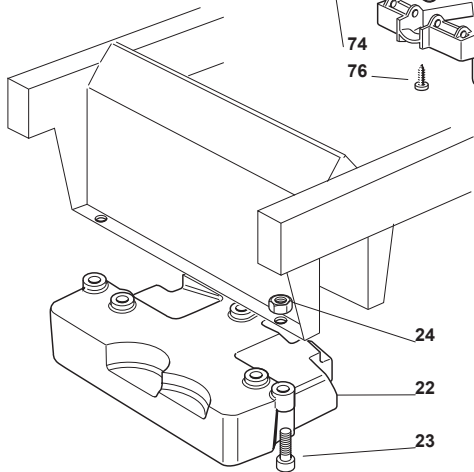
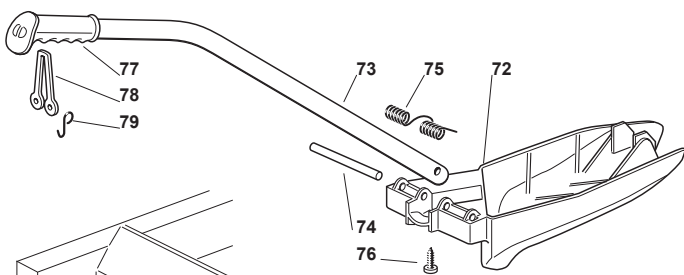
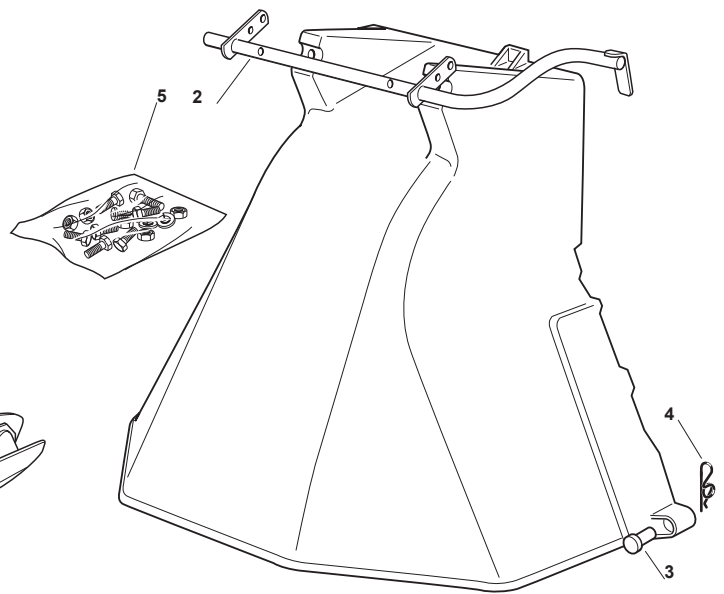
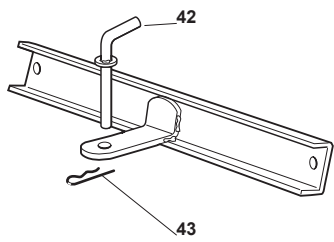
Cutting Deck				
POS	CODE	Q.TY	DESCRIPTION	NOTES
1	382564075/0	1	Cutting Plate Black	
2	382207202/0	1	Left Flange Ass.Y	
3	125020802/0	1	Shaft	
5	119216047/0	2	Bearing	
6	325160501/0	1	Dust Cover Disc	
7	112609260/0	1	Seeger	
8	382207203/0	1	Right Flange Assy	
9	125020803/0	1	Secondary Blade Shaft	
11	119216047/0	2	Bearing	
12	325160501/0	1	Dust Cover Disc	
13	112609260/0	1	Seeger	
14	112139480/0	2	Feather	
15	112818700/0	6	Screw	
16	112154210/0	6	Self-Locking Nut	
17	125601563/0	2	Pulley	
18	125670007/0	2	Washer	
19	112583500/0	2	Grower	
20	112793102/0	2	Screw	
21	125160079/0	1	Spacer	
22	125670007/0	1	Washer	
23	325601599/0	1	Pulley	
24	112691115/0	1	Screw	
25	112523060/0	1	Washer	
26	112155000/0	1	Nut	
27	135065701/0	1	Belt	
31	382318141/2	1	Lever	
32	112691700/0	1	Screw	
33	112523070/0	2	Washer	
34	322672152/0	2	Antifriction Washer	
35	112155000/0	1	Nut	
36	125601564/1	1	Pulley	
37	119216048/0	1	Bearing	
38	112610800/0	1	Snap Ring	
39	112609200/0	1	Seeger	
40	382004618/0	1	Wire	
41	382774215/3	1	Clamp	
42	112792611/0	1	Screw	
43	112293201/0	1	Nut	
51	112139100/0	2	Key 4X6,5 D=16 Uni6606 C40	
52	125463200/0	2	Blade Hub	
53	182004352/0	1	Right Mulching Blade	
54	181004346/3	1	Blade	
57	122160400/0	2	Elastic Disk 38/4-5,45/11-12	
58	112523080/0	2	Washer	
59	112735695/1	1	Screw	
60	112735694/0	1	Screw	
61	382000535/0	1	Equalizer Rod	
62	382000533/0	1	Equalizer Rod	
63	325670008/1	4	Washer	
64	112156602/0	2	Nut	
65	325670008/1	2	Washer	
66	124487998/0	2	Cotter Pin	
53a	182004354/0	1	Right Blade, Winged	
53b	182004345/1	1	Right Blade, Winged	
54a	182004353/0	1	Left Blade Mulching, Winged	
54b	182004344/1	1	Left Blade, Winged	



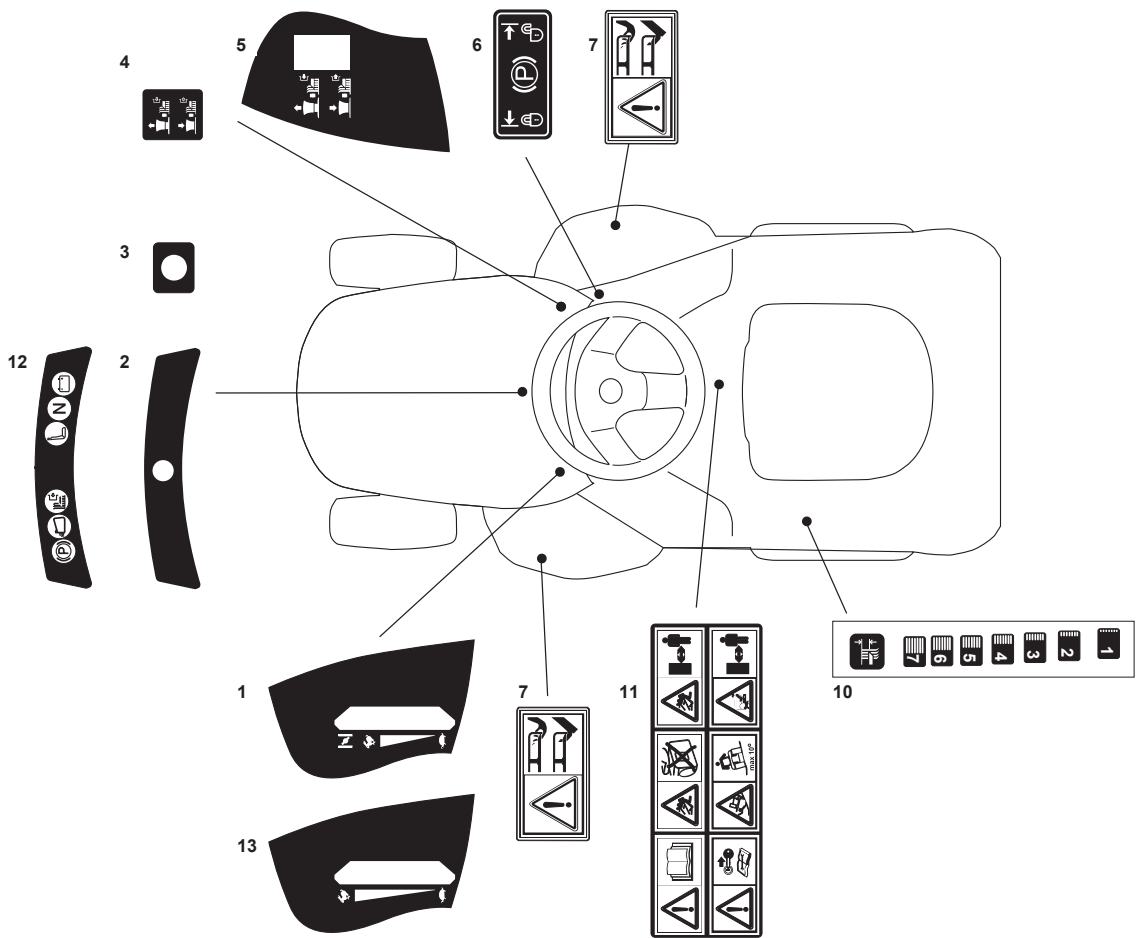
Grasscatcher				
POS	CODE	Q.TY	DESCRIPTION	NOTES
1	325785275/0	2	Support	
2	112818690/0	4	Screw	
3	112293201/0	4	Nut	
11	325755031/1	1	Bracket	
12	112789000/0	1	Screw	
13	325774315/1	1	Bracket	
14	125510080/1	1	Pin	
15	112292102/0	1	Nut	
16	122450432/0	1	Spring	
17	112154330/0	1	Low Self-Locking Nut	
21	382800110/0	1	Front Frame	
22	182105974/0	1	Grasscatcher	
23	382180120/0	1	Screw	
31	382110273/1	1	Black Grass-Catcher Cover	
32	127394000/0	1	Handle	
33	112789020/0	2	Screw	
34	112523020/0	2	Washer	
35	112154330/0	2	Low Self-Locking Nut	
41	125600041/0	1	Grassc.Full Micro Protection Tcj-F	
42	125600042/0	1	Grasscatcher Micro Prot Cover	
43	125318124/0	1	Full Grassc. Microswtich Cover	
44	112400030/0	1	Pin	
45	325785272/0	1	Micro Protection	
46	112728510/0	1	Screw	
47	125600048/0	1	Empty Micro Grassc.Protection Cover	
48	112735110/0	2	Screw	



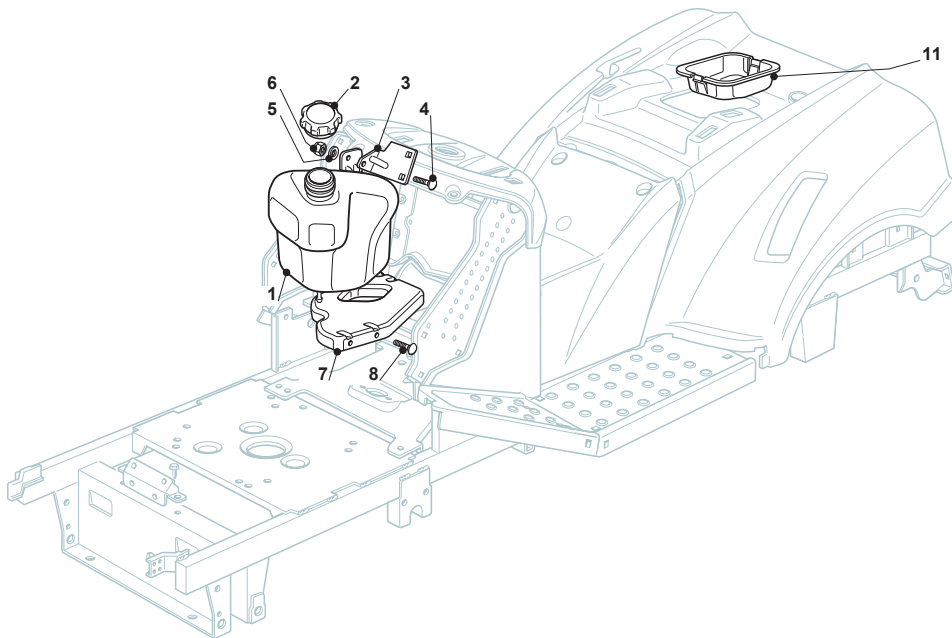
Electric Parts				
POS	CODE	Q.TY	DESCRIPTION	NOTES
1	182040153/0	1	Cables Ass.Y	
2	118450072/0	1	Starting Switch	
3	118550136/0	1	Spacer	
4	118550135/0	1	Washer	
5	118400862/0	1	Ring Nut	
6	118210022/0	1	Starting Key	
7	112727810/0	3	Screw	
8	133320506/0	2	Fairlead	
9	125722430/1	1	Electronic Card (1 Led)	
10	133215000/0	2	Cover	
11	133340036/0	1	Fuse 25 A	
11	133340040/0	1	Lamellar Fusible 10A	
12	133500007/0	2	Fuse Carrier	
13	119410615/0	3	Micro Switch	
14	119410605/1	1	Micro Switch	
24	182040073/0	1	Lamp Holder	
25	133500030/0	2	Lamp Holder	
26	118459100/0	2	Lamp For Lights	
27	118450068/0	1	Delta Switch	
28	118450060/1	1	Headlight Interrupt	
31	118120002/1	1	Combinat.Battery	
33	118564861/1	1	Protection	
35	133320506/0	9	Fairlead	
36	327772099/1	1	Clamp	
37	382785191/0	1	Battery Support	
38	112155000/0	3	Nut	



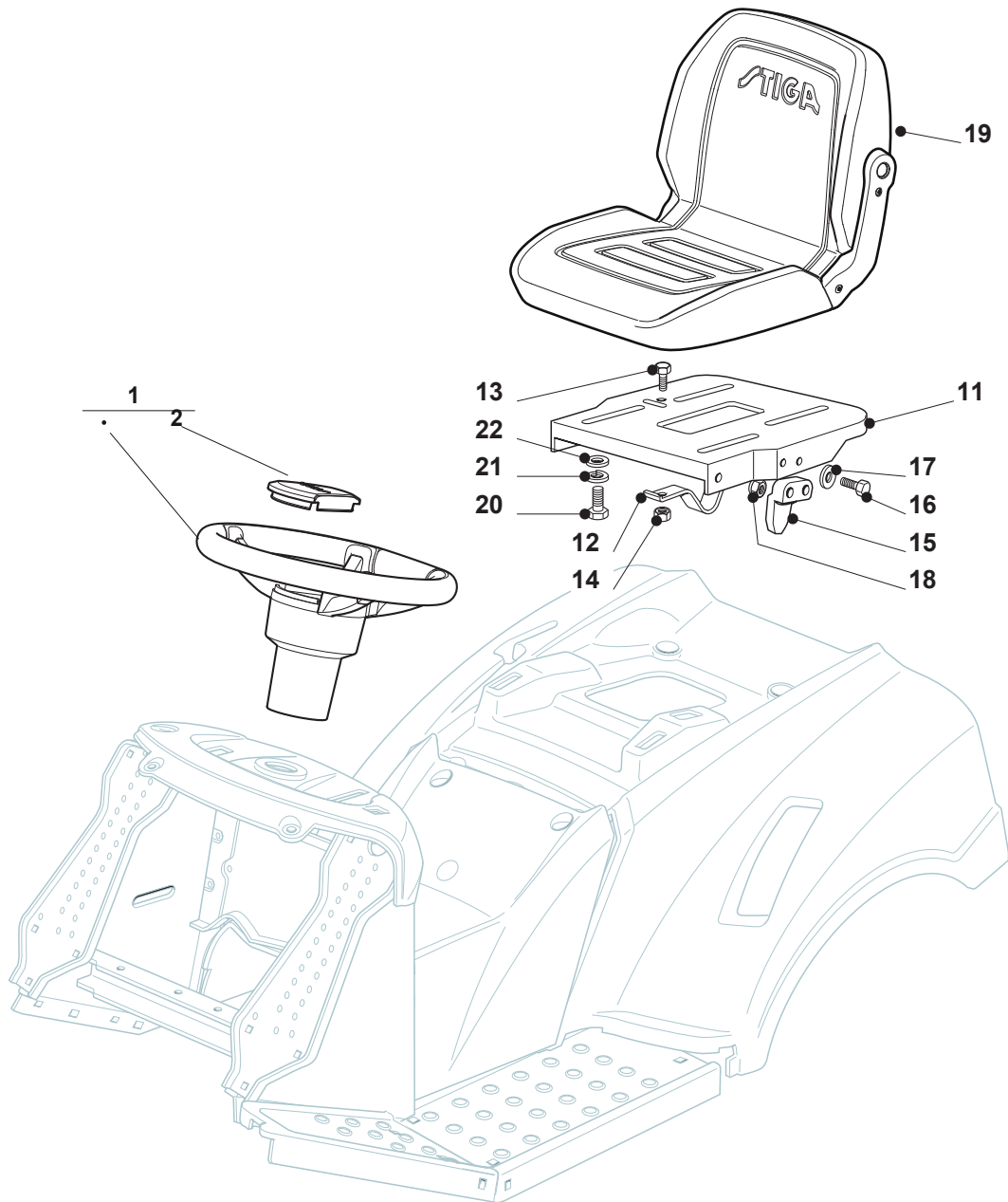
Optionals On Request				
POS	CODE	Q.TY	DESCRIPTION	NOTES
2	382869035/0	1	Support	
3	125510022/0	2	Pin	
4	124487998/0	2	Cotter Pin	
5	382180062/0	1	Screw	
22	125519997/1	1	Front Weight Tc	
23	112760520/0	3	Screw	
24	112155000/0	3	Nut	
42	125510021/1	1	Hitch Pin	
43	124487999/0	1	Spring Pin	
51	182180050/0	1	Battery Charger 0,6A	CE plug
72	325140093/0	1	Deflector	
73	325394007/0	1	Handle	
74	125510077/0	1	Pin	
75	125430245/0	1	Spring	
76	112735410/0	1	Screw	
77	325280000/1	1	Handgrip	
78	125840011/1	1	Tie Rod	
79	125253004/0	2	Mulch.Kit Fixing Hook	



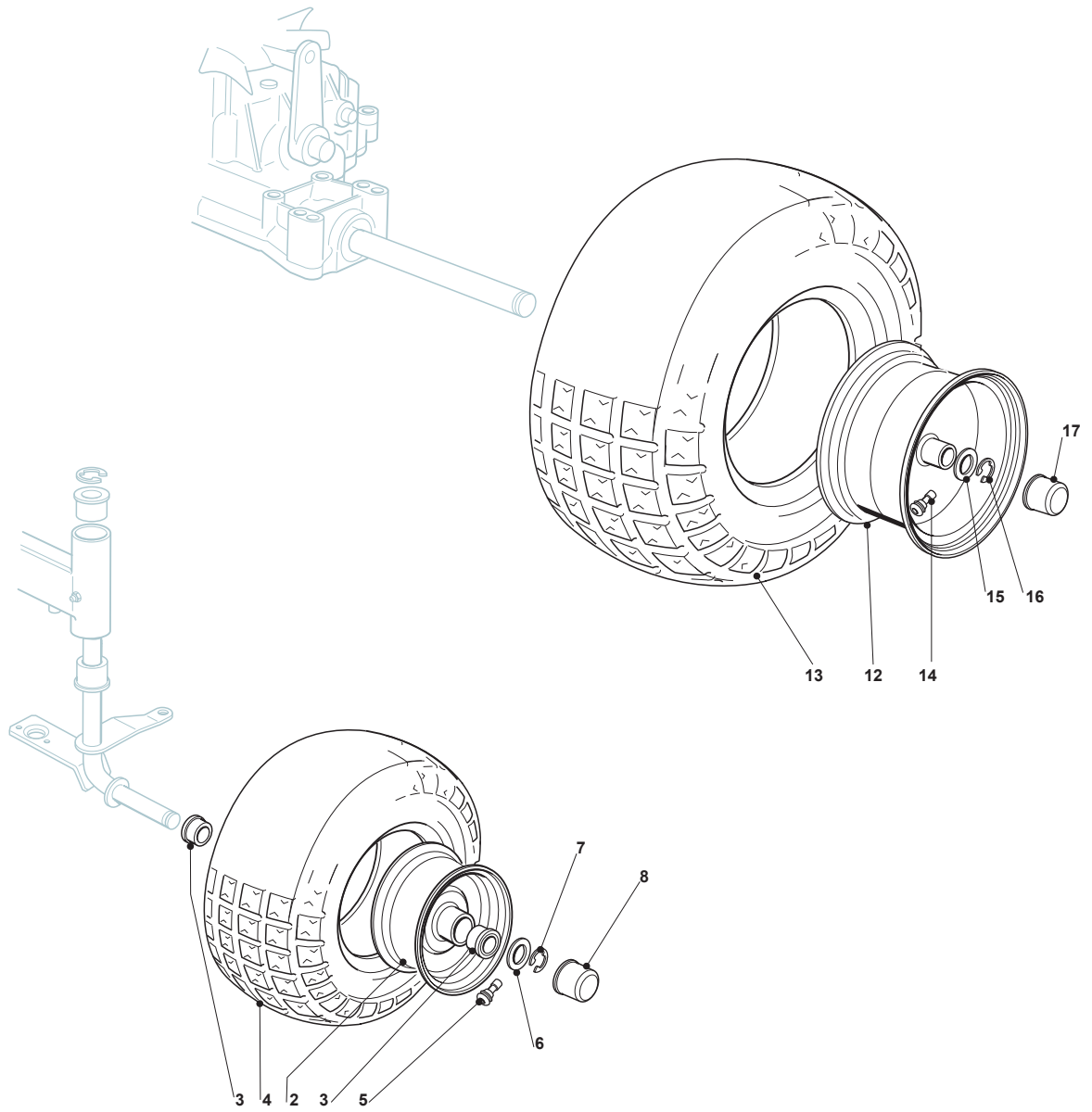
Labels				
POS	CODE	Q.TY	DESCRIPTION	NOTES
1	114361440/0	1	Label	
2	125420019/0	1	Label	
5	114361439/0	1	Label	
6	114361452/0	1	Label	
7	114356699/1	2	Label	
10	114361441/0	1	Label	
11	114361553/0	1	Label	



Tank 4,5 Lt				
POS	CODE	Q.TY	DESCRIPTION	NOTES
1	325735124/0	1	Tank	
2	125795000/1	1	Fuel Cap	
3	325785291/0	1	Support	
4	112789195/0	1	Screw	
5	112581500/0	1	Grower	
6	112437503/0	1	Plate	
7	325785289/0	1	Support	
8	112735403/0	4	Screw	
11	325207176/0	1	Basin	



Seat & Steering Wheel				
POS	CODE	Q.TY	DESCRIPTION	NOTES
1	325961222/1	1	Steering Wheel	
2	325580508/0	1	Steering Plate	
11	325547033/1	1	Seat Plate	
12	125430223/2	1	Spring	
13	112789000/0	1	Screw	
14	112154330/0	1	Low Self-Locking Nut	
15	327063021/1	1	Cam	
16	112789100/0	2	Screw	
17	112523020/0	2	Washer	
18	112154330/0	2	Low Self-Locking Nut	
19	125722479/0	1	Seat	
20	112793101/0	4	Screw	
21	112583500/0	4	Grower	
22	112523060/0	4	Washer	



Wheels				
POS	CODE	Q.TY	DESCRIPTION	NOTES
2	182000590/1	2	Rimm	
3	125122200/2	4	Bearing	
4	125590020/0	2	Tyre	
5	125950000/0	2	Valve	
6	125670005/1	2	Washer	
7	112001000/0	2	Benzing Ring	
8	122110230/0	2	Hub Cover	
12	182000592/0	2	Rear Wheel Rimm	
13	125590022/0	2	Tyre	
14	125950000/0	2	Valve	
15	125670005/1	2	Washer	
16	112001010/0	2	Benzing Ring	
17	122110230/0	2	Hub Cover	