



[www.stiga.com](http://www.stiga.com)

# Illustrated Parts List

for model:

**ESTATE 5092 H**

- Use GLOBAL GARDEN PRODUCT genuine spare parts specified in the parts list for repair and/or replacement.
- Then contents described in the parts list may change due to improvement.
- The drawings of the spare part are only indicative and might not represent the part in question exactly.
- The indications "right" - "left" - "front" - "rear" refer to the position of the operator when using the machine.
- When placing orders of parts for repair and/or replacement, make sure that the illustrated parts list is the one applying to the machine's year of manufacture, as shown on the identification plate attached to the machine.

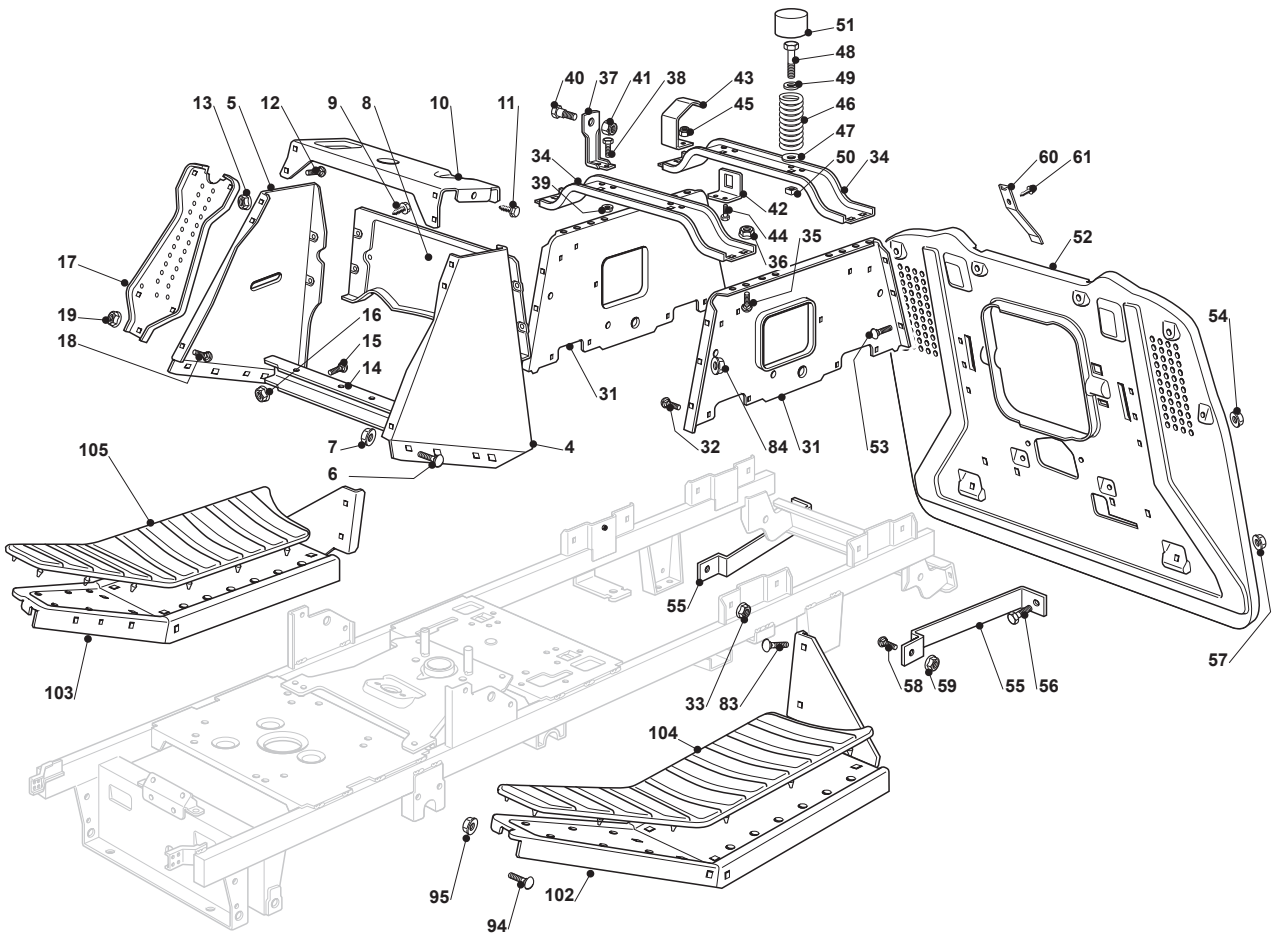
© Copyright 2014 Global Garden Products

All content is subject to copyright by Global Garden Products and may not be reproduced in whole or in part by any means, electronic or otherwise, without prior written approval.

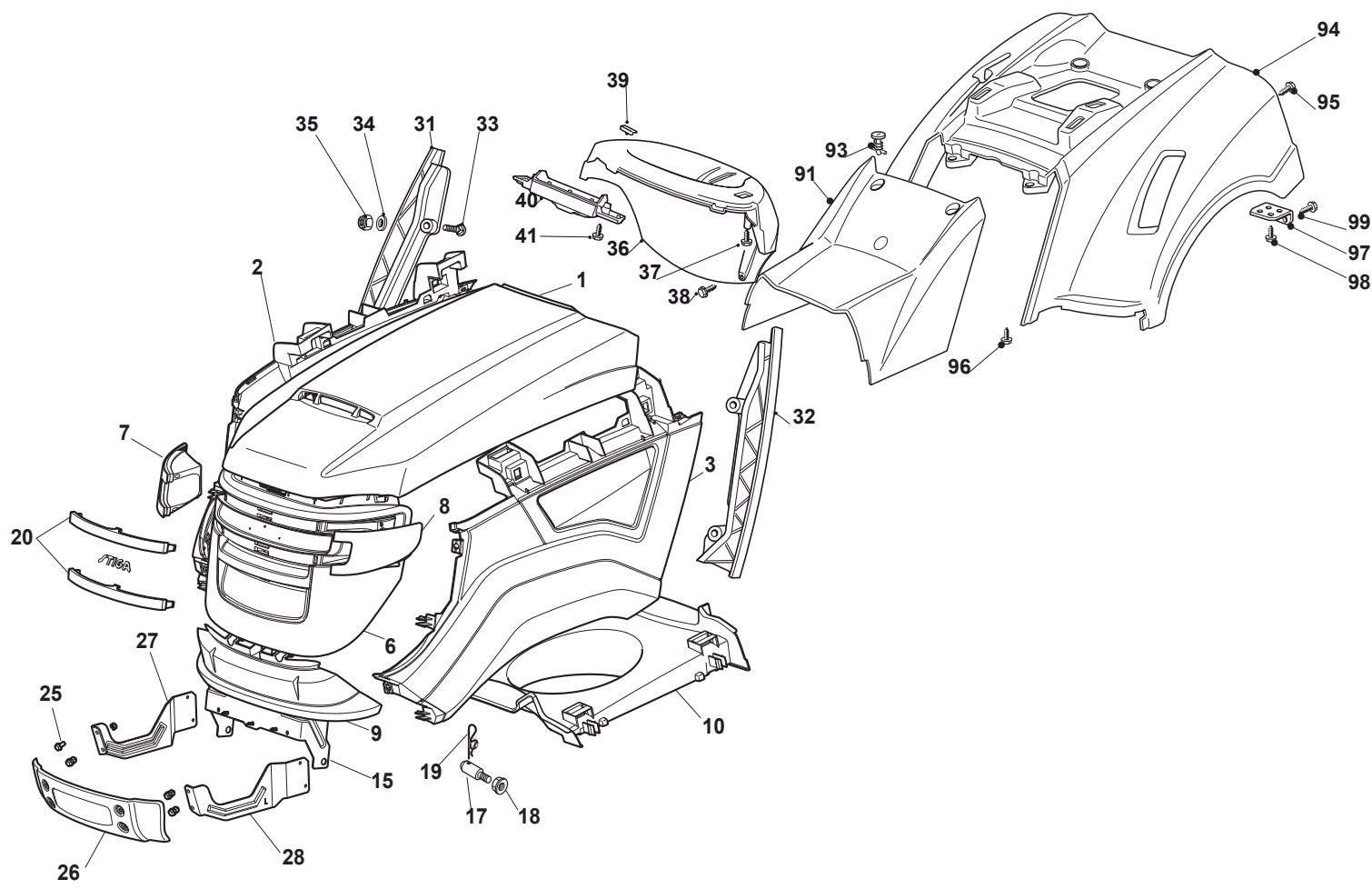
THIS INFORMATION IS NOT INTENDED FOR SALE OR RESALE, AND THIS NOTICE MUST REMAIN ON ALL COPIES.

[www.ggp-group.com](http://www.ggp-group.com)

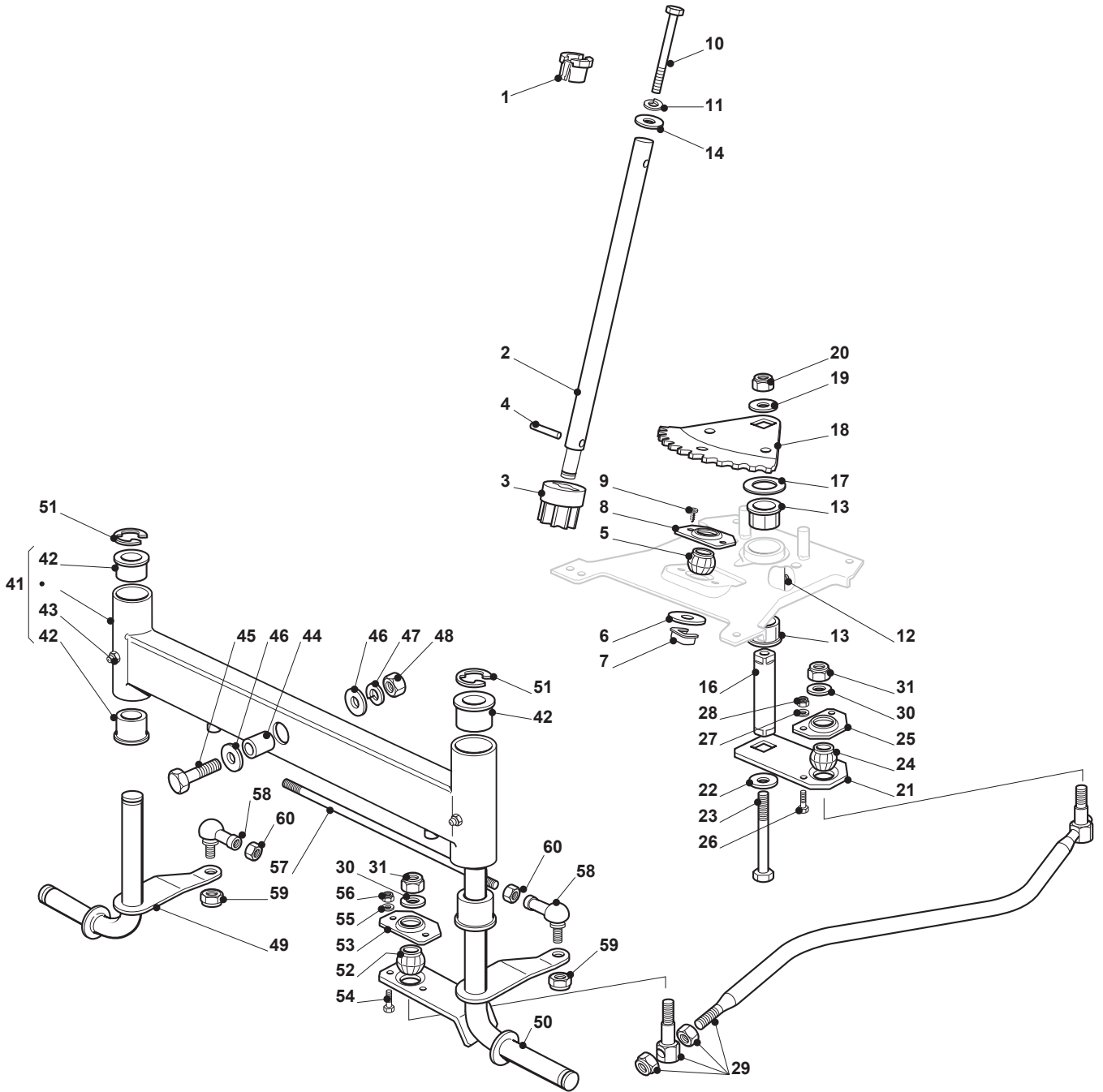




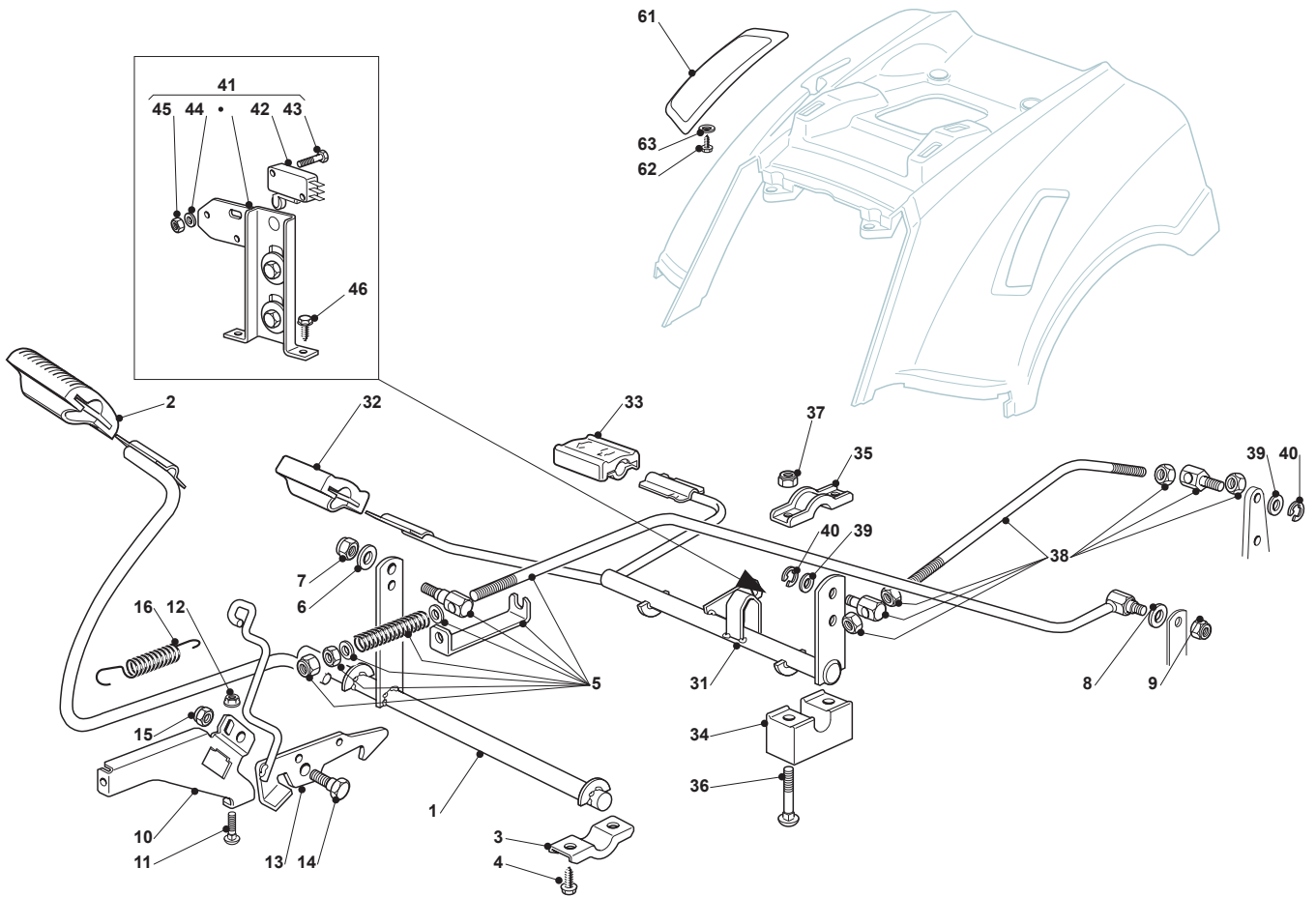
| Frame |             |      |                           |       |
|-------|-------------|------|---------------------------|-------|
| POS   | CODE        | Q.TY | DESCRIPTION               | NOTES |
| 4     | 325785243/1 | 1    | Left Dashboard Support    |       |
| 5     | 325785245/0 | 1    | Right Dashboard Support   |       |
| 6     | 112818690/0 | 4    | Screw                     |       |
| 7     | 112293201/0 | 4    | Nut                       |       |
| 8     | 382785151/2 | 1    | Rear Dashboard Support    |       |
| 9     | 112735110/0 | 4    | Screw                     |       |
| 10    | 325785255/0 | 1    | Central Dashboard Support |       |
| 11    | 112735110/0 | 2    | Screw                     |       |
| 12    | 112815200/0 | 4    | Screw                     |       |
| 13    | 112292102/0 | 4    | Nut                       |       |
| 14    | 325785241/0 | 1    | Support                   |       |
| 15    | 112815200/0 | 2    | Screw                     |       |
| 16    | 112292102/0 | 2    | Nut                       |       |
| 17    | 382785153/1 | 2    | Front Dashboard Support   |       |
| 18    | 112815200/0 | 2    | Screw                     |       |
| 19    | 112292102/0 | 2    | Nut                       |       |
| 31    | 325785249/1 | 2    | Seat Support              |       |
| 32    | 112815200/0 | 8    | Screw                     |       |
| 33    | 112292102/0 | 8    | Nut                       |       |
| 34    | 325785257/1 | 2    | Seat Support              |       |
| 35    | 112818690/0 | 8    | Screw                     |       |
| 36    | 112293201/0 | 8    | Nut                       |       |
| 37    | 325755039/0 | 2    | Bracket                   |       |
| 38    | 112792611/0 | 4    | Screw                     |       |
| 39    | 112293201/0 | 4    | Nut                       |       |
| 40    | 122524970/2 | 2    | Fulcrum Pin               |       |
| 41    | 112155010/0 | 2    | Self-Locking Nut          |       |
| 42    | 325755043/0 | 1    | Bracket                   |       |
| 43    | 325430253/0 | 1    | Spring                    |       |
| 44    | 112789000/0 | 2    | Screw                     |       |
| 45    | 112154330/0 | 2    | Low Self-Locking Nut      |       |
| 46    | 125430257/1 | 2    | Spring                    |       |
| 47    | 112523070/0 | 2    | Washer                    |       |
| 48    | 112760515/0 | 2    | Screw                     |       |
| 49    | 122671653/0 | 2    | Washer                    |       |
| 50    | 112360425/0 | 2    | Nut                       |       |
| 51    | 325122000/2 | 2    | Spring                    |       |
| 52    | 382547041/1 | 1    | Plate                     |       |
| 53    | 112792611/0 | 6    | Screw                     |       |
| 54    | 112293201/0 | 6    | Nut                       |       |
| 55    | 325650119/0 | 2    | Plate Stiffening          |       |
| 56    | 112792611/0 | 2    | Screw                     |       |
| 57    | 112293201/0 | 2    | Nut                       |       |
| 58    | 112792611/0 | 2    | Screw                     |       |
| 59    | 112293201/0 | 2    | Nut                       |       |
| 60    | 125430276/0 | 1    | Spring                    |       |
| 61    | 112735110/0 | 1    | Screw                     |       |
| 83    | 112792611/0 | 4    | Screw                     |       |
| 84    | 112293201/0 | 4    | Nut                       |       |
| 94    | 112815200/0 | 4    | Screw                     |       |
| 95    | 112292102/0 | 4    | Nut                       |       |
| 102   | 382510083/0 | 1    | Left Footboard Support    |       |
| 103   | 382510081/0 | 1    | Right Footboard Support   |       |
| 104   | 325110327/0 | 1    | Left Footboard Cover      |       |
| 105   | 325110326/0 | 1    | Right Footboard Cover     |       |



| Body |             |      |                           |       |
|------|-------------|------|---------------------------|-------|
| POS  | CODE        | Q.TY | DESCRIPTION               | NOTES |
| 1    | 325076866/0 | 1    | Upper Engine Hood, Yellow |       |
| 2    | 382394645/0 | 1    | Hood, Right               |       |
| 3    | 382394646/0 | 1    | Hood, Left                |       |
| 6    | 325076953/0 | 1    | Lower Grey Hood, Front    |       |
| 7    | 382185500/0 | 1    | Right Lamp Light          |       |
| 8    | 382185501/0 | 1    | Left Lamp Light           |       |
| 9    | 325076959/0 | 1    | Lower Grey Hood, Front    |       |
| 10   | 325108031/0 | 1    | Conveyor                  |       |
| 11   | 112735403/0 | 6    | Screw                     |       |
| 15   | 325774301/2 | 1    | Engine Hood Support       |       |
| 16   | 112735403/0 | 5    | Screw                     |       |
| 17   | 125510079/1 | 2    | Pin                       |       |
| 18   | 112293201/0 | 2    | Nut                       |       |
| 19   | 124487998/0 | 2    | Cotter Pin                |       |
| 20   | 325076956/0 | 1    | Frontal Moulding          |       |
| 24   | 325547159/1 | 2    | Plate                     |       |
| 25   | 112800815/0 | 4    | Screw                     |       |
| 26   | 382263503/0 | 1    | Bumper                    |       |
| 27   | 382785259/0 | 1    | Right Support             |       |
| 28   | 382785261/0 | 1    | Left Support              |       |
| 31   | 325599012/0 | 1    | Right Dashboard Support   |       |
| 32   | 325599013/0 | 1    | Left Dashboard Support    |       |
| 33   | 112815221/0 | 4    | Screw                     |       |
| 34   | 112521330/0 | 4    | Washer                    |       |
| 35   | 112154510/0 | 4    | Nut                       |       |
| 36   | 325120188/2 | 1    | Dashboard                 |       |
| 37   | 112728440/0 | 2    | Screw                     |       |
| 38   | 112735402/0 | 2    | Screw                     |       |
| 39   | 125260000/0 | 2    | Grommet                   |       |
| 40   | 325600074/0 | 1    | Card Protection           |       |
| 41   | 112735402/0 | 2    | Screw                     |       |
| 91   | 325110365/0 | 1    | Cover, Yellow             |       |
| 93   | 125580020/2 | 2    | Pin                       |       |
| 94   | 325110323/0 | 1    | Yellow Wheels Cover       |       |
| 95   | 112735402/0 | 4    | Screw                     |       |
| 96   | 112735402/0 | 2    | Screw                     |       |
| 97   | 325755041/0 | 2    | Bracket                   |       |
| 98   | 112728686/0 | 4    | Screw                     |       |
| 99   | 112735110/0 | 2    | Screw                     |       |

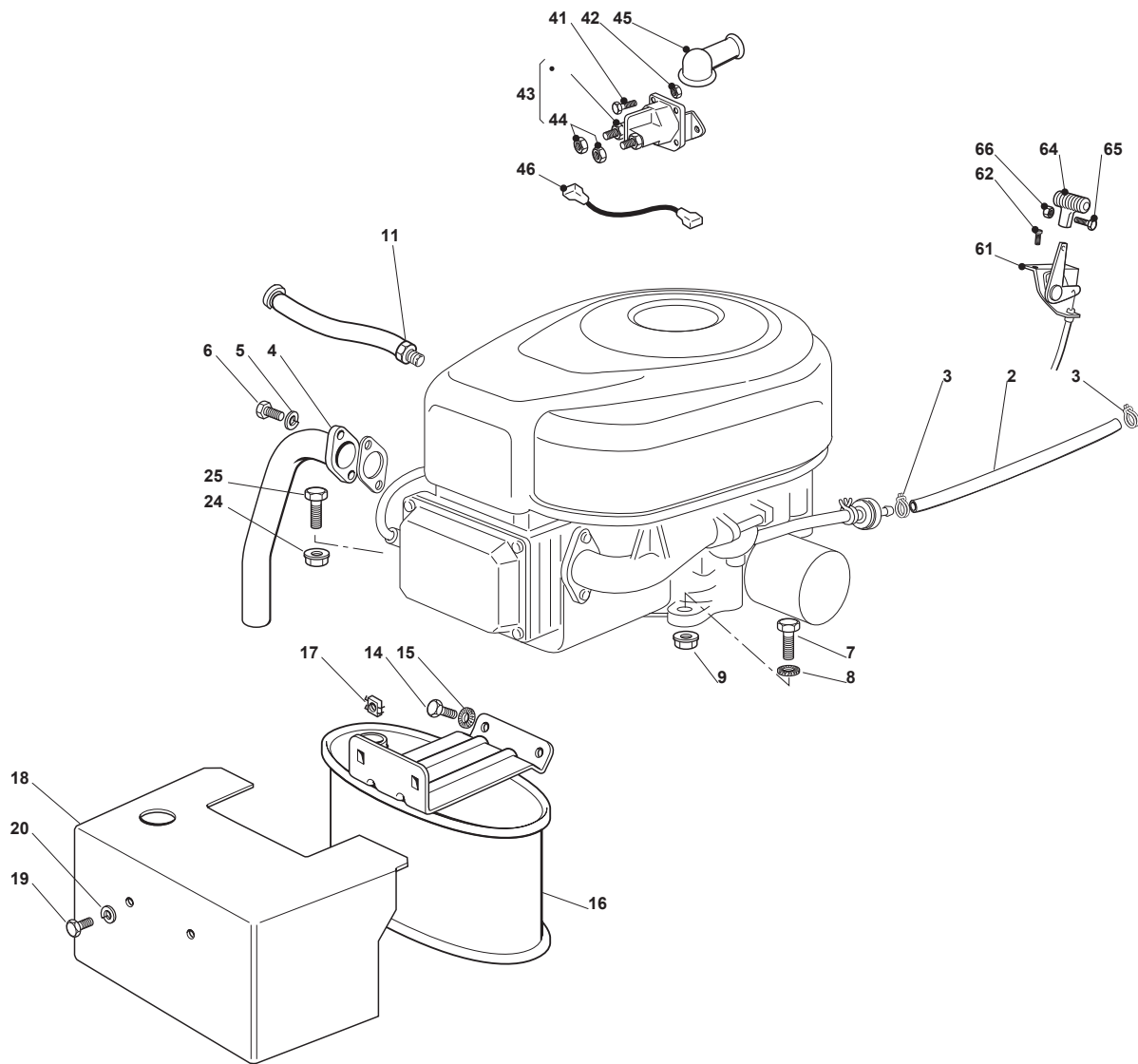


| Steering |             |      |                                  |       |
|----------|-------------|------|----------------------------------|-------|
| POS      | CODE        | Q.TY | DESCRIPTION                      | NOTES |
| 1        | 325038004/0 | 1    | Bush                             |       |
| 2        | 125520014/0 | 1    | Steering Column                  |       |
| 3        | 127570050/0 | 1    | Pinion                           |       |
| 4        | 112622650/0 | 1    | Pin                              |       |
| 5        | 325743000/0 | 1    | Joint Tc/Junior                  |       |
| 6        | 112521370/0 | 1    | Washer                           |       |
| 7        | 112436030/0 | 1    | Plate                            |       |
| 8        | 325785213/1 | 1    | Support                          |       |
| 9        | 112729601/1 | 2    | Screw                            |       |
| 10       | 112691800/0 | 1    | Screw                            |       |
| 11       | 112583500/0 | 1    | Grower                           |       |
| 12       | 112379511/0 | 1    | Grease Dispenser                 |       |
| 13       | 325040624/0 | 2    | Bushing                          |       |
| 14       | 112523060/0 | 1    | Washer                           |       |
| 16       | 125510092/0 | 1    | Pin                              |       |
| 17       | 125670019/0 | 1    | Washer                           |       |
| 18       | 325735513/0 | 1    | Steering Shaft                   |       |
| 19       | 112523080/0 | 1    | Washer                           |       |
| 20       | 112155020/0 | 1    | Nut                              |       |
| 21       | 325318205/0 | 1    | Lever                            |       |
| 22       | 112523080/0 | 1    | Washer                           |       |
| 23       | 112794985/0 | 1    | Screw                            |       |
| 24       | 325743000/0 | 1    | Joint Tc/Junior                  |       |
| 25       | 325785213/1 | 1    | Support                          |       |
| 26       | 112791213/1 | 2    | Screw                            |       |
| 27       | 112521330/0 | 2    | Washer                           |       |
| 28       | 112154510/0 | 2    | Nut                              |       |
| 29       | 382000539/1 | 1    | Steering Rod                     |       |
| 30       | 112523070/0 | 2    | Washer                           |       |
| 31       | 112155010/0 | 2    | Nut                              |       |
| 41       | 382034024/1 | 1    | Equalizer W/ Bush And Lubricator |       |
| 42       | 125034002/1 | 4    | Bush                             |       |
| 43       | 112379511/0 | 2    | Grease Dispenser                 |       |
| 44       | 125160016/0 | 1    | Equalizer Spacer                 |       |
| 45       | 112692695/0 | 1    | Screw                            |       |
| 46       | 112523100/0 | 2    | Washer                           |       |
| 47       | 112587100/0 | 1    | Grower                           |       |
| 48       | 112295300/0 | 1    | Nut                              |       |
| 49       | 382230363/0 | 1    | Right Stub Axle                  |       |
| 50       | 382230365/0 | 1    | Left Stub Axle                   |       |
| 51       | 112001000/0 | 2    | Benzing Ring                     |       |
| 52       | 325743000/0 | 1    | Joint Tc/Junior                  |       |
| 53       | 325785213/1 | 1    | Support                          |       |
| 54       | 112791213/1 | 2    | Screw                            |       |
| 55       | 112521330/0 | 2    | Washer                           |       |
| 56       | 112154510/0 | 2    | Nut                              |       |
| 57       | 125840023/0 | 1    | Tie Rod                          |       |
| 58       | 122746609/0 | 2    | Joint                            |       |
| 59       | 112156602/0 | 2    | Nut                              |       |
| 60       | 112295201/0 | 2    | Nut                              |       |

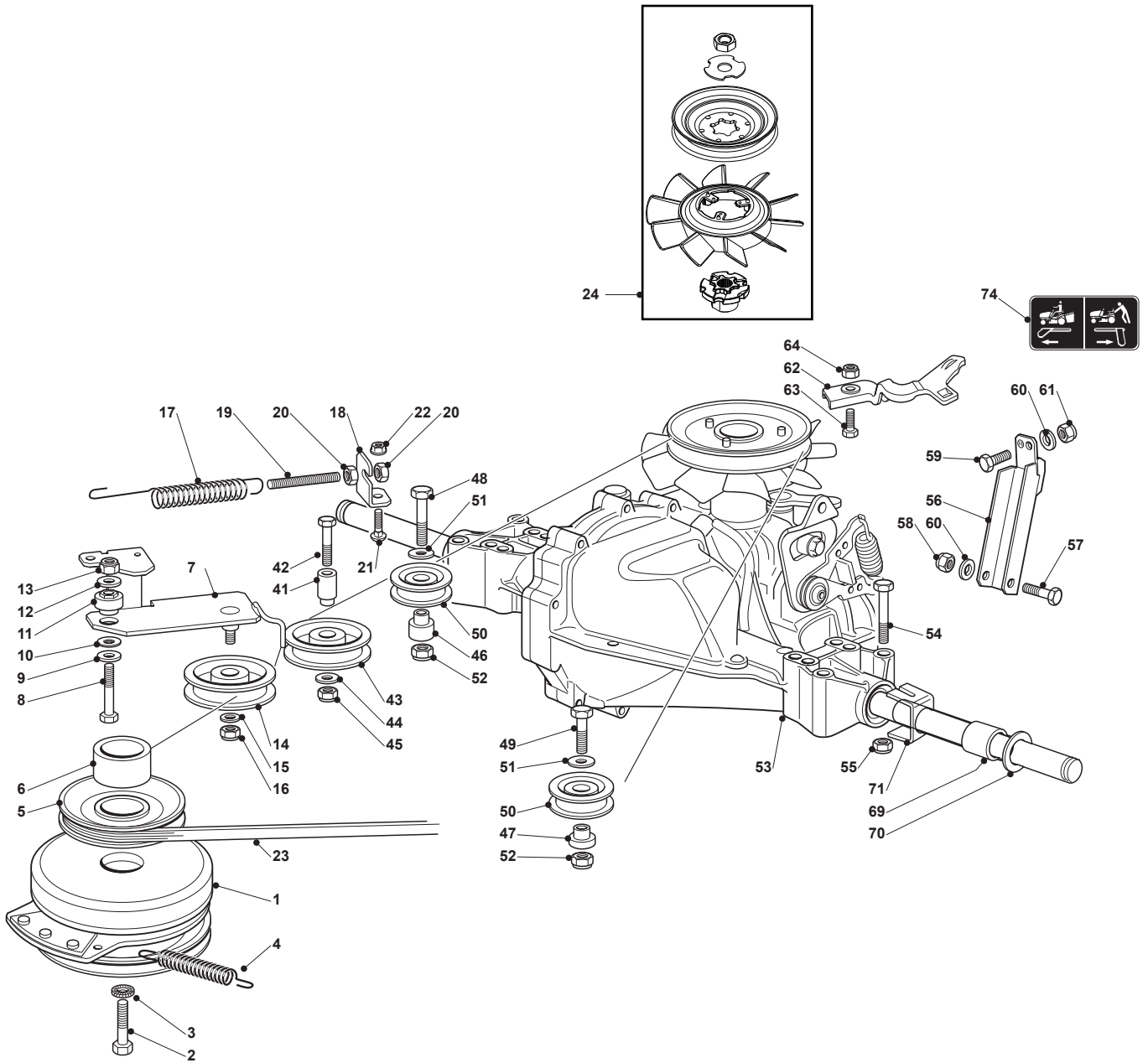




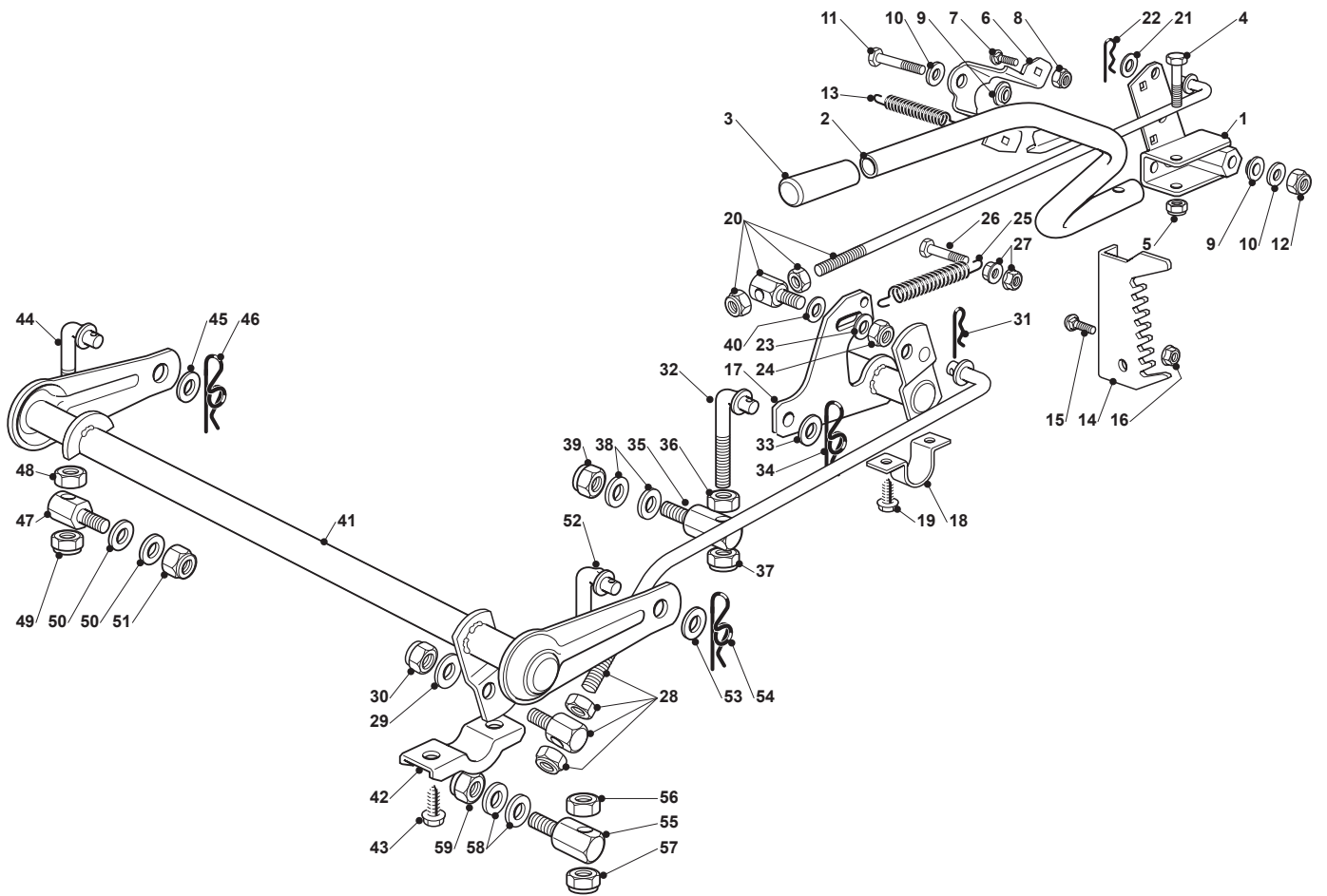
| Brake And Gearbox Controls Hydro-Gear |             |      |                   |       |
|---------------------------------------|-------------|------|-------------------|-------|
| POS                                   | CODE        | Q.TY | DESCRIPTION       | NOTES |
| 1                                     | 382500029/1 | 1    | Pedal             |       |
| 2                                     | 325110416/0 | 1    | Clamp Cover       |       |
| 3                                     | 327546015/2 | 2    | Plate             |       |
| 4                                     | 112729601/1 | 4    | Screw             |       |
| 5                                     | 382000627/0 | 1    | Rod (Hydro-Gear)  |       |
| 6                                     | 112521350/0 | 1    | Washer            |       |
| 7                                     | 112155000/0 | 1    | Nut               |       |
| 8                                     | 112521350/0 | 1    | Washer            |       |
| 9                                     | 112155000/0 | 1    | Nut               |       |
| 10                                    | 325785261/0 | 1    | Support           |       |
| 11                                    | 112815200/0 | 2    | Screw             |       |
| 12                                    | 112292102/0 | 2    | Nut               |       |
| 13                                    | 382000531/0 | 1    | Rod               |       |
| 14                                    | 122524970/2 | 1    | Fulcrum Pin       |       |
| 15                                    | 112155000/0 | 1    | Nut               |       |
| 16                                    | 125430213/0 | 1    | Spring            |       |
| 31                                    | 382000605/0 | 1    | Drive Pedal       |       |
| 32                                    | 325110417/0 | 1    | Clamp Cover Front |       |
| 33                                    | 325110418/0 | 1    | Clamp Cover Rear  |       |
| 34                                    | 325785185/0 | 2    | Support           |       |
| 35                                    | 327546015/2 | 2    | Plate             |       |
| 36                                    | 112815245/0 | 4    | Screw             |       |
| 37                                    | 112154510/0 | 4    | Nut               |       |
| 38                                    | 382000578/0 | 1    | Rod (Hydro-Gear)  |       |
| 39                                    | 112523040/0 | 2    | Washer            |       |
| 40                                    | 112000940/0 | 2    | Benzing Ring      |       |
| 41                                    | 382394853/0 | 1    | Switch Ass.Y      |       |
| 42                                    | 119410609/0 | 1    | Micro Switch      |       |
| 43                                    | 112735602/0 | 2    | Screw             |       |
| 44                                    | 112581100/0 | 2    | Grower            |       |
| 45                                    | 112290791/0 | 2    | Hexagonal Nut     |       |
| 46                                    | 112735110/0 | 2    | Screw             |       |
| 61                                    | 325207171/0 | 1    | Cover (Hydro)     |       |
| 62                                    | 112735402/0 | 2    | Screw             |       |
| 63                                    | 112523050/0 | 4    | Washer            |       |



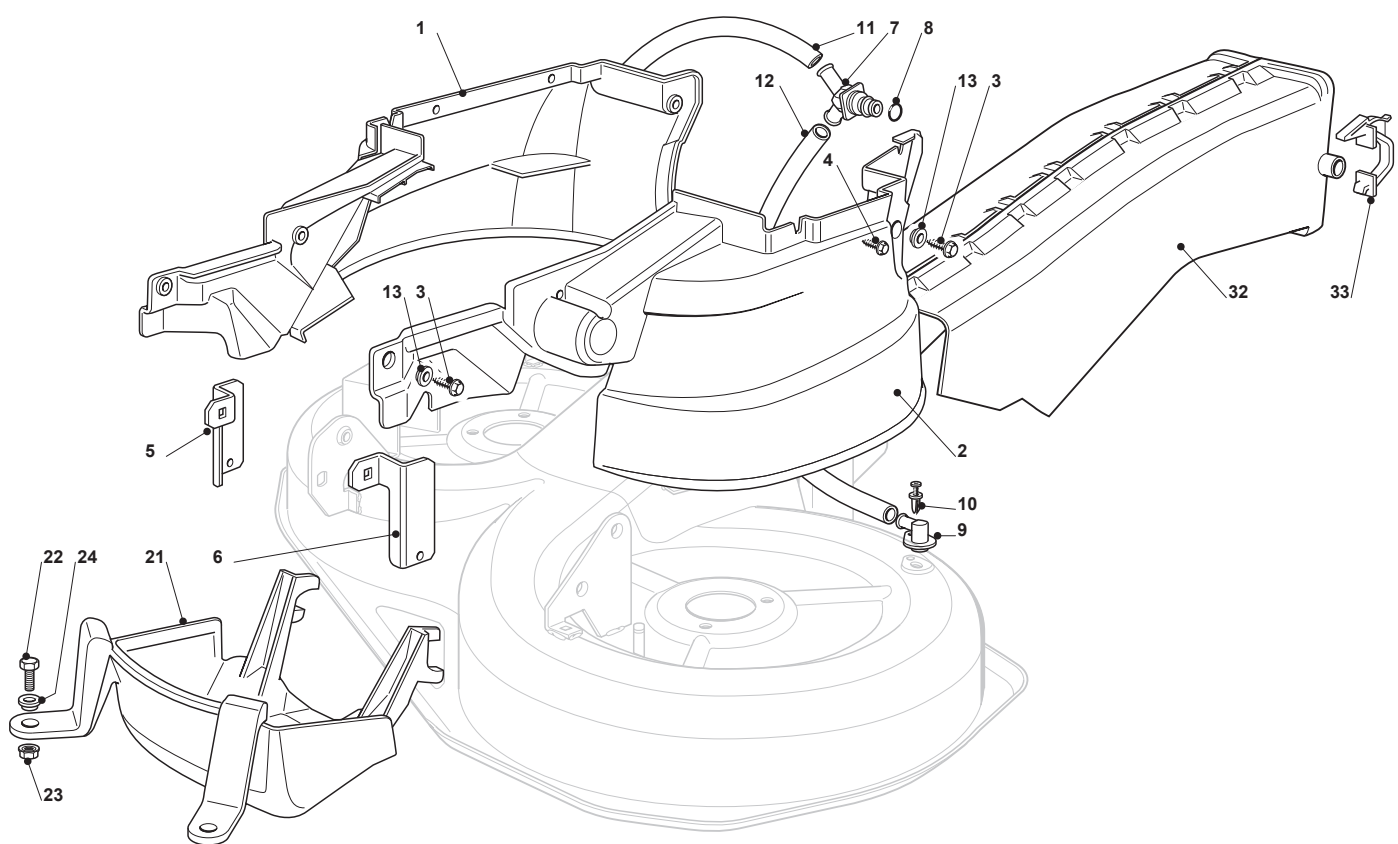
| Engine - B&S 15,5-16,5 |              |      |  |       |
|------------------------|--------------|------|--|-------|
| POS                    | CODE         | Q.TY | DESCRIPTION                              | NOTES |
| 2                      | 325869057/0  | 1    | Connecting Tube                          |       |
| 3                      | 118375051/1  | 2    | Fair Led                                 |       |
| 4                      | 118738206/0  | 1    | Discharged Connect.Tube Tc 15/102 B&S 15 |       |
| 5                      | 112583500/0  | 2    | Grower                                   |       |
| 6                      | 112735530/0  | 2    | Screw                                    |       |
| 7                      | 112691115/0  | 1    | Screw                                    |       |
| 8                      | 112540260/0  | 1    | Grower                                   |       |
| 9                      | 112154210/0  | 1    | Self-Locking Nut                         |       |
| 11                     | 1134-5827-01 | 1    | Oil Drain Assy                           |       |
| 14                     | 112793102/0  | 2    | Screw                                    |       |
| 15                     | 112540260/0  | 2    | Grower                                   |       |
| 16                     | 182750010/0  | 1    | Muffler                                  |       |
| 17                     | 112360425/0  | 2    | Nut                                      |       |
| 18                     | 382598009/2  | 1    | Muffler Protection B&S 13-15-17          |       |
| 19                     | 112792611/0  | 2    | Screw                                    |       |
| 20                     | 112583500/0  | 2    | Grower                                   |       |
| 24                     | 112154210/0  | 3    | Self-Locking Nut                         |       |
| 25                     | 112691100/0  | 3    | Screw                                    |       |
| 41                     | 112791213/1  | 2    | Screw                                    |       |
| 42                     | 112292102/0  | 2    | Nut                                      |       |
| 43                     | 118736110/0  | 1    | Starter Relay                            |       |
| 44                     | 112360352/0  | 2    | Nut                                      |       |
| 45                     | 118564861/1  | 1    | Protection                               |       |
| 46                     | 125065017/0  | 1    | Cable                                    |       |
| 61                     | 182000200/1  | 1    | Throttle Cable                           |       |
| 62                     | 125943012/0  | 2    | Screw                                    |       |
| 64                     | 325592000/0  | 1    | Knob                                     |       |
| 65                     | 112726388/0  | 1    | Screw                                    |       |
| 66                     | 112290800/0  | 1    | Hexagonal Nut                            |       |



| Transmission Hydro-Gear |             |      |                     |       |
|-------------------------|-------------|------|---------------------|-------|
| POS                     | CODE        | Q.TY | DESCRIPTION         | NOTES |
| 1                       | 118399063/0 | 1    | Clutch Assy         |       |
| 2                       | 112737320/0 | 1    | Screw               |       |
| 3                       | 112543000/0 | 1    | Washer              |       |
| 4                       | 122430216/0 | 1    | Tension Spring      |       |
| 5                       | 125601577/0 | 1    | Pulley              |       |
| 6                       | 125160021/0 | 1    | Spacer              |       |
| 7                       | 382318217/0 | 1    | Lever               |       |
| 8                       | 112691115/0 | 1    | Screw               |       |
| 9                       | 112523060/0 | 1    | Washer              |       |
| 10                      | 327670055/0 | 1    | Antifriction Washer |       |
| 11                      | 125510087/0 | 1    | Pin                 |       |
| 12                      | 112523060/0 | 1    | Washer              |       |
| 13                      | 112155000/0 | 1    | Nut                 |       |
| 14                      | 125601554/0 | 1    | Pulley              |       |
| 15                      | 112523060/0 | 1    | Washer              |       |
| 16                      | 112155000/0 | 1    | Nut                 |       |
| 17                      | 125430260/0 | 1    | Spring              |       |
| 18                      | 325755049/0 | 1    | Bracket             |       |
| 19                      | 125840005/0 | 1    | Tie Rod             |       |
| 20                      | 112293200/0 | 2    | Hexagonal Nut       |       |
| 21                      | 112818690/0 | 1    | Screw               |       |
| 22                      | 112293201/0 | 1    | Nut                 |       |
| 23                      | 135062013/0 | 1    | Belt                |       |
| 24                      | 118802723/0 | 1    | Fan Kit             |       |
| 41                      | 125160080/0 | 1    | Pin                 |       |
| 42                      | 112691800/0 | 1    | Screw               |       |
| 43                      | 325601599/0 | 1    | Pulley              |       |
| 44                      | 112523060/0 | 1    | Washer              |       |
| 45                      | 112155000/0 | 1    | Nut                 |       |
| 46                      | 125160024/2 | 1    | Right Spacer        |       |
| 47                      | 125160030/2 | 1    | Left Spacer         |       |
| 48                      | 112691400/0 | 1    | Screw               |       |
| 49                      | 112691115/0 | 1    | Screw               |       |
| 50                      | 125601588/0 | 2    | Pulley              |       |
| 51                      | 122671653/0 | 2    | Washer              |       |
| 52                      | 112155000/0 | 2    | Nut                 |       |
| 53                      | 118400919/2 | 1    | Rear Axle           |       |
| 54                      | 112691600/0 | 4    | Screw               |       |
| 55                      | 112154210/0 | 4    | Self-Locking Nut    |       |
| 56                      | 382785199/0 | 1    | Support             |       |
| 57                      | 112691700/0 | 1    | Screw               |       |
| 58                      | 112155000/0 | 1    | Nut                 |       |
| 59                      | 112793701/0 | 1    | Screw               |       |
| 60                      | 112523060/0 | 2    | Washer              |       |
| 61                      | 112155000/0 | 1    | Nut                 |       |
| 62                      | 325318253/0 | 1    | Lever               |       |
| 63                      | 112791213/1 | 1    | Screw               |       |
| 64                      | 112154210/0 | 1    | Self-Locking Nut    |       |
| 69                      | 125160058/0 | 2    | Spacer              |       |
| 70                      | 125670005/1 | 2    | Washer              |       |
| 71                      | 325670025/0 | 2    | Washer              |       |
| 74                      | 114361451/0 | 1    | Label               |       |



| <b>Cutting Plate Lifting</b> |             |             |                     |              |
|------------------------------|-------------|-------------|---------------------|--------------|
| <b>POS</b>                   | <b>CODE</b> | <b>Q.TY</b> | <b>DESCRIPTION</b>  | <b>NOTES</b> |
| 1                            | 382774249/0 | 1           | Clamp               |              |
| 2                            | 382318219/1 | 1           | Lever               |              |
| 3                            | 325394535/0 | 1           | Knob                |              |
| 4                            | 112674700/0 | 1           | Screw               |              |
| 5                            | 112154510/0 | 1           | Nut                 |              |
| 6                            | 325650113/0 | 1           | Plate               |              |
| 7                            | 112818690/0 | 2           | Screw               |              |
| 8                            | 112155000/0 | 2           | Nut                 |              |
| 9                            | 122041980/0 | 2           | Bush                |              |
| 10                           | 112523060/0 | 2           | Washer              |              |
| 11                           | 112691600/0 | 1           | Screw               |              |
| 12                           | 112155000/0 | 1           | Nut                 |              |
| 13                           | 125430259/0 | 1           | Spring              |              |
| 14                           | 325735511/0 | 1           | Sector              |              |
| 15                           | 112818690/0 | 2           | Screw               |              |
| 16                           | 112293201/0 | 2           | Nut                 |              |
| 17                           | 382000387/0 | 1           | Axle                |              |
| 18                           | 325547041/1 | 2           | Plate               |              |
| 19                           | 112731580/0 | 4           | Screw               |              |
| 20                           | 382000618/0 | 1           | Rod                 |              |
| 21                           | 325670011/0 | 1           | Antifriction Washer |              |
| 22                           | 124487997/0 | 1           | Cotter Pin          |              |
| 23                           | 112523040/0 | 1           | Washer              |              |
| 24                           | 112154210/0 | 1           | Self-Locking Nut    |              |
| 25                           | 122446402/1 | 1           | Spring              |              |
| 26                           | 112792410/0 | 1           | Screw               |              |
| 27                           | 112292102/0 | 2           | Nut                 |              |
| 28                           | 382000537/0 | 1           | Connecting Rod      |              |
| 29                           | 325670008/1 | 2           | Washer              |              |
| 30                           | 112156602/0 | 1           | Nut                 |              |
| 31                           | 124487998/0 | 1           | Cotter Pin          |              |
| 32                           | 125840025/0 | 1           | Tie Rod             |              |
| 33                           | 325670008/1 | 1           | Washer              |              |
| 34                           | 124487998/0 | 1           | Cotter Pin          |              |
| 35                           | 125510090/0 | 1           | Pin                 |              |
| 36                           | 112295200/0 | 1           | Hexagonal Nut       |              |
| 37                           | 112156602/0 | 1           | Nut                 |              |
| 38                           | 325670008/1 | 2           | Washer              |              |
| 39                           | 112156602/0 | 1           | Nut                 |              |
| 40                           | 112521360/0 | 2           | Washer              |              |
| 41                           | 382000385/0 | 1           | Axle                |              |
| 42                           | 327546015/2 | 2           | Plate               |              |
| 43                           | 112731350/0 | 4           | Screw               |              |
| 44                           | 125840024/0 | 1           | Tie Rod             |              |
| 45                           | 325670008/1 | 1           | Washer              |              |
| 46                           | 124487998/0 | 1           | Cotter Pin          |              |
| 47                           | 125510098/0 | 1           | Pin                 |              |
| 48                           | 112295200/0 | 1           | Hexagonal Nut       |              |
| 49                           | 112156602/0 | 1           | Nut                 |              |
| 50                           | 325670008/1 | 2           | Washer              |              |
| 51                           | 112156602/0 | 1           | Nut                 |              |
| 52                           | 125840025/0 | 1           | Tie Rod             |              |
| 53                           | 325670008/1 | 1           | Washer              |              |
| 54                           | 124487998/0 | 1           | Cotter Pin          |              |
| 55                           | 125510090/0 | 1           | Pin                 |              |
| 56                           | 112295200/0 | 1           | Hexagonal Nut       |              |
| 57                           | 112156602/0 | 1           | Nut                 |              |
| 58                           | 325670008/1 | 2           | Washer              |              |
| 59                           | 112156602/0 | 1           | Nut                 |              |

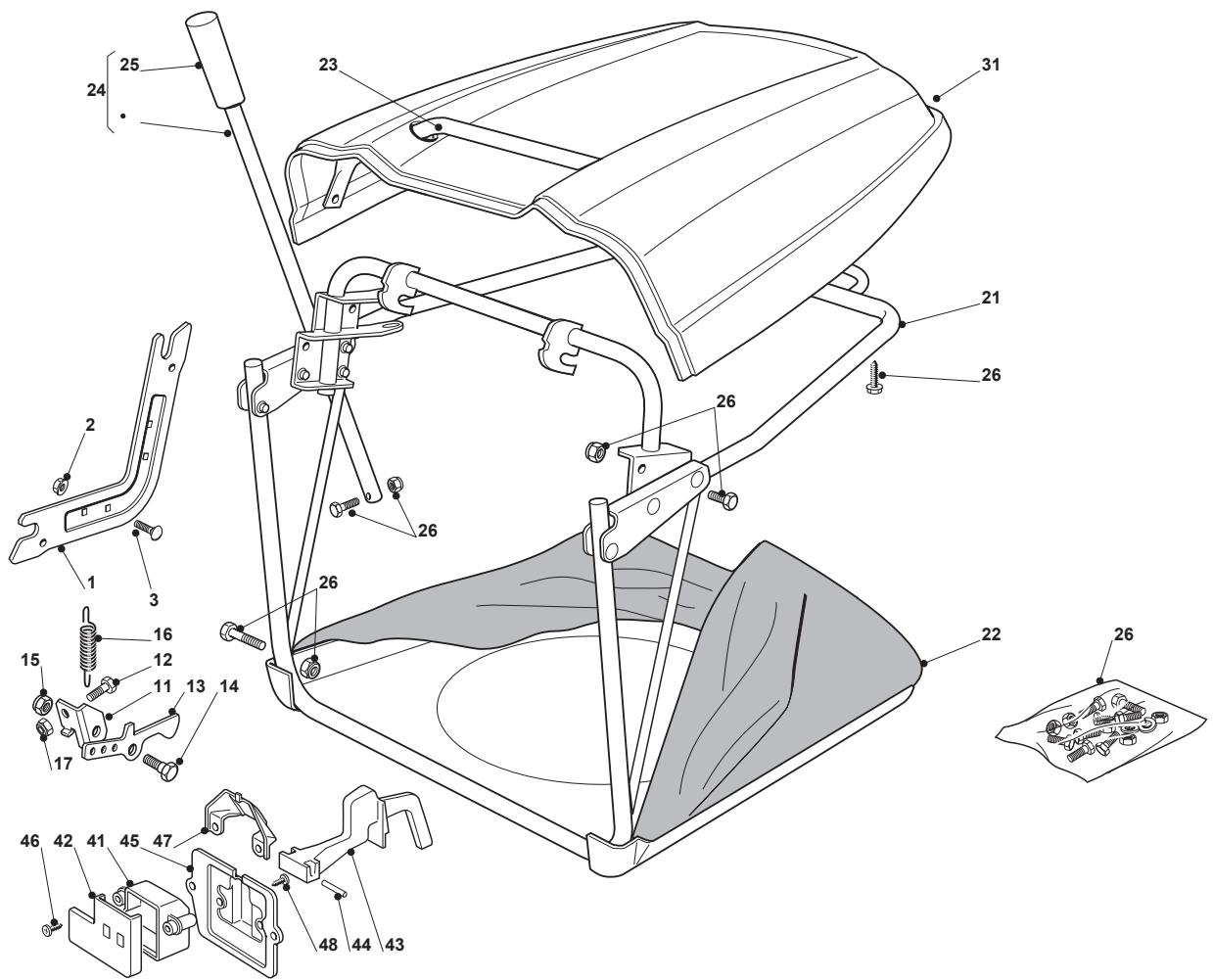




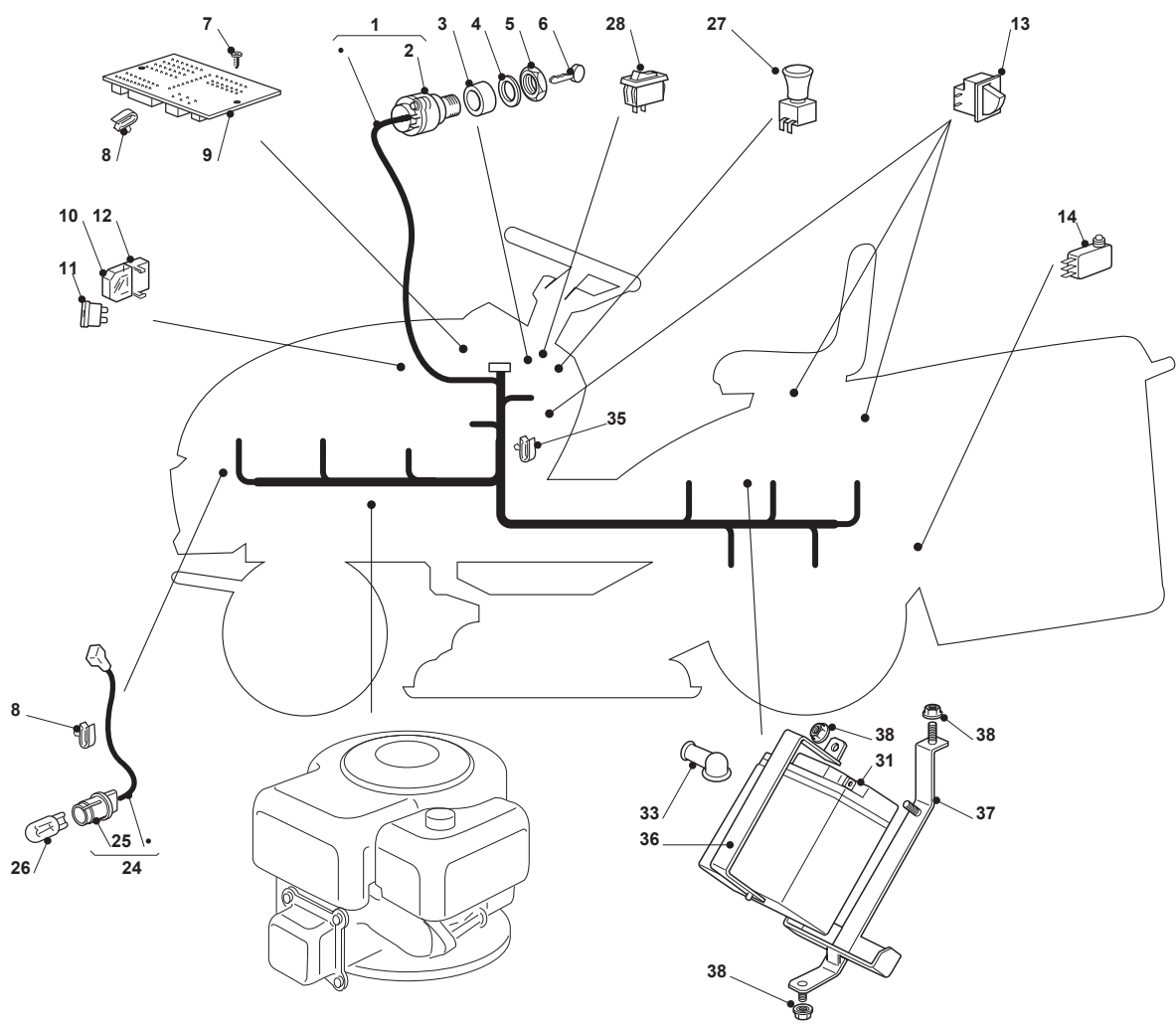
| Guards |             |      |                       |       |
|--------|-------------|------|-----------------------|-------|
| POS    | CODE        | Q.TY | DESCRIPTION           | NOTES |
| 1      | 325060121/1 | 1    | Case                  |       |
| 2      | 325060122/0 | 1    | Case                  |       |
| 3      | 112735120/0 | 6    | Screw                 |       |
| 4      | 112728535/0 | 4    | Screw                 |       |
| 5      | 325774381/0 | 1    | Bracket               |       |
| 6      | 325774383/0 | 1    | Bracket               |       |
| 7      | 325033066/0 | 1    | Water Hose Connection |       |
| 8      | 112000970/0 | 1    | O.R. Ring             |       |
| 9      | 325033065/0 | 2    | Water Hose Connection |       |
| 10     | 112500030/0 | 2    | Rivet                 |       |
| 11     | 325869069/0 | 1    | Connecting Tube       |       |
| 12     | 325869068/0 | 1    | Connecting Tube       |       |
| 13     | 325160039/0 | 6    | Spacer                |       |
| 21     | 325060127/0 | 1    | Case                  |       |
| 22     | 112791400/0 | 2    | Screw                 |       |
| 23     | 112154510/0 | 2    | Nut                   |       |
| 24     | 325160039/0 | 2    | Spacer                |       |
| 32     | 382108008/1 | 1    | Conveyor              |       |
| 33     | 325774373/0 | 2    | Clamp                 |       |



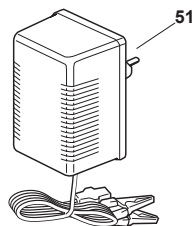
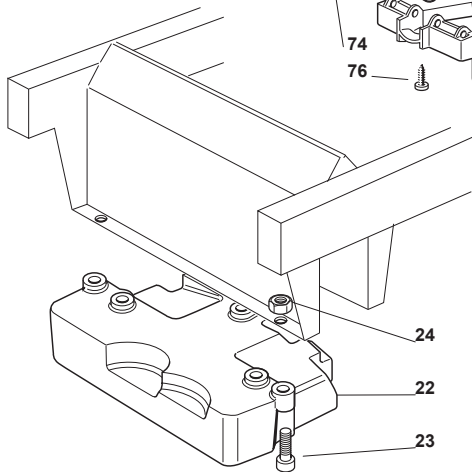
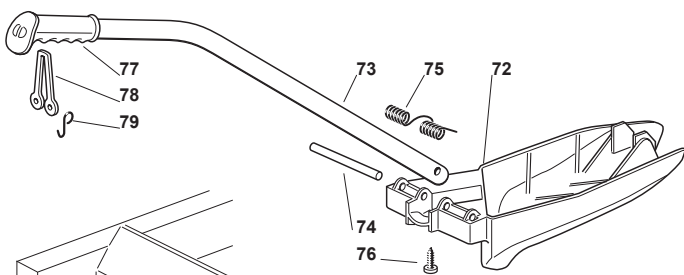
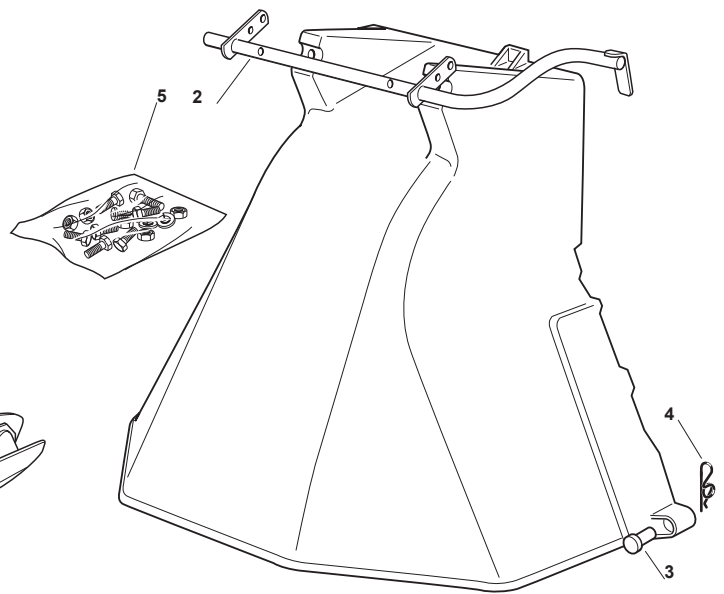
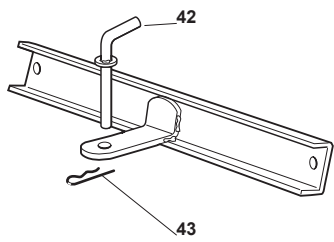
| Cutting Deck |             |      |                             |       |
|--------------|-------------|------|-----------------------------|-------|
| POS          | CODE        | Q.TY | DESCRIPTION                 | NOTES |
| 1            | 382564075/0 | 1    | Cutting Plate Black         |       |
| 2            | 382207202/0 | 1    | Left Flange Ass.Y           |       |
| 3            | 125020802/0 | 1    | Shaft                       |       |
| 5            | 119216047/0 | 2    | Bearing                     |       |
| 6            | 325160501/0 | 1    | Dust Cover Disc             |       |
| 7            | 112609260/0 | 1    | Seeger                      |       |
| 8            | 382207203/0 | 1    | Right Flange Assy           |       |
| 9            | 125020803/0 | 1    | Secondary Blade Shaft       |       |
| 11           | 119216047/0 | 2    | Bearing                     |       |
| 12           | 325160501/0 | 1    | Dust Cover Disc             |       |
| 13           | 112609260/0 | 1    | Seeger                      |       |
| 14           | 112139480/0 | 2    | Feather                     |       |
| 15           | 112818700/0 | 6    | Screw                       |       |
| 16           | 112154210/0 | 6    | Self-Locking Nut            |       |
| 17           | 125601563/0 | 2    | Pulley                      |       |
| 18           | 125670007/0 | 2    | Washer                      |       |
| 19           | 112583500/0 | 2    | Grower                      |       |
| 20           | 112793102/0 | 2    | Screw                       |       |
| 21           | 125160079/0 | 1    | Spacer                      |       |
| 22           | 125670007/0 | 1    | Washer                      |       |
| 23           | 325601599/0 | 1    | Pulley                      |       |
| 24           | 112691115/0 | 1    | Screw                       |       |
| 25           | 112523060/0 | 1    | Washer                      |       |
| 26           | 112155000/0 | 1    | Nut                         |       |
| 27           | 135065701/0 | 1    | Belt                        |       |
| 31           | 382318141/2 | 1    | Lever                       |       |
| 32           | 112691700/0 | 1    | Screw                       |       |
| 33           | 112523070/0 | 2    | Washer                      |       |
| 34           | 322672152/0 | 2    | Antifriction Washer         |       |
| 35           | 112155000/0 | 1    | Nut                         |       |
| 36           | 125601564/1 | 1    | Pulley                      |       |
| 37           | 119216048/0 | 1    | Bearing                     |       |
| 38           | 112610800/0 | 1    | Snap Ring                   |       |
| 39           | 112609200/0 | 1    | Seeger                      |       |
| 40           | 382004618/0 | 1    | Wire                        |       |
| 41           | 382774215/3 | 1    | Clamp                       |       |
| 42           | 112792611/0 | 1    | Screw                       |       |
| 43           | 112293201/0 | 1    | Nut                         |       |
| 51           | 112139100/0 | 2    | Key                         |       |
| 52           | 125463200/0 | 2    | Blade Hub                   |       |
| 53           | 182004352/0 | 1    | Right Mulching Blade        |       |
| 54           | 181004346/3 | 1    | Blade                       |       |
| 57           | 122160400/0 | 2    | Elastic Disk                |       |
| 58           | 112523080/0 | 2    | Washer                      |       |
| 59           | 112735695/1 | 1    | Screw                       |       |
| 60           | 112735694/0 | 1    | Screw                       |       |
| 61           | 382000535/0 | 1    | Equalizer Rod               |       |
| 62           | 382000533/0 | 1    | Equalizer Rod               |       |
| 63           | 325670008/1 | 4    | Washer                      |       |
| 64           | 112156602/0 | 2    | Nut                         |       |
| 65           | 325670008/1 | 2    | Washer                      |       |
| 66           | 124487998/0 | 2    | Cotter Pin                  |       |
| 53a          | 182004354/0 | 1    | Right Blade, Winged         |       |
| 53b          | 182004345/1 | 1    | Right Blade, Winged         |       |
| 54a          | 182004353/0 | 1    | Left Blade Mulching, Winged |       |
| 54b          | 182004344/1 | 1    | Left Blade, Winged          |       |



| Grasscatcher |             |      |                                |       |
|--------------|-------------|------|--------------------------------|-------|
| POS          | CODE        | Q.TY | DESCRIPTION                    | NOTES |
| 1            | 325785275/0 | 2    | Support                        |       |
| 2            | 112818690/0 | 4    | Screw                          |       |
| 3            | 112293201/0 | 4    | Nut                            |       |
| 11           | 325755031/1 | 1    | Bracket                        |       |
| 12           | 112789000/0 | 1    | Screw                          |       |
| 13           | 325774315/1 | 1    | Bracket                        |       |
| 14           | 125510080/1 | 1    | Pin                            |       |
| 15           | 112292102/0 | 1    | Nut                            |       |
| 16           | 122450432/0 | 1    | Spring                         |       |
| 17           | 112154330/0 | 1    | Low Self-Locking Nut           |       |
| 21           | 382800111/0 | 1    | Front Frame                    |       |
| 22           | 182105973/0 | 1    | Grasscatcher                   |       |
| 23           | 382394003/0 | 1    | Front Handle                   |       |
| 24           | 382869023/0 | 1    | Rod                            |       |
| 25           | 125394508/0 | 1    | Knob                           |       |
| 26           | 382180048/0 | 1    | Screw                          |       |
| 31           | 325110319/0 | 1    | Yellow Grass-Catcher Cover     |       |
| 41           | 125600041/0 | 1    | Grassc.Full Micro Protection   |       |
| 42           | 125600042/0 | 1    | Grasscatcher Micro Prot Cover  |       |
| 43           | 125318124/0 | 1    | Full Grassc. Microswitch Cover |       |
| 44           | 112400030/0 | 1    | Pin                            |       |
| 45           | 325785272/0 | 1    | Micro Protection               |       |
| 46           | 112728510/0 | 1    | Screw                          |       |
| 47           | 125600048/0 | 1    | Empty Micro Grassc.Protection  |       |
| 48           | 112735110/0 | 2    | Screw                          |       |

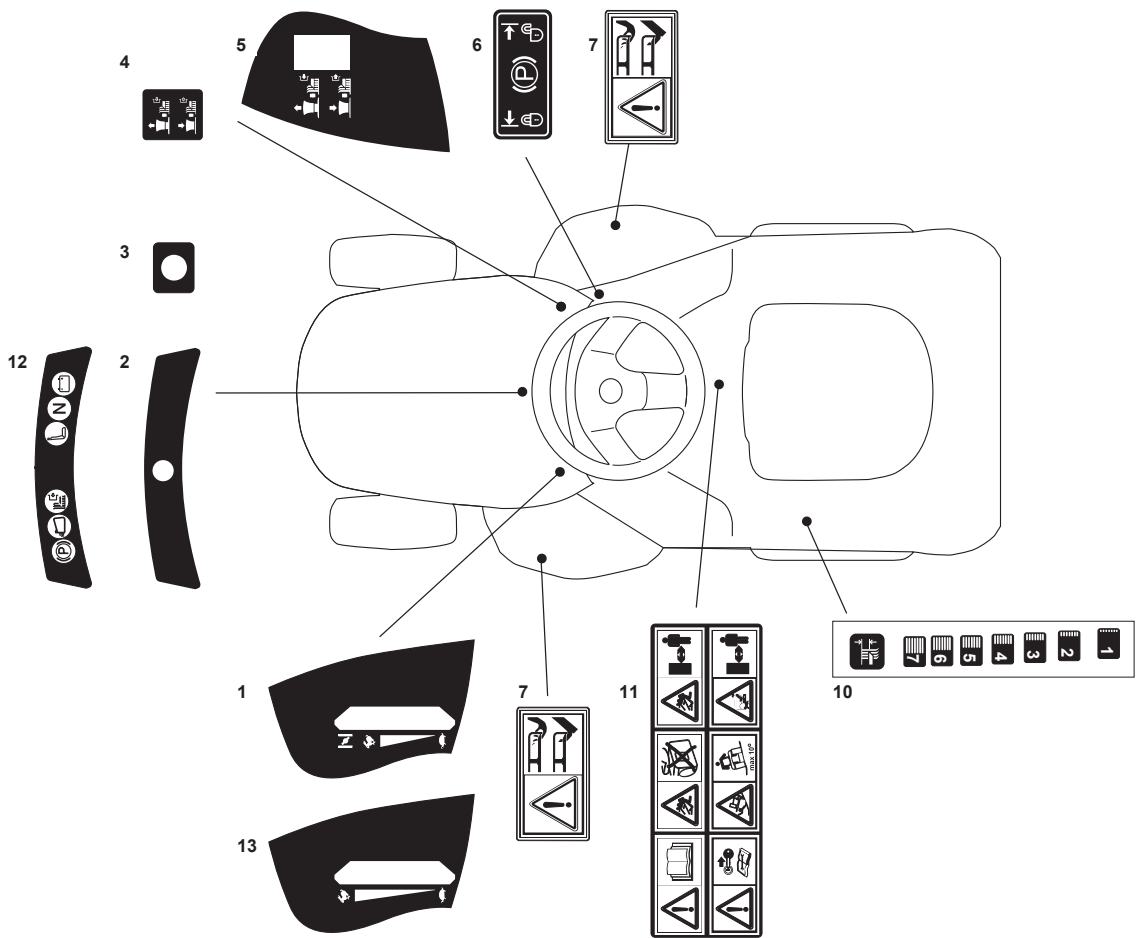


| <b>Electric Parts</b> |             |             |                         |              |
|-----------------------|-------------|-------------|-------------------------|--------------|
| <b>POS</b>            | <b>CODE</b> | <b>Q.TY</b> | <b>DESCRIPTION</b>      | <b>NOTES</b> |
| 1                     | 182040153/0 | 1           | Cables Ass.Y            |              |
| 2                     | 118450072/0 | 1           | Starting Switch         |              |
| 3                     | 118550136/0 | 1           | Spacer                  |              |
| 4                     | 118550135/0 | 1           | Washer                  |              |
| 5                     | 118400862/0 | 1           | Ring Nut                |              |
| 6                     | 118210022/0 | 1           | Starting Key            |              |
| 7                     | 112727810/0 | 3           | Screw                   |              |
| 8                     | 133320506/0 | 2           | Fairlead                |              |
| 9                     | 125722431/0 | 1           | Electronic Card (6 Led) |              |
| 10                    | 133215000/0 | 2           | Cover                   |              |
| 11                    | 133340036/0 | 1           | Fuse 25 A               |              |
| 11                    | 133340040/0 | 1           | Lamellar Fusible 10A    |              |
| 12                    | 133500007/0 | 2           | Fuse Carrier            |              |
| 13                    | 119410615/0 | 3           | Micro Switch            |              |
| 14                    | 119410605/1 | 1           | Micro Switch            |              |
| 24                    | 182040073/0 | 1           | Lamp Holder             |              |
| 25                    | 133500030/0 | 2           | Lamp Holder             |              |
| 26                    | 118459100/0 | 2           | Lamp For Lights         |              |
| 27                    | 118450068/0 | 1           | Delta Switch            |              |
| 28                    | 118450060/1 | 1           | Headlight Interrupt     |              |
| 31                    | 118120002/1 | 1           | Combinat.Battery        |              |
| 33                    | 118564861/1 | 1           | Protection              |              |
| 35                    | 133320506/0 | 9           | Fairlead                |              |
| 36                    | 327772099/1 | 1           | Clamp                   |              |
| 37                    | 382785191/0 | 1           | Battery Support         |              |
| 38                    | 112155000/0 | 3           | Nut                     |              |

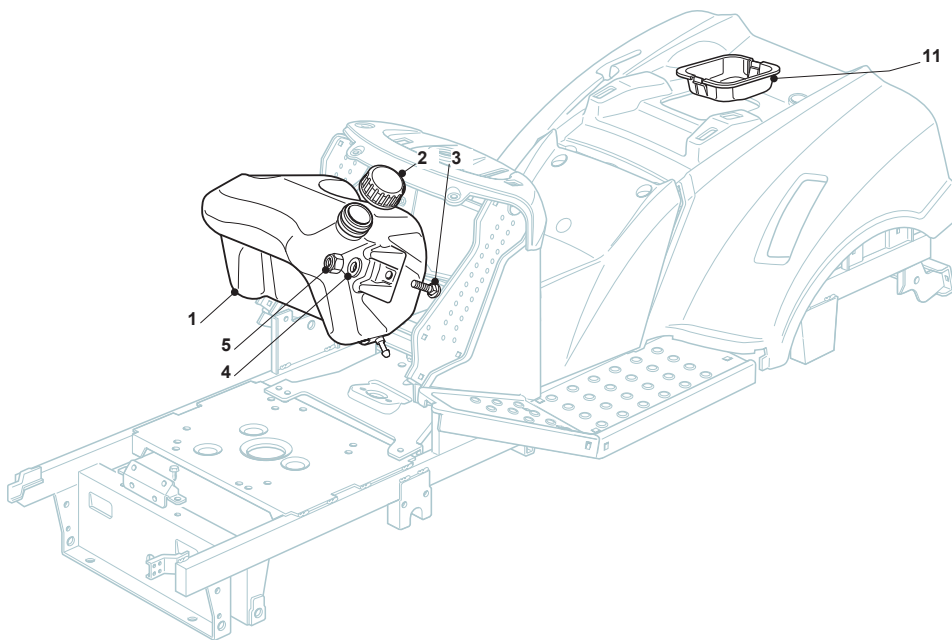




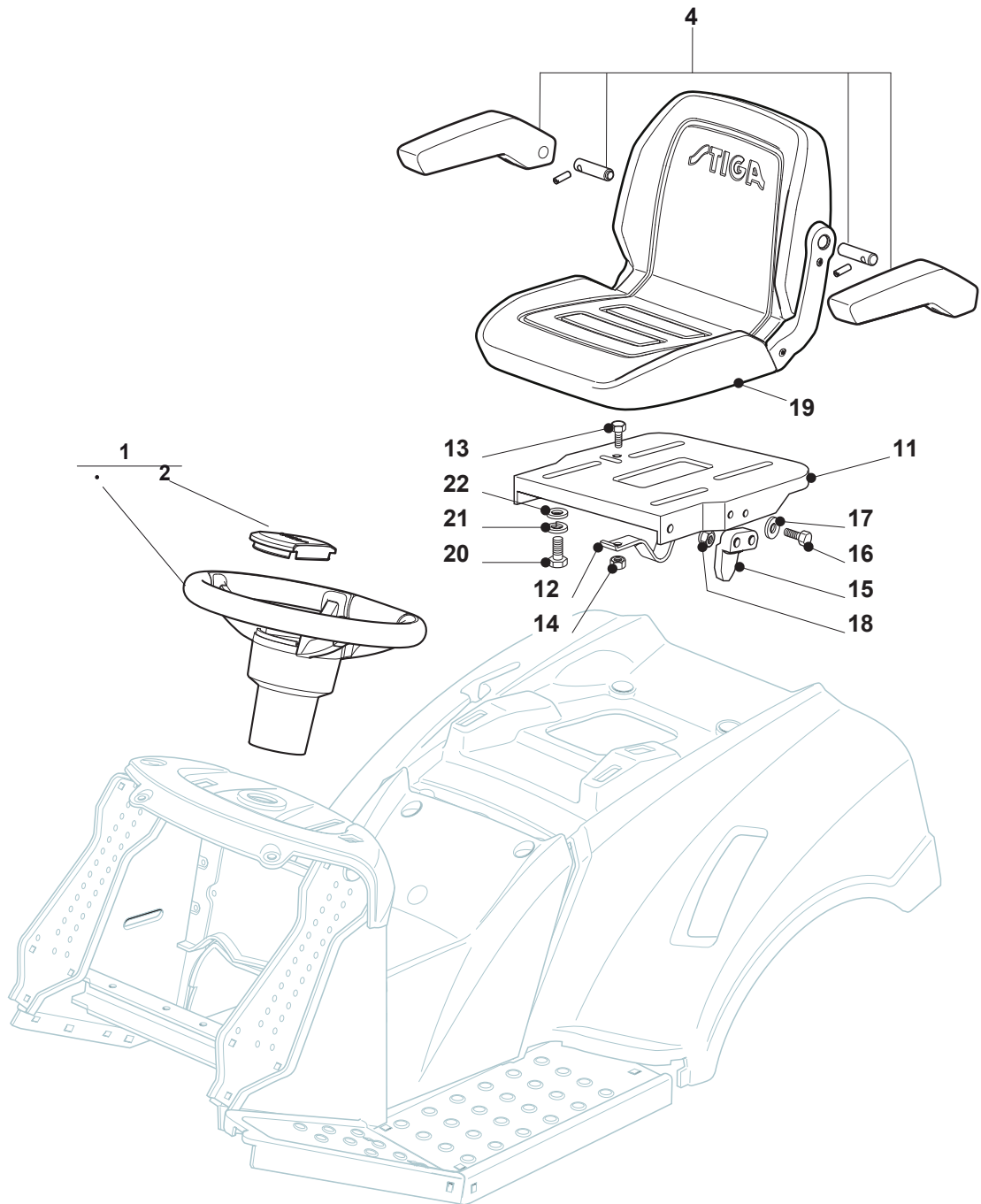
| Optionals On Request |             |      |                       |         |
|----------------------|-------------|------|-----------------------|---------|
| POS                  | CODE        | Q.TY | DESCRIPTION           | NOTES   |
| 2                    | 382869035/0 | 1    | Support               |         |
| 3                    | 125510022/0 | 2    | Pin                   |         |
| 4                    | 124487998/0 | 2    | Cotter Pin            |         |
| 5                    | 382180062/0 | 1    | Screw                 |         |
| 22                   | 125519997/1 | 1    | Front Weight Tc       |         |
| 23                   | 112760520/0 | 3    | Screw                 |         |
| 24                   | 112155000/0 | 3    | Nut                   |         |
| 42                   | 125510021/1 | 1    | Hitch Pin             |         |
| 43                   | 124487999/0 | 1    | Spring Pin            |         |
| 51                   | 182180050/0 | 1    | Battery Charger 0,6A  | CE plug |
| 72                   | 325140093/0 | 1    | Deflector             |         |
| 73                   | 325394007/0 | 1    | Handle                |         |
| 74                   | 125510077/0 | 1    | Pin                   |         |
| 75                   | 125430245/0 | 1    | Spring                |         |
| 76                   | 112735410/0 | 1    | Screw                 |         |
| 77                   | 325280000/1 | 1    | Handgrip              |         |
| 78                   | 125840011/1 | 1    | Tie Rod               |         |
| 79                   | 125253004/0 | 2    | Mulch.Kit Fixing Hook |         |



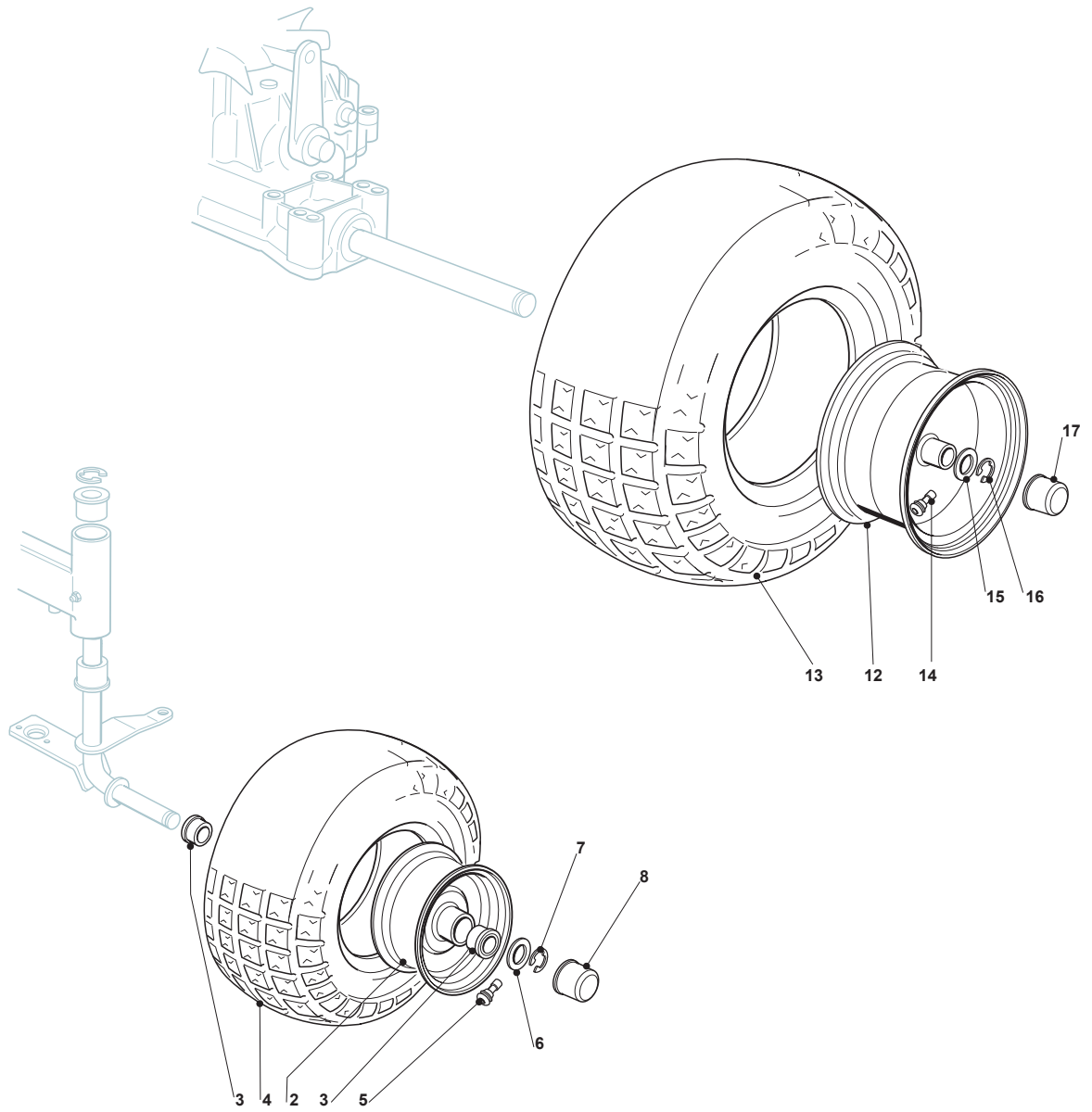
| Labels |             |      |             |       |
|--------|-------------|------|-------------|-------|
| POS    | CODE        | Q.TY | DESCRIPTION | NOTES |
| 1      | 114361440/0 | 1    | Label       |       |
| 5      | 114361439/0 | 1    | Label       |       |
| 6      | 114361452/0 | 1    | Label       |       |
| 7      | 114356699/1 | 2    | Label       |       |
| 10     | 114361441/0 | 1    | Label       |       |
| 11     | 114361553/0 | 1    | Label       |       |
| 12     | 125420020/0 | 1    | Label       |       |



| Tank 5,5 Lt |             |      |             |       |
|-------------|-------------|------|-------------|-------|
| POS         | CODE        | Q.TY | DESCRIPTION | NOTES |
| 1           | 325735128/0 | 1    | Tank        |       |
| 2           | 125795000/1 | 1    | Fuel Cap    |       |
| 3           | 112815210/0 | 2    | Screw       |       |
| 4           | 325160039/0 | 2    | Spacer      |       |
| 5           | 112154510/0 | 2    | Nut         |       |
| 11          | 325207176/0 | 1    | Basin       |       |



| <b>Steering Wheel</b> |             |             |                    |              |
|-----------------------|-------------|-------------|--------------------|--------------|
| <b>POS</b>            | <b>CODE</b> | <b>Q.TY</b> | <b>DESCRIPTION</b> | <b>NOTES</b> |
| 1                     | 325961222/1 | 1           | Steering Wheel     |              |
| 2                     | 325580508/0 | 1           | Steering Plate     |              |
| 4                     | 382735810/0 | 1           | Seat Assy          |              |
| 11                    | 325547033/1 | 1           | Seat Plate         |              |
| 12                    | 125430223/2 | 1           | Spring             |              |
| 13                    | 112789000/0 | 1           | Screw              |              |
| 14                    | 112154330/0 | 1           | Low Nut            |              |
| 15                    | 327063021/1 | 1           | Cam                |              |
| 16                    | 112789100/0 | 2           | Screw              |              |
| 17                    | 112523020/0 | 2           | Washer             |              |
| 18                    | 112154330/0 | 2           | Low Nut            |              |
| 19                    | 125722478/0 | 1           | Seat               |              |
| 20                    | 112793101/0 | 4           | Screw              |              |
| 21                    | 112583500/0 | 4           | Grower             |              |
| 22                    | 112523060/0 | 4           | Washer             |              |





| <b>Wheels</b> |             |             |                    |              |
|---------------|-------------|-------------|--------------------|--------------|
| <b>POS</b>    | <b>CODE</b> | <b>Q.TY</b> | <b>DESCRIPTION</b> | <b>NOTES</b> |
| 2             | 182000590/1 | 2           | Rimm               |              |
| 3             | 125122200/2 | 4           | Bearing            |              |
| 4             | 125590020/0 | 2           | Tyre               |              |
| 5             | 125950000/0 | 2           | Valve              |              |
| 6             | 125670005/1 | 2           | Washer             |              |
| 7             | 112001000/0 | 2           | Benzing Ring       |              |
| 8             | 122110230/0 | 2           | Hub Cover          |              |
| 12            | 182000592/0 | 2           | Rear Wheel Rimm    |              |
| 13            | 125590022/0 | 2           | Tyre               |              |
| 14            | 125950000/0 | 2           | Valve              |              |
| 15            | 125670005/1 | 2           | Washer             |              |
| 16            | 112001010/0 | 2           | Benzing Ring       |              |
| 17            | 122110230/0 | 2           | Hub Cover          |              |