



[www.stiga.com](http://www.stiga.com)

# Illustrated Parts List

for model:

**COMBI 53 S B**

- Use GLOBAL GARDEN PRODUCT genuine spare parts specified in the parts list for repair and/or replacement.
- Then contents described in the parts list may change due to improvement.
- The drawings of the spare part are only indicative and might not represent the part in question exactly.
- The indications "right" - "left" - "front" - "rear" refer to the position of the operator when using the machine.
- When placing orders of parts for repair and/or replacement, make sure that the illustrated parts list is the one applying to the machine's year of manufacture, as shown on the identification plate attached to the machine.

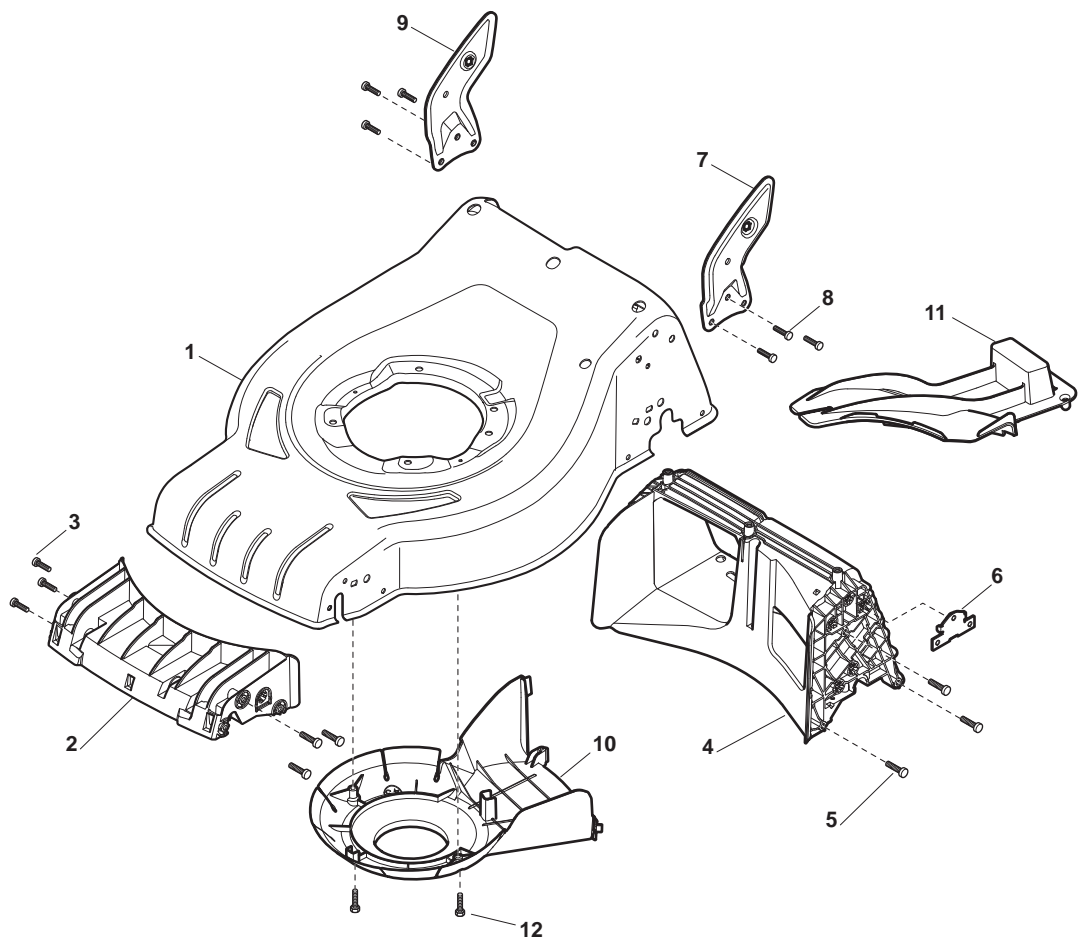
© Copyright 2014 Global Garden Products

All content is subject to copyright by Global Garden Products and may not be reproduced in whole or in part by any means, electronic or otherwise, without prior written approval.

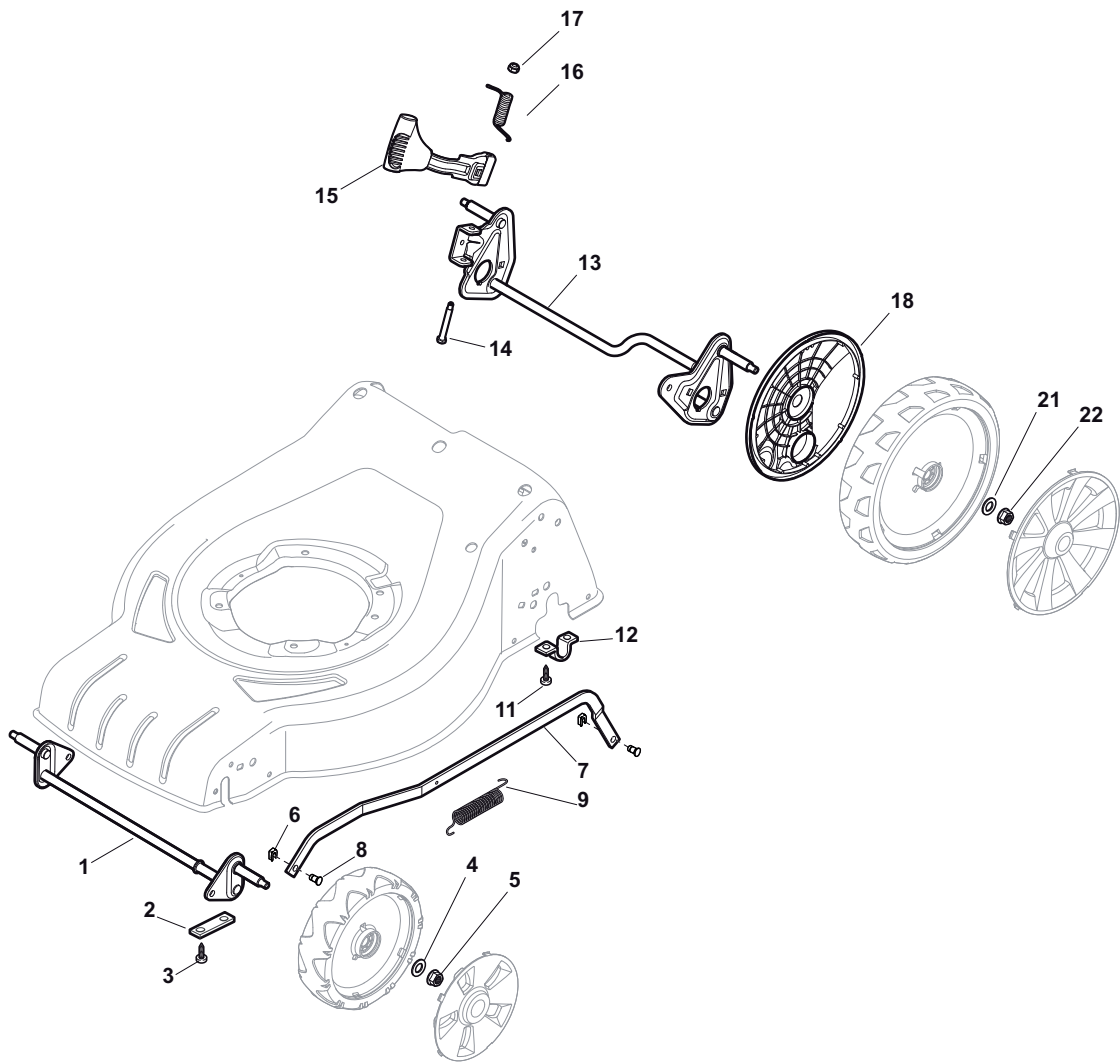
THIS INFORMATION IS NOT INTENDED FOR SALE OR RESALE, AND THIS NOTICE MUST REMAIN ON ALL COPIES.

[www.ggp-group.com](http://www.ggp-group.com)

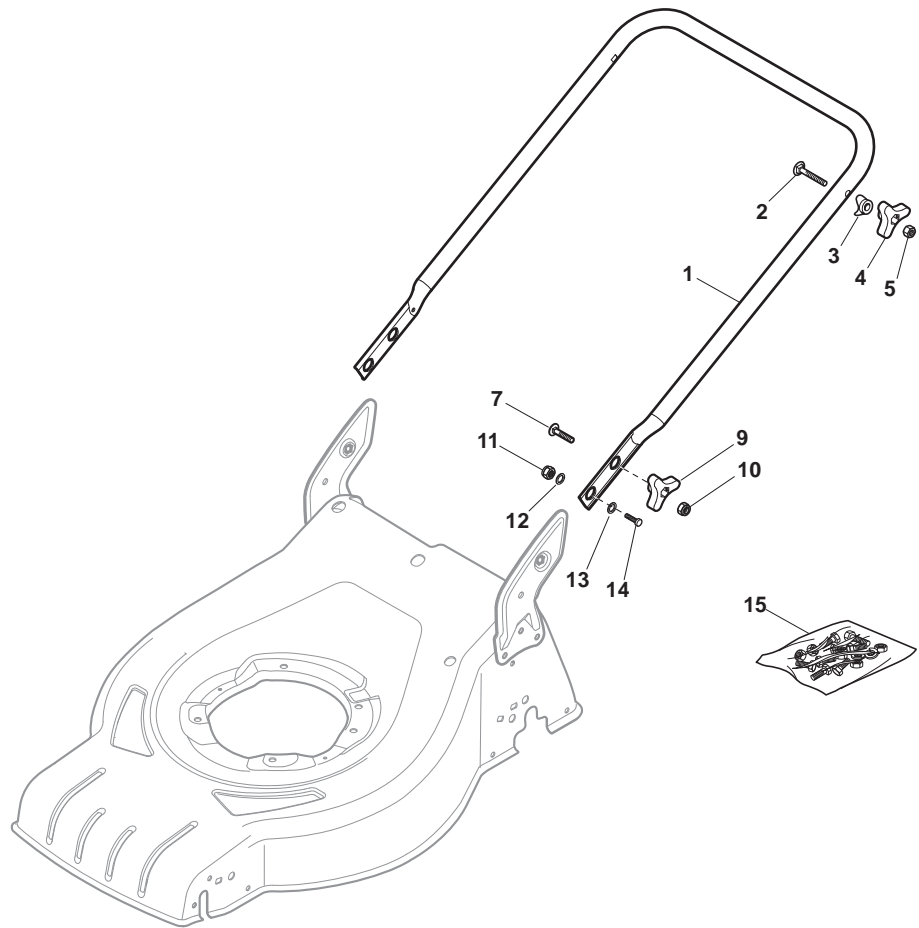




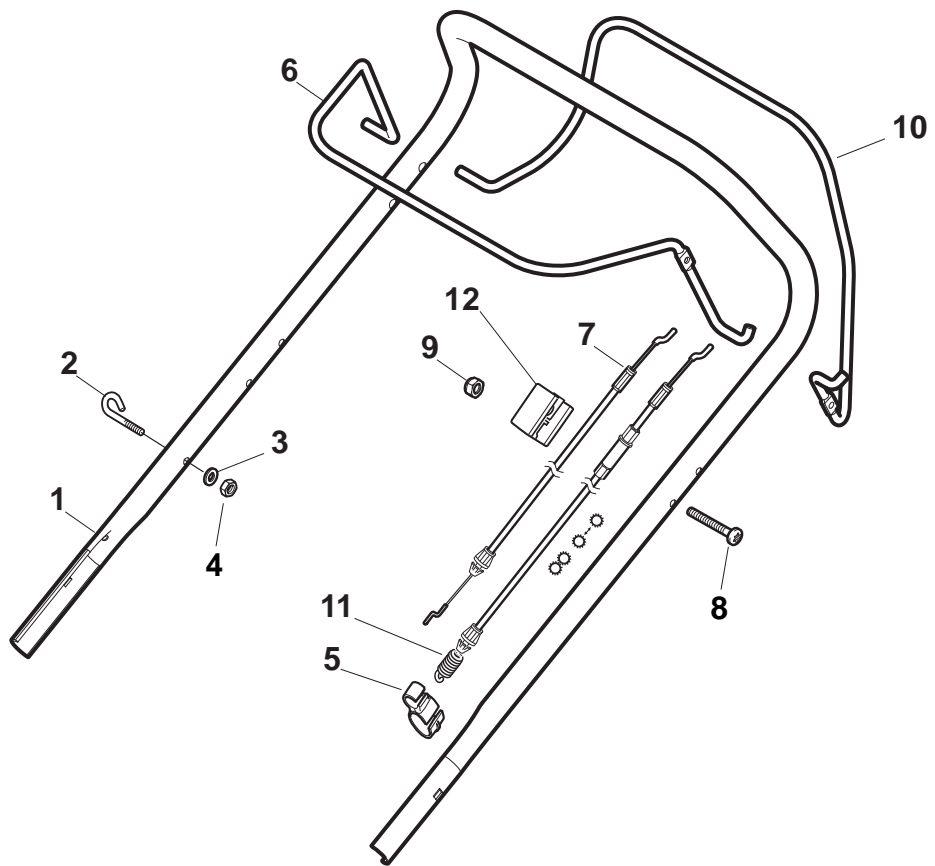
Deck				
POS	CODE	Q.TY	DESCRIPTION	NOTES
1	381004730/0	1	Deck Grey	
2	322108308/0	1	Front Conveyor Assy	
3	112728699/0	6	Screw	
4	322108302/0	1	Rear Conveyor Assy	
5	112728699/0	6	Screw	
6	322545213/0	2	Plate	
7	381005167/0	1	Bracket, L	
8	112727801/0	6	Screw	
9	381005165/0	1	Bracket, R	
10	322060250/0	1	Protection, Belt	
11	322140244/0	1	Deflector	
12	112728530/0	2	Screw	



Deck And Height Adjusting				
POS	CODE	Q.TY	DESCRIPTION	NOTES
1	381302853/0	1	Axle, Front Wheels	
2	322545142/0	2	Plate	
3	112728698/0	4	Screw	
4	112521350/0	2	Washer	
5	112155000/0	2	Nut	
6	112436051/0	2	Plate	
7	322869679/0	1	Rod, Height Adjustment	
8	122519823/0	2	Pin	
9	122446193/0	1	Spring	
11	112728698/0	4	Screw	
12	322545152/0	2	Plate	
13	381302849/0	1	Axle, Rear Wheels	
14	122534131/0	1	Pin	
15	381003357/0	1	Lever, Height Adjustment	
16	122446192/0	1	Spring	
17	112154510/0	1	Nut	
18	322600240/0	2	Protection, Wheel	
21	112521350/0	2	Washer	
22	112155000/0	2	Nut	

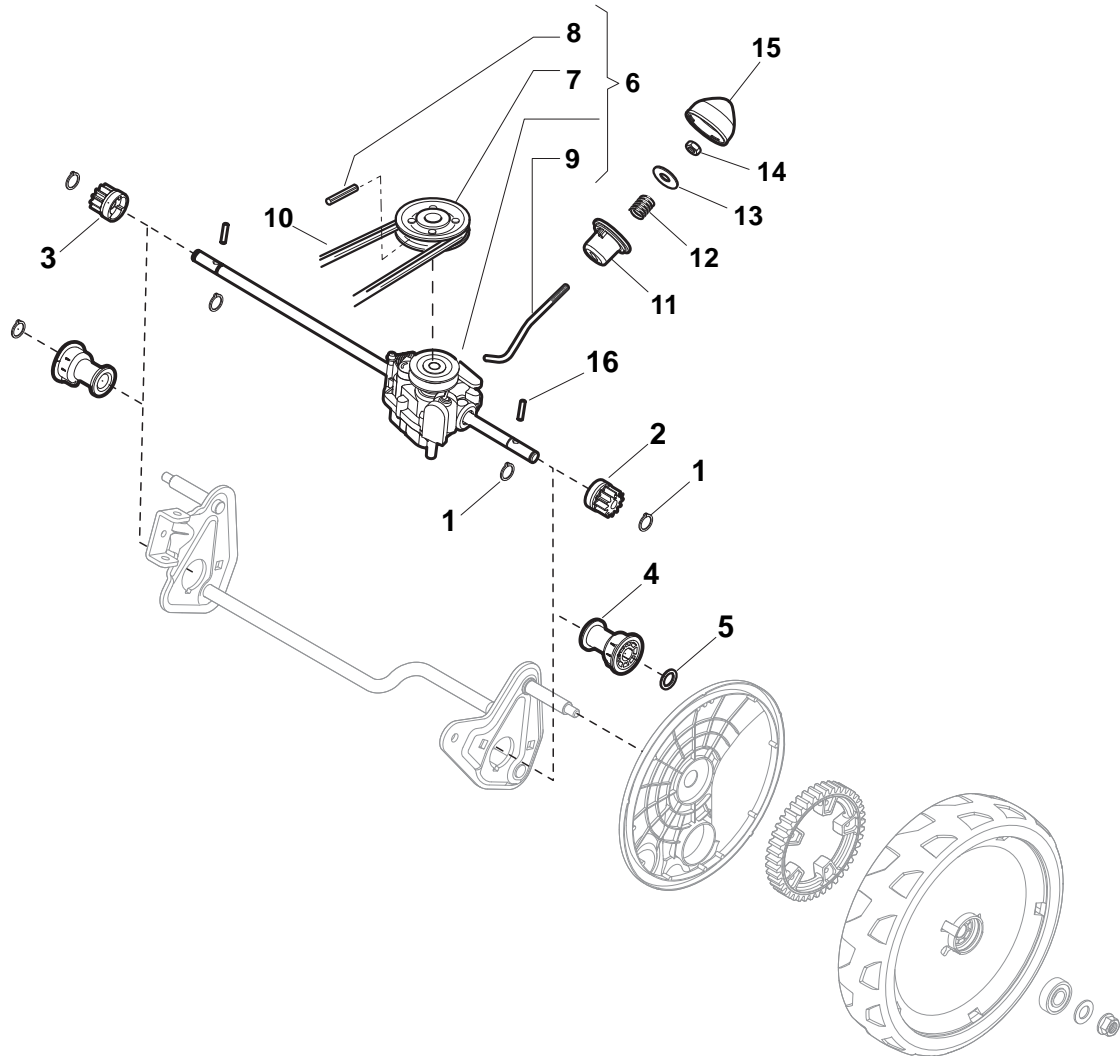


Handle, Lower Part				
POS	CODE	Q.TY	DESCRIPTION	NOTES
1	381007538/0	1	Handle, Lower Part	Yellow
2	112819110/0	2	Screw	
3	122671651/0	2	Washer	
4	122399900/0	2	Knob, Black	Black
5	112293200/0	2	Nut	
7	112818900/0	2	Screw	
9	122399900/0	2	Knob, Black	Black
10	112293200/0	2	Nut	
11	112155000/0	2	Nut	
12	112521350/0	2	Washer	
13	112369500/0	2	Elastic Washer	
14	112760605/0	2	Screw	
15	381008691/0	1	Screws Outfit, Black	Black

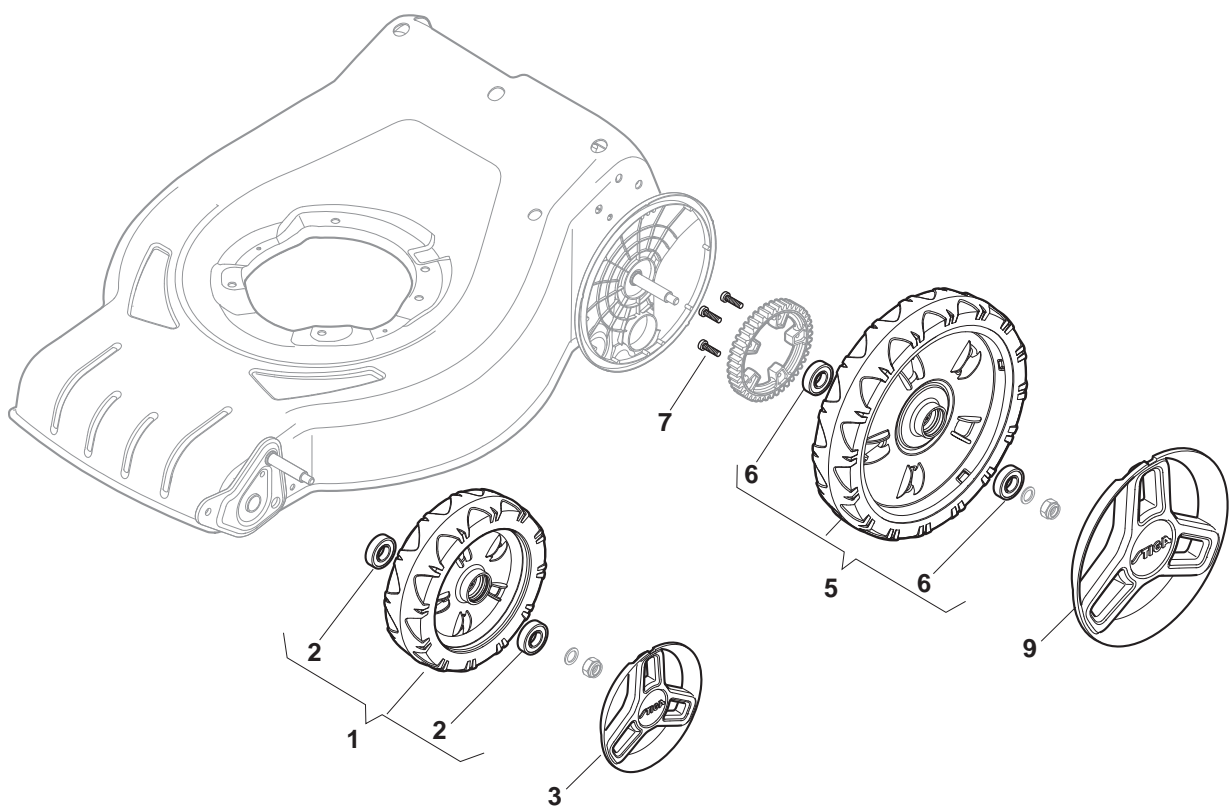




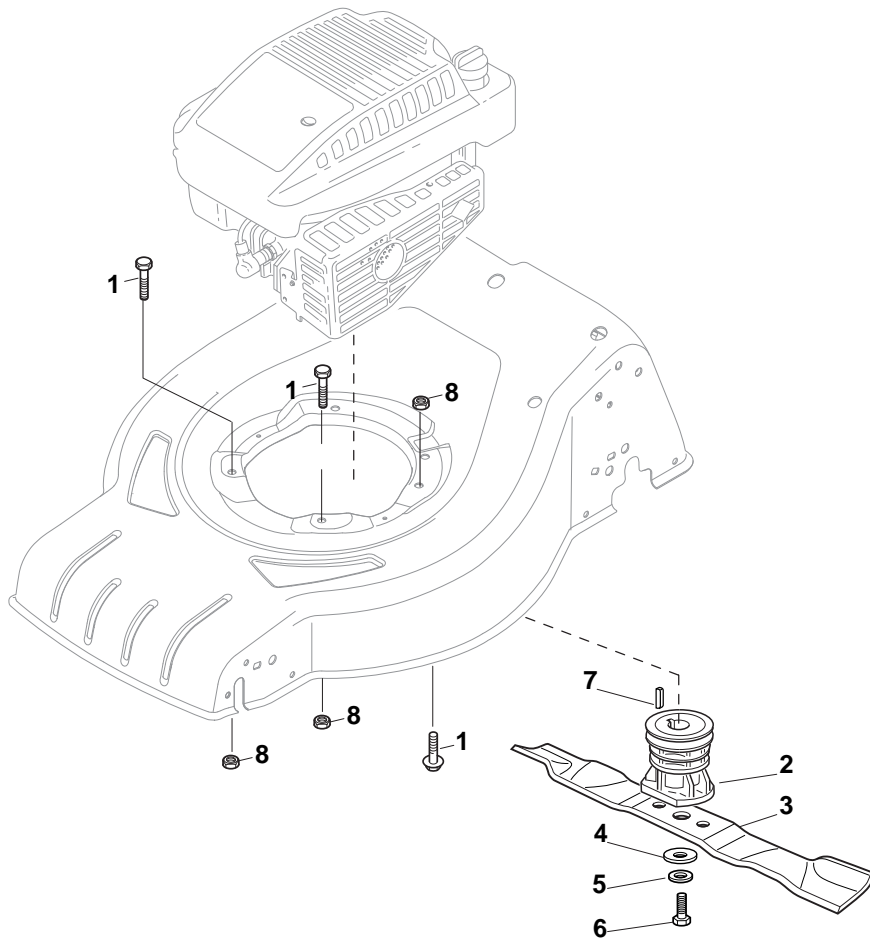
Handle, Upper Part				
POS	CODE	Q.TY	DESCRIPTION	NOTES
1	381006754/0	1	Handle, Upper Part with sponge handgrip Yellow	
2	122430313/0	1	Guide Spring	
3	112521330/0	1	Washer	
4	112154510/0	1	Nut	
5	118390020/0	1	Fairlead	
6	181003363/1	1	Lever, Engine Brake Black	
7	181030087/0	1	Cable, Thread Engine Brake	
8	112727783/0	1	Screw	
9	112154510/0	1	Nut	
10	181003364/0	1	Lever, Driving Black	
11	381030051/0	1	Cable, Rear Drive	
12	322551640/0	1	Plate	



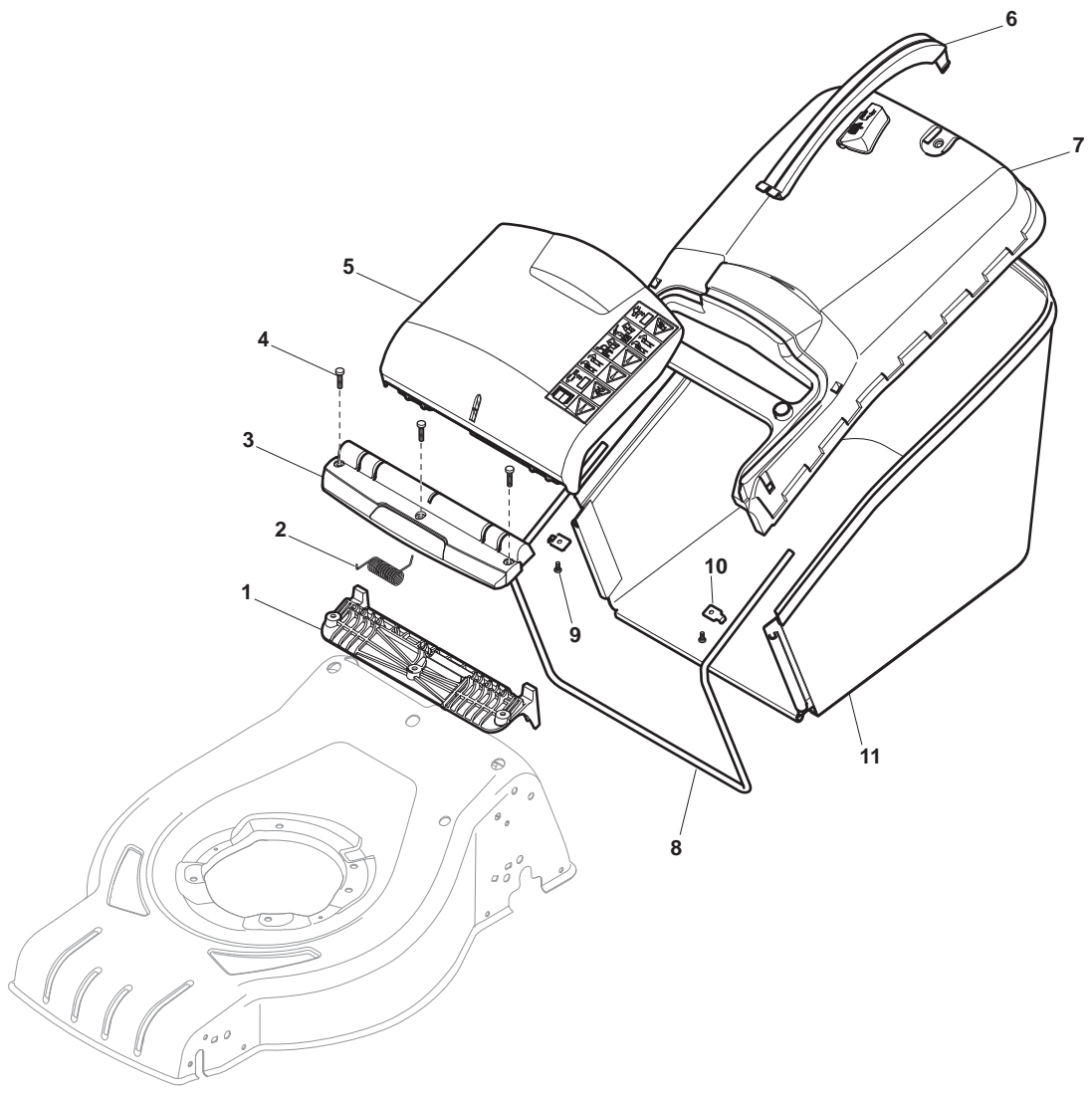
Rear Drive				
POS	CODE	Q.TY	DESCRIPTION	NOTES
1	112608600/0	4	Seeger	
2	122570134/0	1	Pinion L	
3	122570133/0	1	Pinion R	
4	322042067/0	2	Bush	
5	112521371/0	2	Washer	
6	181003092/0	1	Gear Box	
7	122601904/0	1	Pulley	
8	112645705/0	1	Pin	
9	122033283/0	1	Adjustment Rod	
10	135064196/0	1	Belt	
11	122041957/1	1	Bush	
12	122450063/0	1	Spring	
13	322680009/0	1	Washer	
14	112154510/0	1	Nut	
15	122110230/0	1	Cap	
16	122753000/0	2	Pin	



Wheels and Hub Cover				
POS	CODE	Q.TY	DESCRIPTION	NOTES
1	381007416/2	2	Wheel Ø 200	
2	119216035/0	4	Bearing	
3	322110746/0	2	Hub Cap	
5	381007417/2	2	Wheel Ø 280	
6	119216035/0	4	Bearing	
7	112728706/0	6	Screw	
8	322120115/0	2	Ring Gear	
9	322110744/0	2	Hub Cap	



Blade and Hub				
POS	CODE	Q.TY	DESCRIPTION	NOTES
1	112691100/0	2	Screw	
1	112691800/0	1	Screw	
2	122465607/3	1	Hub With Pulley, Crankshaft Ø 22	
3	181004459/0	1	Blade	
4	122160400/0	1	Elastic Washer	
5	112523080/0	1	Washer	
6	112735698/0	1	Screw	
7	112139100/0	1	Feather, Crankshaft Ø 22.2	
8	112154210/0	3	Screw	





Grass-Catcher				
POS	CODE	Q.TY	DESCRIPTION	NOTES
1	322785331/0	1	Support	
2	122450464/0	1	Spring	
3	322109556/0	4	Cover, Yellow	
4	112728699/0	2	Screw	
5	322600214/1	1	Stone-Guard Yellow	
7	381486016/0A	1	Grass-Box, Upper Part Yellow	
8	122608561/0	1	Stiffening Lower	
9	112728692/0	1	Screw	
10	322545159/0	4	Plate	
11	181002318/0	4	Box, Fabric	