



[www.stiga.com](http://www.stiga.com)

# Illustrated Parts List

for model:

**MULTICLIP Pro 53 SB**

- Use GLOBAL GARDEN PRODUCT genuine spare parts specified in the parts list for repair and/or replacement.
- Then contents described in the parts list may change due to improvement.
- The drawings of the spare part are only indicative and might not represent the part in question exactly.
- The indications "right" - "left" - "front" - "rear" refer to the position of the operator when using the machine.
- When placing orders of parts for repair and/or replacement, make sure that the illustrated parts list is the one applying to the machine's year of manufacture, as shown on the identification plate attached to the machine.

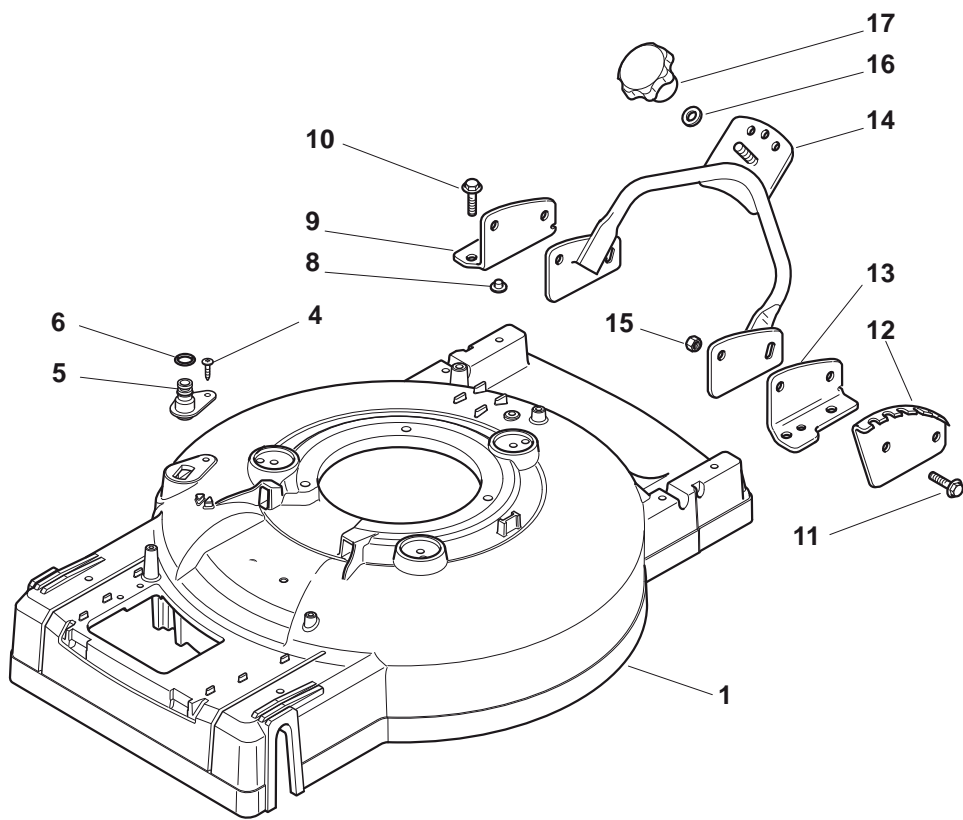
© Copyright 2014 Global Garden Products

All content is subject to copyright by Global Garden Products and may not be reproduced in whole or in part by any means, electronic or otherwise, without prior written approval.

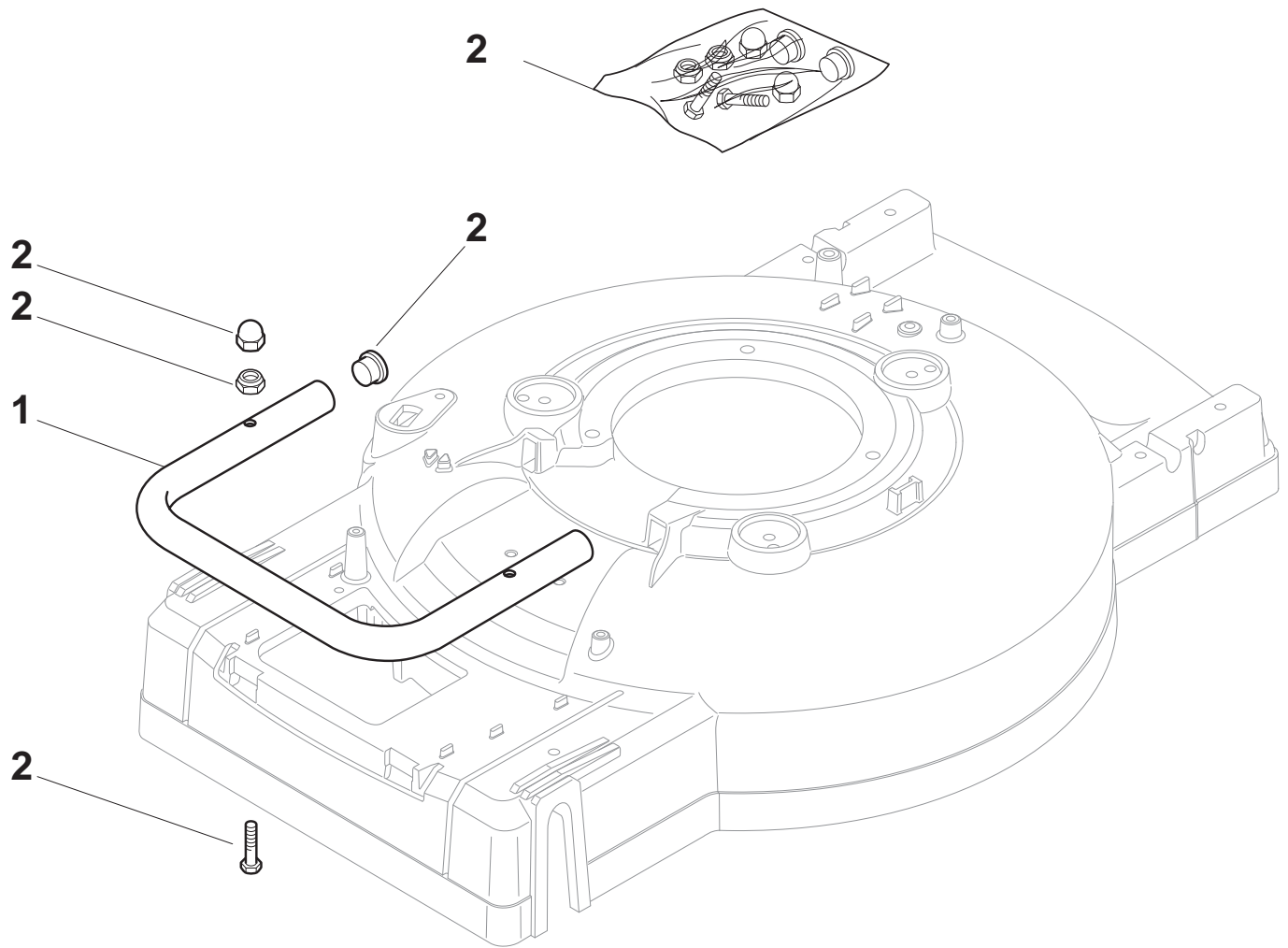
THIS INFORMATION IS NOT INTENDED FOR SALE OR RESALE, AND THIS NOTICE MUST REMAIN ON ALL COPIES.

[www.ggp-group.com](http://www.ggp-group.com)

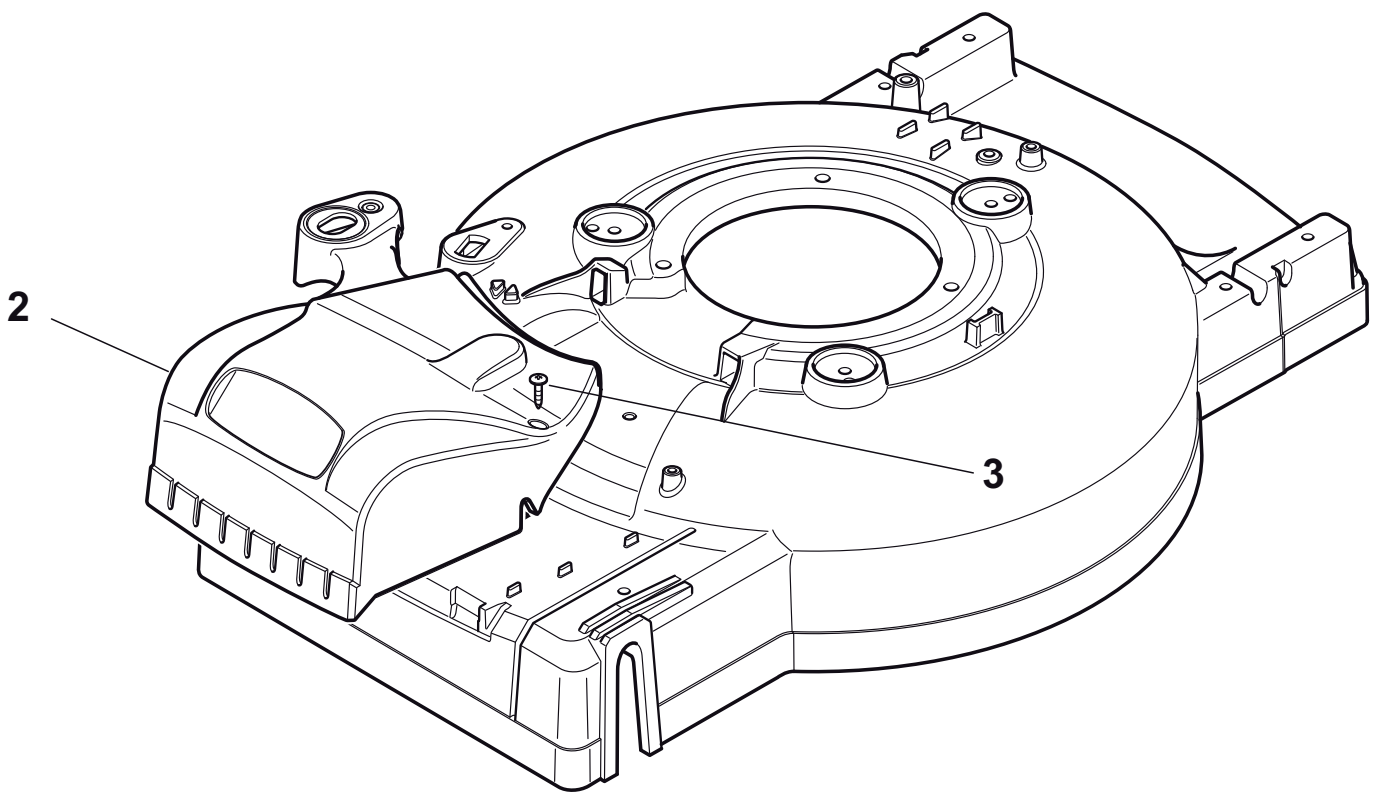




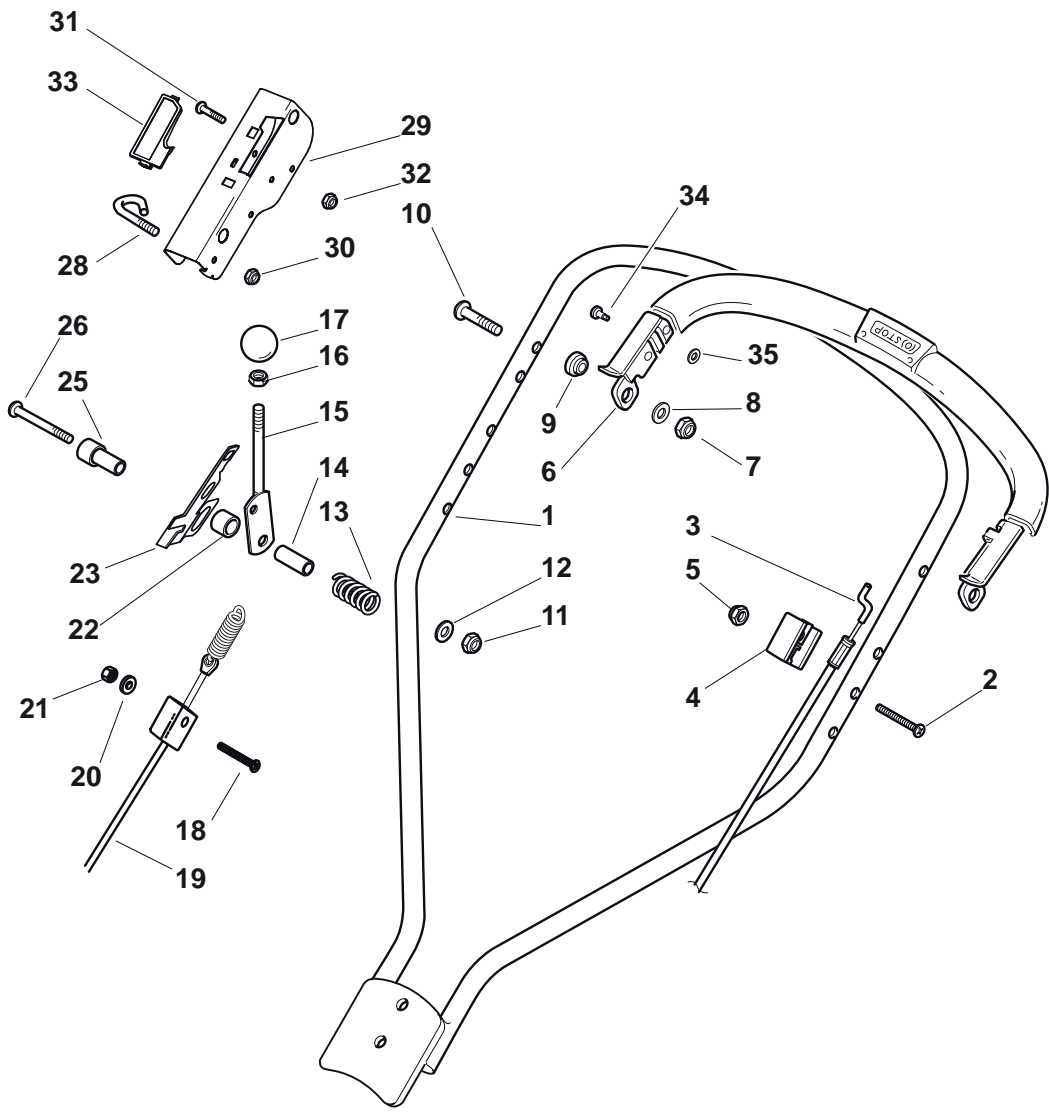
Deck/Handle, Lower Part				
POS	CODE	Q.TY	DESCRIPTION	NOTES
1	381004736/0	1	Deck Grey	
4	112727802/0	1	Screw	
5	122034000/0	1	Washing Connection	
6	119035000/0	1	Or Ring	
8	322820054/0	2	Cap	
9	322778417/0	1	Bracket, R	
10	112735595/0	4	Screw	
11	112800815/0	4	Screw	
12	322735569/0	1	Sector, Height Adjustment	
13	322778415/0	1	Bracket, L	
14	381006361/1	1	Handle, Middle Part Yellow	
14	381006365/1	1	Handle, Middle Part Black	
15	112293200/0	4	Nut	
16	112523080/0	1	Washer	
17	322399813/0	1	Knob	



Mask				
POS	CODE	Q.TY	DESCRIPTION	NOTES
1	322869713/0	1	Protection	
2	381008657/0	1	Bumper Outfit Assy	

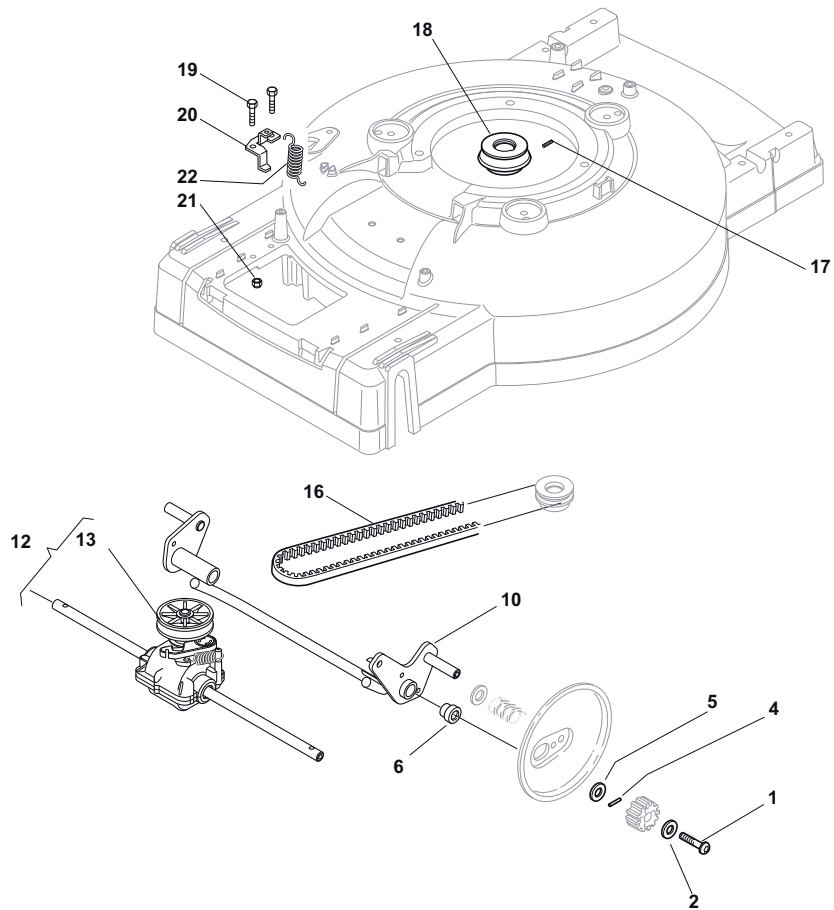


Protection, Belt				
POS	CODE	Q.TY	DESCRIPTION	NOTES
2	322226198/0	1	Protection, Belt Grey	
3	112728440/0	2	Screw	

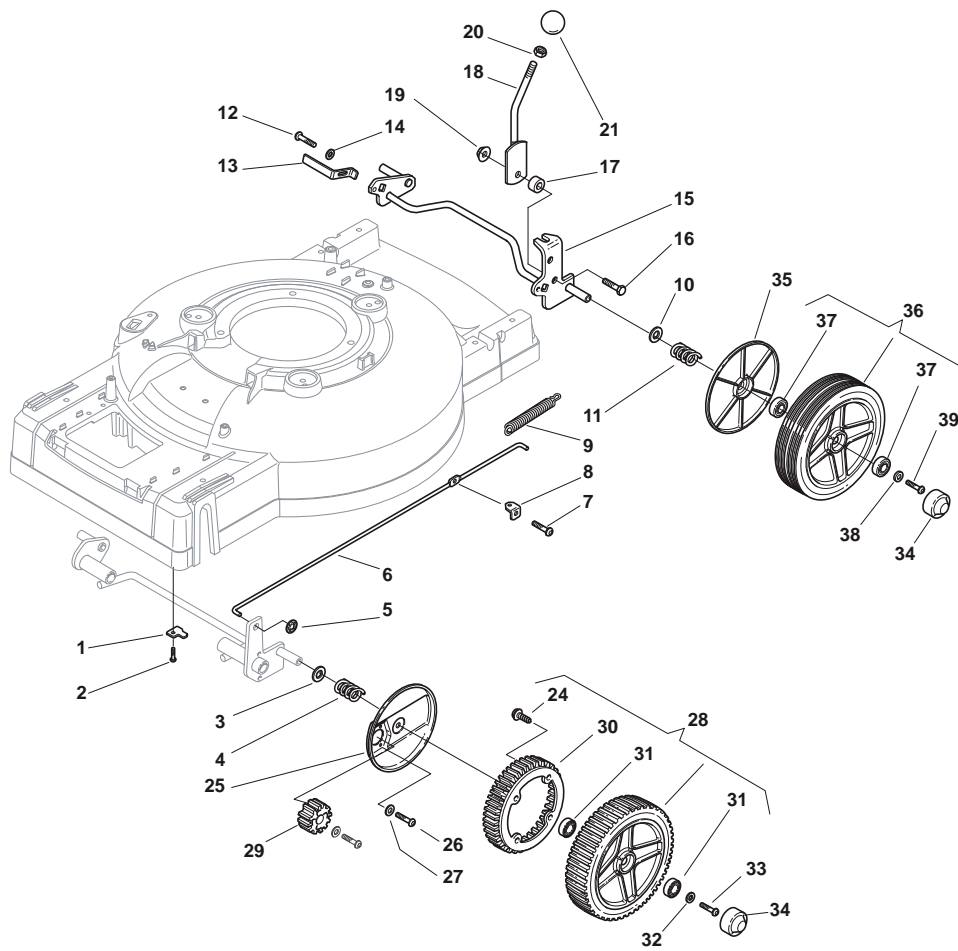




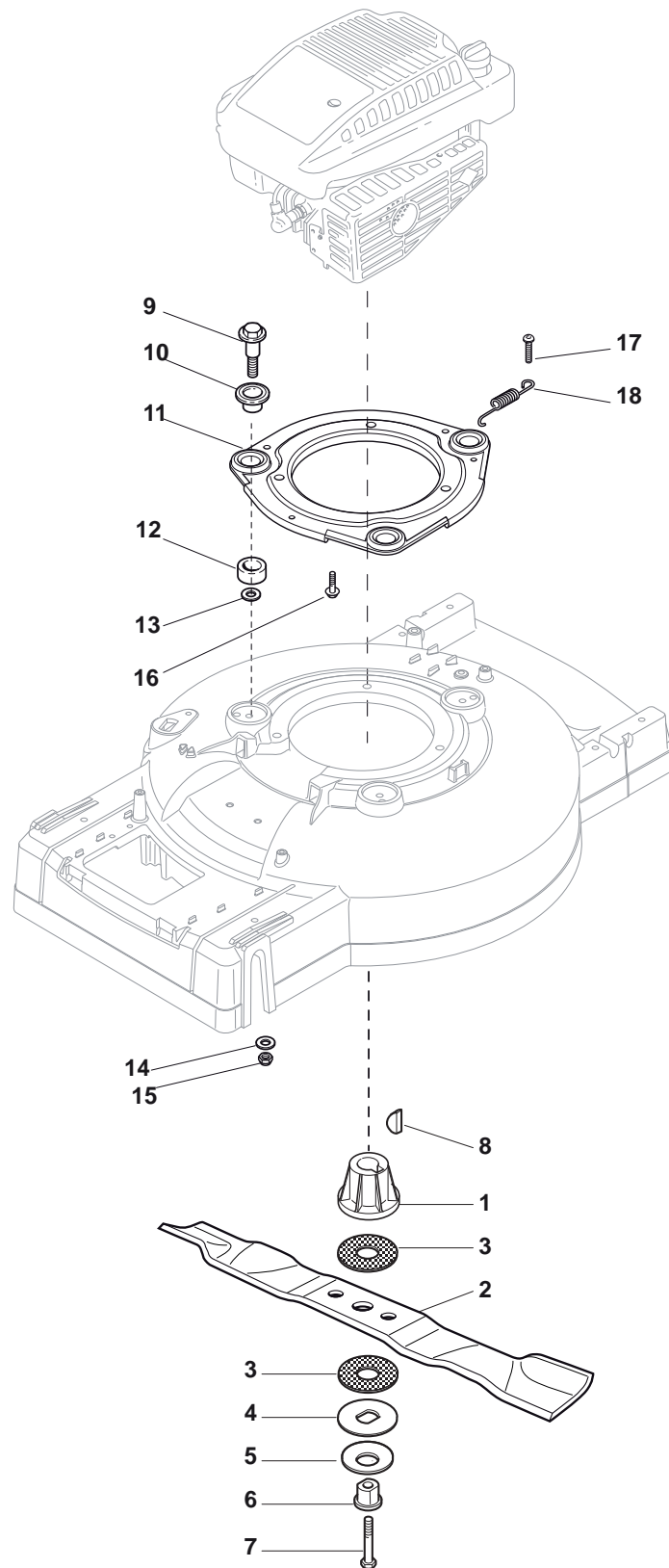
Handle, Upper Part				
POS	CODE	Q.TY	DESCRIPTION	NOTES
1	381006363/3	1	Handle, Upper Part Yellow	Yellow
1	381006367/2	1	Handle, Upper Part Black	Black
2	112727784/0	1	Screw	
3	181000769/1	1	Cable, Thread Engine Brake	
4	322551639/0	1	Plate	
5	112154510/0	1	Nut	
6	381003318/1	1	Lever, Engine Brake	
7	112154510/0	2	Nut	
8	112521330/0	2	Washer	
9	122671660/1	2	Washer	
10	112727784/0	2	Screw	
11	112154510/0	1	Nut	
12	112521330/0	1	Elastic Washer	
13	122450446/0	1	Spring	
14	122170840/0	1	Spacer	
15	381003313/0	1	Lever, Driving	
16	112293200/0	1	Nut	
17	322399812/0	1	Knob	
18	112727791/0	1	Screw	
19	381000745/1	1	Cable, Rear Drive	
20	112521330/0	1	Washer	
21	112154510/0	1	Nut	
22	122170842/0	1	Spacer	
23	322551653/0	1	Plate	
25	122170843/0	1	Spacer	
26	112727786/0	1	Screw	
28	122430314/0	1	Guide Spring	
29	381004405/0	1	Dash Board	
30	112154510/0	1	Nut	
31	112727792/0	1	Screw	
32	112154510/0	1	Nut	
33	322500050/0	1	Shoe	
34	122524342/0	1	Pin	
35	112604897/0	1	Snap Ring	



Rear Drive				
POS	CODE	Q.TY	DESCRIPTION	NOTES
1	112735662/1	2	Screw	
2	112521460/0	2	Washer	
4	122753002/0	2	Pin	
5	122671661/0	2	Washer	
6	122038406/0	2	Spacer	
10	381002833/2	1	Axle, Front Wheels	
12	181003110/0	1	Gear Box	
13	122601919/0	1	Pulley	
16	135064010/0	1	Belt	
17	112714312/0	1	Dowel	
18	122601917/0	1	Pulley, Crankshaft Ø 22.2	
19	112791011/0	2	Screw	
20	322551659/1	1	Plate	
21	112154510/0	2	Nut	
22	122450437/0	1	Spring	



Wheel and Hub Cap				
POS	CODE	Q.TY	DESCRIPTION	NOTES
1	322545157/1	2	Plate	
2	112735662/1	4	Screw	
3	122671659/0	2	Washer	
4	122430215/0	2	Spring	
5	112604899/0	2	Crown Fastener	
6	122033331/0	1	Rod, Height Adjustment Control	
7	112735651/0	1	Screw	
8	322545139/0	1	Plate	
9	122446183/0	1	Spring	
10	122671659/0	2	Washer	
11	122430215/0	2	Spring	
12	112735661/0	2	Screw	
13	322551529/0	2	Plate	
14	112521330/0	2	Washer	
15	381002835/0	1	Axle, Rear Wheels	
16	112793701/0	1	Screw	
17	122170830/0	1	Spacer	
18	381003317/0	1	Lever, Height Adjustment	
19	112293201/0	1	Nut	
20	112293200/0	1	Nut	
21	322399812/0	1	Knob	
24	112728210/0	4	Screw	
25	322600129/0	2	Protection, Wheel	
26	112735661/0	4	Screw	
27	112521330/0	4	Washer	
28	381007367/0	2	Wheel Ø 205	
29	122570128/0	2	Pinion	
30	322120108/0	2	Ring Gear	
31	119216038/0	4	Bearing	
32	112521460/0	2	Washer	
33	112735662/1	2	Screw	
34	322110380/0	4	Hub Cap	
35	322600130/0	2	Protection, Wheel	
36	381007365/0	2	Wheel Ø 205	
37	119216038/0	4	Bearing	
38	112521460/0	2	Washer	
39	112735662/1	2	Screw	



Blade				
POS	CODE	Q.TY	DESCRIPTION	NOTES
1	122465621/0	1	Hub, Crankshaft Ø 22.2	
2	181004139/0	1	Blade Winged	
3	322672110/1	2	Clutch Washer	
4	322672105/0	1	Washer	
5	112508120/0	1	Cupped Spring	
6	122041940/0	1	Clutch Bush	
7	112736815/0	1	Screw	
8	112139100/0	1	Feather, Crankshaft Ø 22.2	
9	122524329/0	3	Pin	
10	322672201/0	3	Washer	
11	381207225/1	1	Flange, Yellow	Yellow
12	322250012/0	3	Grommet	
13	122671651/0	3	Washer	
14	112521350/0	3	Washer	
15	112155000/0	3	Nut	
16	112735108/1	3	Screw	
17	112729601/1	1	Screw	
18	122450444/0	1	Spring	