



www.stiga.com

Illustrated Parts List

for model:

TURBO POWER 50 SB

- Use GLOBAL GARDEN PRODUCT genuine spare parts specified in the parts list for repair and/or replacement.
- Then contents described in the parts list may change due to improvement.
- The drawings of the spare part are only indicative and might not represent the part in question exactly.
- The indications "right" - "left" - "front" - "rear" refer to the position of the operator when using the machine.
- When placing orders of parts for repair and/or replacement, make sure that the illustrated parts list is the one applying to the machine's year of manufacture, as shown on the identification plate attached to the machine.

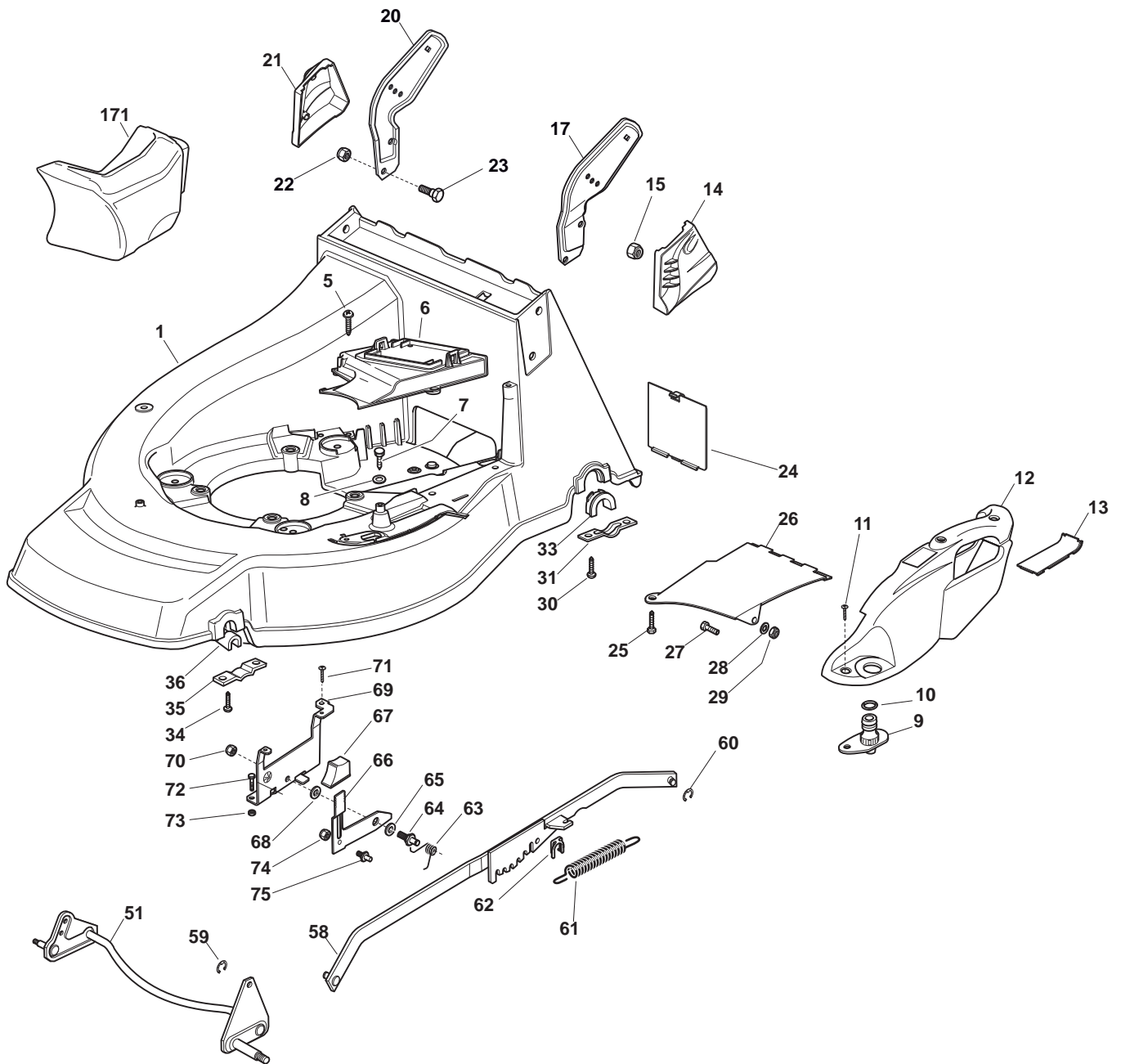
© Copyright 2014 Global Garden Products

All content is subject to copyright by Global Garden Products and may not be reproduced in whole or in part by any means, electronic or otherwise, without prior written approval.

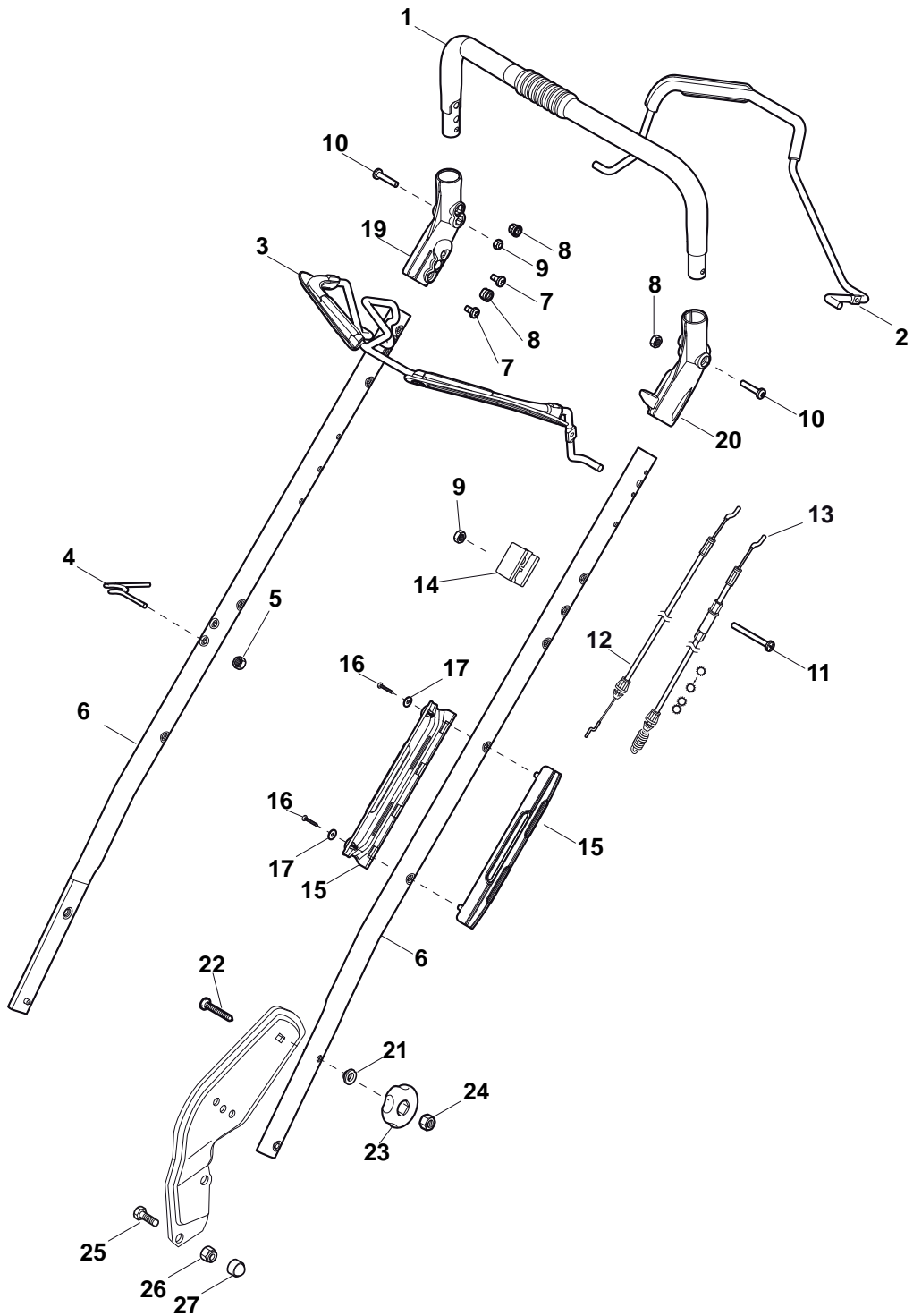
THIS INFORMATION IS NOT INTENDED FOR SALE OR RESALE, AND THIS NOTICE MUST REMAIN ON ALL COPIES.

www.ggp-group.com

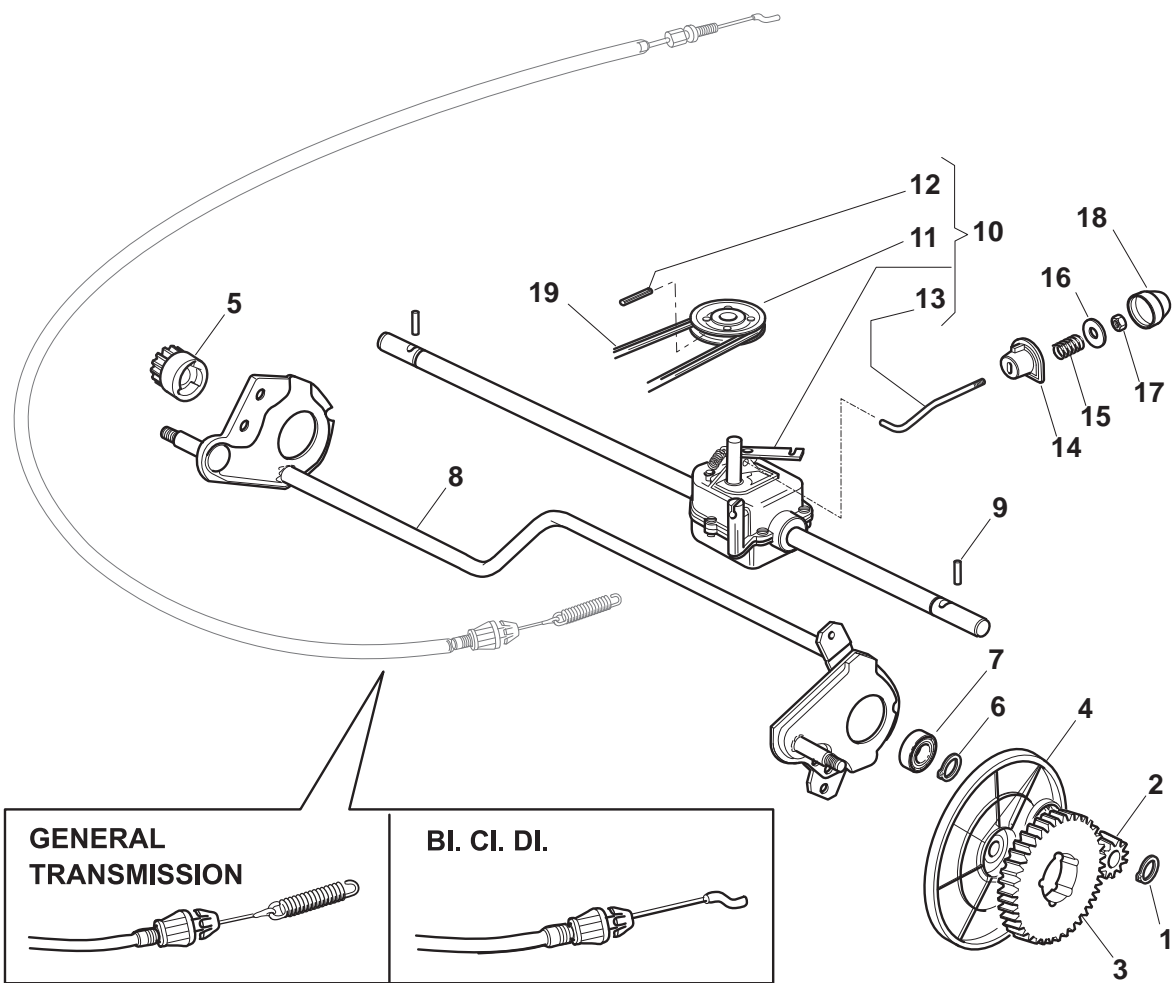




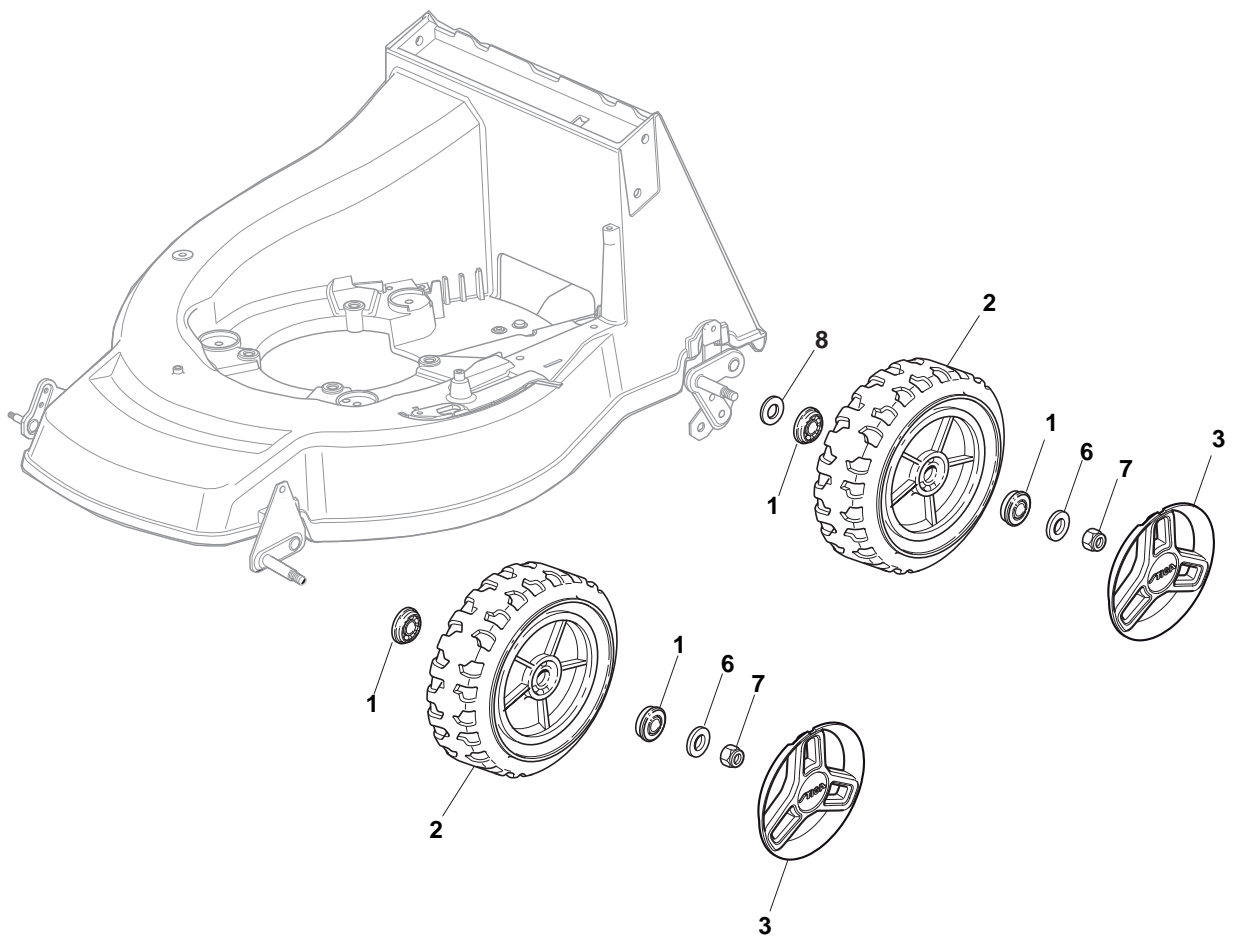
Deck				
POS	CODE	Q.TY	DESCRIPTION	NOTES
1	381004743/0	1	Deck Grey	
5	112728522/0	2	Screw	
6	322060221/0	1	Mask, Black	
7	112731350/0	1	Screw	
8	112523040/0	2	Protection, Belt	
9	122034000/0	1	Screw	
10	119035000/0	1	Washer	
11	112728520/0	3	Washing Connection	
12	122060146/0	1	Or Ring	
13	122546070/0	1	Screw	
14	322601003/0	1	Deck, Adjustment	
15	112155000/0	2	Plate	
17	322778397/1	1	Protection	
20	322778396/1	1	Nut	
21	322601002/1	1	Bracket, L	
22	112155000/0	2	Bracket, R	
23	112793301/0	2	Protection	
24	122595352/0	1	Nut	
25	112731350/0	1	Screw	
26	322108205/0	1	Inspection Door	
27	112789000/0	1	Screw	
28	112523020/0	1	Conveyor	
29	112154330/0	1	Screw	
30	112731350/0	4	Washer	
31	322545147/0	2	Nut	
33	322038407/0	2	Screw	
34	112731350/0	4	Plate	
35	322545156/0	2	Brass	
36	122038400/1	2	Screw	
51	381302865/0	1	Plate	
58	381002039/1	1	Brass	
59	112000930/0	1	Axle, Front Wheels	
60	112000930/0	1	Rod, Height Adjustment	
61	122446187/0	1	Snap Ring	
62	112436051/0	1	Snap Ring	
63	122446176/1	1	Spring	
64	122517880/1	1	Plate	
65	322672152/0	1	Spring	
66	322322829/1	1	Pin	
67	122602000/0	1	Washer	
68	322672151/0	1	Lever, Height Adjustment	
69	322785115/0	1	Pushbutton, Lever	
70	112155000/0	1	Washer	
71	112729600/0	1	Support, Height Adjustment	
72	112793101/0	2	Nut	
73	112293201/0	2	Screw	
74	112154510/0	1	Screw	
75	122519746/0	1	Nut	
171	322140224/1	1	Nut	



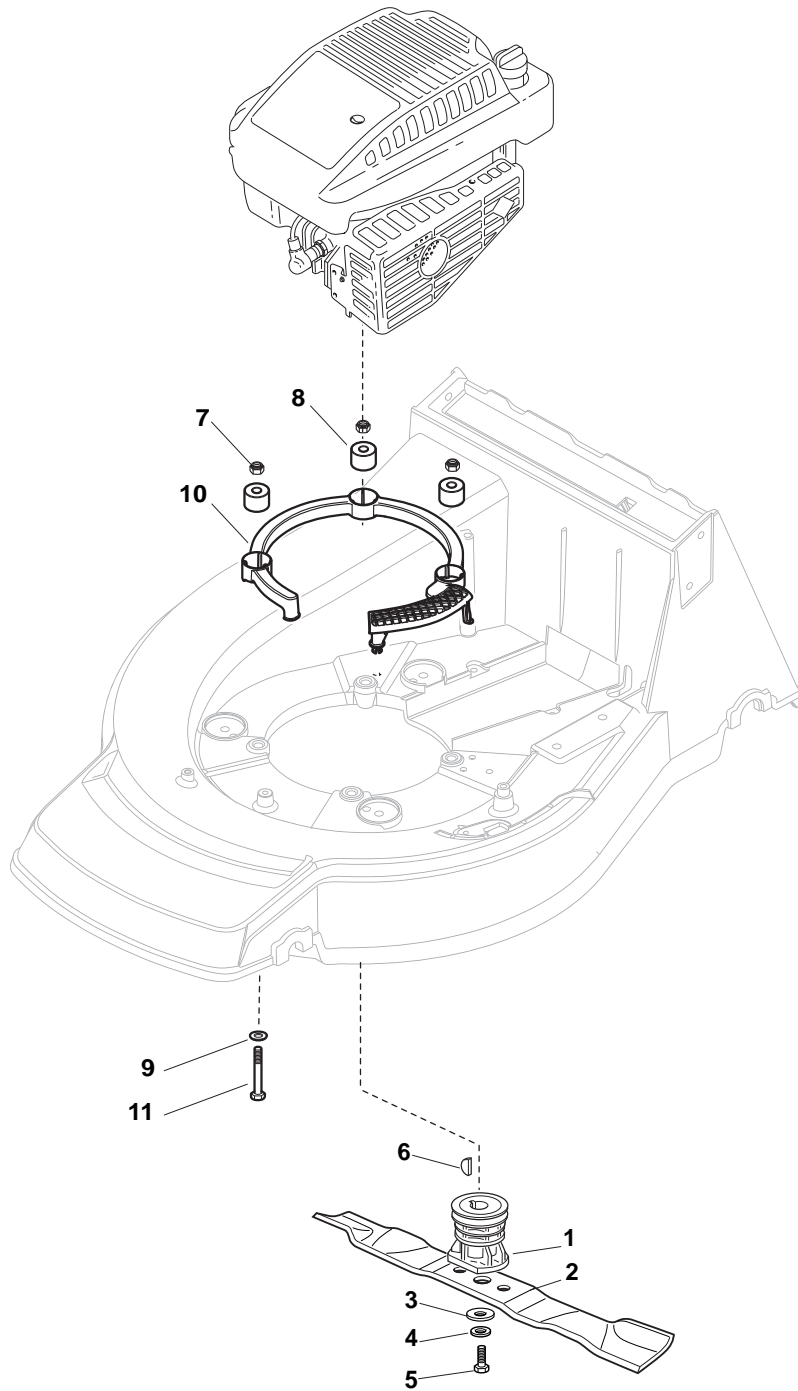
Handle, Upper Part				
POS	CODE	Q.TY	DESCRIPTION	NOTES
1	381006670/2	1	Handgrip	
2	381003349/0	1	Lever, Driving	
3	381003344/0	1	Lever, Engine Brake	
4	122430309/0	1	Spring	
5	112154330/0	1	Nut	
6	381007047/0	2	Handle Grey, R	
7	112735662/1	4	Screw	
8	322041967/1	4	Bush	
9	112154510/0	3	Nut	
10	112728721/0	2	Screw	
11	112727786/0	1	Screw	
12	181030101/0	1	Cable, Thread Engine Brake	
13	381030098/0	1	Cable, Rear Drive	
14	322551639/0	1	Plate	
15	322806644/0	2	Protection	
16	112727812/0	2	Screw	
17	112523000/1	2	Washer	
19	322488301/0	1	Support , R	
20	322488303/0	1	Support, L	
21	122671651/0	2	Washer	
22	112819105/0	2	Screw	
23	322399804/1	2	Knob	
24	112293200/0	2	Nut	
25	112793301/0	2	Screw	
26	112155000/0	2	Nut	
27	118203854/0	2	Protection	



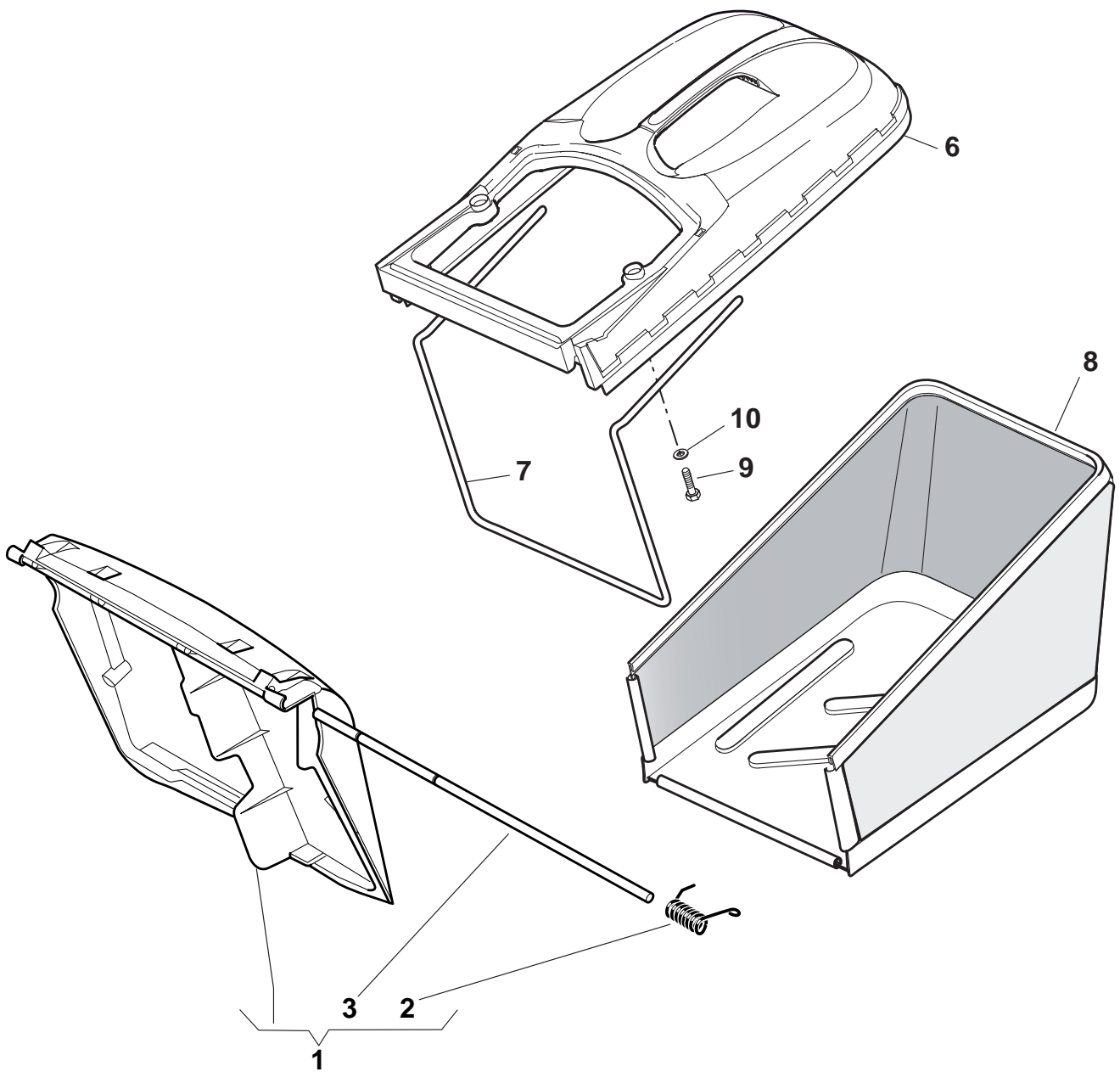
Rear Drive				
POS	CODE	Q.TY	DESCRIPTION	NOTES
1	112608600/0	2	Seeger	
2	122570120/1	1	Pinion L	
3	122120105/1	2	Ring Gear	
4	322600268/0	2	Protection, Wheel	
5	122570110/1	1	Pinion R	
6	112608600/0	2	Seeger	
7	119216035/0	2	Bearing	
8	381302867/0	1	Axle, Rear Wheels	
9	122753000/0	2	Pin	
10	181003079/1	1	Gear Box	
10	181003082/1	1	Gear Box (Grey)	
11	122601909/0	1	Pulley	
12	112645705/0	1	Pin	
13	122033281/0	1	Adjustment Rod	
14	122041957/1	1	Bush	
15	122450063/0	1	Spring	
16	322680009/0	1	Washer	
17	112154510/0	1	Nut	
18	122110230/0	1	Cap	
19	135064150/0	1	Belt	
19	135064195/0	1	Belt	



Wheels and Hub Cover				
POS	CODE	Q.TY	DESCRIPTION	NOTES
1	119216035/0	8	Bearing	
2	381007490/0	4	Wheel Ø 210	
3	322110755/0	4	Hub Cap Grey	
6	112521350/0	8	Washer	
7	112155000/0	8	Nut	
8	112521350/0	2	Washer	



Blade and Hub				
POS	CODE	Q.TY	DESCRIPTION	NOTES
1	122465638/1	1	Hub With Pulley, Crankshaft Ø 22.2	
2	181004366/2	1	Blade Standard	
3	122160400/0	1	Washer	
4	112523080/0	1	Washer	
5	112736815/0	1	Screw	
6	112139100/0	1	Feather, Crankshaft Ø 22.2	
7	112154210/0	3	Nut	
8	122170835/0	3	Spacer	
9	112521350/0	3	Washer	
10	322170964/0	1	Protection	
11	112692050/0	3	Screw	



Grass-Catcher				
POS	CODE	Q.TY	DESCRIPTION	NOTES
1	381008050/0	1	Stone-Guard Black	
2	122451000/0	1	Spring	
3	122517856/1	1	Pin	
6	322486102/0	1	Grass-Box, Upper	
7	122608526/0	1	Stiffening Lower	
8	181002212/0	1	Box, Fabric	
9	112728680/0	2	Screw	
10	112523050/0	2	Washer	