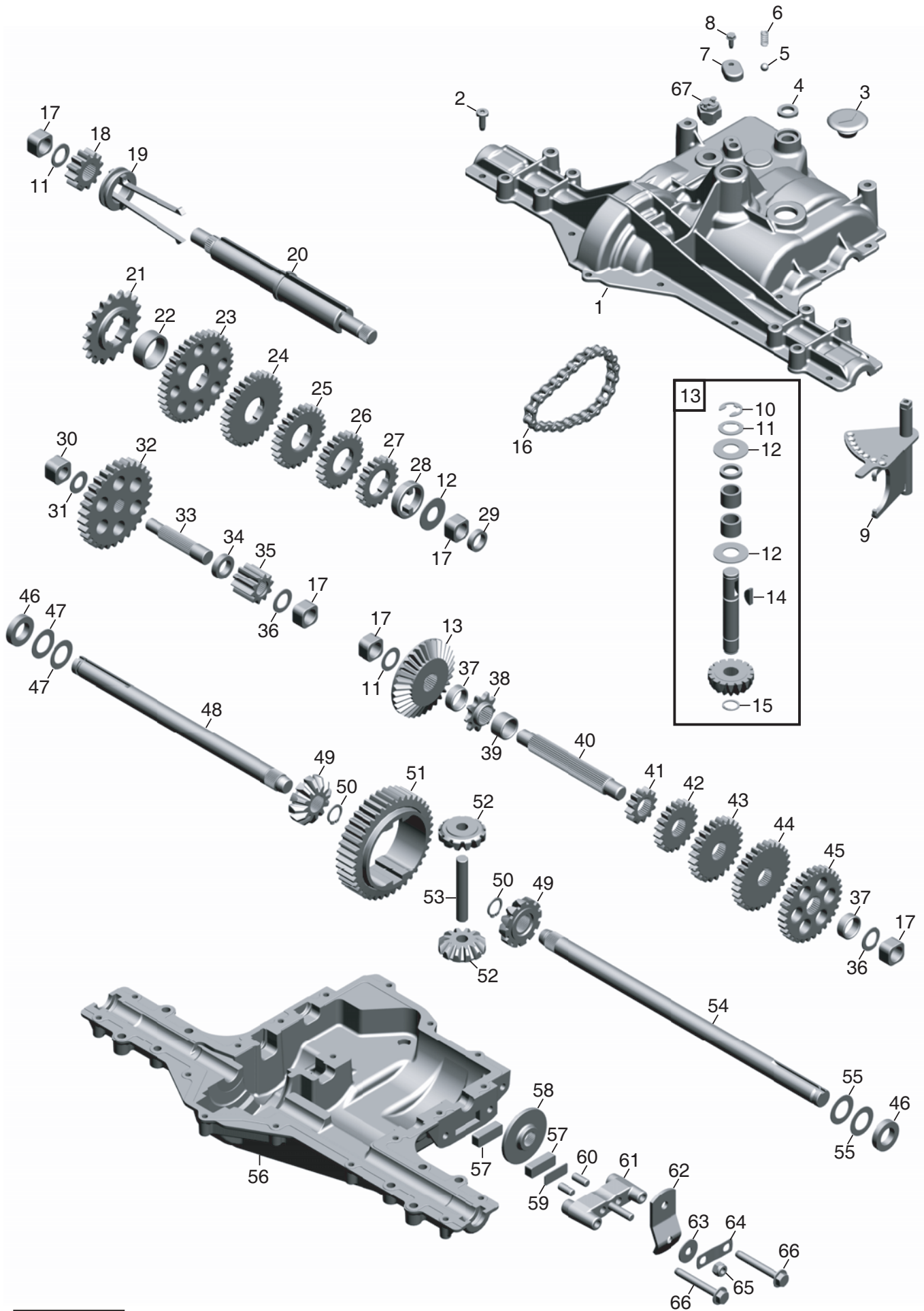
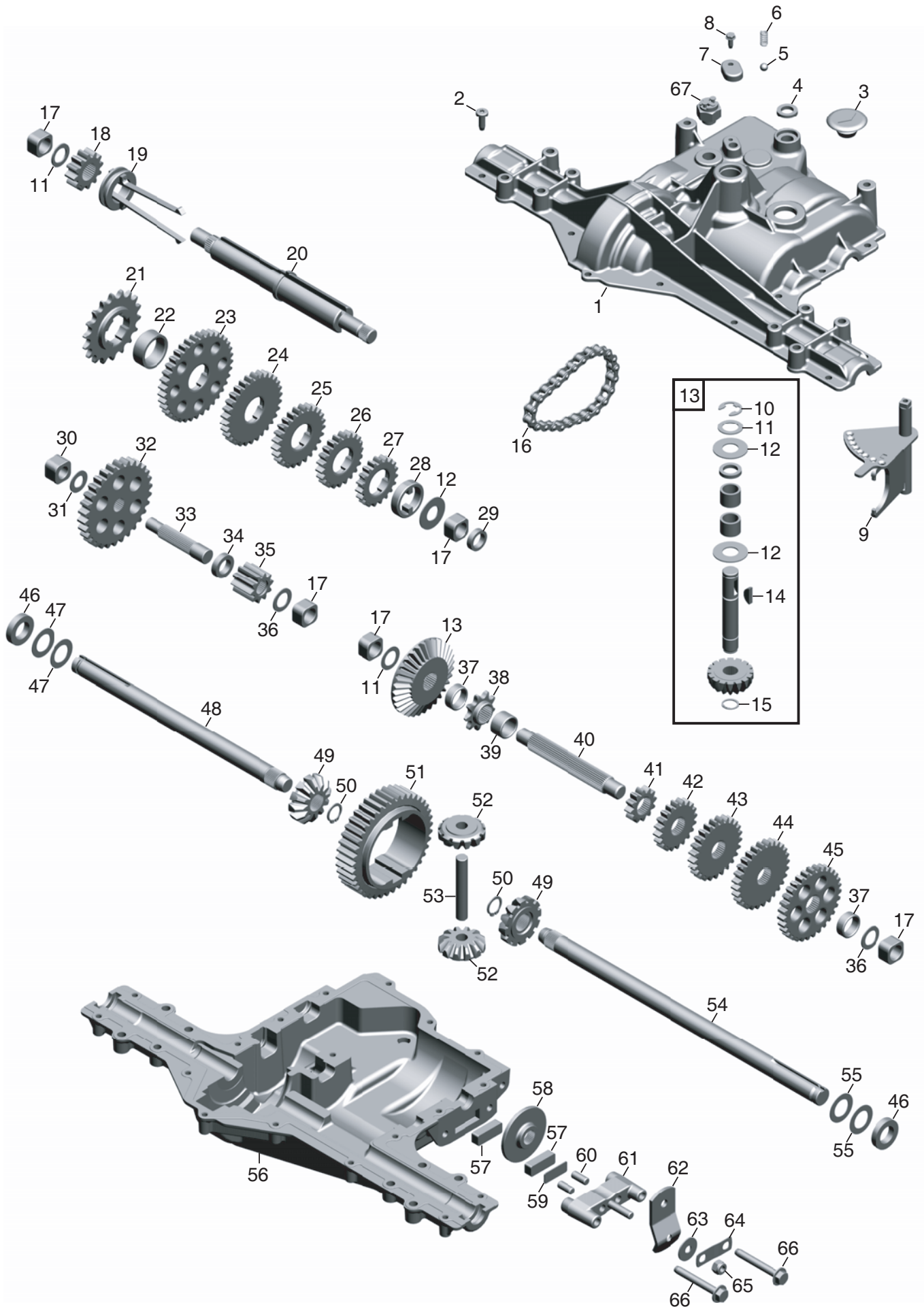


Genuine Spare Parts

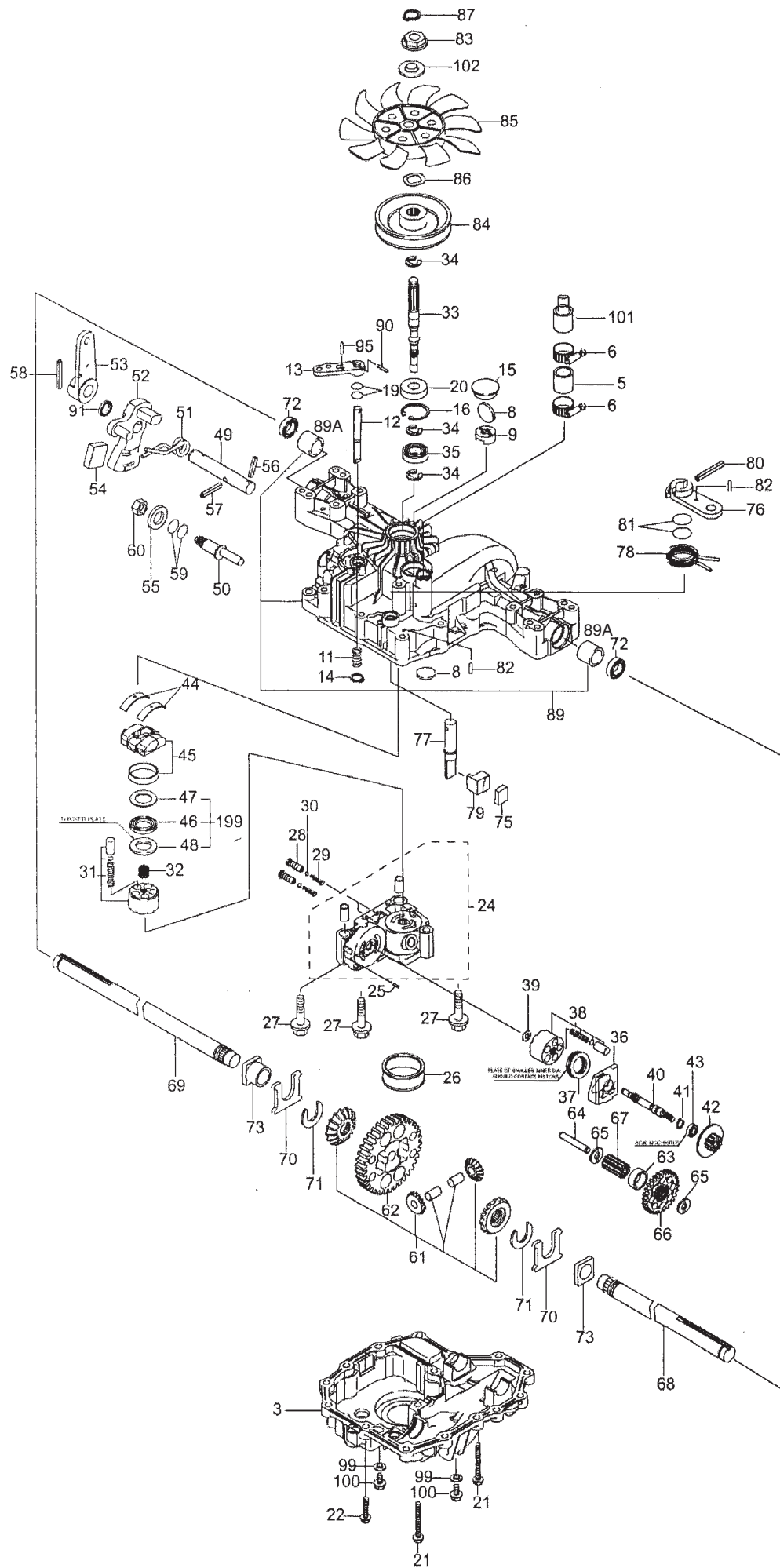




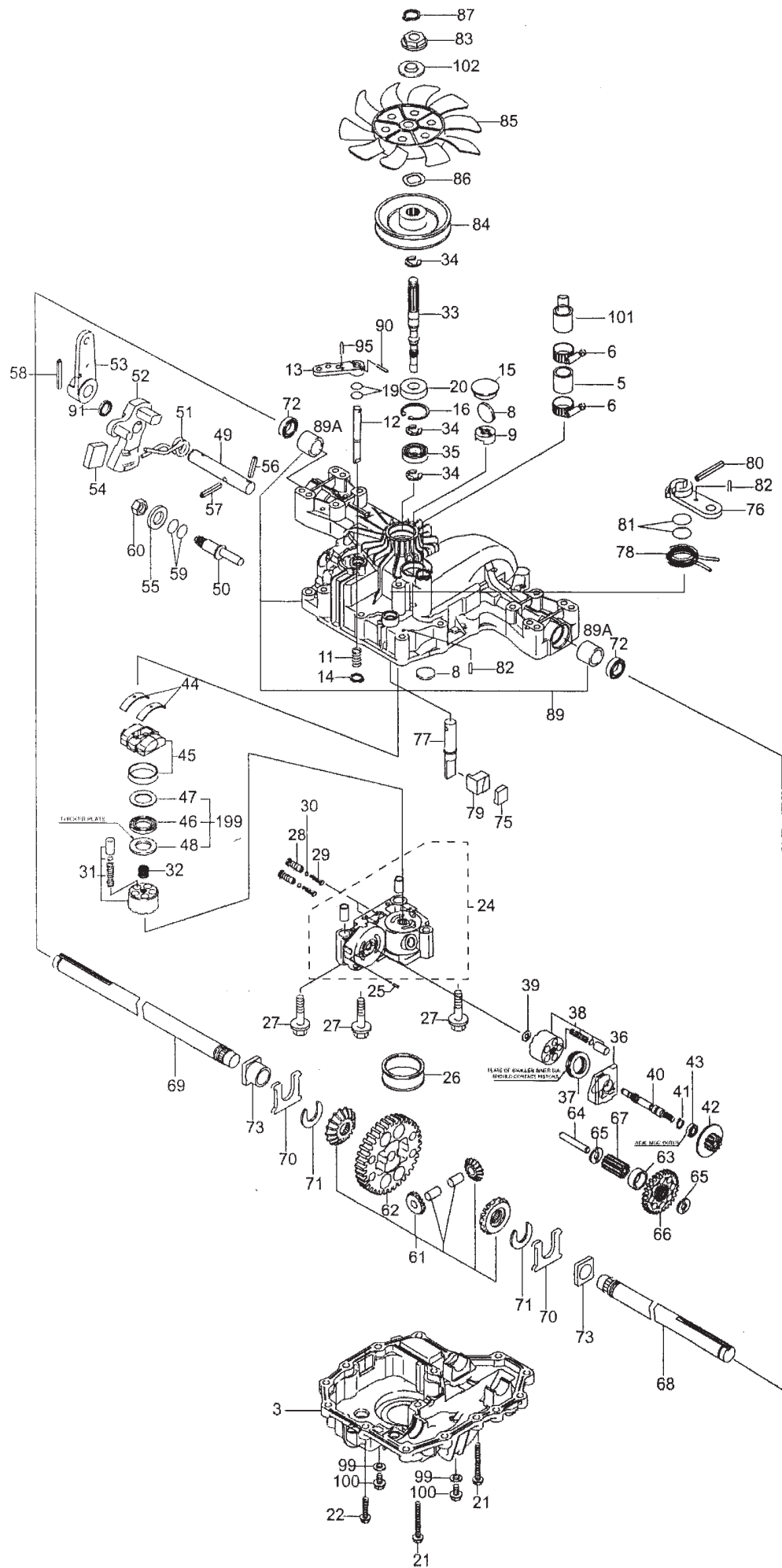
Utgåva Issue		Bildnr Picture No		DANA TRANSAXEL		DANA TRANSAXLE		Sida Page	
2007- 11		2215		6800- 7 6800- 8		6800- 7 6800- 8		354	
Pos. Fig.	Antal/Quantity			Art nr Part No	Benämning	Description	Sats Kit	Anmärkning Notes	
	6800 -7	6800 -8							
X	0	1		1134- 6338- 01	Transaxel kpl.....	Transaxle assy.....		DANA 6800- 7	
X	0		1	1134- 6349- 01	Transaxel kpl.....	Transaxle assy.....		DANA 6800- 8	
X	1	1		F000- 6768- 00	Hus- övre kpl	Housing- upper assy		Inkl. pos 4, 7- 8	
X	1		1	F000- 6769- 00	Hus- övre kpl	Housing- upper assy		Inkl. pos 4, 7- 8	
X	2	18	18	F000- 1919- 00	Skruv	Screw			
X	3	1	1	F004- 1356- 00	Gummiplugg.....	Rubber plug			
X	4	1	1	F000- 7089- 00	• Tätningsring	• Oil seal			
X	5	1	1	F000- 5947- 00	Kula	Ball			
X	6	1	1	F000- 5948- 00	Fjäder.....	Spring			
X	7	1	1	F000- 7101- 00	• Lock.....	• Detent cover			
X	8	1	1	F084- 0052- 00	• Skruv	• Screw			
X	9	1	1	F000- 6670- 00	Växelförare	Shifter			
X	10	1	1	F000- 1106- 00	• Låsring	• Retaining ring.....			
X	11	3	3	F000- 4689- 00	• Sats- shims.....	• Kit- shim.....			
X	12	3	3	F000- 3876- 00	• Bricka	• Washer			
X	13	1	1	F000- 6753- 00	Ingående axel kpl.....	Input shaft assy		Pos 10- 12, 14- 15	
X	14	1	1	F000- 1746- 00	• Kil	• Key			
X	15	1	1	F000- 3956- 00	• Låsring	• Retaining ring.....			
X	16	1	1	F000- 3625- 00	Kedja	Chain.....			
X	17	5	5	F000- 7091- 00	Bussning	Bushing.....			
X	18	1	1	F000- 7080- 00	Drev	Spur gear	12T		
X	19	1	1	F000- 6692- 00	Växelkrage.....	Shift collar.....			
X	20	1	1	F000- 7086- 00	Axel	Intermediate shaft			
X	21	1	1	F000- 3830- 00	Kedjehjul.....	Sprocket.....	18T		
X	22	1	1	F000- 7094- 00	Distans	Spacer.....			
X	23	1	1	F000- 5365- 00	Drev	Gear, spur	37T		
X	24	1	1	F000- 3867- 00	Drev	Gear, spur	30T		
X	25	1	1	F000- 3783- 00	Drev.....	Gear, spur	25T		
X	26	1	1	F000- 3869- 00	Drev.....	Gear, spur	22T		
X	27	1	1	F000- 5202- 00	Drev.....	Gear, spur	19T		
X	28	1	1	F000- 5027- 00	Distans	Spacer.....			
X	29	1	1	F000- 7115- 00	Tätningring	Oil seal			
X	30	1	1	F000- 7092- 00	Bussning	Bushing.....			
X	31	1	1	F000- 3890- 00	Bricka	Plain washer			
X	32	1	1	F000- 7079- 00	Drev	Spur gear	30T		
X	33	1	1	F000- 7083- 00	Axel	Idler shaft.....			
X	34	1	1	F000- 3410- 00	Distans	Spacer.....			
X	35	1	1	F000- 5180- 00	Drev	Spur gear	10T		
X	36	2	2	F000- 1425- 00	Bricka	Washer.....			
X	37	2	2	F000- 3714- 00	Distans	Spacer.....			
X	38	1	1	F000- 3645- 00	Kedjehjul.....	Sprocket.....	9T		
X	39	1	1	F000- 7162- 00	Distans	Spacer.....			
X	40	1	1	F000- 7084- 00	Axel	Drive shaft.....			
X	41	1	1	F000- 5364- 00	Drev.....	Gear, spur	12T		
X	42	1	1	F000- 3866- 00	Drev.....	Gear, spur	20T		
X	43	1	1	F000- 3719- 00	Drev.....	Gear, spur	25T		
X	44	1	1	F000- 3868- 00	Drev.....	Gear, spur	28T		
X	45	1	1	F000- 3683- 00	Drev.....	Gear, spur	31T		
X	46	2	2	F000- 7088- 00	Tätningring	Oil seal			
X	47	2	2	F000- 3184- 00	Bricka	Washer.....			
X	48	1		F000- 7165- 10	Hjulaxel- vä	Wheel axle- LH			
X	48		1	F000- 7166- 10	Hjulaxel- vä	Wheel axle- LH			
X	49	2	2	F000- 5622- 00	Drev.....	Miter gear	12T		
X	50	2	2	F000- 5270- 00	Låsring	Retaining ring			
X	51	1	1	F000- 5181- 00	Drev.....	Spur gear	41T		
X	52	2	2	F000- 5623- 00	Drev.....	Miter gear	12T		
X	53	1	1	F000- 3919- 00	Axel	Cross shaft.....			
X	54	1		F000- 7165- 20	Hjulaxel- hö.....	Wheel axle- RH			
X	54		1	F000- 7166- 20	Hjulaxel- hö.....	Wheel axle- RH			
X	55	1	1	F000- 4691- 00	Sats- shims.....	Kit- shim.....			
X	56	1	1	F000- 7071- A0	Hus- nedre	Housing- lower			
X	57	1	1	F000- 6754- 00	Friktionsbelägg- sats.....	Friction puck kit			
X	58	1	1	F000- 7103- 00	Bromsskiva.....	Brake disc			



Utgåva Issue 2007- 11		Bildnr Picture No 2215		DANA TRANSAXEL 6800- 7 6800- 8		DANA TRANSAXLE 6800- 7 6800- 8		Sida Page 356	
Pos. Fig.	Antal/Quantity				Art nr Part No	Benämning	Description	Sats Kit	Anmärkning Notes
	6800 -7	6800 -8							
59	1	1			F000- 3758- 00	Distans	Spacer		
60	2	2			F000- 3843- 00	Pinne	Dowel pin		
61	1	1			F000- 5554- 00	Bromshållare	Brake jaw		
62		1			F000- 7029- 00	Bromsarm	Actuating lever		
62	1				F000- 7032- 00	Bromsarm	Actuating lever		
63	1	1			F000- 3760- 00	Bricka	Washer		
64	1	1			F000- 5555- 00	Bricka	Bracket		
65	1	1			F000- 3847- 00	Låsmutter	Lock nut		
66	2	2			F000- 5562- 00	Skruv	Screw		
67		1			F000- 7034- 00	Brytare	Switch		



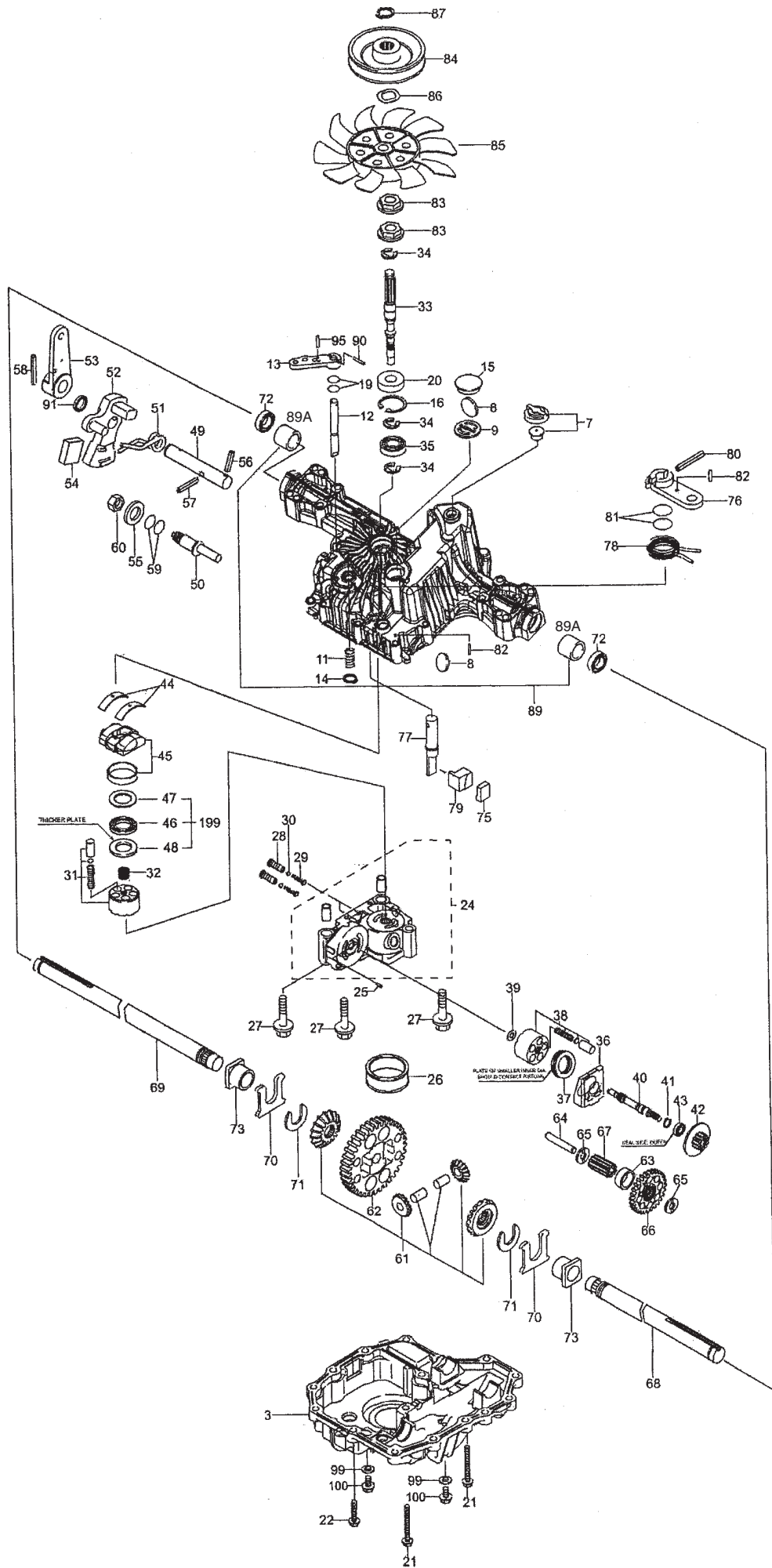
Utgåva Issue	Bildnr Picture No	KANZAKI TRANSAXEL K46G		KANZAKI TRANSAXLE K46G		Sida Page			
2007- 11	1390D					358			
Pos. Fig.	Antal/Quantity				Art nr Part No	Benämning	Description	Sats Kit	Anmärkning Notes
	K46G								
1	1			1134-4848-01	Transaxel kpl.....	Transaxle assy.....		Kanzaki K46G	
3	1			1139-1402-01	Hus- nedre.....	Case- lower.....			
5	1			1139-1301-01	Rör.....	Tube.....			
6	2			1139-1336-01	Slangklämma.....	Hose clamp.....			
8	2			1139-1150-01	Magnet.....	Magnet.....	S		
9	1			1139-1341-01	Hållare- magnet.....	Holder- magnet.....			
11	1			1139-1028-01	Fjäder.....	Spring.....		s/n - 015563	
11	1			1139-1347-01	Fjäder.....	Spring.....		s/n 015564-	
12	1			1139-1251-01	Axel- bypass.....	Shaft- bypass.....			
13	1			1139-1189-01	Arm- bypass.....	Lever- bypass.....			
14	1			1139-1161-01	Låsring.....	Ring.....			
15	1			1139-1275-01	Plugg.....	Bore plug.....			
16	1			1139-1104-01	Låsring.....	Snap ring.....			
19	2			1139-1117-01	O- ring.....	O- ring.....	S		
20	1			1139-1119-01	Tätning.....	Seal.....	S		
21	2			1139-1295-01	Skruv.....	Tapping screw.....			
22	14			1139-0244-01	Skruv.....	Tapping screw.....			
24	1			1139-1273-01	Centrumhus kpl.....	Center case assy.....		s/n 010804-015418	
24	1			1139-1340-01	Centrumhus kpl.....	Center case assy.....		s/n 015419-	
25	1			1139-1158-01	Stift.....	Pin.....			
26	1			1139-1405-01	Filter.....	Filter.....	S		
27	3			1139-1294-01	Bult.....	Bolt.....			
28	2			1139-1339-01	Ventil.....	Valve.....			
29	2			1139-1243-01	Fjäder.....	Spring.....		s/n - 009999	
29	2			1139-1338-01	Fjäder.....	Spring.....		s/n 010000-	
30	2			1139-1346-01	Kula.....	Ball.....			
31	1			1139-1159-01	Cylinderblock kpl.....	Cylinder block assy.....		s/n - 015563	
31	1			1139-1356-01	Cylinderblock kpl.....	Cylinder block assy.....		s/n 015564-	
32	1			1139-1245-01	Fjäder.....	Spring.....			
33	1			1139-1246-01	Pumpaxel.....	Pump shaft.....			
34	3			1139-1146-01	Låsring.....	Ring.....			
35	1			1139-1110-01	Kullager.....	Ball bearing.....			
36	1			1139-1157-01	Hus.....	Housing.....			
37	1			1139-1054-01	Lager.....	Bearing.....			
38	1			1139-1139-01	Cylinderblock kpl.....	Cylinder block assy.....			
39	1			1139-1160-01	Bricka.....	Washer.....			
40	1			1139-1247-01	Motoraxel.....	Motor shaft.....		s/n 010804-015563	
40	1			1139-1353-01	Motoraxel.....	Motor shaft.....		s/n 015564-	
41	1			1139-1021-01	Låsring.....	Snap ring.....			
42	1			1139-1272-01	Motordrev.....	Motor gear.....			
43	1			1139-1453-01	Lager.....	Bearing.....			
44	2			1139-1066-01	Tryckplatta.....	Metal thrust.....			
45	1			1139-1067-01	Stänklatta kpl.....	Swash plate assy.....		s/n - 022544	
45	1			1139-1475-01	Stänklatta kpl.....	Swash plate assy.....		s/n 022545-	
49	1			1139-1315-01	Regleraxel.....	Control shaft.....		s/n 010804-012410	
49	1			1139-1354-01	Regleraxel.....	Control shaft.....		s/n 012411-	
50	1			1139-1316-01	Vridcentrum.....	Fulcrum.....			
51	1			1139-1312-01	Fjäder.....	Spring.....			
52	1			1139-1409-01	Reglerarm.....	Control arm.....			
53	1			1139-1325-01	Reglerarm.....	Control lever.....			
54	1			1139-1408-01	Ryckplatta.....	Jerky plate.....			
55	1			1139-1102-01	Bricka.....	Washer.....			
56	1			1139-1327-01	Stift.....	Pin.....		s/n 010804-012410	
56	1			1139-1355-01	Saxpinne.....	Cotter pin.....		s/n 012411-	
57	1			1139-1329-01	Stift.....	Pin.....			
58	1			1139-1285-01	Stift.....	Pin.....			
59	2			1139-1115-01	O- ring.....	O- ring.....	S		
60	1			1139-1127-01	Mutter.....	Nut.....			
61	1			1139-1404-01	Differentialdrev kpl.....	Differential gear kit.....			
62	1			1139-1258-01	Slutdrev.....	Final gear.....			
63	1			1139-1255-01	Hylsa.....	Collar.....			
64	1			1139-1256-01	Reduktionsaxel.....	Reduction shaft.....			
65	2			1139-1257-01	Bricka.....	Washer.....		s/n - 0022544	



Utgåva Issue 2007- 11		Bildnr Picture No 1390D		KANZAKI TRANSAXEL K46G		KANZAKI TRANSAXLE K46G		Sida Page 360	
Pos. Fig.	Antal/Quantity				Art nr Part No	Benämning	Description	Sats Kit	Anmärkning Notes
	K46G								
65	2			1139-1398-01	Bricka	Washer.....		s/n 0022545-	
66	1			1139-1267-01	Reduktionsdrev	Reduction gear.....			
67	1			1139-1259-01	Slutdrev	Final pinion		s/n - 020523	
67	1			1139-1361-01	Slutdrev	Final pinion		s/n 020524-	
68	1			1139-1269-01	Hjulaxel- vä	Axle shaft- left		s/n 010804- 014194	
68	1			1139-1344-01	Hjulaxel- vä	Axle shaft- left		s/n 014195-	
69	1			1139-1270-01	Hjulaxel- hö	Axle shaft- right.....		s/n 010804- 014194	
69	1			1139-1345-01	Hjulaxel- hö	Axle shaft- right.....		s/n 014195-	
70	2			1139-1078-01	Tryckbricka	Thrust washer			
71	2			1139-1163-01	Låsring	Ring			
72	2			1139-1080-01	Tätning	Seal	S		
73	2			1139-1164-01	Bussning	Bushing.....			
75	1			1139-1260-01	Bromssko	Brake shoe			
76	1			1139-1261-01	Bromsarm	Brake arm			
77	1			1139-1320-01	Bromsaxel	Brake shaft.....			
78	1			1139-1411-01	Returfjäder	Return spring.....			
79	1			1139-1264-01	Bromstryckare.....	Brake actuator.....			
80	1			1139-1282-01	Stift.....	Pin			
81	2			1139-1114-01	O- ring	O- ring	S		
82	2			1139-1281-01	Stift.....	Pin			
83	1			1139-1248-01	Krage.....	Spline collar			
84	1			1139-1469-01	Remskiva.....	Pulley			
85	1			1134-4190-01	Fläkt.....	Fan			
86	1			1139-1266-01	Låsbricka	Lock washer			
87	1			1139-1149-01	Låsring	Snap ring			
89	1			1139-1302-01	Övre hus kpl	Upper housing assy		s/n - 018458	
89	1			1139-1358-01	Övre hus kpl	Upper housing assy		s/n 010000- 0042626	
89	1			1139-1470-01	Hus- övre	Housing- upper		s/n 0042627-	
89A	2			1139-1414-01	• Bussning.....	• Bushing.....			
90	1			1139-1280-01	Stift.....	Pin			
91	1			1139-1303-01	Tätningring	Oil seal	S		
95	1			1139-1279-01	Stift.....	Pin			
99	2			1139-1103-01	Tätningbricka	Seal washer.....	S		
100	2			1139-1123-01	Bult	Bolt			
101	1			1139-1306-01	Adapter.....	Adapter			
102	1			1139-1276-01	Bricka	Collar			
199	1			1139-1362-01	Lager	Bearing.....		Inkl. pos 46 - 48	
200	1			1139-1403-01	Packningssats	Seal kit		Märkta S/ marked S	
201	1			1139-1486-01	Rep.sats	Repair kit.....		Ej ill/not ill.	

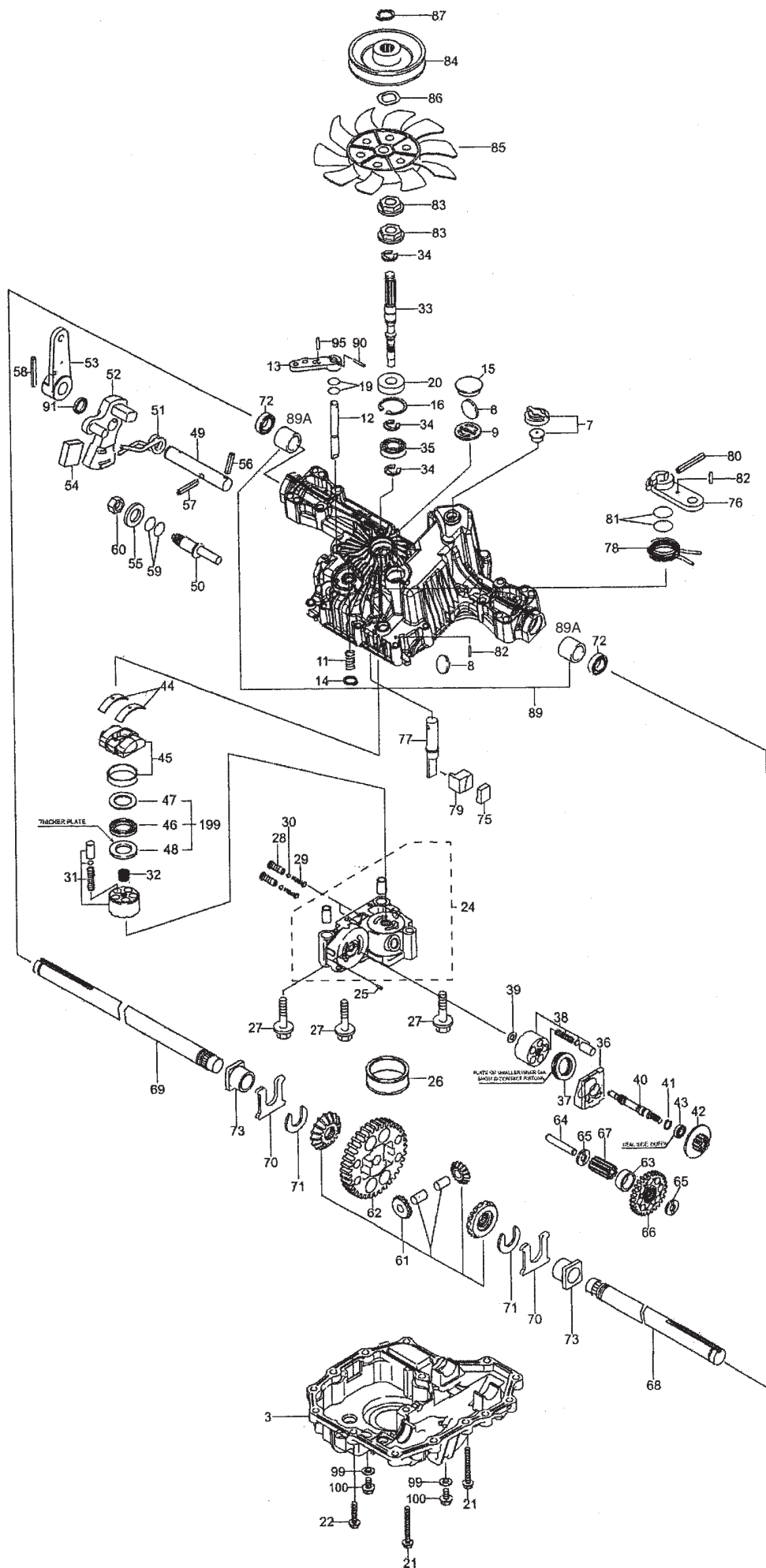
X

200 - Seal Kit

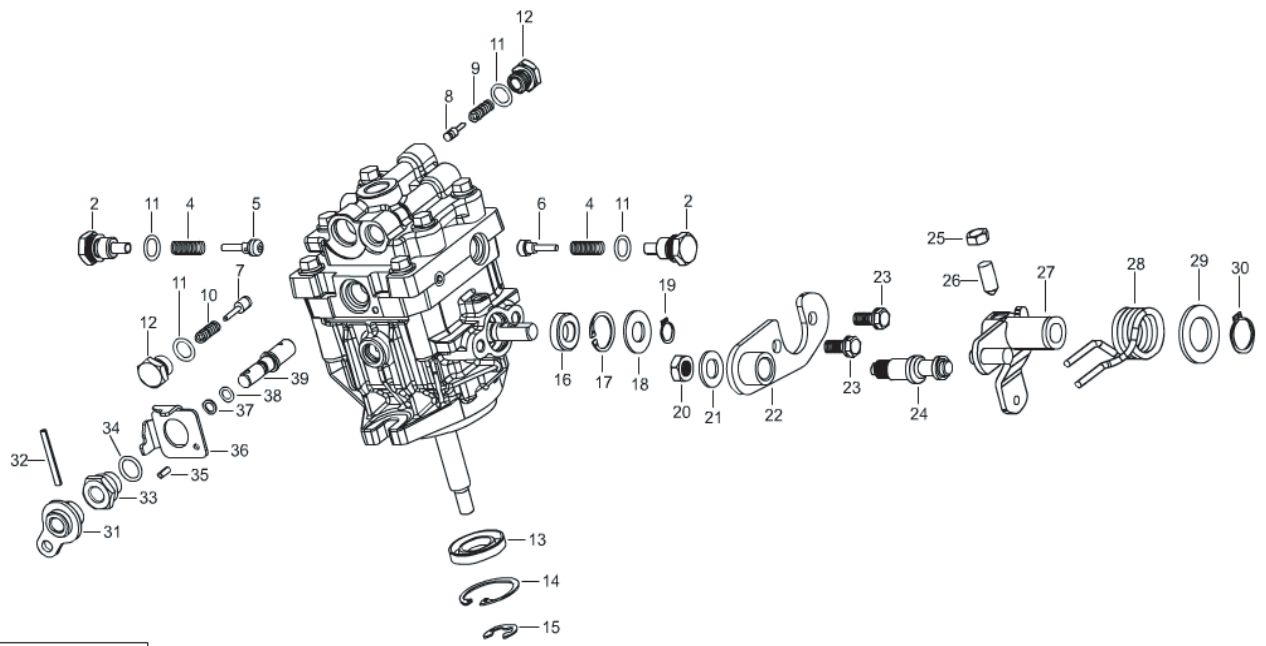


Utgåva Issue 2007- 11		Bildnr Picture No 1391C		KANZAKI TRANSAXEL K46AG		KANZAKI TRANSAXLE K46AG		Sida Page 362	
Pos. Fig.	Antal/Quantity				Art nr Part No	Benämning	Description	Sats Kit	Anmärkning Notes
	K46 AG								
1	1			1134-4846-01	Transaxel kpl.....	Transaxle assy.....		Kanzaki K46AG	
3	1			1139-1402-01	Hus- nedre.....	Case- lower.....			
7	1			1139-1100-01	Ventil kpl.....	Vent valve assy.....			
8	2			1139-1150-01	Magnet.....	Magnet.....	S		
9	1			1139-1341-01	Hållare- magnet.....	Holder- magnet.....			
11	1			1139-1347-01	Fjäder.....	Spring.....			
12	1			1139-1324-01	Axel- bypass.....	Shaft- bypass.....			
13	1			1139-1189-01	Arm- bypass.....	Lever- bypass.....			
14	1			1139-1161-01	Låsring.....	Ring.....			
15	1			1139-1275-01	Plugg.....	Bore plug.....			
16	1			1139-1104-01	Låsring.....	Snap ring.....			
19	2			1139-1117-01	O- ring.....	O- ring.....	S		
20	1			1139-1119-01	Tätning.....	Seal.....	S		
21	2			1139-1295-01	Skruv.....	Tapping screw.....			
22	14			1139-0244-01	Skruv.....	Tapping screw.....			
24	1			1139-1340-01	Centrumhus kpl.....	Center case assy.....			
25	1			1139-1158-01	Stift.....	Pin.....			
26	1			1139-1405-01	Filter.....	Filter.....	S		
27	3			1139-1294-01	Bult.....	Bolt.....			
28	2			1139-1339-01	Ventil.....	Valve.....			
29	2			1139-1338-01	Fjäder.....	Spring.....			
30	2			1139-1346-01	Kula.....	Ball.....			
31	1			1139-1356-01	Cylinderblock kpl.....	Cylinder block assy.....			
32	1			1139-1245-01	Fjäder.....	Spring.....			
33	1			1139-1246-01	Pumpaxel.....	Pump shaft.....	s/n - 0030152		
33	1			1139-1406-01	Pumpaxel.....	Pump shaft.....	s/n 0030153-		
34	3			1139-1146-01	Låsring.....	Ring.....			
35	1			1139-1110-01	Kullager.....	Ball bearing.....			
36	1			1139-1157-01	Hus.....	Housing.....			
37	1			1139-1054-01	Lager.....	Bearing.....			
38	1			1139-1139-01	Cylinderblock kpl.....	Cylinder block assy.....			
39	1			1139-1160-01	Bricka.....	Washer.....			
40	1			1139-1353-01	Motoraxel.....	Motor shaft.....			
41	1			1139-1021-01	Låsring.....	Snap ring.....			
42	1			1139-1272-01	Motordrev.....	Motor gear.....			
43	1			1139-1453-01	Lager.....	Bearing.....			
44	2			1139-1066-01	Tryckplatta.....	Metal thrust.....			
45	1			1139-1067-01	Stänklatta kpl.....	Swash plate assy.....	s/n - 013937		
45	1			1139-1475-01	Stänklatta kpl.....	Swash plate assy.....	s/n 013938-		
49	1			1139-1315-01	Regleraxel.....	Control shaft.....	s/n 004000- 006773		
49	1			1139-1354-01	Regleraxel.....	Control shaft.....	s/n 006774-		
50	1			1139-1410-01	Excenter.....	Fulcrum.....	s/n 004000-		
51	1			1139-1312-01	Fjäder.....	Spring.....			
52	1			1139-1409-01	Reglerarm.....	Control arm.....			
53	1			1139-1325-01	Reglerarm.....	Control lever.....			
54	1			1139-1408-01	Ryckplatta.....	Jerky plate.....			
55	1			1139-1102-01	Bricka.....	Washer.....			
56	1			1139-1327-01	Stift.....	Pin.....	s/n 004000-006773		
56	1			1139-1355-01	Saxpinne.....	Cotter pin.....	s/n 006774-		
57	1			1139-1329-01	Stift.....	Pin.....			
58	1			1139-1285-01	Stift.....	Pin.....			
59	2			1139-1115-01	O- ring.....	O- ring.....	S		
60	1			1139-1127-01	Mutter.....	Nut.....			
61	1			1139-1404-01	Differentialdrev kpl.....	Differential gear kit.....			
62	1			1139-1258-01	Slutdrev.....	Final gear.....			
63	1			1139-1255-01	Hylsa.....	Collar.....			
64	1			1139-1256-01	Reduktionsaxel.....	Reduction shaft.....			
65	2			1139-1257-01	Bricka.....	Washer.....	s/n - 0013064		
65	2			1139-1398-01	Bricka.....	Washer.....	s/n 0013065-		
66	1			1139-1267-01	Reduktionsdrev.....	Reduction gear.....			
67	1			1139-1259-01	Slutdrev.....	Final pinion.....	s/n - 013064		
67	1			1139-1361-01	Slutdrev.....	Final pinion.....	s/n 013065-		
68	1			1139-1269-01	Hjulaxel- vä.....	Axle shaft- left.....	s/n 000001- 003999		

X

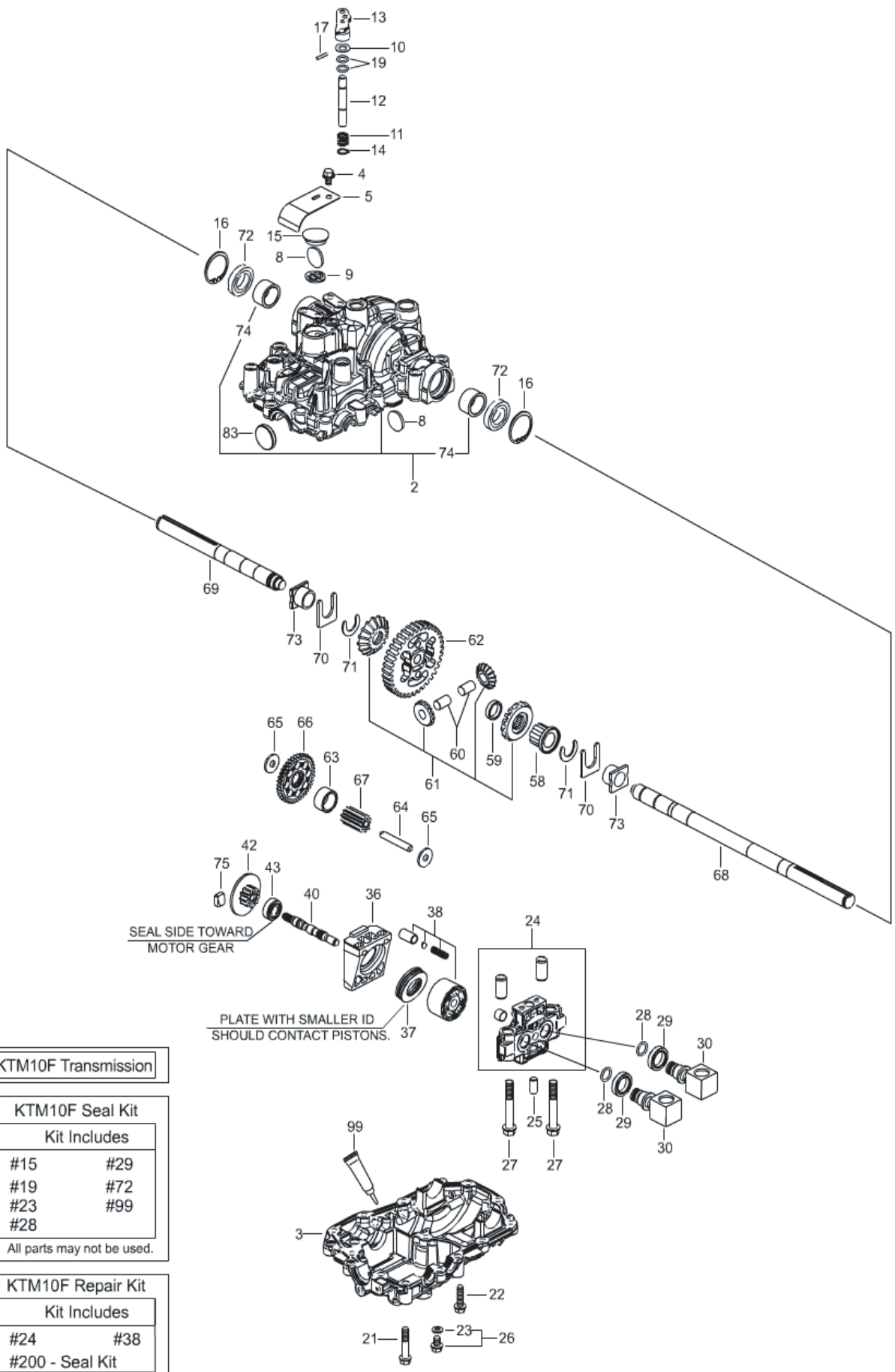


Utgåva Issue 2007- 11		Bildnr Picture No 1391C		KANZAKI TRANSAXEL K46AG		KANZAKI TRANSAXLE K46AG		Sida Page 364	
Pos. Fig.	Antal/Quantity				Art nr Part No	Benämning	Description	Sats Kit	Anmärkning Notes
	K46 AG								
68	1				1139-1342-01	Hjulaxel- vä	Axle shaft- left		s/n 004000- s/n 000001- 003999 s/n 004000-
69	1				1139-1270-01	Hjulaxel- hö	Axle shaft- right		
69	1				1139-1343-01	Hjulaxel- hö	Axle shaft- right		
70	2				1139-1078-01	Tryckbricka	Thrust washer		
71	2				1139-1163-01	Låsring	Ring		
72	2				1139-1080-01	Tätning	Seal	S	
73	2				1139-1164-01	Bussning	Bushing		
75	1				1139-1260-01	Bromssko	Brake shoe		
76	1				1139-1261-01	Bromsarm	Brake arm		
77	1				1139-1320-01	Bromsaxel	Brake shaft		
78	1				1139-1411-01	Returfjäder	Return spring		
79	1				1139-1264-01	Bromstryckare	Brake actuator		
80	1				1139-1282-01	Stift	Pin		
81	2				1139-1114-01	O- ring	O- ring	S	
82	2				1139-1281-01	Stift	Pin		
83	2				1139-1248-01	Krage	Spline collar		
84	1				1139-1484-01	Remskiva	Belt pulley		
85	1				1134-4190-01	Fläkt	Fan		
86	1				1139-1266-01	Låsbricka	Lock washer		
87	1				1139-1149-01	Låsring	Snap ring		
89	1				1139-1351-01	Övre hus	Upper housing	s/n - 003999 s/n 004000-	
X 89	1				1139-1485-01	Hus- övre	Housing- upper		
89A	2				1139-1414-01	• Bussning	• Bushing		
90	1				1139-1280-01	Stift	Pin		
91	1				1139-1303-01	Tätningssring	Oil seal	S	
95	1				1139-1279-01	Stift	Pin		
99	2				1139-1103-01	Tätningssbricka	Seal washer	S	
100	2				1139-1123-01	Bult	Bolt		
199	1				1139-1362-01	Lager	Bearing	Inkl. pos 46 - 48 Märkta S/ marked S Ej ill/ not ill.	
X 200	1				1139-1403-01	Packningssats	Seal kit		
X 201	1				1139-1486-01	Rep.sats	Repair kit		



1- KPL-10ALP
Transmission

Utgåva Issue 2007- 11		Bildnr Picture No 1826A		KANZAKI HYDRAULPUMP KPL- 10ALP		KANZAKI HYDRAULIC PUMP KPL- 10ALP		Sida Page 366	
Pos. Fig.	Antal/Quantity				Art nr Part No	Benämning	Description	Sats Kit	Anmärkning Notes
	KPL- 10 ALP								
1	1				1134-5700-01	Hydraulpump kpl	Hydraulic pump assy		Kanzaki KPL- 10ALP
2	2				1139-1367-01	Plugg	Check plug		
4	2				1139-1366-01	Fjäder	Spring		
5	1				1139-1374-01	Ventil	Check valve R		
6	1				1139-1368-01	Ventil	Check valve F		
7	1				1139-1386-01	Ventil	Charge valve		
8	1				1139-1385-01	Ventil	Relief valve		
9	1				1139-1376-01	Fjäder	Spring		
10	1				1139-1389-01	Ventilfjäder	Valve spring		
11	4				1139-1114-01	O- ring	O- ring		
12	2				1139-1375-01	Plugg	Charge plug		
13	1				1139-1396-01	Tätningring	Seal		
14	1				1139-1369-01	Spårring	Snap ring		
15	1				1139-1146-01	Låsring	Ring		
16	1				1139-1365-01	Tätningring	Oil seal		
17	1				1139-1393-01	Spårring	Ring		
18	1				1139-1382-01	Bricka	Washer		
19	1				1139-1391-01	Låsring	Ring		
20	1				1139-1127-01	Mutter	Nut		
21	1				1139-1102-01	Bricka	Washer		
22	1				1139-1377-01	Plåt	Plate		
23	2				1139-1122-01	Bult m.bricka	Bolt w/washer		
24	1				1139-1378-01	Vridcentrum	Fulcrum		
25	1				1139-1127-01	Mutter	Nut		
26	1				1139-1381-01	Stoppskruv	Set screw		
27	1				1139-1379-01	Arm	Arm		
28	1				1139-1380-01	Returfjäder	Return spring		
29	1				1139-1390-01	Bricka	Washer		
30	1				1139-1392-01	Spårring	Ring		
31	1				1139-1372-01	By- pass arm	By- pass lever		
32	1				1139-1395-01	Stift	Pin		
33	1				1139-1371-01	Adapter	By- pass adapter		
34	1				1139-1115-01	O- ring	O- ring		
35	1				1139-1394-01	Stift	Pin		
36	1				1139-1373-01	Plåt	By- pass plate		
37	1				1139-1387-01	Ring	Back- up ring		
38	1				1139-1112-01	O- ring	O- ring		
39	1				1139-1370-01	By- pass axel	By- pass pin		



1- KTM10F Transmission

200- KTM10F Seal Kit

Kit Includes	
#15	#29
#19	#72
#23	#99
#28	

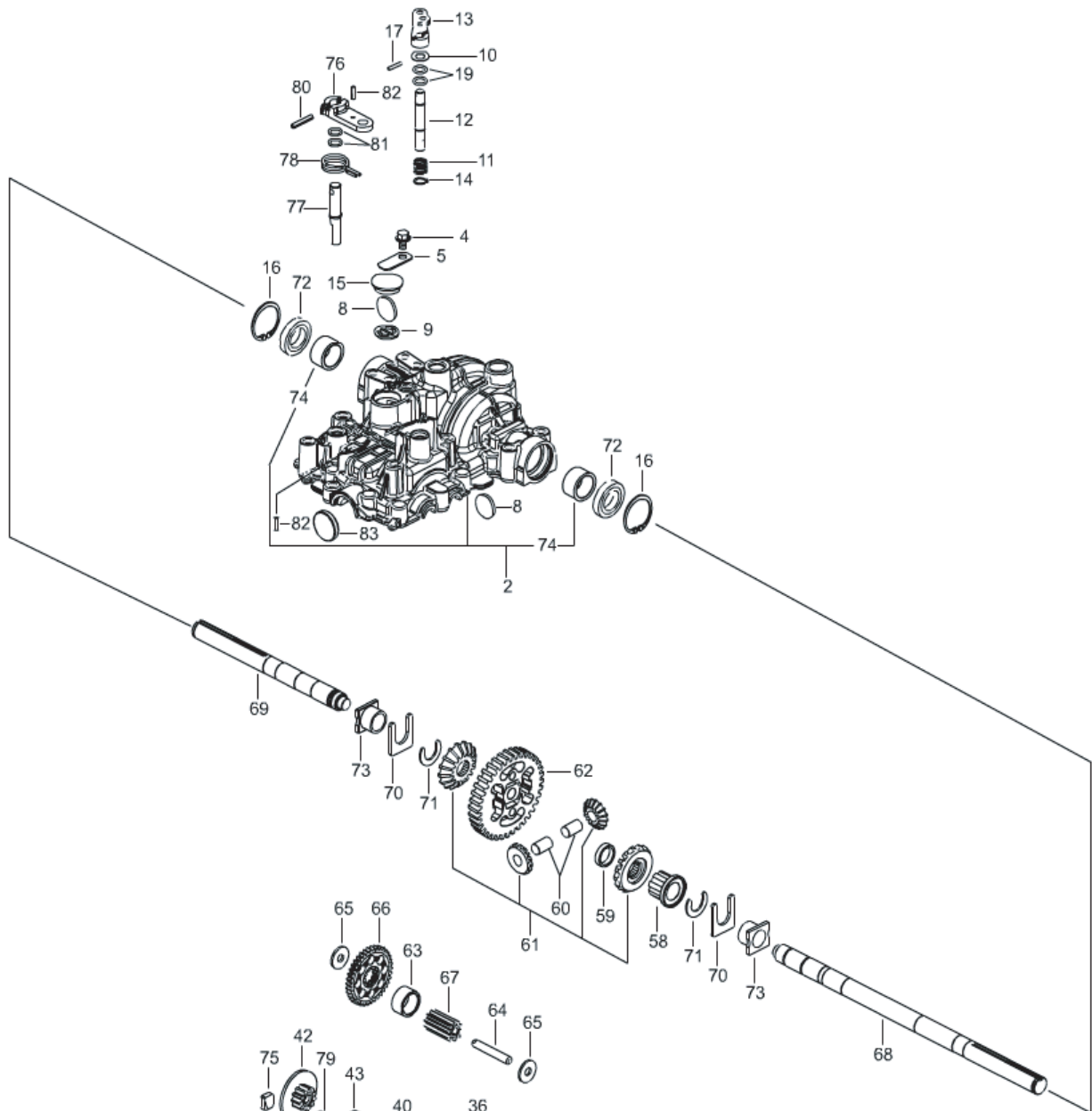
All parts may not be used.

201- KTM10F Repair Kit

Kit Includes	
#24	#38
#200 - Seal Kit	

All parts may not be used.

Utgåva Issue 2007- 11		Bildnr Picture No 2216		KANZAKI TRANSAXEL KTM 10F		KANZAKI TRANSAXLE KTM 10F		Sida Page 368	
Pos. Fig.	Antal/Quantity				Art nr Part No	Benämning	Description	Sats Kit	Anmärkning Notes
	KTM 10F								
1	1				1134-5702-01	Motoraxel- fram	Motor shaft- front.....		Kanzaki KTM 10F Inkl. pos 74
2	1				1139-1417-01	Hus- övre	Housing- upper		
3	1				1139-1418-01	Hus- nedre	Housing- lower		
4	1				1139-1123-01	Bult	Bolt		
5	1				1139-1384-01	Glidplåt	Skid plate		
8	2				1139-1150-01	Magnet	Magnet.....		
9	1				1139-1341-01	Hållare- magnet	Holder- magnet		
10	1				1139-1388-01	Bricka	Washer.....		
11	1				1139-1421-01	Fjäder.....	Spring		
12	1				1139-1420-01	By- passaxel.....	By- pass shaft		
13	1				1139-1189-01	Arm- bypass	Lever- bypass.....		
14	1				1139-1391-01	Låsring	Ring		
15	1				1139-1397-01	Tätningshuv.....	Sealing cap		
16	2				1139-1444-01	Låsring	Ring		
17	1				1139-1280-01	Stift.....	Pin		
19	2				1139-1114-01	O- ring	O- ring		
21	3				1139-1291-01	Bult.....	Bolt		
22	11				1139-1448-01	Bult.....	Bolt		
23	1				1139-1103-01	Tätningbricka	Seal washer.....		
24	1				1139-1419-01	Centrumhus kpl	Center case assy		
25	1				1139-1445-01	Tapp.....	Pin		
27	2				1139-1449-01	Bult.....	Bolt		
28	2				1139-1446-01	Packning.....	Packing		
29	2				1139-1447-01	Tätningring	Seal		
30	2				1139-1424-01	Anslutning	Connector		
36	1				1139-1422-01	Hus.....	Housing		
37	1				1139-1438-01	Lager	Bearing.....		
38	1				1139-1139-01	Cylinderblock kpl	Cylinder block assy		
40	1				1139-1425-01	Motoraxel	Motor shaft		
42	1				1139-1442-01	Motordrev.....	Motor gear		
43	1				1139-1286-01	Kullager	Ball bearing		
58	1				1139-1330-01	Hylsa	Collar		
59	1				1139-1435-01	Hylsa	Collar		
60	1				1139-1440-01	Axel	Pin		
61	1				1139-1439-01	Differentialdrev kpl	Differential gear kit.....		
62	1				1139-1429-01	Slutdrev	Final gear		
63	1				1139-1427-01	Hylsa	Collar		
64	1				1139-1256-01	Reduktionsaxel	Reduction shaft.....		
65	2				1139-1398-01	Bricka	Washer.....		
66	1				1139-1441-01	Reduktionsdrev	Reduction gear.....		
67	1				1139-1361-01	Slutdrev	Final pinion		
68	1				1139-1432-01	Hjulaxel.....	Axle.....		
69	1				1139-1431-01	Hjulaxel.....	Axle.....		
70	2				1139-1194-01	Tryckbricka	Thrust washer		
71	2				1139-1155-01	Låsring	Ring		
72	2				1139-1044-01	Tätning	Seal		
73	2				1139-1156-01	Bussning	Bushing.....		
74	2				1139-1415-01	• Bussning.....	• Bushing.....		
75	1				1139-1260-01	Bromssko	Brake shoe		
83	1				1139-1450-01	Tätningshuv.....	Sealing cap		
99	1				1139-1443-01	Tätningmedel.....	Sealant		
200	1				1139-1436-01	Servicesats.....	Seal kit		



1- **KTM10G Transmission**

KTM10G Seal Kit

Kit Includes

#15	#51
#19	#55
#23	#72
#28	#81
#29	#99

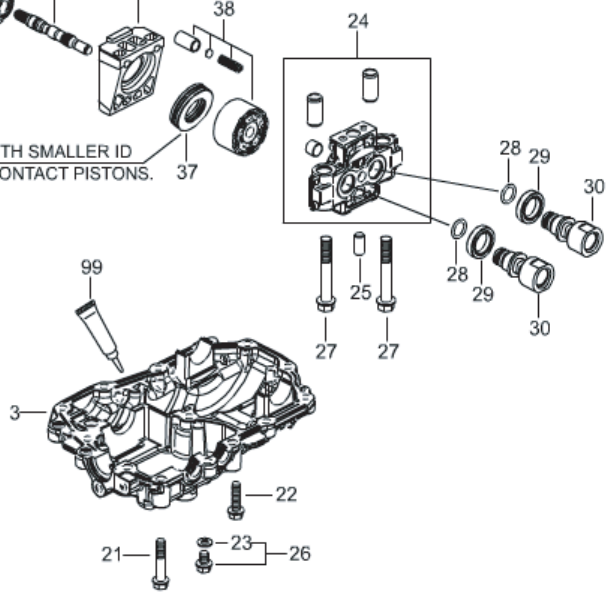
All parts may not be used.

KTM10G Repair Kit

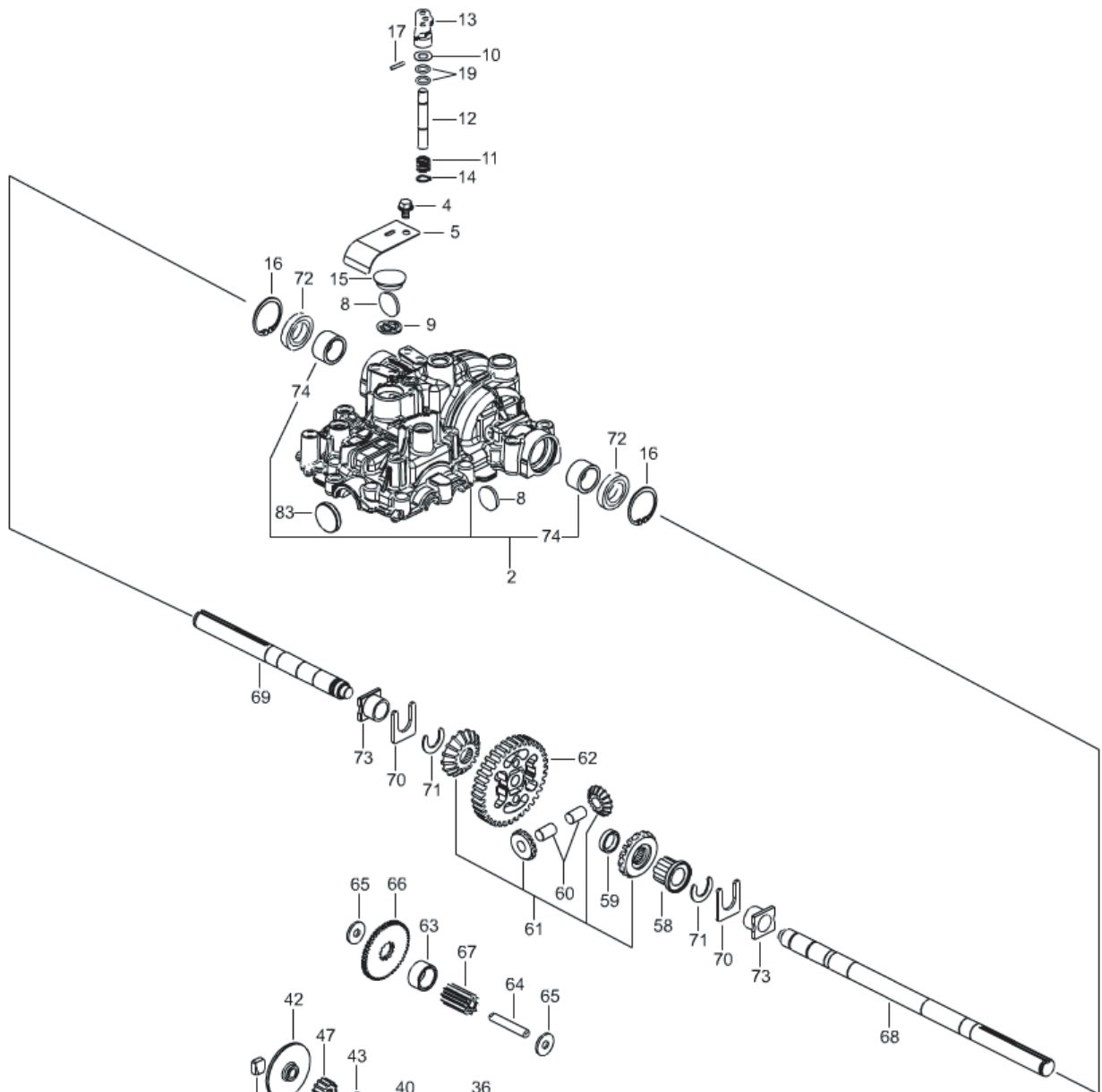
Kit Includes

#24	#38
#200 - Seal Kit	

All parts may not be used.



Utgåva Issue 2007- 11		Bildnr Picture No 2217		KANZAKI TRANSAXEL KTM 10G		KANZAKI TRANSAXLE KTM 10G		Sida Page 370	
Pos. Fig.	Antal/Quantity				Art nr Part No	Benämning	Description	Sats Kit	Anmärkning Notes
	KTM 10G								
1	1				1134-5701-01	Motoraxel- bak.....	Motor shaft- rear.....		Kanzaki KTM 10G Inkl. pos 74
2	1				1139-1416-01	Hus- övre.....	Housing- upper.....		
3	1				1139-1418-01	Hus- nedre.....	Housing- lower.....		
4	1				1139-1123-01	Bult.....	Bolt.....		
5	1				1139-1383-01	Plåt.....	Vent port plate.....		
8	2				1139-1150-01	Magnet.....	Magnet.....		
9	1				1139-1341-01	Hållare- magnet.....	Holder- magnet.....		
10	1				1139-1388-01	Bricka.....	Washer.....		
11	1				1139-1421-01	Fjäder.....	Spring.....		
12	1				1139-1420-01	By- passaxel.....	By- pass shaft.....		
13	1				1139-1189-01	Arm- bypass.....	Lever- bypass.....		
14	1				1139-1391-01	Låsring.....	Ring.....		
15	1				1139-1397-01	Tätningshuv.....	Sealing cap.....		
16	2				1139-1444-01	Låsring.....	Ring.....		
17	1				1139-1280-01	Stift.....	Pin.....		
19	2				1139-1114-01	O- ring.....	O- ring.....		
21	3				1139-1291-01	Bult.....	Bolt.....		
22	11				1139-1448-01	Bult.....	Bolt.....		
23	1				1139-1103-01	Tätningbricka.....	Seal washer.....		
24	1				1139-1419-01	Centrumhus kpl.....	Center case assy.....		
25	1				1139-1445-01	Tapp.....	Pin.....		
27	2				1139-1449-01	Bult.....	Bolt.....		
28	2				1139-1446-01	Packning.....	Packing.....		
29	2				1139-1447-01	Tätningring.....	Seal.....		
30	2				1139-1423-01	Anslutning.....	Connector.....		
36	1				1139-1422-01	Hus.....	Housing.....		
37	1				1139-1438-01	Lager.....	Bearing.....		
38	1				1139-1139-01	Cylinderblock kpl.....	Cylinder block assy.....		
40	1				1139-1425-01	Motoraxel.....	Motor shaft.....		
42	1				1139-1442-01	Motordrev.....	Motor gear.....		
43	1				1139-1286-01	Kullager.....	Ball bearing.....		
58	1				1139-1330-01	Hylsa.....	Collar.....		
59	1				1139-1435-01	Hylsa.....	Collar.....		
60	1				1139-1440-01	Axel.....	Pin.....		
61	1				1139-1439-01	Differentialdrev kpl.....	Differential gear kit.....		
62	1				1139-1429-01	Slutdrev.....	Final gear.....		
63	1				1139-1427-01	Hylsa.....	Collar.....		
64	1				1139-1256-01	Reduktionsaxel.....	Reduction shaft.....		
65	2				1139-1398-01	Bricka.....	Washer.....		
66	1				1139-1441-01	Reduktionsdrev.....	Reduction gear.....		
67	1				1139-1361-01	Slutdrev.....	Final pinion.....		
68	1				1139-1434-01	Hjulaxel.....	Axle.....		
69	1				1139-1433-01	Hjulaxel.....	Axle.....		
70	2				1139-1194-01	Tryckbricka.....	Thrust washer.....		
71	2				1139-1155-01	Låsring.....	Ring.....		
72	2				1139-1044-01	Tätning.....	Seal.....		
73	2				1139-1156-01	Bussning.....	Bushing.....		
74	2				1139-1415-01	• Bussning.....	• Bushing.....		
75	1				1139-1260-01	Bromssko.....	Brake shoe.....		
76	1				1139-1261-01	Bromsarm.....	Brake arm.....		
77	1				1139-1320-01	Bromsaxel.....	Brake shaft.....		
78	1				1139-1263-01	Returfjäder.....	Return spring.....		
79	1				1139-1264-01	Bromstryckare.....	Brake actuator.....		
80	1				1139-1282-01	Stift.....	Pin.....		
82	2				1139-1281-01	Stift.....	Pin.....		
83	1				1139-1450-01	Tätningshuv.....	Sealing cap.....		
99	1				1139-1443-01	Tätningmedel.....	Sealant.....		
200	1				1139-1437-01	Servicesats.....	Seal kit.....		



1- KTM10M Transmission

KTM10M Seal Kit

Kit Includes

- #15 #29
- #19 #72
- #23 #99
- #28

All parts may not be used.

KTM10M Repair Kit

Kit Includes

- #24 #38
- #200 - Seal Kit

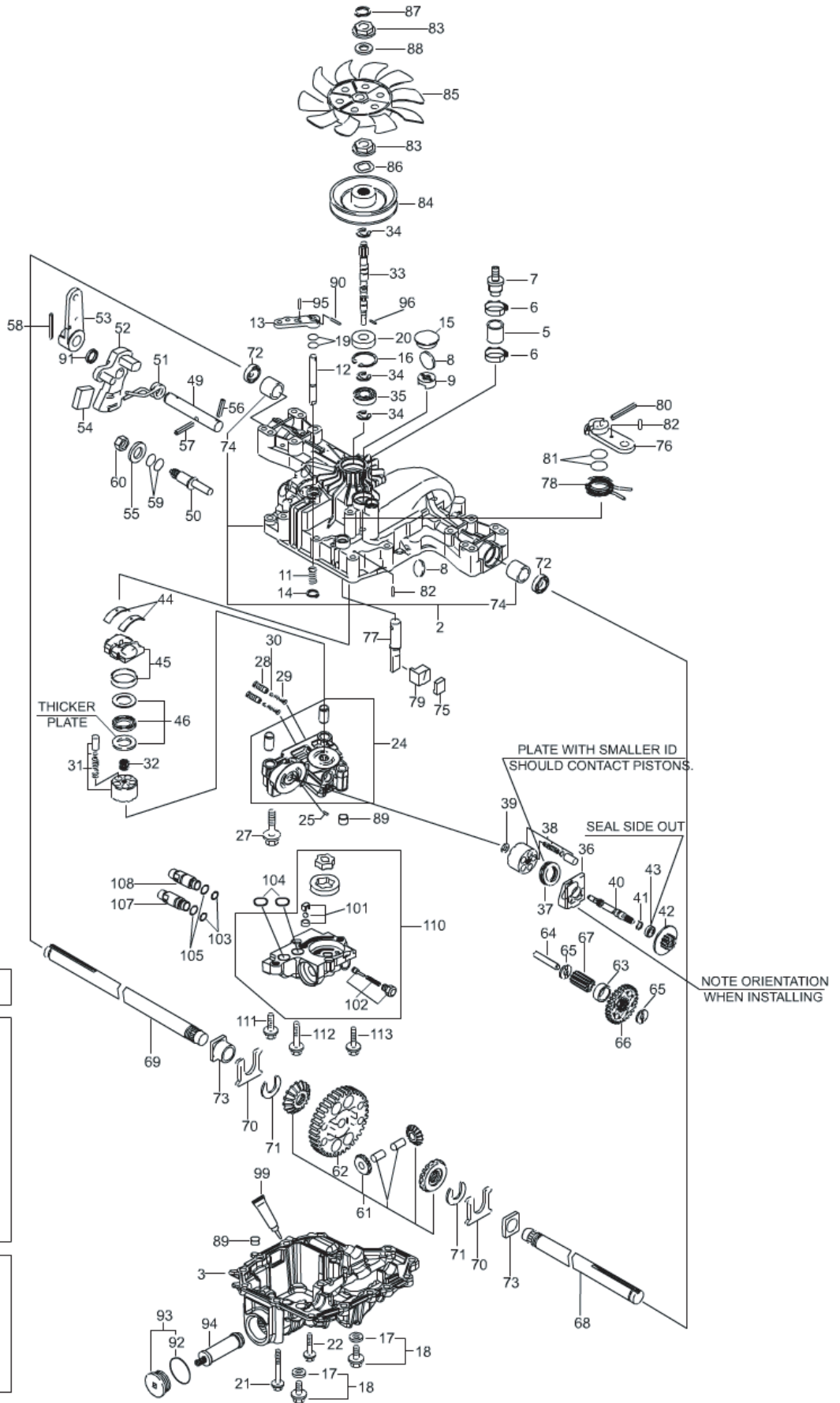
All parts may not be used.

200-

201-



Utgåva Issue 2007- 11		Bildnr Picture No 2218		KANZAKI TRANSAXEL KTM 10M		KANZAKI TRANSAXLE KTM 10M		Sida Page 372	
Pos. Fig.	Antal/Quantity				Art nr Part No	Benämning	Description	Sats Kit	Anmärkning Notes
	KTM 10M								
1	1				1134- 6029- 01	Motoraxel- fram	Transaxle- front		Kanzaki KTM 10M Inkl. pos 74
2	1				1139- 1417- 01	Hus- övre	Housing- upper		
3	1				1139- 1418- 01	Hus- nedre	Housing- lower		
4	1				1139- 1123- 01	Bult	Bolt		
5	1				1139- 1384- 01	Glidplåt	Skid plate		
8	2				1139- 1150- 01	Magnet	Magnet		
9	1				1139- 1341- 01	Hållare- magnet	Holder- magnet		
10	1				1139- 1388- 01	Bricka	Washer		
11	1				1139- 1421- 01	Fjäder	Spring		
12	1				1139- 1420- 01	By- passaxel	By- pass shaft		
13	1				1139- 1189- 01	Arm- bypass	Lever- bypass		
14	1				1139- 1391- 01	Låsring	Ring		
15	1				1139- 1397- 01	Tätningshuv	Sealing cap		
16	2				1139- 1444- 01	Låsring	Ring		
17	1				1139- 1280- 01	Stift	Pin		
19	2				1139- 1114- 01	O- ring	O- ring		
21	3				1139- 1291- 01	Bult	Bolt		
22	11				1139- 1448- 01	Bult	Bolt		
23	1				1139- 1103- 01	Tätningbricka	Seal washer		
24	1				1139- 1419- 01	Centrumhus kpl	Center case assy		
25	1				1139- 1445- 01	Tapp	Pin		
27	2				1139- 1449- 01	Bult	Bolt		
28	2				1139- 1446- 01	Packning	Packing		
29	2				1139- 1447- 01	Tätningring	Seal		
30	2				1139- 1424- 01	Anslutning	Connector		
36	1				1139- 1422- 01	Hus	Housing		
37	1				1139- 1438- 01	Lager	Bearing		
38	1				1139- 1139- 01	Cylinderblock kpl	Cylinder block assy		
40	1				1139- 1425- 01	Motoraxel	Motor shaft		
42	1				1139- 1451- 01	Bromsskiva	Brake disc		
43	1				1139- 1453- 01	Lager	Bearing		
47	1				1139- 1426- 01	Motordrev	Motor gear		
58	1				1139- 1330- 01	Hylsa	Collar		
59	1				1139- 1435- 01	Hylsa	Collar		
60	1				1139- 1440- 01	Axel	Pin		
61	1				1139- 1439- 01	Differentialdrev kpl	Differential gear kit		
62	1				1139- 1429- 01	Slutdrev	Final gear		
63	1				1139- 1427- 01	Hylsa	Collar		
64	1				1139- 1256- 01	Reduktionsaxel	Reduction shaft		
65	2				1139- 1398- 01	Bricka	Washer		
66	1				1139- 1430- 01	Reduktionsdrev	Reduction gear		
67	1				1139- 1361- 01	Slutdrev	Final pinion		
68	1				1139- 1432- 01	Hjulaxel	Axle		
69	1				1139- 1431- 01	Hjulaxel	Axle		
70	2				1139- 1194- 01	Tryckbricka	Thrust washer		
71	2				1139- 1155- 01	Låsring	Ring		
72	2				1139- 1044- 01	Tätning	Seal		
73	2				1139- 1156- 01	Bussning	Bushing		
74	2				1139- 1415- 01	• Bussning	• Bushing		
75	1				1139- 1260- 01	Bromssko	Brake shoe		
83	1				1139- 1450- 01	Tätningshuv	Sealing cap		
99	1				1139- 1443- 01	Tätningmedel	Sealant		
200	1				1139- 1436- 01	Servicesats	Seal kit		



1 K574B Transmission

K574B Seal Kit

Kit Includes

#19	#91
#20	#92
#23	#94
#30	#99
#59	#103
#72	#104
#81	#105

All parts may not be used.

200

K574B Repair Kit

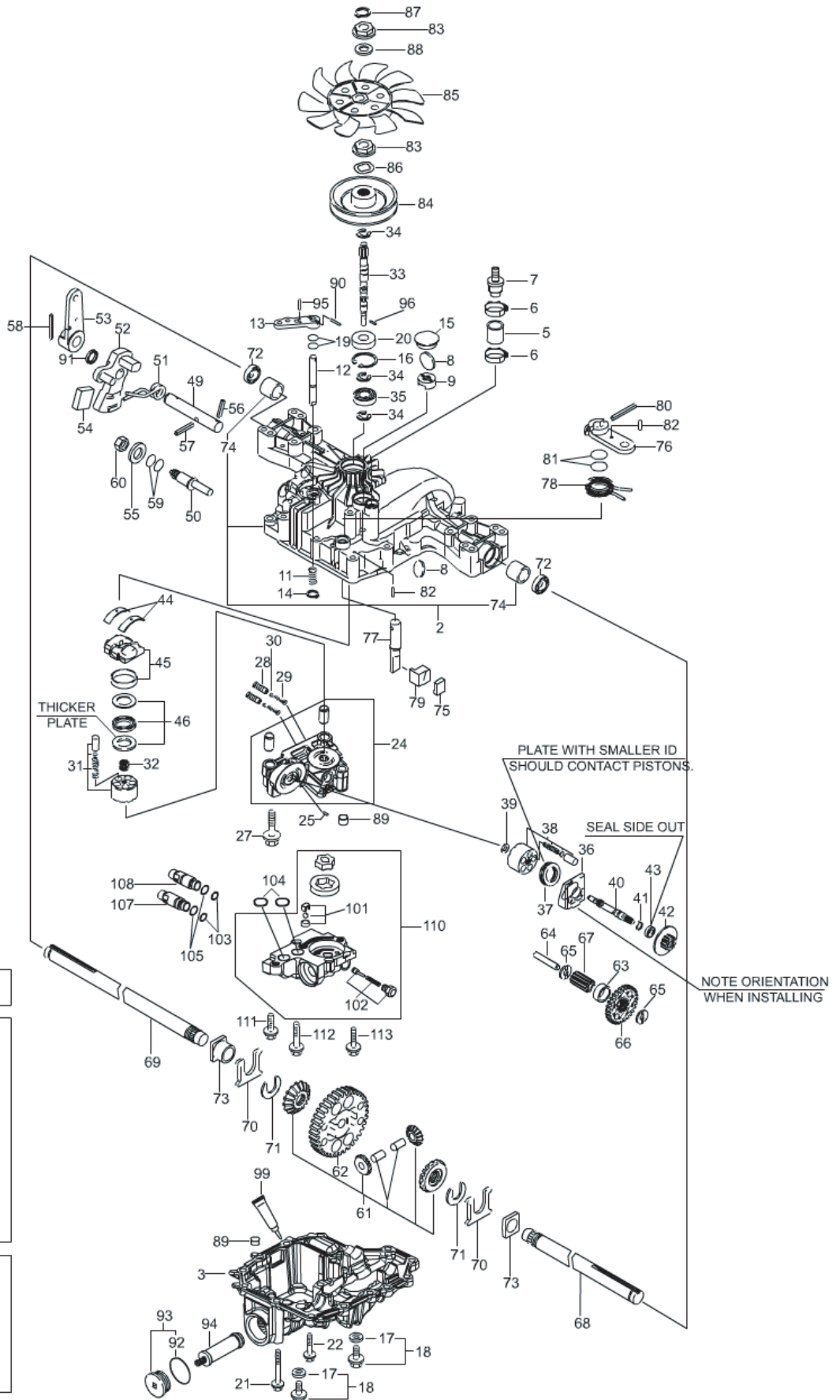
Kit Includes

#24	#38
#31	
#200-Seal Kit	

All parts may not be used.

201

Utgåva Issue 2007- 11		Bildnr Picture No 2219		KANZAKI TRANSAXEL K574B		KANZAKI TRANSAXLE K574B		Sida Page 374	
Pos. Fig.	Antal/Quantity				Art nr Part No	Benämning	Description	Sats Kit	Anmärkning Notes
	574B								
1	1				1134-6028-01	Transaxel kpl.....	Transaxle assy.....		Kanzaki K574B Inkl. pos 74 Inkl. pos 17
2	1				1139-1470-01	Hus- övre	Housing- upper		
3	1				1139-1457-01	Hus- nedre	Housing- lower		
5	1				1139-1301-01	Rör	Tube		
6	2				1139-1336-01	Slangklämma.....	Hose clamp		
7	1				1139-1306-01	Adapter.....	Adapter		
8	2				1139-1150-01	Magnet	Magnet		
9	1				1139-1341-01	Hållare- magnet	Holder- magnet		
11	1				1139-1347-01	Fjäder.....	Spring		
12	1				1139-1251-01	Axel- bypass	Shaft- bypass		
13	1				1139-1189-01	Arm- bypass	Lever- bypass		
14	1				1139-1161-01	Låsring	Ring		
15	1				1139-1275-01	Plugg.....	Bore plug		
16	1				1139-1104-01	Låsring	Snap ring		
17	2				1139-1103-01	• Tätningbricka	• Seal washer.....		
18	2				1139-1123-01	Bult	Bolt		
20	1				1139-1119-01	Tätning	Seal		
21	4				1139-1473-01	Bult.....	Bolt		
22	12				1139-0244-01	Skruv.....	Tapping screw.....		
24	1				1139-1465-01	Centrumhus.....	Center case		
25	1				1139-1158-01	Stift.....	Pin		
27	2				1139-1294-01	Bult.....	Bolt		
28	2				1139-1468-01	Ventil	IDS valve.....		
29	2				1139-1243-01	Fjäder.....	Spring		
30	2				1139-1307-01	Filter	Filter		
31	1				1139-1356-01	Cylinderblock kpl	Cylinder block assy		
32	1				1139-1245-01	Fjäder.....	Spring		
33	1				1139-1466-01	Pumpaxel.....	Pump shaft		
34	3				1139-1146-01	Låsring	Ring		
35	1				1139-1110-01	Kullager	Ball bearing.....		
36	1				1139-1458-01	Hus	Housing		
37	1				1139-1438-01	Lager	Bearing.....		
38	1				1139-1454-01	Cylinderblock.....	Cylinder block		
39	1				1139-1160-01	Bricka	Washer.....		
40	1				1139-1353-01	Motoraxel	Motor shaft		
41	1				1139-1021-01	Låsring	Snap ring		
42	1				1139-1272-01	Motordrev.....	Motor gear		
43	1				1139-1453-01	Lager	Bearing.....		
44	2				1139-1066-01	Tryckplatta	Metal thrust.....		
45	1				1139-1067-01	Stänkplatta kpl	Swash plate assy		
46	1				1139-1068-01	Lager	Bearing.....		
49	1				1139-1354-01	Regleraxel.....	Control shaft		
50	1				1139-1410-01	Excenter.....	Fulcrum.....		
51	1				1139-1312-01	Fjäder.....	Spring		
52	1				1139-1409-01	Reglerarm.....	Control arm.....		
53	1				1139-1325-01	Reglerarm.....	Control lever		
54	1				1139-1408-01	Ryckplatta.....	Jerky plate.....		
55	1				1139-1102-01	Bricka	Washer.....		
56	1				1139-1355-01	Saxpinne.....	Cotter pin		
57	1				1139-1329-01	Stift.....	Pin		
58	1				1139-1285-01	Stift.....	Pin		
60	1				1139-1127-01	Mutter.....	Nut		
61	1				1139-1404-01	Differentialdrev kpl	Differential gear kit.....		
62	1				1139-1258-01	Slutdrev	Final gear		
63	1				1139-1255-01	Hylsa	Collar		
64	1				1139-1256-01	Reduktionsaxel	Reduction shaft.....		
65	2				1139-1398-01	Bricka	Washer.....		
66	1				1139-1267-01	Reduktionsdrev	Reduction gear.....		
67	1				1139-1361-01	Slutdrev	Final pinion		
68	1				1139-1344-01	Hjulaxel- vä	Axle shaft- left		
69	1				1139-1345-01	Hjulaxel- hö	Axle shaft- right.....		
70	2				1139-1078-01	Tryckbricka	Thrust washer		
71	2				1139-1163-01	Låsring	Ring		



1- **K574B Transmission**

K574B Seal Kit

Kit Includes

- | | |
|-----|------|
| #19 | #91 |
| #20 | #92 |
| #23 | #94 |
| #30 | #99 |
| #59 | #103 |
| #72 | #104 |
| #81 | #105 |

All parts may not be used.

200-

K574B Repair Kit

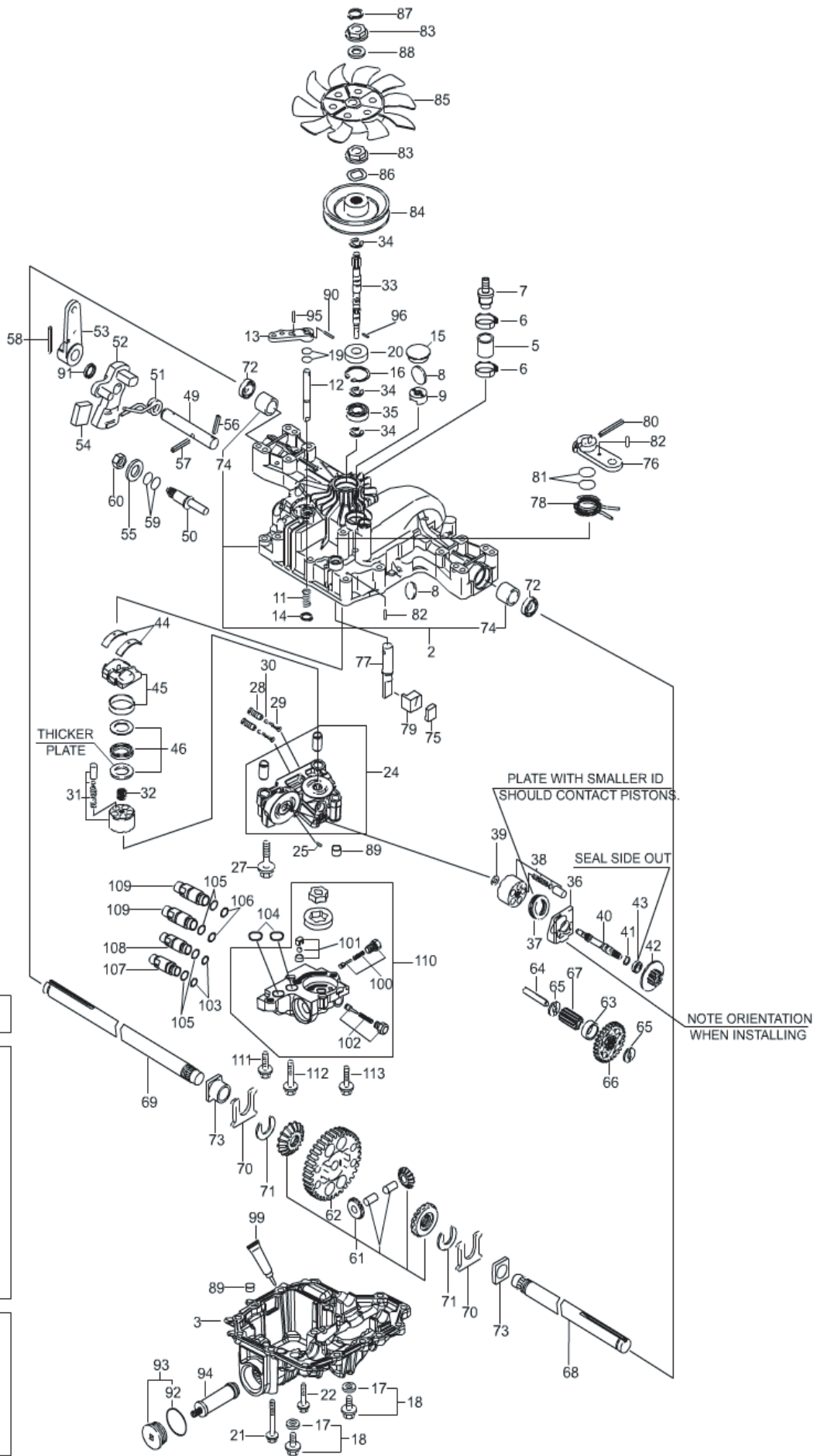
Kit Includes

- | | |
|---------------|-----|
| #24 | #38 |
| #31 | |
| #200-Seal Kit | |

All parts may not be used.

201-

Utgåva Issue 2007- 11		Bildnr Picture No 2219		KANZAKI TRANSAXEL K574B		KANZAKI TRANSAXLE K574B		Sida Page 376	
Pos. Fig.	Antal/Quantity				Art nr Part No	Benämning	Description	Sats Kit	Anmärkning Notes
	574B								
72	2			1139-1080-01	Tätning	Seal			
73	2			1139-1164-01	Bussning	Bushing.....			
74	2			1139-1414-01	• Bussning.....	• Bushing.....			
75	1			1139-1260-01	Bromssko.....	Brake shoe.....			
76	1			1139-1261-01	Bromsarm	Brake arm			
77	1			1139-1320-01	Bromsaxel	Brake shaft.....			
78	1			1139-1411-01	Returfjäder	Return spring.....			
79	1			1139-1264-01	Bromstryckare.....	Brake actuator.....			
80	1			1139-1282-01	Stift.....	Pin			
82	2			1139-1281-01	Stift.....	Pin			
83	2			1139-1248-01	Krage.....	Spline collar			
84	1			1139-1469-01	Remskiva.....	Pulley			
85	1			1134-4190-01	Fläkt.....	Fan			
86	1			1139-1266-01	Låsbricka.....	Lock washer.....			
87	1			1139-1149-01	Låsring	Snap ring			
88	1			1139-1276-01	Bricka	Collar			
89	4			1139-1166-01	Tapp.....	Pin			
90	1			1139-1280-01	Stift.....	Pin			
91	1			1139-1303-01	Tätningring	Oil seal			
92	1			1139-1290-01	• Packning.....	• Packing			
93	1			1139-1230-01	Lock.....	Cap.....		Inkl. pos 92	
94	1			1139-1186-01	Filter	Filter			
95	1			1139-1279-01	Stift.....	Pin			
96	1			1139-1452-01	Sprint.....	Pin			
99	1			1139-1443-01	Tätningmedel	Sealant			
101	1			1139-1234-01	• Ventil kpl.....	• Check assy			
102	1			1139-1463-01	• Ventil	• Valve			
107	1			1139-1459-01	Nippel	Piping.....			
108	1			1139-1460-01	Nippel	Piping.....			
X 110	1			1139-1483-01	Pumphus kpl	Pump case assy.....		Inkl. pos 101 - 102	
111	1			1139-1472-01	Bult.....	Bolt			
112	1			1139-1455-01	Skruv	Tapping screw.....			
113	1			1139-1471-01	Bult	Bolt			
X 200	1			1139-1481-01	Servicesats.....	Seal kit			



1- K574F Transmission

K574F Seal Kit

Kit Includes

- | | |
|-----|------|
| #19 | #92 |
| #20 | #94 |
| #23 | #99 |
| #30 | #103 |
| #59 | #104 |
| #72 | #105 |
| #81 | #106 |
| #91 | |

All parts may not be used.

K574F Repair Kit

Kit Includes

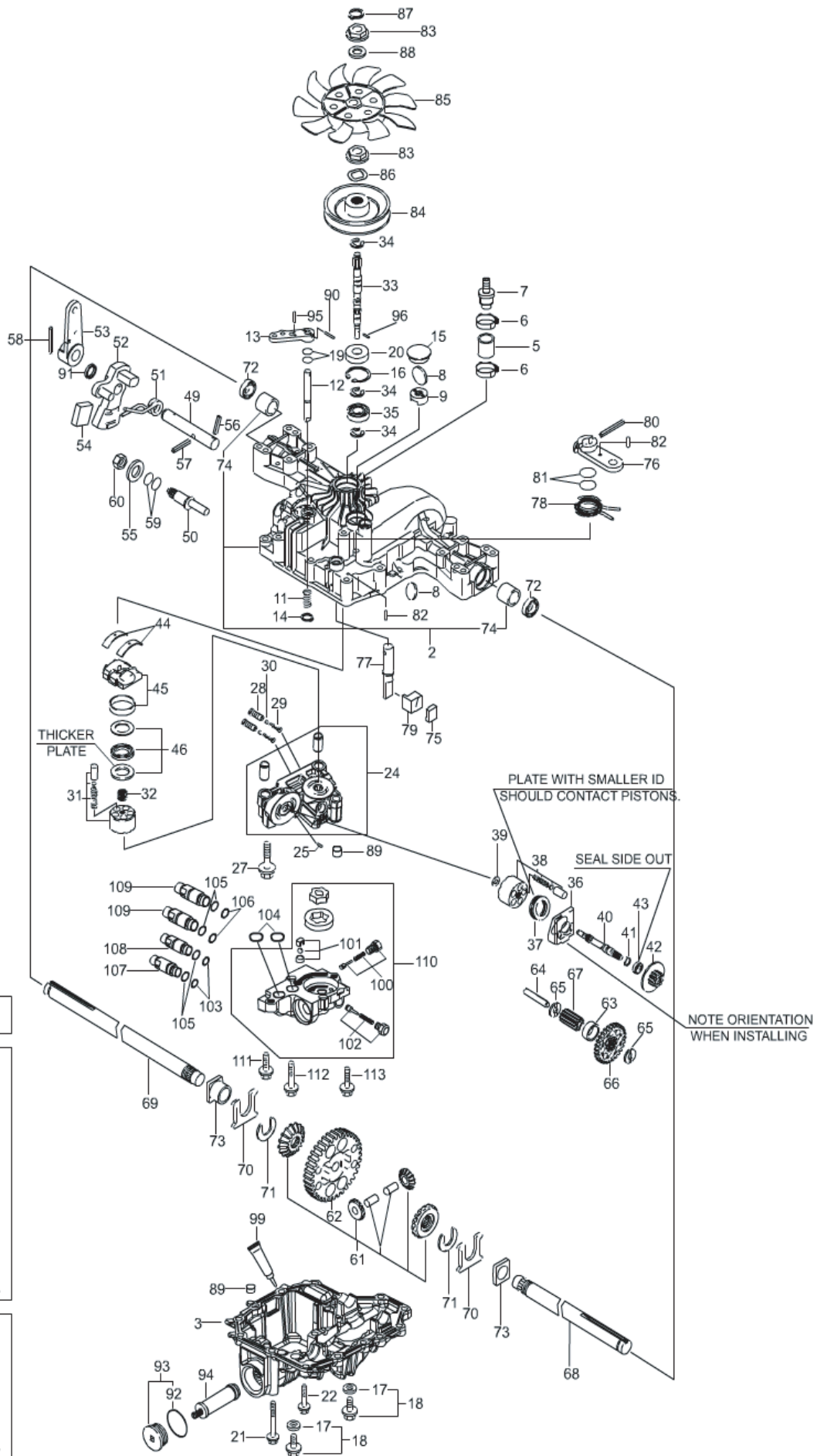
- | | |
|---------------|-----|
| #24 | #38 |
| #31 | |
| #200-Seal Kit | |

All parts may not be used.

200-

201-

Utgåva Issue 2007- 11		Bildnr Picture No 2220		KANZAKI TRANSAXEL K574F		KANZAKI TRANSAXLE K574F		Sida Page 378	
Pos. Fig.	Antal/Quantity				Art nr Part No	Benämning	Description	Sats Kit	Anmärkning Notes
	574F								
1	1				1134-6129-01	Transaxel kpl.....	Transaxle assy.....		Kanzaki K574F Inkl. pos 74 Inkl. pos 17
2	1				1139-1470-01	Hus- övre	Housing- upper		
3	1				1139-1456-01	Hus- nedre	Housing- lower		
5	1				1139-1301-01	Rör	Tube		
6	2				1139-1336-01	Slangklämma.....	Hose clamp		
7	1				1139-1306-01	Adapter.....	Adapter		
8	2				1139-1150-01	Magnet	Magnet		
9	1				1139-1341-01	Hållare- magnet	Holder- magnet		
11	1				1139-1347-01	Fjäder.....	Spring		
12	1				1139-1251-01	Axel- bypass	Shaft- bypass		
13	1				1139-1189-01	Arm- bypass	Lever- bypass		
14	1				1139-1161-01	Låsring	Ring		
15	1				1139-1275-01	Plugg.....	Bore plug		
16	1				1139-1104-01	Låsring	Snap ring		
17	2				1139-1103-01	• Tätningbricka	• Seal washer.....		
18	2				1139-1123-01	Bult	Bolt		
20	1				1139-1119-01	Tätning	Seal		
21	4				1139-1473-01	Bult.....	Bolt		
22	12				1139-0244-01	Skruv.....	Tapping screw.....		
24	1				1139-1465-01	Centrumhus.....	Center case		
25	1				1139-1158-01	Stift.....	Pin		
27	2				1139-1294-01	Bult.....	Bolt		
28	2				1139-1468-01	Ventil	IDS valve.....		
29	2				1139-1243-01	Fjäder.....	Spring		
30	2				1139-1307-01	Filter	Filter		
31	1				1139-1356-01	Cylinderblock kpl	Cylinder block assy		
32	1				1139-1245-01	Fjäder.....	Spring		
33	1				1139-1466-01	Pumpaxel.....	Pump shaft		
34	3				1139-1146-01	Låsring	Ring		
35	1				1139-1110-01	Kullager	Ball bearing		
36	1				1139-1458-01	Hus	Housing		
37	1				1139-1438-01	Lager	Bearing.....		
38	1				1139-1454-01	Cylinderblock.....	Cylinder block		
39	1				1139-1160-01	Bricka	Washer.....		
40	1				1139-1353-01	Motoraxel	Motor shaft		
41	1				1139-1021-01	Låsring	Snap ring		
42	1				1139-1272-01	Motordrev.....	Motor gear		
43	1				1139-1453-01	Lager	Bearing.....		
44	2				1139-1066-01	Tryckplatta	Metal thrust.....		
45	1				1139-1067-01	Stänkplatta kpl	Swash plate assy		
46	1				1139-1068-01	Lager	Bearing.....		
49	1				1139-1354-01	Regleraxel.....	Control shaft		
50	1				1139-1410-01	Excenter.....	Fulcrum.....		
51	1				1139-1312-01	Fjäder.....	Spring		
52	1				1139-1409-01	Reglerarm.....	Control arm.....		
53	1				1139-1325-01	Reglerarm.....	Control lever		
54	1				1139-1408-01	Ryckplatta.....	Jerky plate.....		
55	1				1139-1102-01	Bricka	Washer.....		
56	1				1139-1355-01	Saxpinne.....	Cotter pin		
57	1				1139-1329-01	Stift.....	Pin		
58	1				1139-1285-01	Stift.....	Pin		
60	1				1139-1127-01	Mutter.....	Nut		
61	1				1139-1404-01	Differentialdrev kpl	Differential gear kit.....		
62	1				1139-1258-01	Slutdrev	Final gear		
63	1				1139-1255-01	Hylsa	Collar		
64	1				1139-1256-01	Reduktionsaxel	Reduction shaft.....		
65	2				1139-1398-01	Bricka	Washer.....		
66	1				1139-1267-01	Reduktionsdrev	Reduction gear.....		
67	1				1139-1361-01	Slutdrev	Final pinion		
68	1				1139-1344-01	Hjulaxel- vä	Axle shaft- left		
69	1				1139-1345-01	Hjulaxel- hö	Axle shaft- right.....		
70	2				1139-1078-01	Tryckbricka	Thrust washer		
71	2				1139-1163-01	Låsring	Ring		



1- K574F Transmission

K574F Seal Kit

Kit Includes

- | | |
|-----|------|
| #19 | #92 |
| #20 | #94 |
| #23 | #99 |
| #30 | #103 |
| #59 | #104 |
| #72 | #105 |
| #81 | #106 |
| #91 | |

All parts may not be used.

K574F Repair Kit

Kit Includes

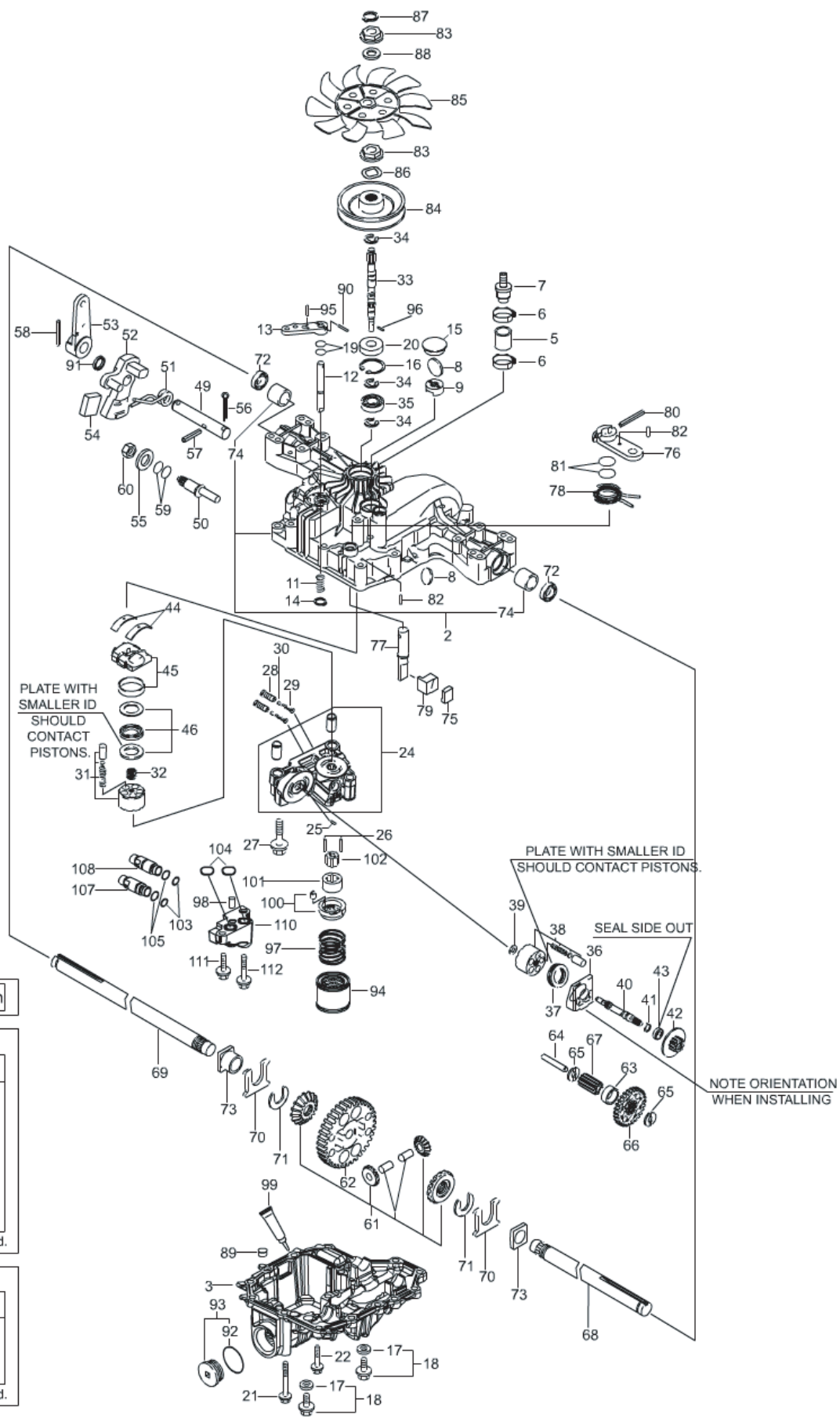
- | | |
|---------------|-----|
| #24 | #38 |
| #31 | |
| #200-Seal Kit | |

All parts may not be used.

200-

201-

Utgåva Issue 2007- 11		Bildnr Picture No 2220		KANZAKI TRANSAXEL K574F		KANZAKI TRANSAXLE K574F		Sida Page 380	
Pos. Fig.	Antal/Quantity				Art nr Part No	Benämning	Description	Sats Kit	Anmärkning Notes
	574F								
72	2				1139-1080-01	Tätning	Seal		
73	2				1139-1164-01	Bussning	Bushing.....		
74	2				1139-1414-01	• Bussning.....	• Bushing.....		
75	1				1139-1260-01	Bromssko.....	Brake shoe.....		
76	1				1139-1261-01	Bromsarm	Brake arm		
77	1				1139-1320-01	Bromsaxel	Brake shaft.....		
78	1				1139-1411-01	Returfjäder	Return spring.....		
79	1				1139-1264-01	Bromstryckare.....	Brake actuator.....		
80	1				1139-1282-01	Stift.....	Pin		
82	2				1139-1281-01	Stift.....	Pin		
83	2				1139-1248-01	Krage.....	Spline collar		
84	1				1139-1469-01	Remskiva.....	Pulley		
85	1				1134-4190-01	Fläkt.....	Fan		
86	1				1139-1266-01	Låsbricka.....	Lock washer.....		
87	1				1139-1149-01	Låsring	Snap ring		
88	1				1139-1276-01	Bricka	Collar		
89	4				1139-1166-01	Tapp.....	Pin		
90	1				1139-1280-01	Stift.....	Pin		
91	1				1139-1303-01	Tätningssring	Oil seal		
92	1				1139-1290-01	• Packning	• Packing		
93	1				1139-1230-01	Lock.....	Cap.....		Inkl. pos 92
94	1				1139-1186-01	Filter	Filter		
95	1				1139-1279-01	Stift.....	Pin		
96	1				1139-1452-01	Sprint.....	Pin		
99	1				1139-1443-01	Tätningssmedel	Sealant		
100	1				1139-1462-01	• Ventil	• Valve		
101	1				1139-1234-01	• Ventil kpl.....	• Check assy		
102	1				1139-1463-01	• Ventil	• Valve		
106	2				1139-1168-01	Packning.....	Packing		
107	1				1139-1459-01	Nippel	Piping.....		
108	1				1139-1460-01	Nippel	Piping.....		
109	2				1139-1464-01	Anslutning	Connector		
X 110	1				1139-1482-01	Pumphus kpl	Pump case assy.....		Inkl. pos 101 - 102
111	1				1139-1472-01	Bult	Bolt		
112	1				1139-1455-01	Skruv	Tapping screw.....		
113	1				1139-1471-01	Bult	Bolt		
X 200	1				1139-1481-01	Servicesats.....	Seal kit		



1- **K574G Transmission**

K574G Seal Kit

Kit Includes

#17	#91
#19	#92
#20	#94
#30	#99
#59	#103
#72	#104
#81	#105

All parts may not be used.

200-

K574G Repair Kit

Kit Includes

#24	#38
#31	

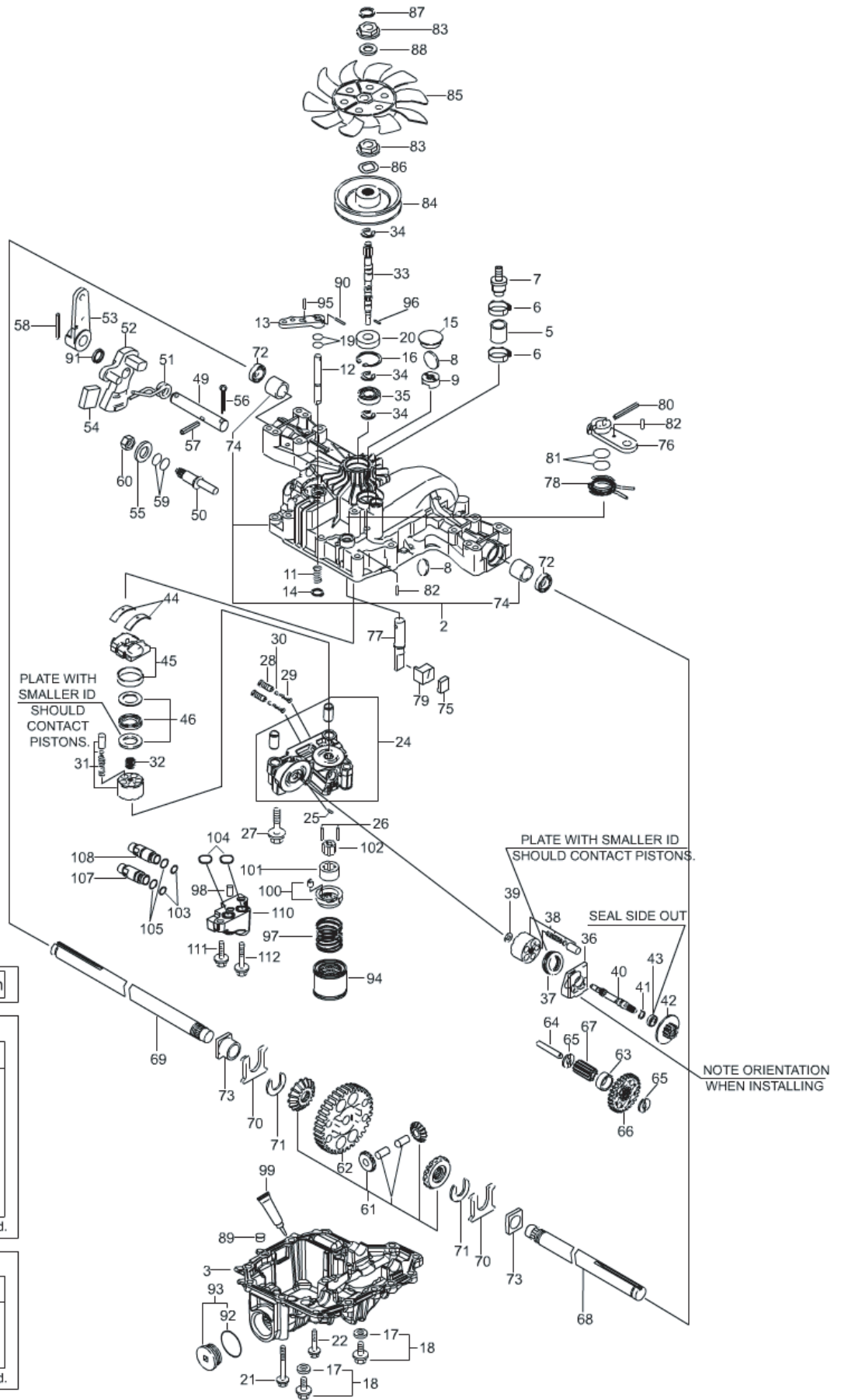
#200-Seal Kit

All parts may not be used.

201-



Utgåva Issue 2007- 11		Bildnr Picture No 2221		KANZAKI TRANSAXEL K574G		KANZAKI TRANSAXLE K574G		Sida Page 382	
Pos. Fig.	Antal/Quantity				Art nr Part No	Benämning	Description	Sats Kit	Anmärkning Notes
	574G								
X	1	1			1134-6394-01	Transaxel kpl.....	Transaxle assy.....		Kanzaki K574G Inkl. pos 74
	2	1			1139-1470-01	Hus- övre	Housing- upper		
	3	1			1139-1456-01	Hus- nedre	Housing- lower		
	5	1			1139-1301-01	Rör	Tube		
	6	2			1139-1336-01	Slangklämma.....	Hose clamp		
	7	1			1139-1306-01	Adapter.....	Adapter		
	8	2			1139-1150-01	Magnet	Magnet		
	9	1			1139-1341-01	Hållare- magnet	Holder- magnet		
	11	1			1139-1347-01	Fjäder.....	Spring		
	12	1			1139-1251-01	Axel- bypass	Shaft- bypass		
	13	1			1139-1189-01	Arm- bypass	Lever- bypass.....		
	14	1			1139-1161-01	Låsring	Ring		
	15	1			1139-1275-01	Plugg.....	Bore plug		
	16	1			1139-1104-01	Låsring	Snap ring		
	17	2			1139-1103-01	• Tätningbricka	• Seal washer.....		
	18	2			1139-1123-01	Bult	Bolt	Inkl. pos 17	
	20	1			1139-1119-01	Tätning	Seal		
	21	4			1139-1473-01	Bult.....	Bolt		
	22	12			1139-0244-01	Skruv.....	Tapping screw.....		
X	24	1			1139-1487-01	Centrumhus.....	Center case		
	25	1			1139-1158-01	Stift.....	Pin		
X	26	2			1139-1497-01	Stift.....	Pin		
	27	2			1139-1294-01	Bult.....	Bolt		
	28	2			1139-1468-01	Ventil	IDS valve.....		
	29	2			1139-1243-01	Fjäder.....	Spring		
	30	2			1139-1307-01	Filter	Filter		
	31	1			1139-1356-01	Cylinderblock kpl	Cylinder block assy		
	32	1			1139-1245-01	Fjäder.....	Spring		
X	33	1			1139-1493-01	Pumpaxel.....	Pump shaft		
	34	3			1139-1146-01	Låsring	Ring		
	35	1			1139-1110-01	Kullager	Ball bearing		
	36	1			1139-1458-01	Hus.....	Housing		
	37	1			1139-1438-01	Lager	Bearing.....		
	38	1			1139-1454-01	Cylinderblock.....	Cylinder block		
	39	1			1139-1160-01	Bricka	Washer.....		
	40	1			1139-1353-01	Motoraxel	Motor shaft		
	41	1			1139-1021-01	Låsring	Snap ring		
	42	1			1139-1272-01	Motordrev.....	Motor gear		
	43	1			1139-1453-01	Lager	Bearing.....		
	44	2			1139-1066-01	Tryckplatta	Metal thrust.....		
	45	1			1139-1067-01	Stänklatta kpl.....	Swash plate assy		
	46	1			1139-1068-01	Lager	Bearing.....		
	49	1			1139-1354-01	Regleraxel.....	Control shaft		
	50	1			1139-1410-01	Excenter.....	Fulcrum.....		
	51	1			1139-1312-01	Fjäder.....	Spring		
	52	1			1139-1409-01	Reglerarm.....	Control arm		
	53	1			1139-1325-01	Reglerarm.....	Control lever		
	54	1			1139-1408-01	Ryckplatta.....	Jerky plate.....		
	55	1			1139-1102-01	Bricka	Washer.....		
	56	1			1139-1355-01	Saxpinne.....	Cotter pin		
	57	1			1139-1329-01	Stift.....	Pin		
	58	1			1139-1285-01	Stift.....	Pin		
	60	1			1139-1127-01	Mutter.....	Nut		
	61	1			1139-1404-01	Differentialdrev kpl	Differential gear kit.....		
	62	1			1139-1258-01	Slutdrev	Final gear		
	63	1			1139-1255-01	Hylsa	Collar		
	64	1			1139-1256-01	Reduktionsaxel	Reduction shaft.....		
	65	2			1139-1398-01	Bricka	Washer.....		
	66	1			1139-1267-01	Reduktionsdrev	Reduction gear.....		
	67	1			1139-1361-01	Slutdrev	Final pinion		
	68	1			1139-1344-01	Hjulaxel- vä	Axle shaft- left		
	69	1			1139-1345-01	Hjulaxel- hö	Axle shaft- right.....		
	70	2			1139-1078-01	Tryckbricka	Thrust washer		



1- K574G Transmission

K574G Seal Kit

Kit Includes

- | | |
|-----|------|
| #17 | #91 |
| #19 | #92 |
| #20 | #94 |
| #30 | #99 |
| #59 | #103 |
| #72 | #104 |
| #81 | #105 |

All parts may not be used.

200-

K574G Repair Kit

Kit Includes

- | | |
|---------------|-----|
| #24 | #38 |
| #31 | |
| #200-Seal Kit | |

All parts may not be used.

201-



Utgåva Issue 2007- 11		Bildnr Picture No 2221		KANZAKI TRANSAXEL K574G		KANZAKI TRANSAXLE K574G		Sida Page 384	
Pos. Fig.	Antal/Quantity				Art nr Part No	Benämning	Description	Sats Kit	Anmärkning Notes
	574G								
	71	2			1139-1163-01	Låsring	Ring		
	72	2			1139-1080-01	Tätning	Seal		
	73	2			1139-1164-01	Bussning	Bushing		
	74	2			1139-1414-01	• Bussning	• Bushing		
	75	1			1139-1260-01	Bromssko	Brake shoe		
	76	1			1139-1261-01	Bromsarm	Brake arm		
	77	1			1139-1320-01	Bromsaxel	Brake shaft		
	78	1			1139-1411-01	Returfjäder	Return spring		
	79	1			1139-1264-01	Bromstryckare	Brake actuator		
	80	1			1139-1282-01	Stift	Pin		
	82	2			1139-1281-01	Stift	Pin		
	83	2			1139-1248-01	Krage	Spline collar		
	84	1			1139-1469-01	Remskiva	Pulley		
	85	1			1134-4190-01	Fläkt	Fan		
	86	1			1139-1266-01	Låsbricka	Lock washer		
	87	1			1139-1149-01	Låsring	Snap ring		
	88	1			1139-1276-01	Bricka	Collar		
	89	4			1139-1166-01	Tapp	Pin		
	90	1			1139-1280-01	Stift	Pin		
	91	1			1139-1303-01	Tätningssring	Oil seal		
	92	1			1139-1290-01	• Packning	• Packing		
	93	1			1139-1230-01	Lock	Cap		Inkl. pos 92
X	94	1			1139-1488-01	Filter	Filter		
	95	1			1139-1279-01	Stift	Pin		
X	96	1			1139-1495-01	Sprint	Pin		
X	97	1			1139-1492-01	Fjäder	Charge spring		
X	98	1			1139-1496-01	Pinne	Parallell pin		
	99	1			1139-1443-01	Tätningssmedel	Sealant		
X	100	1			1139-1494-01	Pumphus	Pump case kit		
X	101	1			1139-1490-01	Rotor- yttre	Rotor- outer		
X	102	1			1139-1489-01	Rotor- inre	Rotor- inner		
	105	2			1139-0239-01	Packning	Packing		
	107	1			1139-1459-01	Nippel	Piping		
	108	1			1139-1460-01	Nippel	Piping		
X	110	1			1139-1491-01	Pumphus	Charge pump case		
	111	1			1139-1472-01	Bult	Bolt		
	112	1			1139-1455-01	Skruv	Tapping screw		
	113	1			1139-1471-01	Bult	Bolt		
X	200	1			1139-1481-01	Servicesats	Seal kit		