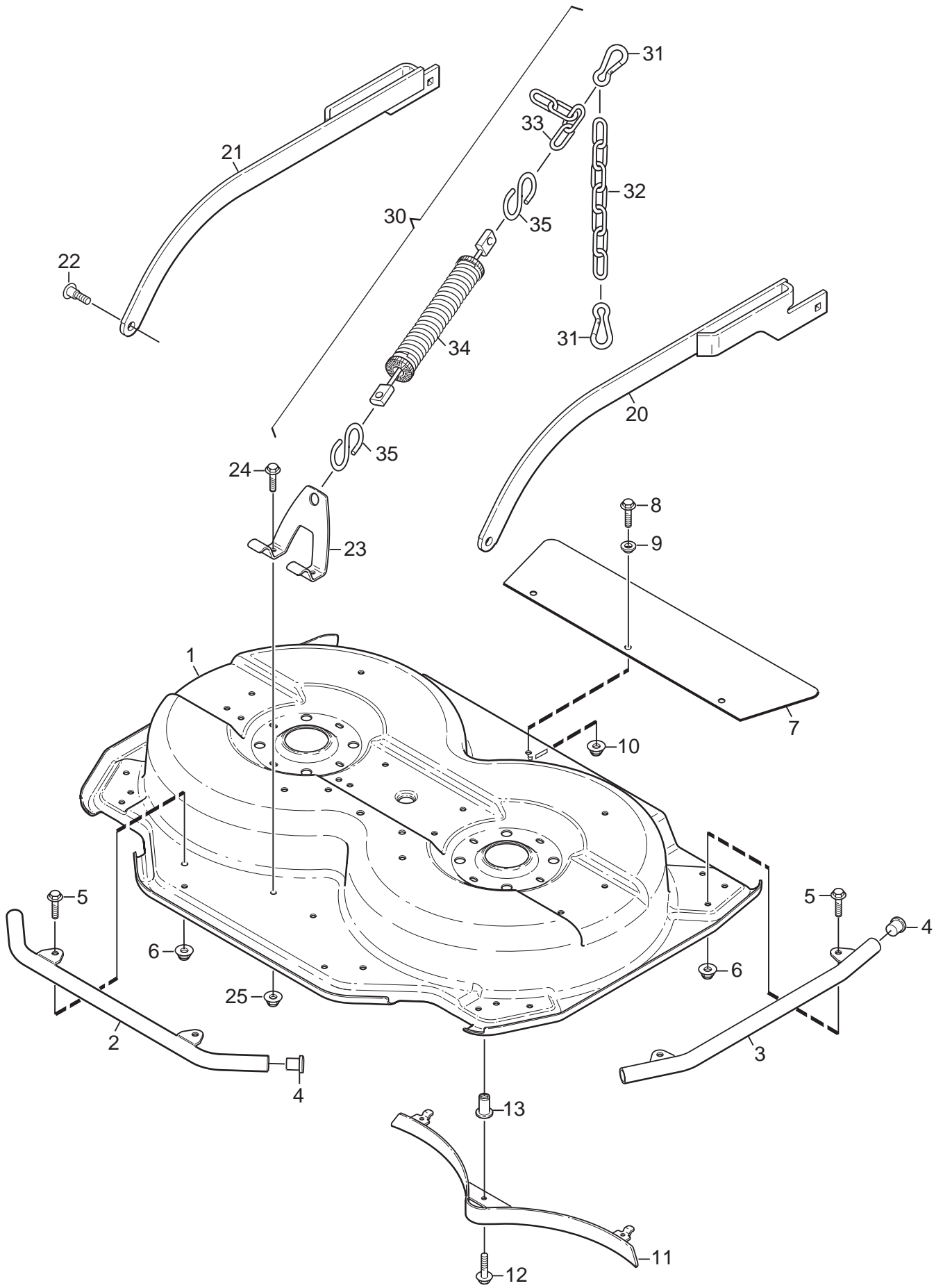
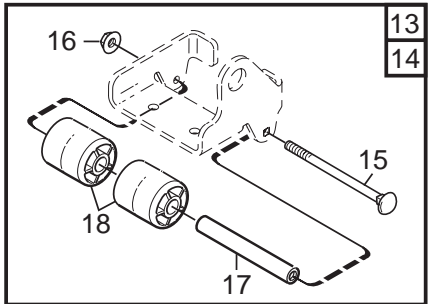
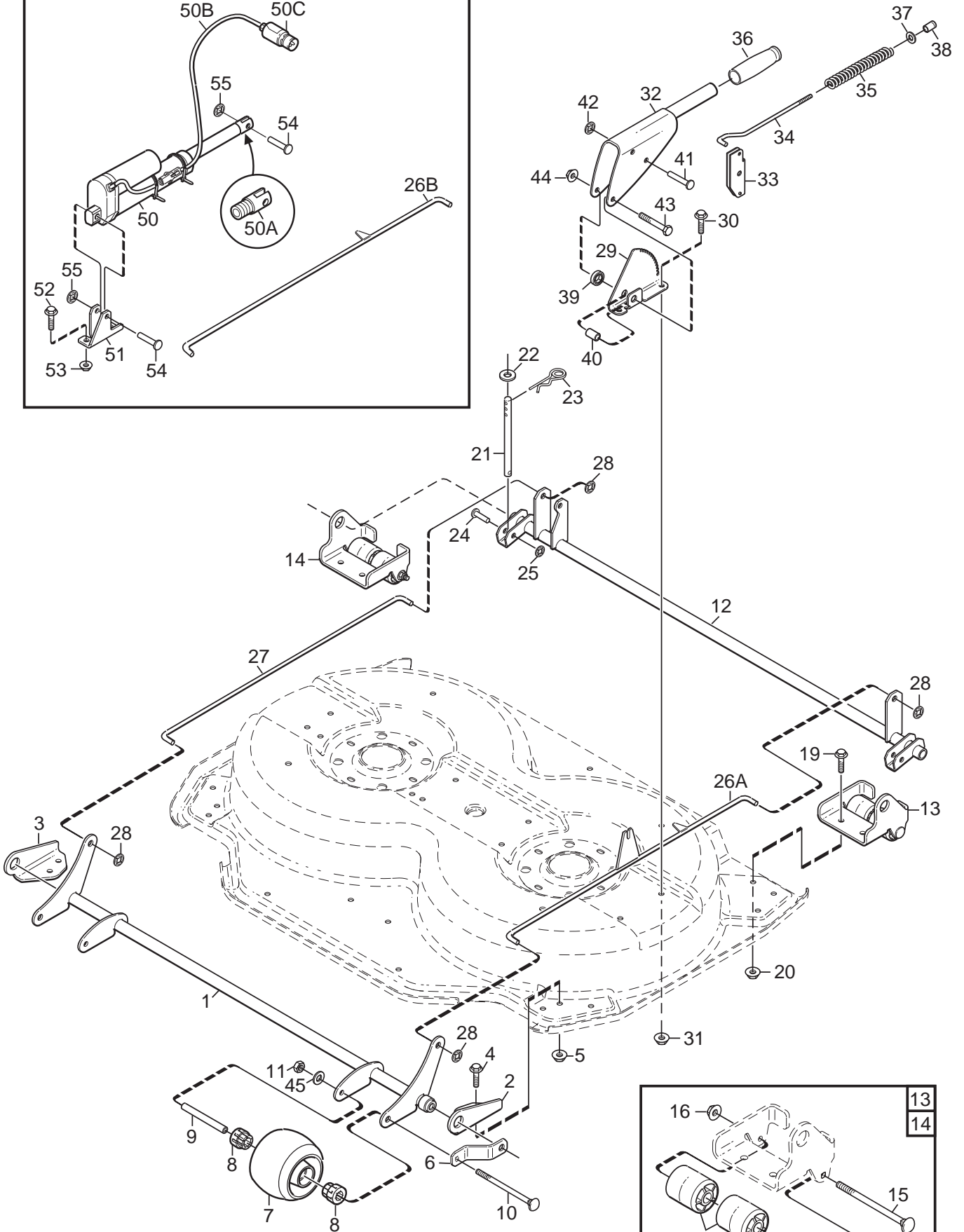
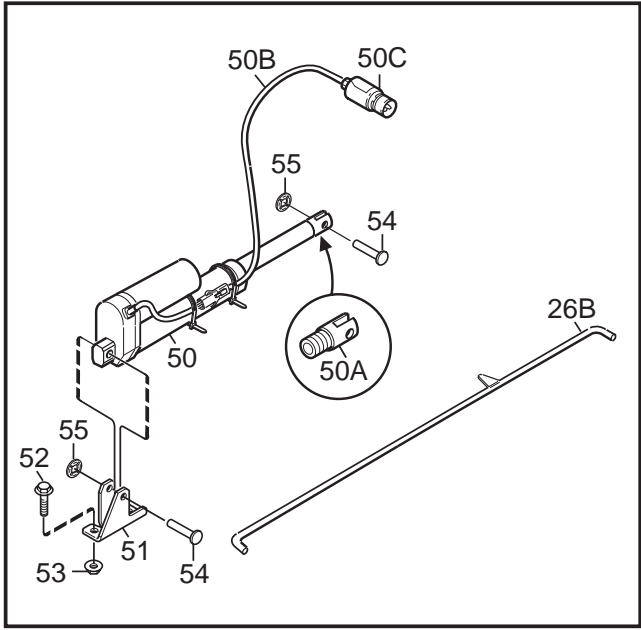


Genuine Spare Parts

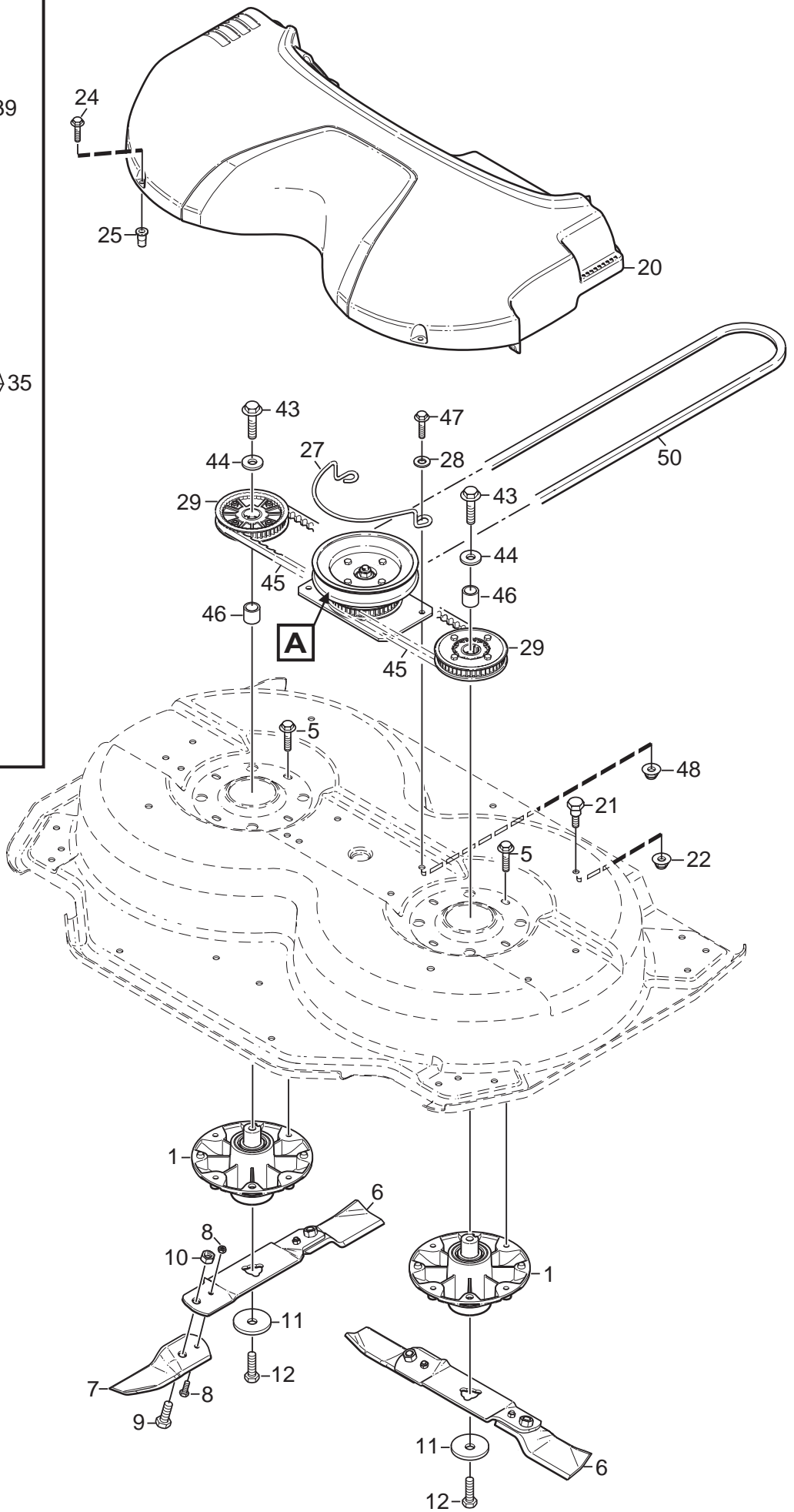
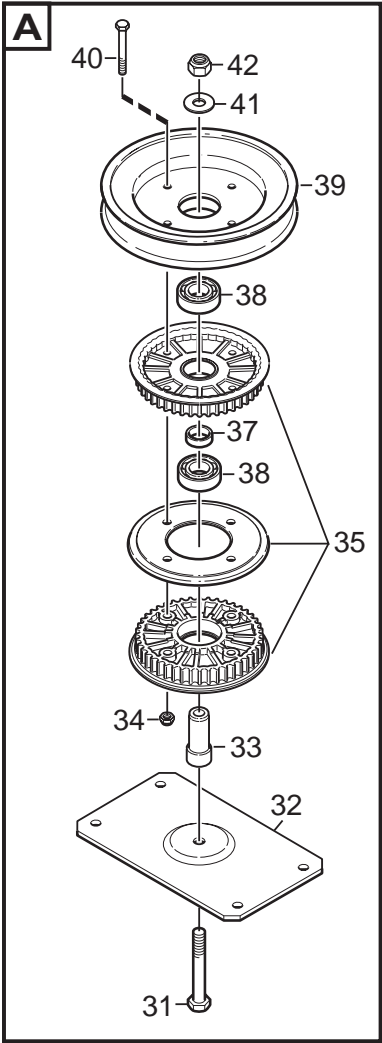




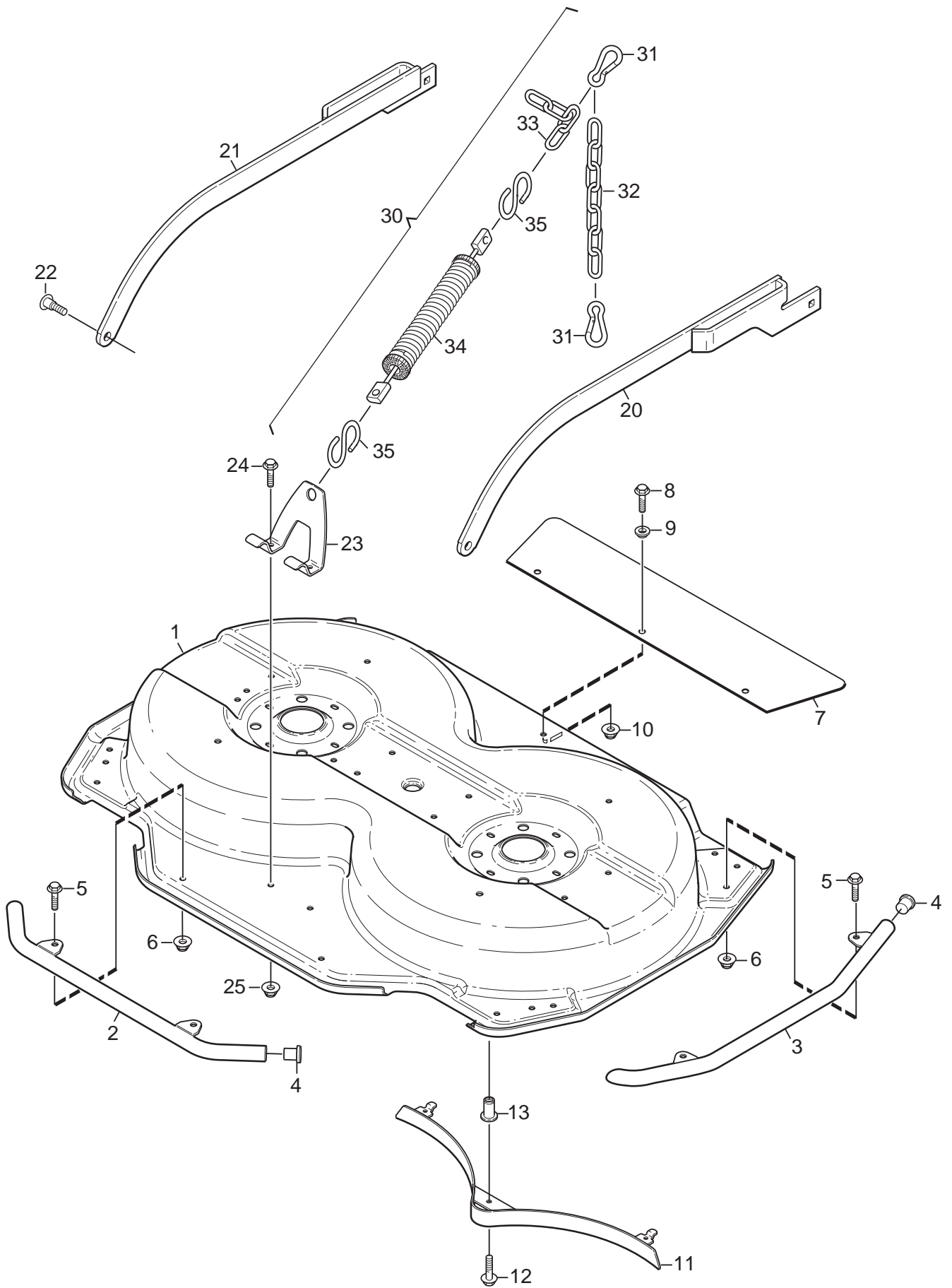
Utgåva Issue 2007- 11		Bildnr Picture No 2214		PARK KLIPPAGGREGAT 95 COMBI RAM		PARK MOWER DECK 95 COMBI FRAME		Sida Page 160	
Pos. Fig.	Antal/Quantity				Art nr Part No	Benämning	Description	Sats Kit	Anmärkning Notes
	2964	2966	2967						
X	1	1			1134-6190-01	Kåpa- gul	Casing- yellow		Inkl. pos 13 (3 st)
X	2	1			1134-6208-01	Frontskydd- grå	Front guard tube- grey		
X	3	2			1134-6222-01	Sidoskydd- grå	Side guard tube- grey		
X	4	6			9403-0025-80	Ändplugg- grå	End cap- grey		
	5	6			9959-0816-16	Skruv	Screw		
	6	6			9739-0831-22	Mutter	Nut		
X	7	1			1134-6281-02	Gummiskydd	Rubber guard		
	8	3			9959-0816-16	Skruv	Screw		
	9	3			1134-4185-01	Ansatsbricka	Flange washer		
	10	3			9739-0831-22	Mutter	Nut		
X	11	1			1134-6229-01	Kombiplugg	Mulching plug		
	12	1			9959-0816-16	Skruv	Screw		
	13	1			1134-5595-01	• Nitmutter	• Riveting nut		
X	20	1			1134-6237-03	Aggregatsarm- vä, grå	Deck arm- LH, grey		
X	21	1			1134-6237-04	Aggregatsarm- hö, grå	Deck arm- RH, grey		
X	22	2			1134-6279-01	Ansatsskruv	Shoulder bolt		
X	23	1			1134-6315-01	Lyftfäste- grå	Lift bracket- grey		
	24	2			9959-0816-16	Skruv	Screw		
	25	2			9739-0831-22	Mutter	Nut		
X	30	1			1134-6362-01	Lyftfjäder kpl	Lift spring assy	Inkl. pos 31 - 35	
	31	2			1134-5528-01	• Karbinhake	• Snap hook		
X	32	1			1134-6368-02	• Kedja	• Chain	7 links	
X	33	1			1134-6368-01	• Kedja	• Chain	4 links	
X	34	1			1134-6365-03	• Lyftfjäder	• Lift spring		
X	35	2			1134-4623-01	• S- krok	• S- hook		
X	99	1			8211-7000-70	Bruksanvisning	Owner's manual	Ej ill/not ill.	
X	99	1			8211-7003-70	Tillägg- bruksanv	Addendum- manual	Ej ill/not ill.	



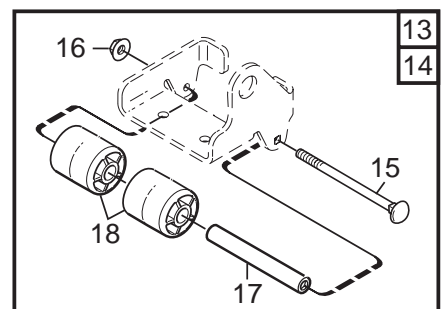
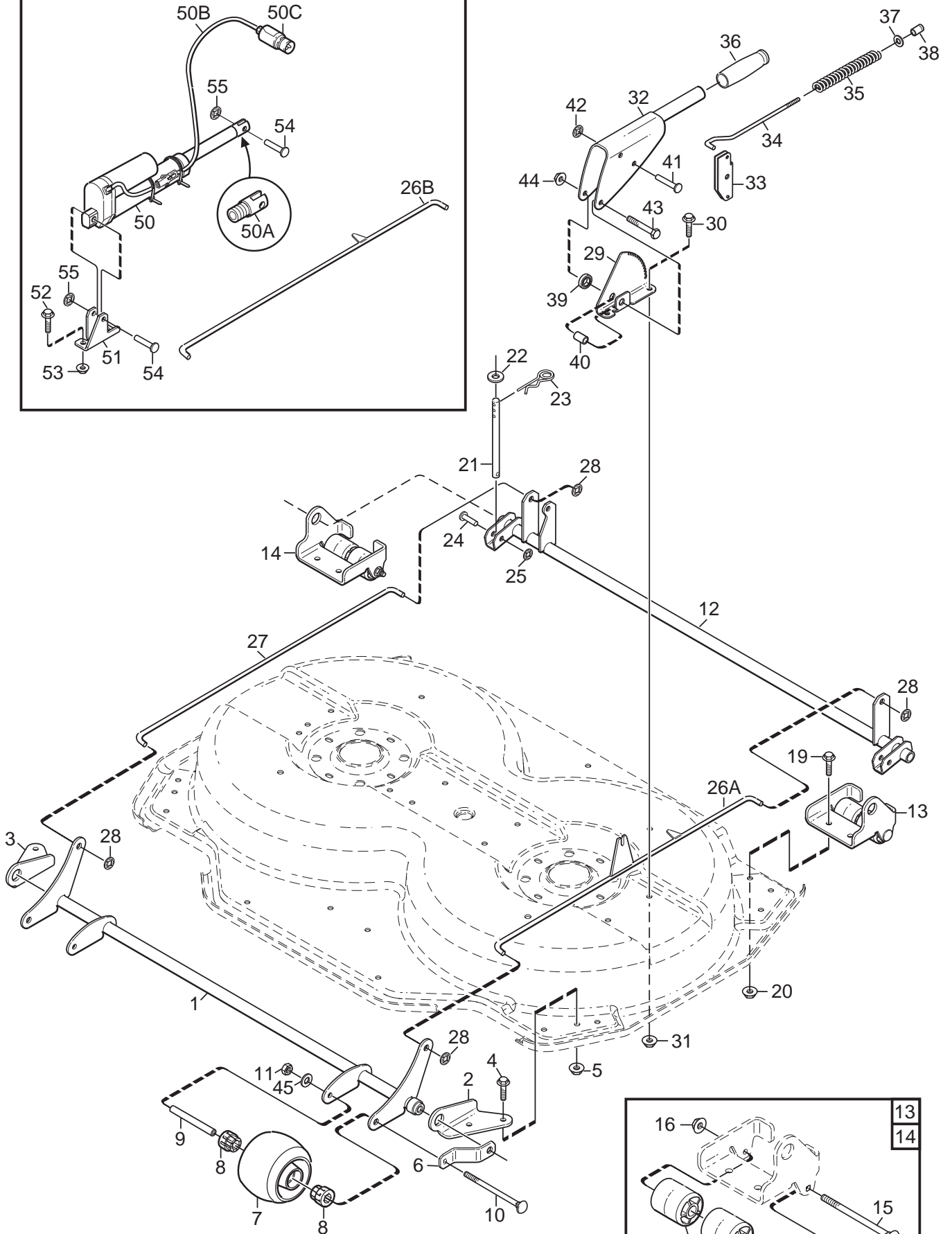
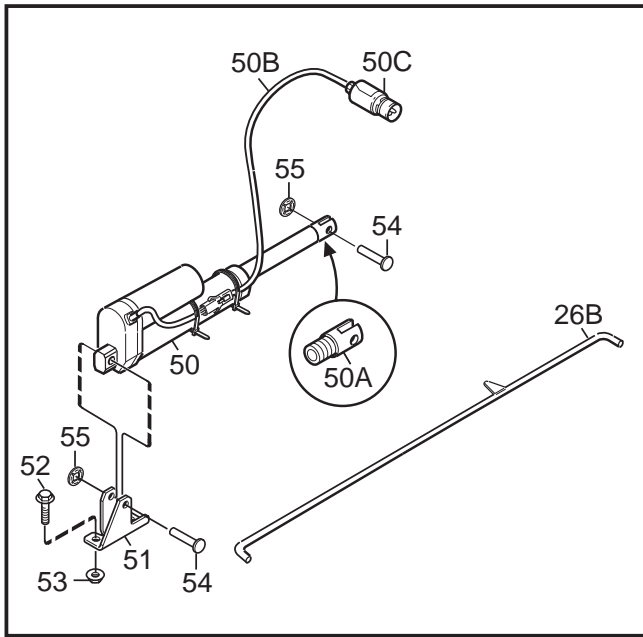
Utgåva Issue 2007- 11		Bildnr Picture No 2132		PARK KLIPPAGGREGAT 95 COMBI REGLAGE		PARK MOWER DECK 95 COMBI CONTROLS		Sida Page 162	
Pos. Fig.	Antal/Quantity			Art nr Part No	Benämning	Description	Sats Kit	Anmärkning Notes	
	2964 -11 2964 -31	2966 -11 2967 -31							
X	1	1	1		1134-6275-01 Framaxel- gul	Front axle- yellow			
X	2	1	1		1134-6214-01 Fäste fram- vä, gul	Bracket fr- LH, yellow			
X	3	1	1		1134-6214-02 Fäste fram- hö, gul	Bracket fr- RH, yellow			
	4	4	4		9959-0816-16 Skruv	Screw			
	5	4	4		9739-0831-22 Mutter	Nut			
X	6	2	2		1134-6278-01 Avbärare- grå	Guide- grey			
	7	2	2		1134-4284-01 Hjul	Wheel			
	8	4	4		1134-4319-01 Lager	Bearing			
	9	2	2		1134-4318-01 Hylsa	Wheel axle			
X	10	2	2		9897-0813-02 Skruv	Screw			
	11	2	2		9747-0831-02 Mutter	Lock nut			
X	12	1	1		1134-6197-01 Bakaxel- gul	Rear axle- yellow			
X	13	1	1		1134-6282-01 Rulle- vä, m- fäste	Roller- LH, w/bracket		Inkl. pos 15 - 18	
X	14	1	1		1134-6282-02 Rulle- hö, m- fäste	Roller- RH, w/bracket		Inkl. pos 15 - 18	
X	15	1	1		9897-0813-02 • Skruv	• Screw			
	16	1	1		9739-0831-22 • Mutter	• Nut			
	17	1	1		1134-4318-01 • Hylsa	• Wheel axle			
X	18	1	1		1134-9126-01 • Rulle	• Roller		Sats 2 st/kit of 2	
	19	4	4		9959-0816-16 Skruv	Screw			
	20	4	4		9739-0831-22 Mutter	Nut			
X	21	2	2		1134-6198-01 Pinne	Stud			
	22	2	2		9699-0104-02 Bricka	Washer			
	23	2	2		9598-2001-02 Låsnål	Spring pin			
X	24	2	2		9646-0098-22 Nit	Rivet			
	25	2	2		9675-0012-02 Starlock	Locking washer			
X	26A	1			1134-6249-02 Tryckstång- vä	Push rod- LH			
X	26B		1		1134-6250-02 Tryckstång- vä	Push rod- LH			
X	27	1	1		1134-6246-02 Tryckstång- hö	Push rod- RH			
	28	4	4		9675-0015-02 Starlock	Lock washer			
X	29	1			1134-6255-01 Höjdinst.segment	Height adj. quadrant			
	30	2			9959-0816-16 Skruv	Screw			
	31	2			9739-0831-22 Mutter	Nut			
X	32	1			1134-6244-01 Höjdinst.spak- grå	Height adj.lever- grey			
X	33	1			1134-6254-01 Spärr	Catch			
	34	1			1134-5444-01 Tryckstång	Push rod			
	35	1			1134-5445-01 Fjäder	Spring			
	36	1			1134-5503-01 Handtag	Handle			
	37	1			9699-0087-02 Planbricka	Flat washer			
	38	1			1134-3051-01 Spärrknapp	Locking knob			
X	39	1			1134-6286-03 Distans	Spacer			
X	40	1			1134-1565-16 Distans	Spacer			
X	41	2			9646-0105-22 Nit	Rivet			
	42	2			9672-0006-02 Starlock	Lock washer			
	43	1			9997-0850-16 Skruv	Screw			
	44	1			9739-0831-22 Mutter	Nut			
	45	2	2		9699-0028-02 Planbricka	Flat washer			
X	50		1		1134-6417-01 Ställdon	Actuator			
X	50A		1		1134-6373-01 • Kolvstångsända	• Rod end			
X	50B		1		1134-6418-02 • Kabel	• Cable			
X	50C		1		1134-6182-01 • • Hankontakt	• • Male terminal			
X	51		1		1134-6192-01 Fäste	Bracket			
	52		2		9959-0816-16 Skruv	Screw			
	53		2		9739-0831-22 Mutter	Nut			
X	54		2		9646-0098-22 Nit	Rivet			
	55		2		9675-0012-02 Starlock	Locking washer			



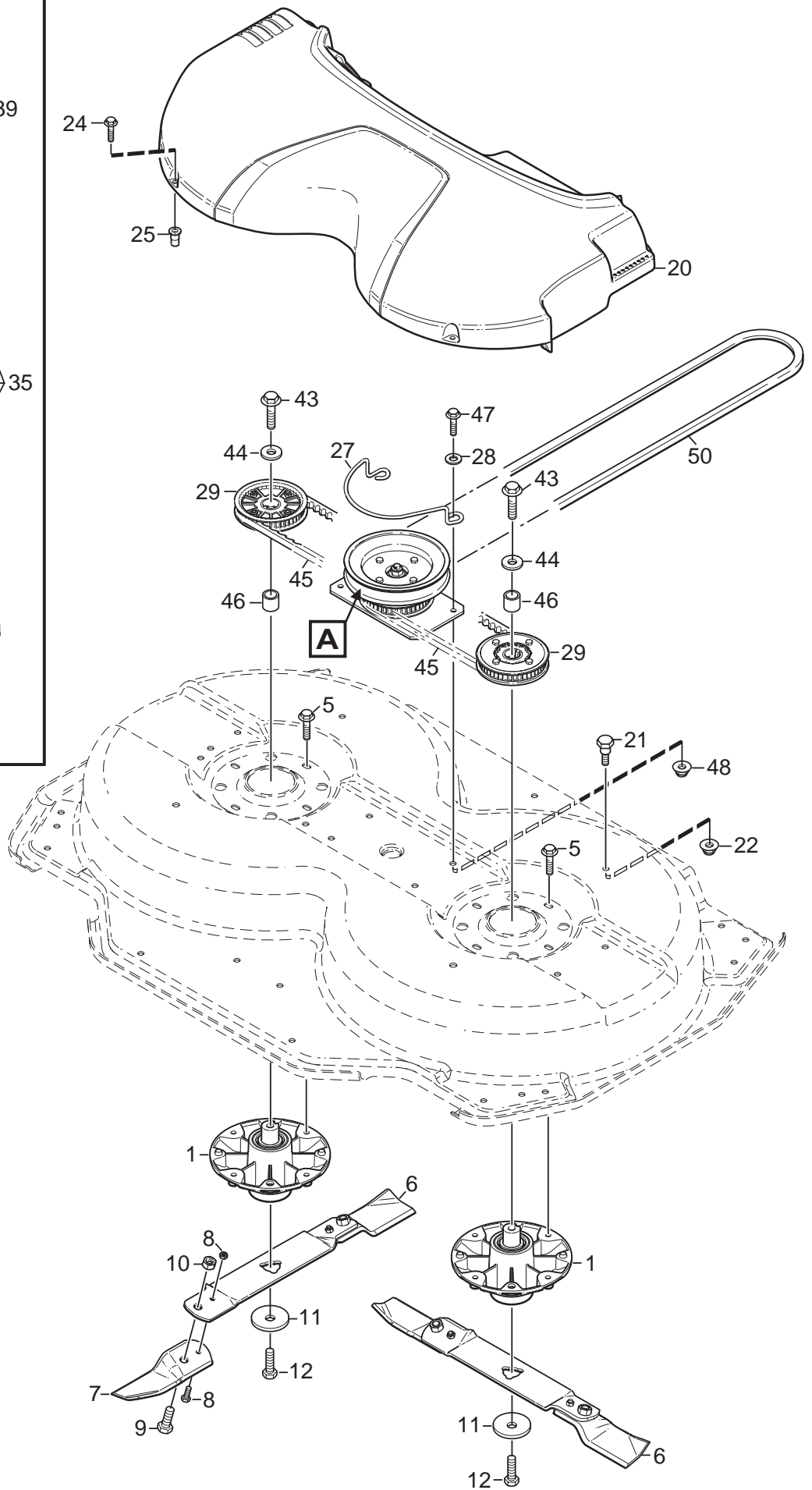
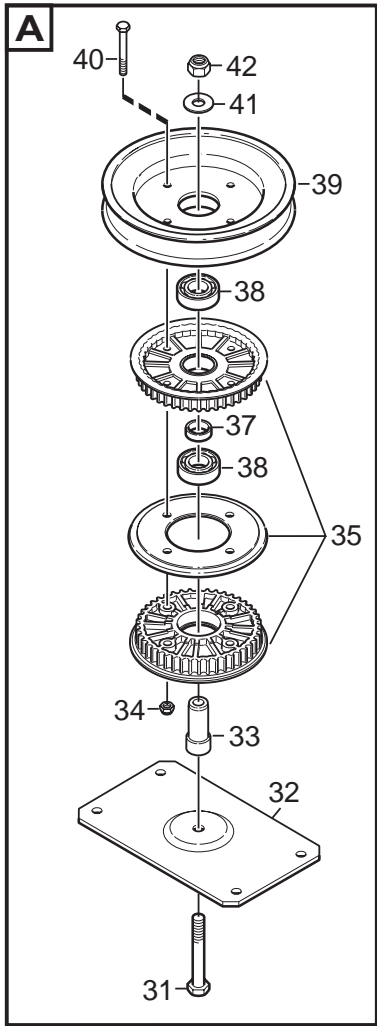
Utgåva Issue 2007- 11		Bildnr Picture No 2134		PARK KLIPPAGGREGAT 95 COMBI TRANSMISSION		PARK MOWER DECK 95 COMBI TRANSMISSION		Sida Page 164	
Pos. Fig.	Antal/Quantity			Art nr Part No	Benämning	Description	Sats Kit	Anmärkning Notes	
	2964 -11 2966 -11	2964 -31 2967 -31							
X	1	2	2	1134-5831-01	Lagerbox kpl.....	Bearing box assy.....			
	5	8	8	9945-0825-16	Skruv.....	Screw.....			
X	6	1	1	1134-9117-01	Knivbalk kpl.....	Blade bar assy.....		Sats 2 st/kit of 2	
X	7	1	1	1134-9119-01	• Knivsats kpl.....	• Blade kit.....		2 knivar/2 blade tips	
	8	1	1	1134-9054-01	•• Brytbultsats.....	•• Shear bolt kit.....			
X	9	2	2	1134-6311-01	•• Bult.....	•• Bolt.....		7/16" UNF	
X	10	2	2	1134-6312-01	•• Låsmutter.....	•• Lock nut.....		7/16" UNF	
X	11	2	2	1134-6211-01	Knivbricka.....	Blade washer.....			
	12	2	2	9997-1060-12	Skruv.....	Screw.....			
X	20	1	1	1134-6280-01	Transm.kåpa- grå.....	Transm.cover- grey.....			
	21	2	2	1134-0240-00	Ansattsskruv.....	Shoulder screw.....			
	22	2	2	9739-0831-22	Mutter.....	Nut.....			
	24	2	2	9945-0816-16	Skruv.....	Screw.....			
	25	2	2	1134-5595-01	Nitmutter.....	Riveting nut.....			
X	27	1	1	1134-6431-01	Remstyrning.....	Belt guide.....			
	28	2	2	9699-0090-02	Planbricka.....	Flat washer.....			
X	29	1	1	1134-9127-01	Kuggremskiva m.nav.....	Belt pulley w/hub.....		Sats 2 st/kit of 2	
	31	1	1	9997-1065-12	Skruv.....	Screw.....			
X	32	1	1	1134-6209-01	Fästplåt.....	Bracket.....			
X	33	1	1	1134-6205-01	Tapp.....	Shaft.....			
	34	4	4	9747-0631-02	Låsmutter.....	Lock nut.....			
X	35	1	1	1134-9128-01	Kuggremskiva u.nav.....	Belt pulley w/o hub.....			
X	37	1	1	1134-3725-05	Distans.....	Spacer.....			
	38	2	2	9549-0019-00	Kullager.....	Ball bearing.....			
X	39	1	1	1134-6203-01	Remskiva.....	Belt pulley.....		Ø = 154 mm	
	40	4	4	9997-0650-12	Skruv.....	Screw.....			
	41	1	1	9699-0030-02	Planbricka.....	Flat washer.....			
	42	1	1	9747-1031-02	Låsmutter.....	Lock nut.....			
	43	2	2	9997-1060-12	Skruv.....	Screw.....			
	44	2	2	1134-5406-01	Bricka.....	Washer.....			
X	45	2	2	9585-0164-01	Kuggrem.....	Toothed belt.....			
X	46	2	2	1134-5400-04	Distans.....	Spacer.....			
	47	4	4	9959-0820-16	Skruv.....	Screw.....			
	48	4	4	9739-0831-22	Mutter.....	Nut.....			
X	50		1	1134-9112-01	Drivrem.....	V- belt.....		= 9585-0171-01	
X	50	1		1134-9114-01	Drivrem.....	V- belt.....		= 9585-0169-01	



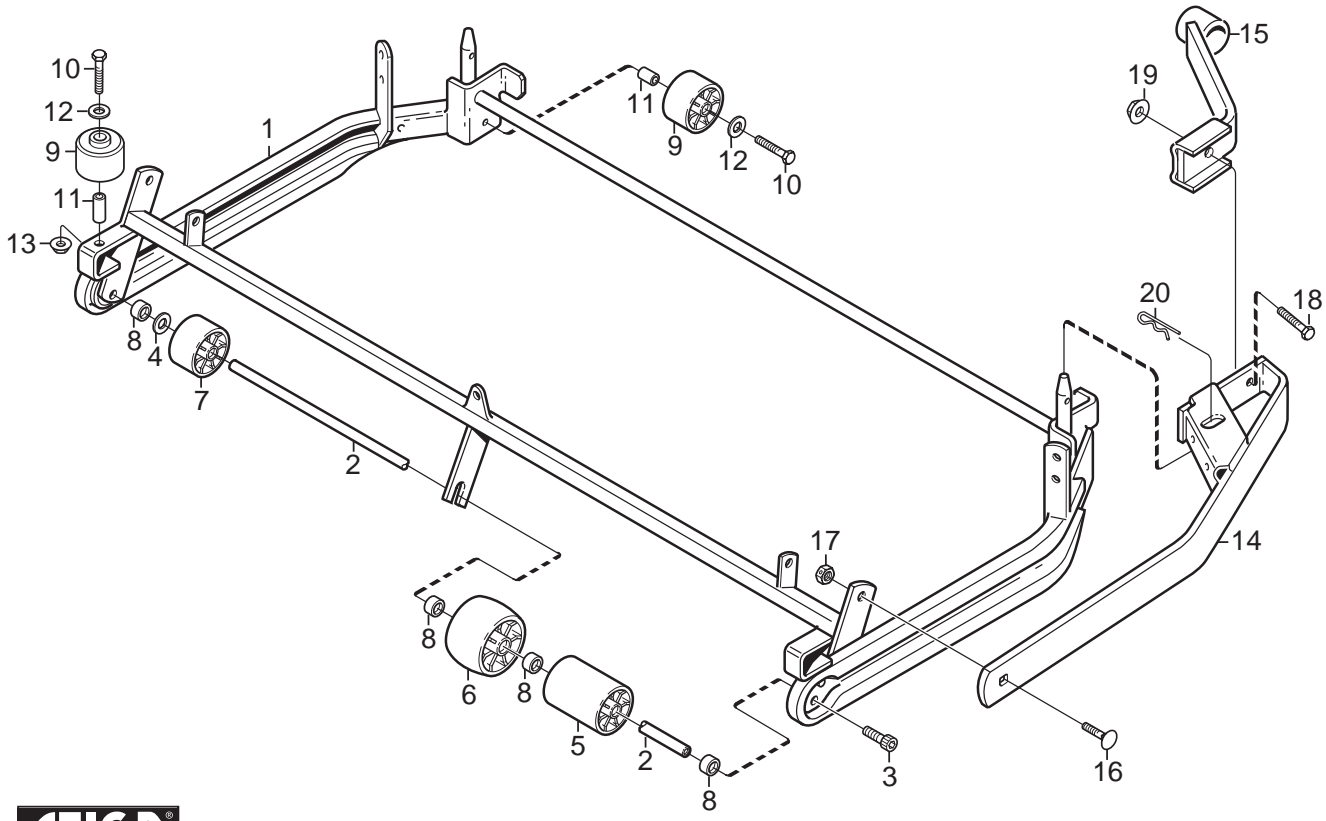
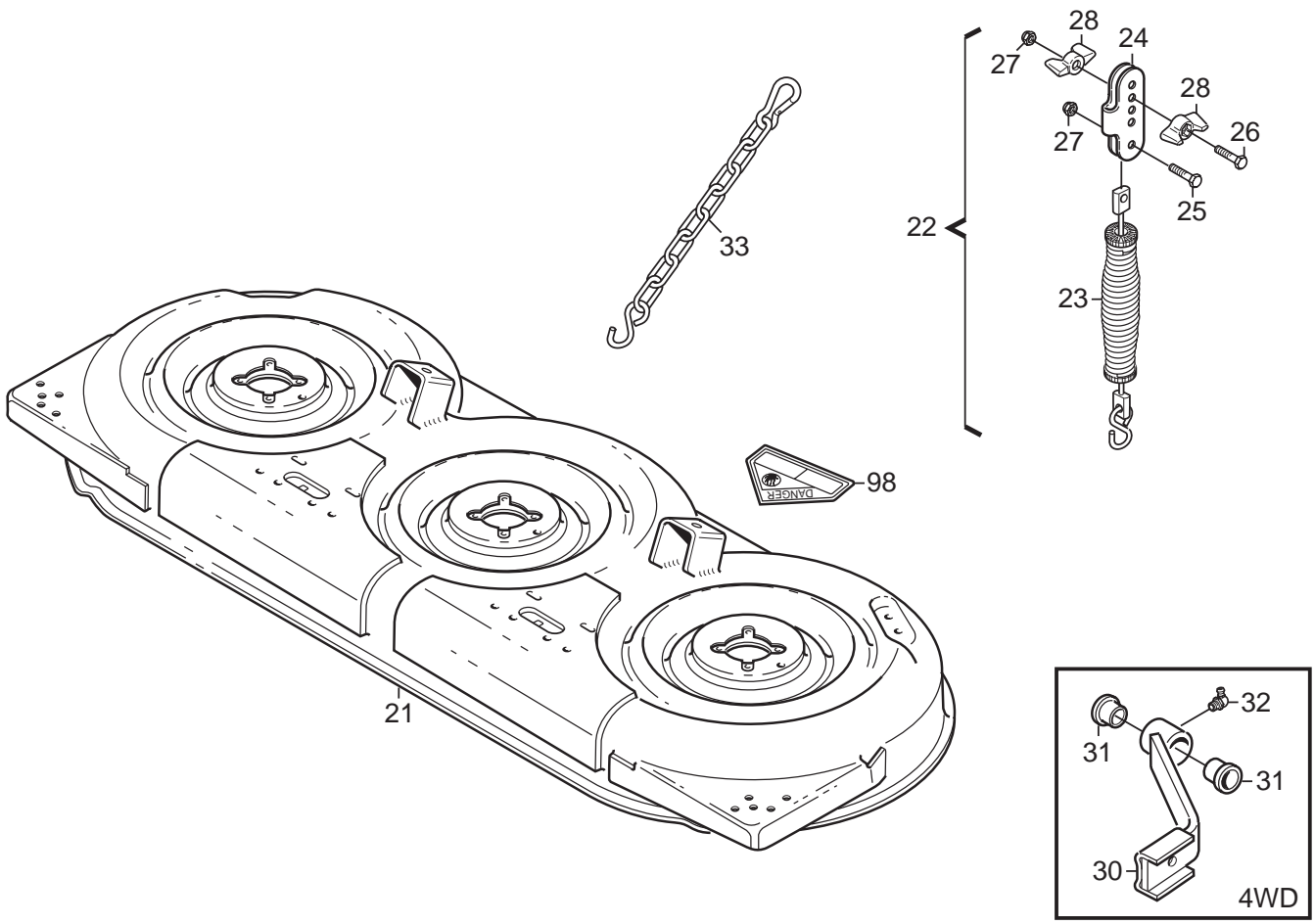
Utgåva Issue 2007- 11		Bildnr Picture No 2135		PARK KLIPPAGGREGAT 105 COMBI RAM		PARK MOWER DECK 105 COMBI FRAME		Sida Page 166	
Pos. Fig.	Antal/Quantity				Art nr Part No	Benämning	Description	Sats Kit	Anmärkning Notes
	2972	2974							
X	1	1			1134-6191-01	Kåpa- gul	Casing- yellow		Inkl. pos 13 (3 st)
X	2	1			1134-6208-01	Frontskydd- grå	Front guard tube- grey		
X	3	2			1134-6223-01	Sidoskydd- grå	Side guard tube- grey		
X	4	6			9403-0025-80	Ändplugg- grå	End cap- grey		
	5	6			9959-0816-16	Skruv	Screw		
	6	6			9739-0831-22	Mutter	Nut		
X	7	1			1134-6281-03	Gummiskydd	Rubber guard		
	8	3			9959-0816-16	Skruv	Screw		
	9	3			1134-4185-01	Ansatsbricka	Flange washer		
	10	3			9739-0831-22	Mutter	Nut		
X	11	1			1134-6231-01	Kombiplugg	Mulching plug		
	12	1			9959-0816-16	Skruv	Screw		
	13	1			1134-5595-01	• Nitmutter	• Riveting nut		
X	20	1			1134-6237-01	Aggregatsarm- vä, grå	Deck arm- LH, grey		
X	21	1			1134-6237-02	Aggregatsarm- hö, grå	Deck arm- RH, grey		
X	22	2			1134-6279-01	Ansatsskruv	Shoulder bolt		
X	23	1			1134-6315-01	Lyftfäste- grå	Lift bracket- grey		
	24	2			9959-0816-16	Skruv	Screw		
	25	2			9739-0831-22	Mutter	Nut		
X	30	1			1134-6362-01	Lyftfjäder kpl	Lift spring assy	Inkl. pos 31 - 35	
	31	2			1134-5528-01	• Karbinhake	• Snap hook		
X	32	1			1134-6368-02	• Kedja	• Chain	7 links	
X	33	1			1134-6368-01	• Kedja	• Chain	4 links	
X	34	1			1134-6365-03	• Lyftfjäder	• Lift spring		
X	35	2			1134-4623-01	• S- krok	• S- hook		
X	99	1			8211-7000-70	Bruksanvisning	Owner's manual	Ej ill/not ill.	
X	99	1			8211-7003-70	Tillägg- bruksanv	Addendum- manual	Ej ill/not ill.	



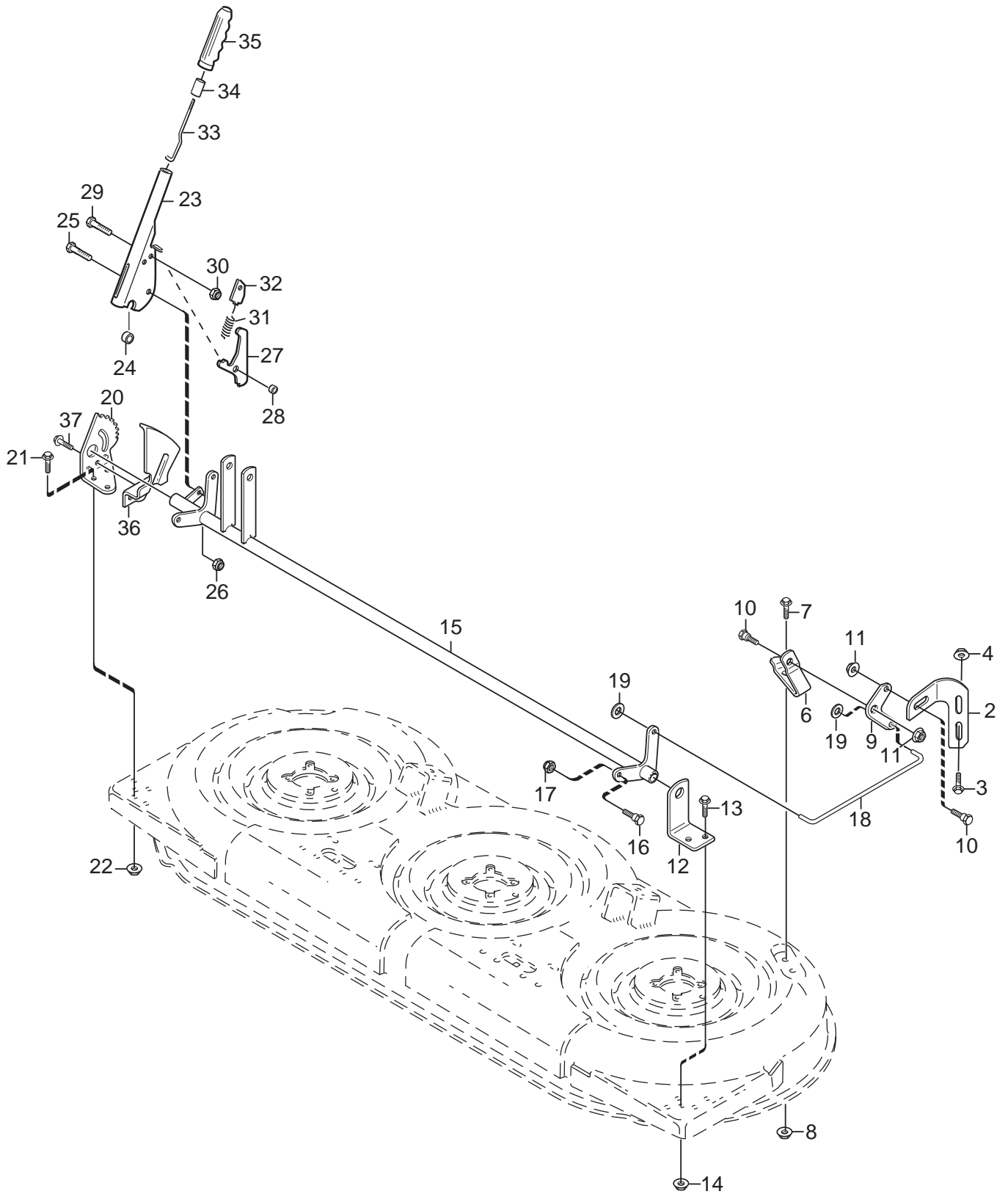
Utgåva Issue 2007- 11		Bildnr Picture No 2136		PARK KLIPPAGGREGAT 105 COMBI REGLAGE		PARK MOWER DECK 105 COMBI CONTROLS		Sida Page 168	
Pos. Fig.	Antal/Quantity			Art nr Part No	Benämning	Description	Sats Kit	Anmärkning Notes	
	2972 -11 2972 -31	2974 -11 2974 -31							
X	1	1	1		1134-6275-01 Framaxel- gul	Front axle- yellow			
X	2	1	1		1134-6215-01 Fäste fram- vä, gul	Bracket fr- LH, yellow			
X	3	1	1		1134-6215-02 Fäste fram- hö, gul	Bracket fr- RH, yellow			
	4	4	4		9959-0816-16 Skruv	Screw			
	5	4	4		9739-0831-22 Mutter	Nut			
X	6	2	2		1134-6278-01 Avbärare- grå	Guide- grey			
	7	2	2		1134-4284-01 Hjul	Wheel			
	8	4	4		1134-4319-01 Lager	Bearing			
	9	2	2		1134-4318-01 Hylsa	Wheel axle			
X	10	2	2		9897-0813-02 Skruv	Screw			
	11	2	2		9747-0831-02 Mutter	Lock nut			
X	12	1	1		1134-6197-01 Bakaxel- gul	Rear axle- yellow			
X	13	1	1		1134-6282-01 Rulle- vä, m- fäste	Roller- LH, w/bracket		Inkl. pos 15 - 18	
X	14	1	1		1134-6282-02 Rulle- hö, m- fäste	Roller- RH, w/bracket		Inkl. pos 15 - 18	
X	15	1	1		9897-0813-02 • Skruv	• Screw			
	16	1	1		9739-0831-22 • Mutter	• Nut			
	17	1	1		1134-4318-01 • Hylsa	• Wheel axle			
X	18	1	1		1134-9126-01 • Rulle	• Roller		Sats 2 st/kit of 2	
	19	4	4		9959-0816-16 Skruv	Screw			
	20	4	4		9739-0831-22 Mutter	Nut			
X	21	2	2		1134-6198-01 Pinne	Stud			
	22	2	2		9699-0104-02 Bricka	Washer			
	23	2	2		9598-2001-02 Låsnål	Spring pin			
X	24	2	2		9646-0098-22 Nit	Rivet			
	25	2	2		9675-0012-02 Starlock	Locking washer			
X	26A	1			1134-6249-01 Tryckstång- vä	Push rod- LH			
X	26B		1		1134-6250-01 Tryckstång- vä	Push rod- LH			
X	27	1	1		1134-6246-01 Tryckstång- hö	Push rod- RH			
	28	4	4		9675-0015-02 Starlock	Lock washer			
X	29	1			1134-6255-01 Höjdinst.segment	Height adj. quadrant			
	30	2			9959-0816-16 Skruv	Screw			
	31	2			9739-0831-22 Mutter	Nut			
X	32	1			1134-6244-01 Höjdinst.spak- grå	Height adj.lever- grey			
X	33	1			1134-6254-01 Spärr	Catch			
	34	1			1134-5444-01 Tryckstång	Push rod			
	35	1			1134-5445-01 Fjäder	Spring			
	36	1			1134-5503-01 Handtag	Handle			
	37	1			9699-0087-02 Planbricka	Flat washer			
	38	1			1134-3051-01 Spärrknapp	Locking knob			
X	39	1			1134-6286-03 Distans	Spacer			
X	40	1			1134-1565-16 Distans	Spacer			
X	41	2			9646-0105-22 Nit	Rivet			
	42	2			9672-0006-02 Starlock	Lock washer			
	43	1			9997-0850-16 Skruv	Screw			
	44	1			9739-0831-22 Mutter	Nut			
	45	2	2		9699-0028-02 Planbricka	Flat washer			
X	50		1		1134-6417-01 Ställdon	Actuator			
X	50A		1		1134-6373-01 • Kolvstångsända	• Rod end			
X	50B		1		1134-6418-02 • Kabel	• Cable			
X	50C		1		1134-6182-01 •• Hankontakt	•• Male terminal			
X	51		1		1134-6192-01 Fäste	Bracket			
	52		2		9959-0816-16 Skruv	Screw			
	53		2		9739-0831-22 Mutter	Nut			
X	54		2		9646-0098-22 Nit	Rivet			
	55		2		9675-0012-02 Starlock	Locking washer			



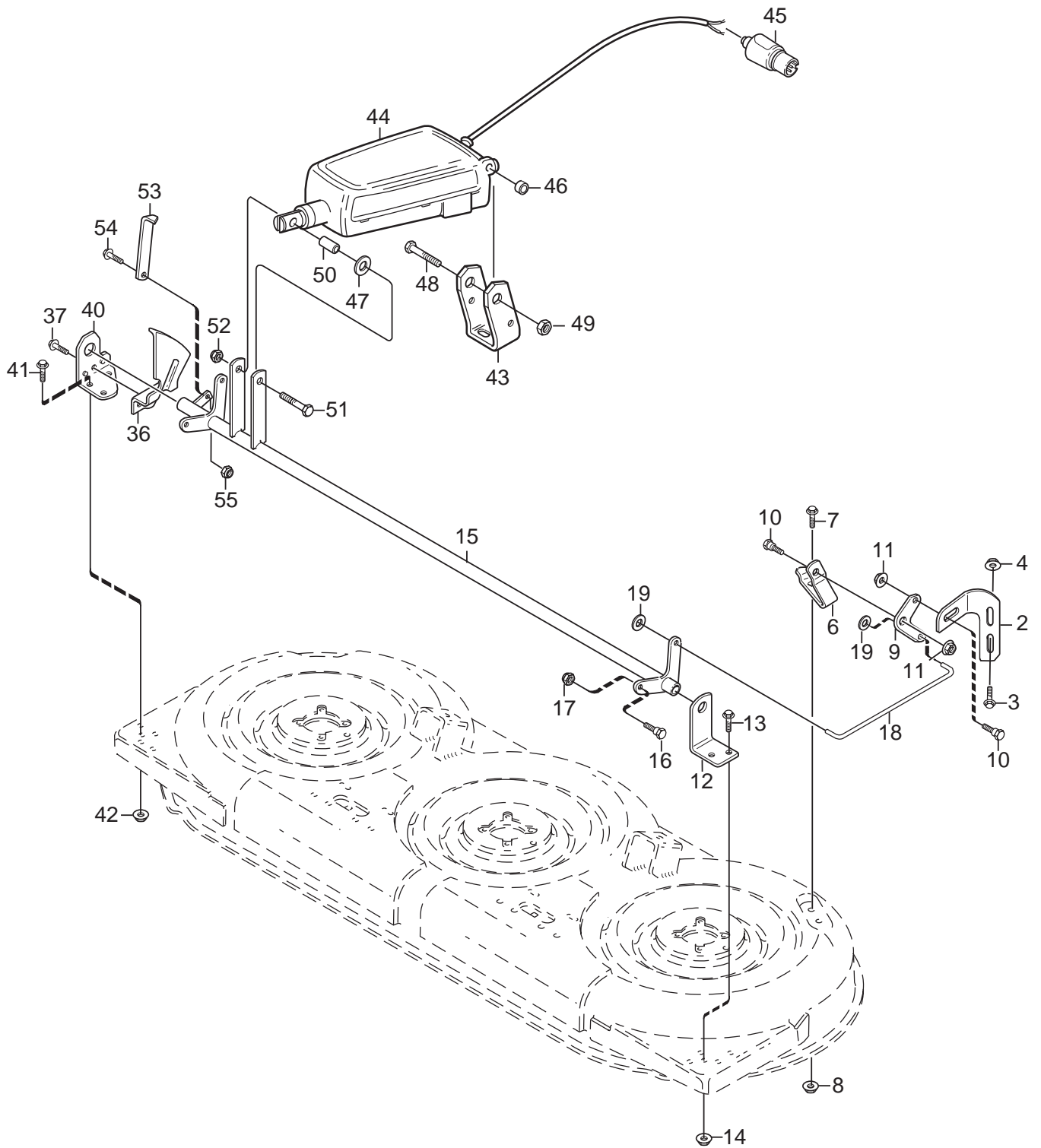
Utgåva Issue 2007- 11		Bildnr Picture No 2137		PARK KLIPPAGGREGAT 105 COMBI TRANSMISSION		PARK MOWER DECK 105 COMBI TRANSMISSION		Sida Page 170	
Pos. Fig.	Antal/Quantity			Art nr Part No	Benämning	Description	Sats Kit	Anmärkning Notes	
	2972 -11 2974 -11	2972 -31 2974 -31							
X	1	2	2	1134-5831-01	Lagerbox kpl.....	Bearing box assy.....			
	5	8	8	9945-0825-16	Skruv.....	Screw.....			
X	6	1	1	1134-9118-01	Knivbalk kpl.....	Blade bar assy.....		Sats 2 st/kit of 2	
X	7	1	1	1134-9119-01	• Knivsats kpl.....	• Blade kit.....		2 knivar/2 blade tips	
	8	1	1	1134-9054-01	•• Brytbultsats.....	•• Shear bolt kit.....			
X	9	2	2	1134-6311-01	•• Bult.....	•• Bolt.....		7/16" UNF	
X	10	2	2	1134-6312-01	•• Låsmutter.....	•• Lock nut.....		7/16" UNF	
X	11	2	2	1134-6211-01	Knivbricka.....	Blade washer.....			
	12	2	2	9997-1060-12	Skruv.....	Screw.....			
X	20	1	1	1134-6280-01	Transm.kåpa- grå.....	Transm.cover- grey.....			
	21	2	2	1134-0240-00	Ansatsskruv.....	Shoulder screw.....			
	22	2	2	9739-0831-22	Mutter.....	Nut.....			
	24	2	2	9945-0816-16	Skruv.....	Screw.....			
	25	2	2	1134-5595-01	Nitmutter.....	Riveting nut.....			
X	27	1	1	1134-6431-01	Remstyrning.....	Belt guide.....			
	28	2	2	9699-0090-02	Planbricka.....	Flat washer.....			
X	29	1	1	1134-9127-01	Kuggremskiva m.nav.....	Belt pulley w/hub.....		Sats 2 st/kit of 2	
	31	1	1	9997-1065-12	Skruv.....	Screw.....			
X	32	1	1	1134-6209-01	Fästplåt.....	Bracket.....			
X	33	1	1	1134-6205-01	Tapp.....	Shaft.....			
	34	4	4	9747-0631-02	Låsmutter.....	Lock nut.....			
X	35	1	1	1134-9128-01	Kuggremskiva u.nav.....	Belt pulley w/o hub.....			
X	37	1	1	1134-3725-05	Distans.....	Spacer.....			
	38	2	2	9549-0019-00	Kullager.....	Ball bearing.....			
X	39	1	1	1134-6204-01	Remskiva.....	Belt pulley.....		Ø = 168 mm	
	40	4	4	9997-0650-12	Skruv.....	Screw.....			
	41	1	1	9699-0030-02	Planbricka.....	Flat washer.....			
	42	1	1	9747-1031-02	Låsmutter.....	Lock nut.....			
	43	2	2	9997-1060-12	Skruv.....	Screw.....			
	44	2	2	1134-5406-01	Bricka.....	Washer.....			
X	45	2	2	9585-0165-01	Kuggrem.....	Toothed belt.....			
X	46	2	2	1134-5400-04	Distans.....	Spacer.....			
	47	4	4	9959-0820-16	Skruv.....	Screw.....			
	48	4	4	9739-0831-22	Mutter.....	Nut.....			
X	50		1	1134-9113-01	Drivrem.....	V- belt.....		= 9585-0172-01	
X	50	1		1134-9115-01	Drivrem.....	V- belt.....		= 9585-0170-01	

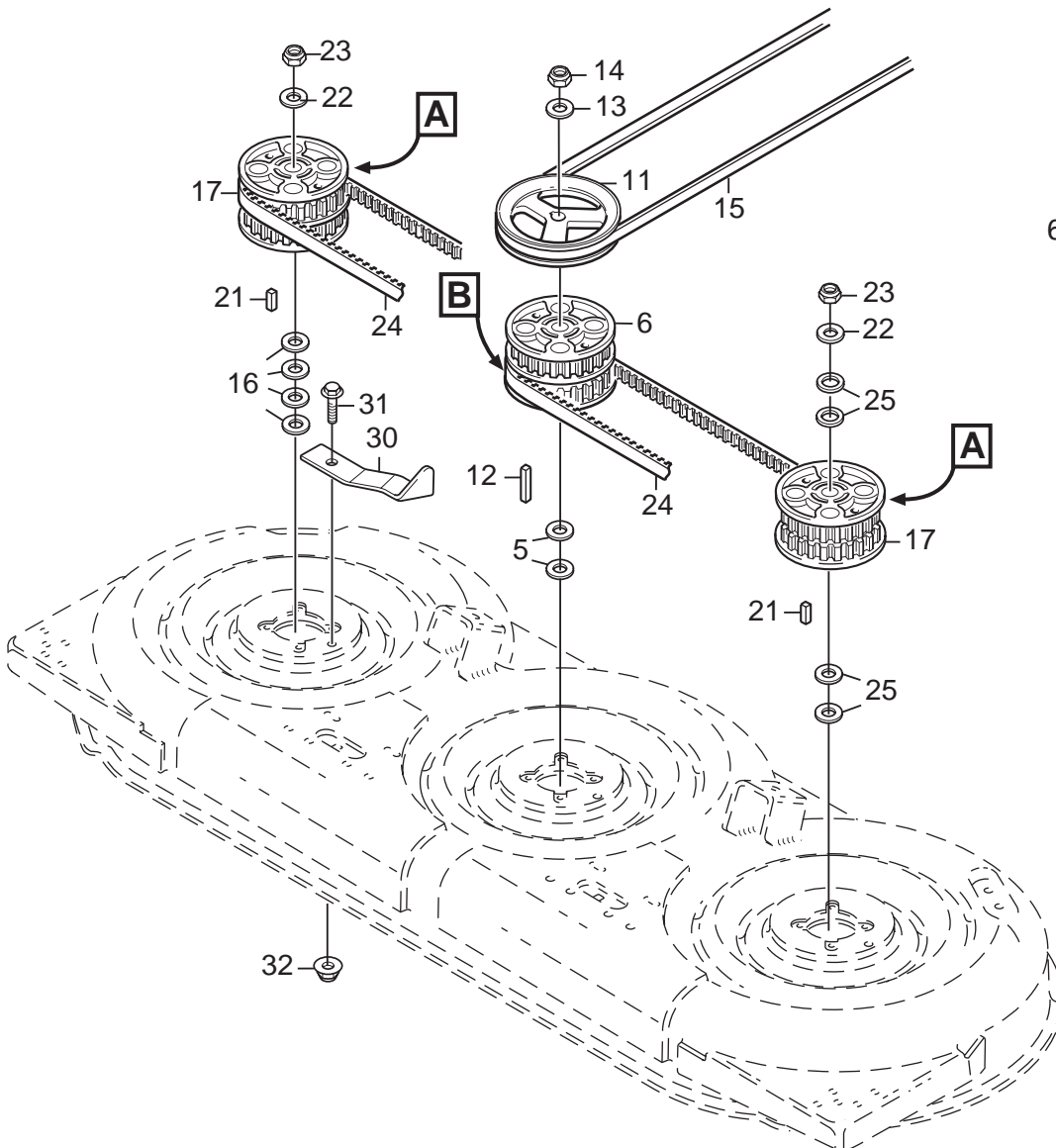
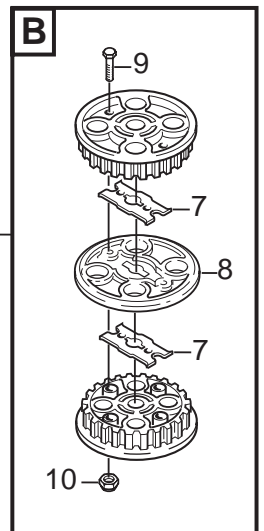
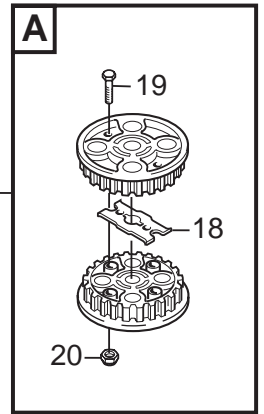
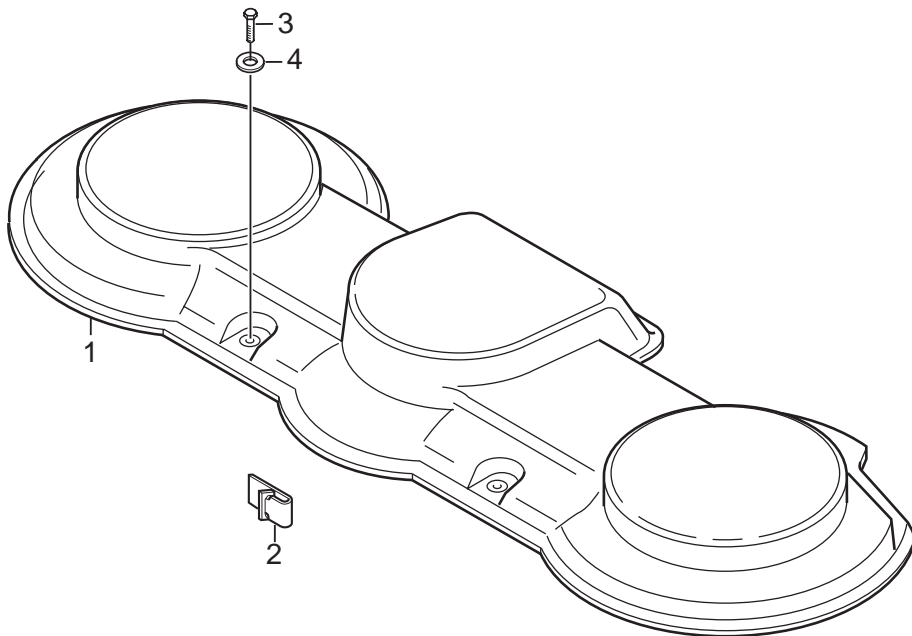


Utgåva Issue 2007- 11		Bildnr Picture No 1514A		PARK KLIPPAGGREGAT 121M RAM		PARK MOWER DECK 121M FRAME		Sida Page 172	
Pos. Fig.	Antal/Quantity			Art nr Part No	Benämning	Description	Sats Kit	Anmärkning Notes	
	2915 2921	2920 2928							
1	1	1		1134-3433-01	Ram.....	Frame.....			
2	1	1		1134-0304-06	Axel.....	Shaft.....			
3	2	2		9935-1020-16	Skruv.....	Screw.....			
4	1	1		9699-0104-02	Bricka.....	Washer.....			
5	11	11		1134-2406-01	Skyddsrule.....	Guard roller.....			
6	3	3		1134-2405-01	Kåphjul.....	Casing wheel.....			
7	1	1		1134-3434-01	Rulle.....	Roller.....			
8	3	3		1134-3047-01	Distans.....	Spacer.....			
9	4	4		1134-3434-01	Rulle.....	Roller.....			
10	4	4		9997-1060-12	Skruv.....	Screw.....			
11	4	4		1134-0041-04	Hylsa.....	Bushing.....			
12	4	4		9699-0030-02	Planbricka.....	Flat washer.....			
13	2	2		9739-1031-22	Mutter.....	Nut.....			
14	2	2		1134-3424-01	Aggregatsfäste.....	Attaching bar.....			
15	2	2		1134-3710-01	Redskapsfäste.....	Tool attachment.....			
16	2	2		9898-1035-16	Skruv.....	Screw.....			
17	2	2		1134-4775-01	Låsmutter.....	Lock nut.....			
18	2	2		9997-1035-16	Skruv.....	Screw.....			
19	2	2		9739-1031-22	Mutter.....	Nut.....			
20	2	2		9598-0003-02	Låsnål.....	Spring pin.....			
21	1	1		1134-3681-01	Kåpa.....	Mower deck.....			
22	1	1		1134-4688-02	Lyftfjäder kpl.....	Lift spring assy.....		Inkl. pos 23 - 28	
23	1	1		1134-4574-01	• Fjäder kpl.....	• Spring assy.....			
24	1	1		1134-4577-01	• Pendel.....	• Spring pivot.....			
25	1	1		9997-0825-16	• Skruv.....	• Screw.....			
26	1	1		9997-0835-12	• Skruv.....	• Screw.....			
27	2	2		9747-0831-02	• Mutter.....	• Lock nut.....			
28	2	2		1134-4481-01	• Vingmutter.....	• Wing nut.....			
30		2		1134-5886-01	Redskapsfäste kpl.....	Tool attachment assy.....		Inkl. pos 31 - 32	
31		2		1134-5686-01	• Lagerbussning.....	• Bearing bush.....			
32		1		9501-0502-00	• Smörjnippel.....	• Grease joint.....			
33		1		1134-5952-01	Kedja.....	Chain.....			
98	1	1		9402-3124-00	Varn.decil "Danger".....	Warn. label "Danger".....		Ej ill/not ill.	
98	1	1		9402-3203-00	Varn.decil m. symbol.....	Warn. label w.Symbols.....		Ej ill/not ill.	
99		1		8211-0543-04	Bruksanvisning.....	Owner's manual.....		Ej ill/not ill.	
99	1			8211-3011-11	Bruksanvisning.....	Owner's manual.....		Ej ill/not ill.	

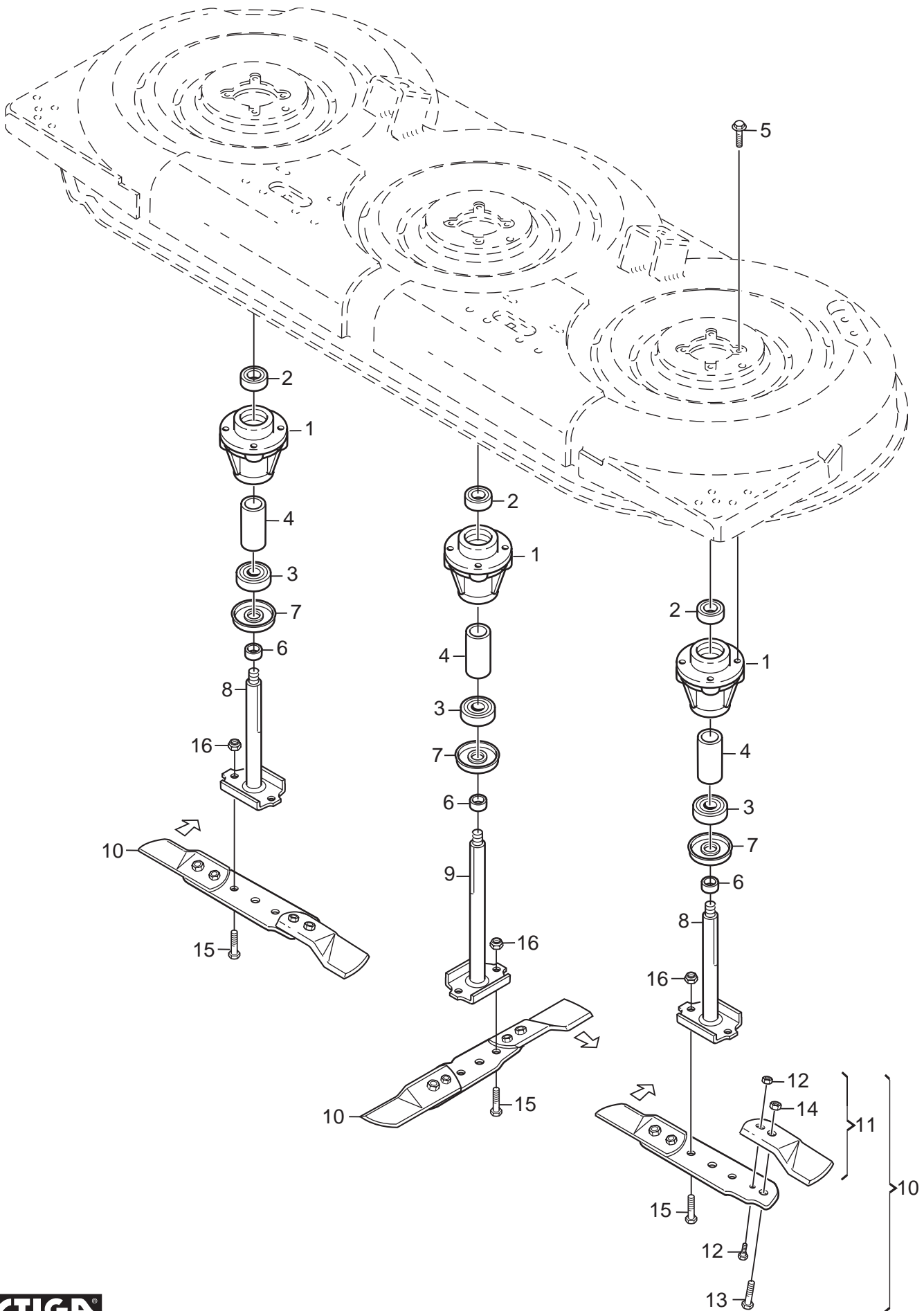


Utgåva Issue 2007- 11		Bildnr Picture No 1515		PARK KLIPPAGGREGAT 121M REGLAGE		PARK MOWER DECK 121M CONTROLS		Sida Page 174	
Pos. Fig.	Antal/Quantity				Art nr Part No	Benämning	Description	Sats Kit	Anmärkning Notes
	2915								
2	1				1134-3015-01	Justerstag- hö.....	Adjusting bracket- RH		Ej ill/not ill.
2	1				1134-3015-02	Justerstag- vä.....	Adjusting bracket- LH.....		
3	4				9959-0820-16	Skruv.....	Screw.....		
4	4				9739-0831-22	Mutter.....	Nut.....		
6	1				1134-5056-01	Fäste- hö.....	Bracket- RH.....		Ej ill/not ill.
6	1				1134-5056-02	Fäste- vä.....	Bracket- LH.....		
7	4				9959-0820-16	Skruv.....	Screw.....		
8	4				9739-0831-22	Mutter.....	Nut.....		
9	2				1134-2907-03	Pivotplatta.....	Pivoting plate.....		
10	4				1134-0240-00	Ansatsskruv.....	Shoulder screw.....		
11	4				9747-0831-02	Mutter.....	Lock nut.....		
12	1				1134-2411-01	Fäste.....	Bracket.....		
13	2				9959-0820-16	Skruv.....	Screw.....		
14	2				9739-0831-22	Mutter.....	Nut.....		
15	1				1134-3430-01	Parallellaxel.....	Shaft.....		
16	2				1134-0240-00	Ansatsskruv.....	Shoulder screw.....		
17	2				9747-0831-02	Mutter.....	Lock nut.....		
18	2				1134-1833-02	Stag.....	Rod.....		
19	4				9675-0012-02	Starlock.....	Locking washer.....		
20	1				1134-3011-01	Höjdställn.segment.....	Height adj. quadrant.....		
21	3				9959-0820-16	Skruv.....	Screw.....		
22	3				9739-0831-22	Mutter.....	Nut.....		
23	1				1134-5215-01	Höjdställn.spak kpl.....	Height adj.lever assy.....		Inkl. pos 27 - 35
24	1				1134-2427-01	Distans.....	Spacer.....		
25	1				9997-0825-16	Skruv.....	Screw.....		
26	1				9747-0831-02	Mutter.....	Lock nut.....		
27	1				1134-3010-02	• Låssegment.....	• Locking quadrant.....		
28	1				1134-5114-01	• Distans.....	• Spacer.....		
29	1				9997-0620-16	• Skruv.....	• Screw.....		
30	1				9747-0631-02	• Låsmutter.....	• Lock nut.....		
31	1				1134-3262-01	• Tryckfjäder.....	• Compression spring.....		
32	1				1134-3009-01	• Låskil.....	• Locking key.....		
33	1				1134-3041-01	• Reglagestång.....	• Control rod.....		
34	1				1134-3051-01	• Spärrknapp.....	• Locking knob.....		
35	1				9406-0006-00	• Handtag.....	• Handle.....		
36	1				1134-3026-02	Höjdvisningsplåt.....	Height measure plate.....		
37	1				9945-0816-16	Skruv.....	Screw.....		



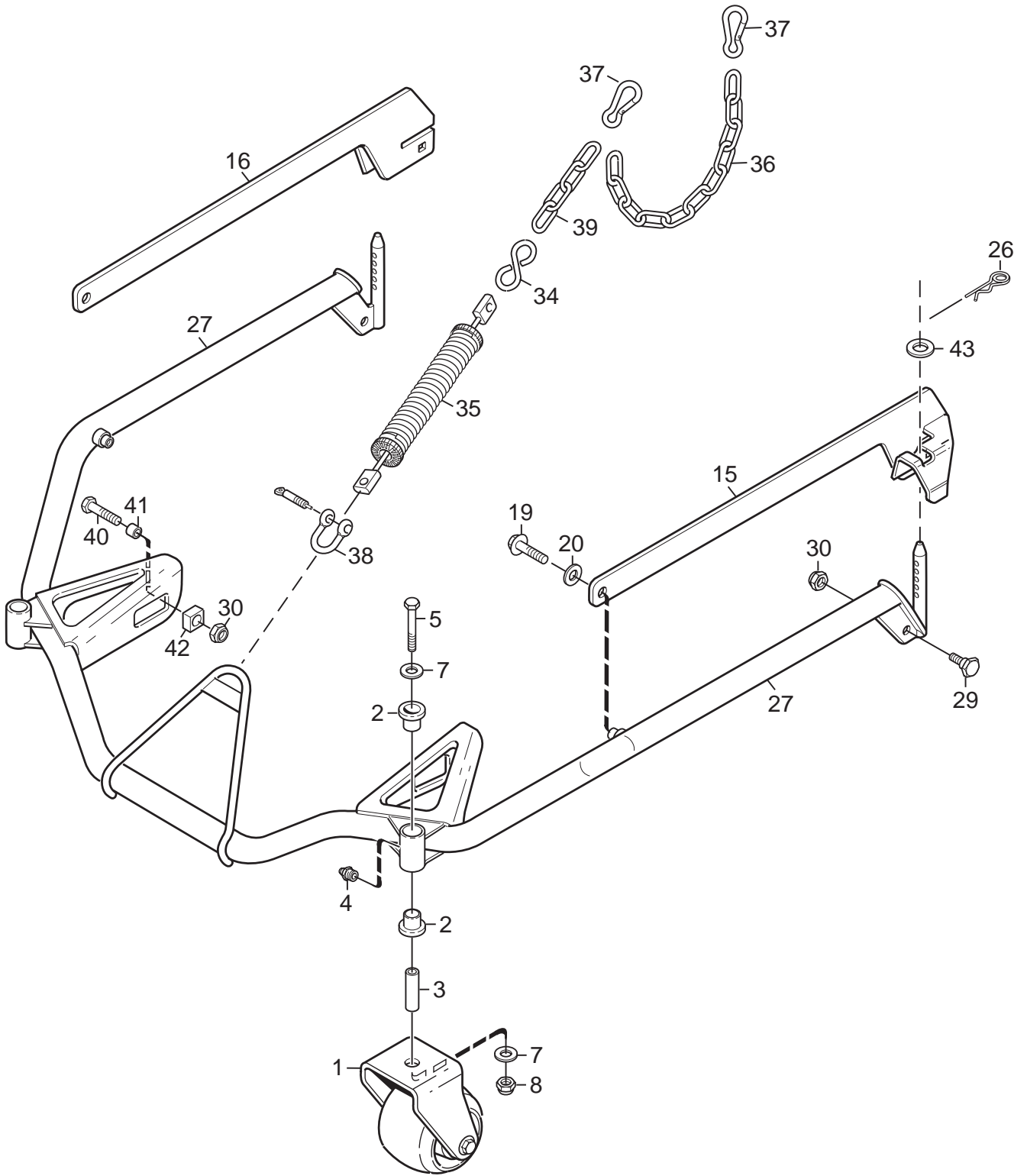


Utgåva Issue 2007- 11		Bildnr Picture No 1517		PARK KLIPPAGGREGAT 121M TRANSMISSION		PARK MOWER DECK 121M TRANSMISSION		Sida Page 178	
Pos. Fig.	Antal/Quantity				Art nr Part No	Benämning	Description	Sats Kit	Anmärkning Notes
	2915 2921	2920 2928							
1	1	1			1134- 5800- 02	Transmissionskåpa	Transmission cover		
2	3	3			1134- 3632- 01	Clips- remstyrning	Clips- belt guide		
3	2	2			9997- 0620- 16	Skruv	Screw		
4	2	2			9699- 0100- 02	Bricka	Washer		
5	2	2			9699- 0104- 02	Bricka	Washer		
6	1	1			1134- 3679- 02	Kuggremskiva kpl	Toothed belt pulley		
7	2	2			1134- 3597- 01	• Medbringare	• Reinforcement		
8	1	1			1134- 3598- 01	• Remskivplatta	• Plate- belt pulley		
9	2	2			9997- 0630- 12	• Skruv	• Screw		
10	2	2			9747- 0631- 02	• Låsmutter	• Lock nut		
11	1	1			1134- 3419- 01	Remskiva	Belt pulley		
12	1	1			1134- 0323- 02	Kil	Key		L = 54 mm
13	1	1			1134- 5236- 01	Bricka	Washer		
14	1	1			1134- 4775- 01	Låsmutter	Lock nut		
15	1				1134- 9045- 01	Drivrem	V- belt		= 9585- 0081- 00
15		1			1134- 9094- 01	Drivrem	V- belt		= 9585- 0146- 01
16	4	4			9699- 0104- 02	Bricka	Washer		
17	2	2			1134- 3679- 01	Kuggremskiva kpl	Toothed belt pulley		
18	1	1			1134- 3597- 01	• Medbringare	• Reinforcement		
19	2	2			9997- 0625- 16	• Skruv	• Screw		
20	2	2			9747- 0631- 02	• Låsmutter	• Lock nut		
21	2	2			1134- 0323- 01	Kil	Key		L = 25 mm
22	2	2			1134- 5236- 01	Bricka	Washer		
23	2	2			1134- 4775- 01	Låsmutter	Lock nut		
24	2	2			9585- 0085- 00	Kuggrem	Toothed belt		
25	4	4			9699- 0104- 02	Bricka	Washer		
30	2	2			1134- 3014- 01	Remspännare	Belt tensioner		
31	2	2			9959- 0820- 16	Skruv	Screw		
32	2	2			9739- 0831- 22	Mutter	Nut		

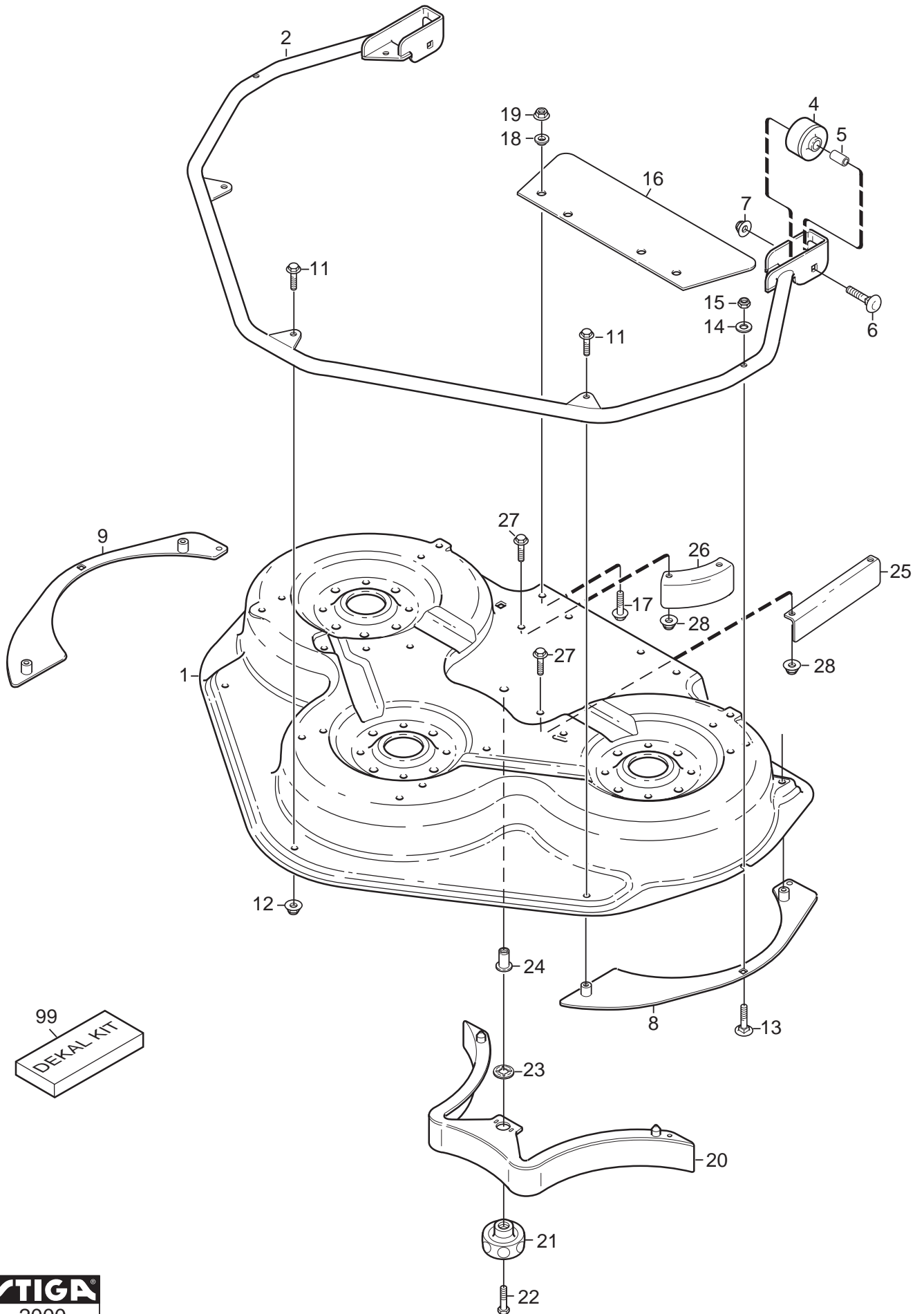


Utgåva Issue 2007- 11		Bildnr Picture No 1518		PARK KLIPPAGGREGAT 121M KNIVAR		PARK MOWER DECK 121M BLADES		Sida Page 180	
Pos. Fig.	Antal/Quantity				Art nr Part No	Benämning	Description	Sats Kit	Anmärkning Notes
	2915	2920	2921	2928					
1	3				1134-3841-01 Lagerbox kpl.....	Bearing box assy.....			
2	1				9549-0019-00 • Kullager	• Ball bearing			
3	1				9549-0020-00 • Kullager	• Ball bearing			
4	1				1134-0051-05 • Distans	• Spacer			
5	12				9945-0825-16 Skruv	Screw			
6	3				1134-3725-01 Distans	Spacer			
7	3				1134-5130-01 Skyddsbricka	Bearing cover			
8	2				1134-4600-01 Knivaxel	Blade shaft			
9	1				1134-4600-02 Knivaxel	Blade shaft			
10	1				1134-9081-01 Knivbalk kpl	Blade bar assy.....			
11	3				1134-9082-01 • Knivsats kpl	• Blade kit			
12	1				1134-9054-01 •• Brytbultsats	•• Shear bolt kit			
13	2				9997-0816-16 •• Skruv	•• Screw			
14	2				9712-0831-02 •• Låsmutter	•• Lock nut			
15	6				9997-0820-16 Skruv	Screw			
16	6				9747-0831-02 Mutter	Lock nut			

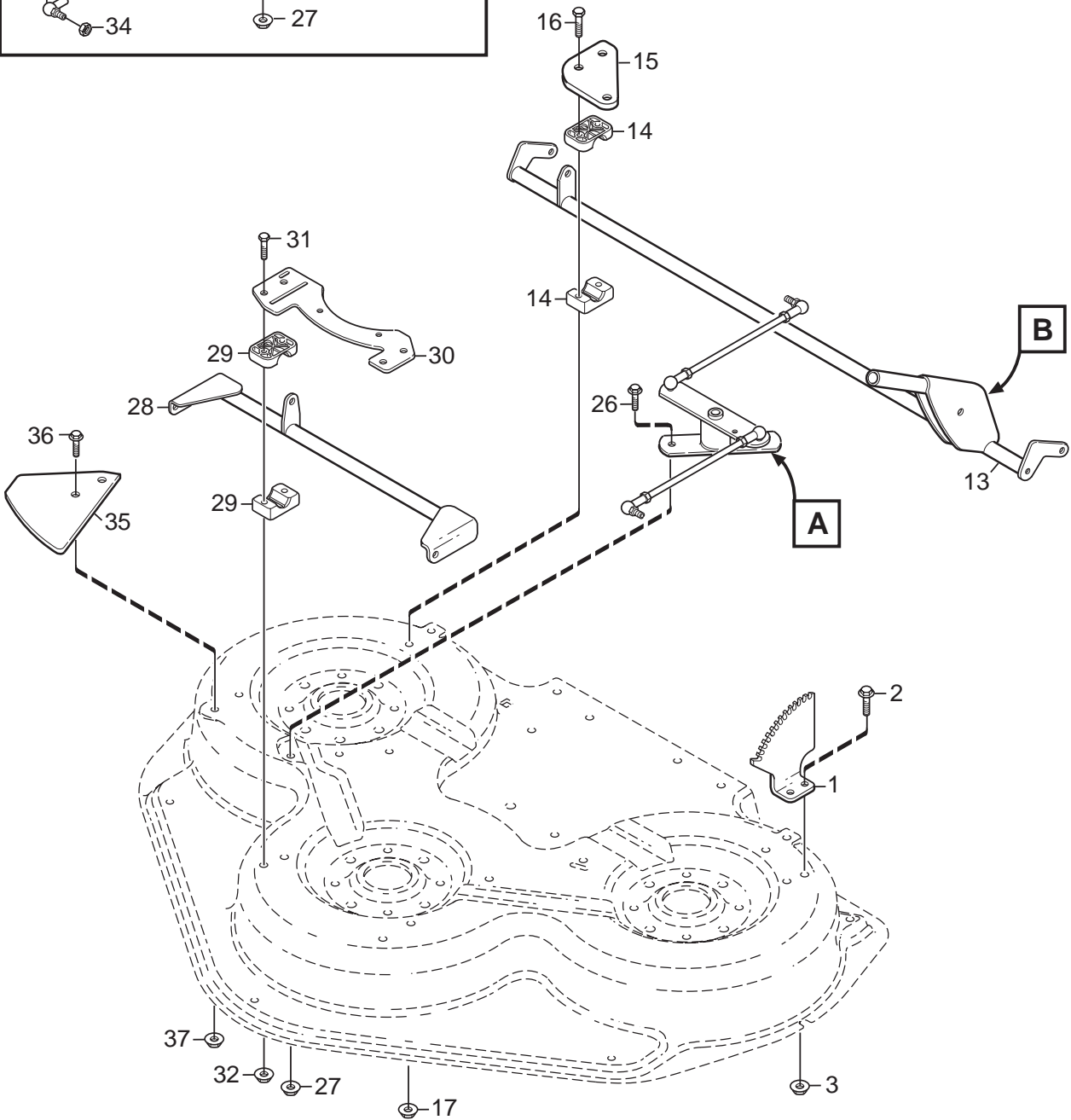
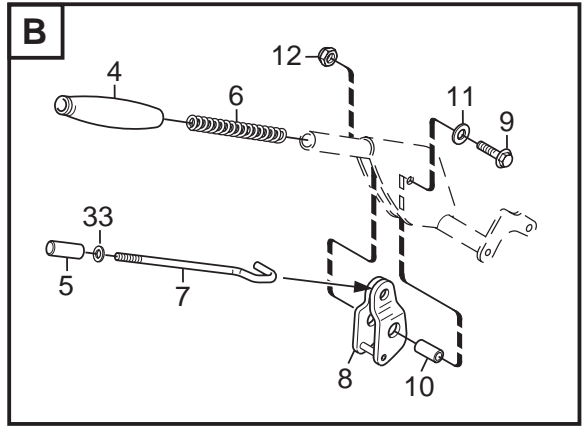
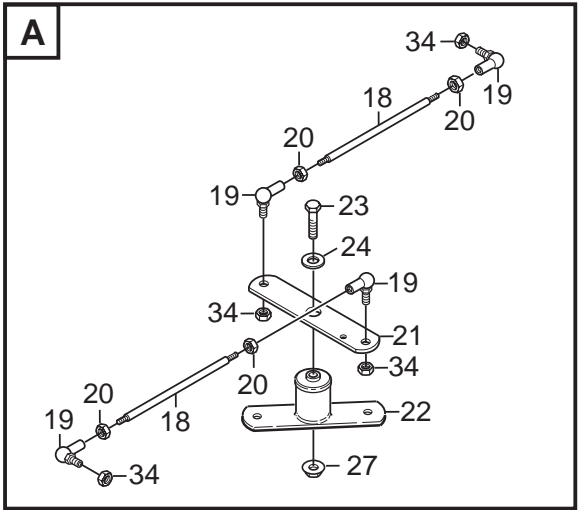
Sats 3 st/kit of 3
2 knivar/2 blade tips
6 bultar/6 bolts+nuts



Utgåva Issue 2007- 11		Bildnr Picture No 1829B		PARK KLIPPAGGREGAT 110 COMBI PRO RAM		PARK MOWER DECK 110 COMBI PRO FRAME		Sida Page 182	
Pos. Fig.	Antal/Quantity			Art nr Part No	Benämning	Description	Sats Kit	Anmärkning Notes	
	2931 -20 2932 -20	2931 -40 2932 -40							
	1	2	2	1134-5884-01	Pivothjul	Pivot wheel		Sats 4 st/kit of 4	
	2	1	1	1134-9026-01	Lagerbussning	Bearing bush kit			
	3	2	2	1134-5677-01	Distans	Spacer			
	4	2	2	9501-0500-00	Smörjnippel	Grease joint			
	5	2	2	9997-1090-12	Skruv	Screw			
	7	4	4	9699-0030-02	Planbricka	Flat washer			
	8	2	2	9747-1031-02	Låsmutter	Lock nut			
	15	1	1	1134-6141-01	Aggregatsarm- vä	Mower deck arm- LH			
	16	1	1	1134-6141-02	Aggregatsarm- hö	Mower deck arm- RH			
	19	2	2	9959-0816-16	Skruv	Screw			
	20	2	2	9699-0056-02	Planbricka	Flat washer			
	26	2	2	9598-2001-02	Låsnål	Spring pin			
	27	1	1	1134-5843-01	Ram	Frame			
	29	2	2	1134-0240-00	Ansatssskruv	Shoulder screw			
	30	4	4	9747-0831-02	Mutter	Lock nut			
X	34	1	1	1134-4623-01	S- krok	S- hook			
X	35	1	1	1134-6365-02	Lyftfjäder	Lift spring			
X	36	1	1	1134-6368-03	Kedja	Chain			
	37	2	2	1134-5528-01	Karbinhake	Snap hook			
	38	1	1	1134-2629-01	Lyftlänk	Lift link			
X	39	1	1	1134-6368-01	Kedja	Chain			
	40	2	2	9997-0825-16	Skruv	Screw			
	41	2	2	1134-5626-01	Distans	Spacer			
	42	2	2	1134-5863-01	Distans	Spacer			
	43	2	2	9699-0104-02	Bricka	Washer			
X	99	1	1	8211-7001-70	Bruksanvisning	Owner's manual	Ej ill/not ill.		

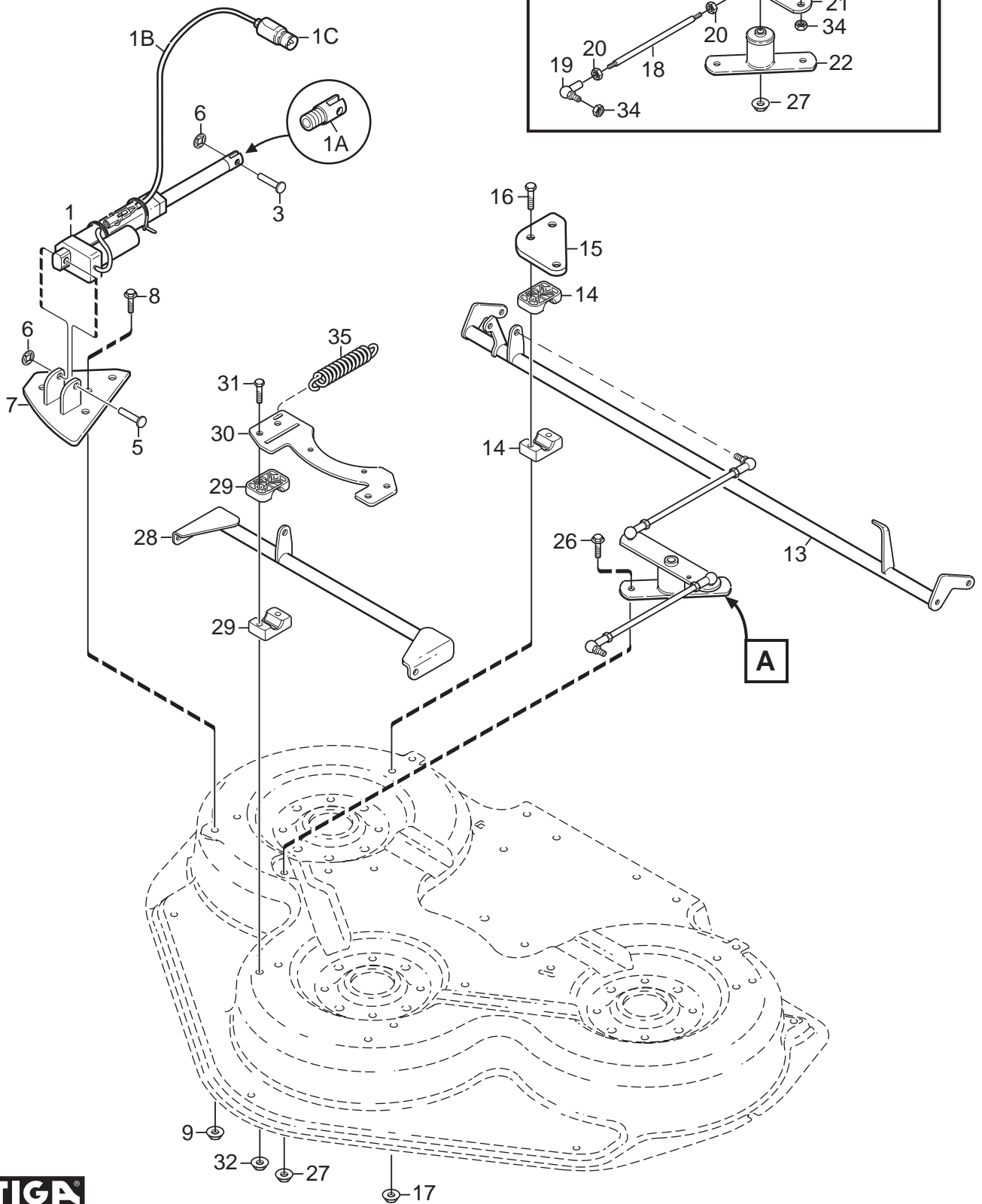


Utgåva Issue 2007- 11		Bildnr Picture No 2000		PARK KLIPPAGGREGAT 110 COMBI PRO KÅPA		PARK MOWER DECK 110 COMBI PRO CASING		Sida Page 184	
Pos. Fig.	Antal/Quantity			Art nr Part No	Benämning	Description	Sats Kit	Anmärkning Notes	
	2931 -20 2932 -20	2931 -40 2932 -40							
X 1	1	1		1134-5901-01	Kåpa	Casing		Inkl. pos 24	
2	1	1		1134-5977-02	Ram-grå.....	Frame- grey			
4	2	2		1134-3434-01	Rulle	Roller			
5	2	2		1134-0041-04	Hylsa	Bushing.....			
6	2	2		9897-1060-12	Skruv	Screw			
7	2	2		9739-1031-22	Mutter.....	Nut			
8	1	1		1134-5973-01	Slitskydd- vä	Wear protection- LH			
9	1	1		1134-5973-02	Slitskydd- hö.....	Wear protection- RH.....			
11	5	5		9959-0816-16	Skruv	Screw			
12	1	1		9739-0831-22	Mutter.....	Nut			
13	2	2		9897-0640-12	Skruv	Screw			
14	2	2		9699-0060-02	Planbricka.....	Flat washer.....			
15	2	2		9747-0631-02	Låsmutter	Lock nut			
16	1	1		1134-5885-01	Gummiskydd	Rubber flap			
17	2	2		9959-0816-16	Skruv	Screw			
18	4	4		1134-4185-01	Ansatsbricka.....	Flange washer			
19	2	2		9739-0831-22	Mutter.....	Nut			
20	1	1		1134-5966-01	Mulcherplugg	Mulch plug			
21	1	1		1117-3194-01	Lås ratt	Locking knob			
22	1	1		9997-0840-16	Skruv	Screw			
23	1	1		9675-0012-02	Starlock	Locking washer.....			
24	1	1		1134-5595-01	• Nitmutter	• Riveting nut.....			
25	1	1		1134-5553-02	Ledskena- rak (svart).....	Guide plate- straight.....			
26	1	1		1134-5970-01	Ledskena- böjd	Guide plate- curved			
27	4	4		9959-0816-16	Skruv	Screw			
28	4	4		9739-0831-22	Mutter.....	Nut			
99	1	1		1134-5594-01	Dekalsats	Label kit			

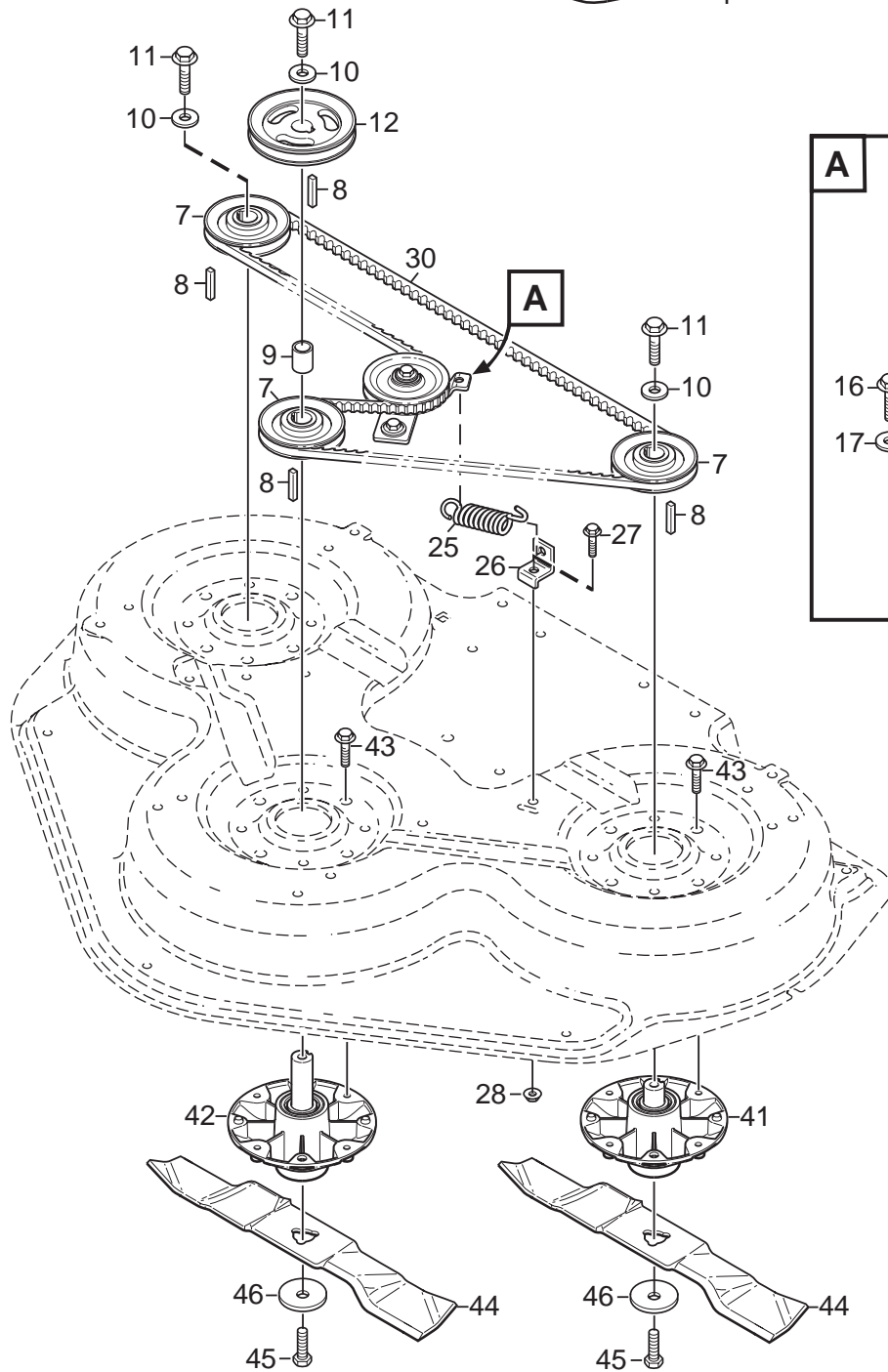
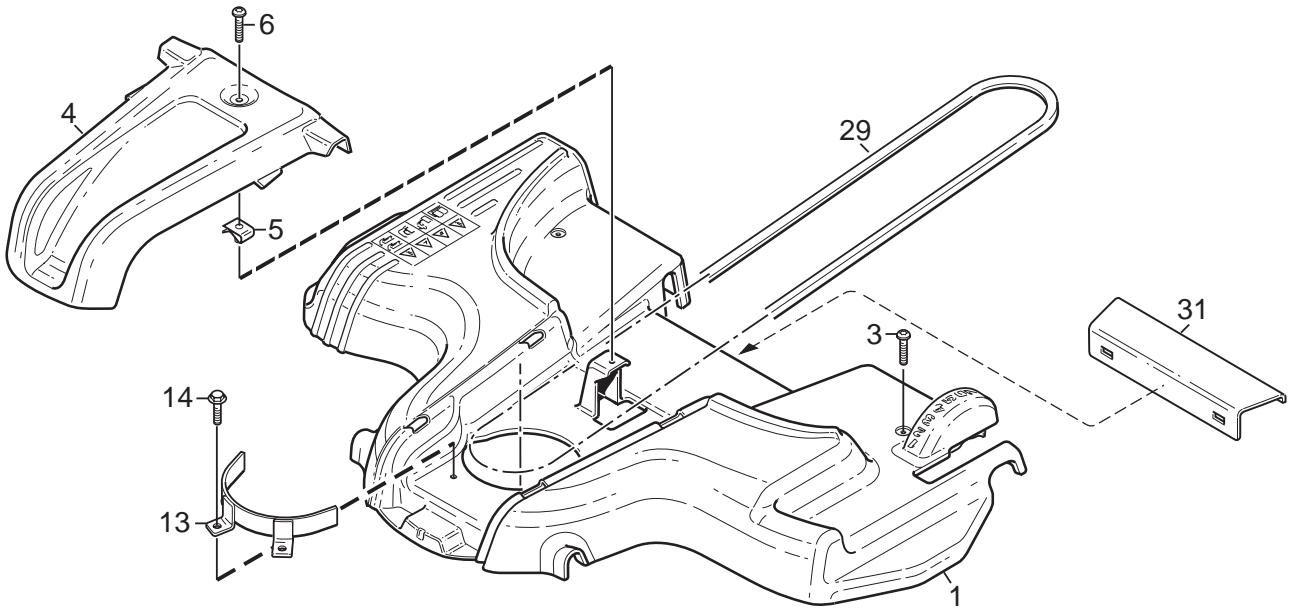


Utgåva Issue 2007- 11		Bildnr Picture No 2001		PARK KLIPPAGGREGAT 110 COMBI PRO REGLAGE		PARK MOWER DECK 110 COMBI PRO CONTROLS		Sida Page 186	
Pos. Fig.	Antal/Quantity				Art nr Part No	Benämning	Description	Sats Kit	Anmärkning Notes
	2931 -20 -40								
1	1				1134-5447-01	Höjdst.segment	Height adj. quadrant.....		
2	2				9959-0816-16	Skruv	Screw		
3	2				9739-0831-22	Mutter.....	Nut		
4	1				1134-5503-01	Handtag	Handle.....		
5	1				1134-5443-01	Tryckknapp	Push button		
6	1				1134-5445-01	Fjäder.....	Spring		
7	1				1134-5444-01	Tryckstång	Push rod		
8	1				1134-5440-01	Spärr	Catch		
9	1				9997-0840-16	Skruv	Screw		
10	1				1134-1565-13	Distans	Spacer		
11	1				9699-0028-02	Planbricka.....	Flat washer.....		
12	1				9747-0831-02	Mutter.....	Lock nut.....		
13	1				1134-6392-01	Bakaxel	Rear axle		
14	4				1134-5469-01	Lagerhalva	Bearing half		
15	2				1134-5471-01	Överfall- bakre	Bearing plate- rear		
16	4				9997-0845-12	Skruv	Screw		
17	4				9739-0831-22	Mutter.....	Nut		
18	2				1134-5473-01	Tryckstång	Push rod		
19	4				9570-0002-00	Vinkellänk	Elbow link		
20	4				9739-0831-22	Mutter.....	Nut		
21	1				1134-5855-01	Länkarm	Pivot arm		
22	1				1134-5858-01	Pivotfäste.....	Pivot shaft.....		
23	1				9997-0880-16	Skruv	Screw		
24	1				1134-5127-01	Bricka	Washer		
26	2				9959-0816-16	Skruv	Screw		
27	3				9739-0831-22	Mutter.....	Nut		
28	1				1134-5427-01	Framaxel	Front axle		
29	4				1134-5469-01	Lagerhalva	Bearing half		
30	1				1134-5846-01	Överfall- främre.....	Bearing plate- front		
31	4				9997-0845-12	Skruv	Screw		
32	4				9739-0831-22	Mutter.....	Nut		
33	1				9699-0087-02	Planbricka.....	Flat washer.....		
34	4				9747-0831-02	Mutter.....	Lock nut.....		
35	1				1134-6128-01	Täckplåt	Cover plate.....		
36	2				9959-0816-16	Skruv	Screw		
37	2				9739-0831-22	Mutter.....	Nut		

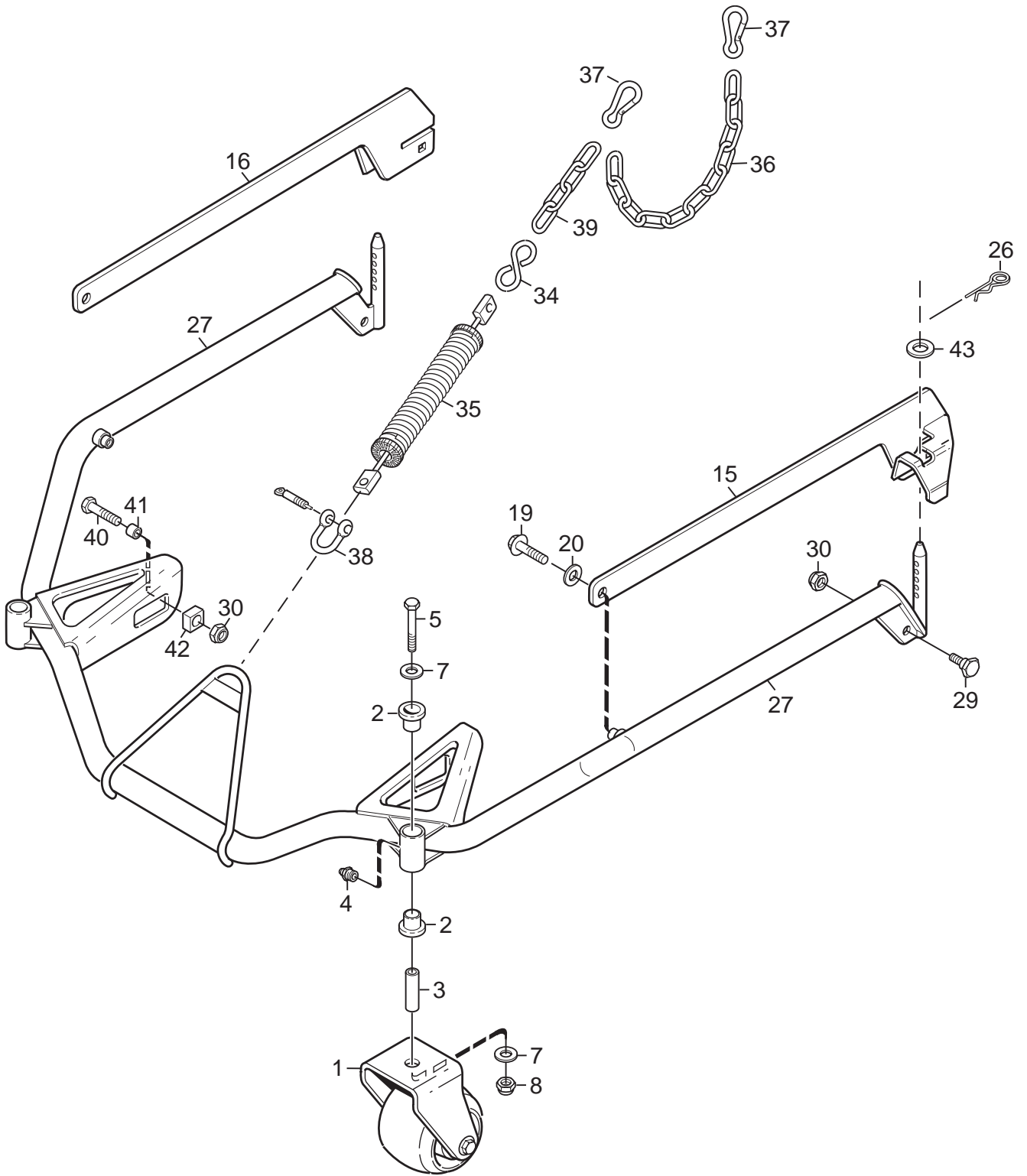
X



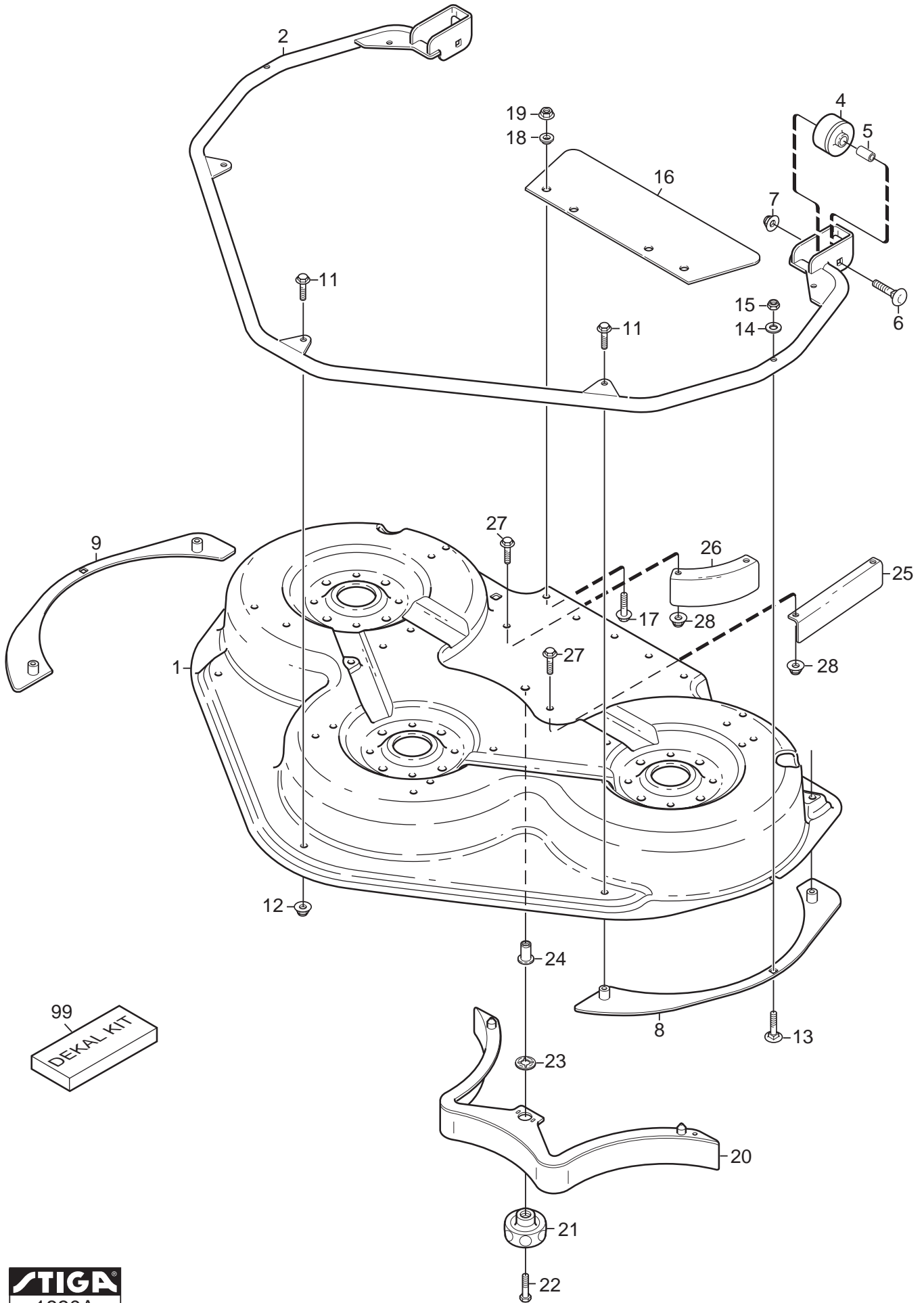
Utgåva Issue 2007- 11		Bildnr Picture No 2002A		PARK KLIPPAGGREGAT 110 COMBI PRO EL. REGLAGE		PARK MOWER DECK 110 COMBI PRO EL. CONTROL		Sida Page 188	
Pos. Fig.	Antal/Quantity				Art nr Part No	Benämning	Description	Sats Kit	Anmärkning Notes
	2932 -20 -40								
X	1	1			1134-6416-01	Ställdon	Actuator		
X	1A	1			1134-6373-01	• Kolvstångsända	• Rod end		
X	1B	1			1134-6418-01	• Kabel	• Cable		
X	1C	1			1134-6182-01	• • Hankontakt	• • Male terminal		
X	3	1			9646-0098-22	Nit	Rivet		
X	5	1			9646-0105-22	Nit	Rivet		
	6	2			9675-0012-02	Starlock	Locking washer		
	7	1			1134-5981-01	Fäste	Bracket		
	8	2			9959-0816-16	Skruv	Screw		
	9	2			9739-0831-22	Mutter	Nut		
X	13	1			1134-6393-01	Bakaxel	Rear axle		
	14	4			1134-5469-01	Lagerhalva	Bearing half		
	15	2			1134-5471-01	Överfall- bakre	Bearing plate- rear		
	16	4			9997-0845-12	Skruv	Screw		
	17	4			9739-0831-22	Mutter	Nut		
	18	2			1134-5473-01	Tryckstång	Push rod		
	19	4			9570-0002-00	Vinkellänk	Elbow link		
	20	4			9739-0831-22	Mutter	Nut		
	21	1			1134-5855-01	Länkarm	Pivot arm		
	22	1			1134-5858-01	Pivotfäste	Pivot shaft		
	23	1			9997-0880-16	Skruv	Screw		
	24	1			1134-5127-01	Bricka	Washer		
	26	2			9959-0816-16	Skruv	Screw		
	27	3			9739-0831-22	Mutter	Nut		
	28	1			1134-5427-01	Framaxel	Front axle		
	29	4			1134-5469-01	Lagerhalva	Bearing half		
	30	1			1134-5846-01	Överfall- främre	Bearing plate- front		
	31	4			9997-0845-12	Skruv	Screw		
	32	4			9739-0831-22	Mutter	Nut		
	34	4			9747-0831-02	Mutter	Lock nut		
	35	1			1134-5847-01	Fjäder	Spring		



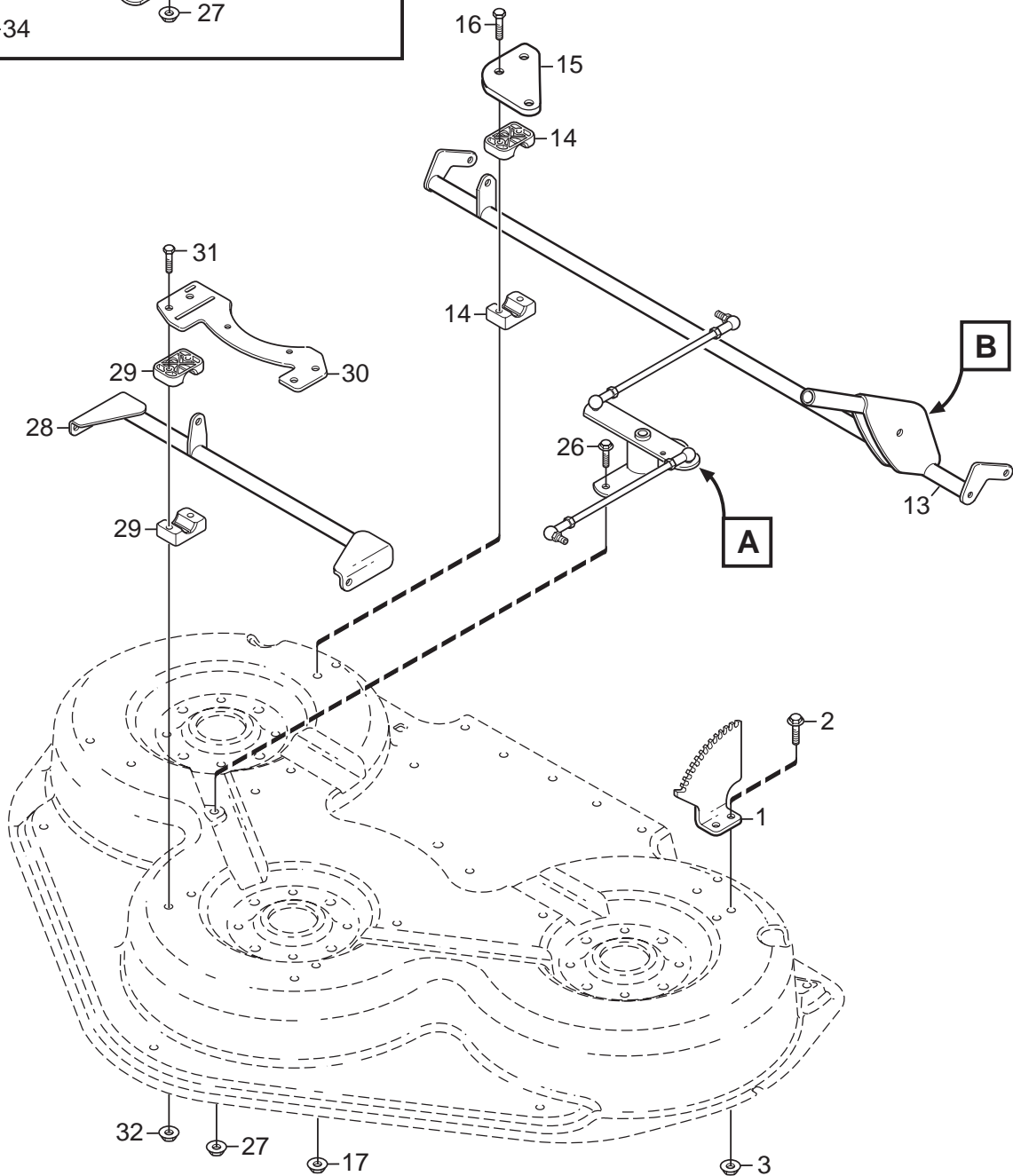
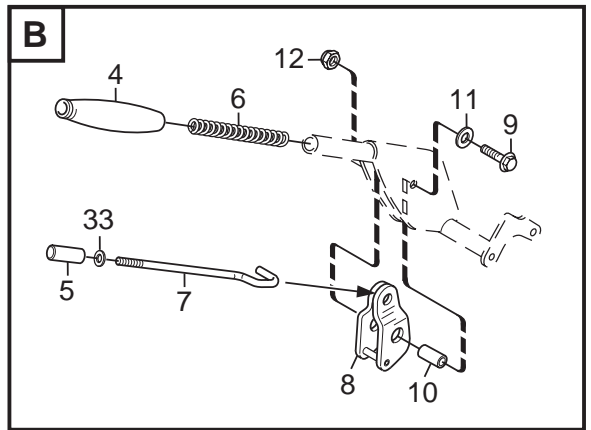
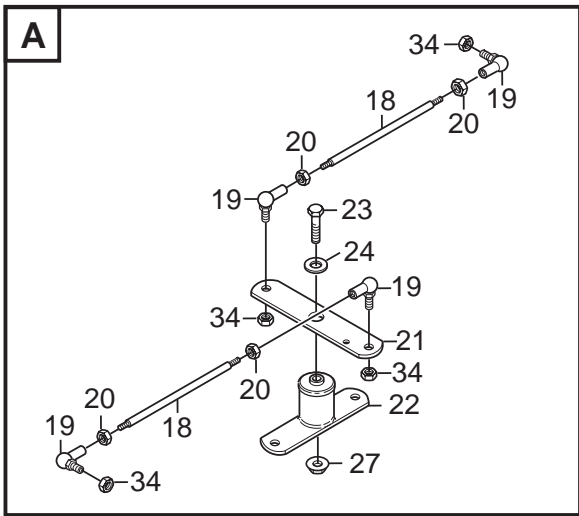
Utgåva Issue 2007- 11		Bildnr Picture No 2194		PARK KLIPPAGGREGAT 110 COMBI PRO TRANSMISSION		PARK MOWER DECK 110 COMBI PRO TRANSMISSION		Sida Page 190	
Pos. Fig.	Antal/Quantity				Art nr Part No	Benämning	Description	Sats Kit	Anmärkning Notes
	2931 -20	2932 -20	2931 -40	2932 -40					
	1		1		1134-5984-01	Transmissionskåpa	Transmission cover		
	1	1		1	1134-5986-01	Transmissionskåpa	Transmission cover		
	3	2	2	2	9893-0616-16	Skruv	Screw		
	4	1	1	1	1134-5987-01	Täckkåpa	Cover		
	5	1	1	1	1134-4176-01	Clips	Clips		
	6	1	1	1	9893-0616-16	Skruv	Screw		
	7	3	3	3	1134-5404-01	Remskiva	Belt pulley		
	8	4	4	4	9600-0171-01	Plattkil	Flat key		6 x 6 x 25 mm
	9	1	1	1	1134-5400-03	Distans	Spacer		L = 20 mm
	10	3	3	3	1134-5406-01	Bricka	Washer		
	11	3	3	3	9997-1060-12	Skruv	Screw		
	12	1	1	1	1134-5975-01	Remskiva	Belt pulley		Ø = 140 mm
	13	1	1	1	1134-6017-01	Remstyrning	Belt guide		
	14	2	2	2	9942-0612-16	Skruv	Screw		
	15	1	1	1	1134-0325-04	Spännarm	Tension arm		
	16	1	1	1	9959-0816-16	Skruv	Screw		
	17	1	1	1	9699-0109-02	Planbricka	Flat washer		
	18	1	1	1	9739-0831-22	Mutter	Nut		
	19	1	1	1	1134-0698-00	Spännrulle kpl.	Tension roller assy		
	20	1	1	1	9549-0017-00	• Kullager	• Ball bearing		
	21	1	1	1	9651-0035-04	• Låsring	• Lock ring		
	22	1	1	1	1131-1684-00	Distans	Spacer		
	23	1	1	1	9945-0816-16	Skruv	Screw		
	24	1	1	1	9699-0056-02	Planbricka	Flat washer		
	25	1	1	1	1134-0327-00	Kåpfjäder	Spring		
	26	1	1	1	1134-5415-01	Fjäderfäste	Spring attachment		
	27	1	1	1	9959-0816-16	Skruv	Screw		
	28	1	1	1	9739-0831-22	Mutter	Nut		
	29	1	1		1134-9104-01	Kilrem	V- belt		= 9585-0152-01
X	29			1	1134-9108-01	Kilrem	V- belt		= 9585-0159-01
	30	1	1	1	1134-9041-01	Kilrem	V- belt		= 9585-0067-00
	31	1	1	1	1134-6103-01	Slitskydd	Wear protection		
X	41	2	2	2	1134-5831-01	Lagerbox kpl.	Bearing box assy		
X	42	1	1	1	1134-5831-02	Lagerbox kpl.	Bearing box assy		
	43	12	12	12	9945-0825-16	Skruv	Screw		
X	44	1	1	1	1134-9124-01	Knivsats	Blade kit		Sats 3 st/kit of 3
	45	3	3	3	9997-1060-12	Skruv	Screw		
X	46	3	3	3	1134-6211-01	Knivbricka	Blade washer		



Utgåva Issue 2007- 11		Bildnr Picture No 1829B		PARK KLIPPAGGREGAT 125 COMBI PRO RAM		PARK MOWER DECK 125 COMBI PRO FRAME		Sida Page 192	
Pos. Fig.	Antal/Quantity			Art nr Part No	Benämning	Description	Sats Kit	Anmärkning Notes	
	2936 -20 2937 -20	2938 -40 2941 -40							
	1	2	2	1134-5884-01	Pivothjul	Pivot wheel		Sats 4 st/kit of 4	
	2	1	1	1134-9026-01	Lagerbussning	Bearing bush kit			
	3	2	2	1134-5677-01	Distans	Spacer			
	4	2	2	9501-0500-00	Smörjnippel	Grease joint			
	5	2	2	9997-1090-12	Skruv	Screw			
	7	4	4	9699-0030-02	Planbricka	Flat washer			
	8	2	2	9747-1031-02	Låsmutter	Lock nut			
	15	1	1	1134-6141-01	Aggregatsarm- vä	Mower deck arm- LH			
	16	1	1	1134-6141-02	Aggregatsarm- hö	Mower deck arm- RH			
	19	2	2	9959-0816-16	Skruv	Screw			
	20	2	2	9699-0056-02	Planbricka	Flat washer			
	26	2	2	9598-2001-02	Låsnål	Spring pin			
	27	1	1	1134-5843-01	Ram	Frame			
	29	2	2	1134-0240-00	Ansatsskruv	Shoulder screw			
	30	4	4	9747-0831-02	Mutter	Lock nut			
X	34	1	1	1134-4623-01	S- krok	S- hook			
X	35	1	1	1134-6365-02	Lyftfjäder	Lift spring			
X	36	1	1	1134-6368-03	Kedja	Chain			
	37	2	2	1134-5528-01	Karbinhake	Snap hook			
	38	1	1	1134-2629-01	Lyftlänk	Lift link			
X	39	1	1	1134-6368-01	Kedja	Chain			
	40	2	2	9997-0825-16	Skruv	Screw			
	41	2	2	1134-5626-01	Distans	Spacer			
	42	2	2	1134-5863-01	Distans	Spacer			
	43	2	2	9699-0104-02	Bricka	Washer			
X	99	1	1	8211-7001-70	Bruksanvisning	Owner's manual	Ej ill/not ill.		

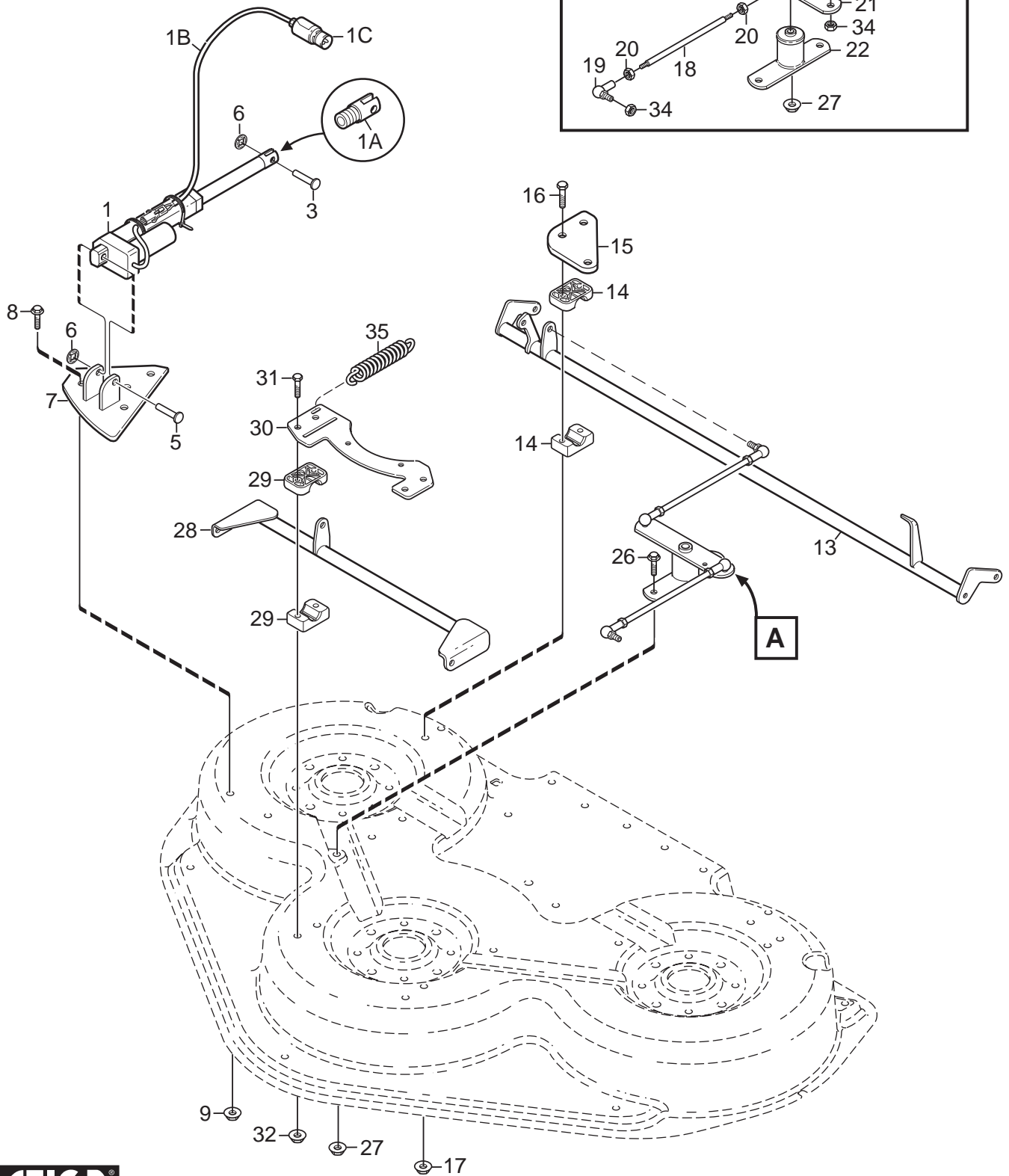


Utgåva Issue 2007- 11		Bildnr Picture No 1830A		PARK KLIPPAGGREGAT 125 COMBI PRO KÅPA		PARK MOWER DECK 125 COMBI PRO CASING		Sida Page 194	
Pos. Fig.	Antal/Quantity			Art nr Part No	Benämning	Description	Sats Kit	Anmärkning Notes	
	2936 -20 2937 -20	2938 -40 2941 -40							
X 1	1	1		1134-5848-01	Kåpa	Casing		Inkl. pos 24	
2	1	1		1134-6110-03	Ram-grå.....	Frame- grey			
4	2	2		1134-3434-01	Rulle	Roller			
5	2	2		1134-0041-04	Hylsa	Bushing.....			
6	2	2		9897-1060-12	Skruv	Screw			
7	2	2		9739-1031-22	Mutter.....	Nut			
8	1	1		1134-5853-03	Slitskydd- vä	Wear protection- LH			
9	1	1		1134-5853-04	Slitskydd- hö.....	Wear protection- RH.....			
11	5	5		9959-0816-16	Skruv	Screw			
12	1	1		9739-0831-22	Mutter.....	Nut			
13	2	2		9897-0640-12	Skruv	Screw			
14	2	2		9699-0060-02	Planbricka.....	Flat washer.....			
15	2	2		9747-0631-02	Låsmutter	Lock nut			
16	1	1		1134-5885-01	Gummiskydd	Rubber flap			
17	2	2		9959-0816-16	Skruv	Screw			
18	4	4		1134-4185-01	Ansatsbricka.....	Flange washer			
19	2	2		9739-0831-22	Mutter.....	Nut			
20	1	1		1134-5409-02	Mulcherplugg (svart).....	Mulch plug (black)			
21	1	1		1117-3194-01	Lås ratt	Locking knob			
22	1	1		9997-0840-16	Skruv	Screw			
23	1	1		9675-0012-02	Starlock	Locking washer			
24	1	1		1134-5595-01	• Nitmutter	• Riveting nut.....			
25	1	1		1134-5553-02	Ledskena- rak (svart).....	Guide plate- straight			
26	1	1		1134-5554-02	Ledskena- böjd (svart).....	Guide plate- curved			
27	4	4		9959-0816-16	Skruv	Screw			
28	4	4		9739-0831-22	Mutter.....	Nut			
99	1	1		1134-5594-01	Dekalsats	Label kit			

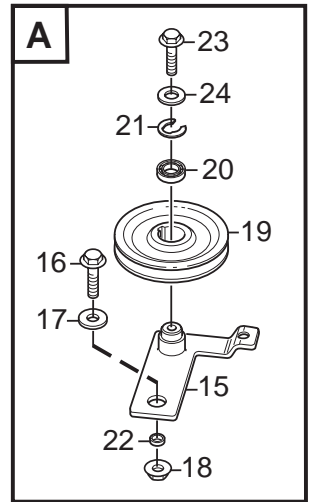
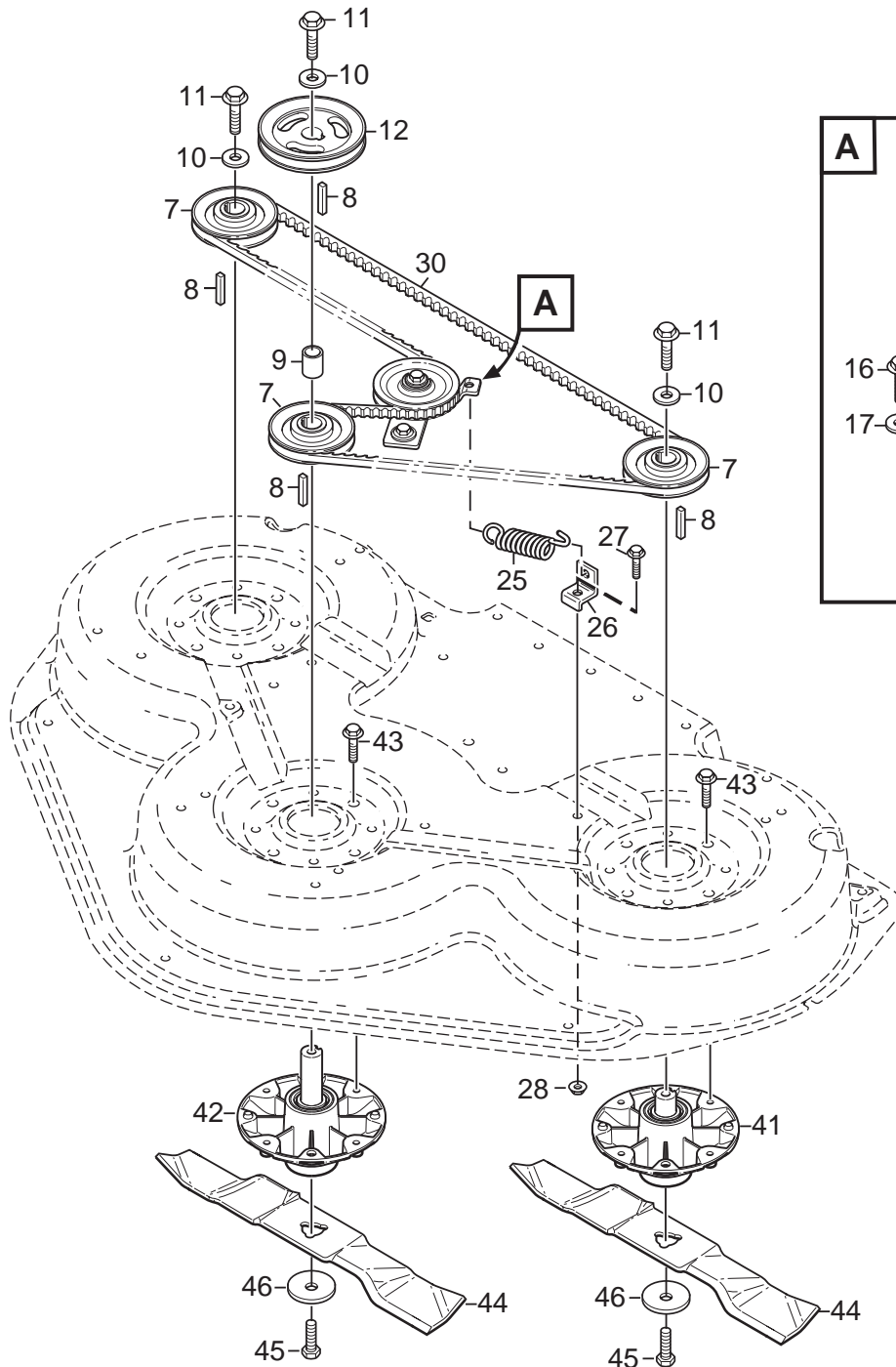
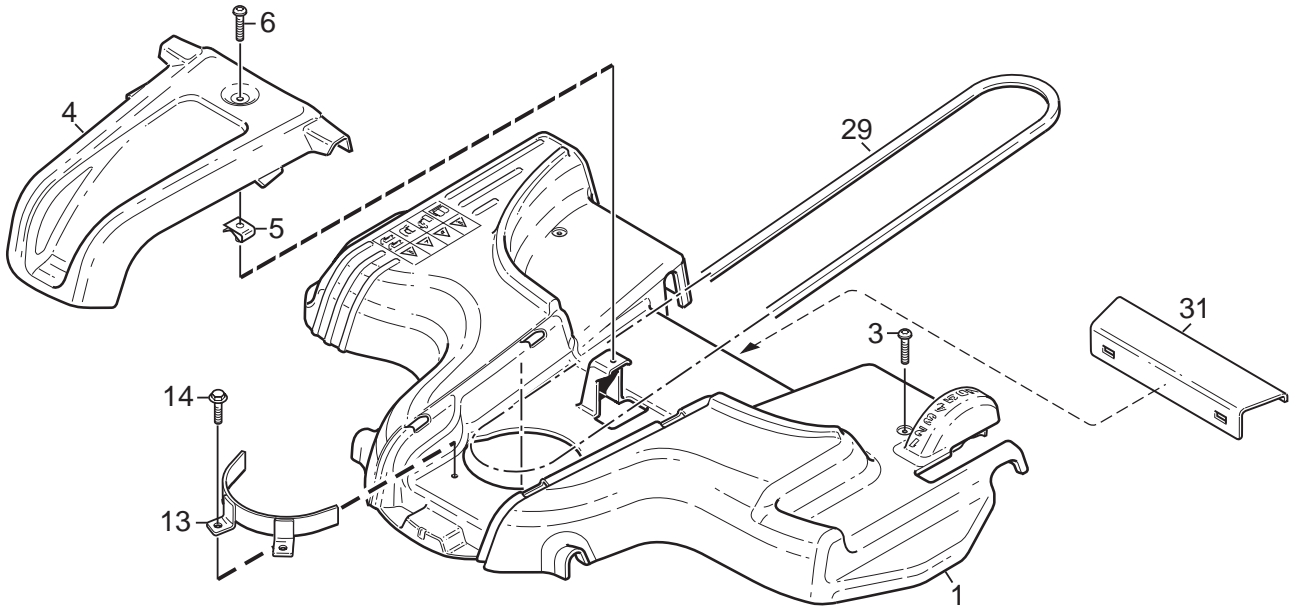


Utgåva Issue 2007- 11		Bildnr Picture No 1675B		PARK KLIPPAGGREGAT 125 COMBI PRO REGLAGE		PARK MOWER DECK 125 COMBI PRO CONTROLS		Sida Page 196	
Pos. Fig.	Antal/Quantity				Art nr Part No	Benämning	Description	Sats Kit	Anmärkning Notes
	2936 -20	2938 -40							
1	1				1134-5447-01	Höjdinst.segment	Height adj. quadrant.....		
2	2				9959-0816-16	Skruv	Screw		
3	2				9739-0831-22	Mutter.....	Nut		
4	1				1134-5503-01	Handtag	Handle.....		
5	1				1134-5443-01	Tryckknapp	Push button		
6	1				1134-5445-01	Fjäder.....	Spring		
7	1				1134-5444-01	Tryckstång	Push rod		
8	1				1134-5440-01	Spärr	Catch		
9	1				9997-0840-16	Skruv	Screw		
10	1				1134-1565-13	Distans	Spacer		
11	1				9699-0028-02	Planbricka.....	Flat washer.....		
12	1				9747-0831-02	Mutter.....	Lock nut.....		
13	1				1134-6392-01	Bakaxel	Rear axle		
14	4				1134-5469-01	Lagerhalva	Bearing half		
15	2				1134-5471-01	Överfall- bakre	Bearing plate- rear		
16	4				9997-0845-12	Skruv	Screw		
17	4				9739-0831-22	Mutter.....	Nut		
18	2				1134-5473-01	Tryckstång	Push rod		
19	4				9570-0002-00	Vinkellänk	Elbow link		
20	4				9739-0831-22	Mutter.....	Nut		
21	1				1134-5855-01	Länkarm	Pivot arm		
22	1				1134-5858-01	Pivotfäste.....	Pivot shaft.....		
23	1				9997-0880-16	Skruv	Screw		
24	1				1134-5127-01	Bricka	Washer		
26	2				9959-0816-16	Skruv	Screw		
27	3				9739-0831-22	Mutter.....	Nut		
28	1				1134-5427-01	Framaxel.....	Front axle		
29	4				1134-5469-01	Lagerhalva	Bearing half		
30	1				1134-5846-01	Överfall- främre.....	Bearing plate- front		
31	4				9997-0845-12	Skruv	Screw		
32	4				9739-0831-22	Mutter.....	Nut		
33	1				9699-0087-02	Planbricka.....	Flat washer.....		
34	4				9747-0831-02	Mutter.....	Lock nut.....		

X



Utgåva Issue 2007- 11		Bildnr Picture No 1676D		PARK KLIPPAGGREGAT 125 COMBI PRO EL. REGLAGE		PARK MOWER DECK 125 COMBI PRO EL. CONTROL		Sida Page 198	
Pos. Fig.	Antal/Quantity				Art nr Part No	Benämning	Description	Sats Kit	Anmärkning Notes
	2937 -20	2941 -40							
X	1	1			1134-6416-01	Ställdon	Actuator		
X	1A	1			1134-6373-01	• Kolvstångsända	• Rod end		
X	1B	1			1134-6418-01	• Kabel.....	• Cable		
X	1C	1			1134-6182-01	• • Hankontakt.....	• • Male terminal		
X	3	1			9646-0098-22	Nit.....	Rivet.....		
X	5	1			9646-0105-22	Nit.....	Rivet.....		
	6	2			9675-0012-02	Starlock	Locking washer		
	7	1			1134-5981-01	Fäste	Bracket		
	8	2			9959-0816-16	Skruv	Screw		
	9	2			9739-0831-22	Mutter.....	Nut		
X	13	1			1134-6393-01	Bakaxel	Rear axle		
	14	4			1134-5469-01	Lagerhalva	Bearing half		
	15	2			1134-5471-01	Överfall- bakre	Bearing plate- rear		
	16	4			9997-0845-12	Skruv	Screw		
	17	4			9739-0831-22	Mutter.....	Nut		
	18	2			1134-5473-01	Tryckstång	Push rod		
	19	4			9570-0002-00	Vinkellänk	Elbow link		
	20	4			9739-0831-22	Mutter.....	Nut		
	21	1			1134-5855-01	Länkarm	Pivot arm		
	22	1			1134-5858-01	Pivotfäste.....	Pivot shaft		
	23	1			9997-0880-16	Skruv	Screw		
	24	1			1134-5127-01	Bricka	Washer		
	26	2			9959-0816-16	Skruv	Screw		
	27	3			9739-0831-22	Mutter.....	Nut		
	28	1			1134-5427-01	Framaxel.....	Front axle		
	29	4			1134-5469-01	Lagerhalva	Bearing half		
	30	1			1134-5846-01	Överfall- främre.....	Bearing plate- front		
	31	4			9997-0845-12	Skruv	Screw		
	32	4			9739-0831-22	Mutter.....	Nut		
	34	4			9747-0831-02	Mutter.....	Lock nut.....		
	35	1			1134-5847-01	Fjäder.....	Spring		



Utgåva Issue 2007- 11		Bildnr Picture No 2195				PARK KLIPPAGGREGAT 125 COMBI PRO TRANSMISSION		PARK MOWER DECK 125 COMBI PRO TRANSMISSION		Sida Page 200	
Pos. Fig.	Antal/Quantity				Art nr Part No	Benämning	Description	Sats Kit	Anmärkning Notes		
	2936 -20	2937 -20	2938 -40	2941 -40							
	1		1		1134-5984-01	Transmissionskåpa	Transmission cover				
	1		1	1	1134-5986-01	Transmissionskåpa	Transmission cover				
	3	2	2	2	9893-0616-16	Skruv	Screw				
	4	1	1	1	1134-5987-01	Täckkåpa	Cover				
	5	1	1	1	1134-4176-01	Clips	Clips				
	6	1	1	1	9893-0616-16	Skruv	Screw				
	7	3	3	3	1134-5404-01	Remskiva	Belt pulley				
	8	4	4	4	9600-0171-01	Plattkil	Flat key		6 x 6 x 25 mm		
	9	1	1	1	1134-5400-03	Distans	Spacer		L = 20 mm		
	10	3	3	3	1134-5406-01	Bricka	Washer				
	11	3	3	3	9997-1060-12	Skruv	Screw				
	12	1	1	1	1134-5405-01	Remskiva	Belt pulley		Ø = 150 mm		
	13	1	1	1	1134-6017-01	Remstyrning	Belt guide				
	14	2	2	2	9942-0612-16	Skruv	Screw				
	15	1	1	1	1134-0325-04	Spännarm	Tension arm				
	16	1	1	1	9959-0816-16	Skruv	Screw				
	17	1	1	1	9699-0109-02	Planbricka	Flat washer				
	18	1	1	1	9739-0831-22	Mutter	Nut				
	19	1	1	1	1134-0698-00	Spännrulle kpl.	Tension roller assy				
	20	1	1	1	9549-0017-00	• Kullager	• Ball bearing				
	21	1	1	1	9651-0035-04	• Låsring	• Lock ring				
	22	1	1	1	1131-1684-00	Distans	Spacer				
	23	1	1	1	9945-0816-16	Skruv	Screw				
	24	1	1	1	9699-0056-02	Planbricka	Flat washer				
	25	1	1	1	1134-0327-00	Kåpfjäder	Spring				
	26	1	1	1	1134-5415-01	Fjäderfäste	Spring attachment				
	27	1	1	1	9959-0816-16	Skruv	Screw				
	28	1	1	1	9739-0831-22	Mutter	Nut				
	29	1	1		1134-9088-01	Kilrem	V- belt		= 9585-0143-01		
X	29			1	1134-9103-01	Kilrem	V- belt		= 9585-0156-01		
	30	1	1	1	1134-9087-01	Kilrem	V- belt		= 9585-0142-01		
	31	1	1	1	1134-6103-01	Slitskydd	Wear protection				
X	41	2	2	2	1134-5831-01	Lagerbox kpl.	Bearing box assy				
X	42	1	1	1	1134-5831-02	Lagerbox kpl.	Bearing box assy				
	43	12	12	12	9945-0825-16	Skruv	Screw				
X	44	1	1	1	1134-9125-01	Knivsats	Blade kit		Sats 3 st/kit of 3		
	45	3	3	3	9997-1060-12	Skruv	Screw				
X	46	3	3	3	1134-6211-01	Knivbricka	Blade washer				