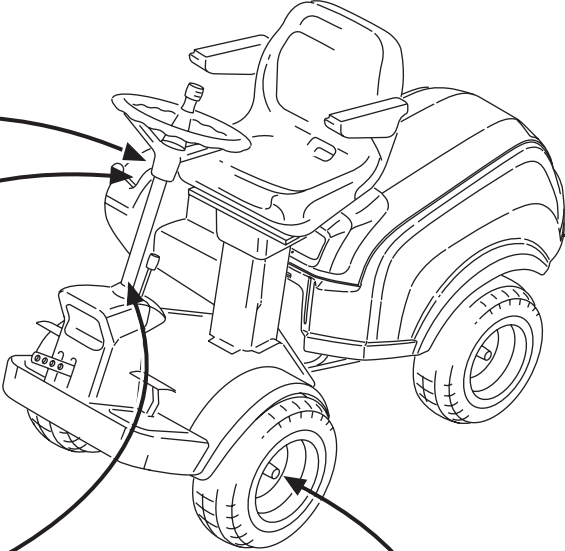
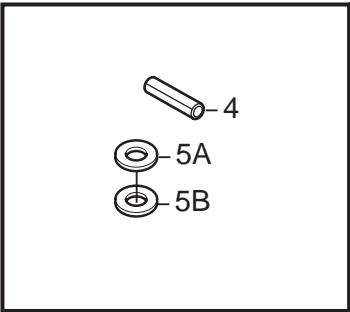
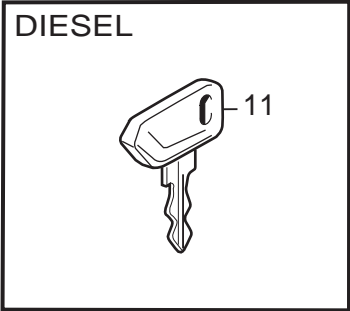
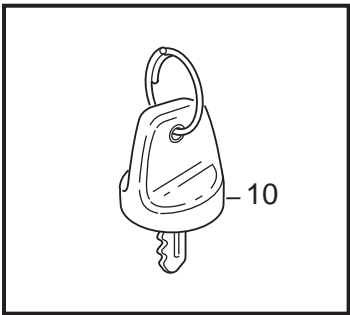
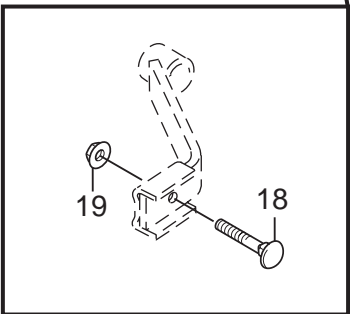
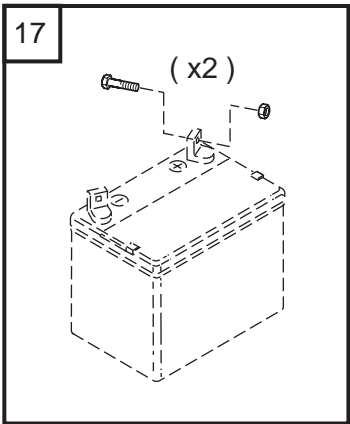
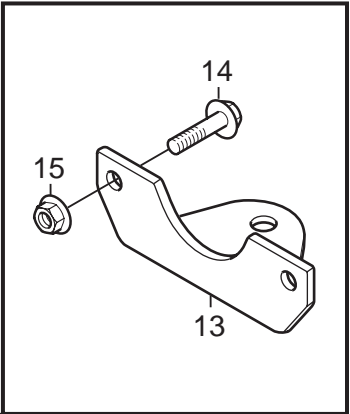
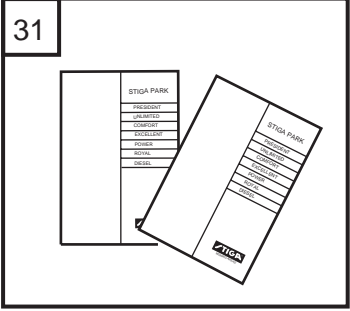
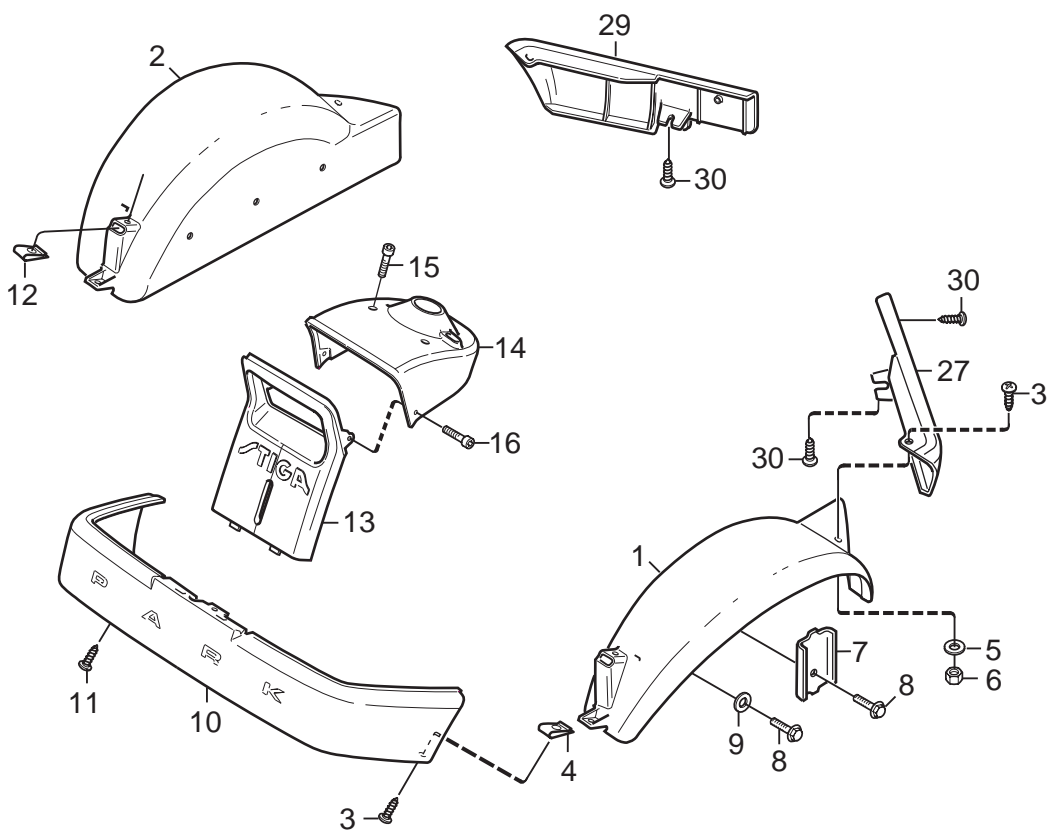
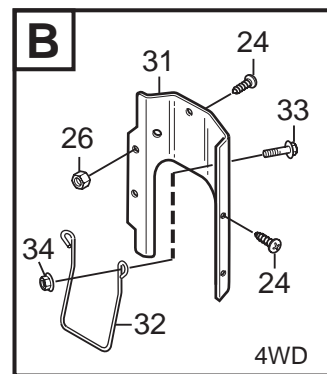
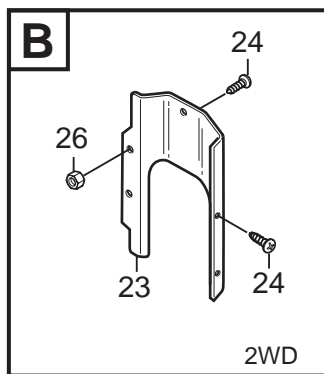
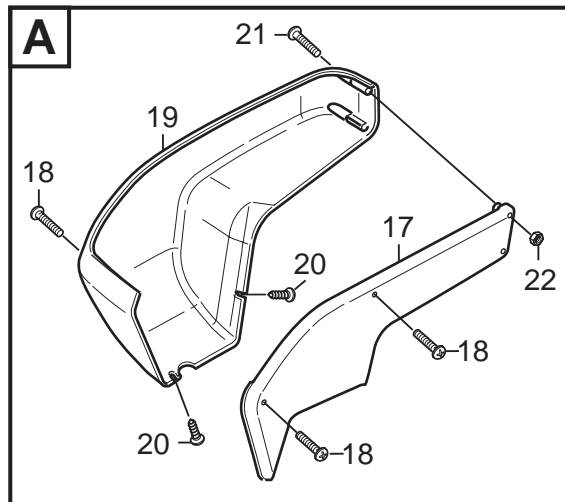
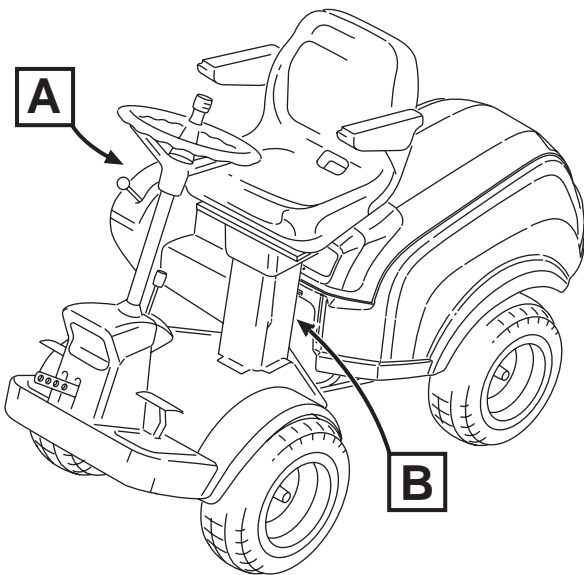


Genuine Spare Parts

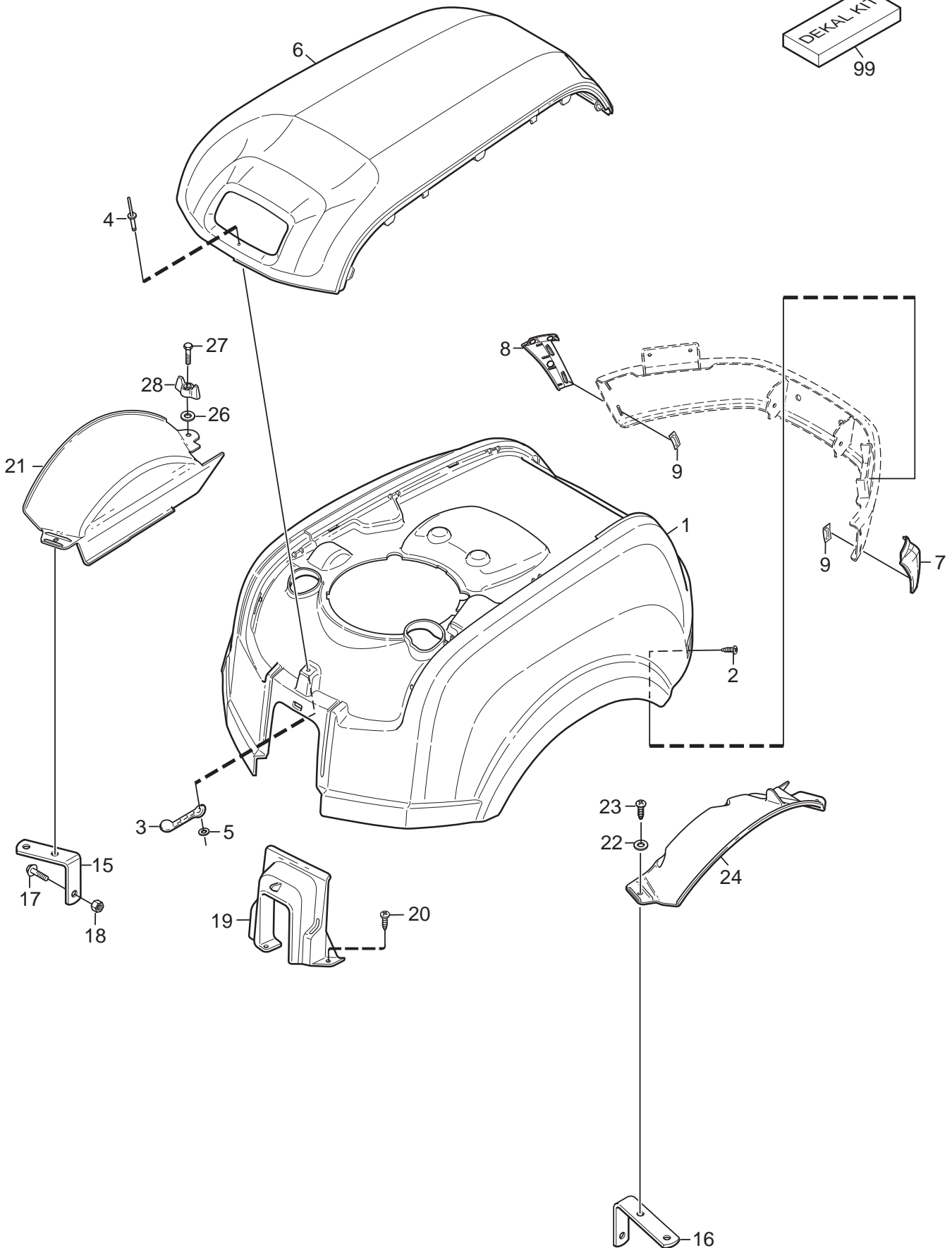




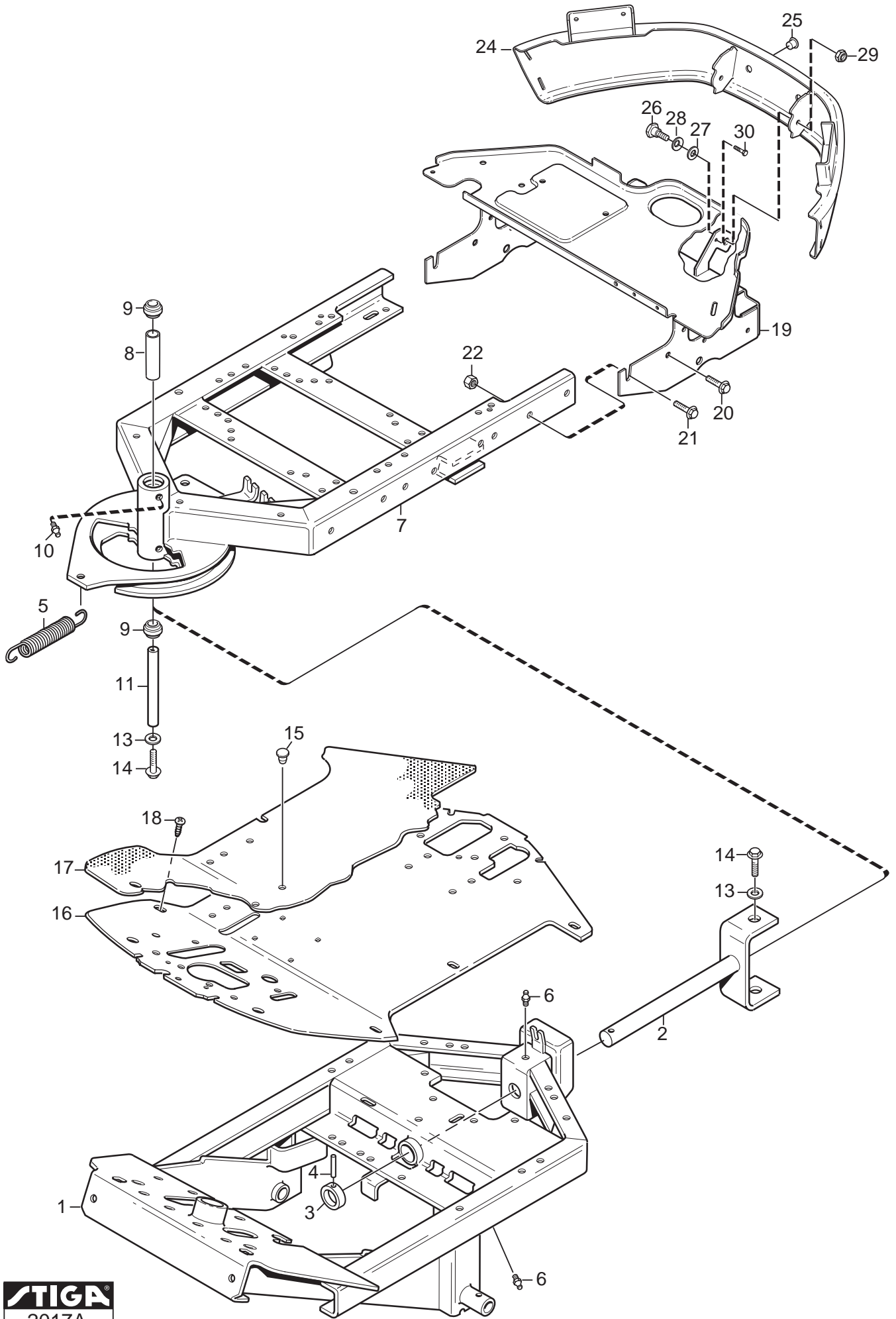
| Utgåva Issue 2007- 11 | | Bildnr Picture No 2014A | | | | PARK MONTERINGSDETALJER | | PARK ASSEMBLY PARTS | | Sida Page 48 | |
|-----------------------------|----------------------|-------------------------------|--------------|----------------------|-------------------|--|--------------------------|------------------------|-----------------------|--------------------|--|
| Pos. Fig. | Antal/Quantity | | | | Art nr Part No | Benämning | Description | Sats Kit | Anmärkning Notes | | |
| | 6182 6183 6185 | 6184 6187 6189 | 6180 6181 | 6190 6191 6192 | | | | | | | |
| | 4 | 1 | 1 | 1 | 1 | 9595-0262-00 Spännstift | Locating pin | | | | |
| | 5A | 1 | 1 | 1 | 1 | 9699-0103-02 Shims | Flat washer | | 0.5 mm | | |
| | 5B | 1 | 1 | 1 | 1 | 9699-0114-02 Shims | Flat washer | | 1.0 mm | | |
| | 10 | 2 | 2 | | 2 | 1134-4734-01 Tändningsnyckel..... | Ignition key | | | | |
| | 11 | | | 2 | | 1134-4909-01 Tändningsnyckel..... | Ignition key | | | | |
| | 13 | 1 | 1 | 1 | 1 | 1134-5512-01 Dragplåt..... | Towing plate..... | | | | |
| | 14 | 2 | 2 | 2 | 2 | 9959-0820-16 Skruv..... | Screw..... | | | | |
| | 15 | 2 | 2 | 2 | 2 | 9739-0831-22 Mutter..... | Nut | | | | |
| | 17 | 1 | 1 | 1 | 1 | 1134-6113-02 Batteriskruvar | Battery screws | | | | |
| | 18 | 2 | 2 | 2 | 2 | 9898-1035-16 Skruv..... | Screw..... | | | | |
| | 19 | 2 | 2 | 2 | 2 | 9739-1031-22 Mutter..... | Nut | | | | |
| X | 31 | 1 | | | | 8211-0003-70 Bruksanvisning..... | Owner's manual | | | | |
| X | 31 | 1 | | | | 8211-0004-70 Bruksanvisning..... | Owner's manual | | | | |
| X | 31 | | | 1 | | 8211-0007-70 Bruksanvisning..... | Owner's manual | | | | |
| X | 31 | | | 1 | | 8211-0008-70 Bruksanvisning..... | Owner's manual | | | | |
| X | 31 | | 1 | | | 8211-0014-70 Bruksanvisning..... | Owner's manual | | | | |
| X | 31 | | 1 | | | 8211-0015-70 Bruksanvisning..... | Owner's manual | | | | |
| X | 31 | | | 1 | | 8211-0017-70 Bruksanvisning..... | Owner's manual | | 6190-03, 6191-13 (IT) | | |
| X | 31 | | | 1 | | 8211-0063-70 Bruksanvisning..... | Owner's manual | | 6192-23 (CZ) | | |
| X | 31 | | 1 | | | 8211-0602-70 Monteringsanvisning..... | Assy instructions | | | | |
| X | 31 | 1 | | 1 | | 8211-0604-70 Monteringsanvisning..... | Assy instructions | | | | |
| X | 31 | 1 | 1 | 1 | | 8211-0701-70 Säkerhetsföreskrifter | Safety regulations | | | | |
| X | 31 | 1 | 1 | | | 8211-0901-70 Servicebok..... | Service book | | | | |
| X | 31 | | | 1 | | 8211-0902-70 Servicebok..... | Service book | | | | |
| X | 31 | 1 | 1 | 1 | | 8211-0950-70 Garantikort..... | Warranty card | | | | |



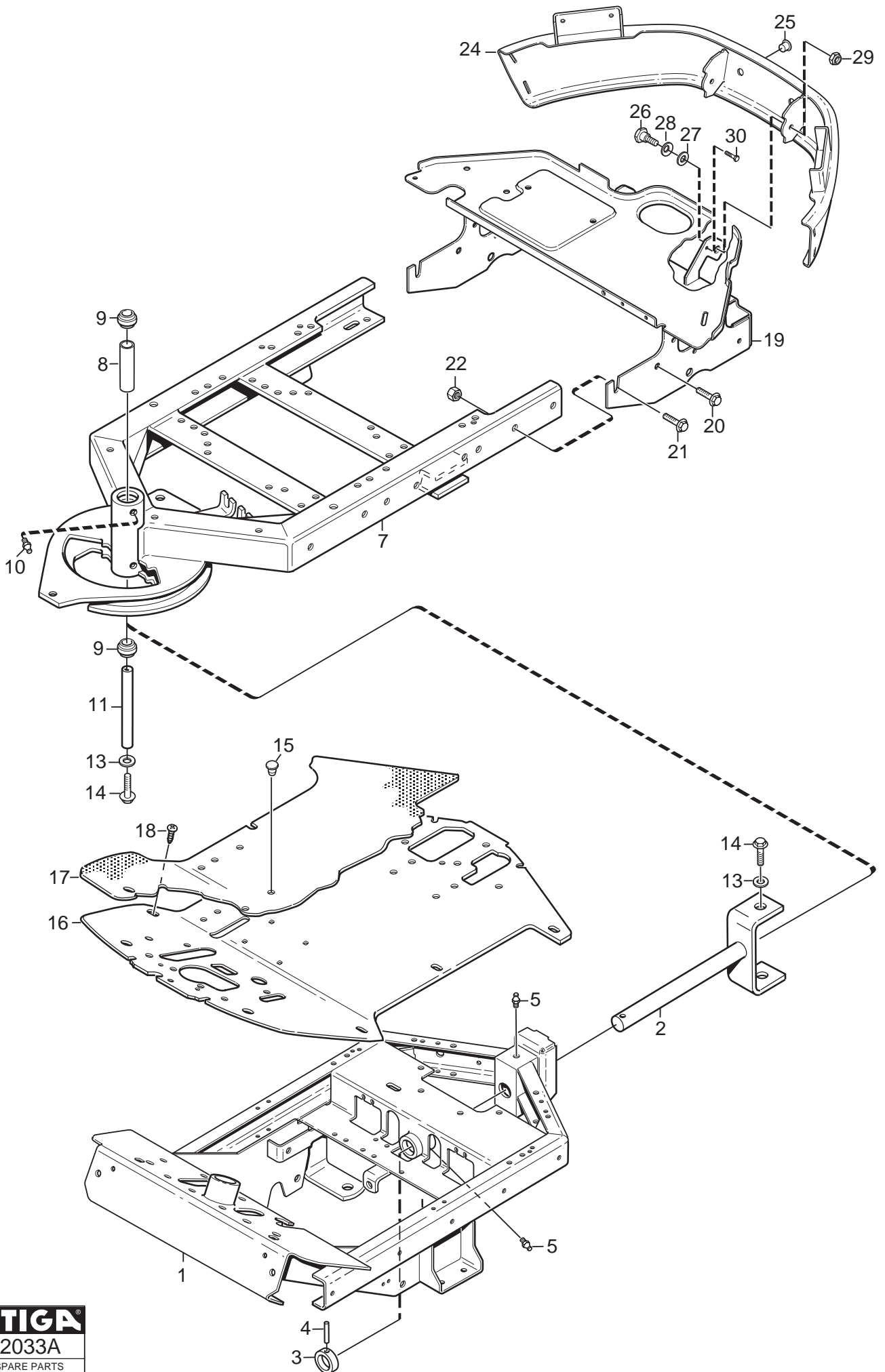
| Utgåva Issue 2007- 11 | | Bildnr Picture No 2015A | | | | PARK KAROSS- FRAM | | PARK BODY WORK- FRONT | | Sida Page 50 | |
|-----------------------------|------------------------------|-------------------------------|--------------|--------------|-------------------|----------------------------|-----------------------------|--------------------------|---------------------|--------------------|--|
| Pos. Fig. | Antal/Quantity | | | | Art nr Part No | Benämning | Description | Sats Kit | Anmärkning Notes | | |
| | 6182 6184 6185 6187 | 6183 6189 6190 | 6191 6192 | 6180 6181 | | | | | | | |
| 1 | 1 | 1 | 1 | 1 | 1134-3943-01 | Skärm- vä, gul | Mud guard- LH, yell..... | | | | |
| 2 | 1 | 1 | 1 | 1 | 1134-3943-02 | Skärm- hö, gul | Mud guard- RH, yell. | | | | |
| 3 | 4 | 4 | 4 | 4 | 9893-0616-16 | Skruv | Screw | | | | |
| 4 | 4 | 4 | 4 | 4 | 1134-4176-01 | Clips | Clips | | | | |
| 5 | 2 | 2 | 2 | 2 | 9699-0060-02 | Planbricka..... | Flat washer..... | | | | |
| 6 | 2 | 2 | 2 | 2 | 9747-0631-02 | Låsmutter | Lock nut..... | | | | |
| 7 | 2 | 2 | 2 | 2 | 1134-0225-00 | Stödplåt | Support plate | | | | |
| 8 | 6 | 6 | 6 | 6 | 9945-0816-16 | Skruv | Screw | | | | |
| 9 | 4 | 4 | 4 | 4 | 9699-0056-02 | Planbricka..... | Flat washer..... | | | | |
| 10 | 1 | 1 | 1 | 1 | 1134-4220-02 | Stötfångare- grå..... | Bumper- grey | | | | |
| 11 | 6 | 6 | 6 | 6 | 9893-0616-16 | Skruv | Screw | | | | |
| 12 | 2 | 2 | 2 | 2 | 1134-4176-01 | Clips | Clips | | | | |
| 13 | 1 | 1 | 1 | 1 | 1134-4216-05 | Frontdekor- gul | Front plate- yellow..... | | | | |
| 14 | 1 | 1 | 1 | 1 | 1134-3984-03 | Frontdekor övre- gul | Front plate upper- yel..... | | | | |
| 15 | 2 | 2 | 2 | 2 | 9946-0525-16 | Skruv | Screw | | | | |
| 16 | 2 | 2 | 2 | 2 | 9840-8019-16 | Skruv | Screw | | | | |
| 17 | 1 | 1 | 1 | 1 | 1134-4360-01 | Kåpa- inre | Cover- inner | | | | |
| 18 | 3 | 3 | 3 | 3 | 9946-0525-16 | Skruv | Screw | | | | |
| 19 | 1 | 1 | 1 | 1 | 1134-3979-01 | Kåpa- yttre | Cover- outer | | | | |
| 20 | 2 | 2 | 2 | 2 | 9840-8019-16 | Skruv | Screw | | | | |
| 21 | 2 | 2 | 2 | 2 | 9950-0570-12 | Skruv | Screw | | | | |
| 22 | 2 | 2 | 2 | 2 | 9747-0531-02 | Mutter..... | Nut | | | | |
| 23 | 1 | 1 | | 1 | 1134-5694-01 | Bakstycke | Rear plate..... | | 2WD | | |
| 24 | 4 | 4 | 4 | 4 | 9893-0616-16 | Skruv | Screw | | | | |
| 26 | 2 | 2 | 2 | 2 | 9739-0631-22 | Mutter..... | Nut | | | | |
| 27 | 1 | 1 | 1 | 1 | 1134-3970-05 | Kantlist- vä, grå..... | Moulding- LH, grey | | | | |
| 29 | 1 | 1 | 1 | 1 | 1134-3970-02 | Kantlist- hö, grå | Moulding- RH, grey | | | | |
| 30 | 4 | 4 | 4 | 4 | 9893-0616-16 | Skruv | Screw | | | | |
| X 31 | 1 | 1 | | 1 | 1134-6461-01 | Bakstycke | Rear plate..... | | 4WD | | |
| X 32 | 1 | 1 | | 1 | 1134-6460-01 | Skyddsbygel | Protective loop..... | | 4WD | | |
| 33 | 2 | 2 | | 2 | 9959-0820-16 | Skruv | Screw | | | | |
| 34 | 2 | 2 | | 2 | 9739-0831-22 | Mutter..... | Nut | | | | |



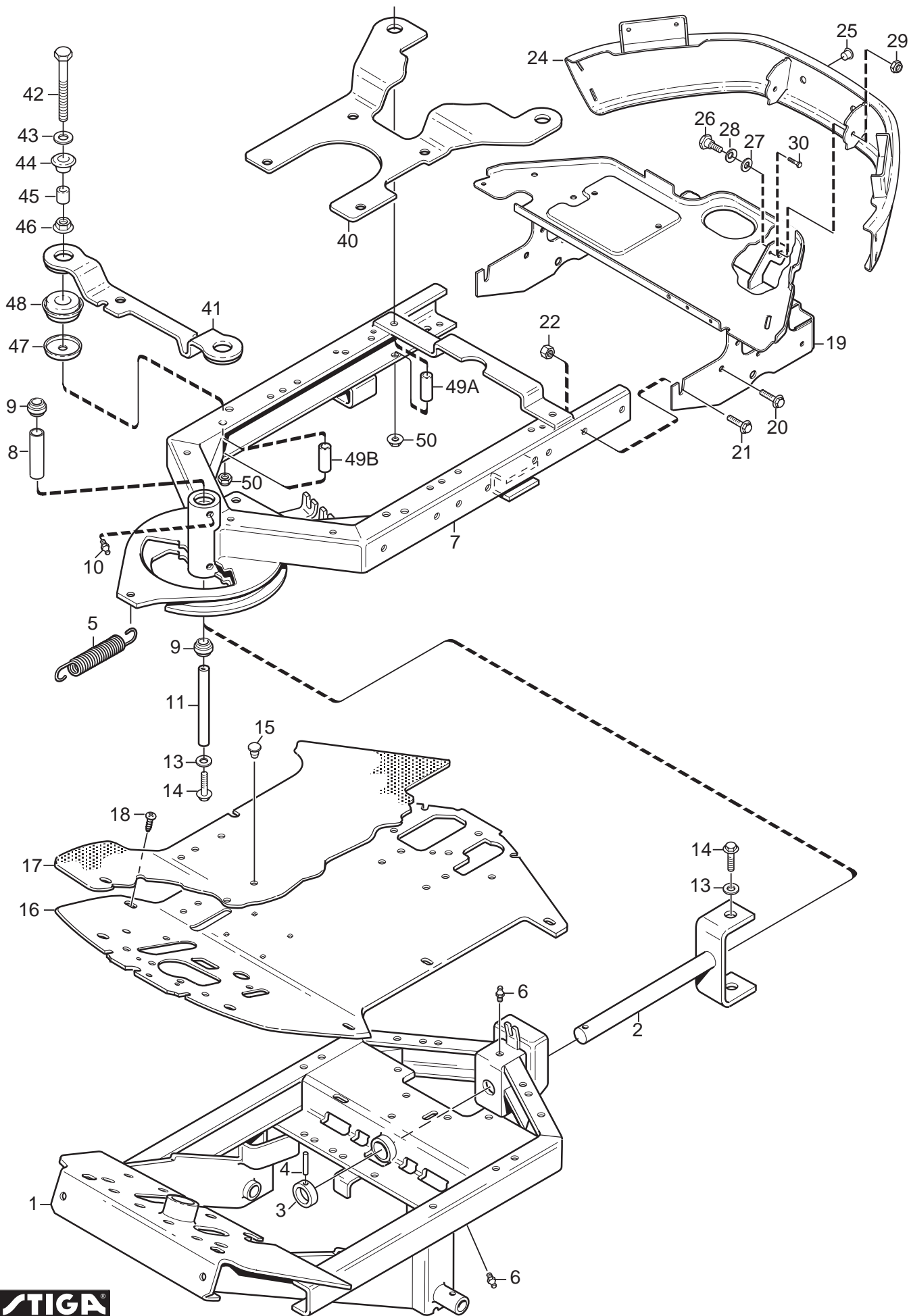
| Utgåva Issue 2007- 11 | | Bildnr Picture No 2016A | | | | PARK KAROSS- BAK | | PARK BODY WORK- REAR | | Sida Page 52 | |
|-----------------------------|------------------------------|-------------------------------|--------------|--------------|-------------------|------------------------|---------------------------|-------------------------|---------------------|--------------------|--|
| Pos. Fig. | Antal/Quantity | | | | Art nr Part No | Benämning | Description | Sats Kit | Anmärkning Notes | | |
| | 6182 6184 6185 6187 | 6183 6189 6190 | 6191 6192 | 6180 6181 | | | | | | | |
| | 1 | 1 | 1 | 1 | 1134- 6025- 01 | Motorhuv..... | Engine hood | | | | |
| | 2 | 4 | 4 | 4 | 9893- 0616- 16 | Skruv | Screw | | | | |
| | 3 | 1 | 1 | 1 | 1134- 9028- 01 | Gummistropp- sats..... | Rubber strap kit | | Sats 3 st/kit of 3 | | |
| | 4 | 1 | 1 | 1 | 9632- 0513- 00 | Popnit | Pop rivet | | | | |
| | 5 | 1 | 1 | 1 | 9699- 0120- 02 | Bricka | Washer | | | | |
| | 6 | 1 | 1 | 1 | 1134- 6026- 01 | Motorlucka | Engine cover | | | | |
| | 7 | 1 | 1 | 1 | 1134- 6027- 01 | Ändavslut- vä | Bumper end- LH | | | | |
| | 8 | 1 | 1 | 1 | 1134- 6027- 02 | Ändavslut- hö | Bumper end- RH | | | | |
| X | 9 | 4 | 4 | 4 | 1134- 6310- 01 | Clips | Clips | | | | |
| | 15 | | 1 | 1 | 1134- 4012- 03 | Stödkonsol- hö | Support- RH | | | | |
| | 16 | | 1 | 1 | 1134- 4012- 04 | Stödkonsol- vä | Support- LH | | | | |
| | 17 | | 1 | 1 | 9959- 0820- 16 | Skruv | Screw | | | | |
| | 18 | | 1 | 1 | 9739- 0831- 22 | Mutter | Nut | | | | |
| | 19 | 1 | 1 | 1 | 1134- 6241- 01 | Huvstöd | Hood support | | | | |
| | 20 | 3 | 3 | 3 | 9893- 0616- 16 | Skruv | Screw | | | | |
| | 21 | | 1 | 1 | 1134- 4800- 01 | Innerskärm- hö | Inner mud guard- RH | | | | |
| | 22 | | 4 | 4 | 9699- 0060- 02 | Planbricka..... | Flat washer..... | | | | |
| | 23 | | 4 | 4 | 9893- 0616- 16 | Skruv | Screw | | | | |
| | 24 | | 1 | 1 | 1134- 4801- 01 | Innerskärm- vä | Inner mud guard- LH..... | | | | |
| | 26 | | | 2 | 9699- 0060- 02 | Planbricka..... | Flat washer..... | | | | |
| | 27 | | | 1 | 9997- 0625- 16 | Skruv | Screw | | | | |
| | 28 | | | 1 | 1134- 4481- 02 | Vingmutter..... | Wing nut | | | | |
| | 99 | | | 1 | 1134- 4593- 08 | Dekalsats | Decal kit | | Diesel | | |
| X | 99 | 1 | | | 1134- 6443- 01 | Dekalsats | Decal kit | | Comfort | | |
| X | 99 | | 1 | | 1134- 6443- 02 | Dekalsats | Decal kit | | Royal | | |
| X | 99 | 1 | | | 1134- 6443- 03 | Dekalsats | Decal kit | | President | | |
| X | 99 | | 1 | | 1134- 6443- 04 | Dekalsats | Decal kit | | Excellent | | |
| X | 99 | 1 | 1 | | 1134- 6443- 05 | Dekalsats | Decal kit | | Unlimited | | |
| X | 99 | 1 | | | 1134- 6443- 06 | Dekalsats | Decal kit | | Power | | |
| X | 99 | 1 | | | 1134- 6443- 07 | Dekalsats | Decal kit | | Prestige | | |



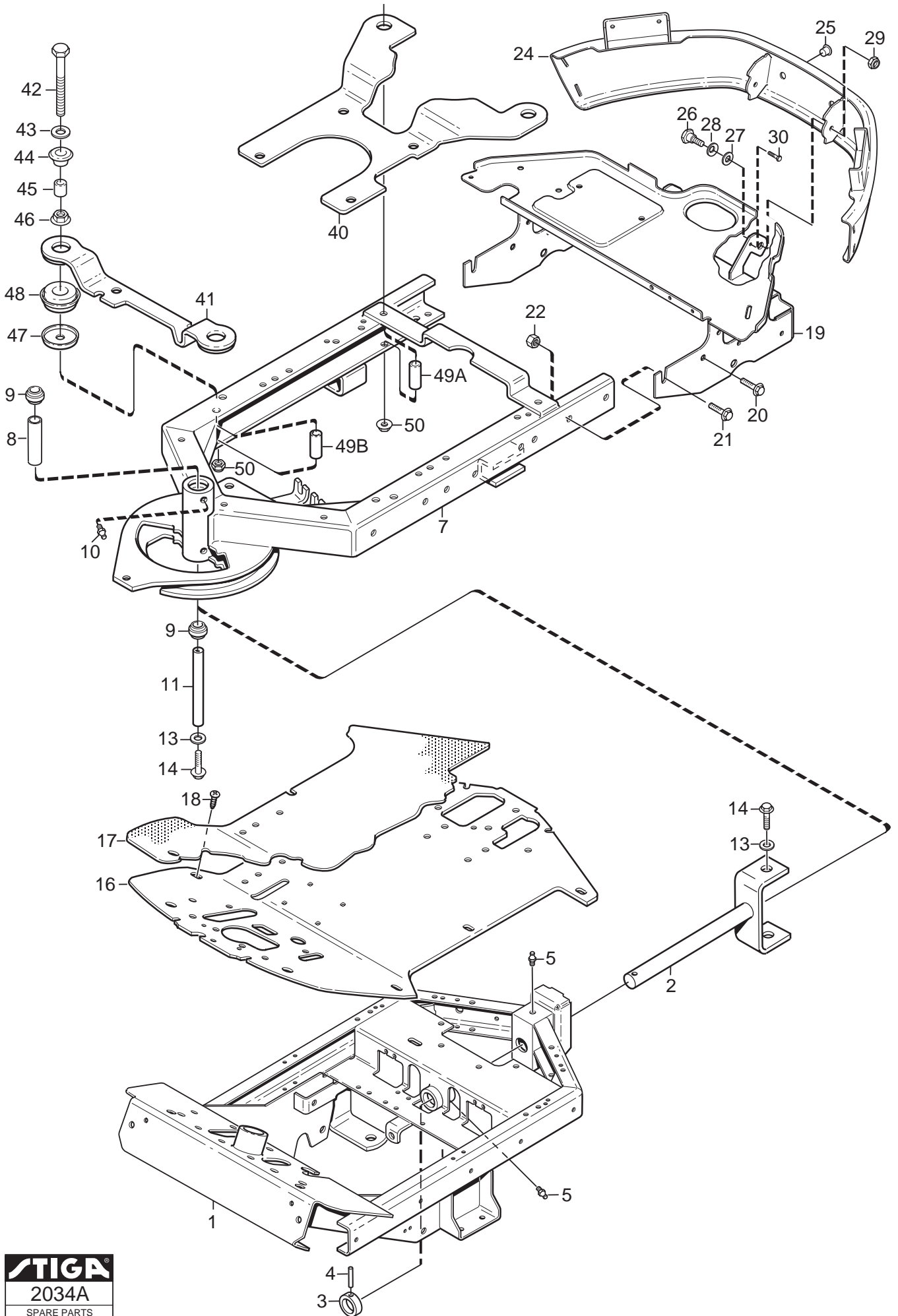
| Utgåva Issue 2007- 11 | | Bildnr Picture No 2017A | | PARK 2WD COMFORT- ROYAL- PRESID POWER- EXCELLENT- UNLTD RAM | | PARK 2WD COMFORT- ROYAL- PRESID POWER- EXCELLENT- UNLTD FRAME | | Sida Page 54 | |
|-----------------------------|----------------------|-------------------------------|---|--|-------------------|--|--------------------------|--------------------|---------------------|
| Pos. Fig. | Antal/Quantity | | | | Art nr Part No | Benämning | Description | Sats Kit | Anmärkning Notes |
| | 6182 6183 6184 | 6187 6189 6190 | | | | | | | |
| X | 1 | 1 | 1 | | 1134-5315-03 | Ram- främre | Frame- front | | |
| | 2 | 1 | 1 | | 1134-3963-02 | • Midjegaffel | • Clevis | | |
| | 3 | 1 | 1 | | 1134-0031-00 | • Ledaxelstopp | • Pivot shaft stop | | |
| | 4 | 1 | 1 | | 9595-0262-00 | • Spännstift | • Locating pin | | |
| | 5 | 1 | 1 | | 1134-2171-01 | Fjäder..... | Spring | | |
| | 6 | 2 | 2 | | 9501-0500-00 | Smörjnippel | Grease joint..... | | |
| | 7 | 1 | 1 | | 1134-6081-01 | Ram- bakre | Frame- rear..... | | |
| | 8 | 1 | 1 | | 1134-5705-01 | • Distans | • Spacer | | |
| | 9 | 2 | 2 | | 9547-0001-00 | • Ledlager | • Bearing | | |
| | 10 | 2 | 2 | | 9501-0500-00 | • Smörjnippel | • Grease joint | | |
| | 11 | 1 | 1 | | 1134-5988-01 | Centrumaxel | Centre shaft..... | | |
| | 13 | 2 | 2 | | 9699-0035-02 | Planbricka..... | Flat washer..... | | |
| | 14 | 2 | 2 | | 9959-1025-16 | Skruv | Screw | | |
| X | 15 | 2 | 2 | | 9403-0048-70 | Täckpropp | Plug | | |
| | 16 | 1 | 1 | | 1134-5294-01 | Durk..... | Floor plate | | |
| X | 17 | 1 | 1 | | 1134-6372-03 | Durkmatta..... | Floor mat..... | | |
| | 18 | 2 | 2 | | 9893-0616-16 | Skruv | Screw | | |
| | 19 | 1 | 1 | | 1134-5944-01 | Tankhylla..... | Tank shelf | | |
| | 20 | 2 | 2 | | 9945-0816-16 | Skruv | Screw | | |
| | 21 | 2 | 2 | | 9959-0820-16 | Skruv | Screw | | |
| | 22 | 2 | 2 | | 9739-0831-22 | Mutter | Nut | | |
| | 24 | 1 | 1 | | 1134-5676-01 | Stötfångare | Bumper | | |
| | 25 | 2 | 2 | | 1134-4100-01 | Täckpropp | Plug | | |
| | 26 | 2 | 2 | | 1134-0240-00 | Ansatsskruv | Shoulder screw | | |
| | 27 | 2 | 2 | | 1134-4242-01 | Distansbricka..... | Spacer washer | | |
| | 28 | 2 | 2 | | 9665-0002-00 | Brickfjäder | Bowed washer..... | | |
| | 29 | 2 | 2 | | 9747-0831-02 | Mutter..... | Lock nut..... | | |
| | 30 | 2 | 2 | | 9943-0516-16 | Skruv | Screw | | |



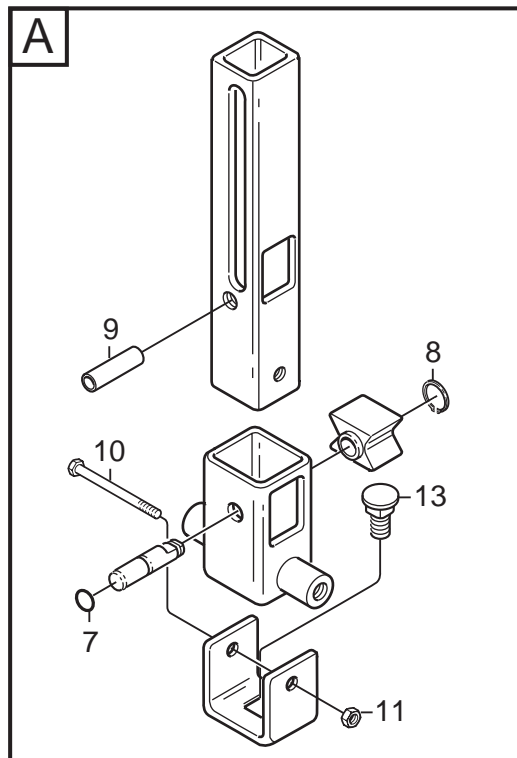
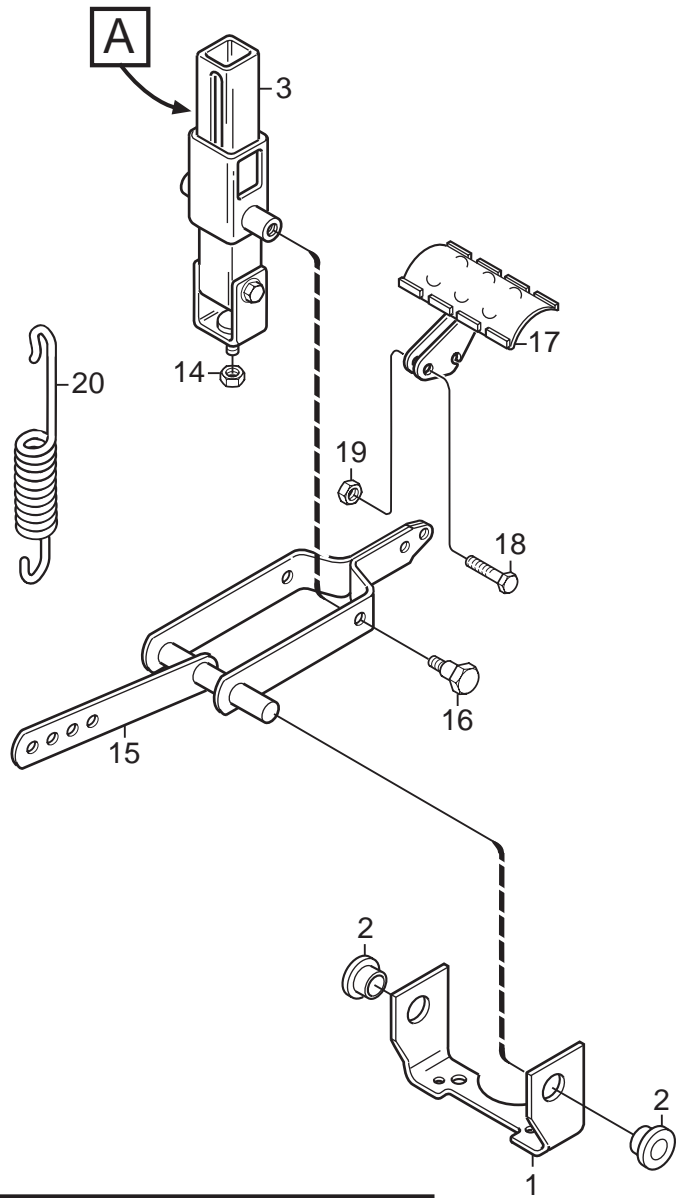
| Utgåva Issue 2007- 11 | | Bildnr Picture No 2033A | | PARK 4WD PRESTIGE UNLTD (IT)- POWER (CZ) RAM | | PARK 4WD PRESTIGE UNLTD (IT)- POWER (CZ) FRAME | | Sida Page 56 | |
|-----------------------------|----------------|-------------------------------|------|---|-------------------|---|--------------------------|--------------------|---------------------|
| Pos. Fig. | Antal/Quantity | | | | Art nr Part No | Benämning | Description | Sats Kit | Anmärkning Notes |
| | 6185 | 6191 | 6192 | | | | | | |
| X | 1 | 1 | | | 1134-5656-02 | Ram- främre | Frame- front | | |
| | 2 | 1 | | | 1134-3963-02 | • Midjegaffel | • Clevis | | |
| | 3 | 1 | | | 1134-0031-00 | • Ledaxelstopp | • Pivot shaft stop | | |
| | 4 | 1 | | | 9595-0262-00 | • Spännstift | • Locating pin | | |
| | 5 | 2 | | | 9501-0500-00 | • Smörjnippel | • Grease joint | | |
| | 7 | 1 | | | 1134-6081-01 | Ram- bakre | Frame- rear | | |
| | 8 | 1 | | | 1134-5705-01 | • Distans | • Spacer | | |
| | 9 | 2 | | | 9547-0001-00 | • Ledlager | • Bearing | | |
| | 10 | 2 | | | 9501-0500-00 | • Smörjnippel | • Grease joint | | |
| | 11 | 1 | | | 1134-5988-01 | Centrumaxel | Centre shaft | | |
| | 13 | 2 | | | 9699-0035-02 | Planbricka | Flat washer | | |
| | 14 | 2 | | | 9959-1025-16 | Skruv | Screw | | |
| X | 15 | 2 | | | 9403-0048-70 | Täckpropp | Plug | | |
| | 16 | 1 | | | 1134-5294-01 | Durk | Floor plate | | |
| X | 17 | 1 | | | 1134-6372-03 | Durkmatta | Floor mat | | |
| | 18 | 2 | | | 9893-0616-16 | Skruv | Screw | | |
| | 19 | 1 | | | 1134-5944-01 | Tankhylla | Tank shelf | | |
| | 20 | 2 | | | 9945-0816-16 | Skruv | Screw | | |
| | 21 | 2 | | | 9959-0820-16 | Skruv | Screw | | |
| | 22 | 2 | | | 9739-0831-22 | Mutter | Nut | | |
| | 24 | 1 | | | 1134-5676-01 | Stötfångare | Bumper | | |
| | 25 | 2 | | | 1134-4100-01 | Täckpropp | Plug | | |
| | 26 | 2 | | | 1134-0240-00 | Ansatsskruv | Shoulder screw | | |
| | 27 | 2 | | | 1134-4242-01 | Distansbricka | Spacer washer | | |
| | 28 | 2 | | | 9665-0002-00 | Brickfjäder | Bowed washer | | |
| | 29 | 2 | | | 9747-0831-02 | Mutter | Lock nut | | |
| | 30 | 2 | | | 9943-0516-16 | Skruv | Screw | | |



| Utgåva Issue 2007- 11 | | Bildnr Picture No 2018A | | PARK 2WD DIESEL RAM | | PARK 2WD DIESEL FRAME | | Sida Page 58 | |
|-----------------------------|----------------|-------------------------------|--|---------------------------|-------------------|-----------------------------|----------------------------|--------------------|---------------------|
| Pos. Fig. | Antal/Quantity | | | | Art nr Part No | Benämning | Description | Sats Kit | Anmärkning Notes |
| | 6180 | | | | | | | | |
| X | 1 | 1 | | | 1134-5315-03 | Ram- främre | Frame- front | | |
| | 2 | 1 | | | 1134-3963-02 | • Midjegaffel | • Clevis | | |
| | 3 | 1 | | | 1134-0031-00 | • Ledaxelstopp | • Pivot shaft stop | | |
| | 4 | 1 | | | 9595-0262-00 | • Spännstift | • Locating pin | | |
| | 5 | 1 | | | 1134-2171-01 | Fjäder..... | Spring | | |
| | 6 | 2 | | | 9501-0500-00 | Smörjnippel | Grease joint..... | | |
| | 7 | 1 | | | 1134-6046-01 | Ram- bakre | Frame- rear..... | | |
| | 8 | 1 | | | 1134-5705-01 | • Distans | • Spacer | | |
| | 9 | 2 | | | 9547-0001-00 | • Ledlager..... | • Bearing..... | | |
| | 10 | 2 | | | 9501-0500-00 | • Smörjnippel | • Grease joint..... | | |
| | 11 | 1 | | | 1134-5988-01 | Centrumaxel | Centre shaft..... | | |
| | 13 | 2 | | | 9699-0035-02 | Planbricka..... | Flat washer..... | | |
| | 14 | 2 | | | 9959-1025-16 | Skruv..... | Screw..... | | |
| X | 15 | 2 | | | 9403-0048-70 | Täckpropp | Plug | | |
| | 16 | 1 | | | 1134-5294-01 | Durk..... | Floor plate..... | | |
| X | 17 | 1 | | | 1134-6372-03 | Durkmatta..... | Floor mat..... | | |
| | 18 | 2 | | | 9893-0616-16 | Skruv..... | Screw..... | | |
| | 19 | 1 | | | 1134-5944-01 | Tankhylla..... | Tank shelf..... | | |
| | 20 | 2 | | | 9945-0816-16 | Skruv..... | Screw..... | | |
| | 21 | 2 | | | 9959-0820-16 | Skruv..... | Screw..... | | |
| | 22 | 2 | | | 9739-0831-22 | Mutter..... | Nut..... | | |
| | 24 | 1 | | | 1134-5676-01 | Stötfångare..... | Bumper | | |
| | 25 | 2 | | | 1134-4100-01 | Täckpropp | Plug | | |
| | 26 | 2 | | | 1134-0240-00 | Ansatsskruv..... | Shoulder screw | | |
| | 27 | 2 | | | 1134-4242-01 | Distansbricka..... | Spacer washer | | |
| | 28 | 2 | | | 9665-0002-00 | Brickfjäder | Bowed washer..... | | |
| | 29 | 2 | | | 9747-0831-02 | Mutter..... | Lock nut..... | | |
| | 30 | 2 | | | 9943-0516-16 | Skruv..... | Screw..... | | |
| | 40 | 1 | | | 1134-6037-01 | Motorstag..... | Engine support..... | | |
| | 41 | 1 | | | 1134-4918-01 | Motorstag- fram..... | Engine support- front..... | | |
| | 42 | 4 | | | 9997-1011-06 | Skruv..... | Screw..... | | |
| | 43 | 4 | | | 9699-0030-02 | Planbricka..... | Flat washer..... | | |
| | 44 | 4 | | | 1111-2453-01 | Isolering | Grommet..... | | |
| | 45 | 4 | | | 1134-4919-01 | Distans | Spacer..... | | |
| | 46 | 4 | | | 9739-1031-22 | Mutter..... | Nut..... | | |
| | 47 | 4 | | | 1134-4915-01 | Stödkopp | Support cup | | |
| | 48 | 4 | | | 1134-4920-01 | Dämpement | Vibration absorber | | |
| | 49A | 2 | | | 1134-0041-03 | Hylsa | Collar | | L = 55 mm |
| | 49B | 2 | | | 1134-0041-06 | Hylsa | Collar | | L = 52 mm |
| X | 50 | 4 | | | 9731-1031-22 | Mutter..... | Nut..... | | |

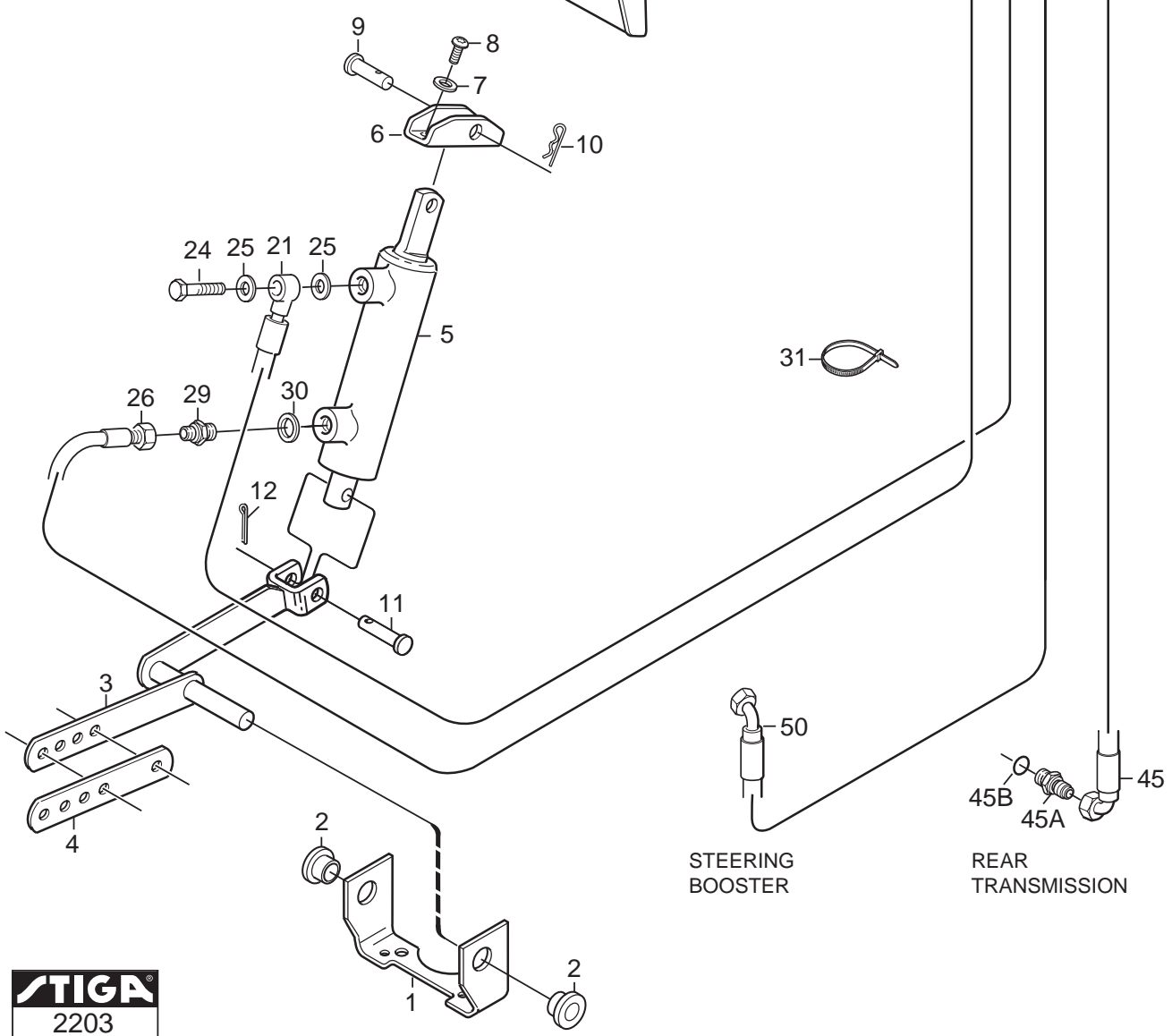
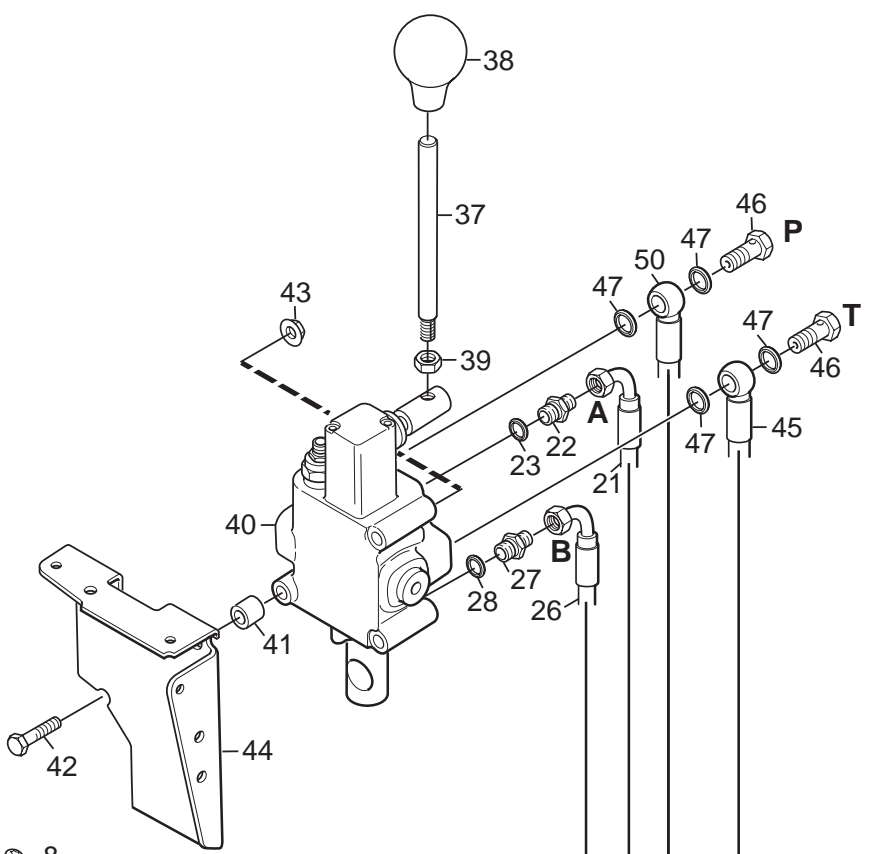
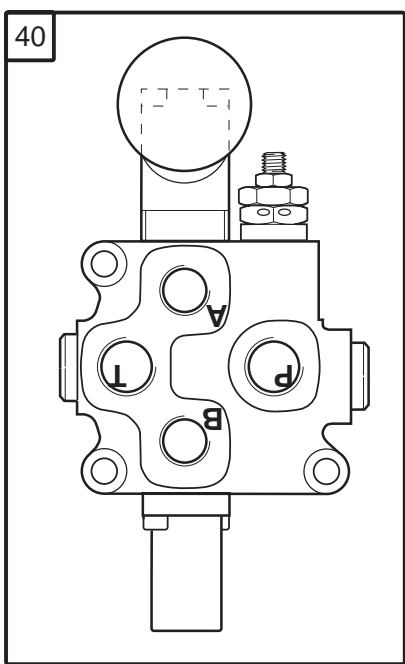


| Utgåva Issue 2007- 11 | | Bildnr Picture No 2034A | | PARK 4WD DIESEL RAM | | PARK 4WD DIESEL FRAME | | Sida Page 60 | |
|-----------------------------|----------------|-------------------------------|--|---------------------------|-------------------|-----------------------------|-----------------------------|--------------------|---------------------|
| Pos. Fig. | Antal/Quantity | | | | Art nr Part No | Benämning | Description | Sats Kit | Anmärkning Notes |
| | 6181 | | | | | | | | |
| X | 1 | 1 | | | 1134-5656-02 | Ram- främre | Frame- front | | |
| | 2 | 1 | | | 1134-3963-02 | • Midjegaffel | • Clevis | | |
| | 3 | 1 | | | 1134-0031-00 | • Ledaxelstopp | • Pivot shaft stop | | |
| | 4 | 1 | | | 9595-0262-00 | • Spännstift | • Locating pin | | |
| | 5 | 2 | | | 9501-0500-00 | • Smörjnippel | • Grease joint | | |
| | 7 | 1 | | | 1134-6046-01 | Ram- bakre | Frame- rear | | |
| | 8 | 1 | | | 1134-5705-01 | • Distans | • Spacer | | |
| | 9 | 2 | | | 9547-0001-00 | • Ledlager | • Bearing | | |
| | 10 | 2 | | | 9501-0500-00 | • Smörjnippel | • Grease joint | | |
| | 11 | 1 | | | 1134-5988-01 | Centrumaxel | Centre shaft | | |
| | 13 | 2 | | | 9699-0035-02 | Planbricka | Flat washer | | |
| | 14 | 2 | | | 9959-1025-16 | Skruv | Screw | | |
| | 16 | 1 | | | 1134-5294-01 | Durk | Floor plate | | |
| X | 17 | 1 | | | 1134-6372-03 | Durkmatta | Floor mat | | |
| | 18 | 2 | | | 9893-0616-16 | Skruv | Screw | | |
| | 19 | 1 | | | 1134-5944-01 | Tankhylla | Tank shelf | | |
| | 20 | 2 | | | 9945-0816-16 | Skruv | Screw | | |
| | 21 | 2 | | | 9959-0820-16 | Skruv | Screw | | |
| | 22 | 2 | | | 9739-0831-22 | Mutter | Nut | | |
| | 24 | 1 | | | 1134-5676-01 | Stötfångare | Bumper | | |
| | 25 | 2 | | | 1134-4100-01 | Täckpropp | Plug | | |
| | 26 | 2 | | | 1134-0240-00 | Ansatsskruv | Shoulder screw | | |
| | 27 | 2 | | | 1134-4242-01 | Distansbricka | Spacer washer | | |
| | 28 | 2 | | | 9665-0002-00 | Brickfjäder | Bowed washer | | |
| | 29 | 2 | | | 9747-0831-02 | Mutter | Lock nut | | |
| | 30 | 2 | | | 9943-0516-16 | Skruv | Screw | | |
| | 40 | 1 | | | 1134-6037-01 | Motorstag | Engine support | | |
| | 41 | 1 | | | 1134-4918-01 | Motorstag- fram | Engine support- front | | |
| | 42 | 4 | | | 9997-1011-06 | Skruv | Screw | | |
| | 43 | 4 | | | 9699-0030-02 | Planbricka | Flat washer | | |
| | 44 | 4 | | | 1111-2453-01 | Isolering | Grommet | | |
| | 45 | 4 | | | 1134-4919-01 | Distans | Spacer | | |
| | 46 | 4 | | | 9739-1031-22 | Mutter | Nut | | |
| | 47 | 4 | | | 1134-4915-01 | Stödkopp | Support cup | | |
| | 48 | 4 | | | 1134-4920-01 | Dämpement | Vibration absorber | | |
| | 49A | 2 | | | 1134-0041-03 | Hylsa | Collar | | L = 55 mm |
| | 49B | 2 | | | 1134-0041-06 | Hylsa | Collar | | L = 52 mm |
| X | 50 | 4 | | | 9731-1031-22 | Mutter | Nut | | |



| Utgåva Issue 2007- 11 | | Bildnr Picture No 1023D | | | PARK PEDALLYFT | | PARK PEDAL LIFT | | Sida Page 62 | |
|-----------------------------|------------------------------|-------------------------------|----------------------|--|-------------------|-----------------------|-----------------------|-------------|---------------------|--|
| Pos. Fig. | Antal/Quantity | | | | Art nr Part No | Benämning | Description | Sats Kit | Anmärkning Notes | |
| | 6180 6182 6183 6184 | 6187 6189 6190 | 6185 6191 6192 | | | | | | | |
| 1 | 1 | 1 | 1 | | 1134-4117-01 | Fäste | Bracket | | | |
| 2 | 2 | 2 | 2 | | 1134-2684-01 | Lager | Bearing | | | |
| 3 | 1 | 1 | 1 | | 1134-4945-01 | Lyftspärr kpl | Lift catch assy | | | |
| 7 | 1 | 1 | 1 | | 9404-0027-01 | • O- ring | • O- ring | | | |
| 8 | 1 | 1 | 1 | | 9650-0039-04 | • Seegersäkring | • Lock ring | | | |
| 9 | 1 | 1 | 1 | | 9595-0276-01 | • Spännstift | • Locating pin | | | |
| 10 | 1 | 1 | 1 | | 9997-0640-12 | • Skruv | • Screw | | | |
| 11 | 1 | 1 | 1 | | 9747-0631-02 | • Låsmutter | • Lock nut | | | |
| 13 | 1 | 1 | 1 | | 9897-0820-16 | • Skruv | • Screw | | | |
| 14 | 1 | 1 | 1 | | 9747-0831-02 | Mutter | Lock nut | | | |
| 15 | 1 | 1 | 1 | | 1134-4860-01 | Lyftgaffel | Lift fork | | | |
| 16 | 2 | 2 | 2 | | 1134-0240-00 | Ansatsskruv | Shoulder screw | | | |
| 17 | 1 | 1 | 1 | | 1134-4938-01 | Lyftpedal | Lift pedal | | | |
| 18 | 2 | 2 | 2 | | 9997-0625-16 | Skruv | Screw | | | |
| 19 | 2 | 2 | 2 | | 9739-0631-22 | Mutter | Nut | | | |
| 20 | 1 | 1 | 1 | | 4231-0013-00 | Fjäder | Spring | | | |

40

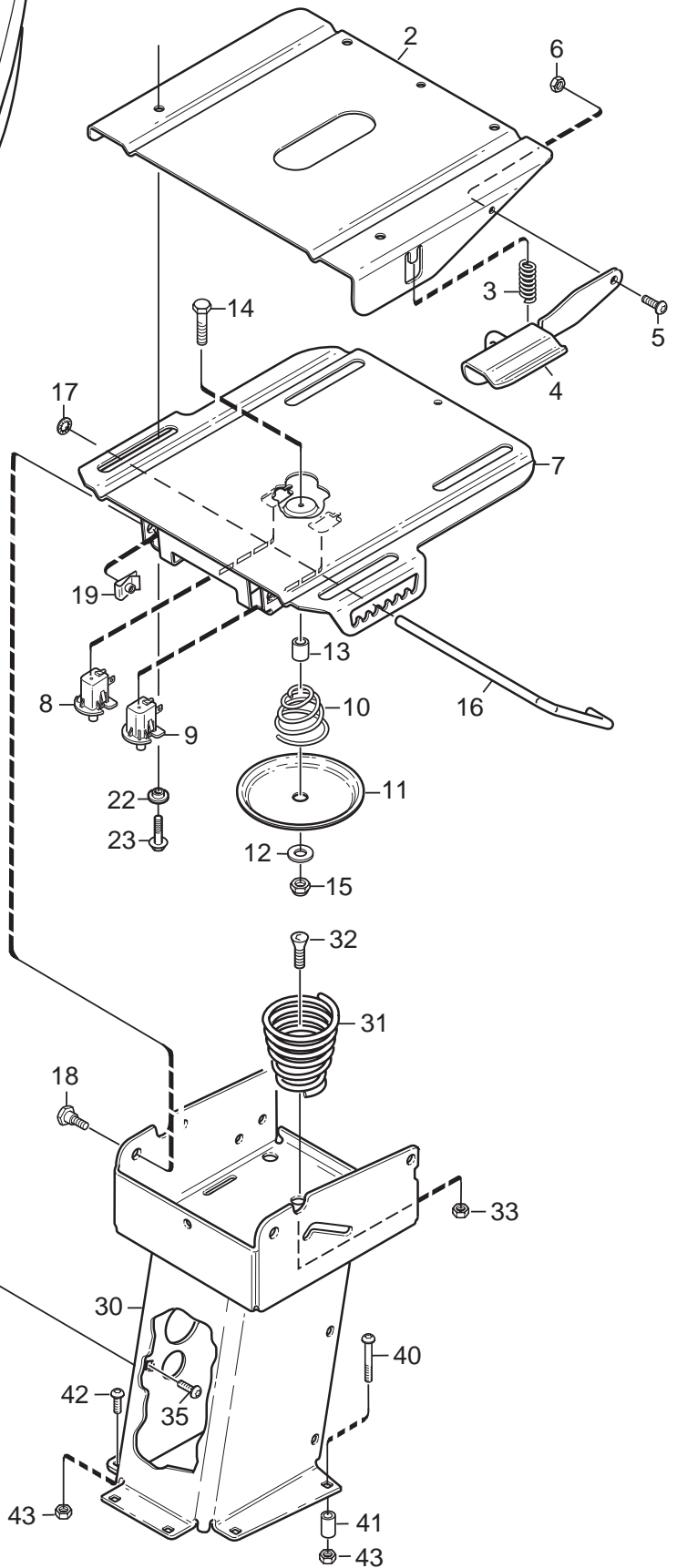


STEERING BOOSTER

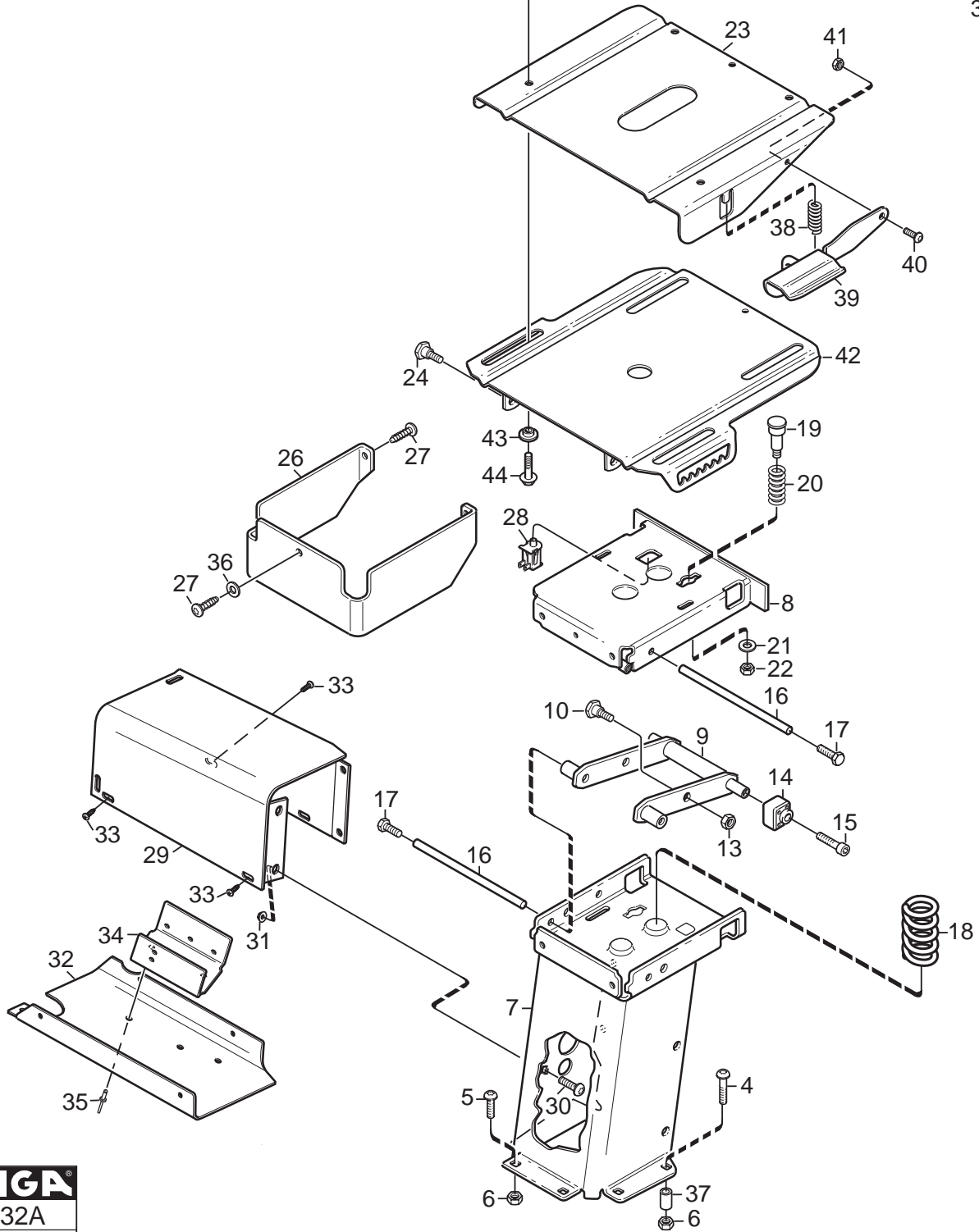
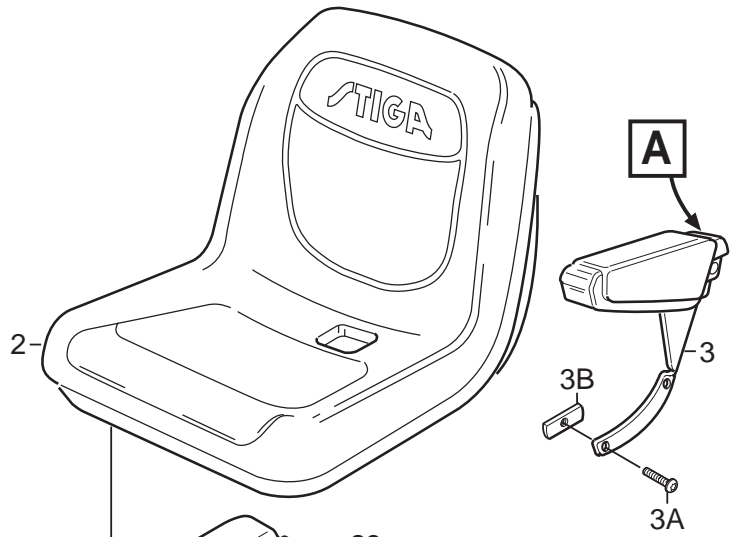
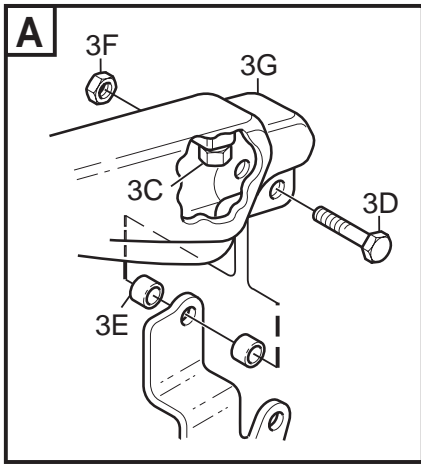
REAR TRANSMISSION



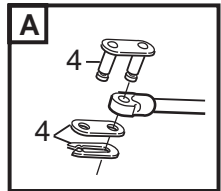
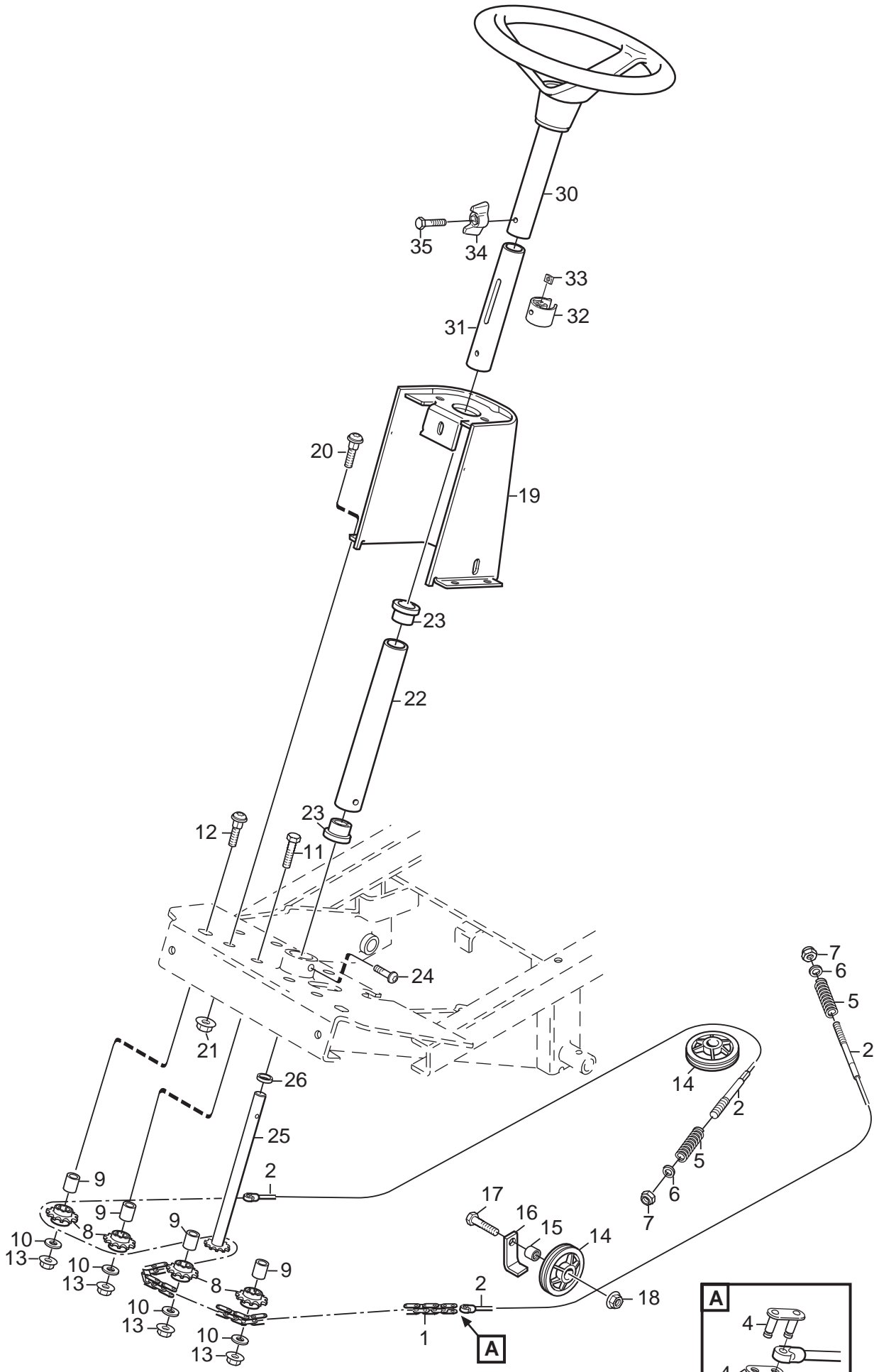
| Utgåva Issue 2007- 11 | | Bildnr Picture No 2203 | | PARK DIESEL 4WD HYDRAULLYFT | | PARK DIESEL 4WD HYDRAULIC LIFT | | Sida Page 64 | |
|-----------------------------|----------------|------------------------------|--|-----------------------------------|-------------------|--------------------------------------|----------------------------|--------------------|---------------------|
| Pos. Fig. | Antal/Quantity | | | | Art nr Part No | Benämning | Description | Sats Kit | Anmärkning Notes |
| | 6181 | | | | | | | | |
| | 1 | 1 | | | 1134-4117-01 | Fäste | Bracket | | |
| | 2 | 2 | | | 1134-2684-01 | Lager | Bearing | | |
| X | 3 | 1 | | | 1134-6457-01 | Lyftarm | Lift lever | | |
| | 4 | 1 | | | 1134-6245-01 | Lyftarm | Lift lever | | Tillbehör/Accessory |
| | 5 | 1 | | | 1134-5596-01 | Hydraulcylinder | Hydraulic cylinder | | |
| | 6 | 1 | | | 1134-4815-01 | Cylinderfäste | Cylinder bracket | | |
| | 7 | 2 | | | 9699-0025-02 | Planbricka | Washer | | |
| | 8 | 2 | | | 9893-0616-16 | Skruv | Screw | | |
| | 9 | 1 | | | 1134-4816-01 | Sprint | Pin | | Ø 10 x 29 |
| | 10 | 1 | | | 9598-0002-02 | Låsnål | Pin lock | | |
| | 11 | 1 | | | 1134-4817-01 | Kolvstångssprint | Pin | | Ø 10 x 34 |
| | 12 | 1 | | | 9599-0054-02 | Saxpinne | Cotter pin | | |
| X | 21 | 1 | | | 1134-6299-01 | Hydraulslang | Hydraulic tube | | |
| | 22 | 1 | | | 1134-4824-01 | Adapter | Adapter | | 1/4" x 1/8" |
| | 23 | 1 | | | 1134-4948-01 | Tredobricka | Seal washer | | 1/4" |
| | 24 | 1 | | | 1134-4826-01 | Banjoskruv | Banjo bolt | | |
| | 25 | 2 | | | 1134-4947-01 | Kopparbricka | Copper washer | | |
| X | 26 | 1 | | | 1134-6298-01 | Hydraulslang | Hydraulic tube | | |
| | 27 | 1 | | | 1134-4824-01 | Adapter | Adapter | | 1/4" x 1/8" |
| | 28 | 1 | | | 1134-4948-01 | Tredobricka | Seal washer | | 1/4" |
| | 29 | 1 | | | 1134-4825-01 | Adapter | Adapter | | 1/8" x 1/8" |
| | 30 | 1 | | | 1134-4947-01 | Kopparbricka | Copper washer | | |
| | 31 | 4 | | | 9579-0003-00 | Buntband | Cable holder | | |
| X | 37 | 1 | | | 1134-6345-01 | • Spak | • Lever | | |
| | 38 | 1 | | | 1134-2551-01 | Reglageknopp | Knob | | |
| | 39 | 1 | | | 9739-0831-22 | Mutter | Nut | | |
| X | 40 | 1 | | | 1134-6294-01 | Handspaksventil | Hand operated valve | | Inkl. pos 37 |
| X | 41 | 2 | | | 1134-6364-01 | Distans | Spacer | | |
| | 42 | 2 | | | 9997-0660-12 | Skruv | Screw | | |
| | 43 | 2 | | | 9739-0631-22 | Mutter | Nut | | |
| X | 44 | 1 | | | 1134-6328-01 | Frontfäste | Panel bracket- front | | |
| X | 45 | 1 | | | 1134-6300-01 | Hydraulslang | Hydraulic tube | | |
| | 45A | 1 | | | 1134-4282-01 | Hydraulnippel | Hydraulic nipple | | 9/16" x 9/16" |
| | 45B | 1 | | | 9404-0028-01 | • O- ring | • O- ring | | |
| X | 46 | 2 | | | 1134-6323-01 | Banjobult | Banjo bolt | | 3/8" |
| X | 47 | 4 | | | 1134-4948-02 | Tredobricka | Tredo washer | | 3/8" |
| X | 50 | 1 | | | 1134-6295-01 | Hydraulslang | Hydraulic tube | | |

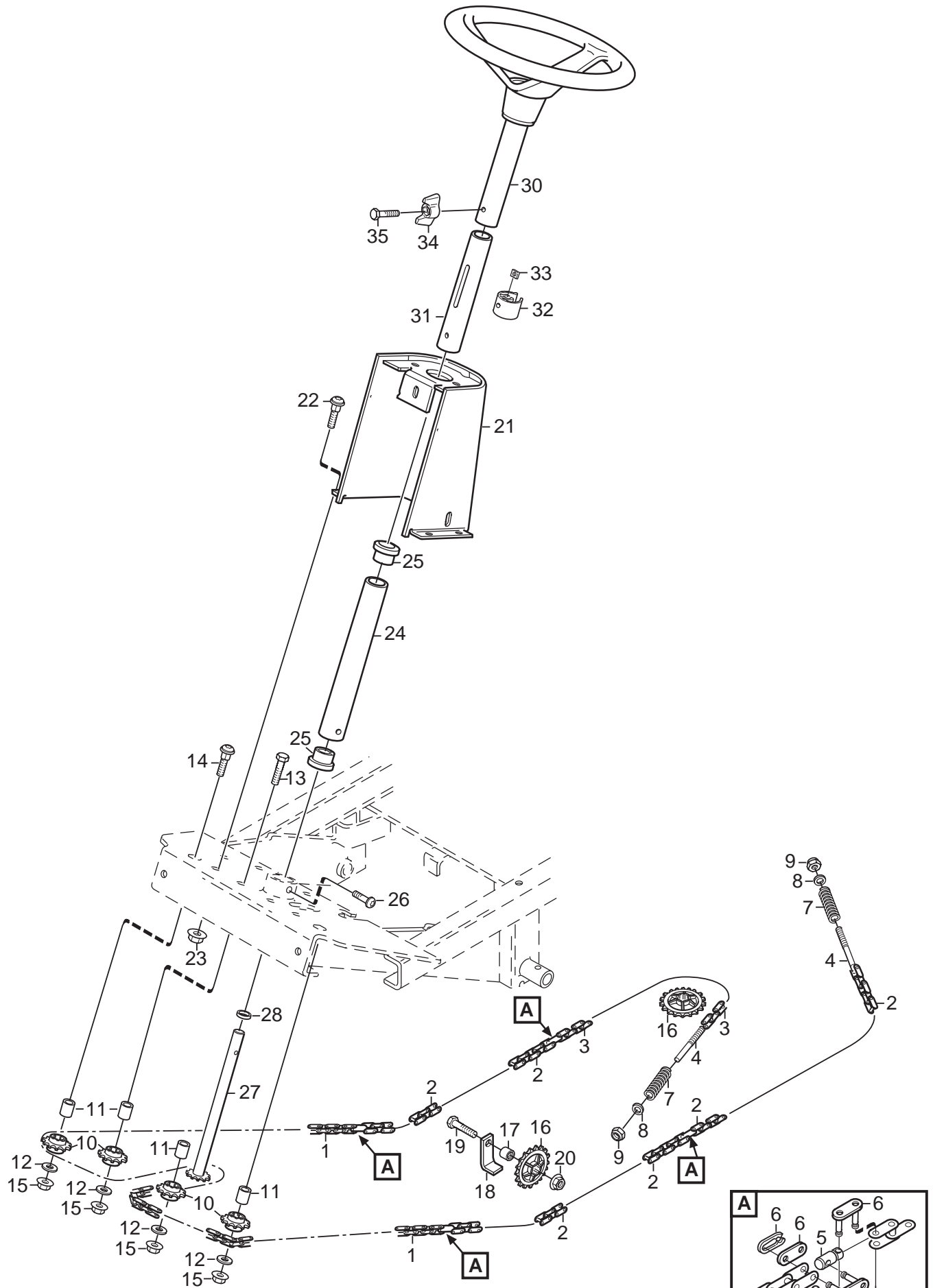


| Utgåva Issue | | Bildnr Picture No | | PARK SITS | | PARK SEAT | | Sida Page | |
|-----------------|------------------------------|----------------------|------|--------------|-------------------|-------------------------|-----------------------------|--------------|---------------------|
| 2007- 11 | | 2019A | | | | | | 66 | |
| Pos. Fig. | Antal/Quantity | | | | Art nr Part No | Benämning | Description | Sats Kit | Anmärkning Notes |
| | 6182 6183 6184 6185 | 6187 6189 6190 | 6180 | 6191 6192 | | | | | |
| X 1 | 1 | 1 | 1 | 1 | 1134-6444-01 | Sits | Seat | | |
| 2 | 1 | 1 | 1 | 1 | 1134-6090-01 | Glidplatta | Slide plate | | |
| 3 | 1 | 1 | 1 | 1 | 1134-3262-01 | Tryckfjäder | Compression spring | | |
| 4 | 1 | 1 | 1 | 1 | 1134-6073-01 | Handtag | Handle | | |
| 5 | 1 | 1 | 1 | 1 | 9893-0616-16 | Skruv | Screw | | |
| 6 | 1 | 1 | 1 | 1 | 9747-0631-02 | Låsmutter | Lock nut | | |
| 7 | 1 | 1 | 1 | 1 | 1134-6068-01 | Glidplatta- undre | Slide plate-lower | | |
| 8 | 1 | 1 | 2 | 1 | 1134-3156-01 | Brytare (svart) | Switch (black) | | |
| 9 | 1 | 1 | 1 | 1 | 1134-3156-02 | Brytare (grå) | Switch (grey) | | |
| 10 | 1 | 1 | 1 | 1 | 1134-5302-01 | Fjäder | Spring | | |
| 11 | 1 | 1 | 1 | 1 | 1134-5299-01 | Tryckplatta | Push plate | | |
| 12 | 1 | 1 | 1 | 1 | 9699-0090-02 | Planbricka | Flat washer | | |
| 13 | 1 | 1 | 1 | 1 | 1134-1565-06 | Distans | Spacer | | |
| 14 | 1 | 1 | 1 | 1 | 9997-0840-16 | Skruv | Screw | | |
| 15 | 1 | 1 | 1 | 1 | 9747-0831-02 | Mutter | Lock nut | | |
| 16 | 1 | 1 | 1 | 1 | 1134-5179-01 | Spärr | Catch | | |
| 17 | 1 | 1 | 1 | 1 | 9675-0012-02 | Starlock | Locking washer | | |
| 18 | 2 | 2 | 2 | 2 | 1134-0240-00 | Ansatsskruv | Shoulder screw | | |
| 19 | 2 | 2 | 2 | 2 | 1134-4620-01 | Fjädermutter | Spring nut | | |
| 22 | 4 | 4 | 4 | 4 | 1134-6078-01 | Ansatsbricka | Flange washer | | |
| 23 | 4 | 4 | 4 | 4 | 9959-0820-16 | Skruv | Screw | | |
| 30 | 1 | 1 | 1 | 1 | 1134-5698-01 | Sitskonsol | Seat bracket | | |
| 31 | 1 | 1 | 1 | 1 | 1134-4256-01 | Sitsfjäder | Seat spring | | |
| 32 | 1 | 1 | 1 | 1 | 9924-1235-19 | Skruv | Screw | | |
| 33 | 1 | 1 | 1 | 1 | 9747-1231-02 | Låsmutter | Lock nut | | |
| 34 | 1 | 1 | 1 | 1 | 1134-3990-01 | Armsvep | Attachment-side panel | | |
| 35 | 2 | 2 | 2 | 2 | 9897-0820-16 | Skruv | Screw | | |
| 36 | 2 | 2 | 2 | 2 | 9739-0831-22 | Mutter | Nut | | |
| 37 | 1 | 1 | 1 | 1 | 1134-4130-01 | Lock- undre | Cover-lower | | |
| 38 | 4 | 4 | 4 | 4 | 9840-8019-16 | Skruv | Screw | | |
| 40 | 2 | 2 | 2 | 2 | 9897-0880-12 | Skruv | Screw | | |
| 41 | 2 | 2 | 2 | 2 | 1134-1565-08 | Distans | Spacer | | |
| 42 | 4 | 4 | 4 | 4 | 9897-0820-16 | Skruv | Screw | | |
| 43 | 6 | 6 | 6 | 6 | 9747-0831-02 | Mutter | Lock nut | | |

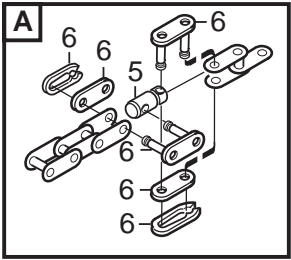


| Utgåva Issue 2007- 11 | | Bildnr Picture No 2032A | | PARK DIESEL 4WD SITS | | PARK DIESEL 4WD SEAT | | Sida Page 68 | |
|-----------------------------|----------------|-------------------------------|--|----------------------------|-------------------|----------------------------|-----------------------------|--------------------|---------------------|
| Pos. Fig. | Antal/Quantity | | | | Art nr Part No | Benämning | Description | Sats Kit | Anmärkning Notes |
| | 6181 | | | | | | | | |
| X | 2 | 1 | | | 1134-6445-01 | Sits | Seat..... | | |
| | 3 | 1 | | | 1134-4225-01 | Armstöd kpl..... | Arm rests assy..... | | |
| | 3A | 6 | | | 1134-5095-01 | • Skruv | • Button head screw | | |
| | 3B | 6 | | | 1134-5096-01 | • Mutter | • Tab nut | | |
| | 3C | 2 | | | 9988-3713-16 | • Skruv | • Screw | | L = 13 mm |
| | 3D | 2 | | | 9988-3745-12 | • Skruv | • Screw | | L = 45 mm |
| | 3E | 4 | | | 1134-5094-01 | • Distans | • Spacer | | |
| | 3F | 2 | | | 9795-3731-02 | • Mutter | • Nut | | |
| | 3G | 2 | | | 1134-5879-01 | • Armstödsdyna | • Arm rest pad | | |
| | 4 | 2 | | | 9897-0880-12 | Skruv | Screw | | L = 80 mm |
| | 5 | 4 | | | 9897-0820-16 | Skruv | Screw | | L = 20 mm |
| | 6 | 6 | | | 9747-0831-02 | Mutter | Lock nut | | |
| X | 7 | 1 | | | 1134-5695-02 | Sitskonsol..... | Seat bracket | | |
| | 8 | 1 | | | 1134-6080-01 | Platta- övre | Plate- upper | | |
| | 9 | 2 | | | 1134-6076-01 | Länkarm | Pivot link | | |
| | 10 | 2 | | | 1134-0240-00 | Ansatsskruv..... | Shoulder screw | | |
| | 13 | 2 | | | 9747-0831-02 | Mutter | Lock nut | | |
| | 14 | 4 | | | 1134-4084-01 | Glidsko | Slide block | | |
| | 15 | 4 | | | 9939-0816-16 | Skruv | Screw | | |
| | 16 | 2 | | | 1134-4082-03 | Axel | Shaft | | |
| | 17 | 4 | | | 9959-0820-16 | Skruv | Screw | | |
| | 18 | 2 | | | 1134-4160-01 | Fjäder..... | Seat spring..... | | |
| | 19 | 1 | | | 1134-4153-01 | Tryckpinne..... | Push pin..... | | |
| | 20 | 1 | | | 1134-4159-01 | Fjäder..... | Spring | | |
| | 21 | 1 | | | 9699-0056-02 | Planbricka..... | Flat washer..... | | |
| | 22 | 1 | | | 9747-0831-02 | Mutter | Lock nut | | |
| | 23 | 1 | | | 1134-6090-01 | Glidplatta | Slide plate | | |
| | 24 | 2 | | | 1134-0240-00 | Ansatsskruv..... | Shoulder screw | | |
| | 26 | 1 | | | 1134-6121-01 | Svep | Cover | | |
| | 27 | 3 | | | 9852-8013-16 | Skruv | Screw | | |
| | 28 | 1 | | | 1134-3156-01 | Brytare (svart) | Switch (black) | | |
| | 29 | 1 | | | 1134-3990-01 | Armsvep | Attachment- side panel..... | | |
| | 30 | 2 | | | 9897-0820-16 | Skruv | Screw | | |
| | 31 | 2 | | | 9739-0831-22 | Mutter | Nut | | |
| | 32 | 1 | | | 1134-4130-01 | Lock- undre | Cover- lower | | |
| | 33 | 4 | | | 9840-8019-16 | Skruv | Screw | | |
| | 34 | 1 | | | 1134-4135-01 | Relåhållare..... | Relay holder..... | | |
| | 35 | 2 | | | 9632-0522-00 | Popnit..... | Pop rivet | | |
| | 36 | 1 | | | 9699-0087-02 | Planbricka..... | Flat washer..... | | |
| | 37 | 2 | | | 1134-1565-08 | Distans | Spacer | | |
| | 38 | 1 | | | 1134-3262-01 | Tryckfjäder..... | Compression spring..... | | |
| | 39 | 1 | | | 1134-6073-01 | Handtag | Handle..... | | |
| | 40 | 1 | | | 9893-0616-16 | Skruv | Screw | | |
| | 41 | 1 | | | 9747-0631-02 | Låsmutter | Lock nut | | |
| | 42 | 1 | | | 1134-6071-01 | Glidplatta- undre | Slide plate- lower..... | | |
| | 43 | 4 | | | 1134-6078-01 | Ansatsbricka..... | Flange washer | | |
| | 44 | 4 | | | 9959-0820-16 | Skruv | Screw | | |

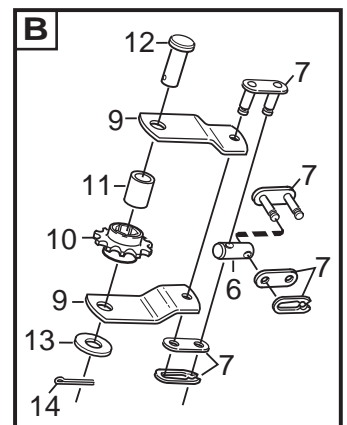
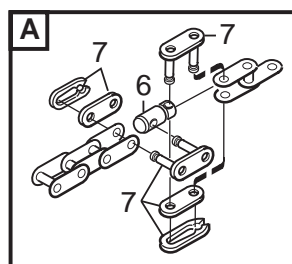
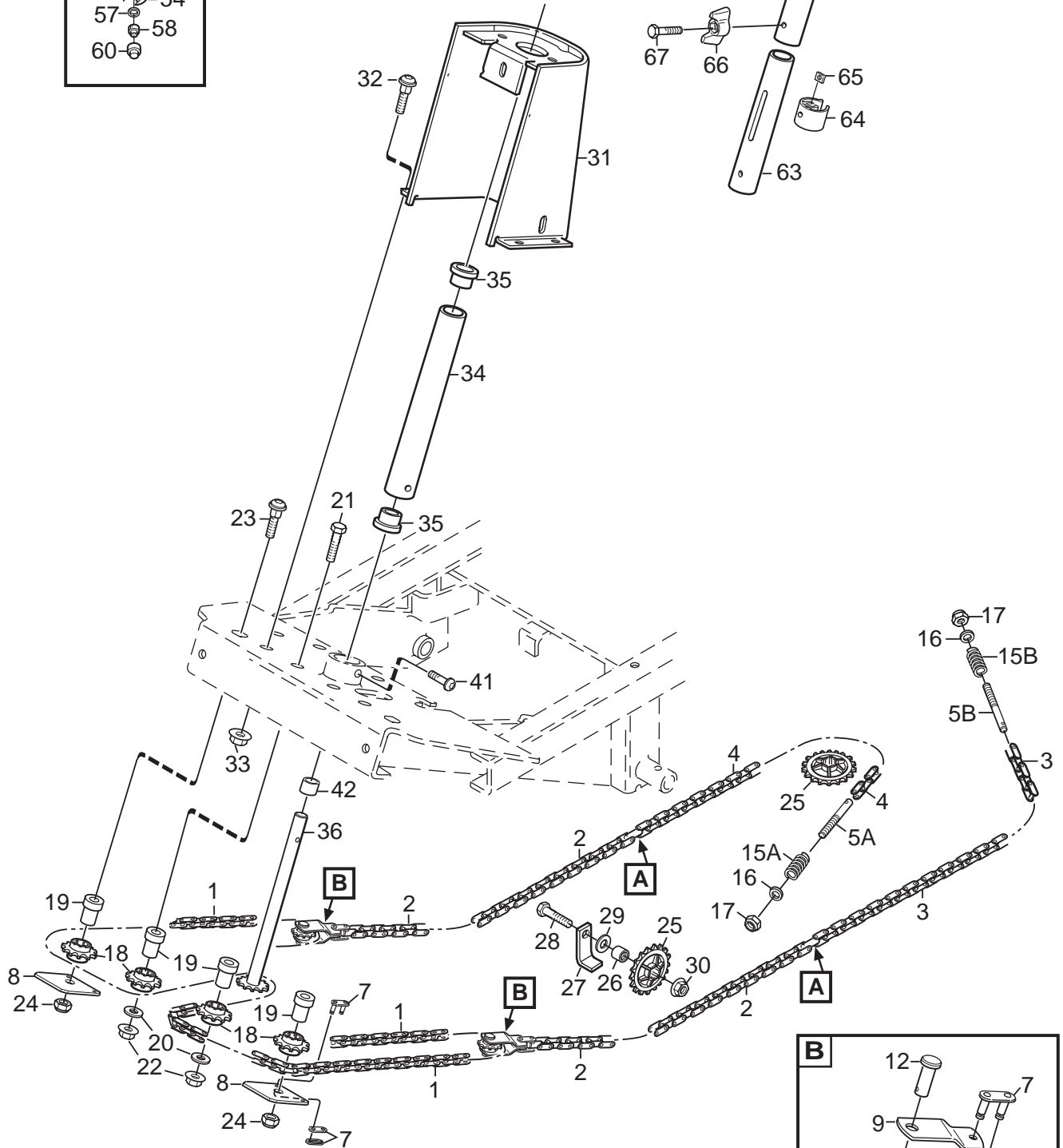
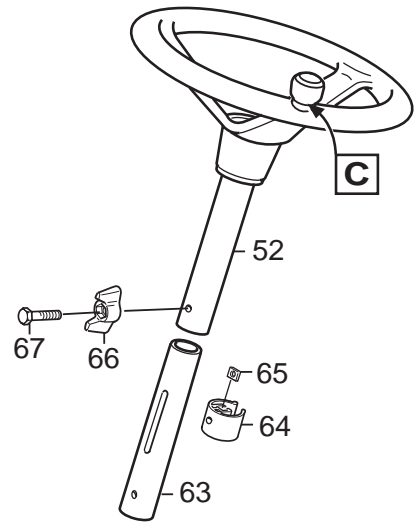
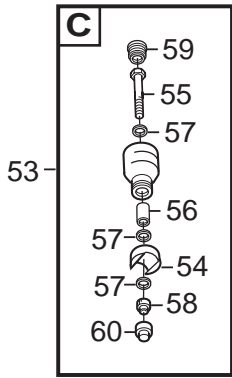




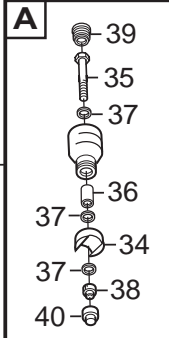
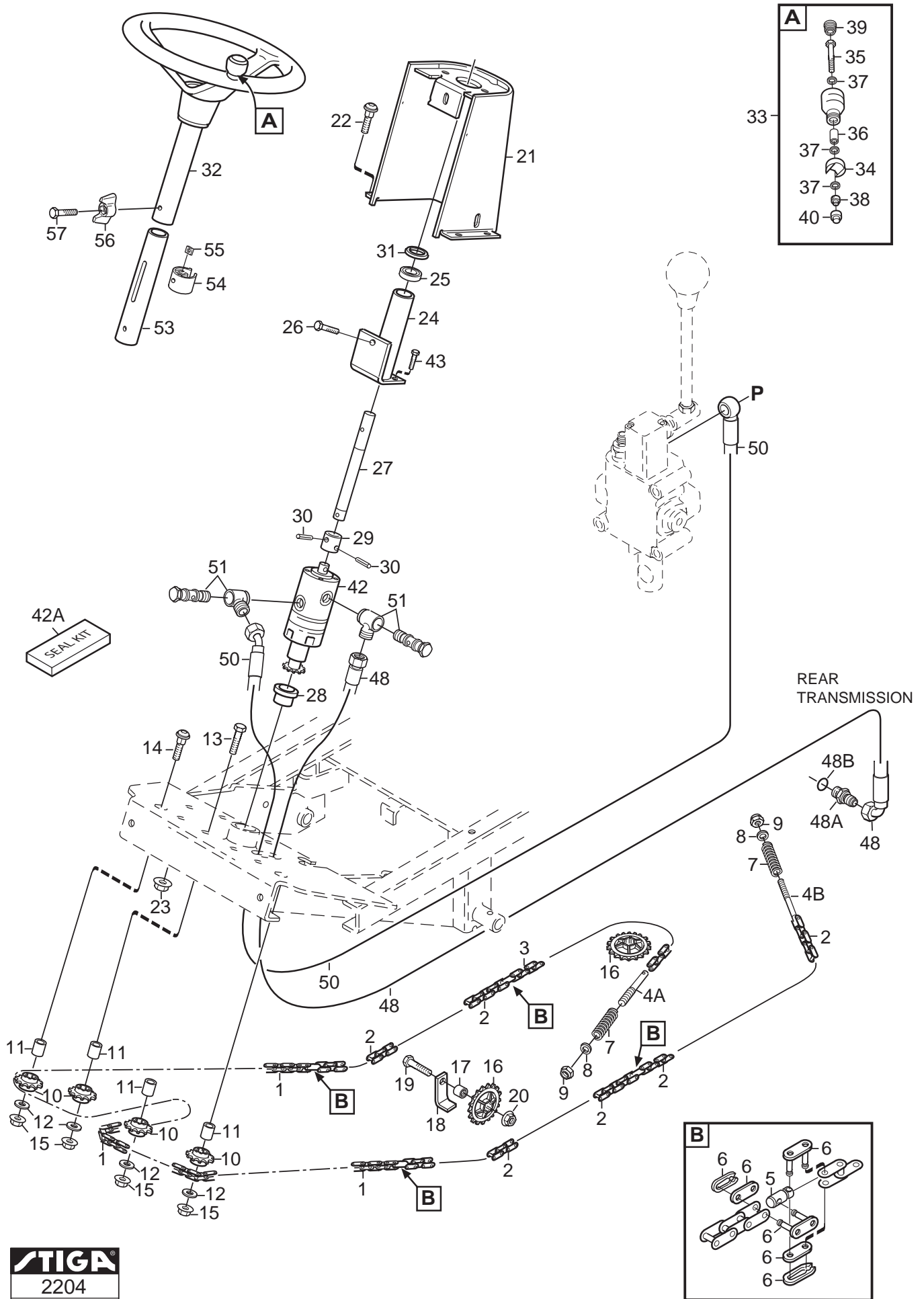
STIGA
1025C
SPARE PARTS



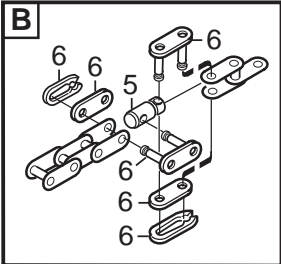
| Utgåva Issue 2007- 11 | | Bildnr Picture No 1025C | | PARK POWER STYRNING | | PARK POWER STEERING | | Sida Page 72 | |
|-----------------------------|----------------|-------------------------------|--|---------------------------|-------------------|---------------------------|------------------------------|--------------------|---------------------|
| Pos. Fig. | Antal/Quantity | | | | Art nr Part No | Benämning | Description | Sats Kit | Anmärkning Notes |
| | 6187 | | | | | | | | |
| X | 1 | 1 | | | 1134-6374-06 | Kedja | Chain | | 83 länk |
| X | 2 | 3 | | | 1134-6374-02 | Kedja | Chain | | 41 länk |
| X | 3 | 1 | | | 1134-6374-04 | Kedja | Chain | | 45 länk |
| | 4 | 2 | | | 1134-3550-01 | Ändnippel | End nipple | | |
| | 5 | 4 | | | 1134-3565-01 | Skarvnippel..... | Connection nipple | | |
| X | 6 | 10 | | | 1134-2824-02 | Kedjelås | Chain lock | | |
| | 7 | 2 | | | 1134-3817-01 | Tryckfjäder..... | Compression spring..... | | |
| | 8 | 2 | | | 9699-0090-02 | Planbricka..... | Flat washer..... | | |
| | 9 | 2 | | | 9747-0831-02 | Mutter..... | Lock nut..... | | |
| | 10 | 4 | | | 1134-2816-01 | Kedjehjul..... | Sprocket..... | | |
| | 11 | 4 | | | 1134-0041-02 | Linhjulshylsa | Idler wheel bush..... | | |
| | 12 | 4 | | | 9699-0035-02 | Planbricka..... | Flat washer..... | | |
| | 13 | 2 | | | 9997-1050-16 | Skruv | Screw | | |
| | 14 | 2 | | | 9897-1040-12 | Skruv | Screw | | |
| | 15 | 4 | | | 9739-1031-22 | Mutter..... | Nut | | |
| | 16 | 3 | | | 1134-3547-01 | Kedjehjul..... | Sprocket..... | | |
| | 17 | 2 | | | 1134-0041-01 | Linhjulshylsa | Bushing..... | | |
| | 18 | 2 | | | 1134-3022-01 | Linhållare..... | Cable holder | | |
| | 19 | 2 | | | 9997-1030-16 | Skruv | Screw | | |
| | 20 | 2 | | | 9739-1031-22 | Mutter..... | Nut | | |
| | 21 | 1 | | | 1134-4120-04 | Styrkonsol | Steering console | | |
| | 22 | 4 | | | 9897-0820-16 | Skruv | Screw | | |
| | 23 | 4 | | | 9739-0831-22 | Mutter..... | Nut | | |
| | 24 | 1 | | | 1134-1305-03 | Rattrör- nedre | Steering column- lower | | |
| | 25 | 2 | | | 1134-1901-01 | Lager | Bearing..... | | |
| | 26 | 2 | | | 9893-0616-16 | Skruv | Screw | | |
| | 27 | 1 | | | 1134-2821-01 | Rattstång | Steering rod | | |
| | 28 | 1 | | | 1134-2837-01 | Distans | Spacer | | |
| | 30 | 1 | | | 1134-5173-01 | Ratt..... | Steering wheel | | |
| | 31 | 1 | | | 1134-5216-01 | Rattrör- inre kpl | Steering tube- inner..... | | |
| | 32 | 1 | | | 1134-5177-01 | • Slid | • Slide..... | | |
| | 33 | 1 | | | 9710-0631-12 | • Fyrkantmutter | • Square nut | | |
| | 34 | 1 | | | 1134-4481-02 | Vingmutter..... | Wing nut | | |
| | 35 | 1 | | | 9997-0630-12 | Skruv | Screw..... | | |



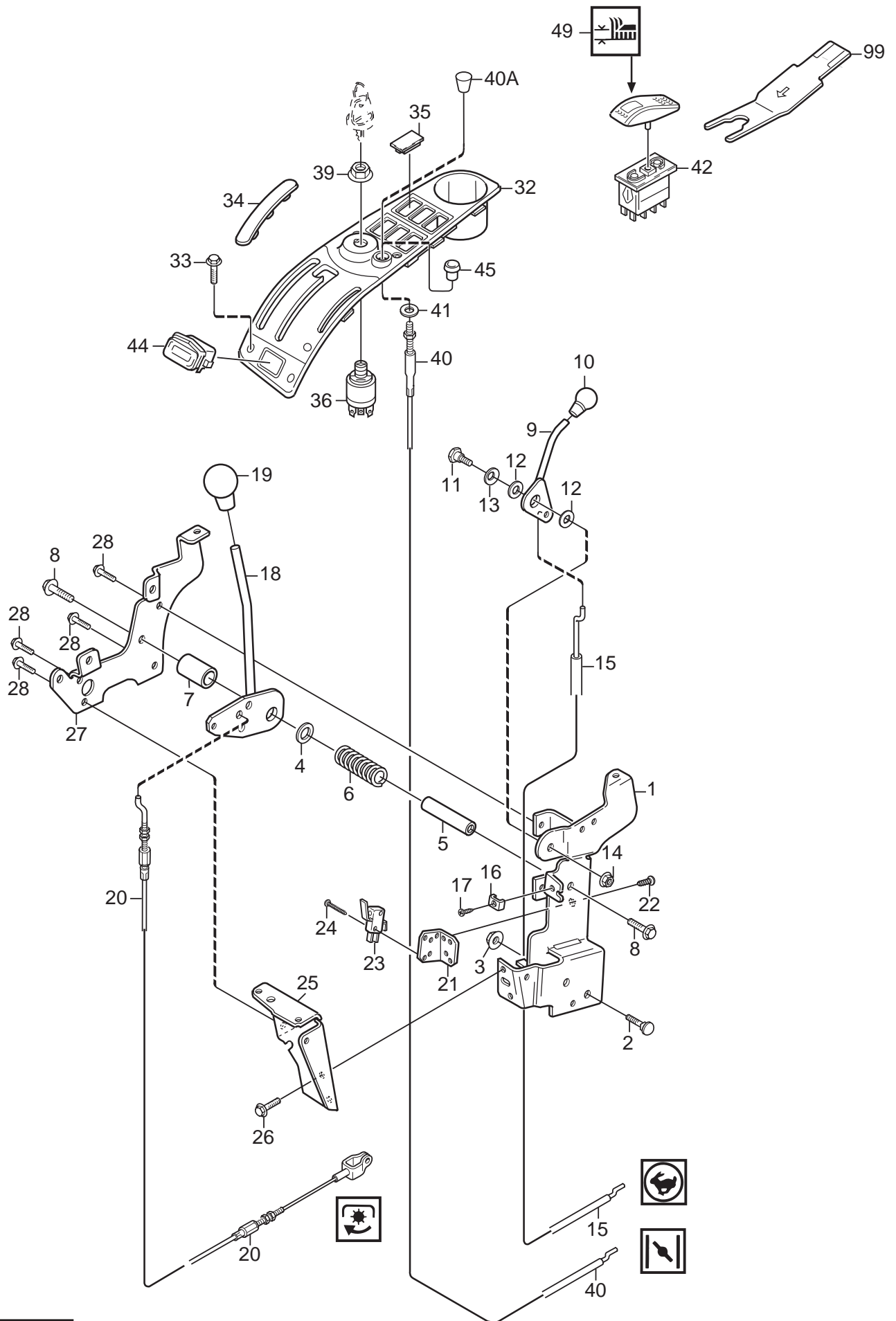
| Utgåva Issue 2007- 11 | | Bildnr Picture No 1787A | | PARK COMFORT- ROYAL- DIESEL EXCELLENT- PRESTIGE STYRNING | | PARK COMFORT- ROYAL- DIESEL EXCELLENT- PRESTIGE STEERING | | Sida Page 74 | |
|-----------------------------|------------------------------|-------------------------------|----|---|-------------------------|---|-------------|---------------------|--|
| Pos. Fig. | Antal/Quantity | | | Art nr Part No | Benämning | Description | Sats Kit | Anmärkning Notes | |
| | 6180 6182 6183 6190 | 6185 6189 6191 6192 | | | | | | | |
| X | 1 | 1 | 1 | 1134- 6374- 10 | Kedja | Chain | | 129 länk | |
| X | 2 | 2 | 2 | 1134- 6374- 09 | Kedja | Chain | | 35 länk | |
| X | 3 | 1 | 1 | 1134- 6374- 02 | Kedja | Chain | | 41 länk | |
| X | 4 | 1 | 1 | 1134- 6374- 05 | Kedja | Chain | | 47 länk | |
| | 5A | 1 | 1 | 1134- 3550- 01 | Ändnippel | End nipple | | L = 110 mm | |
| | 5B | 1 | 1 | 1134- 3550- 02 | Ändnippel | End nipple | | L = 90 mm | |
| | 6 | 4 | 4 | 1134- 3565- 01 | Skarvnippel | Connection nipple | | | |
| X | 7 | 12 | 12 | 1134- 2824- 02 | Kedjelås | Chain lock | | | |
| | 8 | 2 | 2 | 1134- 5652- 01 | Fäste | Attachment | | | |
| | 9 | 4 | 4 | 1134- 5651- 01 | Bygel | Bracket | | | |
| | 10 | 2 | 2 | 1134- 2816- 01 | Kedjehjul | Sprocket | | | |
| | 11 | 2 | 2 | 1134- 0041- 02 | Linhjulshylsa | Idler wheel bush | | | |
| | 12 | 2 | 2 | 1134- 4817- 01 | Kolvstängssprint | Pin | | | |
| | 13 | 2 | 2 | 9699- 0035- 02 | Planbricka | Flat washer | | | |
| | 14 | 2 | 2 | 9599- 0054- 02 | Saxpinne | Cotter pin | | | |
| | 15A | 1 | 1 | 1134- 3817- 01 | Tryckfjäder | Compression spring | | L = 58 mm | |
| | 15B | 1 | 1 | 1134- 3817- 02 | Tryckfjäder | Compression spring | | L = 33 mm | |
| | 16 | 2 | 2 | 9699- 0090- 02 | Planbricka | Flat washer | | | |
| | 17 | 2 | 2 | 9747- 0831- 02 | Mutter | Lock nut | | | |
| | 18 | 4 | 4 | 1134- 2816- 01 | Kedjehjul | Sprocket | | | |
| | 19 | 4 | 4 | 1134- 5653- 01 | Distans | Spacer | | | |
| | 20 | 2 | 2 | 9699- 0035- 02 | Planbricka | Flat washer | | | |
| | 21 | 2 | 2 | 9997- 1060- 12 | Skruv | Screw | | | |
| | 22 | 2 | 2 | 9739- 1031- 22 | Mutter | Nut | | | |
| | 23 | 2 | 2 | 9897- 1060- 12 | Skruv | Screw | | | |
| X | 24 | 2 | 2 | 9731- 1031- 22 | Mutter | Nut | | | |
| | 25 | 3 | 3 | 1134- 3547- 01 | Kedjehjul | Sprocket | | | |
| | 26 | 2 | 2 | 1134- 0041- 01 | Linhjulshylsa | Bushing | | | |
| | 27 | 2 | 2 | 1134- 3022- 01 | Linhållare | Cable holder | | | |
| | 28 | 2 | 2 | 9997- 1040- 16 | Skruv | Screw | | | |
| | 29 | 2 | 2 | 9699- 0035- 02 | Planbricka | Flat washer | | | |
| | 30 | 2 | 2 | 9739- 1031- 22 | Mutter | Nut | | | |
| | 31 | 1 | 1 | 1134- 4120- 04 | Styrkonsol | Steering console | | | |
| | 32 | 4 | 4 | 9897- 0820- 16 | Skruv | Screw | | | |
| | 33 | 4 | 4 | 9739- 0831- 22 | Mutter | Nut | | | |
| | 34 | 1 | 1 | 1134- 1305- 03 | Rattrör- nedre | Steering column- lower | | | |
| | 35 | 2 | 2 | 1134- 1901- 01 | Lager | Bearing | | | |
| | 36 | 1 | 1 | 1134- 2821- 04 | Rattstång | Steering rod | | | |
| | 41 | 2 | 2 | 9893- 0616- 16 | Skruv | Screw | | | |
| | 42 | 1 | 1 | 1134- 2837- 03 | Distans | Spacer | | | |
| | 52 | | 1 | 1134- 5173- 01 | Ratt | Steering wheel | | | |
| | 52 | 1 | | 1134- 5173- 02 | Ratt kpl | Steering wheel assy | | | |
| | 53 | 1 | | 1134- 3769- 01 | • Styrknopp kpl | • Steering wheel button | | | |
| | 54 | 1 | | 1134- 3752- 01 | •• Knoppfäste | •• Knob holder | | | |
| | 55 | 1 | | 9997- 0870- 16 | •• Skruv | •• Screw | | | |
| | 56 | 1 | | 1134- 1565- 06 | •• Distans | •• Spacer | | | |
| | 57 | 3 | | 9699- 0090- 02 | •• Planbricka | •• Flat washer | | | |
| | 58 | 1 | | 9747- 0831- 02 | •• Mutter | •• Lock nut | | | |
| | 59 | 1 | | 9403- 0043- 70 | •• Plugg | •• Plug | | | |
| | 60 | 1 | | 9403- 0113- 00 | •• Mutterhatt | •• Nut cap | | | |
| | 63 | 1 | 1 | 1134- 5216- 01 | Rattrör- inre kpl | Steering tube- inner | | | |
| | 64 | 1 | 1 | 1134- 5177- 01 | • Slid | • Slide | | | |
| | 65 | 1 | 1 | 9710- 0631- 12 | • Fyrkantmutter | • Square nut | | | |
| | 66 | 1 | 1 | 1134- 4481- 02 | Vingmutter | Wing nut | | | |
| | 67 | 1 | 1 | 9997- 0630- 12 | Skruv | Screw | | | |



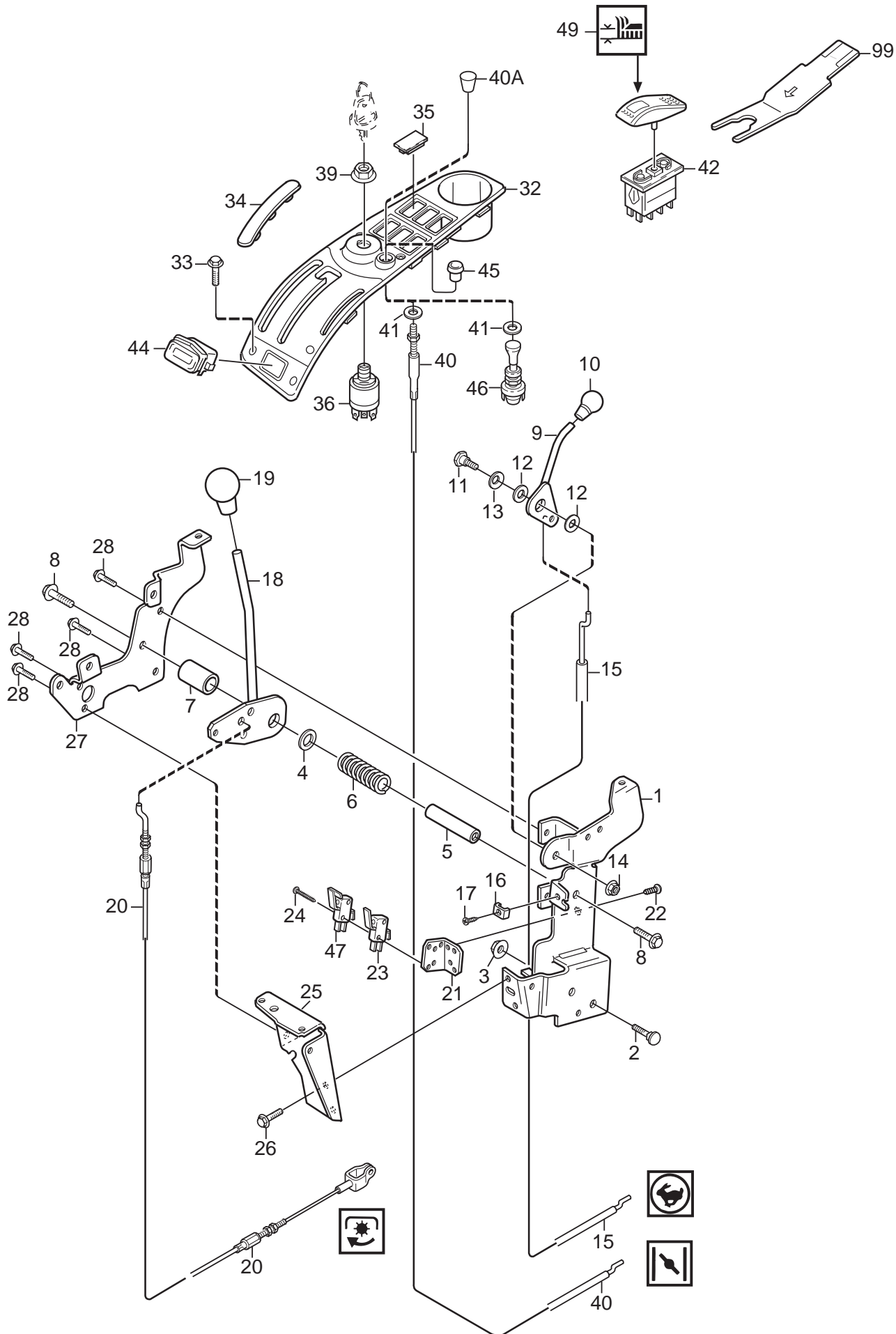
REAR TRANSMISSION



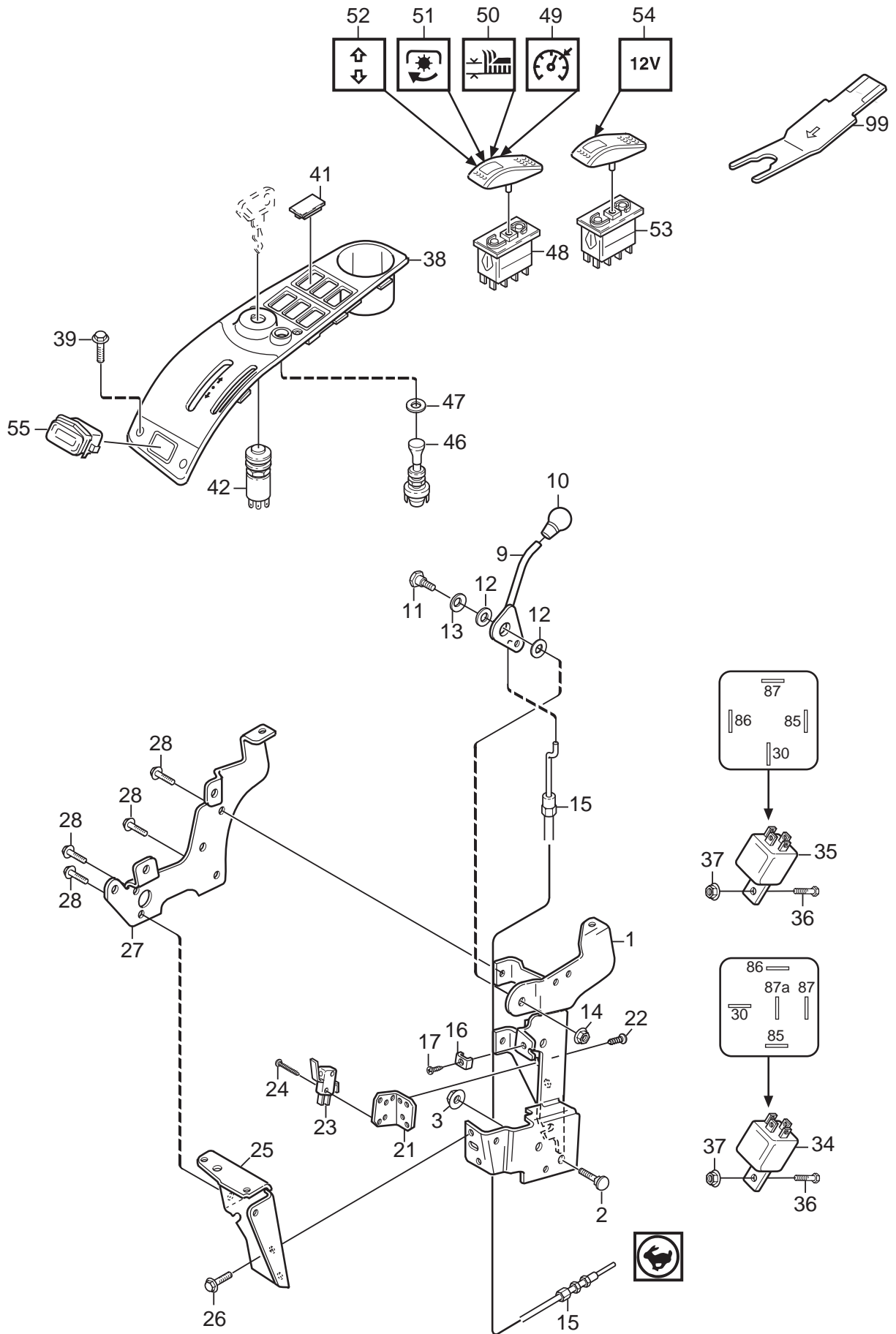
| Utgåva Issue | | Bildnr Picture No | | PARK DIESEL 4WD STYRNING | | PARK DIESEL 4WD STEERING | | Sida Page | |
|-----------------|----------------|----------------------|--|--------------------------------|-------------------|--------------------------------|------------------------------|---------------|--|
| 2007- 11 | | 2204 | | | | | | 76 | |
| Pos. Fig. | Antal/Quantity | | | | Art nr Part No | Benämning | Description | Sats Kit | Anmärkning Notes |
| | 6181 | | | | | | | | |
| X | 1 | 1 | | | 1134-6374-06 | Kedja | Chain..... | | 83 länk 41 länk 45 länk L = 110 mm L = 90 mm |
| X | 2 | 3 | | | 1134-6374-02 | Kedja | Chain..... | | |
| X | 3 | 1 | | | 1134-6374-04 | Kedja | Chain..... | | |
| | 4A | 1 | | | 1134-3550-01 | Ändnippel | End nipple..... | | |
| | 4B | 1 | | | 1134-3550-02 | Ändnippel | End nipple..... | | |
| | 5 | 4 | | | 1134-3565-01 | Skarvnippel..... | Connection nipple..... | | |
| X | 6 | 10 | | | 1134-2824-02 | Kedjelås | Chain lock | | |
| | 7 | 2 | | | 1134-3817-02 | Tryckfjäder..... | Compression spring..... | | |
| | 8 | 2 | | | 9699-0090-02 | Planbricka..... | Flat washer..... | | |
| | 9 | 2 | | | 9747-0831-02 | Mutter..... | Lock nut..... | | |
| | 10 | 4 | | | 1134-2816-01 | Kedjehjul..... | Sprocket..... | | |
| | 11 | 4 | | | 1134-0041-02 | Linhjulshylsa | Idler wheel bush..... | | |
| | 12 | 4 | | | 9699-0035-02 | Planbricka..... | Flat washer..... | | |
| | 13 | 2 | | | 9997-1050-16 | Skruv | Screw..... | | |
| | 14 | 2 | | | 9897-1040-12 | Skruv | Screw..... | | |
| | 15 | 4 | | | 9739-1031-22 | Mutter..... | Nut..... | | |
| | 16 | 3 | | | 1134-3547-01 | Kedjehjul..... | Sprocket..... | | |
| | 17 | 2 | | | 1134-0041-01 | Linhjulshylsa | Bushing..... | | |
| | 18 | 2 | | | 1134-3022-01 | Linhållare..... | Cable holder..... | | |
| | 19 | 2 | | | 9997-1030-16 | Skruv | Screw..... | | |
| | 20 | 2 | | | 9739-1031-22 | Mutter..... | Nut..... | | |
| | 21 | 1 | | | 1134-4120-04 | Styrkonsol | Steering console..... | | |
| | 22 | 4 | | | 9897-0820-16 | Skruv | Screw..... | | |
| | 23 | 4 | | | 9739-0831-22 | Mutter..... | Nut..... | | |
| | 24 | 1 | | | 1134-4113-02 | Rattrör- nedre | Steering tube- lower..... | | |
| | 25 | 1 | | | 9549-0017-00 | Kullager | Ball bearing..... | | |
| | 26 | 1 | | | 9945-0816-16 | Skruv | Screw..... | | |
| | 27 | 1 | | | 1134-4087-01 | Rattstång | Steering rod..... | | |
| | 28 | 1 | | | 1134-4114-01 | Bussning | Bushing..... | | |
| | 29 | 1 | | | 1134-4118-01 | Koppling | Coupling..... | | |
| | 30 | 2 | | | 9595-0256-01 | Spännstift..... | Pin..... | | |
| | 31 | 1 | | | 9695-0011-00 | Bricka | Washer..... | | |
| | 32 | 1 | | | 1134-5173-02 | Ratt kpl..... | Steering wheel assy..... | | |
| | 33 | 1 | | | 1134-3769-01 | • Styrknopp kpl | • Steering wheel button..... | | |
| | 34 | 1 | | | 1134-3752-01 | •• Knoppfäste..... | •• Knob holder..... | | |
| | 35 | 1 | | | 9997-0870-16 | •• Skruv | •• Screw..... | | |
| | 36 | 1 | | | 1134-1565-06 | •• Distans..... | •• Spacer..... | | |
| | 37 | 3 | | | 9699-0090-02 | •• Planbricka..... | •• Flat washer..... | | |
| | 38 | 1 | | | 9747-0831-02 | •• Mutter..... | •• Lock nut..... | | |
| | 39 | 1 | | | 9403-0043-70 | •• Plugg | •• Plug..... | | |
| | 40 | 1 | | | 9403-0113-00 | •• Mutterhatt..... | •• Nut cap..... | | |
| X | 42 | 1 | | | 1134-6420-01 | Momentförstärkare..... | Steering booster..... | | |
| | 42A | 1 | | | 1139-2074-01 | Reparationssats..... | Seal kit..... | | |
| | 43 | 3 | | | 9939-0612-16 | Skruv | Screw..... | | |
| | 48 | 1 | | | 1134-5098-01 | Hydraulslang | Hydraulic tube..... | L = 1690 mm | |
| | 48A | 1 | | | 1134-4282-01 | Hydraulnippel | Hydraulic nipple..... | 9/16" x 9/16" | |
| | 48B | 1 | | | 9404-0028-01 | • O-ring..... | • O-ring..... | | |
| X | 50 | 1 | | | 1134-6295-01 | Hydraulslang | Hydraulic tube..... | L = 1350 mm | |
| | 51 | 2 | | | 1134-5100-01 | Banjokoppling..... | Banjo nipple..... | | |
| | 53 | 1 | | | 1134-5216-01 | Rattrör- inre kpl | Steering tube- inner..... | | |
| | 54 | 1 | | | 1134-5177-01 | • Slid | • Slide..... | | |
| | 55 | 1 | | | 9710-0631-12 | • Fyrkantmutter | • Square nut..... | | |
| | 56 | 1 | | | 1134-4481-02 | Vingmutter..... | Wing nut..... | | |
| | 57 | 1 | | | 9997-0630-12 | Skruv | Screw..... | | |



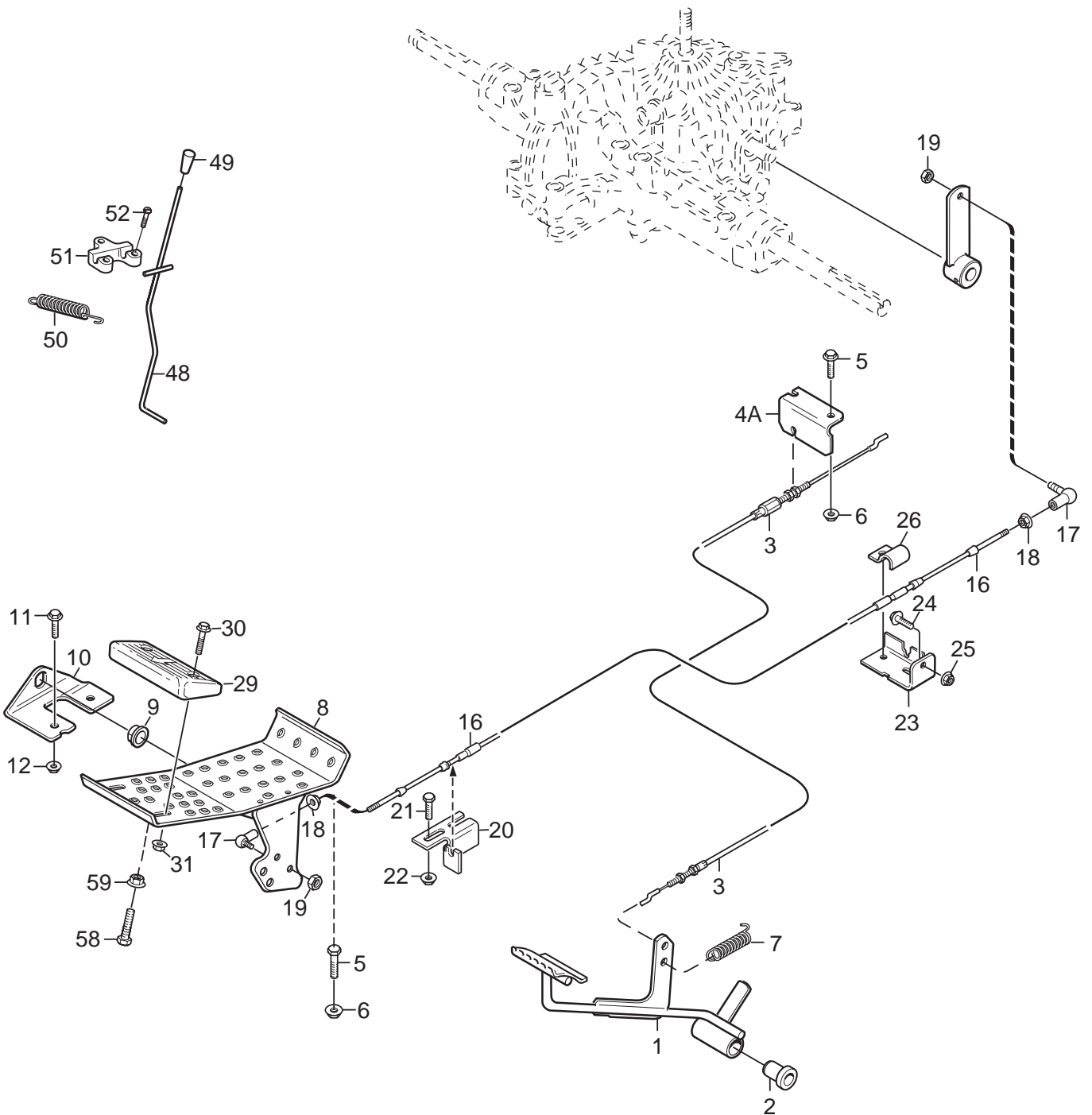
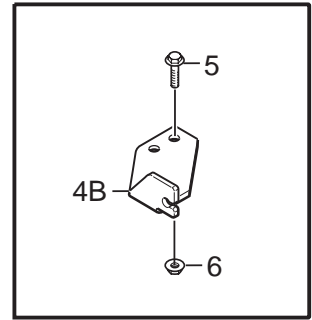
| Utgåva Issue 2007- 11 | | Bildnr Picture No 1991D | | PARK PRESIDENT-UNLIMITED POWER-EXCELLENT HANDREGLAGE | | PARK PRESIDENT-UNLIMITED POWER-EXCELLENT HAND CONTROLS | | Sida Page 78 | |
|-----------------------------|----------------|-------------------------------|------|---|-------------------|---|----------------------------|--------------------|---------------------|
| Pos. Fig. | Antal/Quantity | | | | Art nr Part No | Benämning | Description | Sats Kit | Anmärkning Notes |
| | 6184 | 6187 | 6189 | 6190 6191 6192 | | | | | |
| 1 | 1 | 1 | 1 | 1 | 1134-4156-01 | Vinkelhållare | Panel bracket- inner | | |
| 2 | 2 | 2 | 2 | 2 | 9897-0820-16 | Skruv | Screw | | |
| 3 | 2 | 2 | 2 | 2 | 9739-0831-22 | Mutter | Nut | | |
| 4 | 1 | 1 | 1 | 1 | 9695-0011-00 | Bricka | Washer | | |
| 5 | 1 | 1 | 1 | 1 | 1134-4065-01 | Reglageaxel | Control shaft | | |
| 6 | 1 | 1 | 1 | 1 | 1134-4079-01 | Fjäder | Spring | | |
| 7 | 1 | 1 | 1 | 1 | 1134-4080-03 | Reglagehylsa | Control sleeve | | |
| 8 | 2 | 2 | 2 | 2 | 9959-0820-16 | Skruv | Screw | | |
| 9 | 1 | 1 | 1 | 1 | 1134-4077-01 | Gasreglage | Throttle control | | |
| 10 | 1 | 1 | 1 | 1 | 1134-4078-01 | Knopp | Knob | | |
| 11 | 1 | 1 | 1 | 1 | 1134-0240-00 | Ansatsskruv | Shoulder screw | | |
| 12 | 2 | 2 | 2 | 2 | 1134-4242-01 | Distansbricka | Spacer washer | | |
| 13 | 1 | 1 | 1 | 1 | 9694-0001-00 | Fjäderbricka | Washer | | |
| 14 | 1 | 1 | 1 | 1 | 9747-0831-02 | Mutter | Lock nut | | |
| 15 | | | | | 1134-4195-01 | Gaswire | Throttle cable | | L1 = 1413 mm |
| 15 | | | | 1 | 1134-4195-02 | Gaswire | Throttle cable | | L1 = 1390 mm |
| 15 | | 1 | | | 1134-4195-04 | Gaswire | Throttle cable | | L1 = 1070 mm |
| 15 | 1 | | | | 1134-4197-01 | Gaswire | Throttle cable | | L1 = 925 mm |
| 16 | 1 | 1 | 1 | 1 | 9500-9991-00 | Wireklämman | Cable clamp | | |
| 17 | 1 | 1 | 1 | 1 | 9943-0516-16 | Skruv | Screw | | |
| 18 | 1 | 1 | 1 | 1 | 1134-4072-01 | Aggregatspak | Control lever | | |
| 19 | 1 | 1 | 1 | 1 | 1134-2551-01 | Reglageknopp | Knob | | |
| 20 | 1 | 1 | 1 | 1 | 1134-3573-03 | Wire | PTO cable | | |
| 21 | 1 | 1 | 1 | 1 | 1134-5358-01 | Brytarfäste | Switch bracket | | |
| 22 | 2 | 2 | 2 | 2 | 9852-8013-16 | Skruv | Screw | | |
| 23 | 1 | 1 | 1 | 1 | 9400-0285-01 | Microbrytare | Switch | | |
| 24 | 2 | 2 | 2 | 2 | 9840-7716-16 | Skruv | Screw | | L = 16 mm |
| 25 | 1 | 1 | 1 | 1 | 1134-6328-01 | Frontfäste | Panel bracket- front | | |
| 26 | 2 | 2 | 2 | 2 | 9893-0616-16 | Skruv | Screw | | |
| 27 | 1 | 1 | 1 | 1 | 1134-6327-01 | Frontplåt | Front plate | | |
| 28 | 4 | 4 | 4 | 4 | 9893-0616-16 | Skruv | Screw | | |
| 32 | | 1 | 1 | 1 | 1134-6096-02 | Kassett | Dashboard | | |
| 32 | 1 | | | | 1134-6096-05 | Kassett | Dashboard | | |
| 33 | 4 | 4 | 4 | 4 | 9946-0525-16 | Skruv | Screw | | |
| 34 | 1 | 1 | 1 | 1 | 1134-4154-01 | Täckbricka | Cover | | |
| 35 | 6 | 6 | 5 | 5 | 1134-4129-01 | Täckbricka | Cover | | |
| 36 | 1 | 1 | 1 | 1 | 1134-4093-01 | Tändningslås | Ignition switch | | |
| 39 | 1 | 1 | 1 | 1 | 1134-4749-01 | Mutter | Nut | | |
| 40 | | | | | 1134-2872-02 | Chokereglage | Choke control | | |
| 40 | | | | 1 | 1134-2872-03 | Chokereglage | Choke control | | |
| 40 | | 1 | | | 1134-2872-05 | Chokereglage | Choke control | | |
| 40A | | 1 | 1 | 1 | 1134-4338-01 | • Reglageknopp | • Control knob | | |
| 41 | | 1 | 1 | 1 | 9699-0090-02 | Planbricka | Flat washer | | |
| 42 | | | 1 | 1 | 9400-0282-01 | Brytare m. diod | Switch w. diode | | |
| 44 | 1 | 1 | 1 | 1 | 1134-6097-01 | Timräknare | Hour meter | | |
| 45 | 1 | | | 1 | 1134-4100-01 | Täckpropp | Plug | | |
| 49 | | | 1 | 1 | 9400-0280-03 | Vippa- höjdställning | Cover- height adjust | | |
| 99 | | | 1 | 1 | 9400-0290-01 | Verktyg f. vippa | Tool for cover | | |



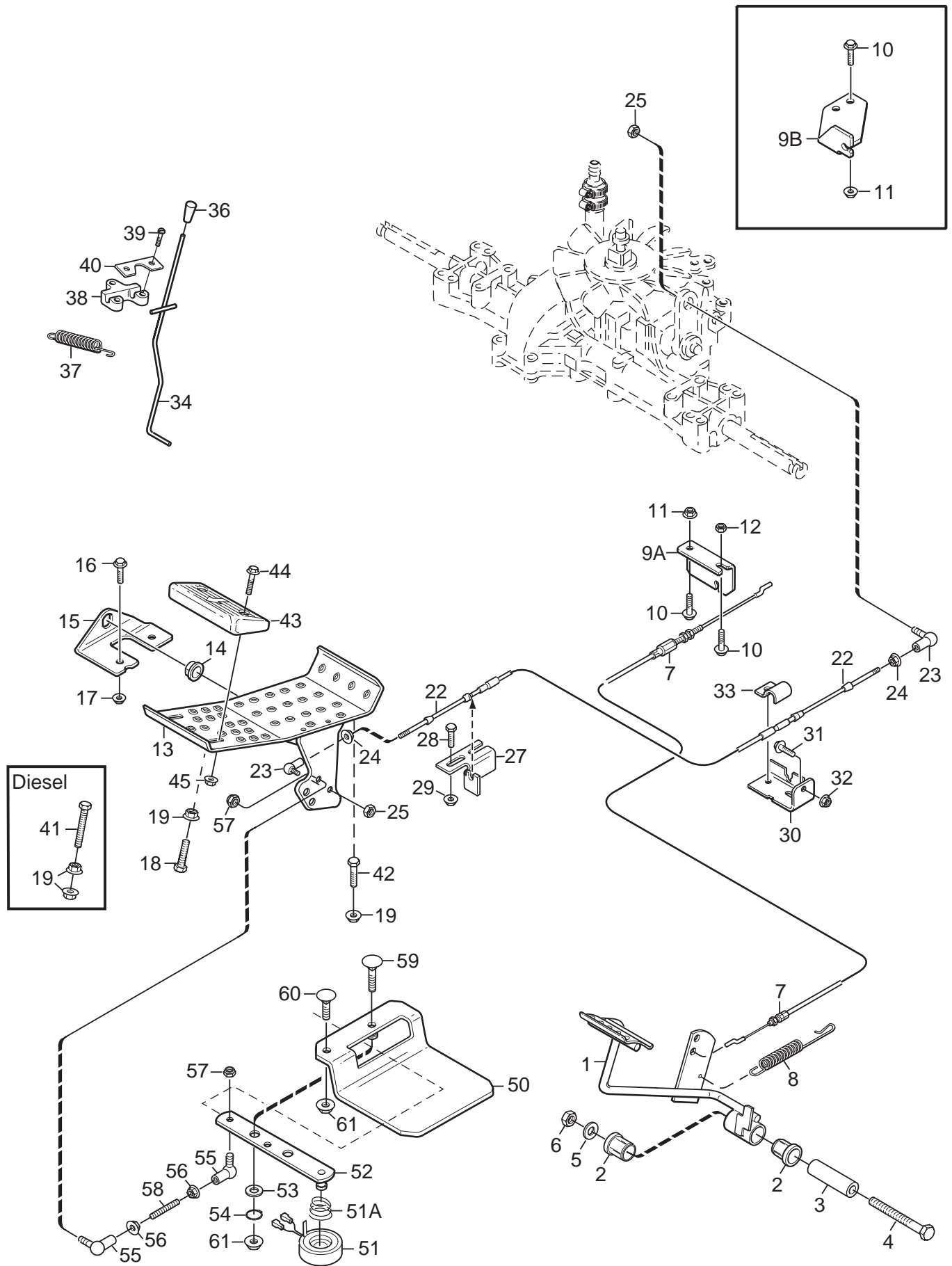
| Utgåva Issue 2007- 11 | | Bildnr Picture No 1991C | | | | PARK COMFORT- ROYAL- DIESEL PRESTIGE HANDREGLAGE | | PARK COMFORT- ROYAL- DIESEL PRESTIGE HAND CONTROLS | | Sida Page 80 | |
|-----------------------------|----------------|-------------------------------|------|------|-------------------|---|----------------------------|---|---------------------|--------------------|--|
| Pos. Fig. | Antal/Quantity | | | | Art nr Part No | Benämning | Description | Sats Kit | Anmärkning Notes | | |
| | 6182 | 6183 | 6180 | 6185 | | | | | | | |
| 1 | 1 | 1 | 1 | 1 | 1134-4156-01 | Vinkelhållare | Panel bracket- inner | | | | |
| 2 | 2 | 2 | 2 | 2 | 9897-0820-16 | Skruv | Screw | | | | |
| 3 | 2 | 2 | 2 | 2 | 9739-0831-22 | Mutter | Nut | | | | |
| 4 | 1 | 1 | 1 | 1 | 9695-0011-00 | Bricka | Washer | | | | |
| 5 | 1 | 1 | 1 | 1 | 1134-4065-01 | Reglageaxel | Control shaft | | | | |
| 6 | 1 | 1 | 1 | 1 | 1134-4079-01 | Fjäder | Spring | | | | |
| 7 | 1 | 1 | 1 | 1 | 1134-4080-03 | Reglagehylsa | Control sleeve | | | | |
| 8 | 2 | 2 | 2 | 2 | 9959-0820-16 | Skruv | Screw | | | | |
| 9 | 1 | 1 | 1 | 1 | 1134-4077-01 | Gasreglage | Throttle control | | | | |
| 10 | 1 | 1 | 1 | 1 | 1134-4078-01 | Knopp | Knob | | | | |
| 11 | 1 | 1 | 1 | 1 | 1134-0240-00 | Ansattsskruv | Shoulder screw | | | | |
| 12 | 2 | 2 | 2 | 2 | 1134-4242-01 | Distansbricka | Spacer washer | | | | |
| 13 | 1 | 1 | 1 | 1 | 9694-0001-00 | Fjäderbricka | Washer | | | | |
| 14 | 1 | 1 | 1 | 1 | 9747-0831-02 | Mutter | Lock nut | | | | |
| 15 | | | 1 | | 1134-4195-01 | Gaswire | Throttle cable | | L1 = 1413 mm | | |
| 15 | | | | 1 | 1134-4195-04 | Gaswire | Throttle cable | | L1 = 1070 mm | | |
| 15 | 1 | | | | 1134-4197-01 | Gaswire | Throttle cable | | L1 = 925 mm | | |
| 15 | | | 1 | | 1134-4923-01 | Gaswire | Throttle cable | | L1 = 880 mm | | |
| 16 | 1 | 1 | 1 | 1 | 9500-9991-00 | Wireklämna | Cable clamp | | | | |
| 17 | 1 | 1 | 1 | 1 | 9943-0516-16 | Skruv | Screw | | | | |
| 18 | 1 | 1 | 1 | 1 | 1134-4072-01 | Aggregatspak | Control lever | | | | |
| 19 | 1 | 1 | 1 | 1 | 1134-2551-01 | Reglageknopp | Knob | | | | |
| 20 | 1 | 1 | 1 | 1 | 1134-3573-03 | Wire | PTO cable | | | | |
| 21 | 1 | 1 | 1 | 1 | 1134-5358-01 | Brytarfäste | Switch bracket | | | | |
| 22 | 2 | 2 | 2 | 2 | 9852-8013-16 | Skruv | Screw | | | | |
| 23 | 1 | 1 | 1 | 1 | 9400-0285-01 | Microbrytare | Switch | | | | |
| 24 | 2 | 2 | 2 | 2 | 9840-7716-16 | Skruv | Screw | | L = 16 mm | | |
| 24 | | | 2 | | 9847-7732-16 | Skruv | Screw | | L = 32 mm | | |
| X 25 | 1 | 1 | 1 | 1 | 1134-6328-01 | Frontfäste | Panel bracket- front | | | | |
| 26 | 2 | 2 | 2 | 2 | 9893-0616-16 | Skruv | Screw | | | | |
| X 27 | 1 | 1 | 1 | 1 | 1134-6327-01 | Frontplåt | Front plate | | | | |
| 28 | 4 | 4 | 4 | 4 | 9893-0616-16 | Skruv | Screw | | | | |
| 32 | 1 | 1 | 1 | 1 | 1134-6096-02 | Kassett | Dashboard | | | | |
| 32 | 1 | | | | 1134-6096-05 | Kassett | Dashboard | | | | |
| 33 | 4 | 4 | 4 | 4 | 9946-0525-16 | Skruv | Screw | | | | |
| 34 | 1 | 1 | 1 | 1 | 1134-4154-01 | Täckbricka | Cover | | | | |
| 35 | 5 | 5 | 5 | 5 | 1134-4129-01 | Täckbricka | Cover | | | | |
| 36 | 1 | 1 | | 1 | 1134-4093-01 | Tändningslås | Ignition switch | | | | |
| 36 | | | 1 | | 1134-4908-01 | Tändningslås | Ignition switch | | | | |
| 39 | 1 | 1 | | 1 | 1134-4749-01 | Mutter | Nut | | | | |
| 40 | | 1 | | | 1134-2872-03 | Chokereglage | Choke control | | | | |
| 40 | | | | 1 | 1134-2872-05 | Chokereglage | Choke control | | | | |
| 40A | | 1 | | 1 | 1134-4338-01 | • Reglageknopp | • Control knob | | | | |
| 41 | | 1 | 1 | 1 | 9699-0090-02 | Planbricka | Flat washer | | | | |
| 42 | 1 | 1 | 1 | 1 | 9400-0282-01 | Brytare m.diod | Switch w.diode | | | | |
| 44 | 1 | 1 | 1 | 1 | 1134-6097-01 | Timräknare | Hour meter | | | | |
| 45 | 1 | | | | 1134-4100-01 | Täckpropp | Plug | | | | |
| 46 | | | 1 | | 9400-0296-01 | Dragströmbrytare | Switch | | | | |
| 47 | | | 1 | | 1134-4697-02 | Mikrobrytare | Switch | | | | |
| 49 | 1 | 1 | 1 | 1 | 9400-0280-03 | Vippa- höjdställning | Cover- height adjust | | | | |
| 99 | 1 | 1 | 1 | 1 | 9400-0290-01 | Verktyg f.vippa | Tool for cover | | Tillbehör/Accessory | | |



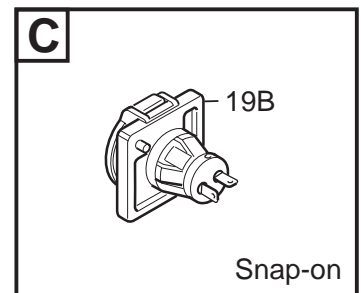
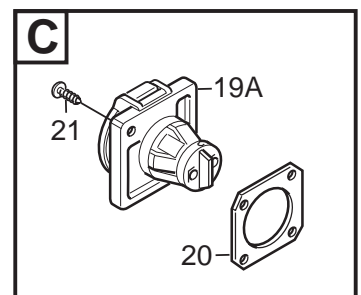
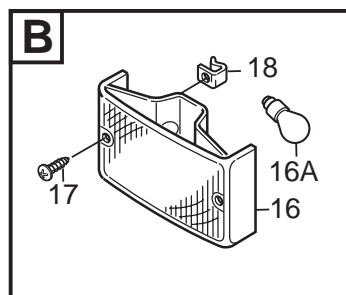
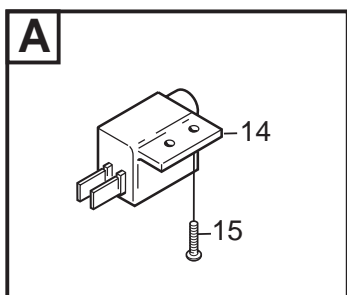
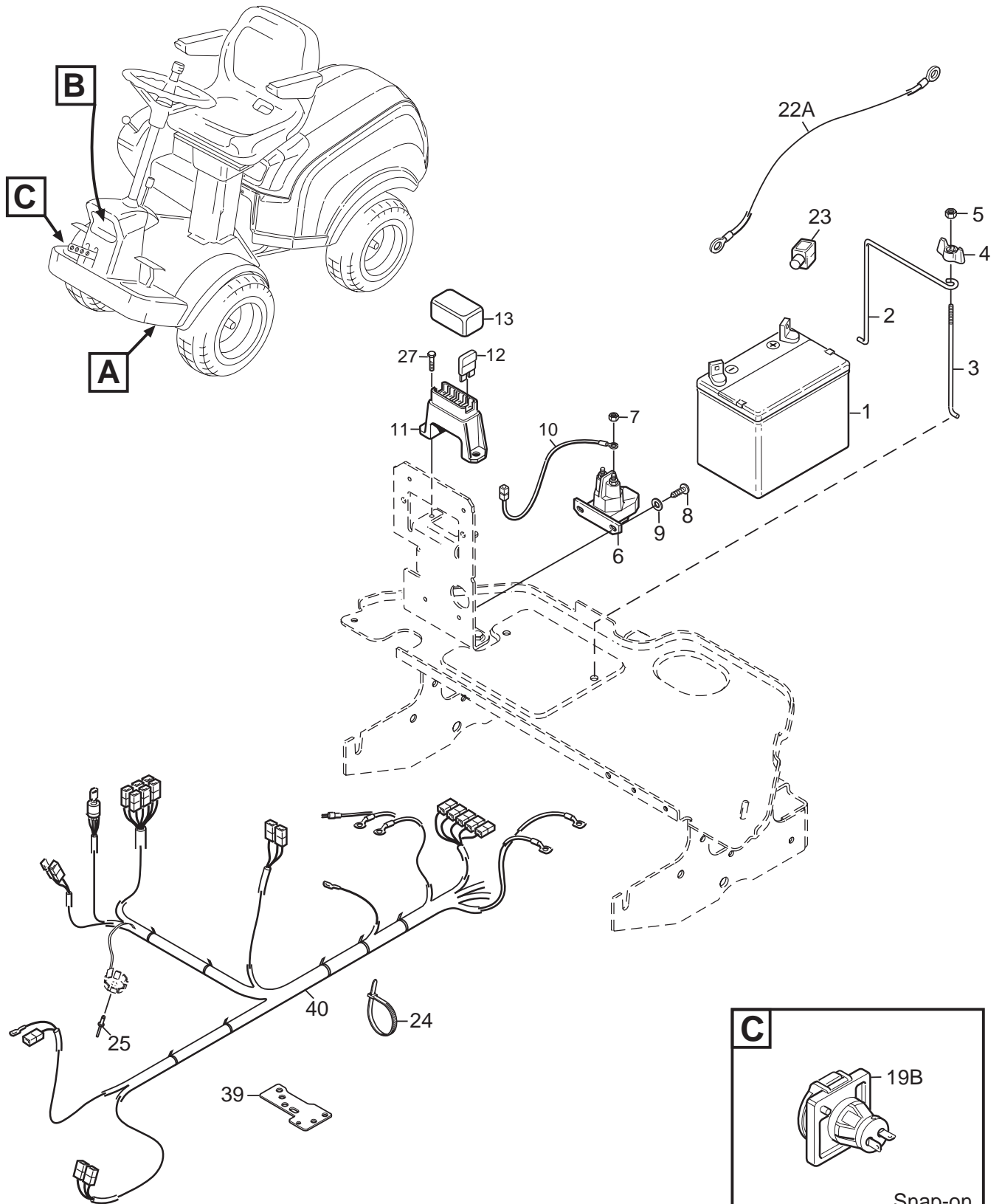
| Utgåva Issue 2007- 11 | | Bildnr Picture No 2205 | | PARK DIESEL 4WD HANDREGLAGE | | PARK DIESEL 4WD HAND CONTROLS | | Sida Page 82 | |
|-----------------------------|----------------|------------------------------|--|-----------------------------------|-------------------|-------------------------------------|-----------------------------|---------------------|---------------------|
| Pos. Fig. | Antal/Quantity | | | | Art nr Part No | Benämning | Description | Sats Kit | Anmärkning Notes |
| | 6181 | | | | | | | | |
| X | 1 | 1 | | | 1134-6324-01 | Vinkelhållare | Panel bracket | | L1 = 880 mm |
| | 2 | 2 | | | 9897-0820-16 | Skruv | Screw | | |
| | 3 | 2 | | | 9739-0831-22 | Mutter | Nut | | |
| | 9 | 1 | | | 1134-4077-01 | Gasreglage | Throttle control | | |
| | 10 | 1 | | | 1134-4078-01 | Knopp | Knob | | |
| | 11 | 1 | | | 1134-0240-00 | Ansatsskruv | Shoulder screw | | |
| | 12 | 2 | | | 1134-4242-01 | Distansbricka | Spacer washer | | |
| | 13 | 1 | | | 9694-0001-00 | Fjäderbricka | Washer | | |
| | 14 | 1 | | | 9747-0831-02 | Mutter | Lock nut | | |
| | 15 | 1 | | | 1134-4923-01 | Gaswire | Throttle cable | | |
| | 16 | 1 | | | 9500-9991-00 | Wireklämma | Cable clamp | | |
| | 17 | 1 | | | 9943-0516-16 | Skruv | Screw | | |
| | 21 | 1 | | | 1134-5358-01 | Brytarfäste | Switch bracket | | |
| | 22 | 2 | | | 9852-8013-16 | Skruv | Screw | | |
| | 23 | 1 | | | 9400-0285-01 | Microbrytare | Switch | | |
| | 24 | 2 | | | 9847-7732-16 | Skruv | Screw | | |
| X | 25 | 1 | | | 1134-6328-01 | Frontfäste | Panel bracket- front | | |
| X | 26 | 2 | | | 9893-0616-16 | Skruv | Screw | | |
| X | 27 | 1 | | | 1134-6327-01 | Frontplåt | Front plate | | |
| | 28 | 4 | | | 9893-0616-16 | Skruv | Screw | | |
| | 34 | 1 | | | 1134-2871-03 | Relä | Relay | | |
| | 35 | 2 | | | 1134-2871-01 | Relä | Relay | | |
| | 36 | 3 | | | 9997-0512-16 | Skruv | Screw | | |
| | 37 | 3 | | | 9739-0531-22 | Mutter | Nut | | |
| X | 38 | 1 | | | 1134-6096-08 | Kassett | Dashboard | | |
| | 39 | 4 | | | 9946-0525-16 | Skruv | Screw | | |
| | 41 | 1 | | | 1134-4129-01 | Täckbricka | Cover | | |
| | 42 | 1 | | | 1134-4908-01 | Tändningslås | Ignition switch | | |
| | 46 | 1 | | | 9400-0296-01 | Dragströmbrytare | Switch | | |
| | 47 | 2 | | | 9699-0090-02 | Planbricka | Flat washer | | |
| | 48 | 4 | | | 9400-0282-01 | Brytare m.diod | Switch w.diode | | |
| | 49 | 1 | | | 9400-0280-02 | Vippa- farthållare | Cover- cruise control | | |
| | 50 | 1 | | | 9400-0280-03 | Vippa- höjdställning | Cover- height adjust | | |
| | 51 | 1 | | | 9400-0280-01 | Vippa- kraftuttag | Cover- PTO | | |
| | 52 | 1 | | | 9400-0280-04 | Vippa- bakräfsa | Cover- rear rake | | |
| | 53 | 1 | | | 9400-0283-01 | Brytare | Switch | | |
| | 54 | 1 | | | 9400-0280-05 | Vippa- 12V | Cover- 12V | | |
| | 55 | 1 | | | 1134-6097-01 | Timräknare | Hour meter | | |
| | 99 | 1 | | | 9400-0290-01 | Verktyg f.vippa | Tool for cover | Tillbehör/Accessory | |



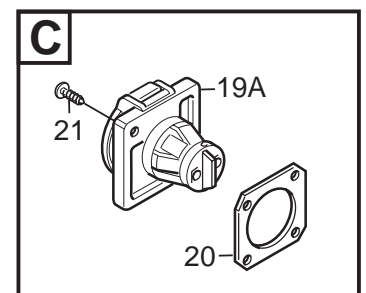
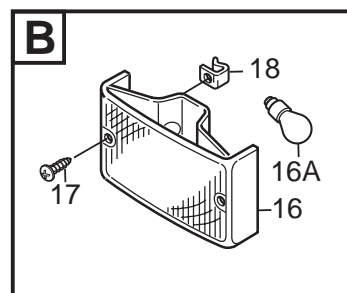
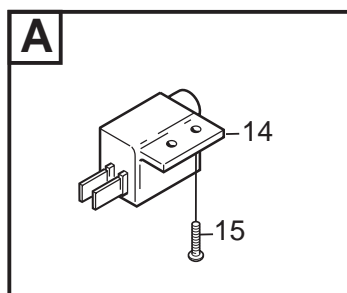
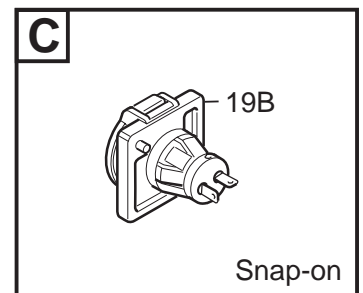
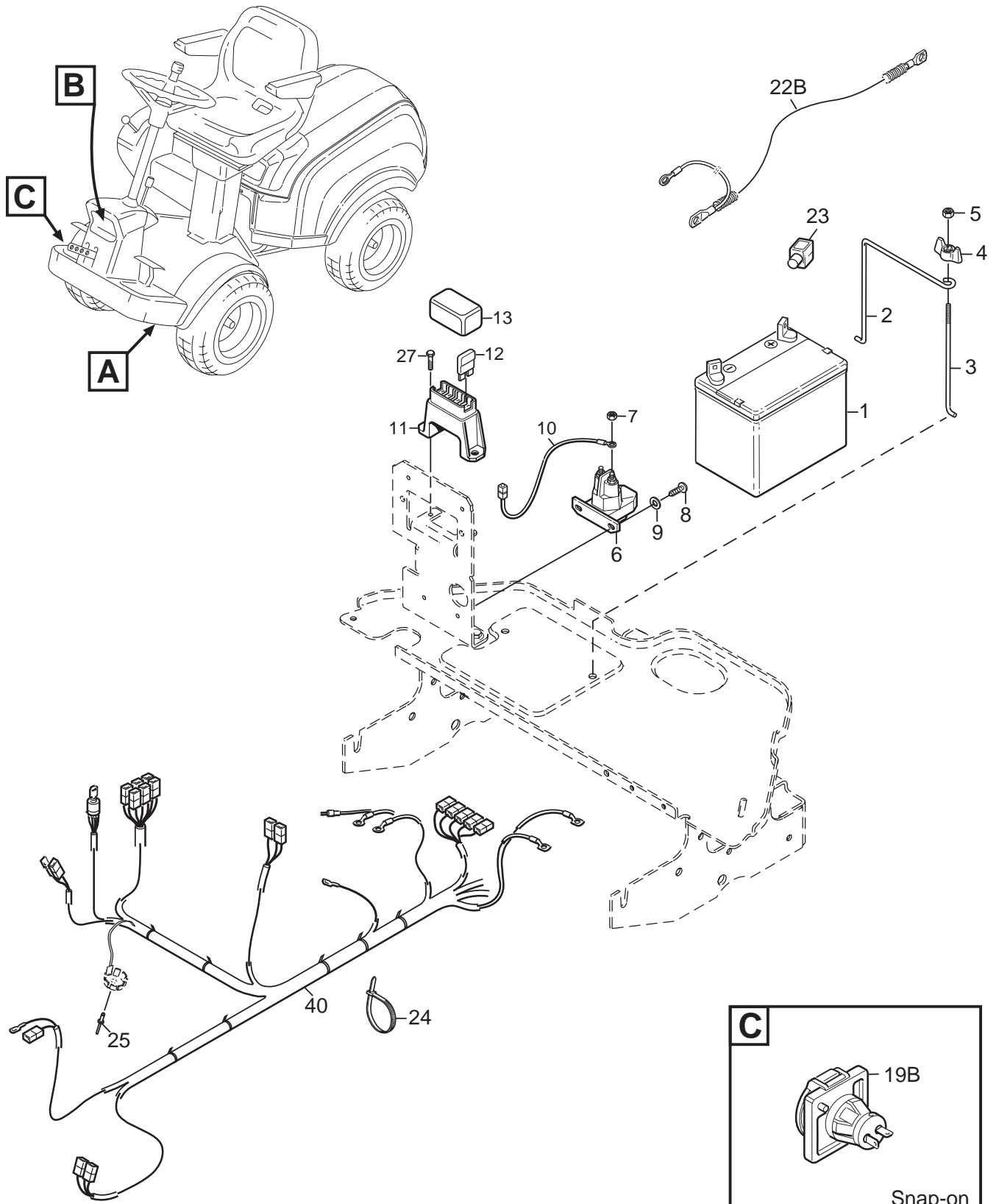
| Utgåva Issue 2007- 11 | | Bildnr Picture No 1992C | | PARK 2WD FOTREGLAGE | | PARK 2WD FOOT CONTROLS | | Sida Page 84 | |
|-----------------------------|----------------------|-------------------------------|---|------------------------|-------------------|---------------------------|---------------------------|--------------------|---------------------|
| Pos. Fig. | Antal/Quantity | | | | Art nr Part No | Benämning | Description | Sats Kit | Anmärkning Notes |
| | 6182 6183 6190 | 6184 6187 6189 | | 6180 | | | | | |
| | 1 | 1 | 1 | 1 | 1134-4247-01 | Broms/kopplingspedal..... | Brake/clutch pedal..... | | |
| | 2 | 1 | 1 | 1 | 1134-9024-01 | • Lager | • Bearing | | Sats 4 st/kit of 4 |
| | 3 | 1 | 1 | 1 | 1134-3584-03 | Broms/kopplingswire..... | Brake/clutch cable | | |
| | 4A | 1 | 1 | | 1134-3906-01 | Wirefäste | Cable holder | | |
| | 4B | | | 1 | 1134-6052-01 | Wirefäste | Cable holder | | |
| | 5 | 3 | 3 | 3 | 9959-0820-16 | Skruv | Screw | | |
| | 6 | 3 | 3 | 3 | 9739-0831-22 | Mutter | Nut | | |
| | 7 | 1 | 1 | 1 | 1134-3974-01 | Fjäder..... | Spring | | |
| X | 8 | 1 | 1 | 1 | 1134-6353-01 | Drivpedal | Drive pedal | | |
| X | 9 | 2 | 2 | 2 | 1134-6313-01 | Lager | Bearing | | |
| | 10 | 2 | 2 | 2 | 1134-2700-01 | Fäste | Bracket | | |
| | 11 | 2 | 2 | 2 | 9959-0820-16 | Skruv | Screw | | |
| | 12 | 2 | 2 | 2 | 9739-0831-22 | Mutter | Nut | | |
| | 16 | 1 | 1 | 1 | 1134-2766-05 | Reglagewire..... | Speed control cable | | |
| | 17 | 2 | 2 | 2 | 9570-0001-00 | Vinkellänk | Elbow link | | |
| | 18 | 2 | 2 | 2 | 9739-0531-22 | Mutter | Nut | | |
| | 19 | 2 | 2 | 2 | 9747-0531-02 | Mutter | Nut | | |
| X | 20 | 1 | 1 | 1 | 1134-6317-01 | Wirefäste | Cable holder | | |
| | 21 | 2 | 2 | 2 | 9959-0620-16 | Skruv | Screw | | |
| | 22 | 2 | 2 | 2 | 9739-0631-22 | Mutter | Nut | | |
| | 23 | 1 | 1 | 1 | 1134-3395-01 | Fäste | Attachment..... | | |
| | 24 | 2 | 2 | 2 | 9959-0820-16 | Skruv | Screw | | L = 20 mm |
| | 25 | 2 | 2 | 2 | 9739-0831-22 | Mutter | Nut | | |
| | 26 | 1 | 1 | 1 | 1134-2021-01 | Växelwirefäste | Clamp..... | | |
| X | 29 | 2 | | 2 | 1134-6340-01 | Fotstöd | Foot rest..... | | |
| | 30 | 4 | | 4 | 9959-0620-16 | Skruv | Screw | | |
| | 31 | 4 | | 4 | 9739-0631-22 | Mutter | Nut | | |
| | 48 | | 1 | 1 | 1134-5101-01 | Bromsstång | Brake rod | | |
| | 49 | 1 | 1 | 1 | 1134-3808-01 | Knopp..... | Knob | | |
| | 50 | 1 | 1 | 1 | 1131-1497-01 | Fjäder..... | Spring | | |
| | 51 | 1 | 1 | 1 | 1134-4002-01 | Fäste | Brake rod attachment..... | | |
| | 52 | 3 | 3 | 3 | 9838-9516-12 | Skruv | Screw | | |
| | 58 | 1 | 1 | 1 | 9997-0835-16 | Skruv | Screw | | |
| | 59 | 1 | 1 | 1 | 9739-0831-22 | Mutter..... | Nut | | |



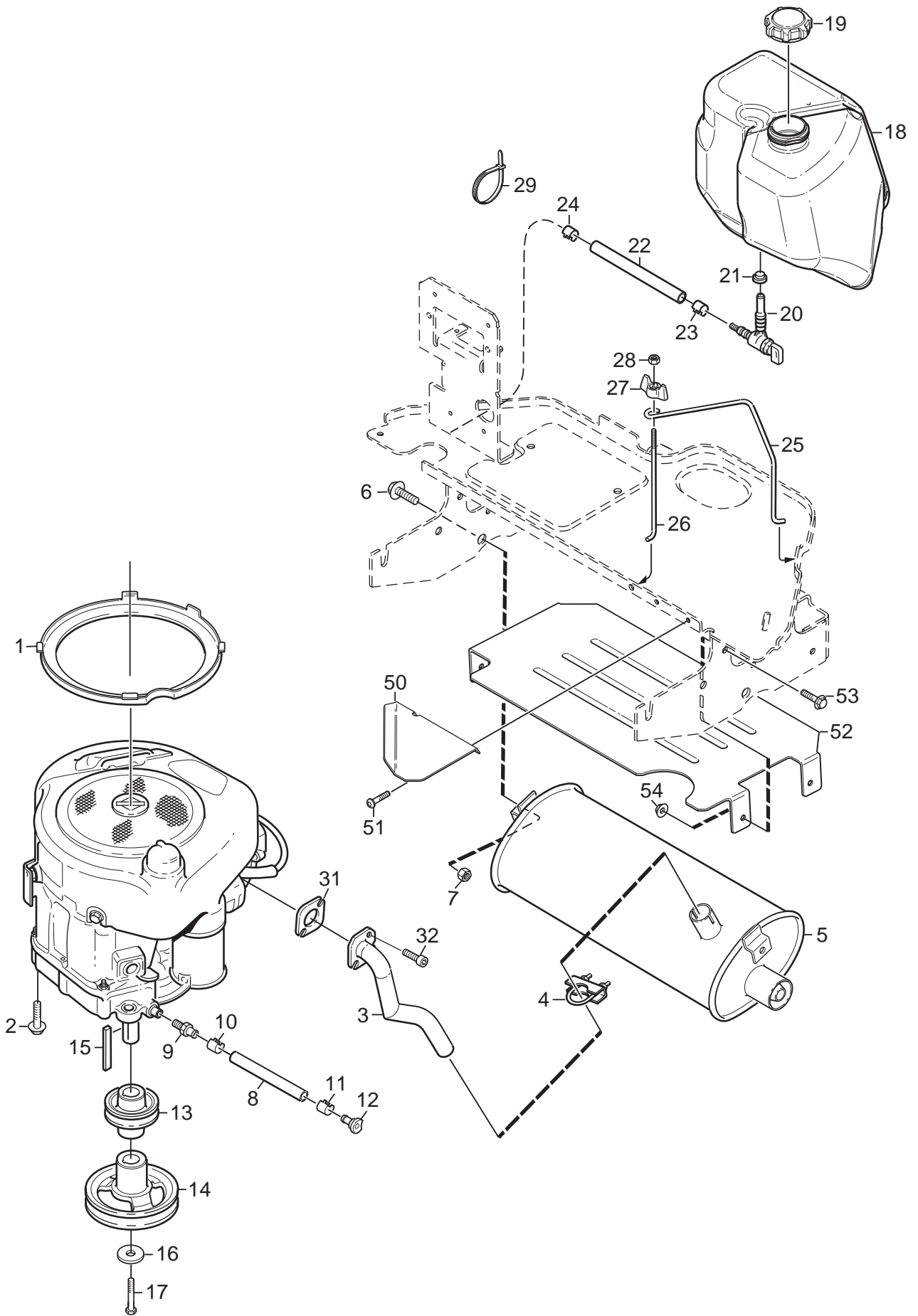
| Utgåva Issue 2007- 11 | | Bildnr Picture No 2206 | | PARK 4WD PRESTIGE- DIESEL UNLTD (IT)- POWER (CZ) FOTREGLAGE | | PARK 4WD PRESTIGE- DIESEL UNLTD (IT)- POWER (CZ) FOOT CONTROLS | | Sida Page 86 | |
|-----------------------------|----------------------|------------------------------|---|--|-------------------|---|---------------------------|--------------------|---------------------|
| Pos. Fig. | Antal/Quantity | | | | Art nr Part No | Benämning | Description | Sats Kit | Anmärkning Notes |
| | 6185 6191 6192 | 6181 | | | | | | | |
| | 1 | 1 | | | 1134- 5655- 01 | Broms/kopplingspedal..... | Brake/clutch pedal..... | | Sats 4 st/kit of 4 |
| | 2 | 1 | | | 1134- 9024- 01 | Lager..... | Bearing..... | | |
| | 3 | 1 | | | 1134- 5677- 02 | Distans..... | Spacer..... | | |
| | 4 | 1 | | | 9997- 1070- 12 | Skruv..... | Screw..... | | |
| | 5 | 1 | | | 9699- 0030- 02 | Planbricka..... | Flat washer..... | | |
| | 6 | 1 | | | 9739- 1031- 22 | Mutter..... | Nut..... | | |
| | 7 | 1 | | | 1134- 6005- 01 | Wire..... | Cable..... | | |
| | 8 | 1 | | | 4231- 0013- 00 | Fjäder..... | Spring..... | | |
| | 9A | 1 | | | 1134- 3906- 01 | Wirefäste..... | Cable holder..... | | |
| | 9B | | 1 | | 1134- 6052- 01 | Wirefäste..... | Cable holder..... | | |
| | 10 | 2 | 2 | | 9959- 0820- 16 | Skruv..... | Screw..... | | |
| | 11 | 1 | 2 | | 9739- 0831- 22 | Mutter..... | Nut..... | | |
| | 12 | 1 | | | 9747- 0831- 02 | Mutter..... | Lock nut..... | | |
| X | 13 | 1 | 1 | | 1134- 6353- 01 | Drivpedal..... | Drive pedal..... | | |
| X | 14 | 2 | 2 | | 1134- 6313- 01 | Lager..... | Bearing..... | | |
| | 15 | 2 | 2 | | 1134- 2700- 01 | Fäste..... | Bracket..... | | |
| | 16 | 2 | 2 | | 9959- 0820- 16 | Skruv..... | Screw..... | | |
| | 17 | 2 | 2 | | 9739- 0831- 22 | Mutter..... | Nut..... | | |
| | 18 | 1 | | | 9997- 0835- 16 | Skruv..... | Screw..... | | |
| | 19 | 1 | 3 | | 9739- 0831- 22 | Mutter..... | Nut..... | | |
| | 22 | 1 | 1 | | 1134- 2766- 05 | Reglagewire..... | Speed control cable..... | | |
| | 23 | 2 | 2 | | 9570- 0001- 00 | Vinkellänk..... | Elbow link..... | | |
| | 24 | 2 | 2 | | 9739- 0531- 22 | Mutter..... | Nut..... | | |
| X | 25 | 2 | 2 | | 9747- 0531- 02 | Mutter..... | Nut..... | | |
| | 27 | 1 | 1 | | 1134- 6317- 01 | Wirefäste..... | Cable holder..... | | |
| | 28 | 2 | 2 | | 9959- 0620- 16 | Skruv..... | Screw..... | | |
| | 29 | 2 | 2 | | 9739- 0631- 22 | Mutter..... | Nut..... | | |
| | 30 | 1 | 1 | | 1134- 3395- 01 | Fäste..... | Attachment..... | | |
| | 31 | 2 | 2 | | 9959- 0820- 16 | Skruv..... | Screw..... | | |
| | 32 | 2 | 2 | | 9739- 0831- 22 | Mutter..... | Nut..... | | |
| | 33 | 1 | 1 | | 1134- 2021- 01 | Växelwirefäste..... | Clamp..... | | |
| | 34 | 1 | 1 | | 1134- 5101- 01 | Bromsstång..... | Brake rod..... | | |
| | 36 | 1 | 1 | | 1134- 3808- 01 | Knopp..... | Knob..... | | |
| | 37 | 1 | 1 | | 1131- 1497- 01 | Fjäder..... | Spring..... | | |
| | 38 | 1 | 1 | | 1134- 4002- 01 | Fäste..... | Brake rod attachment..... | | |
| | 39 | 3 | 3 | | 9838- 9516- 12 | Skruv..... | Screw..... | | |
| | 40 | | 1 | | 1134- 4944- 01 | Plåt..... | Stop plate..... | | |
| | 41 | | 1 | | 9997- 0870- 16 | Skruv..... | Screw..... | | |
| | 42 | | 1 | | 9959- 0820- 16 | Skruv..... | Screw..... | | |
| X | 43 | 2 | 2 | | 1134- 6340- 01 | Fotstöd..... | Foot rest..... | | |
| | 44 | 4 | 4 | | 9959- 0620- 16 | Skruv..... | Screw..... | | |
| | 45 | 4 | 4 | | 9739- 0631- 22 | Mutter..... | Nut..... | | |
| X | 50 | | 1 | | 1134- 6356- 01 | Farthållarplåt..... | Speed control plate..... | | |
| X | 51 | | 1 | | 1134- 2859- 02 | Magnet kpl..... | Magneto assy..... | | |
| | 51A | | 1 | | 1134- 2858- 01 | • Fjäder..... | • Spring..... | | |
| X | 52 | | 1 | | 1134- 6358- 01 | Arm..... | Lever..... | | |
| | 53 | | 1 | | 9699- 0036- 02 | Planbricka..... | Flat washer..... | | |
| | 54 | | 1 | | 9650- 0012- 04 | Seegersäkkring..... | Circlip..... | | |
| | 55 | | 2 | | 9570- 0001- 00 | Vinkellänk..... | Elbow link..... | | |
| | 56 | | 2 | | 9739- 0531- 22 | Mutter..... | Nut..... | | |
| | 57 | | 2 | | 9747- 0531- 02 | Mutter..... | Nut..... | | |
| X | 58 | | 1 | | 1134- 6361- 02 | Skruvstång..... | Screw rod..... | | |
| | 59 | | 1 | | 9897- 0640- 12 | Skruv..... | Screw..... | L = 40 mm | |
| | 60 | | 1 | | 9897- 0616- 16 | Vagnsbult..... | Carriage bolt..... | L = 16 mm | |
| | 61 | | 2 | | 9739- 0631- 22 | Mutter..... | Nut..... | | |



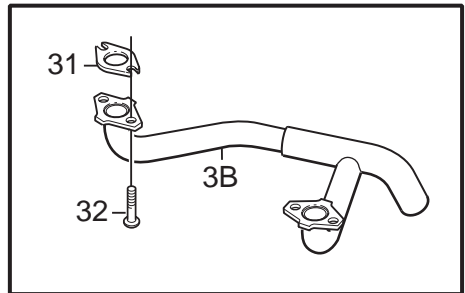
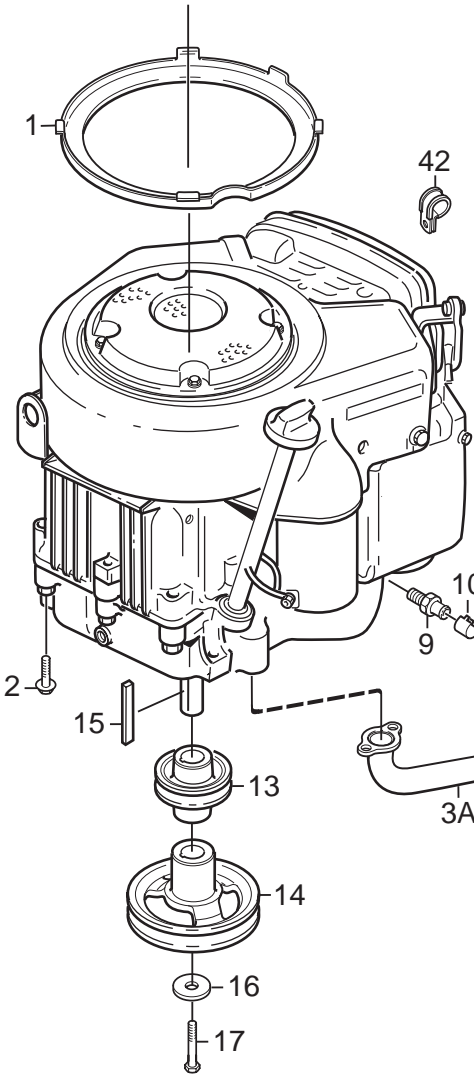
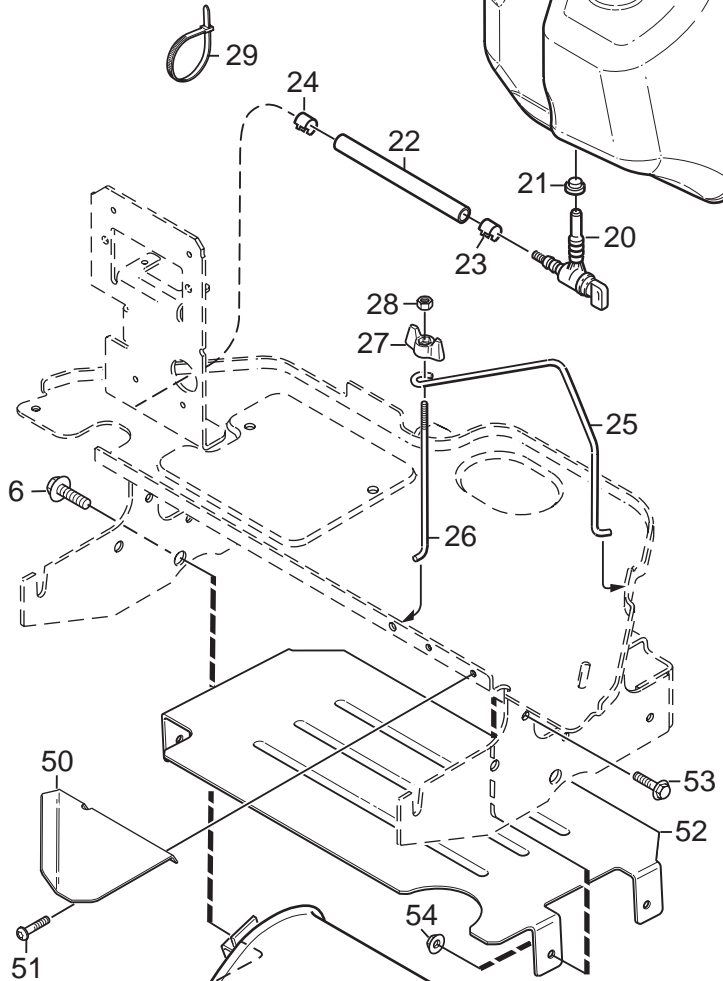
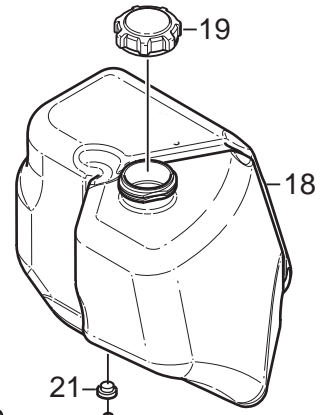
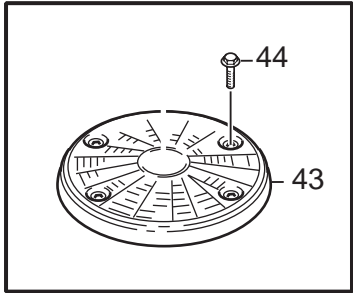
| Utgåva Issue 2007- 11 | | Bildnr Picture No 2020A | | | | PARK BENSIN ELUTRUSTNING | | PARK PETROL EL. EQUIPMENT | | Sida Page 88 | |
|-----------------------------|------------------------------|-------------------------------|--------------|------|---|--------------------------------|--------------------------|---------------------------------|-------------|---------------------|--|
| Pos. Fig. | Antal/Quantity | | | | | Art nr Part No | Benämning | Description | Sats Kit | Anmärkning Notes | |
| | 6182 6185 6189 6190 | 6191 6192 | 6184 6187 | 6183 | | | | | | | |
| | 1 | 1 | 1 | 1 | 1 | 1134-5751-01 | Batteri | Battery | | | |
| | 2 | 1 | 1 | 1 | 1 | 1134-5994-01 | Batteribygel | Battery loop | | | |
| | 3 | 1 | 1 | 1 | 1 | 1134-5995-01 | Batteribygel | Battery loop | | | |
| | 4 | 1 | 1 | 1 | 1 | 1134-4481-02 | Vingmutter | Wing nut | | | |
| | 5 | 1 | 1 | 1 | 1 | 9747-0631-02 | Låsmutter | Lock nut | | | |
| | 6 | 1 | 1 | 1 | 1 | 1134-2962-01 | Solenoid kpl | Solenoid assy | | | |
| | 7 | 2 | 2 | 2 | 2 | 9794-5131-02 | • Mutter | • Nut | | | |
| | 8 | 2 | 2 | 2 | 2 | 9852-8013-16 | Skruv | Screw | | | |
| | 9 | 2 | 2 | 2 | 2 | 9699-0060-02 | Planbricka | Flat washer | | | |
| | 10 | 1 | 1 | 1 | 1 | 1134-4970-02 | Kabel- röd | Cable- red | | | |
| | 11 | 1 | 1 | 1 | 1 | 1134-3491-01 | Säkringshållare | Fuse holder | | | |
| | 12 | 1 | 1 | 1 | 1 | 1134-3496-01 | Säkring | Fuse | | 10A | |
| | 12 | 1 | 1 | 1 | 1 | 1134-3496-06 | Säkring | Fuse | | 20A | |
| | 12 | 1 | 1 | 1 | 1 | 1134-3496-07 | Säkring | Fuse | | 30A | |
| | 13 | 1 | 1 | 1 | 1 | 1134-3631-01 | Lock- säkringsdosa | Cover- fuse holder | | | |
| | 14 | 1 | 1 | 1 | 1 | 1134-3399-02 | Brytare | Switch | | | |
| | 15 | 2 | 2 | 2 | 2 | 9943-0516-16 | Skruv | Screw | | | |
| | 16 | 1 | 1 | 1 | 1 | 1134-4172-01 | Strålkastare kpl | Headlamp assy | | | |
| | 16A | 1 | 1 | 1 | 1 | 9400-0293-01 | • Glödlampa | • Bulb | | 12V - 21W | |
| | 17 | 2 | 2 | 2 | 2 | 9849-7819-16 | Skruv | Screw | | | |
| | 18 | 2 | 2 | 2 | 2 | 1134-4177-01 | Clips | Clips | | | |
| | 19A | 1 | 1 | | 1 | 1134-4056-01 | Honkontakt | Female terminal | | - 2006.11.30 | |
| X | 19B | 1 | 1 | | 1 | 1134-6291-01 | Honkontakt | Female terminal | | 2006.12.01 - | |
| | 20 | 1 | 1 | | 1 | 1134-4052-01 | Stödbricka | Support washer | | - 2006.11.30 | |
| | 21 | 2 | 2 | | 2 | 9840-7716-16 | Skruv | Screw | | - 2006.11.30 | |
| | 22A | 1 | 1 | 1 | 1 | 1134-0234-02 | Batterikabel (+) | Battery cable (+) | | | |
| | 23 | 1 | 1 | 1 | 1 | 1134-2310-01 | Batteriskydd | Guard cap | | | |
| | 24 | 7 | 7 | 7 | 7 | 9579-0003-00 | Buntband | Cable holder | | | |
| | 25 | 1 | 1 | 1 | 1 | 9632-0522-00 | Popnit | Pop rivet | | | |
| | 27 | 2 | 2 | 2 | 2 | 9849-8006-16 | Skruv | Screw | | | |
| X | 39 | | | | 1 | 1134-6454-01 | Jordplåt | Ground plate | | 2007.03.19 - | |
| X | 40 | | | | 1 | 1134-6033-02 | Kablage | Cable harness | | - 2007.03.18 | |
| X | 40 | 1 | 1 | 1 | | 1134-6289-02 | Kablage | Cable harness | | - 2007.02.28 | |
| X | 40 | 1 | 1 | 1 | | 1134-6441-01 | Kablage | Harness | | 2007.03.01 - | |
| X | 40 | | | | 1 | 1134-6469-01 | Kablage | Harness | | 2007.03.19 - | |



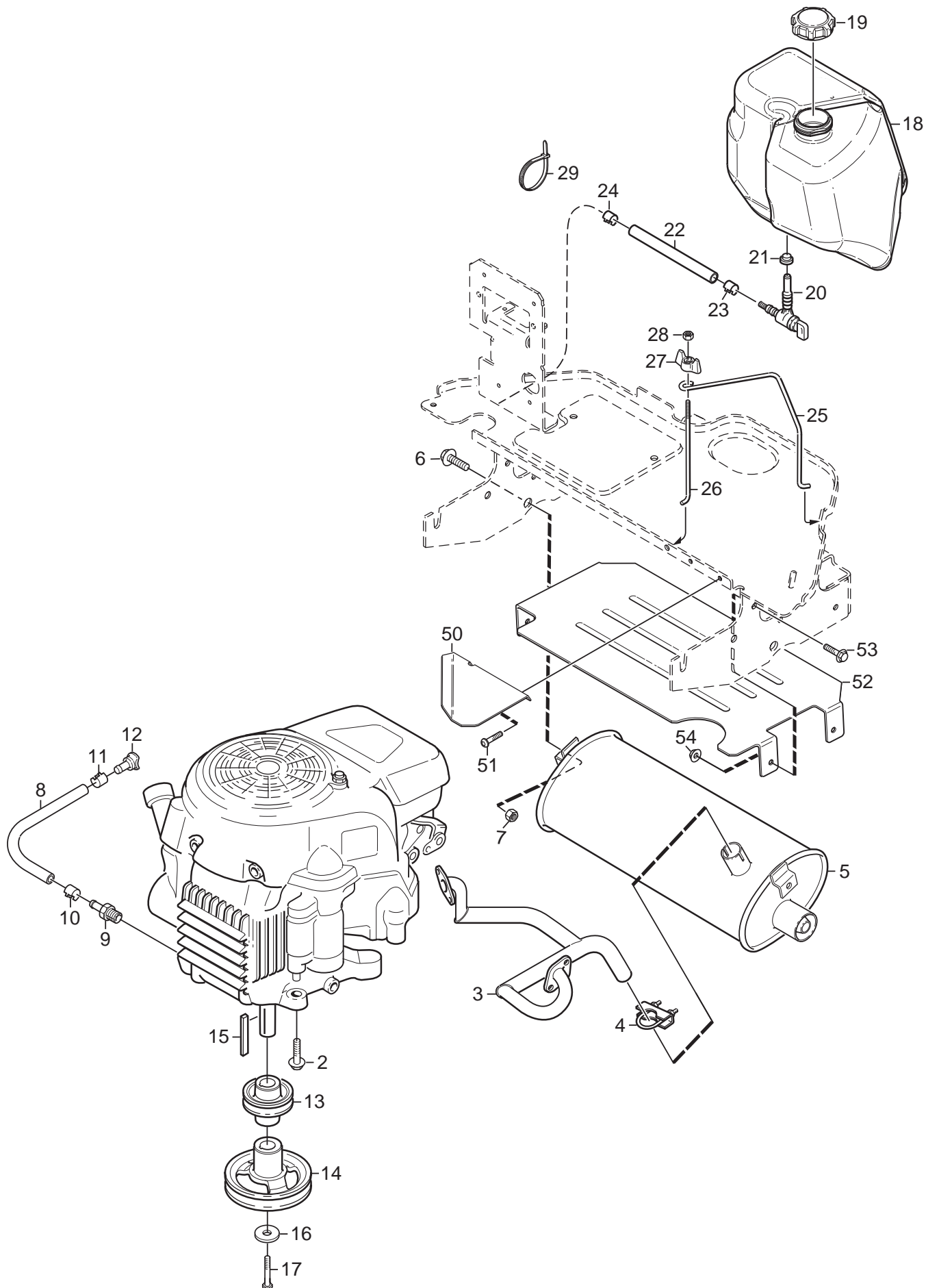
| Utgåva Issue 2007- 11 | | Bildnr Picture No 2020B | | PARK DIESEL ELUTRUSTNING | | PARK DIESEL EL. EQUIPMENT | | Sida Page 90 | |
|-----------------------------|----------------|-------------------------------|--|--------------------------------|-------------------|---------------------------------|-------------------------|--------------------|---------------------|
| Pos. Fig. | Antal/Quantity | | | | Art nr Part No | Benämning | Description | Sats Kit | Anmärkning Notes |
| | 6180 | 6181 | | | | | | | |
| | 1 | 1 | | | 1134-5751-01 | Batteri | Battery | | |
| | 2 | 1 | | | 1134-5994-01 | Batteribygel | Battery loop..... | | |
| | 3 | 1 | | | 1134-5995-01 | Batteribygel | Battery loop..... | | |
| | 4 | 1 | | | 1134-4481-02 | Vingmutter..... | Wing nut | | |
| | 5 | 1 | | | 9747-0631-02 | Låsmutter | Lock nut | | |
| | 6 | 1 | | | 1134-2962-01 | Solenoid kpl | Solenoid assy..... | | |
| | 7 | 2 | | | 9794-5131-02 | • Mutter..... | • Nut | | |
| | 8 | 2 | | | 9852-8013-16 | Skruv | Screw | | |
| | 9 | 2 | | | 9699-0060-02 | Planbricka..... | Flat washer..... | | |
| | 10 | 1 | | | 1134-4970-02 | Kabel- röd | Cable- red..... | | |
| | 11 | 1 | | | 1134-3491-01 | Säkringshållare..... | Fuse holder | | |
| | 12 | 1 | | | 1134-3496-01 | Säkring | Fuse | | 10A |
| | 12 | 1 | | | 1134-3496-06 | Säkring | Fuse | | 20A |
| | 12 | 1 | | | 1134-3496-07 | Säkring | Fuse | | 30A |
| | 13 | 1 | | | 1134-3631-01 | Lock- säkringsdosa..... | Cover- fuse holder..... | | |
| | 14 | | | 1 | 1134-3399-01 | Brytare..... | Switch | | |
| | 14 | 1 | | | 1134-3399-02 | Brytare..... | Switch | | |
| | 15 | 2 | | 2 | 9943-0516-16 | Skruv | Screw | | |
| | 16 | 1 | | 1 | 1134-4172-01 | Strålkastare kpl..... | Headlamp assy..... | | |
| | 16A | 1 | | 1 | 9400-0293-01 | • Glödlampa | • Bulb..... | | 12V - 21W |
| | 17 | 2 | | 2 | 9849-7819-16 | Skruv | Screw | | |
| | 18 | 2 | | 2 | 1134-4177-01 | Clips | Clips | | |
| | 19A | 1 | | 1 | 1134-4056-01 | Honkontakt | Female terminal..... | | - 2006.11.30 |
| X | 19B | 1 | | 1 | 1134-6291-01 | Honkontakt | Female terminal..... | | 2006.12.01 - |
| | 20 | 1 | | 1 | 1134-4052-01 | Stödbricka | Support washer..... | | - 2006.11.30 |
| | 21 | 2 | | 2 | 9840-7716-16 | Skruv | Screw | | - 2006.11.30 |
| | 22B | 1 | | 1 | 1134-6067-01 | Kabel (+)..... | Cable (+) | | |
| | 23 | 1 | | 1 | 1134-2310-01 | Batteriskydd..... | Guard cap | | |
| | 24 | 7 | | 7 | 9579-0003-00 | Buntband | Cable holder | | |
| | 25 | 1 | | 1 | 9632-0522-00 | Popnit..... | Pop rivet | | |
| | 27 | 2 | | 2 | 9849-8006-16 | Skruv | Screw | | |
| | 40 | 1 | | | 1134-6034-01 | Kablage..... | Cable harness | | |
| X | 40 | | | 1 | 1134-6391-01 | Kablage..... | Cable harness | | |



| Utgåva Issue 2007- 11 | | Bildnr Picture No 2021 | | PARK 2WD COMFORT- PRES- UNLTD MOTOR (Briggs & Stratton) | | PARK 2WD COMFORT- PRES- UNLTD ENGINE (Briggs & Stratton) | | Sida Page 92 | |
|-----------------------------|----------------|------------------------------|---|--|-------------------------|---|-------------|---------------------|--|
| Pos. Fig. | Antal/Quantity | | | Art nr Part No | Benämning | Description | Sats Kit | Anmärkning Notes | |
| | 6182 | 6184 | | | | | | | |
| | 1 | 1 | | 1134-6116-02 | Luffring..... | Air duct | | | |
| | 2 | 4 | | 9955-3725-16 | Skruv..... | Screw..... | | | |
| | 3 | 1 | | 1134-6100-01 | Grenrör..... | Exhaust pipe | | | |
| X | 3 | | 1 | 1134-6334-01 | Grenrör..... | Exhaust pipe | | | |
| | 4 | 1 | 1 | 9578-0011-01 | Klämma..... | Clamp..... | | | |
| | 5 | 1 | 1 | 1134-6024-01 | Ljuddämpare..... | Muffler..... | | | |
| | 6 | 1 | 1 | 9959-0820-16 | Skruv..... | Screw..... | | | |
| | 7 | 1 | 1 | 9739-0831-22 | Mutter..... | Nut..... | | | |
| | 8 | 1 | 1 | 1134-5827-01 | Oljeavtappning kpl..... | Oil drain assy..... | | Inkl. pos 9 - 12 | |
| | 9 | 1 | 1 | 1134-5825-01 | • Nippel..... | • Nipple..... | | | |
| | 10 | 1 | 1 | 9578-0023-04 | • Slangklämma..... | • Hose clamp..... | | | |
| | 11 | 1 | 1 | 1134-3499-02 | • Slangklämma..... | • Hose clamp..... | | | |
| | 12 | 1 | 1 | 1134-5826-01 | • Plugg..... | • Plug..... | | | |
| | 13 | 1 | 1 | 1134-6137-01 | Motorremskiva..... | Engine pulley..... | | | |
| X | 14 | 1 | 1 | 1134-6419-01 | Motorremskiva..... | Engine pulley..... | | | |
| | 15 | 1 | 1 | 9600-0251-01 | Kil..... | Key..... | | | |
| | 16 | 1 | 1 | 1134-5017-01 | Bricka..... | Washer..... | | | |
| | 17 | 1 | 1 | 9987-5332-16 | Skruv..... | Screw..... | | | |
| | 18 | 1 | 1 | 1134-5938-01 | Bränsletank..... | Fuel tank..... | | | |
| | 19 | 1 | 1 | 1134-5532-01 | Tanklock..... | Fuel tank cap..... | | | |
| | 20 | 1 | 1 | 1134-3224-01 | Bensinkran..... | Fuel shut-off valve..... | | | |
| | 21 | 1 | 1 | 1134-3225-01 | Gummibussning..... | Grommet..... | | | |
| | 22 | 1 | 1 | 1134-2975-13 | Bensinslang..... | Fuel hose..... | | L = 1100 | |
| | 23 | 1 | 1 | 9578-0023-02 | Slangklämma..... | Hose clamp..... | | | |
| | 24 | 1 | 1 | 9578-0023-02 | Slangklämma..... | Hose clamp..... | | | |
| | 25 | 1 | 1 | 1134-5942-01 | Tankbygel..... | Tank loop..... | | | |
| | 26 | 1 | 1 | 1134-5996-01 | Tankbygel..... | Tank loop..... | | | |
| | 27 | 1 | 1 | 1134-4481-02 | Vingmutter..... | Wing nut..... | | | |
| | 28 | 1 | 1 | 9747-0631-02 | Låsmutter..... | Lock nut..... | | | |
| | 29 | 1 | 1 | 9579-0003-00 | Buntband..... | Cable holder..... | | | |
| | 30 | 1 | 1 | 9852-8013-16 | Skruv..... | Screw..... | | | |
| | 31 | 1 | 1 | 1134-0433-00 | Ljuddämparpackning..... | Muffler gasket..... | | | |
| | 32 | 2 | 2 | 1134-4930-01 | Skruv..... | Screw..... | | | |
| | 50 | 1 | 1 | 1134-6234-01 | Deflektor..... | Heat deflector..... | | | |
| | 51 | 2 | 2 | 9943-0516-16 | Skruv..... | Screw..... | | | |
| | 52 | 1 | 1 | 1134-6251-01 | Deflektor..... | Heat deflector..... | | | |
| | 53 | 4 | 4 | 9959-0612-16 | Skruv..... | Screw..... | | | |
| | 54 | 4 | 4 | 9739-0631-22 | Mutter..... | Nut..... | | | |

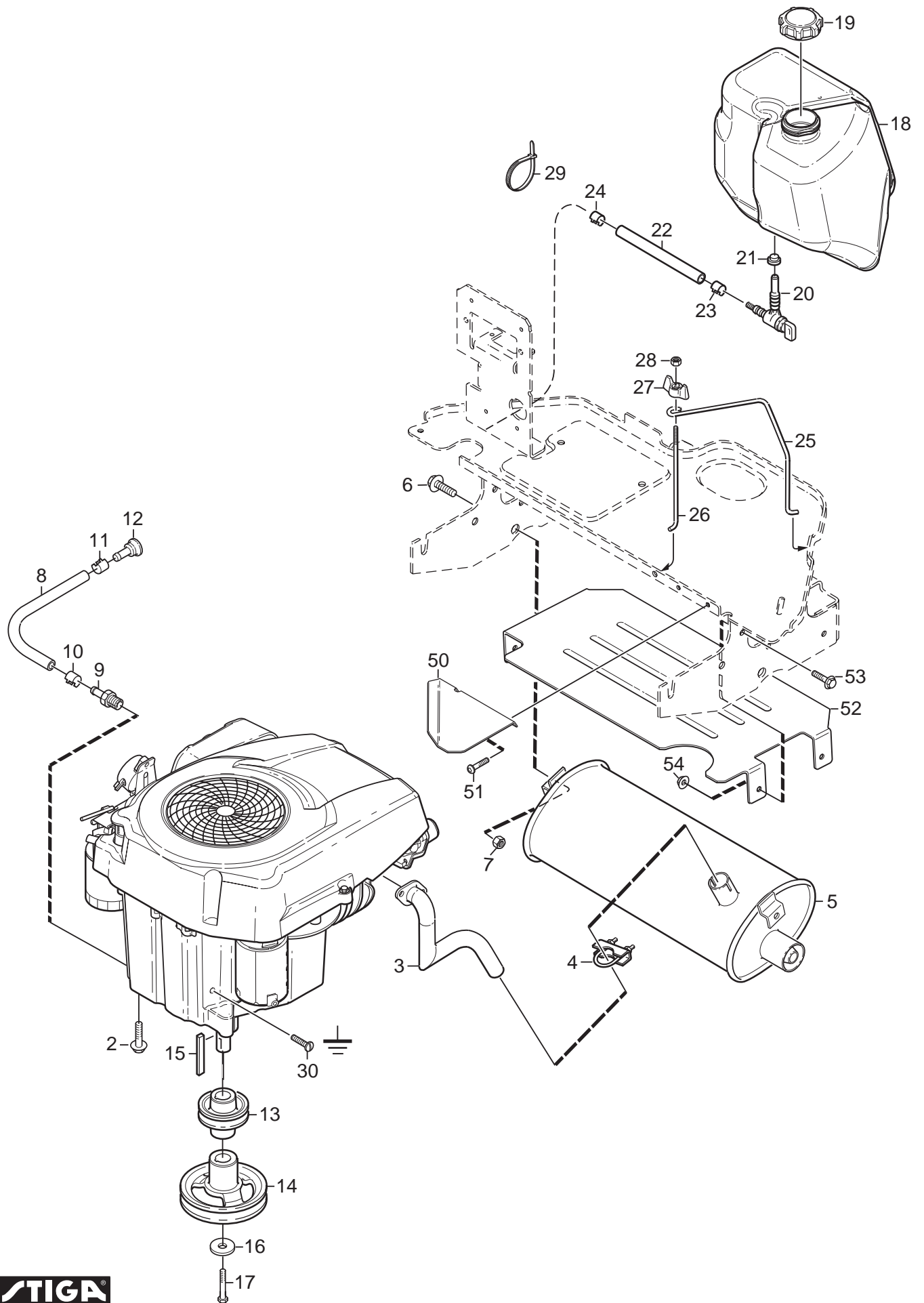


| Utgåva Issue 2007- 11 | | Bildnr Picture No 2207 | | PARK 2WD EXCELLENT- UNLTD (IT) MOTOR (Briggs & Stratton) | | PARK 2WD EXCELLENT- UNLTD (IT) ENGINE (Briggs & Stratton) | | Sida Page 94 | |
|-----------------------------|----------------|------------------------------|--------------|---|-------------------|--|---------------------------|--------------------|---------------------|
| Pos. Fig. | Antal/Quantity | | | | Art nr Part No | Benämning | Description | Sats Kit | Anmärkning Notes |
| | 6189 | 6190 | 6191 6192 | | | | | | |
| | 1 | 1 | | | 1134-6116-02 | Luftring..... | Air duct | | |
| | 2 | 4 | 4 | 4 | 9955-3725-16 | Skruv..... | Screw..... | | |
| X | 3A | 1 | | | 1134-6339-01 | Grenrör..... | Exhaust pipe | | |
| X | 3B | 1 | 1 | 1 | 1134-6422-01 | Grenrör..... | Exhaust pipe | | |
| | 4 | 1 | 1 | 1 | 9578-0011-01 | Klämma | Clamp..... | | |
| | 5 | 1 | 1 | 1 | 1134-6024-01 | Ljuddämpare | Muffler | | |
| | 6 | 1 | 1 | 1 | 9959-0820-16 | Skruv..... | Screw..... | | |
| | 7 | 1 | 1 | 1 | 9739-0831-22 | Mutter..... | Nut | | |
| | 8 | 1 | 1 | 1 | 1134-5827-01 | Oljeavtappning kpl..... | Oil drain assy | | Inkl. pos 9 - 12 |
| | 8 | 1 | 1 | 1 | 1134-5827-04 | Oljeavtappning kpl..... | Oil drain assy | | Inkl. pos 9 - 12 |
| | 9 | 1 | 1 | 1 | 1134-5825-01 | • Nippel..... | • Nipple..... | | |
| | 10 | 1 | 1 | 1 | 9578-0023-04 | • Slangklämma..... | • Hose clamp | | |
| | 11 | 1 | 1 | 1 | 1134-3499-02 | • Slangklämma..... | • Hose clamp | | |
| | 12 | 1 | 1 | 1 | 1134-5826-01 | • Plugg..... | • Plug..... | | |
| | 13 | 1 | 1 | 1 | 1134-6137-01 | Motorremskiva | Engine pulley..... | | |
| X | 14 | 1 | 1 | 1 | 1134-6419-01 | Motorremskiva | Engine pulley..... | | |
| | 15 | 1 | 1 | 1 | 9600-0251-01 | Kil | Key | | |
| | 16 | 1 | 1 | 1 | 1134-5017-01 | Bricka | Washer..... | | |
| | 17 | 1 | 1 | 1 | 9987-5332-16 | Skruv..... | Screw | | |
| | 18 | 1 | 1 | 1 | 1134-5938-01 | Bränsletank..... | Fuel tank | | |
| | 19 | 1 | 1 | 1 | 1134-5532-01 | Tanklock | Fuel tank cap..... | | |
| | 20 | 1 | 1 | 1 | 1134-3224-01 | Bensinkran..... | Fuel shut-off valve | | |
| | 21 | 1 | 1 | 1 | 1134-3225-01 | Gummibussning | Grommet..... | | |
| | 22 | 1 | 1 | 1 | 1134-2975-13 | Bensinslang | Fuel hose..... | | L = 1100 |
| | 23 | 1 | 1 | 1 | 9578-0023-02 | Slangklämma..... | Hose clamp | | |
| | 24 | 1 | 1 | 1 | 9578-0023-02 | Slangklämma..... | Hose clamp | | |
| | 25 | 1 | 1 | 1 | 1134-5942-01 | Tankbygel | Tank loop | | |
| | 26 | 1 | 1 | 1 | 1134-5996-01 | Tankbygel | Tank loop | | |
| | 27 | 1 | 1 | 1 | 1134-4481-02 | Vingmutter..... | Wing nut | | |
| | 28 | 1 | 1 | 1 | 9747-0631-02 | Låsmutter | Lock nut..... | | |
| | 29 | 1 | 1 | 1 | 9579-0003-00 | Buntband | Cable holder..... | | |
| | 30 | 1 | 1 | | 9852-8013-16 | Skruv..... | Screw..... | | |
| | 31 | | 2 | | 1134-0433-00 | Ljuddämparpackning..... | Muffler gasket..... | | |
| | 32 | | 4 | | 1134-4930-01 | Skruv..... | Screw..... | | |
| | 32 | 4 | | | 9939-0820-16 | Skruv..... | Screw..... | | |
| | 42 | 1 | 1 | 1 | 1134-0994-02 | Rörklammer..... | Tube clamp..... | | |
| | 43 | | 1 | 1 | 1134-4168-01 | Fläktskiva..... | Fan disc..... | | |
| | 44 | | 4 | 4 | 9838-9516-12 | Skruv..... | Screw | | |
| | 50 | 1 | 1 | 1 | 1134-6234-01 | Deflektor | Heat deflector..... | | |
| | 51 | 2 | 2 | 2 | 9943-0516-16 | Skruv..... | Screw..... | | |
| | 52 | 1 | 1 | 1 | 1134-6251-01 | Deflektor | Heat deflector..... | | |
| | 53 | 4 | 4 | 4 | 9959-0612-16 | Skruv..... | Screw..... | | |
| | 54 | 4 | 4 | 4 | 9739-0631-22 | Mutter..... | Nut..... | | |



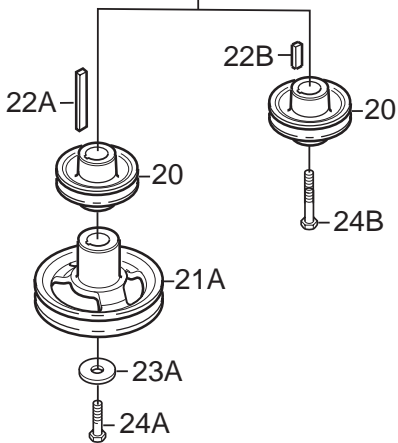
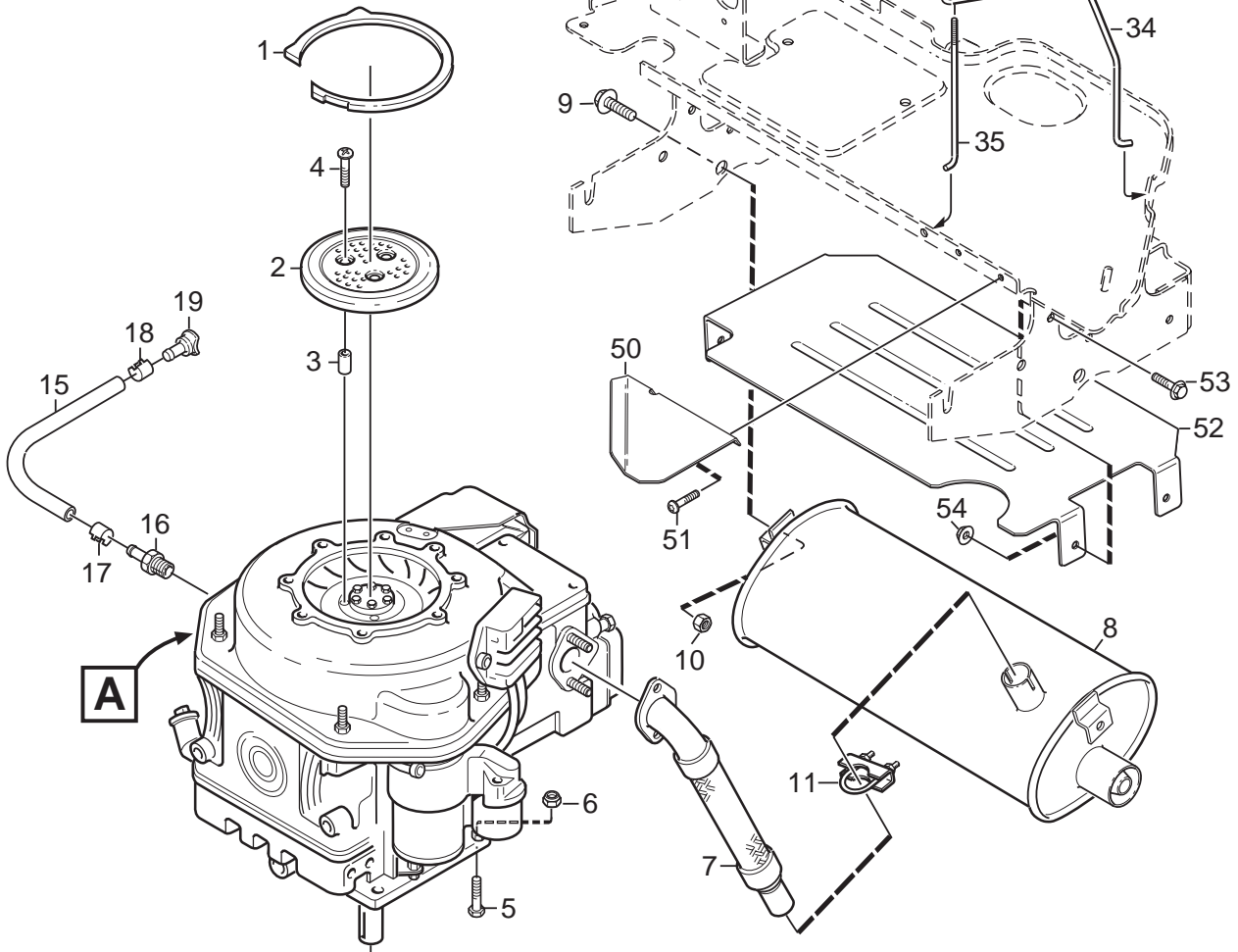
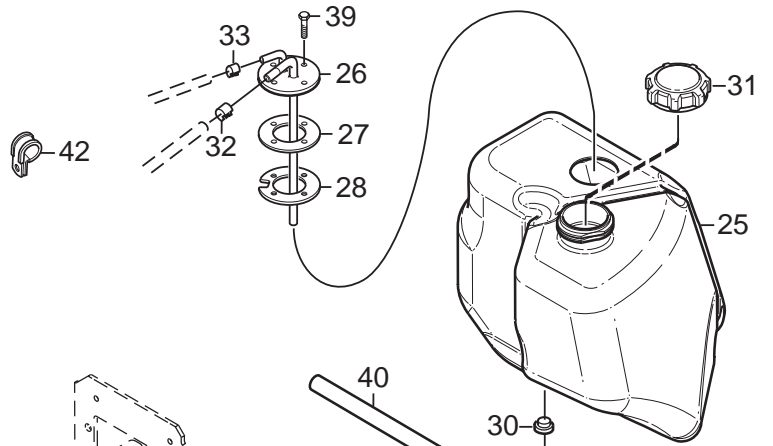
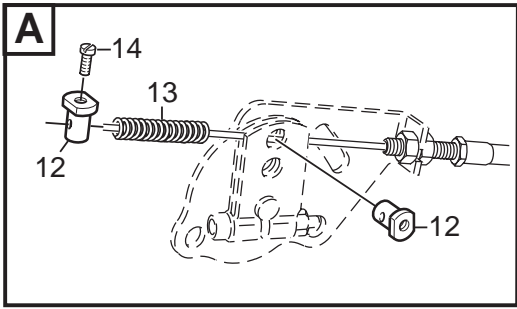
| Utgåva Issue 2007- 11 | | Bildnr Picture No 2022 | | PARK 2WD ROYAL MOTOR (Honda) | | PARK 2WD ROYAL ENGINE (Honda) | | Sida Page 96 | |
|-----------------------------|----------------|------------------------------|--|---------------------------------------|-------------------------------------|--|-------------|--------------------|---------------------|
| Pos. Fig. | Antal/Quantity | | | | Art nr Part No | Benämning | Description | Sats Kit | Anmärkning Notes |
| | 6183 | | | | | | | | |
| 2 | 4 | | | | 9955-3725-16 Skruv..... | Screw..... | | | |
| 3 | 1 | | | | 1134-5947-01 Grenrör..... | Exhaust pipe..... | | | |
| 4 | 1 | | | | 9578-0011-01 Klämman..... | Clamp..... | | | |
| 5 | 1 | | | | 1134-6024-01 Ljuddämpare..... | Muffler..... | | | |
| 6 | 1 | | | | 9959-0820-16 Skruv..... | Screw..... | | | |
| 7 | 1 | | | | 9739-0831-22 Mutter..... | Nut..... | | | |
| 8 | 1 | | | | 1134-5827-01 Oljeavtapning kpl..... | Oil drain assy..... | | Inkl. pos 9 - 12 | |
| 9 | 1 | | | | 1134-5825-01 • Nippel..... | • Nipple..... | | | |
| 10 | 1 | | | | 9578-0023-04 • Slangklämman..... | • Hose clamp..... | | | |
| 11 | 1 | | | | 1134-3499-02 • Slangklämman..... | • Hose clamp..... | | | |
| 12 | 1 | | | | 1134-5826-01 • Plugg..... | • Plug..... | | | |
| 13 | 1 | | | | 1134-6137-01 Motorremskiva..... | Engine pulley..... | | | |
| 14 | 1 | | | | 1134-6419-01 Motorremskiva..... | Engine pulley..... | | | |
| 15 | 1 | | | | 9600-0251-01 Kil..... | Key..... | | | |
| 16 | 1 | | | | 1134-5017-01 Bricka..... | Washer..... | | | |
| 17 | 1 | | | | 9987-5332-16 Skruv..... | Screw..... | | | |
| 18 | 1 | | | | 1134-5938-01 Bränsletank..... | Fuel tank..... | | | |
| 19 | 1 | | | | 1134-5532-01 Tanklock..... | Fuel tank cap..... | | | |
| 20 | 1 | | | | 1134-3224-01 Bensinkran..... | Fuel shut-off valve..... | | | |
| 21 | 1 | | | | 1134-3225-01 Gummibussning..... | Grommet..... | | | |
| 22 | 1 | | | | 1134-2975-13 Bensinslang..... | Fuel hose..... | | L = 1100 | |
| 23 | 1 | | | | 9578-0023-02 Slangklämman..... | Hose clamp..... | | | |
| 24 | 1 | | | | 9578-0023-02 Slangklämman..... | Hose clamp..... | | | |
| 25 | 1 | | | | 1134-5942-01 Tankbygel..... | Tank loop..... | | | |
| 26 | 1 | | | | 1134-5996-01 Tankbygel..... | Tank loop..... | | | |
| 27 | 1 | | | | 1134-4481-02 Vingmutter..... | Wing nut..... | | | |
| 28 | 1 | | | | 9747-0631-02 Låsmutter..... | Lock nut..... | | | |
| 29 | 1 | | | | 9579-0003-00 Buntband..... | Cable holder..... | | | |
| 30 | 1 | | | | 9893-0616-16 Skruv..... | Screw..... | | | |
| 50 | 1 | | | | 1134-6234-01 Deflektor..... | Heat deflector..... | | | |
| 51 | 2 | | | | 9943-0516-16 Skruv..... | Screw..... | | | |
| 52 | 1 | | | | 1134-6251-01 Deflektor..... | Heat deflector..... | | | |
| 53 | 4 | | | | 9959-0612-16 Skruv..... | Screw..... | | | |
| 54 | 4 | | | | 9739-0631-22 Mutter..... | Nut..... | | | |

X

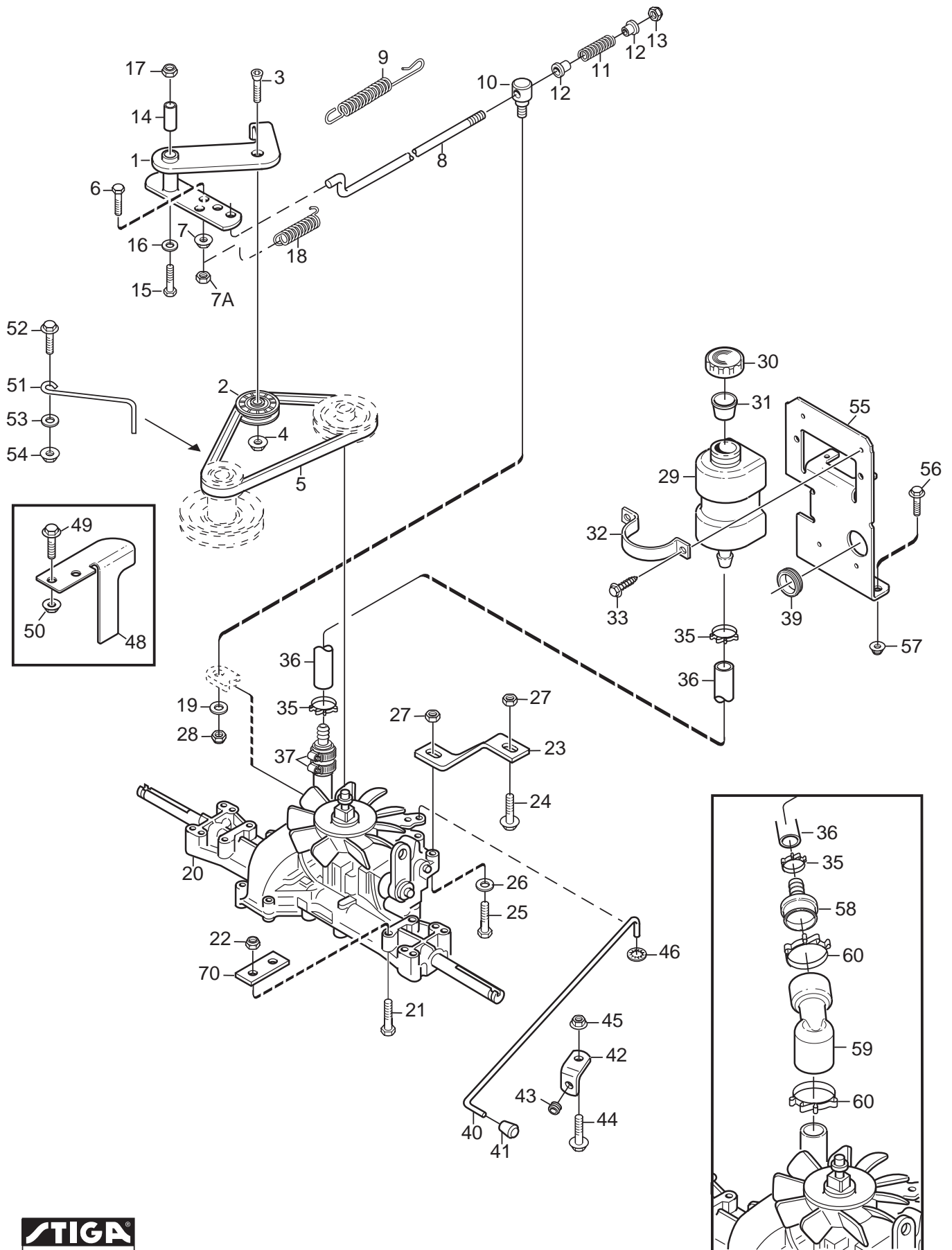


| Utgåva Issue 2007- 11 | | Bildnr Picture No 2037 | | PARK 2WD/4WD POWER- PRESTIGE MOTOR (Kohler) | | PARK 2WD/4WD POWER- PRESTIGE ENGINE (Kohler) | | Sida Page 98 | |
|-----------------------------|----------------|------------------------------|--|--|--------------------------------------|---|-------------|--------------------|---------------------|
| Pos. Fig. | Antal/Quantity | | | | Art nr Part No | Benämning | Description | Sats Kit | Anmärkning Notes |
| | 6185 | | | | | | | | |
| 2 | 4 | | | | 9955-3725-16 Skruv..... | Screw..... | | | |
| 3 | 1 | | | | 1134-6021-01 Grenrör..... | Exhaust pipe..... | | | |
| 4 | 1 | | | | 9578-0011-01 Klämma..... | Clamp..... | | | |
| 5 | 1 | | | | 1134-6024-01 Ljuddämpare..... | Muffler..... | | | |
| 6 | 1 | | | | 9959-0820-16 Skruv..... | Screw..... | | | |
| 7 | 1 | | | | 9739-0831-22 Mutter..... | Nut..... | | | |
| 8 | 1 | | | | 1134-5827-01 Oljeavtappning kpl..... | Oil drain assy..... | | Inkl. pos 9 - 12 | |
| 9 | 1 | | | | 1134-5825-01 • Nippel..... | • Nipple..... | | | |
| 10 | 1 | | | | 9578-0023-04 • Slangklämma..... | • Hose clamp..... | | | |
| 11 | 1 | | | | 1134-3499-02 • Slangklämma..... | • Hose clamp..... | | | |
| 12 | 1 | | | | 1134-5826-01 • Plugg..... | • Plug..... | | | |
| 13 | 1 | | | | 1134-6137-01 Motorremskiva..... | Engine pulley..... | | | |
| 14 | 1 | | | | 1134-6419-01 Motorremskiva..... | Engine pulley..... | | | |
| 15 | 1 | | | | 9600-0251-01 Kil..... | Key..... | | | |
| 16 | 1 | | | | 1134-5017-01 Bricka..... | Washer..... | | | |
| 17 | 1 | | | | 9987-5332-16 Skruv..... | Screw..... | | | |
| 18 | 1 | | | | 1134-5938-01 Bränsletank..... | Fuel tank..... | | | |
| 19 | 1 | | | | 1134-5532-01 Tanklock..... | Fuel tank cap..... | | | |
| 20 | 1 | | | | 1134-3224-01 Bensinkran..... | Fuel shut-off valve..... | | | |
| 21 | 1 | | | | 1134-3225-01 Gummibussning..... | Grommet..... | | | |
| 22 | 1 | | | | 1134-2975-13 Bensinslang..... | Fuel hose..... | | L = 1100 | |
| 23 | 1 | | | | 9578-0023-02 Slangklämma..... | Hose clamp..... | | | |
| 24 | 1 | | | | 9578-0023-02 Slangklämma..... | Hose clamp..... | | | |
| 25 | 1 | | | | 1134-5942-01 Tankbygel..... | Tank loop..... | | | |
| 26 | 1 | | | | 1134-5996-01 Tankbygel..... | Tank loop..... | | | |
| 27 | 1 | | | | 1134-4481-02 Vingmutter..... | Wing nut..... | | | |
| 28 | 1 | | | | 9747-0631-02 Låsmutter..... | Lock nut..... | | | |
| 29 | 1 | | | | 9579-0003-00 Buntband..... | Cable holder..... | | | |
| 30 | 1 | | | | 9893-0616-16 Skruv..... | Screw..... | | | |
| 50 | 1 | | | | 1134-6234-01 Deflektor..... | Heat deflector..... | | | |
| 51 | 2 | | | | 9943-0516-16 Skruv..... | Screw..... | | | |
| 52 | 1 | | | | 1134-6251-01 Deflektor..... | Heat deflector..... | | | |
| 53 | 4 | | | | 9959-0612-16 Skruv..... | Screw..... | | | |
| 54 | 4 | | | | 9739-0631-22 Mutter..... | Nut..... | | | |

X

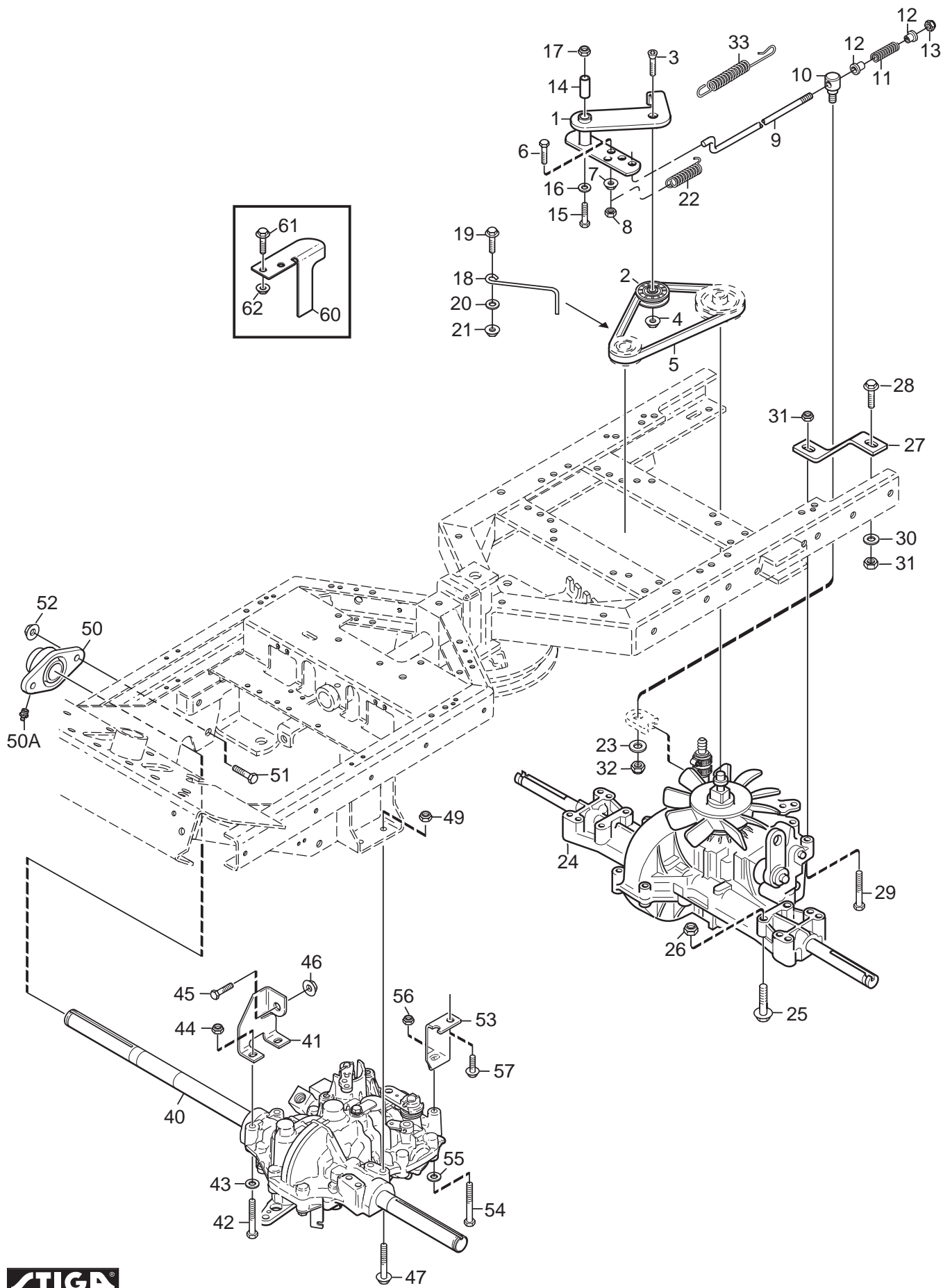


| Utgåva Issue 2007- 11 | | Bildnr Picture No 2023A | | PARK 2WD/4WD DIESEL MOTOR (Hatz) | | PARK 2WD/4WD DIESEL ENGINE (Hatz) | | Sida Page 100 | |
|-----------------------------|----------------|-------------------------------|--|---|--------------------------|--|-------------|---------------------|--|
| Pos. Fig. | Antal/Quantity | | | Art nr Part No | Benämning | Description | Sats Kit | Anmärkning Notes | |
| | 6180 | 6181 | | | | | | | |
| X 1 | 1 | 1 | | 1134-6054-01 | Tätningring | Seal ring | | | |
| 2 | 1 | 1 | | 1134-4962-01 | Fläktskydd | Fan cover | | | |
| 3 | 3 | 3 | | 1134-4963-01 | Distans | Spacer | | | |
| 4 | 3 | 3 | | 9948-0630-16 | Skruv | Screw | | | |
| 5 | 4 | 4 | | 9997-1050-16 | Skruv | Screw | | | |
| 6 | 4 | 4 | | 9731-1031-22 | Mutter | Nut | | | |
| 7 | 1 | 1 | | 1134-6012-01 | Grenrör | Exhaust pipe | | | |
| 8 | 1 | 1 | | 1134-6024-01 | Ljuddämpare | Muffler | | | |
| 9 | 2 | 2 | | 9959-0820-16 | Skruv | Screw | | | |
| 10 | 2 | 2 | | 9739-0831-22 | Mutter | Nut | | | |
| 11 | 1 | 1 | | 9578-0011-01 | Klämma | Clamp | | | |
| 12 | 2 | 2 | | 1134-6118-01 | Skruvnippel | Cable nipple | | | |
| 13 | 1 | 1 | | 1134-6126-01 | Tryckfjäder | Comp. spring | | | |
| 14 | 1 | 1 | | 9997-0412-16 | Skruv | Screw | | | |
| 15 | 1 | 1 | | 1134-5827-04 | Oljeavtappning kpl | Oil drain assy | | Inkl. pos 16 - 19 | |
| 16 | 1 | 1 | | 1134-5825-01 | • Nippel | • Nipple | | | |
| 17 | 1 | 1 | | 9578-0023-04 | • Slangklämma | • Hose clamp | | | |
| 18 | 1 | 1 | | 1134-3499-02 | • Slangklämma | • Hose clamp | | | |
| 19 | 1 | 1 | | 1134-5826-01 | • Plugg | • Plug | | | |
| 20 | 1 | 1 | | 1134-6139-01 | Motorremskiva | Engine pulley | | | |
| X 21A | 1 | | | 1134-6419-01 | Motorremskiva | Engine pulley | | | |
| 22A | 1 | | | 9600-0251-01 | Kil | Key | | L = 2- 1/2" | |
| 22B | | 1 | | 9600-0251-00 | Plattkil | Key | | L = 3/4" | |
| 23A | 1 | | | 1134-5017-01 | Bricka | Washer | | | |
| 24A | 1 | | | 9987-5332-16 | Skruv | Screw | | L = 32 mm | |
| 24B | | 1 | | 9987-5364-12 | Skruv | Screw | | L = 64 mm | |
| 25 | 1 | 1 | | 1134-5938-02 | Bränsletank | Fuel tank | | | |
| 26 | 1 | 1 | | 1134-6130-01 | Bränslegenomföring | Fuel connection | | | |
| 27 | 1 | 1 | | 1134-6136-01 | Packning | Sealing | | | |
| 28 | 1 | 1 | | 1134-6134-01 | Fläns | Flange | | | |
| 29 | 1 | 1 | | 1134-3224-01 | Bensinkran | Fuel shut-off valve | | | |
| 30 | 1 | 1 | | 1134-3225-01 | Gummibussning | Grommet | | | |
| 31 | 1 | 1 | | 1134-5532-01 | Tanklock | Fuel tank cap | | | |
| 32 | 1 | 1 | | 9578-0023-02 | Slangklämma | Hose clamp | | | |
| 33 | 1 | 1 | | 9578-0023-07 | Slangklämma | Hose clamp | | | |
| 34 | 1 | 1 | | 1134-5942-01 | Tankbygel | Tank loop | | | |
| 35 | 1 | 1 | | 1134-5996-01 | Tankbygel | Tank loop | | | |
| 36 | 1 | 1 | | 1134-4481-02 | Vingmutter | Wing nut | | | |
| 37 | 1 | 1 | | 9747-0631-02 | Låsmutter | Lock nut | | | |
| 38 | 1 | 1 | | 9959-0820-16 | Skruv | Screw | | | |
| 39 | 4 | 4 | | 9997-0520-16 | Skruv | Screw | | | |
| 40 | 1 | 1 | | 1134-2975-12 | Bensinslang | Fuel hose | | | |
| 41 | 1 | 1 | | 9578-0023-02 | Slangklämma | Hose clamp | | | |
| 42 | 1 | 1 | | 1134-0994-02 | Rörklammer | Tube clamp | | | |
| 50 | 1 | 1 | | 1134-6234-01 | Deflektor | Heat deflector | | | |
| 51 | 2 | 2 | | 9943-0516-16 | Skruv | Screw | | | |
| 52 | 1 | 1 | | 1134-6251-01 | Deflektor | Heat deflector | | | |
| 53 | 4 | 4 | | 9959-0612-16 | Skruv | Screw | | | |
| 54 | 4 | 4 | | 9739-0631-22 | Mutter | Nut | | | |

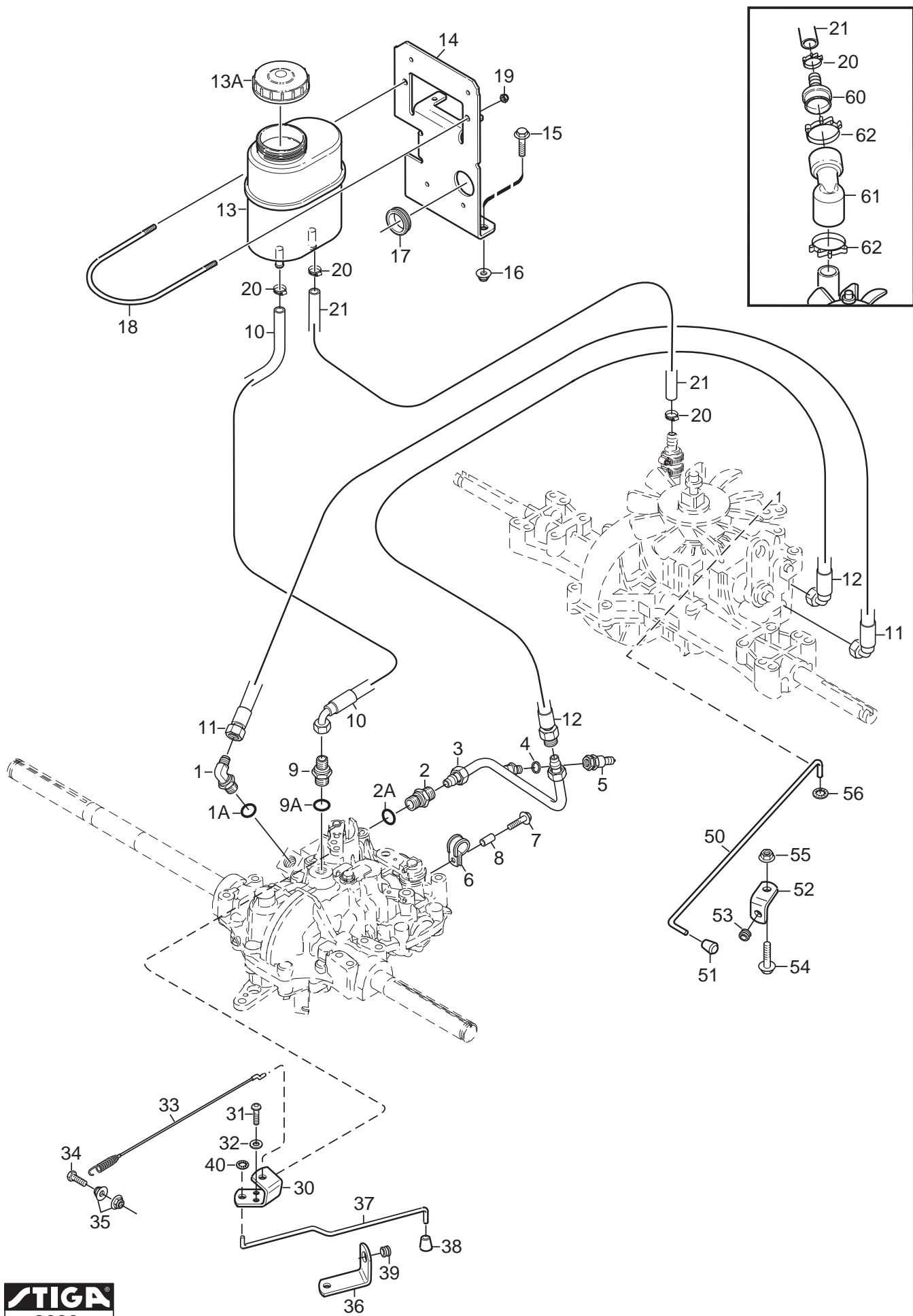


| Utgåva Issue | | Bildnr Picture No | | PARK 2WD TRANSMISSION | | PARK 2WD TRANSMISSION | | Sida Page | |
|-----------------|----------------------|----------------------|---|--------------------------|------------------------|--------------------------|-------------|---------------------------|---------------------|
| 2007- 11 | | 1996B | | | | | | 102 | |
| Pos. Fig. | Antal/Quantity | | | | Art nr Part No | Benämning | Description | Sats Kit | Anmärkning Notes |
| | 6182 6183 6190 | 6184 6187 6189 | | 6180 | | | | | |
| 1 | 1 | 1 | 1 | 1134-4000-02 | Spännarm | Tension arm | | | |
| 2 | 1 | 1 | 1 | 1134-3459-01 | Spännrulle | Tension roller | | | |
| 3 | 1 | 1 | 1 | 9924-1035-16 | Skruv | Screw | | | |
| 4 | 1 | 1 | 1 | 9799-1031-02 | Mutter | Nut | | | |
| 5 | 1 | 1 | 1 | 1134-9058-01 | Drivrem | V- belt..... | | | |
| 6 | 1 | 1 | 1 | 9997-0625-16 | Skruv | Screw | | | |
| 7 | 1 | 1 | 1 | 9739-0631-22 | Mutter | Nut | | | |
| 7A | 1 | 1 | 1 | 9747-0631-02 | Låsmutter | Lock nut | | | |
| 8 | 1 | 1 | 1 | 1134-3377-02 | Reglagestång | Control rod..... | | | |
| 9 | 1 | 1 | 1 | 4231-0013-00 | Fjäder..... | Spring | | | |
| 10 | 1 | 1 | 1 | 1134-4171-01 | Ledtapp | Pivot pin | | | |
| 11 | 1 | 1 | 1 | 1134-4183-01 | Tryckfjäder..... | Compression spring..... | | | |
| 12 | 2 | 2 | 2 | 1134-3456-01 | Bussning | Bushing | | | |
| 13 | 1 | 1 | 1 | 9747-0631-02 | Låsmutter | Lock nut | | | |
| 14 | 1 | 1 | 1 | 1134-1565-08 | Distans | Spacer | | | |
| 15 | 1 | 1 | 1 | 9997-0870-16 | Skruv | Screw | | | |
| 16 | 1 | 1 | 1 | 9699-0056-02 | Planbricka..... | Flat washer..... | | | |
| 17 | 1 | 1 | 1 | 9747-0831-02 | Mutter | Lock nut | | | |
| 18 | 1 | 1 | 1 | 1134-1949-01 | Fjäder..... | Spring | | | |
| 19 | 1 | 1 | 1 | 9699-0060-02 | Planbricka..... | Flat washer..... | | | |
| 20 | 1 | 1 | 1 | 1134-4848-01 | Transaxel kpl..... | Transaxle assy..... | | | |
| 21 | 4 | 4 | 4 | 9960-0860-12 | Skruv | Screw | | Kanzaki K46G L = 60 mm | |
| 21 | | 4 | | 9997-0870-16 | Skruv | Screw | | L = 70 mm | |
| 22 | 4 | 4 | 4 | 9747-0831-02 | Mutter | Lock nut | | | |
| 23 | 1 | 1 | 1 | 1134-3913-01 | Reaktionsstag | Strut | | | |
| 24 | 1 | 1 | 1 | 9959-0825-16 | Skruv | Screw | | | |
| 25 | 1 | 1 | 1 | 9997-0845-12 | Skruv | Screw | | | |
| 26 | 1 | 1 | 1 | 9699-0090-02 | Planbricka..... | Flat washer..... | | | |
| 27 | 2 | 2 | 2 | 9747-0831-02 | Mutter | Lock nut | | | |
| 28 | 1 | 1 | 1 | 9747-0631-02 | Låsmutter | Lock nut | | | |
| 29 | 1 | 1 | 1 | 1134-2765-02 | Oljetank | Oil tank..... | | | |
| 30 | 1 | 1 | 1 | 1134-2777-02 | Tanklock | Filler cap | | | |
| 31 | 1 | 1 | 1 | 1134-3734-01 | Luftningsplugg | Vent plug..... | | | |
| 32 | 1 | 1 | 1 | 1134-2778-01 | Fästband | Retainer strap | | | |
| 33 | 2 | 2 | 2 | 9852-8013-16 | Skruv | Screw | | | |
| 35 | 2 | 2 | 2 | 9578-0023-04 | Slangklämma..... | Hose clamp | | 15 x 8 | |
| 36 | 1 | 1 | 1 | 1134-2779-09 | Slang | Tube | | L = 290 mm | |
| 39 | 1 | 1 | 1 | 1134-3203-01 | Kabelgenomföring | Grommet..... | | | |
| 40 | 1 | 1 | 1 | 1134-4015-01 | Dragstång | Pull rod | | | |
| 41 | 1 | 1 | 1 | 1134-4014-01 | Plastknopp..... | Plastic button..... | | | |
| 42 | 1 | 1 | 1 | 1134-4713-01 | Vinkel..... | Bracket..... | | | |
| 43 | 1 | 1 | 1 | 1134-2790-01 | Gummihylsa | Rubber grommet..... | | | |
| 44 | 1 | 1 | 1 | 9959-0820-16 | Skruv | Screw | | | |
| 45 | 1 | 1 | 1 | 9739-0831-22 | Mutter | Nut | | | |
| 46 | 1 | 1 | 1 | 9675-0009-02 | Starlock | Starlock | | | |
| 48 | | | 1 | 1134-6047-01 | Remstyrning..... | Belt guide..... | | | |
| 49 | | | 1 | 9959-1025-16 | Skruv | Screw | | | |
| 50 | | | 1 | 9739-1031-22 | Mutter | Nut | | | |
| 51 | 1 | 1 | | 1134-3289-02 | Remstyrning..... | Belt guide..... | | | |
| 52 | 1 | 1 | | 9959-0820-16 | Skruv | Screw | | | |
| 53 | 1 | 1 | | 9699-0056-02 | Planbricka..... | Flat washer..... | | | |
| 54 | 1 | 1 | | 9739-0831-22 | Mutter | Nut | | | |
| 55 | 1 | 1 | 1 | 1134-5941-01 | Tankkonsol | Tank bracket..... | | | |
| 56 | 2 | 2 | 2 | 9959-0820-16 | Skruv | Screw | | | |
| 57 | 2 | 2 | 2 | 9739-0831-22 | Mutter | Nut | | | |
| 58 | | | 1 | 1134-6051-01 | Slangnippel..... | Hose nipple..... | | | |
| 59 | | | 1 | 1134-6050-01 | Böj | Elbow | | | |
| 60 | | | 2 | 9578-0023-06 | Slangklämma..... | Hose clamp | | | |
| 70 | | 2 | | 1134-3376-01 | Mellanlägg | Spacer plate | | 13-6189-03 | |

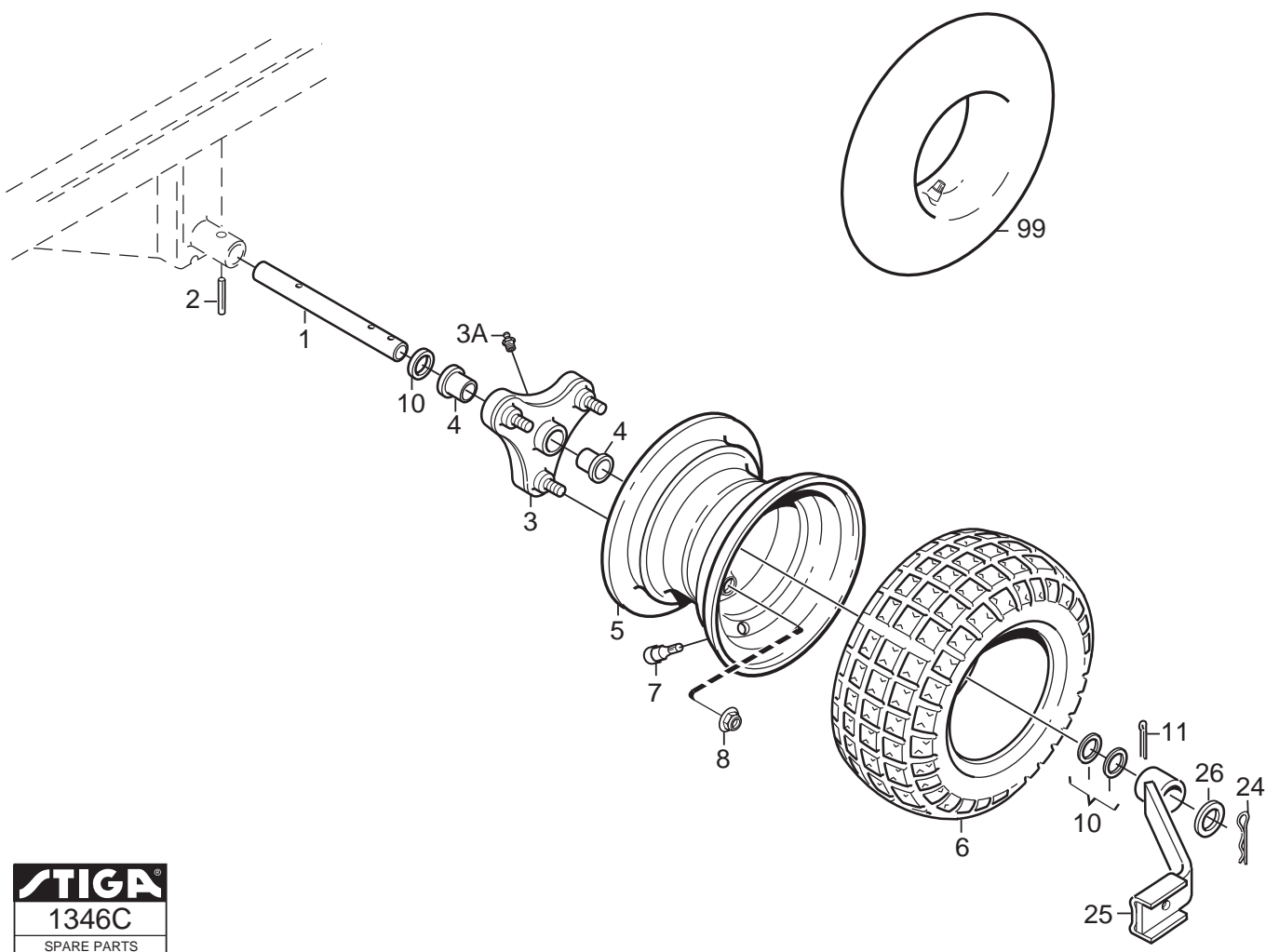
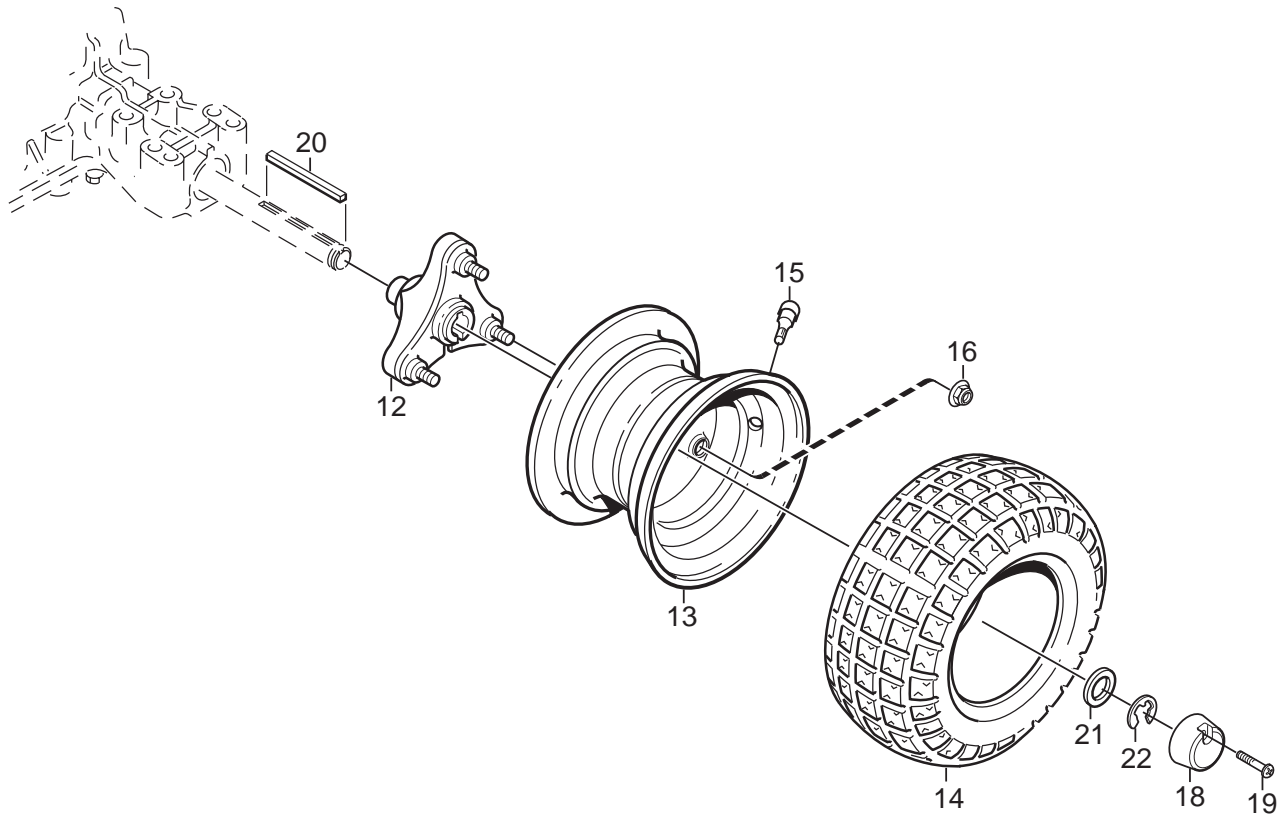
X



| Utgåva Issue 2007- 11 | | Bildnr Picture No 2038A | | PARK 4WD PRESTIGE- DIESEL UNLTD (IT)- POWER (CZ) TRANSMISSION (mek) | | PARK 4WD PRESTIGE- DIESEL UNLTD (IT)- POWER (CZ) TRANSMISSION (mech) | | Sida Page 104 | |
|-----------------------------|----------------------|-------------------------------|---|--|-----------------------|---|---|---------------------|--|
| Pos. Fig. | Antal/Quantity | | | Art nr Part No | Benämning | Description | Sats Kit | Anmärkning Notes | |
| | 6185 6191 6192 | 6181 | | | | | | | |
| | 1 | 1 | | 1134- 4000- 02 | Spännarm | Tension arm | | = 9585- 0091- 01 | |
| | 2 | 1 | | 1134- 3459- 01 | Spännrulle | Tension roller | | | |
| | 3 | 1 | | 9924- 1035- 16 | Skruv | Screw | | | |
| | 4 | 1 | | 9799- 1031- 02 | Mutter | Nut | | | |
| | 5 | 1 | | 1134- 9058- 01 | Drivrem | V- belt..... | | | |
| | 6 | 1 | | 9997- 0625- 16 | Skruv | Screw | | | |
| | 7 | 1 | | 9739- 0631- 22 | Mutter | Nut | | | |
| | 8 | 1 | | 9747- 0631- 02 | Låsmutter | Lock nut | | | |
| | 9 | 1 | | 1134- 3377- 02 | Reglagestång | Control rod..... | | | |
| | 10 | 1 | | 1134- 4171- 01 | Ledtapp | Pivot pin..... | | | |
| | 11 | 1 | | 1134- 4183- 01 | Tryckfjäder | Compression spring..... | | | |
| | 12 | 2 | 2 | 1134- 3456- 01 | Bussning | Bushing..... | | | |
| | 13 | 1 | | 9747- 0631- 02 | Låsmutter | Lock nut | | | |
| | 14 | 1 | | 1134- 1565- 08 | Distans | Spacer | | | |
| | 15 | 1 | | 9997- 0870- 16 | Skruv | Screw | | | |
| | 16 | 1 | | 9699- 0056- 02 | Planbricka..... | Flat washer..... | | | |
| | 17 | 1 | | 9747- 0831- 02 | Mutter | Lock nut | | | |
| | 18 | 1 | | 1134- 3289- 02 | Remstyrning | Belt guide | | | |
| | 19 | 1 | | 9959- 0820- 16 | Skruv | Screw | | | |
| | 20 | 1 | | 9699- 0056- 02 | Planbricka..... | Flat washer..... | | | |
| | 21 | 1 | | 9739- 0831- 22 | Mutter | Nut | | | |
| | 22 | 1 | 1 | 1134- 1949- 01 | Fjäder..... | Spring | | | |
| | 23 | 1 | | 9699- 0060- 02 | Planbricka..... | Flat washer..... | | | |
| | 24 | 1 | | 1134- 6028- 01 | Transaxel kpl..... | Transaxle assy..... | Kanzaki K574B 2- port Kanzaki K574F 4- port Kanzaki K574G 2- port | | |
| | 24 | | 1 | 1134- 6129- 01 | Transaxel kpl..... | Transaxle assy..... | | | |
| X | 24 | 1 | | 1134- 6394- 01 | Transaxel kpl..... | Transaxle assy..... | | | |
| X | 25 | 4 | 4 | 9960- 0860- 12 | Skruv | Screw | | | |
| | 26 | 4 | 4 | 9747- 0831- 02 | Mutter | Lock nut | | | |
| | 27 | 1 | | 1134- 3913- 01 | Reaktionsstag | Strut | | | |
| | 28 | 1 | | 9959- 0825- 16 | Skruv | Screw | | | |
| | 29 | 1 | | 9997- 0845- 12 | Skruv | Screw | | | |
| | 30 | 1 | | 9699- 0090- 02 | Planbricka..... | Flat washer..... | | | |
| | 31 | 2 | 2 | 9747- 0831- 02 | Mutter | Lock nut | | | |
| | 32 | 1 | | 9747- 0631- 02 | Låsmutter | Lock nut | | | |
| | 33 | 1 | | 4231- 0013- 00 | Fjäder..... | Spring | | | |
| | 40 | 1 | | 1134- 6029- 01 | Motoraxel- fram..... | Transaxle- front | Kanzaki KTM 10M | | |
| | 41 | 1 | | 1134- 5650- 01 | Transaxelfäste..... | Transaxle bracket | | | |
| | 42 | 2 | 2 | 9997- 0860- 16 | Skruv | Screw | | | |
| | 43 | 2 | 2 | 9699- 0090- 02 | Planbricka..... | Flat washer..... | | | |
| | 44 | 2 | 2 | 9747- 0831- 02 | Mutter | Lock nut | | | |
| | 45 | 1 | | 9959- 1025- 16 | Skruv | Screw | | | |
| X | 46 | 1 | | 9731- 1031- 22 | Mutter | Nut | | | |
| X | 47 | 2 | 2 | 9960- 0860- 12 | Skruv | Screw | | | |
| | 49 | 2 | 2 | 9747- 0831- 02 | Mutter | Lock nut | | | |
| | 50 | 1 | | 1134- 5703- 01 | Flänslagerenhet | Flange bearing..... | | | |
| | 50A | 1 | | 9501- 0500- 00 | • Smörjnippel | • Grease joint..... | | | |
| | 51 | 2 | 2 | 9997- 1040- 16 | Skruv | Screw | | | |
| X | 52 | 2 | 2 | 9731- 1031- 22 | Mutter | Nut | | | |
| | 53 | 1 | | 1134- 5670- 01 | Reaktionsstag | Strut | | | |
| | 54 | 1 | | 9997- 0880- 16 | Skruv | Screw | | | |
| | 55 | 1 | | 9699- 0090- 02 | Planbricka..... | Flat washer..... | | | |
| | 56 | 1 | | 9747- 0831- 02 | Mutter | Lock nut | | | |
| | 57 | 2 | 2 | 9945- 0816- 16 | Skruv | Screw | | | |
| | 60 | | 1 | 1134- 6047- 01 | Remstyrning | Belt guide | | | |
| | 61 | | 1 | 9959- 1025- 16 | Skruv | Screw | | | |
| | 62 | | 1 | 9739- 1031- 22 | Mutter | Nut | | | |



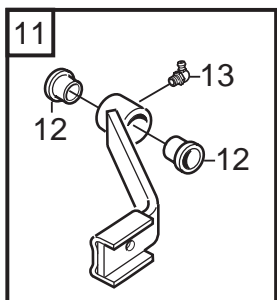
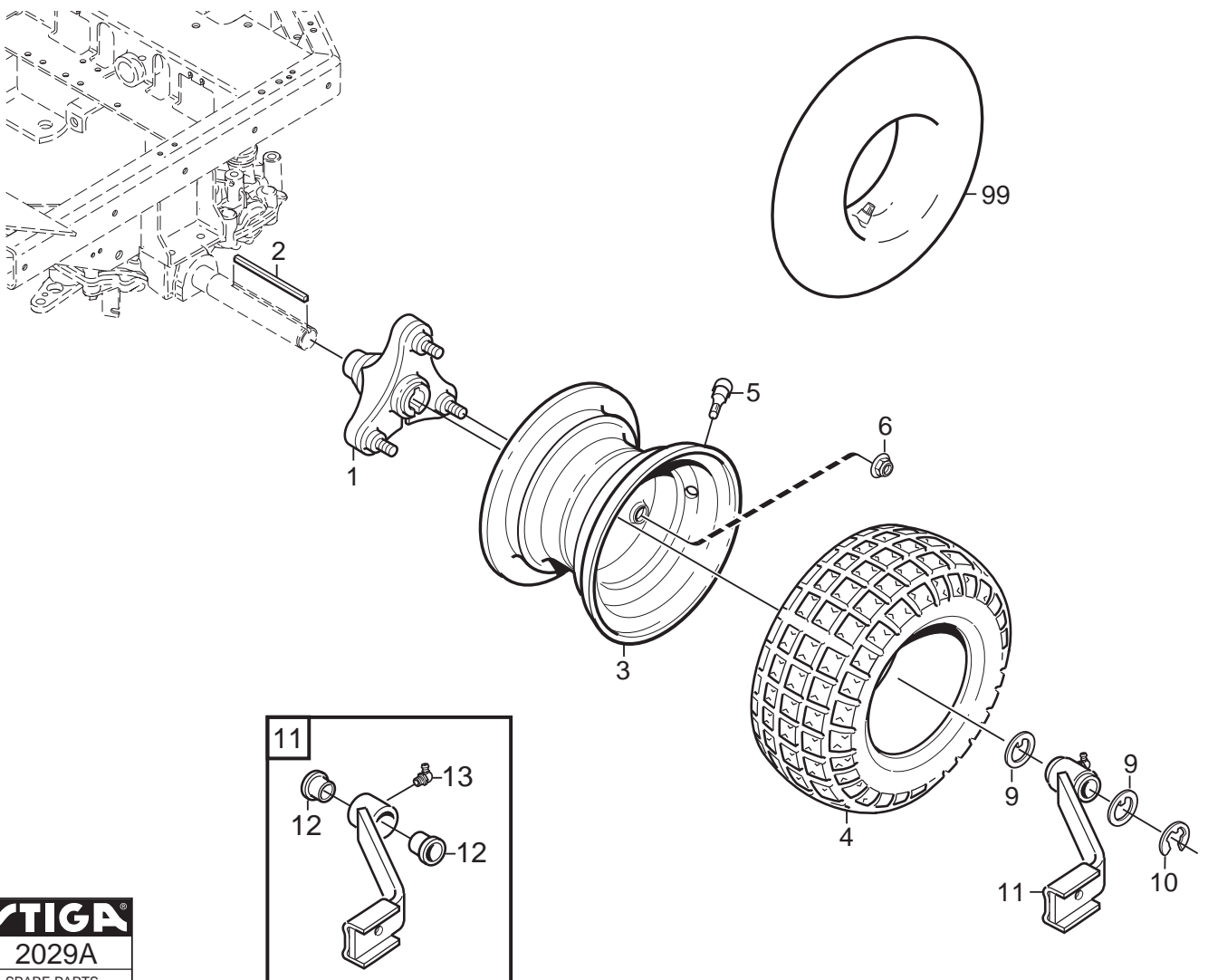
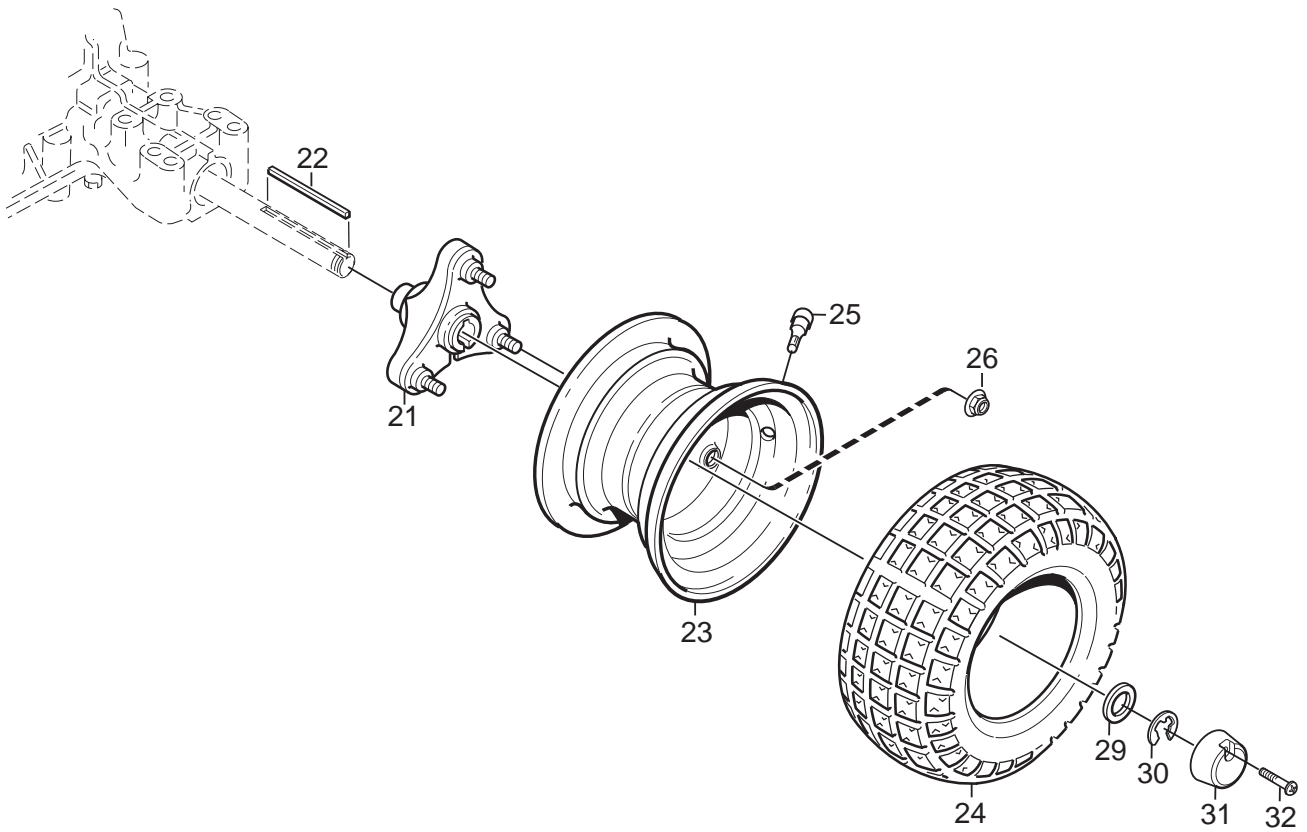
| Utgåva Issue 2007- 11 | | Bildnr Picture No 2039 | | PARK 4WD PRESTIGE- DIESEL UNLTD (IT)- POWER (CZ) TRANSMISSION (hydr) | | PARK 4WD PRESTIGE- DIESEL UNLTD (IT)- POWER (CZ) TRANSMISSION (hydr) | | Sida Page 106 | |
|-----------------------------|----------------------|------------------------------|--|---|---------------------------|---|-------------|---------------------|--|
| Pos. Fig. | Antal/Quantity | | | Art nr Part No | Benämning | Description | Sats Kit | Anmärkning Notes | |
| | 6185 6191 6192 | 6181 | | | | | | | |
| 1 | 1 | 1 | | 1134- 6044- 01 | Vinkeladapter | Angle coupling | | 3/4" x 9/16" | |
| 1A | 1 | 1 | | 9404- 0029- 01 | • O- ring | • O- ring | | | |
| 2 | 1 | 1 | | 1134- 5875- 01 | Skäringskoppling | Hydraulic coupling | | 3/4" | |
| 2A | 1 | 1 | | 9404- 0029- 01 | • O- ring | • O- ring | | | |
| 3 | 1 | 1 | | 1134- 6039- 01 | Hydraulrör | Hydraulic pipe | | | |
| 4 | 1 | 1 | | 1134- 4948- 01 | Tredobricka | Seal washer | | 1/4" | |
| 5 | 1 | 1 | | 1134- 6042- 01 | Snabbkoppling- hane | Quick coupling- male | | | |
| 6 | 1 | 1 | | 9578- 0028- 01 | Rörklammer | Tube clamp | | | |
| 7 | 1 | 1 | | 9959- 0825- 16 | Skruv | Screw | | | |
| 8 | 1 | 1 | | 1134- 1565- 09 | Distans | Spacer | | | |
| 9 | 1 | 1 | | 1134- 5809- 01 | Adapter | Hydraulic coupling | | 3/4" x 9/16" | |
| 9A | 1 | 1 | | 9404- 0029- 01 | • O- ring | • O- ring | | | |
| 10 | 1 | 1 | | 1134- 5758- 04 | Hydraulslang | Hydraulic tube | | | |
| 11 | 1 | 1 | | 1134- 6048- 01 | Hydraulslang | Hydraulic tube | | | |
| 12 | 1 | 1 | | 1134- 6043- 01 | Hydraulslang | Hydraulic tube | | | |
| 13 | 1 | 1 | | 1134- 6011- 01 | Hydraultank | Hydraulic oil tank | | | |
| 13A | 1 | 1 | | 1134- 5965- 01 | • Tanklock | • Tank cap | | | |
| 14 | 1 | 1 | | 1134- 5941- 01 | Tankkonsol | Tank bracket | | | |
| 15 | 2 | 2 | | 9959- 0820- 16 | Skruv | Screw | | | |
| 16 | 2 | 2 | | 9739- 0831- 22 | Mutter | Nut | | | |
| 17 | 1 | 1 | | 1134- 3203- 01 | Kabelgenomföring | Grommet | | | |
| 18 | 1 | 1 | | 1134- 5943- 01 | Tankbygel | Tank loop | | | |
| 19 | 2 | 2 | | 9747- 0631- 02 | Låsmutter | Lock nut | | | |
| 20 | 3 | 3 | | 9578- 0023- 04 | Slangklämma | Hose clamp | | | |
| 21 | 1 | 1 | | 1134- 2779- 02 | Slang | Tube | | L = 260 mm | |
| 30 | 1 | 1 | | 1134- 6162- 01 | Fäste | Bracket | | | |
| 31 | 2 | 2 | | 9939- 0612- 16 | Skruv | Screw | | | |
| 32 | 2 | 2 | | 9699- 0025- 02 | Planbricka | Washer | | | |
| 33 | 1 | 1 | | 1134- 6163- 01 | Wire | Cable | | | |
| 34 | 1 | 1 | | 9997- 0835- 12 | Skruv | Screw | | | |
| 35 | 2 | 2 | | 9739- 0831- 22 | Mutter | Nut | | | |
| 36 | 1 | 1 | | 1134- 6084- 01 | Reglagekonsol | Control bracket | | | |
| 37 | 1 | 1 | | 1134- 6083- 01 | Reglagestång | Control rod | | | |
| 38 | 1 | 1 | | 1134- 4014- 01 | Plastknopp | Plastic button | | | |
| 39 | 1 | 1 | | 1134- 2790- 01 | Gummihylsa | Rubber grommet | | | |
| 40 | 1 | 1 | | 9675- 0009- 02 | Starlock | Starlock | | | |
| 50 | 1 | 1 | | 1134- 4015- 01 | Dragstång | Pull rod | | | |
| 51 | 1 | 1 | | 1134- 4014- 01 | Plastknopp | Plastic button | | | |
| 52 | 1 | 1 | | 1134- 4713- 01 | Vinkel | Bracket | | | |
| 53 | 1 | 1 | | 1134- 2790- 01 | Gummihylsa | Rubber grommet | | | |
| 54 | 1 | 1 | | 9959- 0820- 16 | Skruv | Screw | | | |
| 55 | 1 | 1 | | 9739- 0831- 22 | Mutter | Nut | | | |
| 56 | 1 | 1 | | 9675- 0009- 02 | Starlock | Starlock | | | |
| 60 | | 1 | | 1134- 6051- 01 | Slangnippel | Hose nipple | | | |
| 61 | | 1 | | 1134- 6050- 01 | Böj | Elbow | | | |
| 62 | | 2 | | 9578- 0023- 06 | Slangklämma | Hose clamp | | | |



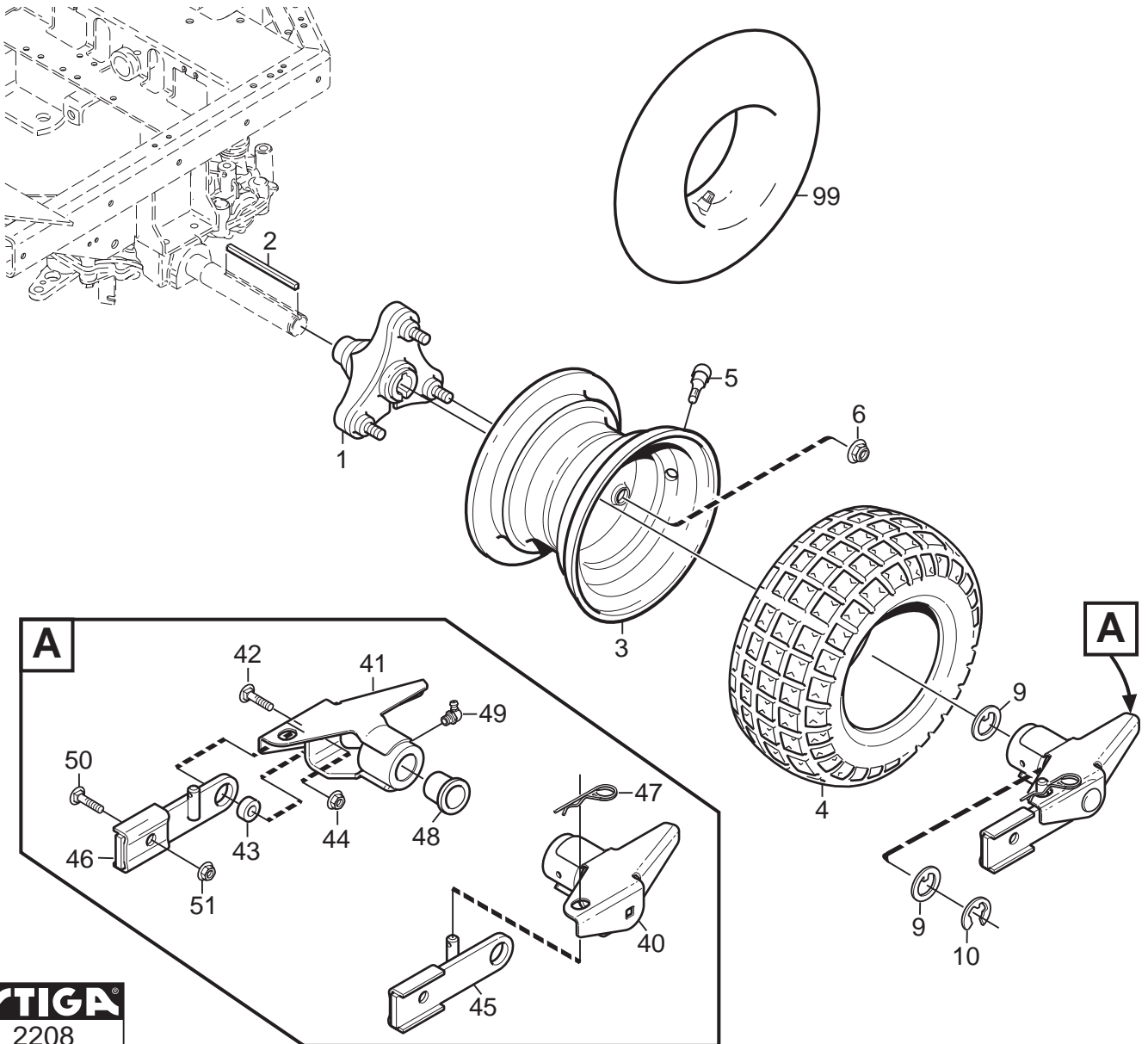
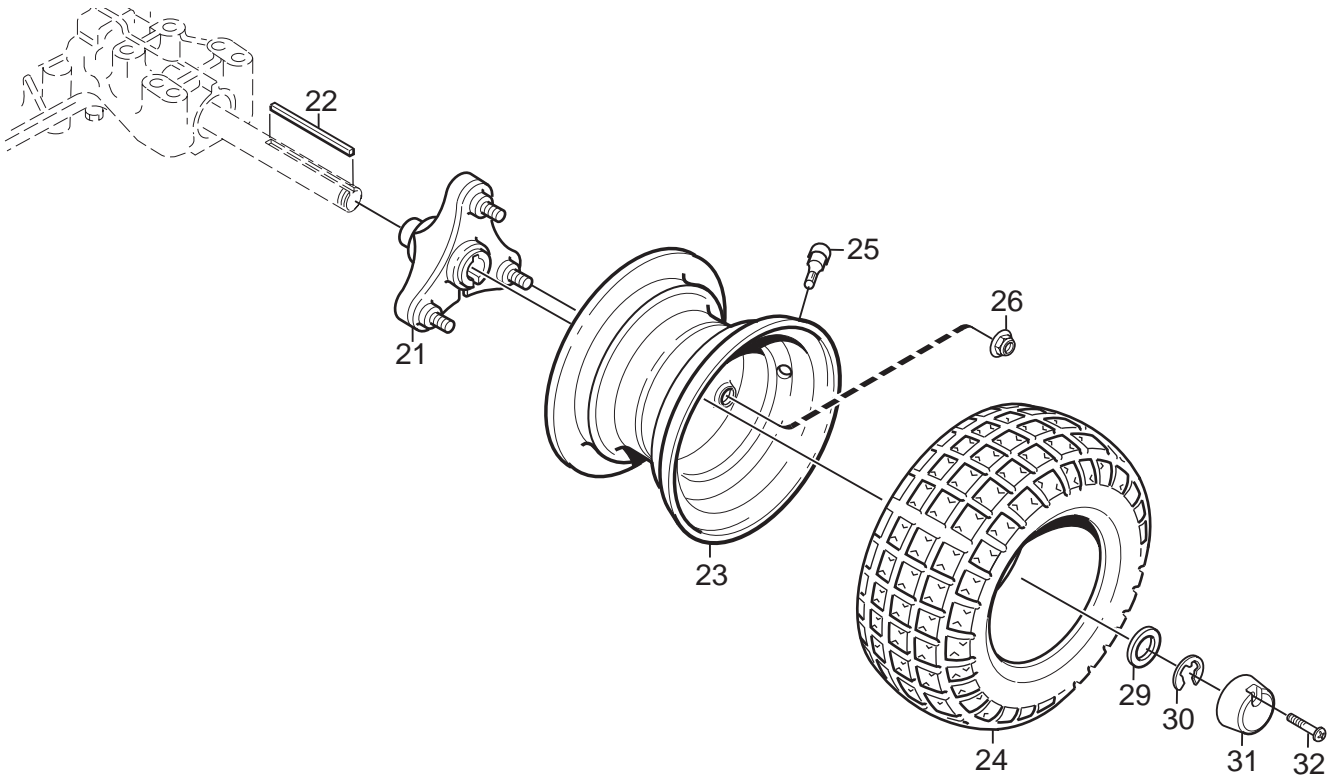
| Utgåva Issue 2007- 11 | | Bildnr Picture No 1346C | | PARK 2WD HJUL 16" | | PARK 2WD WHEELS 16" | | Sida Page 108 | |
|-----------------------------|------------------------------|-------------------------------|--|----------------------|-------------------|------------------------|--------------------------|---------------------|----------------------|
| Pos. Fig. | Antal/Quantity | | | | Art nr Part No | Benämning | Description | Sats Kit | Anmärkning Notes |
| | 6180 6182 6183 6184 | 6187 6189 6190 | | | | | | | |
| 1 | 2 | 2 | | | 1134- 0075- 01 | Framaxeltapp | Front axle | | |
| 2 | 2 | 2 | | | 9595- 0258- 00 | Spännstift | Locating pin | | |
| 3 | 2 | 2 | | | 1134- 4844- 05 | Hjulnav kpl..... | Wheel hub assy..... | | |
| 3A | 1 | 1 | | | 9501- 0500- 00 | • Smörjnippel | • Grease joint..... | | |
| 4 | 1 | 1 | | | 1134- 9026- 01 | • Lagerbussning..... | • Bearing bush kit | | Sats 4 st/kit of 4 |
| 5 | 2 | 2 | | | 1134- 4558- 01 | Fälg..... | Rim | | |
| 6 | 2 | 2 | | | 9545- 0116- 00 | Däck | Tyre..... | | 16 x 7.50 - 8 |
| 7 | 2 | 2 | | | 9545- 0500- 00 | Ventil | Valve | | |
| 8 | 6 | 6 | | | 9731- 1031- 22 | Mutter..... | Nut | | |
| 10 | 8 | 8 | | | 1134- 0341- 01 | Bricka | Washer..... | | |
| 11 | 2 | 2 | | | 9599- 0080- 02 | Saxsprint | Cotter pin | | |
| 12 | 2 | 2 | | | 1134- 4844- 02 | Hjulnav | Wheel hub | | |
| 13 | 2 | 2 | | | 1134- 4558- 01 | Fälg..... | Rim | | |
| 14 | 2 | 2 | | | 9545- 0116- 00 | Däck | Tyre..... | | 16 x 7.50 - 8 |
| 15 | 2 | 2 | | | 9545- 0500- 00 | Ventil | Valve | | |
| 16 | 6 | 6 | | | 9731- 1031- 22 | Mutter..... | Nut | | |
| 18 | 2 | 2 | | | 1134- 4796- 01 | Navkapsel | Hub cap..... | | |
| 19 | 2 | 2 | | | 9947- 0540- 19 | Skruv | Screw..... | | |
| 20 | 2 | 2 | | | 1134- 2471- 01 | Kil | Key | | |
| 21 | 2 | 2 | | | 9699- 0042- 02 | Planbricka..... | Flat washer..... | | |
| 22 | 2 | 2 | | | 9653- 0001- 04 | Spårryttare | Lock ring..... | | |
| 24 | 2 | 2 | | | 9598- 0003- 02 | Låsnål | Spring pin | | |
| 25 | 2 | 2 | | | 1134- 3710- 01 | Redskapsfäste | Tool attachment | | |
| 26 | 2 | 2 | | | 9699- 0042- 02 | Planbricka..... | Flat washer..... | | |
| 99 | | | | | 9545- 0203- 00 | Innerslang | Inner tube | | Reservdel/spare part |

X

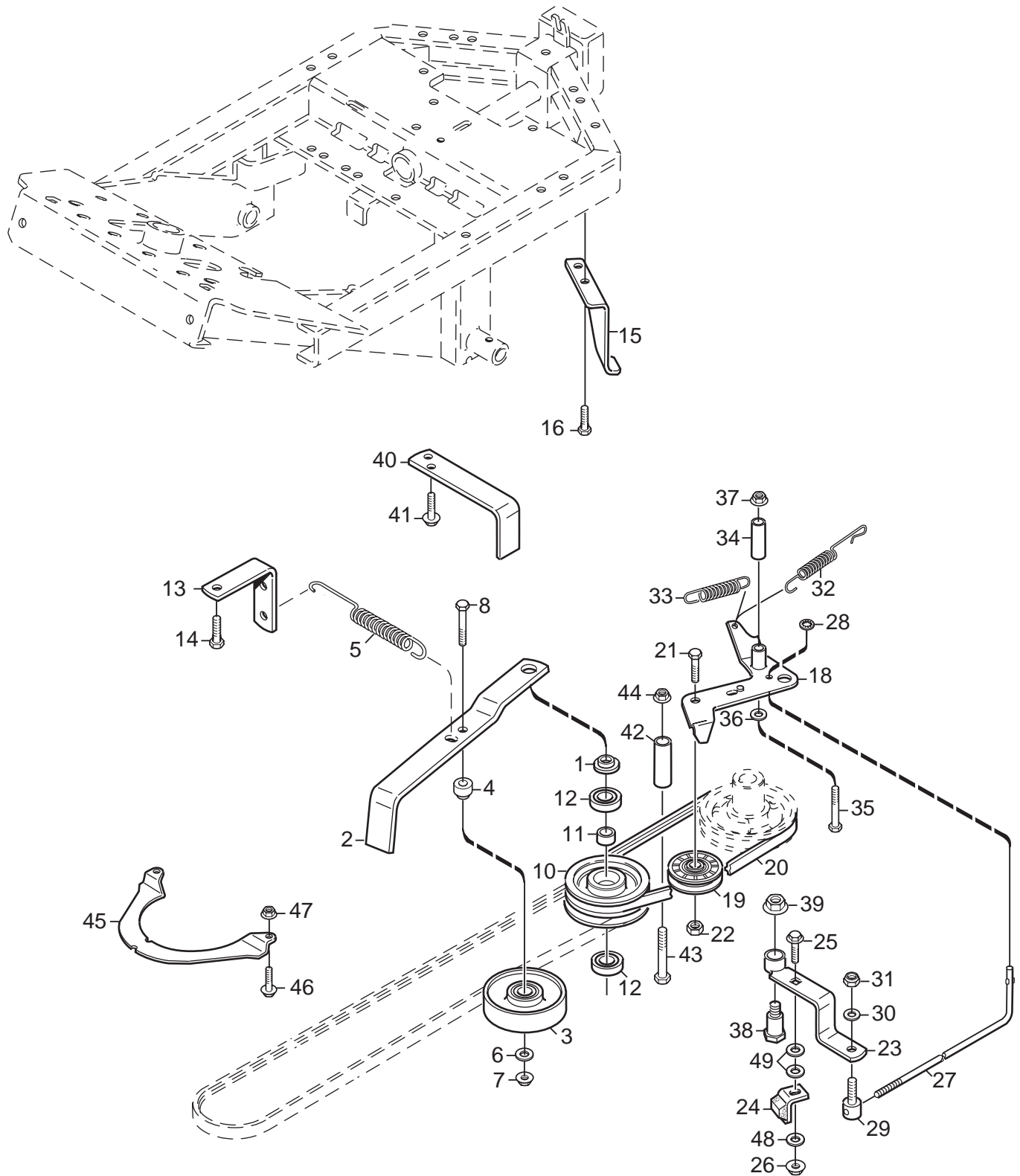
X



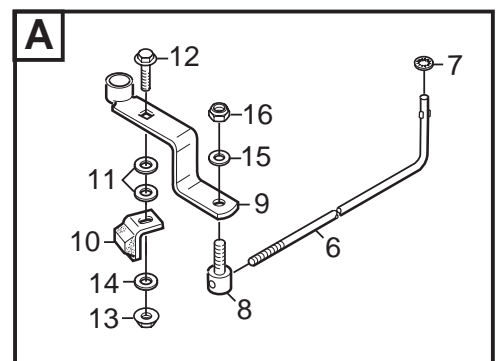
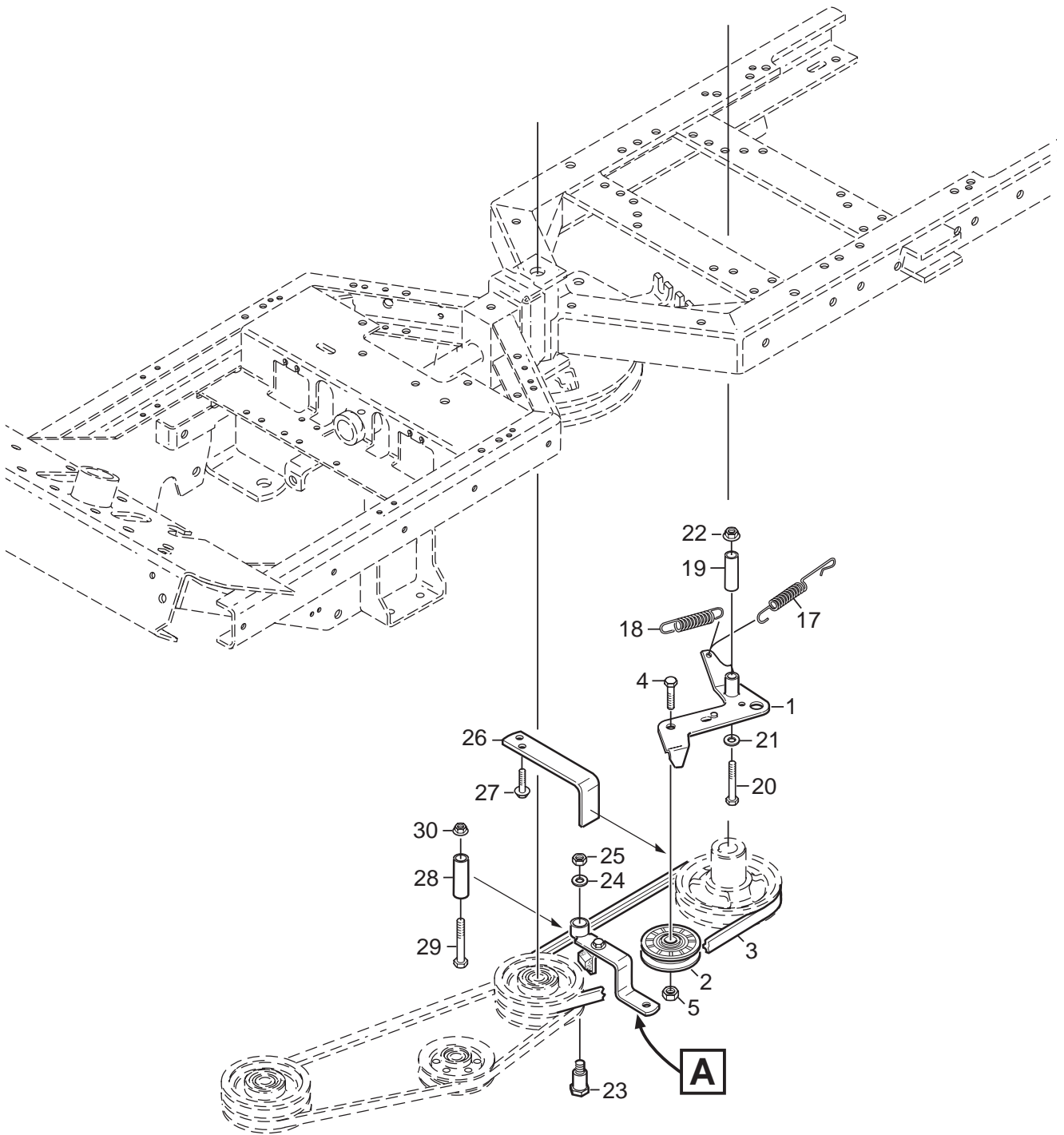
| Utgåva Issue 2007- 11 | | Bildnr Picture No 2029A | | PARK 4WD PRESTIGE UNLTD (IT)- POWER (CZ) HJUL 16" | | PARK 4WD PRESTIGE UNLTD (IT)- POWER (CZ) WHEELS 16" | | Sida Page 110 | |
|-----------------------------|----------------|-------------------------------|------|--|-------------------|--|----------------------------|---------------------|----------------------|
| Pos. Fig. | Antal/Quantity | | | | Art nr Part No | Benämning | Description | Sats Kit | Anmärkning Notes |
| | 6185 | 6191 | 6192 | | | | | | |
| X | 1 | 2 | | | 1134-4844-03 | Hjulnav | Wheel hub | | 16 x 7.50 - 8 |
| | 2 | 2 | | | 1134-3383-02 | Kil | Key | | |
| | 3 | 2 | | | 1134-4558-01 | Fälg | Rim | | |
| | 4 | 2 | | | 9545-0116-00 | Däck | Tyre | | |
| | 5 | 2 | | | 9545-0500-00 | Ventil | Valve | | |
| | 6 | 6 | | | 9731-1031-22 | Mutter | Nut | | |
| | 9 | 4 | | | 1134-5797-01 | Bricka | Washer | | |
| | 10 | 2 | | | 9653-0002-04 | Spärryttare | Lock ring | | |
| | 11 | 2 | | | 1134-5886-01 | Redskapsfäste kpl. | Tool attachment assy | | |
| | 12 | 2 | | | 1134-5686-01 | • Lagerbussning | • Bearing bush | | |
| | 13 | 1 | | | 9501-0502-00 | • Smörjnippel | • Grease joint | | |
| | 21 | 2 | | | 1134-4844-02 | Hjulnav | Wheel hub | | |
| | 22 | 2 | | | 1134-2471-01 | Kil | Key | | |
| | 23 | 2 | | | 1134-4558-01 | Fälg | Rim | | |
| | 24 | 2 | | | 9545-0116-00 | Däck | Tyre | 16 x 7.50 - 8 | |
| | 25 | 2 | | | 9545-0500-00 | Ventil | Valve | | |
| X | 26 | 6 | | | 9731-1031-22 | Mutter | Nut | | |
| | 29 | 2 | | | 9699-0042-02 | Planbricka | Flat washer | | |
| | 30 | 2 | | | 9653-0001-04 | Spärryttare | Lock ring | | |
| | 31 | 2 | | | 1134-4796-01 | Navkapsel | Hub cap | | |
| | 32 | 2 | | | 9947-0540-19 | Skruv | Screw | | |
| | 99 | | | | 9545-0203-00 | Innerslang | Inner tube | | Reservdel/spare part |



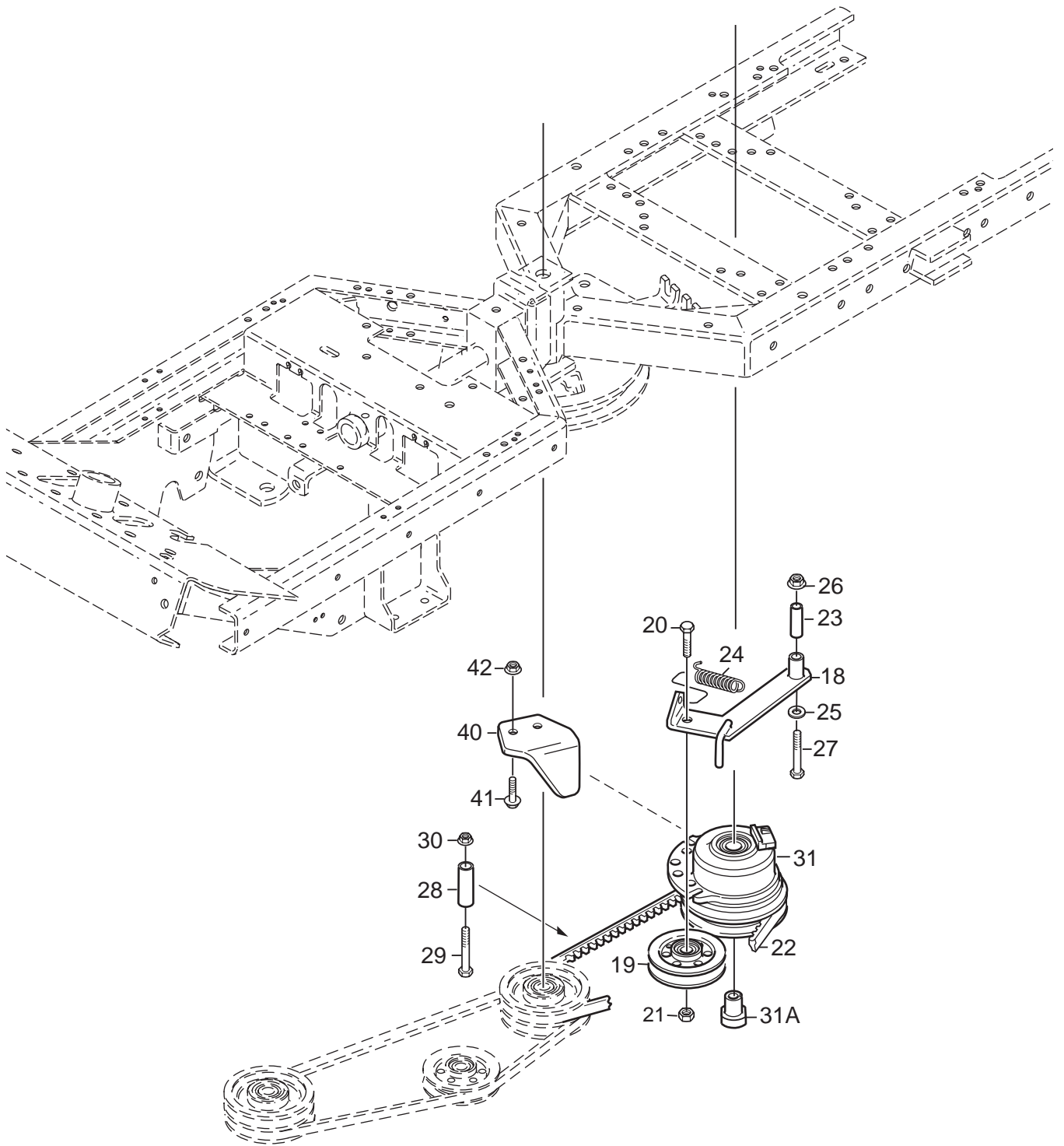
| Utgåva Issue | | Bildnr Picture No | | PARK 4WD DIESEL HJUL 16" | | PARK 4WD DIESEL WHEELS 16" | | Sida Page | |
|-----------------|----------------|----------------------|--|--------------------------------|-------------------|----------------------------------|----------------------|--------------|----------------------|
| 2007- 11 | | 2208 | | | | | | 112 | |
| Pos. Fig. | Antal/Quantity | | | | Art nr Part No | Benämning | Description | Sats Kit | Anmärkning Notes |
| | 6181 | | | | | | | | |
| | 1 | 2 | | | 1134-4844-03 | Hjulnav | Wheel hub | | |
| | 2 | 2 | | | 1134-3383-02 | Kil | Key | | |
| | 3 | 2 | | | 1134-4558-01 | Fälg | Rim | | |
| | 4 | 2 | | | 9545-0116-00 | Däck | Tyre | | 16 x 7.50 - 8 |
| | 5 | 2 | | | 9545-0500-00 | Ventil | Valve | | |
| X | 6 | 6 | | | 9731-1031-22 | Mutter | Nut | | |
| | 9 | 4 | | | 1134-5797-01 | Bricka | Washer | | |
| | 10 | 2 | | | 9653-0002-04 | Spärryttare | Lock ring | | |
| | 21 | 2 | | | 1134-4844-02 | Hjulnav | Wheel hub | | |
| | 22 | 2 | | | 1134-2471-01 | Kil | Key | | |
| | 23 | 2 | | | 1134-4558-01 | Fälg | Rim | | |
| | 24 | 2 | | | 9545-0116-00 | Däck | Tyre | | 16 x 7.50 - 8 |
| | 25 | 2 | | | 9545-0500-00 | Ventil | Valve | | |
| X | 26 | 6 | | | 9731-1031-22 | Mutter | Nut | | |
| | 29 | 2 | | | 9699-0042-02 | Planbricka | Flat washer | | |
| | 30 | 2 | | | 9653-0001-04 | Spärryttare | Lock ring | | |
| | 31 | 2 | | | 1134-4796-01 | Navkapsel | Hub cap | | |
| | 32 | 2 | | | 9947-0540-19 | Skruv | Screw | | |
| X | 40 | 1 | | | 1134-6398-01 | Handtag- vä | Handle- LH | | |
| X | 41 | 1 | | | 1134-6398-02 | Handtag- hö | Handle- RH | | |
| X | 42 | 2 | | | 9898-1025-16 | Skruv | Screw | | |
| X | 43 | 2 | | | 1134-6406-01 | Distans | Spacer | | |
| | 44 | 2 | | | 9747-1031-02 | Låsmutter | Lock nut | | |
| X | 45 | 1 | | | 1134-6397-01 | Fäste- vä | Attachment- LH | | |
| X | 46 | 1 | | | 1134-6397-02 | Fäste- hö | Attachment- RH | | |
| | 47 | 2 | | | 9598-2001-02 | Låsnål | Spring pin | | |
| | 48 | 4 | | | 1134-5686-01 | Lagerbussning | Bearing bush | | |
| | 49 | 2 | | | 9501-0502-00 | Smörjnippel | Grease joint | | |
| | 50 | 2 | | | 9898-1035-16 | Skruv | Screw | | |
| | 51 | 2 | | | 9739-1031-22 | Mutter | Nut | | |
| | 99 | | | | 9545-0203-00 | Innerslang | Inner tube | | Reservdel/spare part |



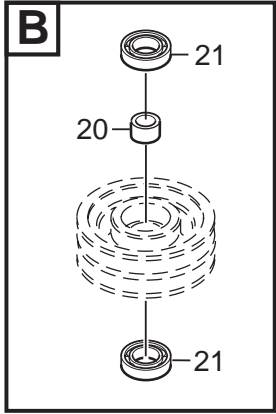
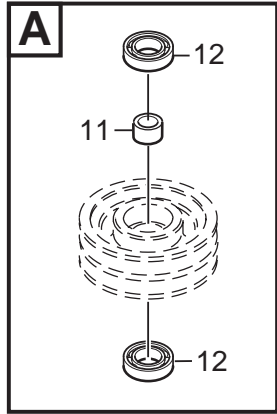
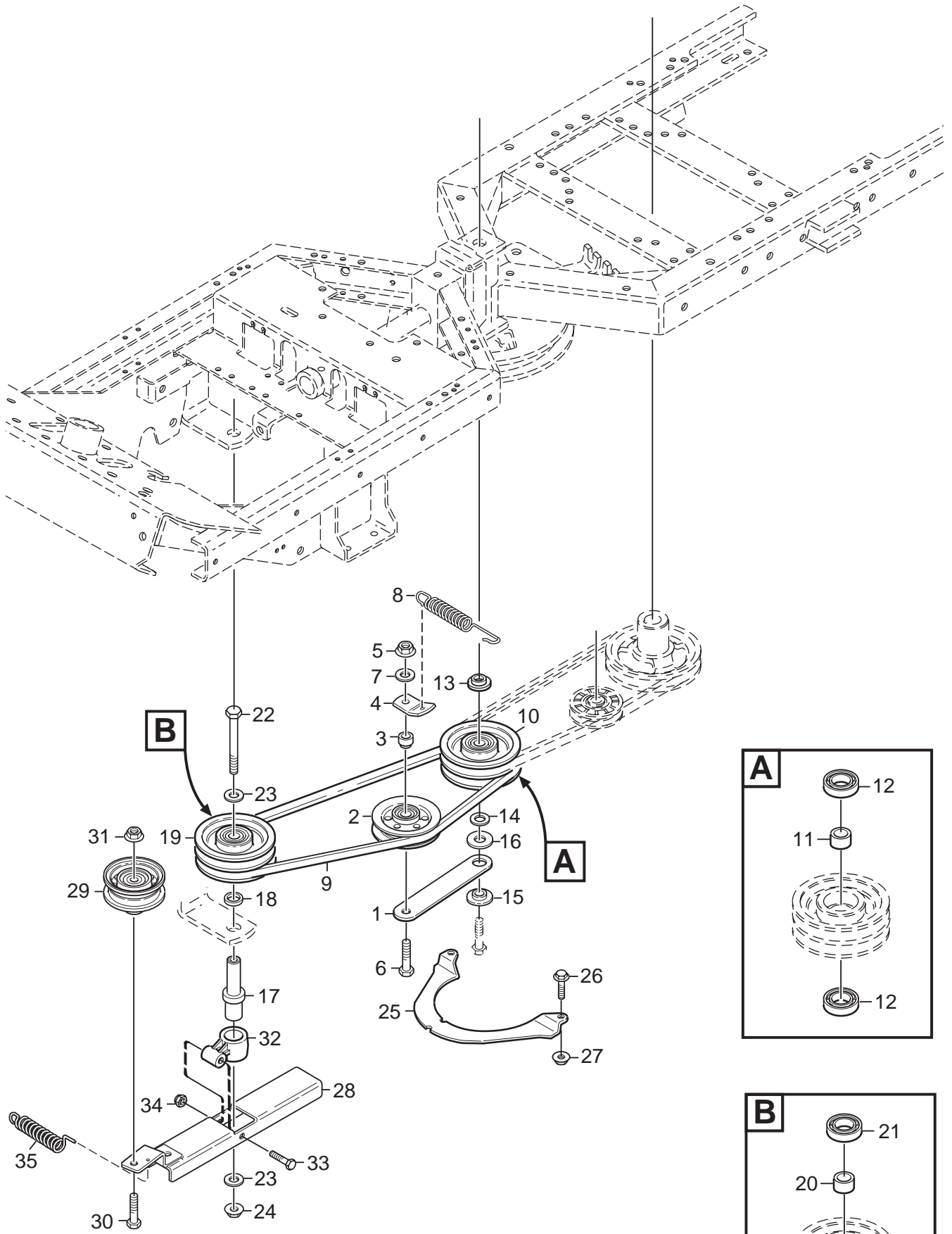
| Utgåva Issue 2007- 11 | | Bildnr Picture No 1030G | | PARK 2WD KRAFTUTTAG | | PARK 2WD POWER TAKE- OFF | | Sida Page 114 | |
|-----------------------------|----------------------|-------------------------------|---|------------------------|-------------------|-----------------------------|----------------------------|---------------------|---------------------|
| Pos. Fig. | Antal/Quantity | | | | Art nr Part No | Benämning | Description | Sats Kit | Anmärkning Notes |
| | 6182 6183 6184 | 6187 6189 6190 | | 6180 | | | | | |
| 1 | 1 | 1 | 1 | | 1134-5548-01 | Distans | Spacer | | |
| 2 | 1 | 1 | 1 | | 1134-5109-01 | Spännhjularm | Tension wheel arm | | |
| 3 | 1 | 1 | 1 | | 1134-1770-01 | Spännrulle | Tension roller | | |
| 4 | 1 | 1 | 1 | | 1134-1888-04 | Distans | Spacer | | |
| 5 | 1 | 1 | 1 | | 1134-5111-01 | Fjäder | Spring | | |
| 6 | 1 | 1 | 1 | | 9699-0056-02 | Planbricka | Flat washer | | |
| 7 | 1 | 1 | 1 | | 9739-0831-22 | Mutter | Nut | | |
| 8 | 1 | 1 | 1 | | 9997-0855-12 | Skruv | Screw | | |
| 10 | 1 | 1 | 1 | | 1134-1769-03 | Centrumremskiva kpl. | Centre pulley assy | | |
| 11 | 1 | 1 | 1 | | 1134-0051-09 | • Distans | • Spacer | | |
| 12 | 2 | 2 | 2 | | 9549-0019-00 | • Kullager | • Ball bearing | | |
| 13 | 1 | 1 | 1 | | 1134-5112-01 | Fjäderfäste | Spring attachment | | |
| 14 | 2 | 2 | 2 | | 9945-0816-16 | Skruv | Screw | | |
| 15 | 1 | 1 | 1 | | 1134-5110-01 | Hake | Hook | | |
| 16 | 2 | 2 | 2 | | 9893-0616-16 | Skruv | Screw | | |
| 18 | 1 | 1 | 1 | | 1134-2018-02 | Spännarm | Tension arm | | |
| 19 | 1 | 1 | 1 | | 1134-9027-02 | Spännrulle- grå | Tension roller- grey | | |
| 20 | 1 | 1 | 1 | | 1134-9071-01 | Drivrem | V- belt | | = 9585-0129-01 |
| 21 | 1 | 1 | 1 | | 9997-1030-16 | Skruv | Screw | | |
| 22 | 1 | 1 | 1 | | 9799-1031-02 | Mutter | Nut | | |
| 23 | 1 | 1 | 1 | | 1134-4111-01 | Bromsarm | Brake arm | | |
| 24 | 1 | 1 | 1 | | 1134-4164-03 | Bromsklots | Brake pad | | |
| 25 | 1 | 1 | 1 | | 9897-0825-16 | Skruv | Screw | | |
| 26 | 1 | 1 | 1 | | 9747-0831-02 | Mutter | Lock nut | | |
| 27 | 1 | 1 | 1 | | 1134-4162-01 | Bromsstång | Brake rod | | |
| 28 | 1 | 1 | 1 | | 9675-0008-02 | Starlock | Locking washer | | |
| 29 | 1 | 1 | 1 | | 1134-4170-01 | Nippel | Nipple | | |
| 30 | 1 | 1 | 1 | | 9699-0025-02 | Planbricka | Washer | | |
| 31 | 1 | 1 | 1 | | 9747-0631-02 | Låsmutter | Lock nut | | |
| 32 | 1 | 1 | 1 | | 4231-0013-00 | Fjäder | Spring | | |
| 33 | 1 | 1 | 1 | | 1134-4231-01 | Dragfjäder | Spring | | |
| 34 | 1 | 1 | 1 | | 1134-1565-10 | Distans | Spacer | | |
| 35 | 1 | 1 | 1 | | 9997-0860-16 | Skruv | Screw | | |
| 36 | 1 | 1 | 1 | | 9699-0056-02 | Planbricka | Flat washer | | |
| 37 | 1 | 1 | 1 | | 9739-0831-22 | Mutter | Nut | | |
| 38 | 1 | 1 | 1 | | 1134-4163-01 | Ansatsskruv | Shoulder bolt | | |
| 39 | 1 | 1 | 1 | | 9731-1031-22 | Mutter | Nut | | |
| 40 | 1 | 1 | 1 | | 1134-3958-01 | Remstyrning | Belt guide | | |
| 41 | 2 | 2 | | | 9893-0616-16 | Skruv | Screw | | |
| 42 | 1 | 1 | 1 | | 1134-0041-03 | Hylsa | Collar | | |
| 43 | 1 | 1 | 1 | | 9997-1070-12 | Skruv | Screw | | |
| 44 | 1 | 1 | 1 | | 9739-1031-22 | Mutter | Nut | | |
| 45 | 1 | 1 | 1 | | 1134-3654-01 | Fingerskydd | Finger guard | | |
| 46 | 2 | 2 | 2 | | 9959-0612-16 | Skruv | Screw | | |
| 47 | 2 | 2 | 2 | | 9739-0631-22 | Mutter | Nut | | |
| 48 | 1 | 1 | 1 | | 9699-0090-02 | Planbricka | Flat washer | | |
| 49 | 2 | 2 | 2 | | 9699-0035-02 | Planbricka | Flat washer | | |



| Utgåva Issue 2007- 11 | | Bildnr Picture No 2030 | | PARK 4WD PRESTIGE UNLTD (IT)- POWER (CZ) KRAFTUTTAG 1 | | PARK 4WD PRESTIGE UNLTD (IT)- POWER (CZ) POWER TAKE- OFF 1 | | Sida Page 116 | |
|-----------------------------|----------------|------------------------------|------|--|-------------------|---|----------------------------|---------------------|---------------------|
| Pos. Fig. | Antal/Quantity | | | | Art nr Part No | Benämning | Description | Sats Kit | Anmärkning Notes |
| | 6185 | 6191 | 6192 | | | | | | |
| X | 1 | 1 | | | 1134-2018-02 | Spännarm | Tension arm | | = 9585-0129-01 |
| | 2 | 1 | | | 1134-9027-02 | Spännrulle- grå | Tension roller- grey | | |
| | 3 | 1 | | | 1134-9071-01 | Drivrem | V- belt | | |
| | 4 | 1 | | | 9997-1030-16 | Skruv | Screw | | |
| | 5 | 1 | | | 9799-1031-02 | Mutter | Nut | | |
| | 6 | 1 | | | 1134-4162-01 | Bromsstång | Brake rod | | |
| | 7 | 1 | | | 9675-0008-02 | Starlock | Locking washer | | |
| | 8 | 1 | | | 1134-4170-01 | Nippel | Nipple | | |
| | 9 | 1 | | | 1134-4111-01 | Bromsarm | Brake arm | | |
| | 10 | 1 | | | 1134-4164-03 | Bromsklots | Brake pad | | |
| | 11 | 2 | | | 9699-0035-02 | Planbricka | Flat washer | | |
| | 12 | 1 | | | 9897-0825-16 | Skruv | Screw | | |
| | 13 | 1 | | | 9747-0831-02 | Mutter | Lock nut | | |
| | 14 | 1 | | | 9699-0090-02 | Planbricka | Flat washer | | |
| | 15 | 1 | | | 9699-0025-02 | Planbricka | Washer | | |
| | 16 | 1 | | | 9747-0631-02 | Låsmutter | Lock nut | | |
| | 17 | 1 | | | 4231-0013-00 | Fjäder | Spring | | |
| | 18 | 1 | | | 1134-4231-01 | Dragfjäder | Spring | | |
| | 19 | 1 | | | 1134-1565-10 | Distans | Spacer | | |
| | 20 | 1 | | | 9997-0860-16 | Skruv | Screw | | |
| | 21 | 1 | | | 9699-0056-02 | Planbricka | Flat washer | | |
| | 22 | 1 | | | 9739-0831-22 | Mutter | Nut | | |
| | 23 | 1 | | | 1134-4163-01 | Ansatsskruv | Shoulder bolt | | |
| | 24 | 1 | | | 9699-0035-02 | Planbricka | Flat washer | | |
| | 25 | 1 | | | 9739-1031-22 | Mutter | Nut | | |
| | 26 | 1 | | | 1134-3958-01 | Remstyrning | Belt guide | | |
| | 27 | 2 | | | 9893-0616-16 | Skruv | Screw | | |
| | 28 | 1 | | | 1134-0041-03 | Hylsa | Collar | | |
| | 29 | 1 | | | 9997-1070-12 | Skruv | Screw | | |
| | 30 | 1 | | | 9739-1031-22 | Mutter | Nut | | |



| Utgåva Issue 2007- 11 | | Bildnr Picture No 2209 | | PARK 4WD DIESEL KRAFTUTTAG 1 | | PARK 4WD DIESEL POWER TAKE- OFF 1 | | Sida Page 118 | |
|-----------------------------|----------------|------------------------------|--|------------------------------------|-------------------|---|----------------------------|---------------------|---------------------|
| Pos. Fig. | Antal/Quantity | | | | Art nr Part No | Benämning | Description | Sats Kit | Anmärkning Notes |
| | 6181 | | | | | | | | |
| 18 | 1 | | | | 1134-3658-02 | Spännarm | Tensioning arm | | = 9585-0088-00 |
| 19 | 1 | | | | 1134-3663-01 | Spännrulle | Tension wheel | | |
| 20 | 1 | | | | 9997-1040-16 | Skruv | Screw | | |
| 21 | 1 | | | | 9739-1031-22 | Mutter | Nut | | |
| 22 | 1 | | | | 1134-9047-01 | Drivrem | V- belt..... | | |
| 23 | 1 | | | | 1134-1565-10 | Distans | Spacer | | |
| 24 | 1 | | | | 1134-3379-01 | Fjäder..... | Spring | | |
| 25 | 1 | | | | 9699-0056-02 | Planbricka..... | Flat washer..... | | |
| 26 | 1 | | | | 9739-0831-22 | Mutter..... | Nut | | |
| 27 | 1 | | | | 9997-0860-16 | Skruv | Screw | | |
| 28 | 1 | | | | 1134-0041-03 | Hylsa | Collar | | |
| 29 | 1 | | | | 9997-1070-12 | Skruv | Screw | | |
| 30 | 1 | | | | 9739-1031-22 | Mutter..... | Nut | | |
| 31 | 1 | | | | 1134-3638-01 | Magnetkoppling..... | Electric pto- clutch | | |
| 31 A | 1 | | | | 1134-5016-01 | • Bussning..... | • Bushing..... | | |
| 40 | 1 | | | | 1134-4924-01 | Momentstag | Strut | | |
| 41 | 2 | | | | 9997-1050-16 | Skruv | Screw | | |
| 42 | 2 | | | | 9739-1031-22 | Mutter..... | Nut | | |



| Utgåva Issue 2007- 11 | | Bildnr Picture No 2031A | | PARK 4WD PRESTIGE- DIESEL UNLTD (IT)- POWER (CZ) KRAFTUTTAG 2 | | PARK 4WD PRESTIGE- DIESEL UNLTD (IT)- POWER (CZ) POWER TAKE- OFF 2 | | Sida Page 120 | |
|-----------------------------|----------------|-------------------------------|------|--|-------------------|---|--------------------------|---------------------|---------------------|
| Pos. Fig. | Antal/Quantity | | | | Art nr Part No | Benämning | Description | Sats Kit | Anmärkning Notes |
| | 6181 | 6185 | 6191 | 6192 | | | | | |
| 1 | 1 | | | | 1134- 1730- 01 | Spännhjulssarm | Tension wheel arm | | = 9585- 0148- 01 |
| 2 | 1 | | | | 1134- 3663- 01 | Spännrulle | Tension wheel | | |
| 3 | 1 | | | | 1134- 1888- 05 | Distans | Spacer | | |
| 4 | 1 | | | | 1134- 1893- 01 | Fjäderfäste | Spring attachment | | |
| 5 | 1 | | | | 9739- 1031- 22 | Mutter | Nut | | |
| 6 | 1 | | | | 9997- 1060- 12 | Skruv | Screw | | |
| 7 | 1 | | | | 9699- 0035- 02 | Planbricka | Flat washer | | |
| 8 | 1 | | | | 1134- 5713- 01 | Dragfjäder | Spring | | |
| 9 | 1 | | | | 1134- 9098- 01 | Drivrem | V- belt | | |
| 10 | 1 | | | | 1134- 1769- 03 | Centrumremskiva kpl. | Centre pulley assy | | |
| 11 | 1 | | | | 1134- 0051- 09 | • Distans | • Spacer | | |
| 12 | 2 | | | | 9549- 0019- 00 | • Kullager | • Ball bearing | | |
| 13 | 1 | | | | 1134- 5548- 01 | Distans | Spacer | | |
| 14 | 1 | | | | 9699- 0035- 02 | Planbricka | Flat washer | | |
| 15 | 1 | | | | 1134- 0222- 00 | Bricka | Washer | | |
| 16 | 1 | | | | 9699- 0109- 02 | Planbricka | Flat washer | | |
| 17 | 1 | | | | 1134- 5663- 01 | Axel | Shaft | | |
| 18 | 1 | | | | 1134- 0052- 00 | Lagerdistans | Bearing spacer | | |
| 19 | 1 | | | | 1134- 1769- 03 | Centrumremskiva kpl. | Centre pulley assy | | |
| 20 | 1 | | | | 1134- 0051- 09 | • Distans | • Spacer | | |
| 21 | 2 | | | | 9549- 0019- 00 | • Kullager | • Ball bearing | | |
| 22 | 1 | | | | 9997- 1011- 06 | Skruv | Screw | | |
| 23 | 2 | | | | 9699- 0030- 02 | Planbricka | Flat washer | | |
| 24 | 1 | | | | 9739- 1031- 22 | Mutter | Nut | | |
| 25 | 1 | | | | 1134- 3654- 01 | Fingerskydd | Finger guard | | |
| 26 | 2 | | | | 9959- 0612- 16 | Skruv | Screw | | |
| 27 | 2 | | | | 9739- 0631- 22 | Mutter | Nut | | |
| 28 | 1 | | | | 1134- 5660- 01 | Spännarm | Tension arm | | |
| 29 | 1 | | | | 1134- 5823- 01 | Spännrulle | Tension roller | | |
| 30 | 1 | | | | 9997- 1050- 16 | Skruv | Screw | | |
| 31 | 1 | | | | 9739- 1031- 22 | Mutter | Nut | | |
| 32 | 1 | | | | 1134- 6314- 01 | Spännarmsfäste | Attachment | | |
| 33 | 1 | | | | 9997- 0645- 12 | Skruv | Screw | | |
| 34 | 1 | | | | 9747- 0631- 02 | Låsmutter | Lock nut | | |
| 35 | 1 | | | | 1134- 5824- 01 | Fjäder | Spring | | |

X