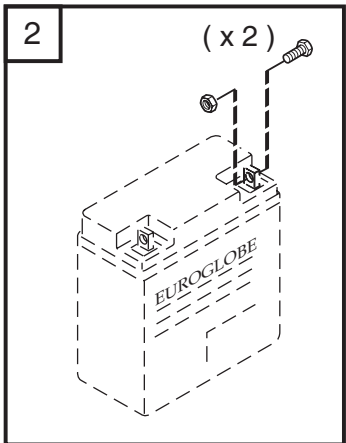
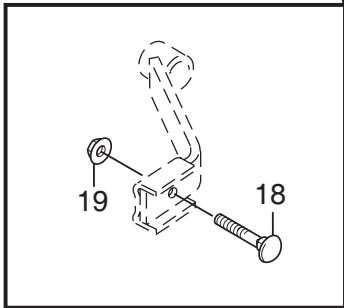
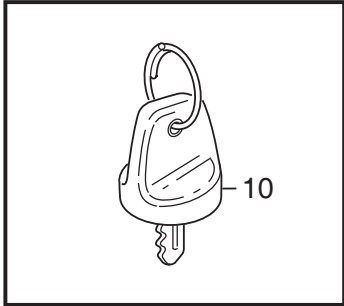
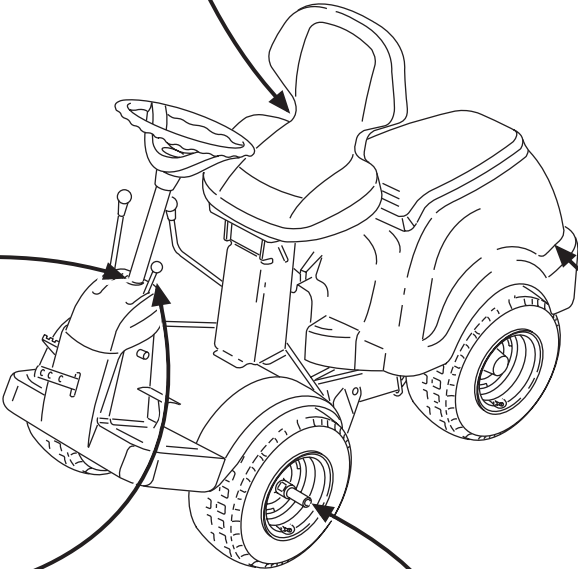
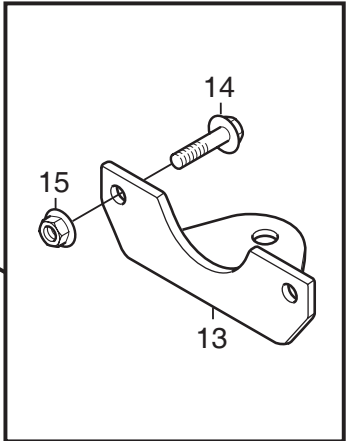
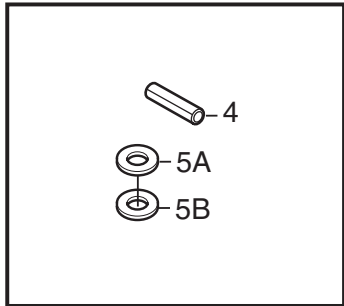
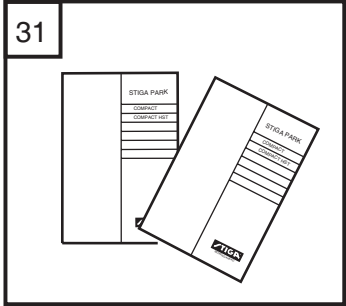
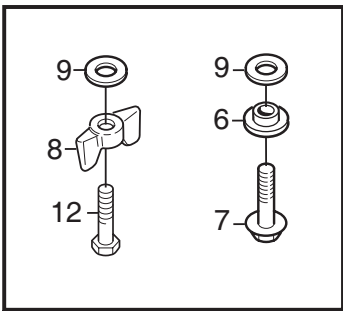
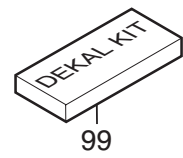
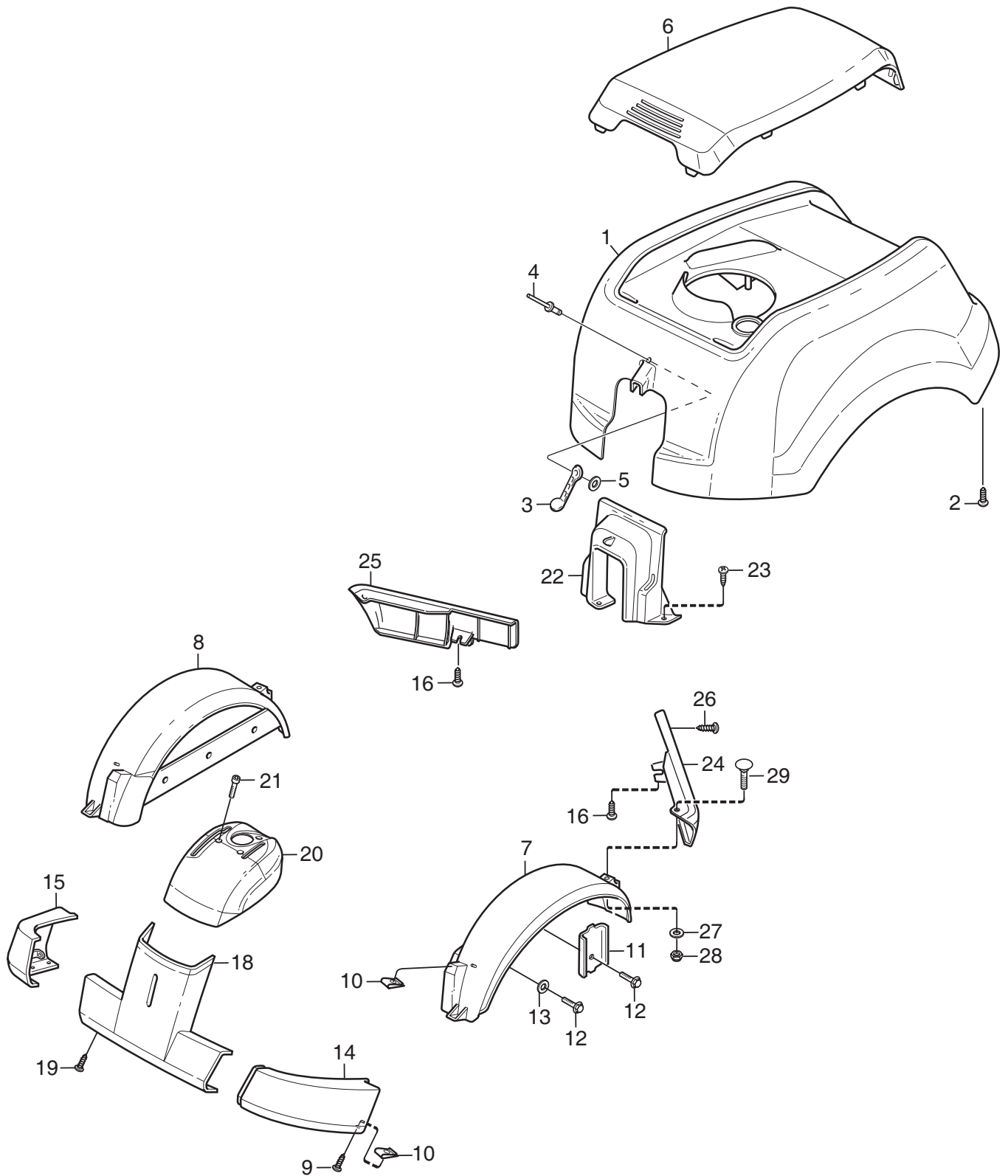


Genuine Spare Parts

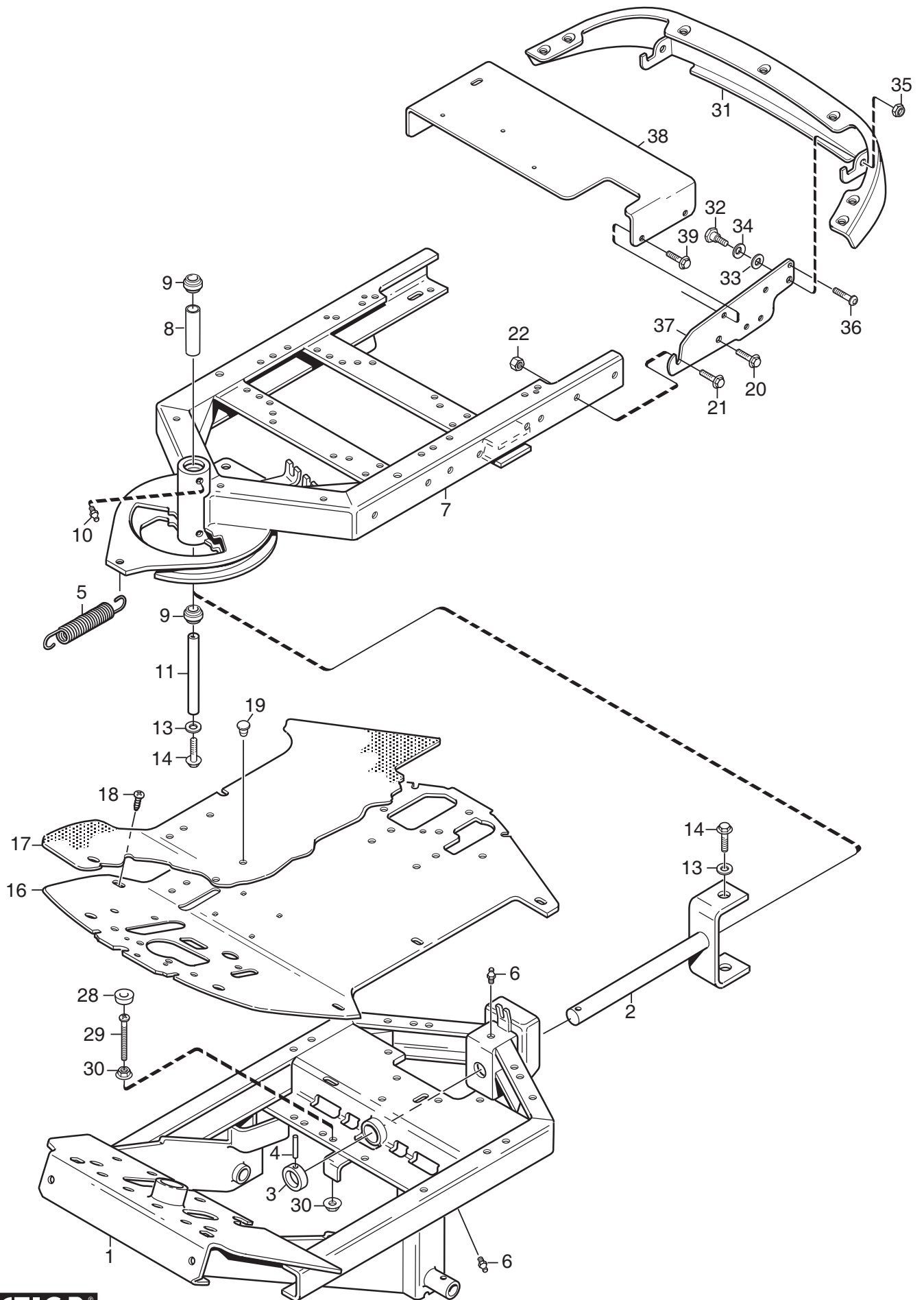




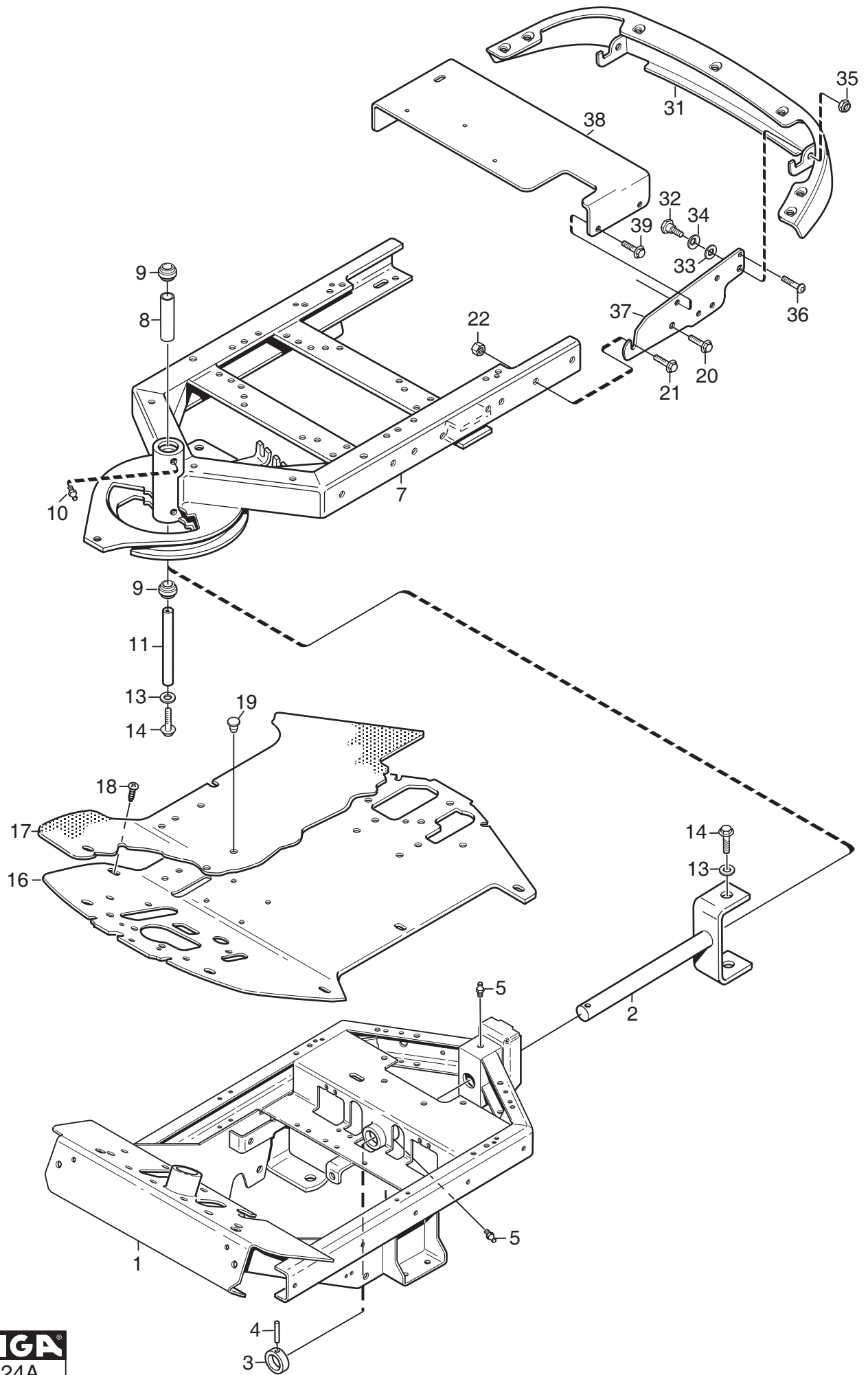
Utgåva Issue		Bildnr Picture No		PARK COMPACT MONTERINGSDETALJER		PARK COMPACT ASSEMBLY PARTS		Sida Page	
2008- 11		1638C						2	
Pos. Fig.	Antal/Quantity			Art nr Part No	Benämning	Description	Sats Kit	Anmärkning Notes	
	6101	6102 6103	6104						
	2	1	1	1	1134-6113-01 Batteriskruvar	Battery screws			
	4	1	1	1	9595-0262-00 Spännstift	Locating pin			
	5A	1	1	1	9699-0103-02 Shims	Flat washer		0.5 mm	
	5B	1	1	1	9699-0114-02 Shims	Flat washer		1.0 mm	
	6	2	2	2	1134-4185-01 Ansatsbricka	Flange washer			
	7	2	2	2	9959-0820-16 Skruv	Screw			
	8	2	2	2	1134-4481-01 Vingmutter	Wing nut			
	9	4	4	4	9699-0056-02 Planbricka	Flat washer			
	10	2	2	2	1134-4734-01 Tändningsnyckel	Ignition key			
	12	2	2	2	9997-0820-16 Skruv	Screw			
	13	1	1	1	1134-5512-01 Dragplåt	Towing plate			
	14	2	2	2	9959-0820-16 Skruv	Screw			
	15	2	2	2	9739-0831-22 Mutter	Nut			
	18	2	2	2	9898-1035-16 Skruv	Screw			
	19	2	2	2	9739-1031-22 Mutter	Nut			
X	31	1	1	1	8211-0001-80 Bruksanvisning	Owner's manual			
X	31	1	1	1	8211-0002-80 Bruksanvisning	Owner's manual			
X	31	1	1	1	8211-0601-80 Monteringsanvisning	Assy instructions			
X	31	1	1	1	8211-0701-80 Säkerhetsföreskrifter	Safety regulations			
X	31	1	1	1	8211-0901-80 Servicebok	Service book			
X	31	1	1	1	8211-0950-80 Garantikort	Warranty card			



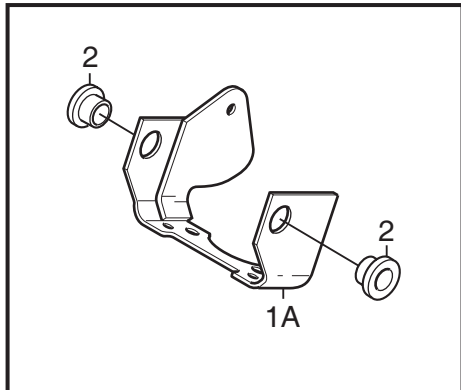
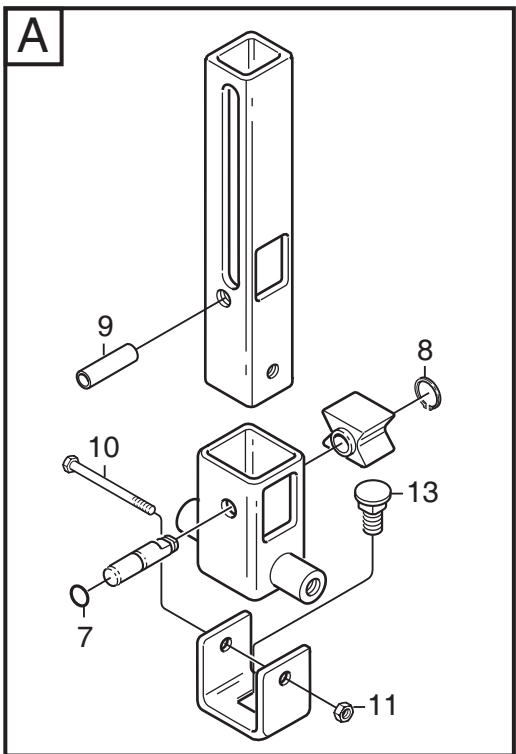
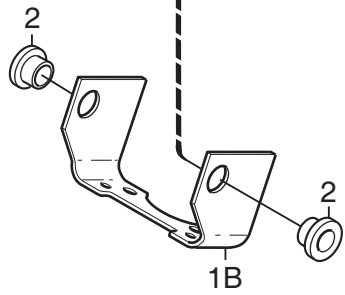
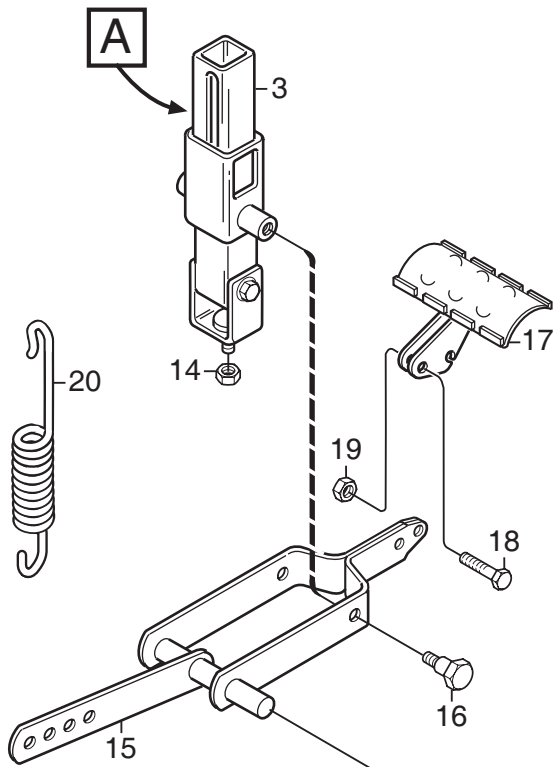
Utgåva Issue		Bildnr Picture No		PARK COMPACT KAROSS		PARK COMPACT BODY WORK		Sida Page	
2008- 11		1658B						4	
Pos. Fig.	Antal/Quantity			Art nr Part No	Benämning	Description	Sats Kit	Anmärkning Notes	
	6101	6102 6103	6104						
1	1	1	1	1134-5263-02	Motorhuv- gul	Engine hood- yellow		Sats 3 st/kit of 3	
2	7	7	7	9838-9530-12	Skruv	Screw			
3	1	1	1	1134-9028-01	Gummistropp- sats	Rubber strap kit			
4	1	1	1	9632-0516-00	Popnit	Pop rivet			
5	1	1	1	9699-0120-02	Bricka	Washer			
6	1	1	1	1134-5264-01	Motorlucka- grå	Engine cover- grey			
7	1	1	1	1134-5308-01	Stänkskärm vä- grå	Mud guard LH- grey			
8	1	1	1	1134-5308-02	Stänkskärm hö- grå	Mud guard RH- grey			
9	4	4	4	9893-0616-16	Skruv	Screw			
10	4	4	4	1134-4176-01	Clips	Clips			
11	2	2	2	1134-0225-00	Stödplåt	Support plate			
12	6	6	6	9945-0816-16	Skruv	Screw			
13	4	4	4	9699-0056-02	Planbricka	Flat washer			
14	1	1	1	1134-5306-01	Stötfångare, front- vä	Bumper, front- LH			
15	1	1	1	1134-5306-02	Stötfångare, front- hö	Bumper, front- RH			
16	2	2	2	9893-0616-16	Skruv	Screw			
18	1	1	1	1134-5305-01	Front- nedre	Front plate- lower			
19	2	2	2	9893-0616-16	Skruv	Screw			
20	1			1134-5320-01	Front- övre	Front- upper			
20		1	1	1134-5320-02	Front- övre	Front- upper			
21	2	2	2	9946-0525-16	Skruv	Screw			
22	1	1	1	1134-6241-01	Huvstöd	Hood support			
23	3	3	3	9893-0616-16	Skruv	Screw			
24	1	1	1	1134-3970-05	Kantlist- vä, grå	Moulding- LH, grey			
25	1	1	1	1134-3970-02	Kantlist- hö, grå	Moulding- RH, grey			
26	2	2	2	9893-0616-16	Skruv	Screw			
27	2	2	2	9699-0060-02	Planbricka	Flat washer			
28	2	2	2	9747-0631-02	Låsmutter	Lock nut			
29	2	2	2	9897-0616-16	Vagnsbult	Carriage bolt			
99	1			1134-6440-01	Dekalsats	Label kit			
99		1		1134-6440-02	Dekalsats	Label kit			
99			1	1134-6440-03	Dekalsats	Label kit			



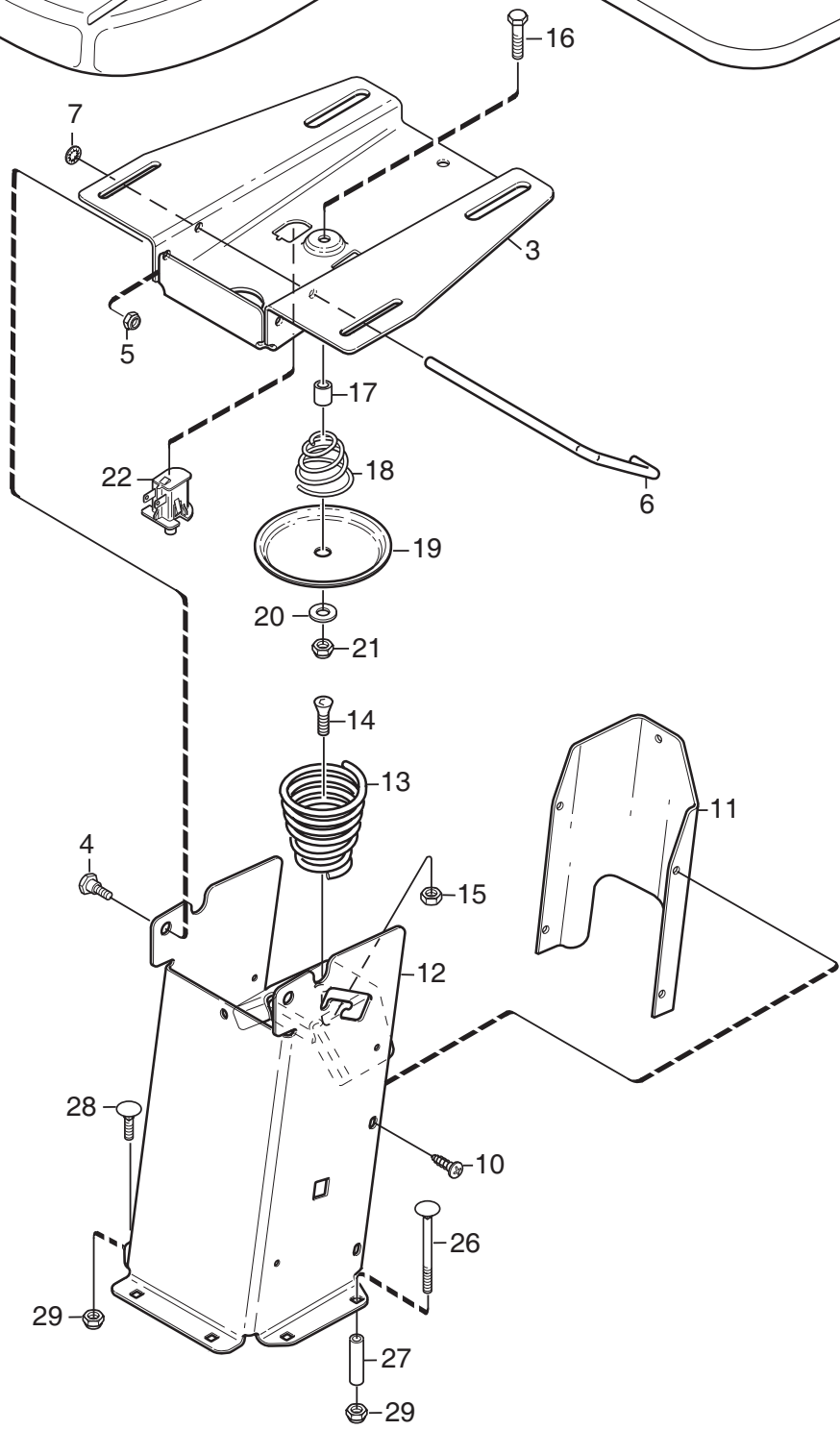
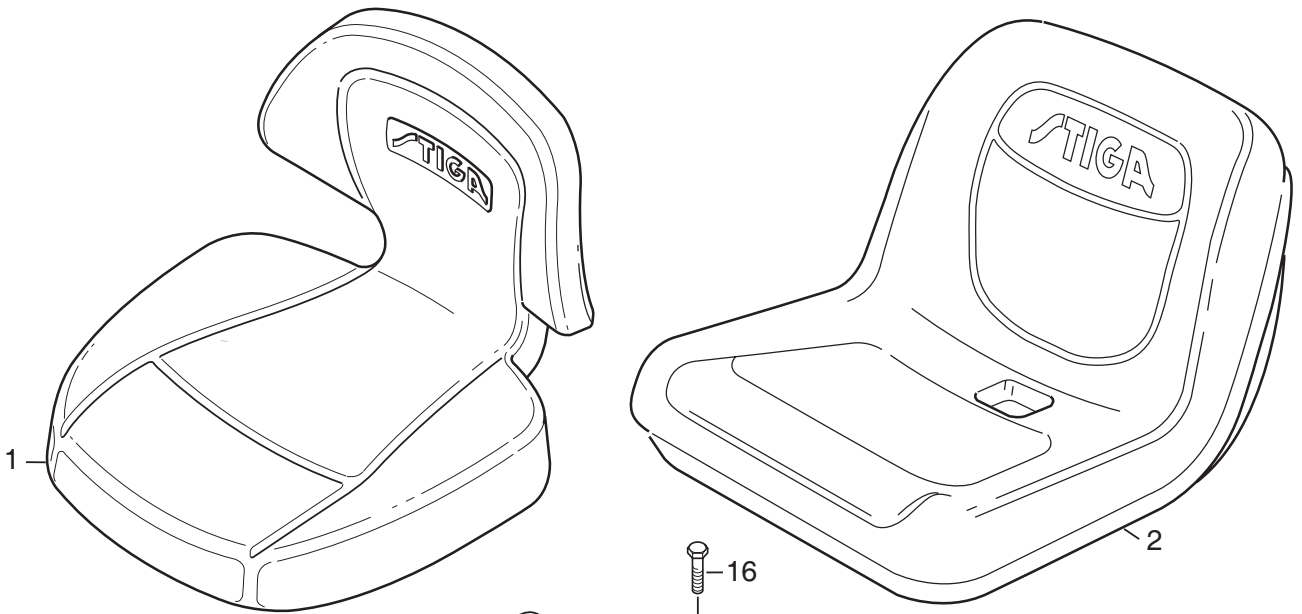
Utgåva Issue		Bildnr Picture No		PARK COMPACT 2WD RAM		PARK COMPACT 2WD FRAME		Sida Page	
2008- 11		1669C						6	
Pos. Fig.	Antal/Quantity			Art nr Part No	Benämning	Description	Sats Kit	Anmärkning Notes	
	6101	6102 6103							
X	1	1	1	1134-5315-03	Ram- främre	Frame- front			
	2	1	1	1134-3963-02	• Midjegaffel	• Clevis			
	3	1	1	1134-0031-00	• Ledaxelstopp	• Pivot shaft stop			
	4	1	1	9595-0262-00	• Spännstift	• Locating pin			
	5	1	1	1134-2171-01	Fjäder.....	Spring			
	6	2	2	9501-0500-00	Smörjnippel	Grease joint.....			
	7	1	1	1134-6466-01	Ram- bakre	Frame- rear.....			
	8	1	1	1134-5705-01	• Distans	• Spacer.....			
	9	2	2	9547-0001-00	• Ledlager.....	• Bearing.....			
	10	2	2	9501-0500-00	• Smörjnippel	• Grease joint.....			
	11	1	1	1134-5988-01	Centrumaxel	Centre shaft.....			
	13	2	2	9699-0035-02	Planbricka.....	Flat washer.....			
	14	2	2	9959-1025-16	Skruv.....	Screw.....			
	16	1	1	1134-5294-01	Durk.....	Floor plate			
	17	1		1134-5513-02	Durkmatta.....	Floor mat.....			
	17		1	1134-6372-04	Durkmatta.....	Floor mat.....			
	18	2	2	9893-0616-16	Skruv.....	Screw.....			
	19		2	9403-0048-70	Täckpropp	Plug			
	20	2	2	9945-0816-16	Skruv.....	Screw.....			
	21	2	2	9959-0820-16	Skruv.....	Screw.....			
	22	2	2	9739-0831-22	Mutter.....	Nut.....			
	28	1	1	1134-4975-01	Gummibuffert	Rubber block.....			
	29	1	1	9950-0570-12	Skruv.....	Screw.....			
	30	2	2	9739-0531-22	Mutter.....	Nut.....			
	31	1	1	1134-5337-02	Stötfångare- bak, grå	Bumper- rear, grey			
	32	2	2	1134-0240-00	Ansatssskruv.....	Shoulder screw			
	33	2	2	1134-4242-01	Distansbricka.....	Spacer washer			
	34	2	2	9665-0002-00	Brickfjäder	Bowed washer.....			
	35	2	2	9747-0831-02	Mutter.....	Lock nut.....			
	36	2	2	9943-0516-16	Skruv.....	Screw.....			
	37	2	2	1134-5345-01	Stag	Attachment.....			
	38	1	1	1134-5344-01	Batterihylla.....	Battery shelf.....			
	39	4	4	9945-0816-16	Skruv.....	Screw.....			



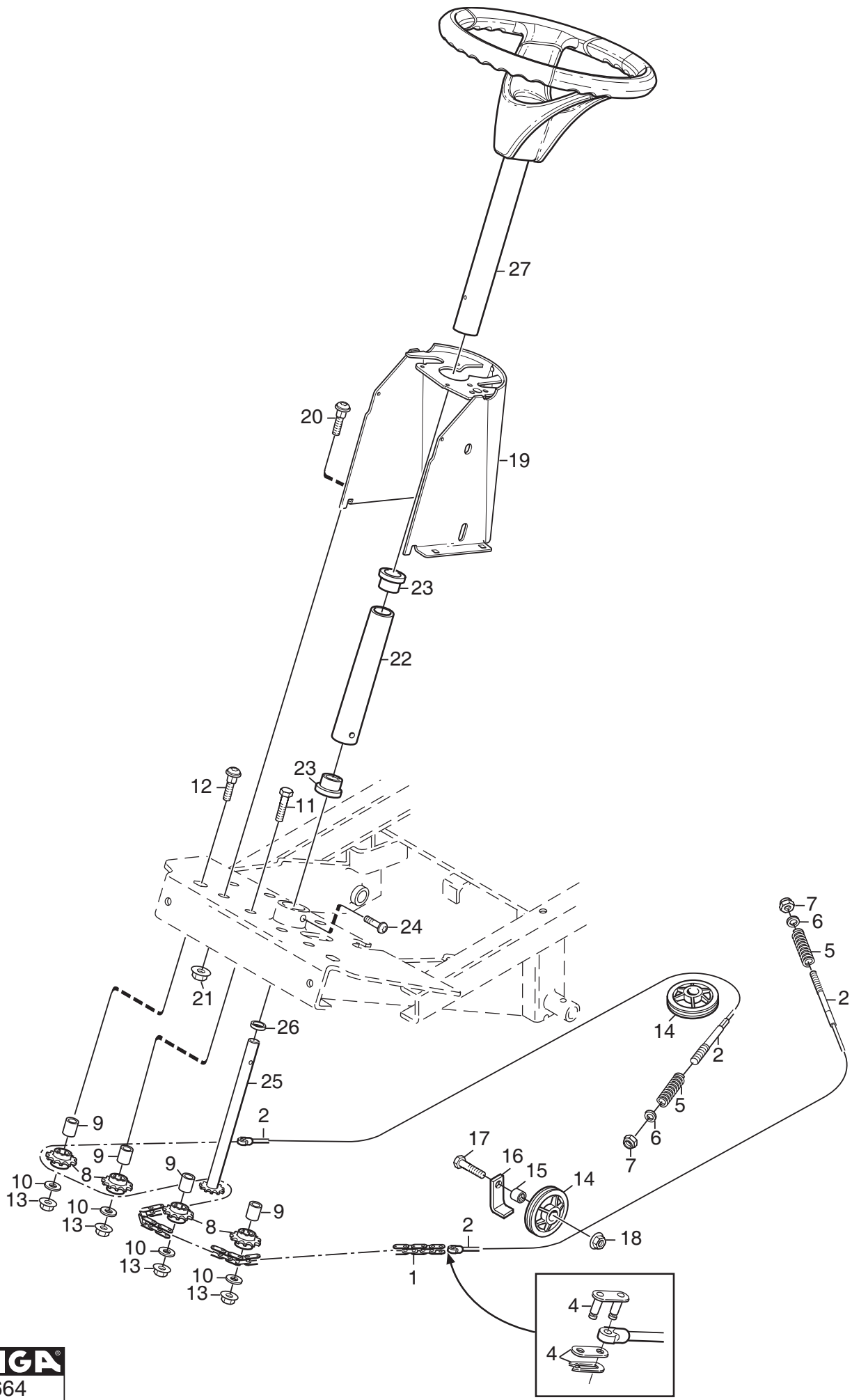
Utgåva Issue		Bildnr Picture No		PARK COMPACT 4WD RAM		PARK COMPACT 4WD FRAME		Sida Page	
2008- 11		2024A						8	
Pos. Fig.	Antal/Quantity				Art nr Part No	Benämning	Description	Sats Kit	Anmärkning Notes
	6104								
X	1	1			1134-5656-02	Ram- främre	Frame- front		
	2	1			1134-3963-02	• Midjegaffel	• Clevis		
	3	1			1134-0031-00	• Ledaxelstopp	• Pivot shaft stop		
	4	1			9595-0262-00	• Spännstift	• Locating pin		
	5	2			9501-0500-00	• Smörjnippel	• Grease joint		
	7	1			1134-6466-01	Ram- bakre	Frame- rear		
	8	1			1134-5705-01	• Distans	• Spacer		
	9	2			9547-0001-00	• Ledlager	• Bearing		
	10	2			9501-0500-00	• Smörjnippel	• Grease joint		
	11	1			1134-5988-01	Centrumaxel	Centre shaft		
	13	2			9699-0035-02	Planbricka	Flat washer		
	14	2			9959-1025-16	Skruv	Screw		
	16	1			1134-6586-01	Durk	Floor plate		
	17	1			1134-6372-04	Durkmatta	Floor mat		
	18	2			9893-0616-16	Skruv	Screw		
	19	2			9403-0048-70	Täckpropp	Plug		
	20	2			9945-0816-16	Skruv	Screw		
	21	2			9959-0820-16	Skruv	Screw		
	22	2			9739-0831-22	Mutter	Nut		
	31	1			1134-5337-02	Stötfångare- bak, grå	Bumper- rear, grey		
	32	2			1134-0240-00	Ansatsskruv	Shoulder screw		
	33	2			1134-4242-01	Distansbricka	Spacer washer		
	34	2			9665-0002-00	Brickfjäder	Bowed washer		
	35	2			9747-0831-02	Mutter	Lock nut		
	36	2			9943-0516-16	Skruv	Screw		
	37	2			1134-5345-01	Stag	Attachment		
	38	1			1134-5344-01	Batterihylla	Battery shelf		
	39	4			9945-0816-16	Skruv	Screw		



Utgåva Issue		Bildnr Picture No		PARK COMPACT PEDALLYFT		PARK COMPACT PEDAL LIFT		Sida Page	
2008- 11		1656A						10	
Pos. Fig.	Antal/Quantity			Art nr Part No	Benämning	Description	Sats Kit	Anmärkning Notes	
	6101	6102 6103 6104							
1A	1			1134-5462-01	Fäste	Bracket			
1B		1		1134-4117-01	Fäste	Bracket			
2	2	2		1134-2684-01	Lager	Bearing			
3	1	1		1134-4945-01	Lyftspärr kpl	Lift catch assy			
7	1	1		9404-0027-01	• O-ring	• O-ring			
8	1	1		9650-0039-04	• Seegersäkring	• Lock ring			
9	1	1		9595-0276-01	• Spännstift	• Locating pin			
10	1	1		9997-0640-12	• Skruv	• Screw			
11	1	1		9747-0631-02	• Låsmutter	• Lock nut			
13	1	1		9897-0820-16	• Skruv	• Screw			
14	1	1		9747-0831-02	Mutter	Lock nut			
15	1	1		1134-4860-01	Lyftgaffel	Lift fork			
16	2	2		1134-0240-00	Ansattsskruv	Shoulder screw			
17	1	1		1134-4938-01	Lyftpedal	Lift pedal			
18	2	2		9997-0625-16	Skruv	Screw			
19	2	2		9739-0631-22	Mutter	Nut			
20	1	1		4231-0013-00	Fjäder	Spring			

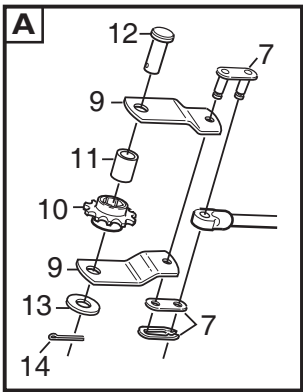
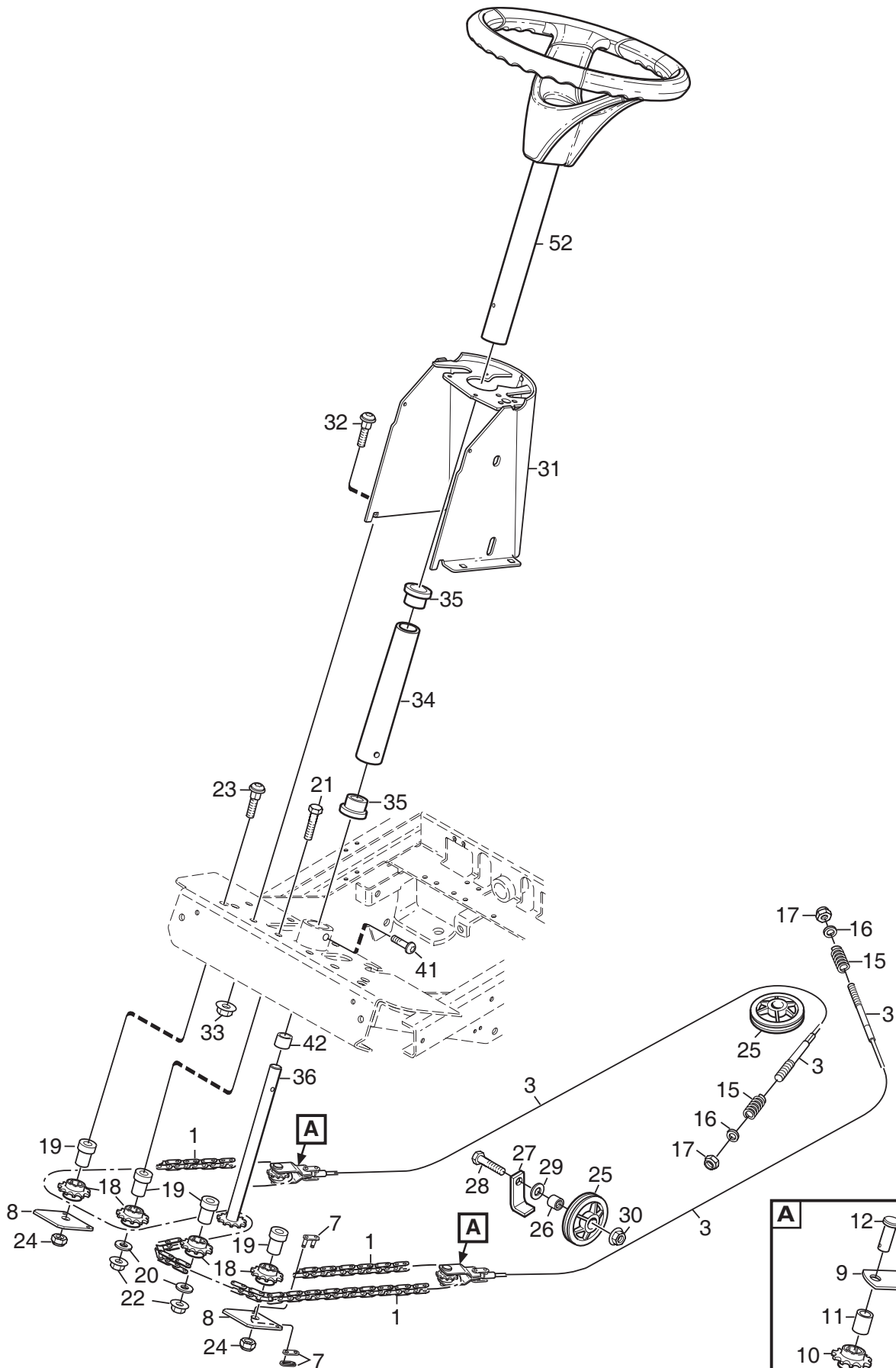


Utgåva Issue		Bildnr Picture No		PARK COMPACT SITS		PARK COMPACT SEAT		Sida Page	
2008- 11		1657A						12	
Pos. Fig.	Antal/Quantity				Art nr Part No	Benämning	Description	Sats Kit	Anmärkning Notes
	6101 6102	6103 6104							
1	1				1134-5506-01 Sits	Seat			
2		1			1134-6444-01 Sits	Seat			
3	1	1			1134-5301-01 Sitsplatta	Seat plate			
4	2	2			1134-0240-00 Ansatsskruv	Shoulder screw			
5	2	2			9747-0831-02 Mutter	Lock nut			
6	1	1			1134-5454-01 Spärr	Catch			
7	1	1			9675-0012-02 Starlock	Locking washer			
10	4	4			9893-0616-16 Skruv	Screw			
11	1	1			1134-5300-01 Bakstycke	Rear plate			
12	1	1			1134-5296-04 Sitskonsol- gul	Seat bracket- yellow			
13	1	1			1134-4256-01 Sitsfjäder	Seat spring			
14	1	1			9924-1235-19 Skruv	Screw			
15	1	1			9747-1231-02 Låsmutter	Lock nut			
16	1	1			9997-0840-16 Skruv	Screw			
17	1	1			1134-1565-06 Distans	Spacer			
18	1	1			1134-5302-01 Fjäder	Spring			
19	1	1			1134-5299-01 Tryckplatta	Push plate			
20	1	1			9699-0090-02 Planbricka	Flat washer			
21	1	1			9747-0831-02 Mutter	Lock nut			
22	1	1			1134-3156-02 Brytare (grå)	Switch (grey)			
26	2	2			9897-0880-12 Skruv	Screw			L = 80 mm
27	2	2			1134-1565-08 Distans	Spacer			
28	4	4			9897-0820-16 Skruv	Screw			L = 20 mm
29	6	6			9747-0831-02 Mutter	Lock nut			



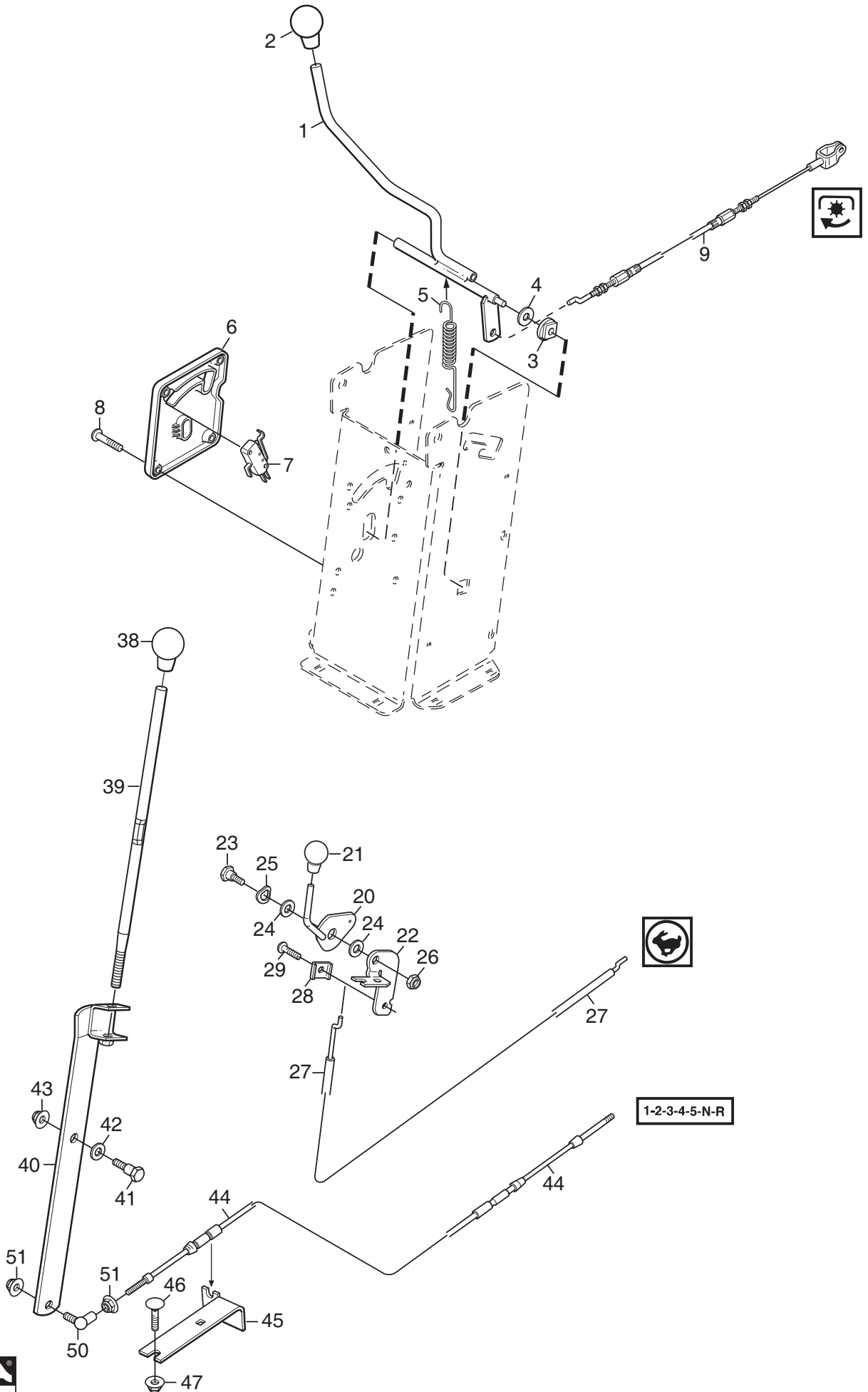
Utgåva Issue		Bildnr Picture No		PARK COMPACT 2WD STYRNING		PARK COMPACT 2WD STEERING		Sida Page	
2008- 11		1664						14	
Pos. Fig.	Antal/Quantity				Art nr Part No	Benämning	Description	Sats Kit	Anmärkning Notes
	6101	6102	6103						
1	1				1134-6374-06 Kedja	Chain.....		83 länk Sats vä+hö/kit L+R	
2	1				1134-9084-01 Styrwire kpl (vä+hö)	Steering cable assy			
4	2				1134-2824-02 Kedjelås	Chain lock			
5	2				1134-3817-01 Tryckfjäder	Compression spring.....			
6	2				9699-0090-02 Planbricka.....	Flat washer.....			
7	2				9747-0831-02 Mutter.....	Lock nut.....			
8	4				1134-2816-01 Kedjehjul.....	Sprocket.....			
9	4				1134-0041-02 Linhjulshylsa	Idler wheel bush.....			
10	4				9699-0035-02 Planbricka.....	Flat washer.....			
11	2				9997-1050-16 Skruv	Screw.....			
12	2				9897-1040-12 Skruv	Screw.....			
13	4				9739-1031-22 Mutter.....	Nut.....			
14	2				1134-9025-01 Linhjul-sats	Steering pulley- kit	Sats 2 st/kit of 2		
15	2				1134-0041-01 Linhjulshylsa	Bushing.....			
16	2				1134-0046-00 Linhållare.....	Wire clamp.....			
17	2				9997-1030-16 Skruv	Screw.....			
18	2				9739-1031-22 Mutter.....	Nut.....			
19	1				1134-5349-01 Styrkonsol- gul	Steering console- yel.....			
20	4				9897-0820-16 Skruv	Screw.....			
21	4				9739-0831-22 Mutter.....	Nut.....			
22	1				1134-1305-05 Rattrör- nedre	Steering column- lower			
23	2				1134-1901-01 Lager	Bearing.....			
24	2				9893-0616-16 Skruv	Screw.....			
25	1				1134-2821-03 Rattstång	Steering rod			
26	1				1134-2837-01 Distans	Spacer.....			
27	1				1134-5496-01 Ratt.....	Steering wheel			

X

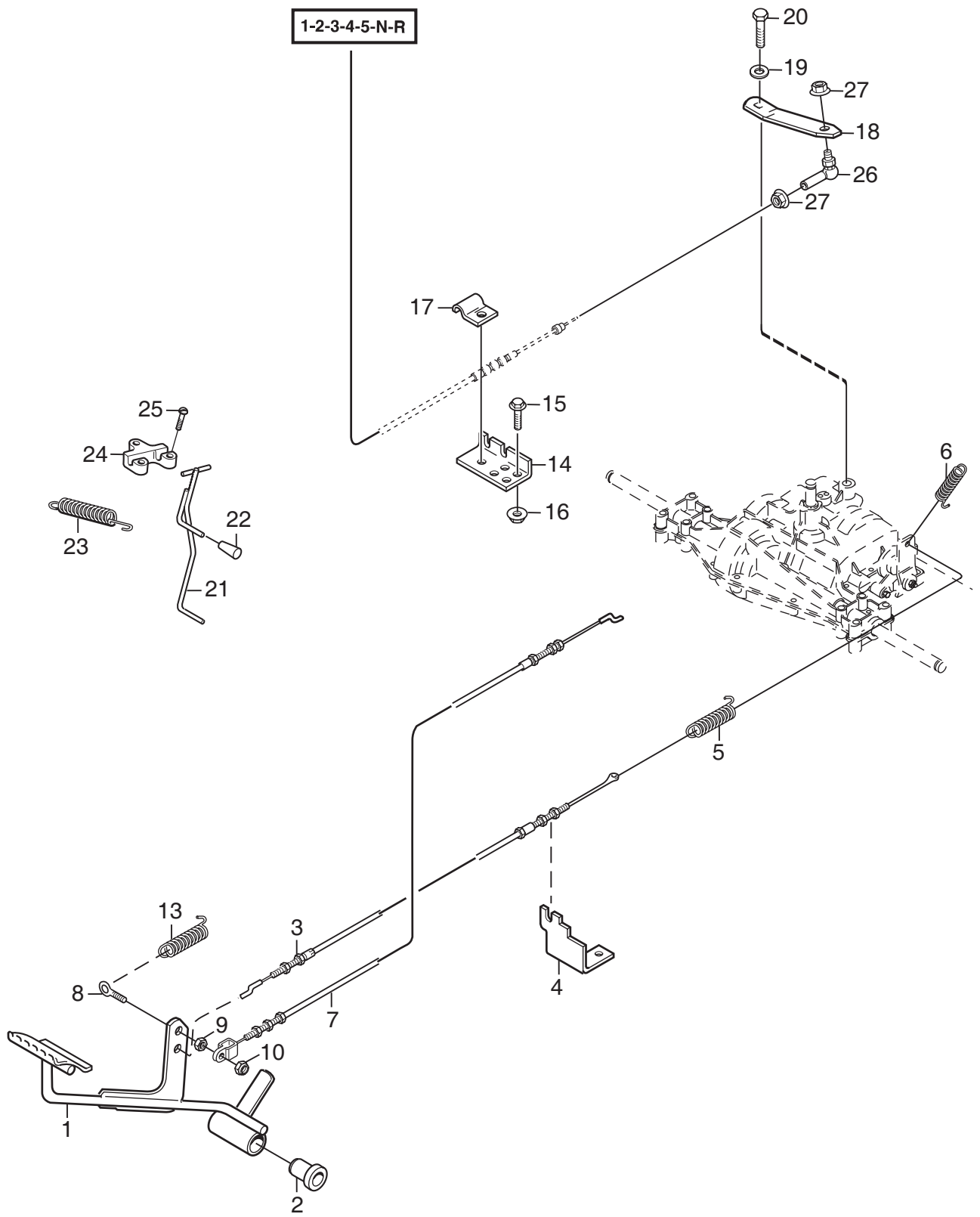


Utgåva Issue		Bildnr Picture No		PARK COMPACT 4WD STYRNING		PARK COMPACT 4WD STEERING		Sida Page	
2008- 11		2025						16	
Pos. Fig.	Antal/Quantity				Art nr Part No	Benämning	Description	Sats Kit	Anmärkning Notes
	6104								
1	1				1134- 6374- 10	Kedja	Chain.....		129 länk Sats vä+hö/kit L+R
3	1				1134- 9099- 01	Styrwire kpl (vä+hö)	Steering cable assy		
7	4				1134- 2824- 02	Kedjelås	Chain lock		
8	2				1134- 5652- 01	Fäste	Attachment.....		
9	4				1134- 5651- 01	Bygel	Bracket.....		
10	2				1134- 2816- 01	Kedjehjul.....	Sprocket.....		
11	2				1134- 0041- 02	Linhjulshylsa	Idler wheel bush.....		
12	2				1134- 4817- 01	Kolvstängssprint.....	Pin		
13	2				9699- 0035- 02	Planbricka.....	Flat washer.....		
14	2				9599- 0054- 02	Saxpinne.....	Cotter pin		
15	2				1134- 3817- 01	Tryckfjäder.....	Compression spring.....		
16	2				9699- 0090- 02	Planbricka.....	Flat washer.....		
17	2				9747- 0831- 02	Mutter	Lock nut		
18	4				1134- 2816- 01	Kedjehjul.....	Sprocket.....		
19	4				1134- 5653- 01	Distans	Spacer.....		
20	2				9699- 0035- 02	Planbricka.....	Flat washer.....		
21	2				9997- 1060- 12	Skruv	Screw.....		
22	2				9739- 1031- 22	Mutter.....	Nut		
23	2				9897- 1060- 12	Skruv	Screw.....		
24	2				9731- 1031- 22	Mutter.....	Nut		
25	2				1134- 9025- 01	Linhjul- sats	Steering pulley- kit	Sats 2 st/kit of 2	
26	2				1134- 0041- 01	Linhjulshylsa	Bushing.....		
27	2				1134- 0046- 00	Linhållare.....	Wire clamp.....		
28	2				9997- 1040- 16	Skruv	Screw.....		
29	2				9699- 0035- 02	Planbricka.....	Flat washer.....		
30	2				9739- 1031- 22	Mutter.....	Nut		
31	1				1134- 5349- 01	Styrkonsol- gul	Steering console- yel.....		
32	4				9897- 0820- 16	Skruv	Screw.....		
33	4				9739- 0831- 22	Mutter.....	Nut		
34	1				1134- 1305- 05	Rattrör- nedre	Steering column- lower		
35	2				1134- 1901- 01	Lager	Bearing.....		
36	1				1134- 2821- 05	Rattstång	Steering rod		
41	2				9893- 0616- 16	Skruv	Screw.....		
42	1				1134- 2837- 03	Distans	Spacer.....		
52	1				1134- 5496- 01	Ratt.....	Steering wheel		

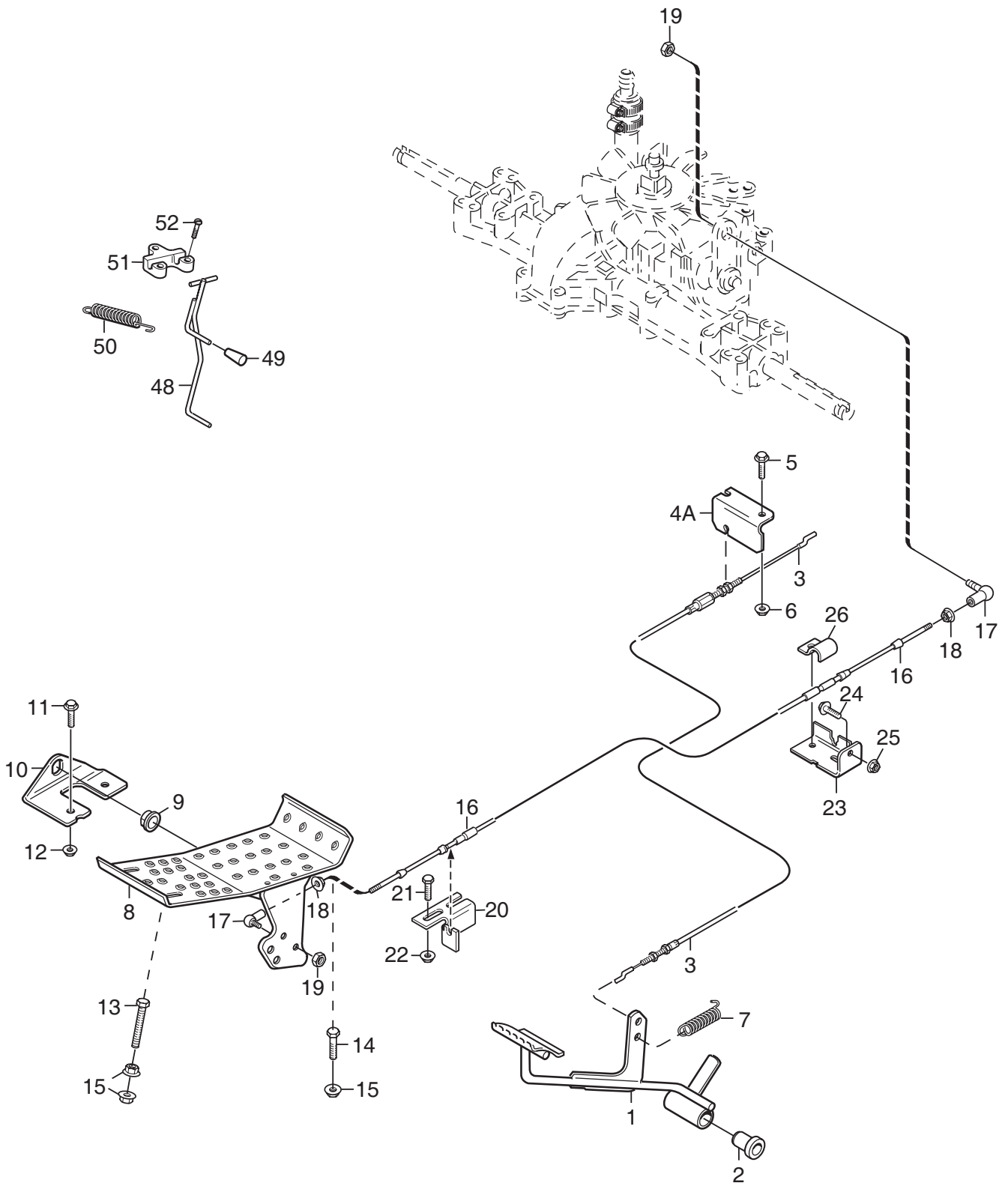
X



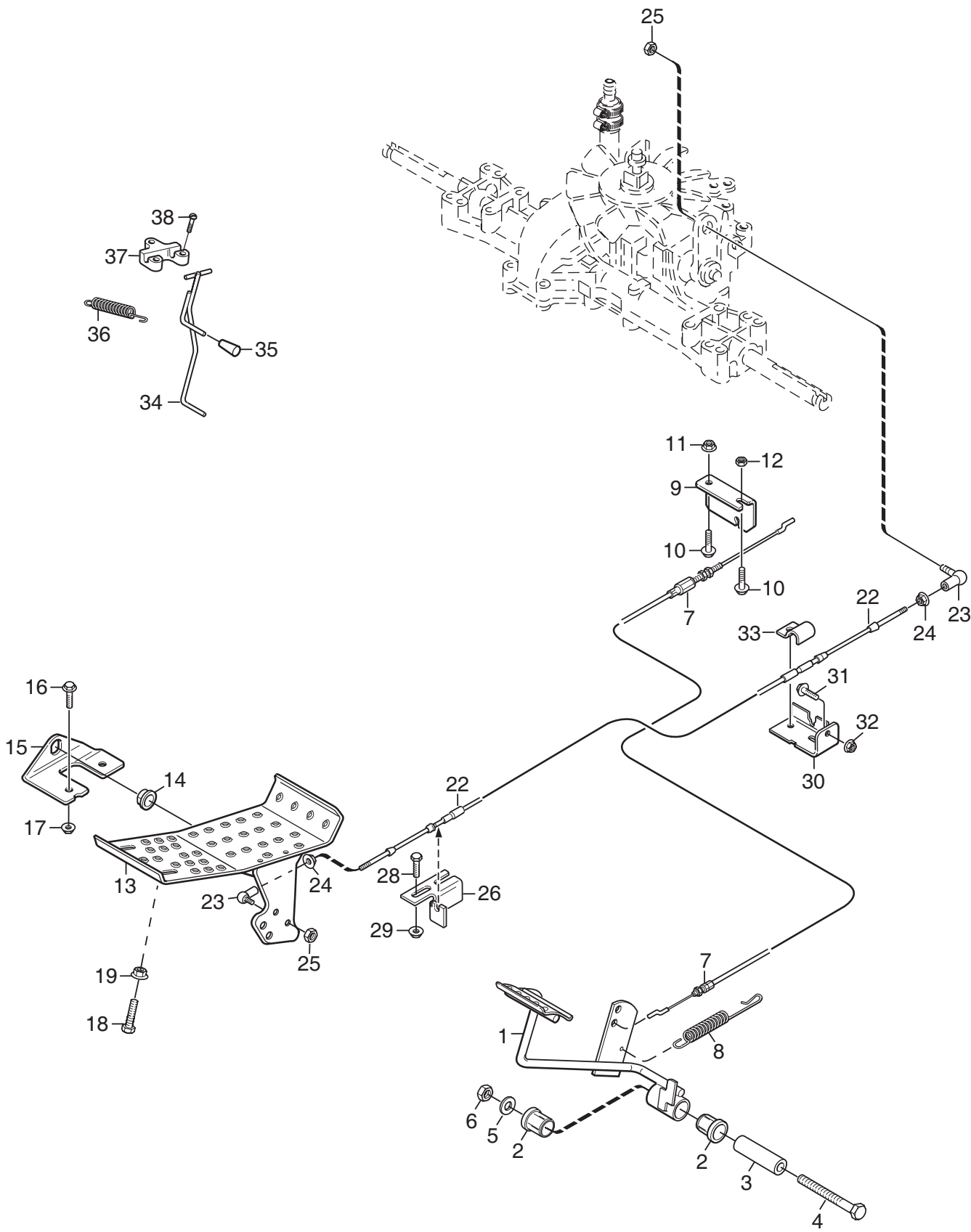
Utgåva Issue		Bildnr Picture No		PARK COMPACT HANDREGLAGE		PARK COMPACT HAND CONTROLS		Sida Page	
2008- 11		1670A						18	
Pos. Fig.	Antal/Quantity			Art nr Part No	Benämning	Description	Sats Kit	Anmärkning Notes	
	6101	6102 6103 6104							
1	1	1		1134- 6301- 01	Aggregatsspak.....	Engagement lever			
2	1	1		1134- 2551- 01	Reglageknopp.....	Knob			
3	1	1		1134- 3790- 02	Lager	Bearing.....			
4	1	1		9699- 0090- 02	Planbricka.....	Flat washer.....			
5	1	1		4231- 0013- 00	Fjäder.....	Spring			
6	1	1		1134- 5368- 01	Panel	Dashboard			
7	1	1		9400- 0312- 01	Mikrobrytare.....	Micro switch			
8	4	4		9946- 0525- 16	Skruv	Screw			
9	1	1		1134- 3573- 05	Reglagewire.....	Control cable.....			
20	1	1		1134- 5465- 01	Gasreglage.....	Throttle lever.....			
21	1	1		1134- 4078- 01	Knopp	Knob			
22	1	1		1134- 5464- 01	Fäste	Bracket.....			
23	1	1		1134- 0240- 00	Ansatssskruv.....	Shoulder screw			
24	2	2		1134- 4242- 01	Distansbricka.....	Spacer washer			
25	1	1		9694- 0001- 00	Fjäderbricka	Washer.....			
26	1	1		9747- 0831- 02	Mutter.....	Lock nut.....			
27	1	1		1134- 4197- 03	Gaswire	Throttle cable			
28	1	1		9500- 9991- 00	Wireklämma	Cable clamp			
29	1	1		9943- 0516- 16	Skruv	Screw			
38	1			1134- 2551- 01	Reglageknopp.....	Knob			
39	1			1134- 5482- 01	Växelspak	Gear shift lever.....			
40	1			1134- 5459- 01	Växelarm	Gear shift arm			
41	1			1134- 0240- 00	Ansatssskruv.....	Shoulder screw			
42	1			9696- 0013- 01	Kupad bricka.....	Bowed washer.....			
43	1			9739- 0831- 22	Mutter.....	Nut			
44	1			1134- 2766- 07	Reglagewire.....	Control cable.....			
45	1			1134- 5518- 01	Vinkelarm	Angle bracket			
46	2			9897- 0616- 16	Vagnsbult	Carriage bolt			
47	2			9739- 0631- 22	Mutter.....	Nut			
50	1			9570- 0001- 00	Vinkellänk	Elbow link			
51	2			9739- 0531- 22	Mutter.....	Nut			



Utgåva Issue		Bildnr Picture No		PARK COMPACT 2WD FOTREGLAGE		PARK COMPACT 2WD FOOT CONTROLS		Sida Page	
2008- 11		1665						20	
Pos. Fig.	Antal/Quantity				Art nr Part No	Benämning	Description	Sats Kit	Anmärkning Notes
	6101								
1	1				1134-4247-01	Broms/kopplingspedal.....	Brake/clutch pedal.....		Sats 4 st/kit of 4
2	1				1134-9024-01	• Lager	• Bearing.....		
3	1				1134-3410-02	Bromswire	Brake cable		
4	1				1134-3403-01	Wirefäste	Wire holder		
5	1				1134-3280-01	Fjäder.....	Spring		
6	1				1134-3974-02	Fjäder.....	Spring		
7	1				1134-4058-01	Wire.....	Cable		
8	1				1134-2991-01	Skruvögla	Eye bolt		
9	1				9739-0531-22	Mutter.....	Nut		
10	1				9747-0531-02	Mutter.....	Nut		
13	1				1134-3974-01	Fjäder.....	Spring		
14	1				1134-3400-01	Vinkelarm	Angle plate		
15	2				9959-0820-16	Skruv.....	Screw.....		
16	2				9739-0831-22	Mutter.....	Nut		
17	1				1134-2021-01	Växelwirefäste	Clamp.....		
18	1				1134-4048-02	Växelarm	Gear shifter arm.....		
19	1				9699-0060-02	Planbricka.....	Flat washer.....		
20	1				9987-5016-16	Skruv.....	Screw.....		
21	1				1134-5353-01	Bromsstång	Brake rod		
22	1				1134-2786-01	Plastknopp.....	Plastic knob		
23	1				1131-1497-01	Fjäder.....	Spring		
24	1				1134-4002-01	Fäste.....	Brake rod attachment.....		
25	3				9838-9516-12	Skruv.....	Screw		
26	1				9570-0001-00	Vinkellänk	Elbow link		
27	2				9739-0531-22	Mutter.....	Nut		

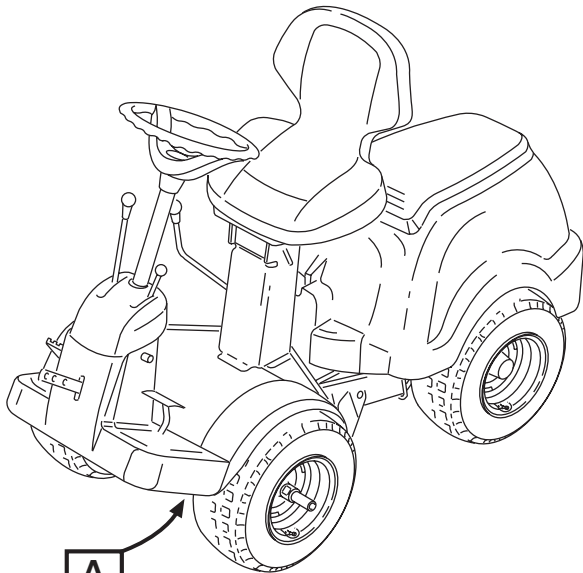


Utgåva Issue		Bildnr Picture No		PARK COMPACT HST 2WD FOTREGLAGE		PARK COMPACT HST 2WD FOOT CONTROLS		Sida Page	
2008- 11		1666A						22	
Pos. Fig.	Antal/Quantity				Art nr Part No	Benämning	Description	Sats Kit	Anmärkning Notes
	6102 6103								
X	1	1			1134-4247-01	Broms/kopplingspedal.....	Brake/clutch pedal.....	Sats 4 st/kit of 4	
	2	1			1134-9024-01	• Lager	• Bearing		
	3	1			1134-3584-03	Broms/kopplingswire.....	Brake/clutch cable		
	4A	1			1134-6467-01	Wirefäste	Cable holder		
	5	2			9959-0820-16	Skruv	Screw		
	6	2			9739-0831-22	Mutter.....	Nut		
	7	1			1134-3974-01	Fjäder.....	Spring		
	8	1			1134-6353-01	Drivpedal	Drive pedal		
	9	2			1134-6313-01	Lager	Bearing.....		
	10	2			1134-2700-01	Fäste	Bracket		
	11	2			9959-0820-16	Skruv	Screw		
	12	2			9739-0831-22	Mutter.....	Nut		
	13	1			9997-0870-16	Skruv	Screw		
	14	1			9959-0820-16	Skruv	Screw		
	15	3			9739-0831-22	Mutter.....	Nut		
	16	1			1134-2766-05	Reglagewire.....	Speed control cable		
	17	2			9570-0001-00	Vinkellänk	Elbow link		
	18	2			9739-0531-22	Mutter.....	Nut		
	19	2			9747-0531-02	Mutter.....	Nut		
	20	1			1134-6317-01	Wirefäste	Cable holder		
	21	2			9959-0620-16	Skruv	Screw		
	22	2			9739-0631-22	Mutter.....	Nut		
	23	1			1134-3395-01	Fäste	Attachment.....		
	24	2			9959-0820-16	Skruv	Screw		
	25	2			9739-0831-22	Mutter.....	Nut		
	26	1			1134-2021-01	Växelwirefäste	Clamp.....		
	48	1			1134-5353-01	Bromsstång	Brake rod		
	49	1			1134-2786-01	Plastknopp.....	Plastic knob		
	50	1			1131-1497-01	Fjäder.....	Spring		
	51	1			1134-4002-01	Fäste	Brake rod attachment.....		
	52	3			9838-9516-12	Skruv	Screw		

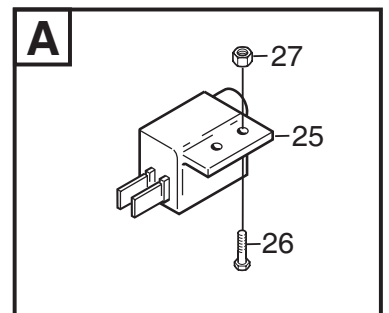
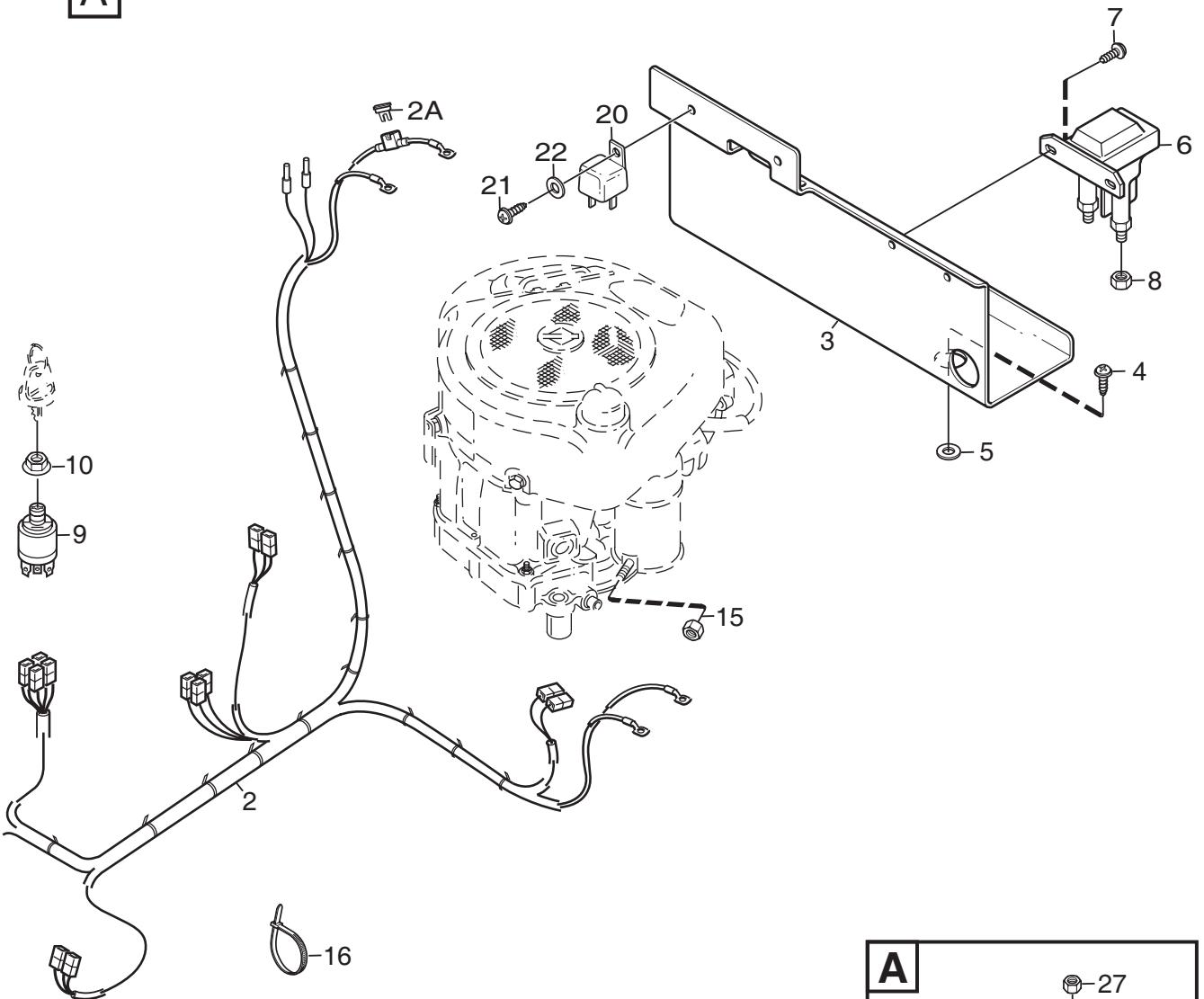
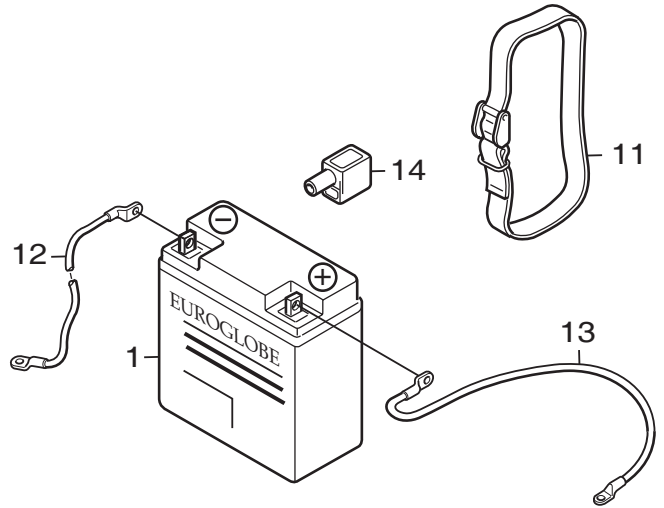


Utgåva Issue		Bildnr Picture No		PARK COMPACT 4WD FOTREGLAGE		PARK COMPACT 4WD FOOT CONTROLS		Sida Page	
2008- 11		2026A						24	
Pos. Fig.	Antal/Quantity				Art nr Part No	Benämning	Description	Sats Kit	Anmärkning Notes
	6104								
1	1				1134-5655-01	Broms/kopplingspedal.....	Brake/clutch pedal.....		Sats 4 st/kit of 4
2	1				1134-9024-01	Lager.....	Bearing.....		
3	1				1134-5677-02	Distans.....	Spacer.....		
4	1				9997-1070-12	Skruv.....	Screw.....		
5	1				9699-0030-02	Planbricka.....	Flat washer.....		
6	1				9739-1031-22	Mutter.....	Nut.....		
7	1				1134-6005-01	Wire.....	Cable.....		
8	1				4231-0013-00	Fjäder.....	Spring.....		
9	1				1134-6467-01	Wirefäste.....	Cable holder.....		
10	2				9959-0820-16	Skruv.....	Screw.....		
11	1				9739-0831-22	Mutter.....	Nut.....		
12	1				9747-0831-02	Mutter.....	Lock nut.....		
13	1				1134-6353-01	Drivpedal.....	Drive pedal.....		
14	2				1134-6313-01	Lager.....	Bearing.....		
15	2				1134-2700-01	Fäste.....	Bracket.....		
16	2				9959-0820-16	Skruv.....	Screw.....		
17	2				9739-0831-22	Mutter.....	Nut.....		
18	1				9997-0835-16	Skruv.....	Screw.....		
19	1				9739-0831-22	Mutter.....	Nut.....		
22	1				1134-2766-05	Reglagewire.....	Speed control cable.....		
23	2				9570-0001-00	Vinkellänk.....	Elbow link.....		
24	2				9739-0531-22	Mutter.....	Nut.....		
25	2				9747-0531-02	Mutter.....	Nut.....		
26	1				1134-6317-01	Wirefäste.....	Cable holder.....		
28	2				9959-0620-16	Skruv.....	Screw.....		
29	2				9739-0631-22	Mutter.....	Nut.....		
30	1				1134-3395-01	Fäste.....	Attachment.....		
31	2				9959-0820-16	Skruv.....	Screw.....		
32	2				9739-0831-22	Mutter.....	Nut.....		
33	1				1134-2021-01	Växelwirefäste.....	Clamp.....		
34	1				1134-5353-01	Bromsstång.....	Brake rod.....		
35	1				1134-2786-01	Plastknopp.....	Plastic knob.....		
36	1				1131-1497-01	Fjäder.....	Spring.....		
37	1				1134-4002-01	Fäste.....	Brake rod attachment.....		
38	3				9838-9516-12	Skruv.....	Screw.....		

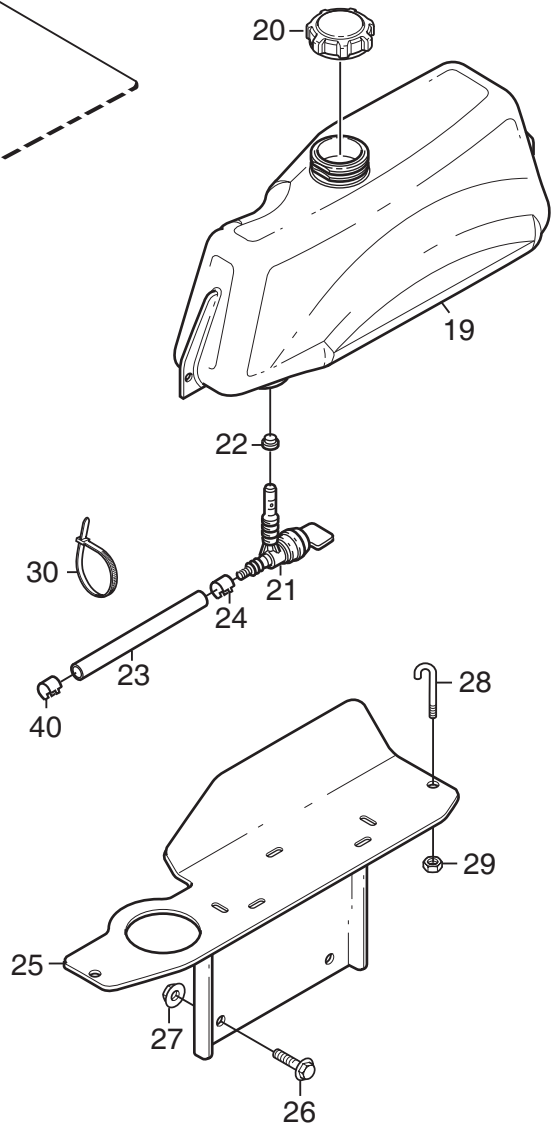
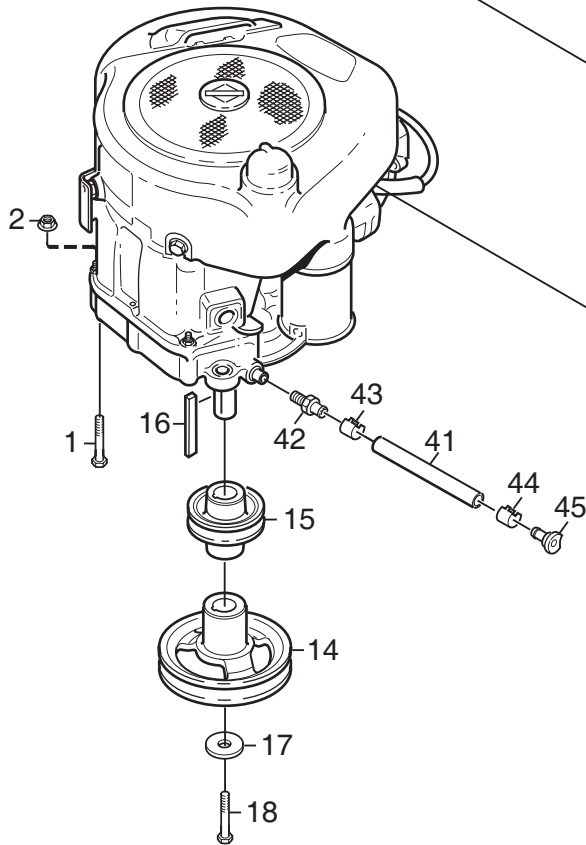
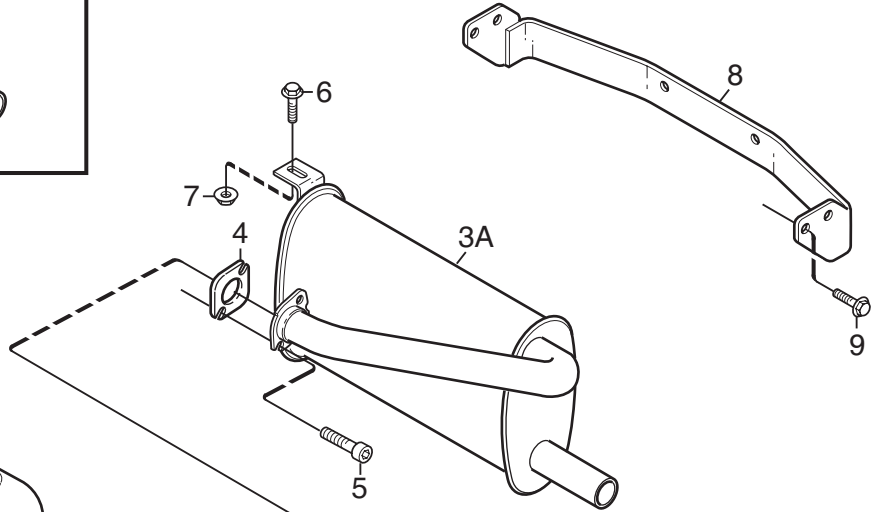
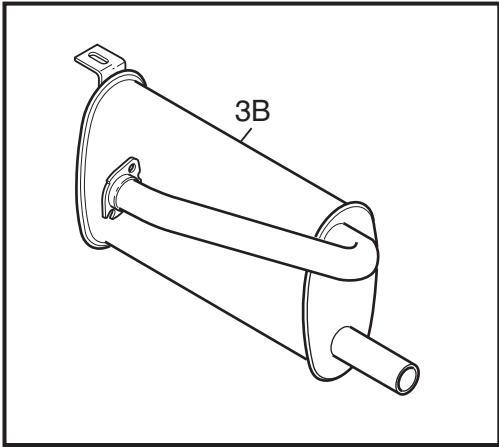
X



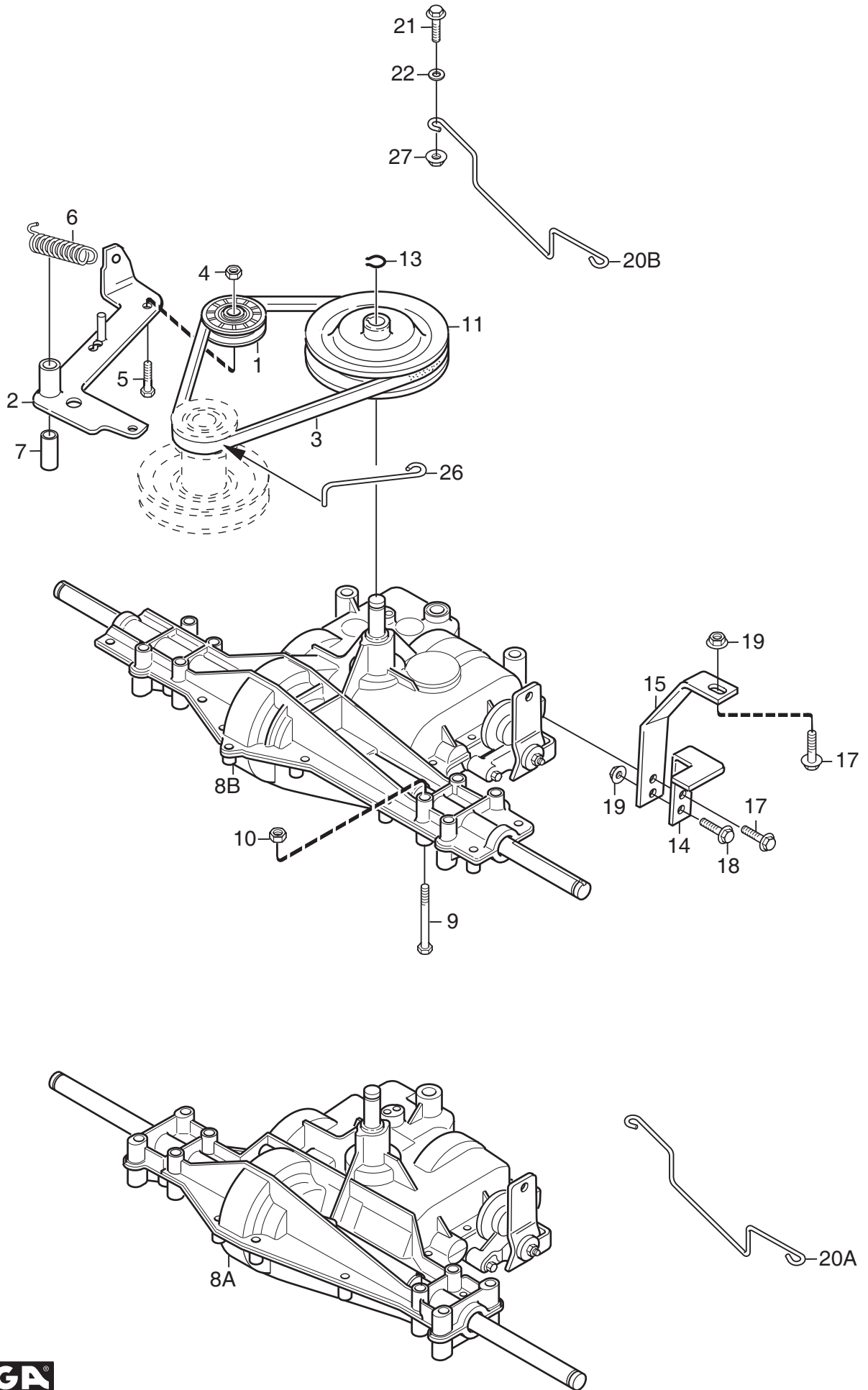
A



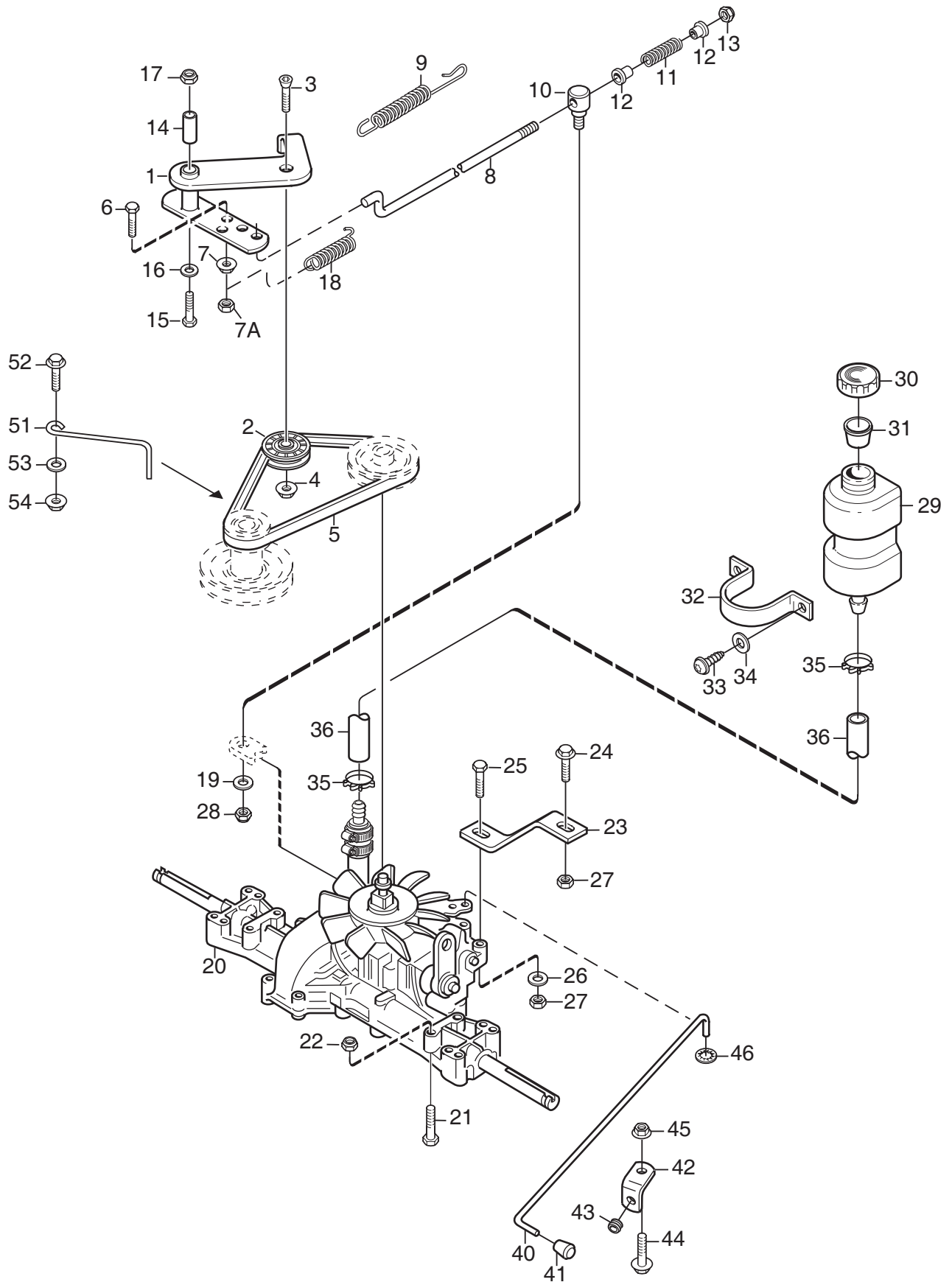
Utgåva Issue		Bildnr Picture No		PARK COMPACT ELUTRUSTNING		PARK COMPACT EL. EQUIPMENT		Sida Page	
2008- 11		1671A						26	
Pos. Fig.	Antal/Quantity			Art nr Part No	Benämning	Description	Sats Kit	Anmärkning Notes	
	6101	6102 6103	6104						
1	1	1	1	1134-4804-01	Batteri.....	Battery		20A	
2	1			1134-5768-01	Kablage.....	Harness.....			
2		1	1	1134-5769-01	Kablage.....	Harness.....			
2A	1	1	1	1134-3496-06	• Säkring	• Fuse			
3	1	1	1	1134-5343-01	Batterikonsol	Battery bracket.....			
4	3	3	3	9852-8013-16	Skruv	Screw.....			
5	2	2	2	9699-0060-02	Planbricka.....	Flat washer.....			
6	1	1	1	1134-2962-01	Solenoid kpl	Solenoid assy.....			
7	2	2	2	9852-8013-16	Skruv	Screw.....			
8	2	2	2	9794-5131-02	• Mutter.....	• Nut.....			
9	1	1	1	1134-4093-01	Tändningslås	Ignition switch			
10	1	1	1	1134-4749-01	Mutter.....	Nut.....			
11	1	1	1	1134-5245-01	Batterirem.....	Battery strap			
12	1	1	1	1134-2167-01	Kabel	Cable			
13	1	1	1	1134-0234-02	Batterikabel (+).....	Battery cable (+).....			
14	1	1	1	1134-2310-01	Batteriskydd.....	Guard cap			
15	1	1	1	9795-3531-02	Mutter.....	Nut.....			
16	15	15	15	9579-0003-00	Buntband	Cable holder			
20	1			1134-2871-03	Relä	Relay			
21	1			9852-8013-16	Skruv	Screw.....			
22	1			9699-0099-02	Bricka	Washer.....			
25		1	1	1134-3399-02	Brytare.....	Switch.....			
26			2	9943-0516-16	Skruv	Screw.....			
26		2		9997-0520-16	Skruv	Screw.....			
27		2		9747-0531-02	Mutter.....	Nut.....			

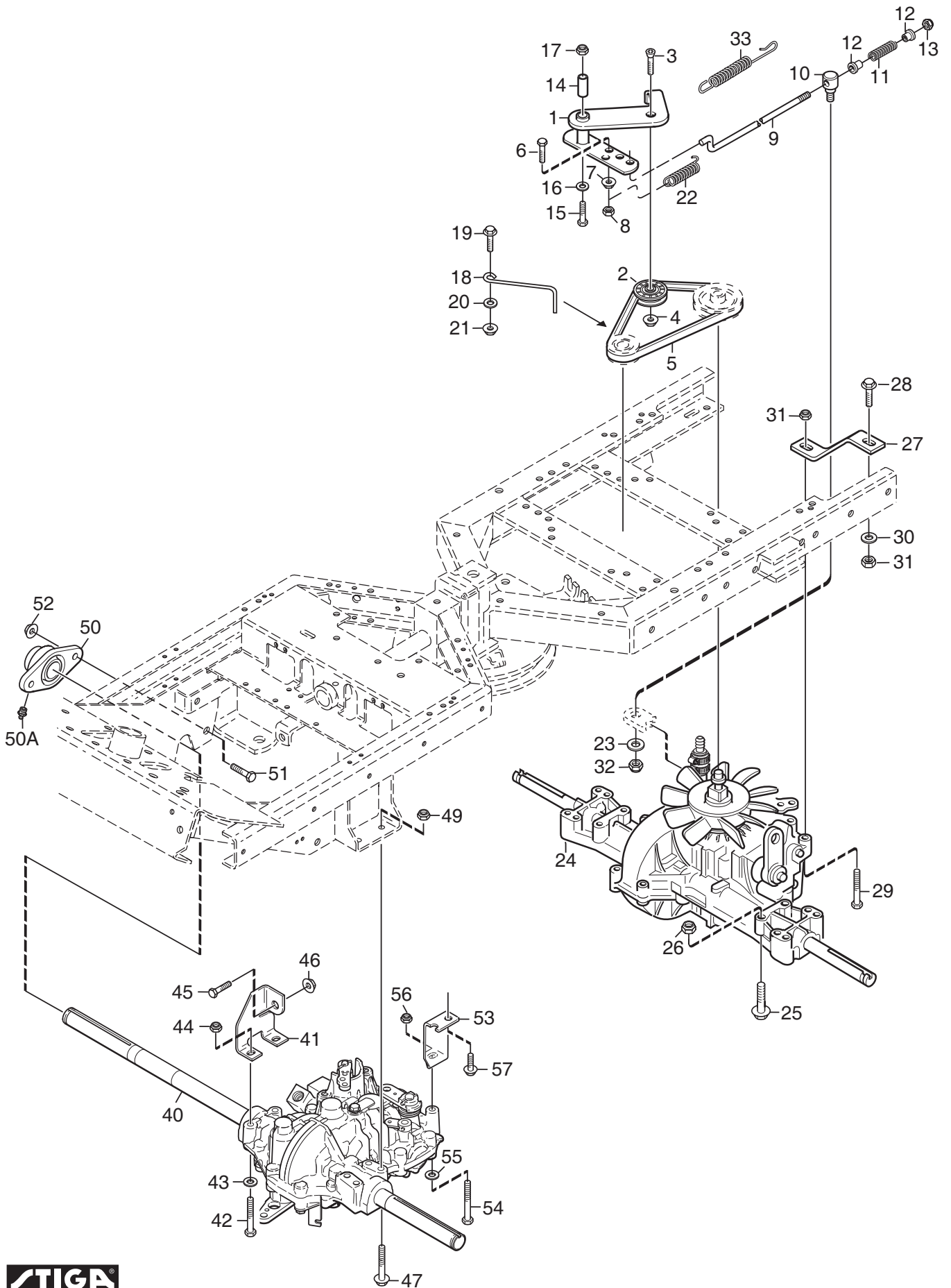


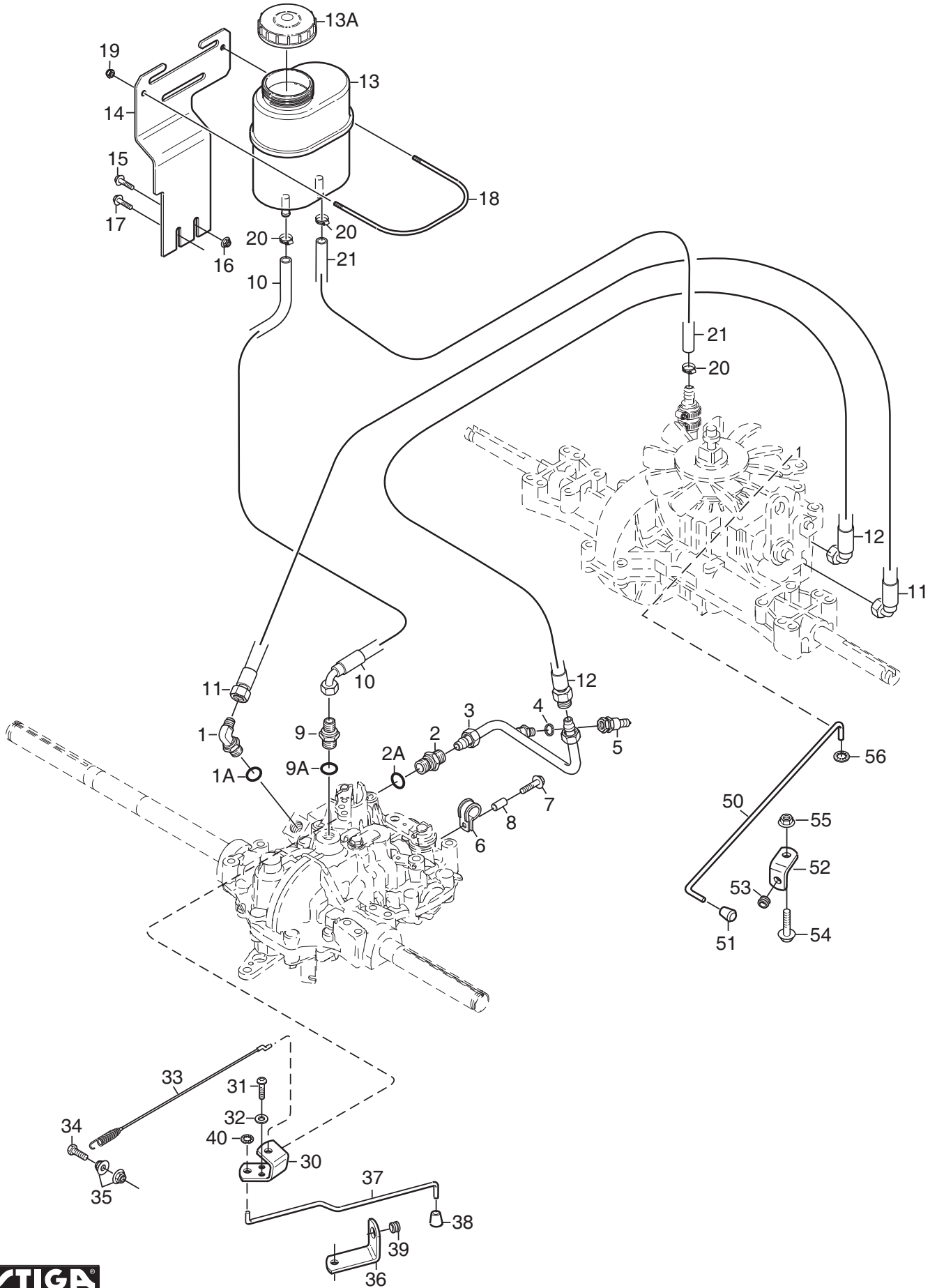
Utgåva Issue		Bildnr Picture No		PARK COMPACT MOTOR		PARK COMPACT ENGINE		Sida Page	
2008- 11		1672C						28	
Pos. Fig.	Antal/Quantity				Art nr Part No	Benämning	Description	Sats Kit	Anmärkning Notes
	6101	6102	6103	6104					
1	3	4	4	4	9955-3725-16	Skruv	Screw	3/8" UNC x 25 mm M8 x 80 mm	
1	1				9997-0880-16	Skruv	Screw		
2	1				9739-0831-22	Mutter	Nut	L = 2 1/2"	
3A	1	1			1134-5370-01	Ljuddämpare	Muffler		
3B			1	1	1134-5369-01	Ljuddämpare	Muffler	L = 520 mm L = 350 mm	
4	1	1	1	1	1134-0433-00	Ljuddämparpackning	Muffler gasket		
5	2	2	2	2	1134-4930-01	Skruv	Screw	Pos 42- 45 incl.	
6	1	1	1	1	9959-0820-16	Skruv	Screw		
7	1	1	1	1	9739-0831-22	Mutter	Nut		
8	1	1	1	1	1134-5390-01	Dragkroksbalk	Tow bar bracket		
9	4	4	4	4	9945-0816-16	Skruv	Screw		
14	1	1	1	1	1134-6419-01	Motorremskiva	Engine pulley		
15	1	1	1	1	1134-6137-01	Motorremskiva	Engine pulley		
16	1	1	1	1	9600-0251-01	Kil	Key		
17	1	1	1	1	1134-5017-01	Bricka	Washer		
18	1	1	1	1	9987-5332-16	Skruv	Screw		
X 19	1	1	1	1	1134-6618-01	Bränsletank	Fuel tank		
20	1	1	1	1	1134-5532-01	Tanklock	Fuel tank cap		
21	1	1	1	1	1134-3224-01	Bensinkran	Fuel shut-off valve		
22	1	1	1	1	1134-3225-01	Gummibussning	Grommet		
23	1	1	1		1134-2975-01	Bensinslang	Fuel hose		
				1	1134-2975-07	Bensinslang	Fuel hose		
24	1	1	1	1	9578-0023-02	Slangklämma	Hose clamp		
X 25	1	1	1	1	1134-6627-01	Tankkonsol	Fuel tank bracket		
26	2	2	2	2	9959-0820-16	Skruv	Screw		
27	2	2	2	2	9739-0831-22	Mutter	Nut		
28	2	2	2	2	1134-5346-01	Tankbygel	Fuel tank loop		
29	2	2	2	2	9747-0631-02	Låsmutter	Lock nut		
30	1	1	1	1	9579-0003-00	Buntband	Cable holder		
40	1	1	1	1	9578-0023-02	Slangklämma	Hose clamp		
41	1	1	1	1	1134-5827-01	Oljeavtappning kpl	Oil drain assy		
42	1	1	1	1	1134-5825-01	• Nippel	• Nipple		
43	1	1	1	1	9578-0023-04	• Slangklämma	• Hose clamp		
44	1	1	1	1	1134-3499-02	• Slangklämma	• Hose clamp		
45	1	1	1	1	1134-5826-01	• Plugg	• Plug		



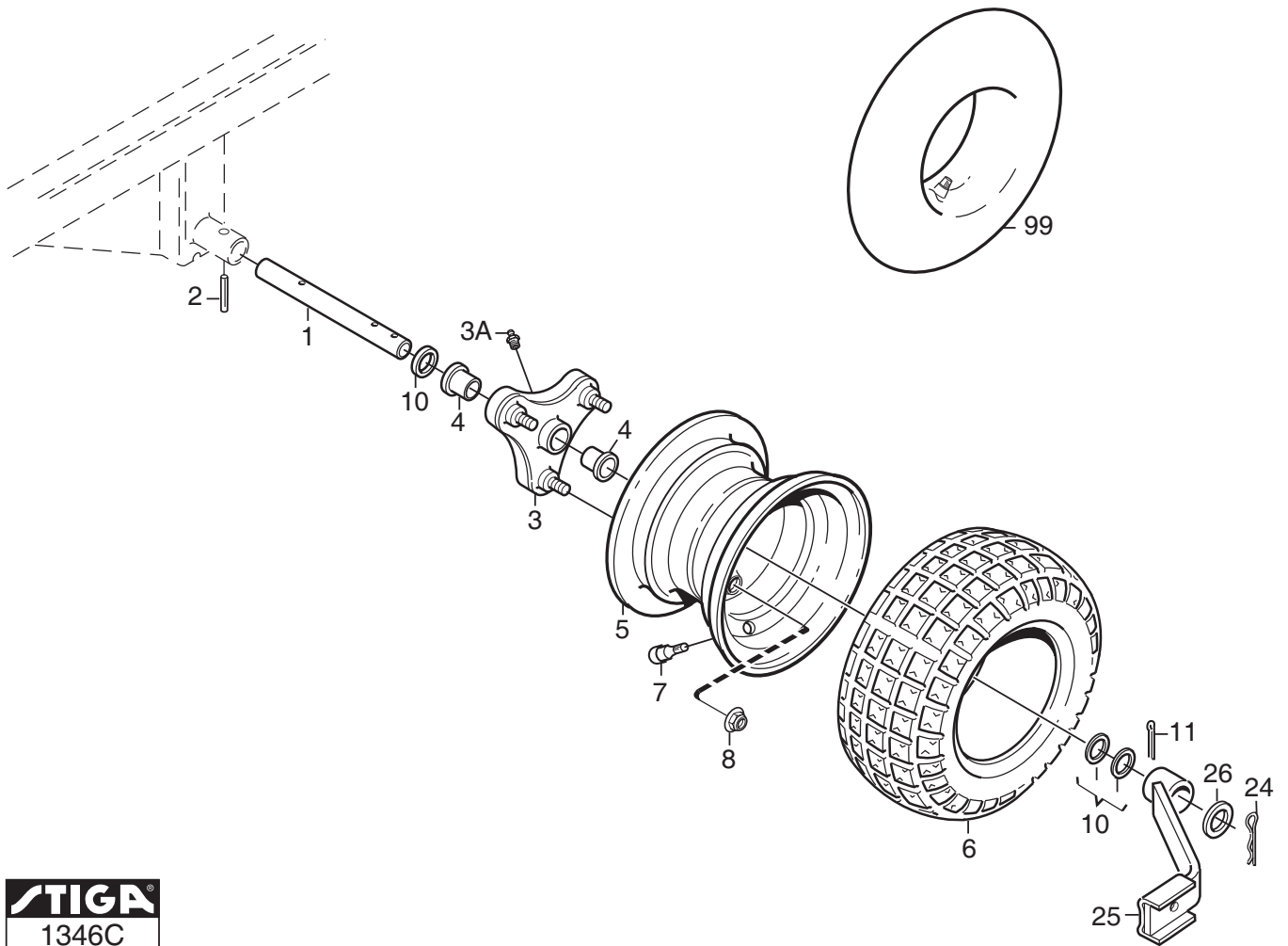
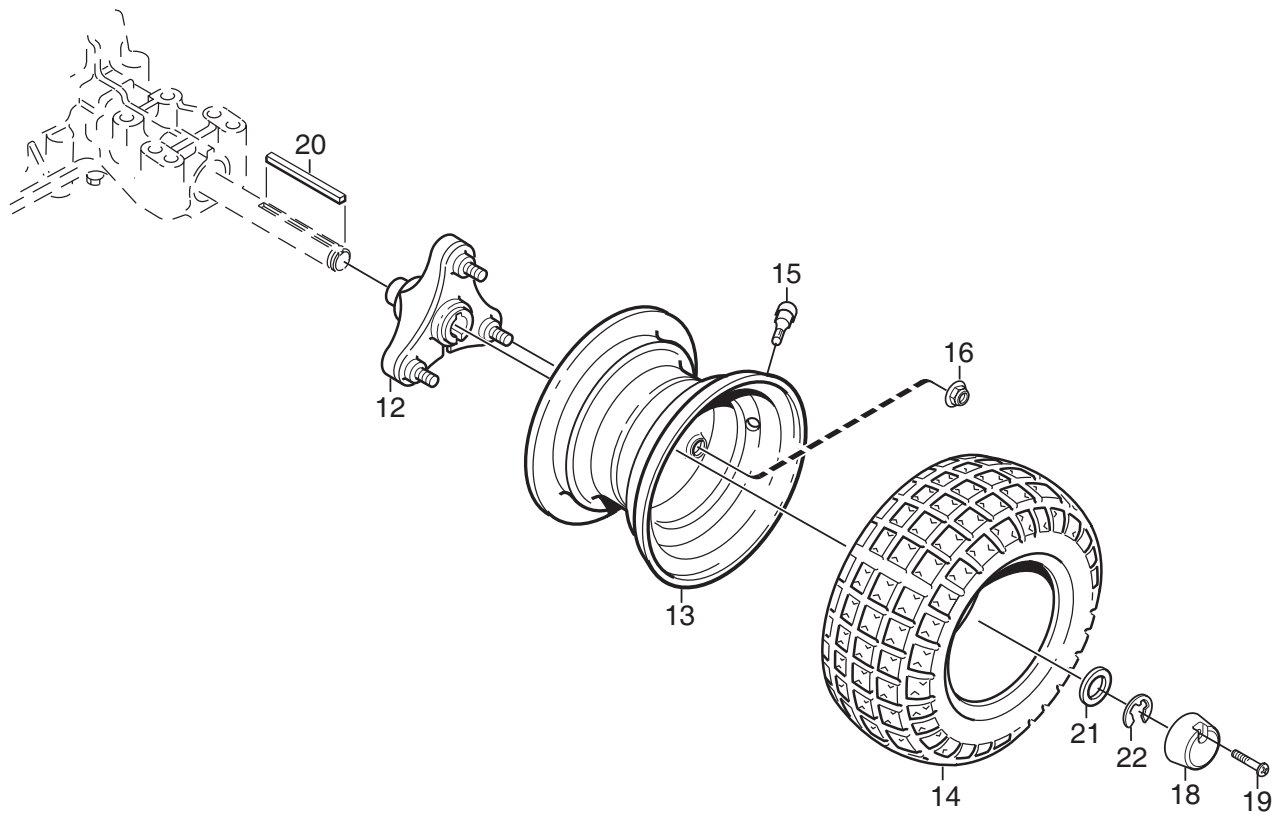
Utgåva Issue		Bildnr Picture No		PARK COMPACT 2WD TRANSMISSION		PARK COMPACT 2WD TRANSMISSION		Sida Page	
2008- 11		1667A						30	
Pos. Fig.	Antal/Quantity				Art nr Part No	Benämning	Description	Sats Kit	Anmärkning Notes
	6101								
1	1				1134-9027-02	Spännrulle- grå	Tension roller- grey		
2	1				1134-2015-04	Spännarm	Tension arm		
3	1				1134-9013-01	Drivrem	V- belt.....		= 9585- 0057- 00
4	1				9799-1031-02	Mutter	Nut		
5	1				9997-1030-16	Skruv	Screw		
6	1				1134-4337-01	Dragfjäder.....	Spring		
7	1				1134-1565-01	Distans	Spacer		
8A	1				1134-5282-01	Transaxel kpl.....	Transaxle assy.....		Dana 4360- 198
8B	1				1134-6349-01	Transaxel kpl.....	Transaxle assy.....		Dana 6800- 8
9	3				9960-0860-12	Skruv	Screw		L = 60 mm
9	1				9997-0870-16	Skruv	Screw		L = 70 mm
10	4				9747-0831-02	Mutter.....	Lock nut		
11	1				1134-3182-01	Remskiva.....	Belt pulley		
13	1				9650-0016-04	Spårring.....	Lock ring		
14	1				1134-2045-02	Bromsstopp.....	Brake stop		
15	1				1134-2986-01	Konsol	Bracket		
17	2				9942-0820-16	Skruv	Screw		
18	1				9959-0820-16	Skruv	Screw		
19	2				9739-0831-22	Mutter.....	Nut		
20A	1				1134-5529-01	Remstyrning.....	Belt guide		Dana 4360- 198
20B	1				1134-5529-02	Remstyrning.....	Belt guide		Dana 6800- 8
21	2				9959-0820-16	Skruv	Screw		
22	2				9699-0056-02	Planbricka.....	Flat washer.....		
26	1				1134-3289-02	Remstyrning.....	Belt guide		
27	2				9739-0831-22	Mutter.....	Nut		



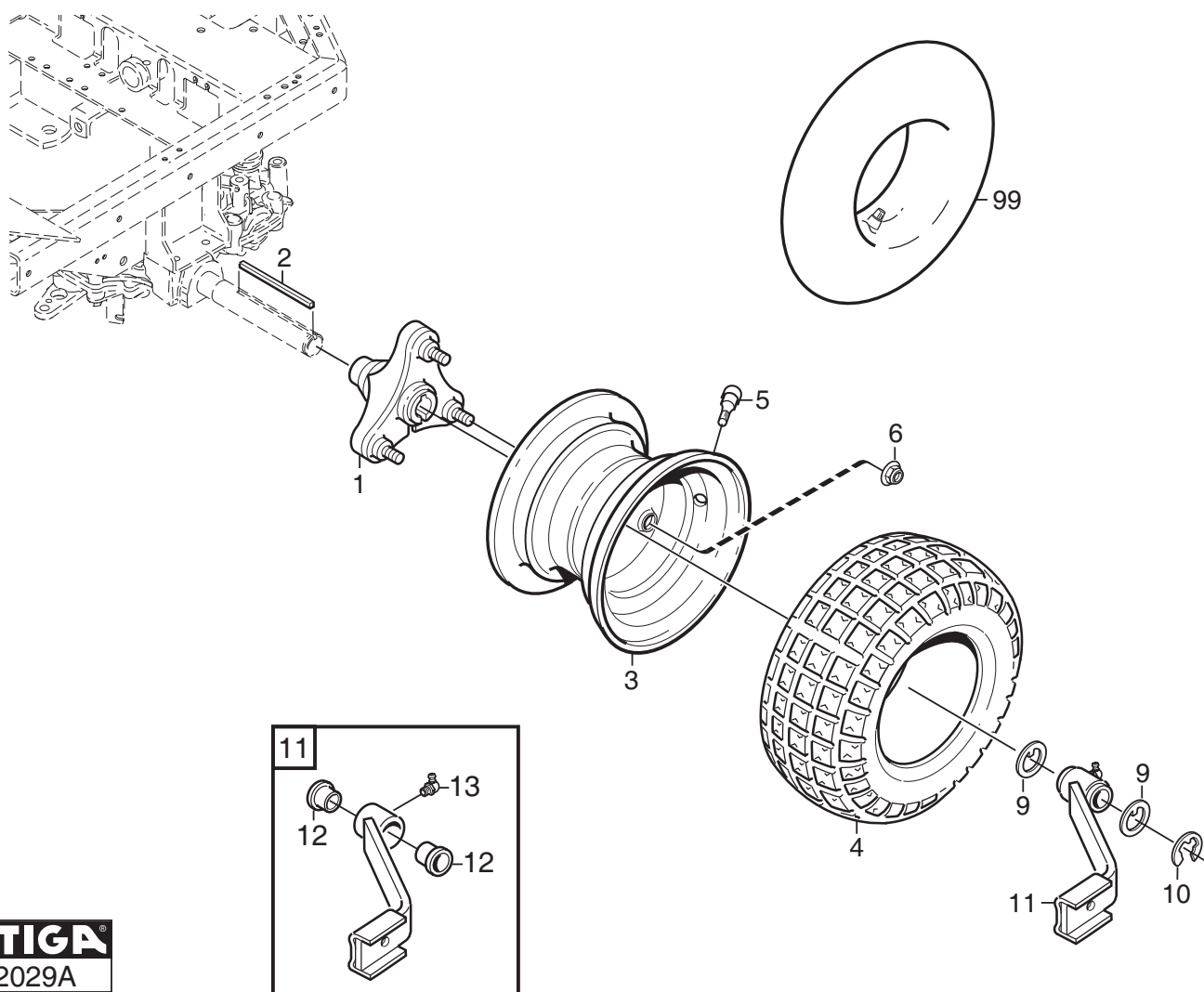
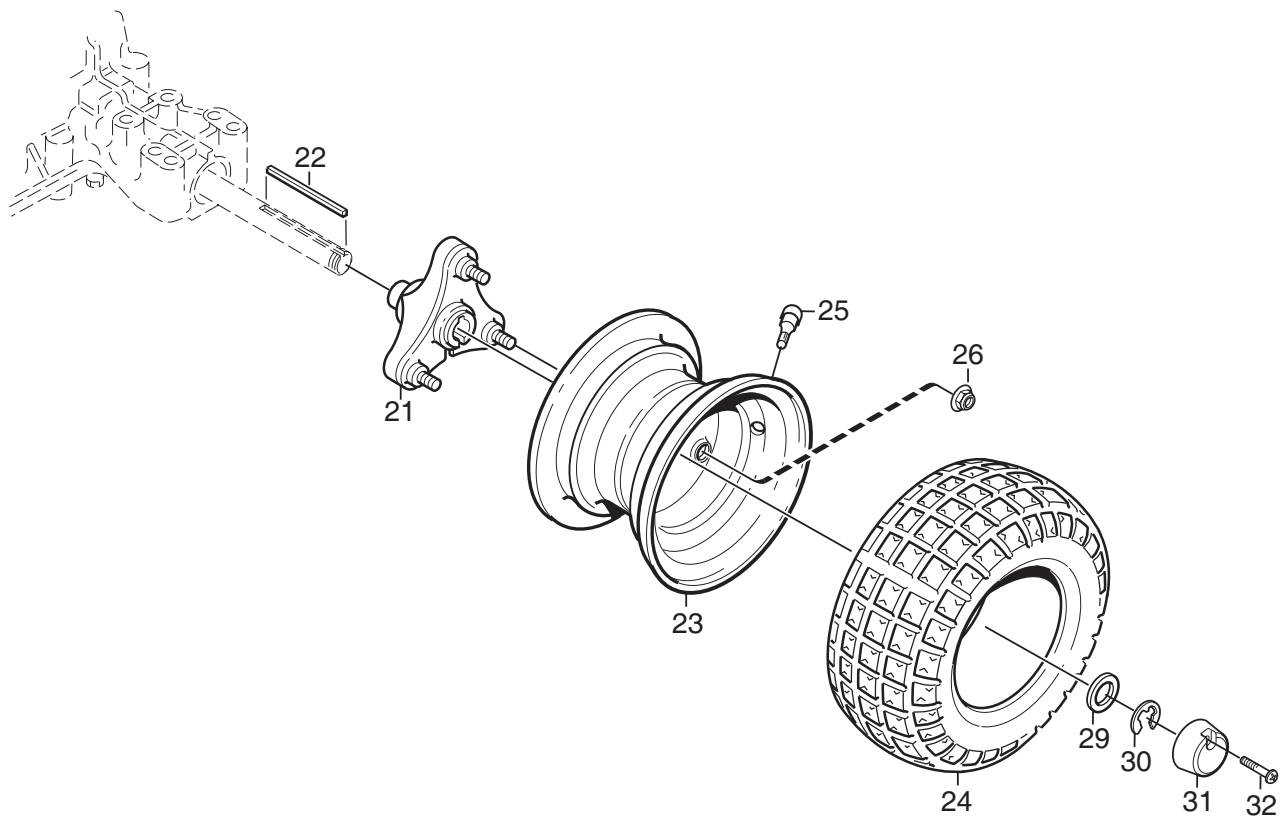




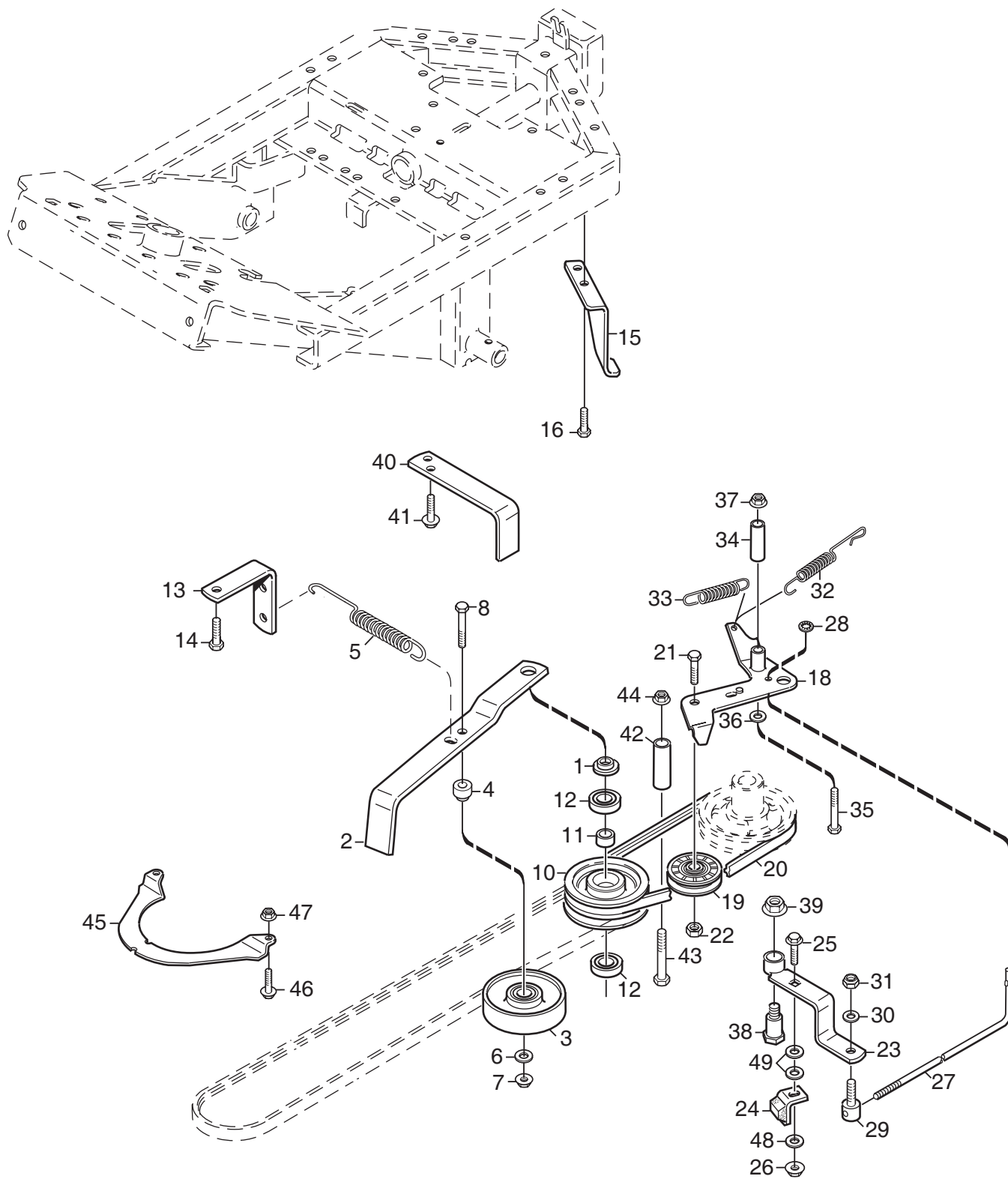
Utgåva Issue 2008- 11		Bildnr Picture No 2028		PARK COMPACT 4WD TRANSMISSION (hydrauliska delar)		PARK COMPACT 4WD TRANSMISSION (hydraulic parts)		Sida Page 36	
Pos. Fig.	Antal/Quantity				Art nr Part No	Benämning	Description	Sats Kit	Anmärkning Notes
	6104								
1	1				1134-6044-01	Vinkeladapter	Angle coupling		3/4" x 9/16"
1A	1				9404-0029-01	• O-ring	• O-ring		
2	1				1134-5875-01	Skäringskoppling	Hydraulic coupling		3/4"
2A	1				9404-0029-01	• O-ring	• O-ring		
3	1				1134-6039-01	Hydraulrör	Hydraulic pipe		
4	1				1134-4948-01	Tredobricka	Seal washer		1/4"
5	1				1134-6042-01	Snabbkoppling- hane	Quick coupling- male		
6	1				9578-0028-01	Rörklammer	Tube clamp		
7	1				9959-0825-16	Skruv	Screw		
8	1				1134-1565-09	Distans	Spacer		
9	1				1134-5809-01	Adapter	Hydraulic coupling		3/4" x 9/16"
9A	1				9404-0029-01	• O-ring	• O-ring		
10	1				1134-5758-01	Hydraulslang	Hydraulic tube		
11	1				1134-6048-01	Hydraulslang	Hydraulic tube		
12	1				1134-6043-01	Hydraulslang	Hydraulic tube		
13	1				1134-6011-01	Hydraultank	Hydraulic oil tank		
13A	1				1134-5965-01	• Tanklock	• Tank cap		
14	1				1134-6009-01	Tankkonsol	Tank bracket		
15	1				9959-0820-16	Skruv	Screw		
16	1				9739-0831-22	Mutter	Nut		
17	1				9945-0816-16	Skruv	Screw		
18	1				1134-6030-01	Tankbygel	Tank loop		
19	2				9747-0631-02	Låsmutter	Lock nut		
20	3				9578-0023-04	Slangklämma	Hose clamp		
21	1				1134-2779-08	Slang	Tube		L = 165 mm
30	1				1134-6162-01	Fäste	Bracket		
31	2				9939-0612-16	Skruv	Screw		
32	2				9699-0025-02	Planbricka	Washer		
33	1				1134-6163-01	Wire	Cable		
34	1				9997-0835-12	Skruv	Screw		
35	2				9739-0831-22	Mutter	Nut		
36	1				1134-6084-01	Reglagekonsol	Control bracket		
37	1				1134-6083-01	Reglagestång	Control rod		
38	1				1134-4014-01	Plastknopp	Plastic button		
39	1				1134-2790-01	Gummihylsa	Rubber grommet		
40	1				9675-0009-02	Starlock	Starlock		
50	1				1134-4015-01	Dragstång	Pull rod		
51	1				1134-4014-01	Plastknopp	Plastic button		
52	1				1134-4713-01	Vinkel	Bracket		
53	1				1134-2790-01	Gummihylsa	Rubber grommet		
54	1				9959-0820-16	Skruv	Screw		
55	1				9739-0831-22	Mutter	Nut		
56	1				9675-0009-02	Starlock	Starlock		



Utgåva Issue		Bildnr Picture No		PARK COMPACT 2WD HJUL		PARK COMPACT 2WD WHEELS		Sida Page	
2008- 11		1346C						38	
Pos. Fig.	Antal/Quantity			Art nr Part No	Benämning	Description	Sats Kit	Anmärkning Notes	
	6101	6102	6103						
1	2	2	2	1134-0075-01	Framaxeltapp	Front axle			
2	2	2	2	9595-0258-00	Spännstift	Locating pin			
3	2	2	2	1134-4844-05	Hjulnav kpl	Wheel hub Assy			
3A	1	1	1	9501-0500-00	• Smörjnippel	• Grease joint			
4	1	1	1	1134-9026-01	• Lagerbussning	• Bearing bush kit		Sats 4 st/kit of 4	
5			2	1134-4558-01	Fälg	Rim			
5	2	2		1134-5255-01	Fälg	Rim			
6			2	9545-0116-00	Däck	Tyre		16 x 7.50 - 8	
6	2	2		9545-0126-01	Däck	Tyre		16 x 6.00 - 8	
7	2	2	2	9545-0500-00	Ventil	Valve			
8	6	6	6	9731-1031-22	Mutter	Nut			
10	8	8	8	1134-0341-01	Bricka	Washer			
11	2	2	2	9599-0080-02	Saxsprint	Cotter pin			
12	2	2	2	1134-4844-02	Hjulnav	Wheel hub			
13			2	1134-4558-01	Fälg	Rim			
13	2	2		1134-5255-01	Fälg	Rim			
14			2	9545-0116-00	Däck	Tyre		16 x 7.50 - 8	
14	2	2		9545-0126-01	Däck	Tyre		16 x 6.00 - 8	
15	2	2	2	9545-0500-00	Ventil	Valve			
16	6	6	6	9731-1031-22	Mutter	Nut			
18	2	2	2	1134-4796-01	Navkapsel	Hub cap			
19	2	2	2	9947-0540-19	Skruv	Screw			
20	2	2	2	1134-2471-01	Kil	Key		L = 58 mm	
21	2	2	2	9699-0042-02	Planbricka	Flat washer			
22	2	2	2	9653-0001-04	Spårryttare	Lock ring			
24	2	2	2	9598-0003-02	Låsnål	Spring pin			
25	2	2	2	1134-3710-01	Redskapsfäste	Tool attachment			
26	2	2	2	9699-0042-02	Planbricka	Flat washer			
99				9545-0203-00	Innerslang	Inner tube		Reservdel/spare part	

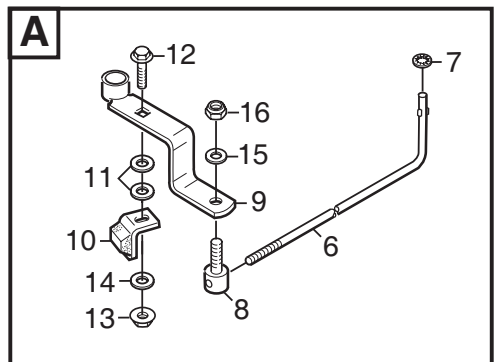
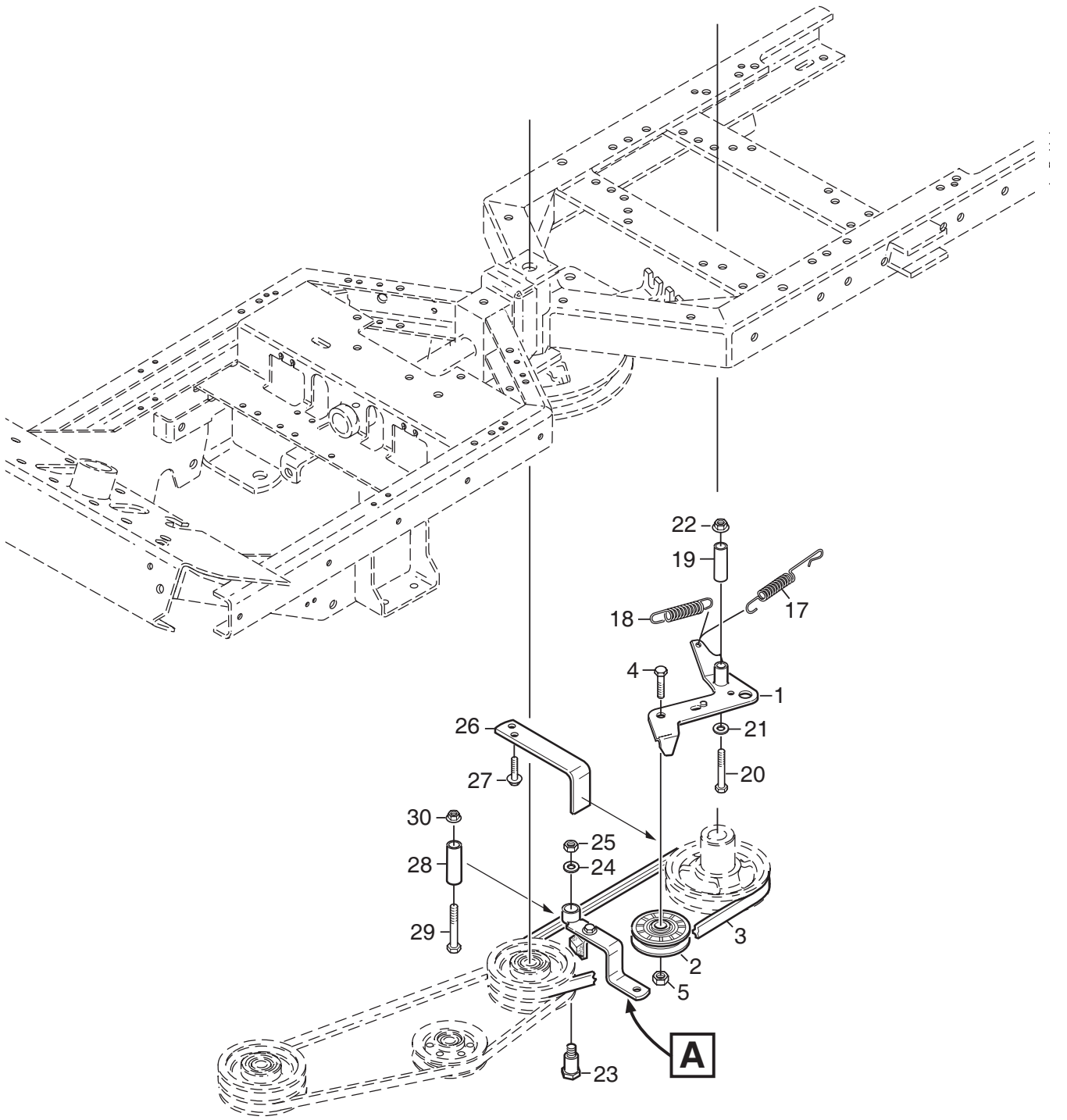


Utgåva Issue		Bildnr Picture No		PARK COMPACT 4WD HJUL		PARK COMPACT 4WD WHEELS		Sida Page	
2008- 11		2029A						40	
Pos. Fig.	Antal/Quantity				Art nr Part No	Benämning	Description	Sats Kit	Anmärkning Notes
	6104								
1	2				1134-4844-03 Hjulnav	Wheel hub			
2	2				1134-3383-02 Kil	Key			
3	2				1134-4558-01 Fälg	Rim			
4	2				9545-0116-00 Däck	Tyre			16 x 7.50 - 8
5	2				9545-0500-00 Ventil	Valve			
6	6				9731-1031-22 Mutter	Nut			
9	4				1134-5797-01 Bricka	Washer			
10	2				9653-0002-04 Spärryttare	Lock ring			
11	2				1134-5886-01 Redskapsfäste kpl.	Tool attachment assy			
12	2				1134-5686-01 • Lagerbussning	• Bearing bush			
13	1				9501-0502-00 • Smörjnippel	• Grease joint			
21	2				1134-4844-02 Hjulnav	Wheel hub			
22	2				1134-2471-01 Kil	Key			
23	2				1134-4558-01 Fälg	Rim			
24	2				9545-0116-00 Däck	Tyre			16 x 7.50 - 8
25	2				9545-0500-00 Ventil	Valve			
26	6				9731-1031-22 Mutter	Nut			
29	2				9699-0042-02 Planbricka	Flat washer			
30	2				9653-0001-04 Spärryttare	Lock ring			
31	2				1134-4796-01 Navkapsel	Hub cap			
32	2				9947-0540-19 Skruv	Screw			
99					9545-0203-00 Innerslang	Inner tube			Reservdel/spare part

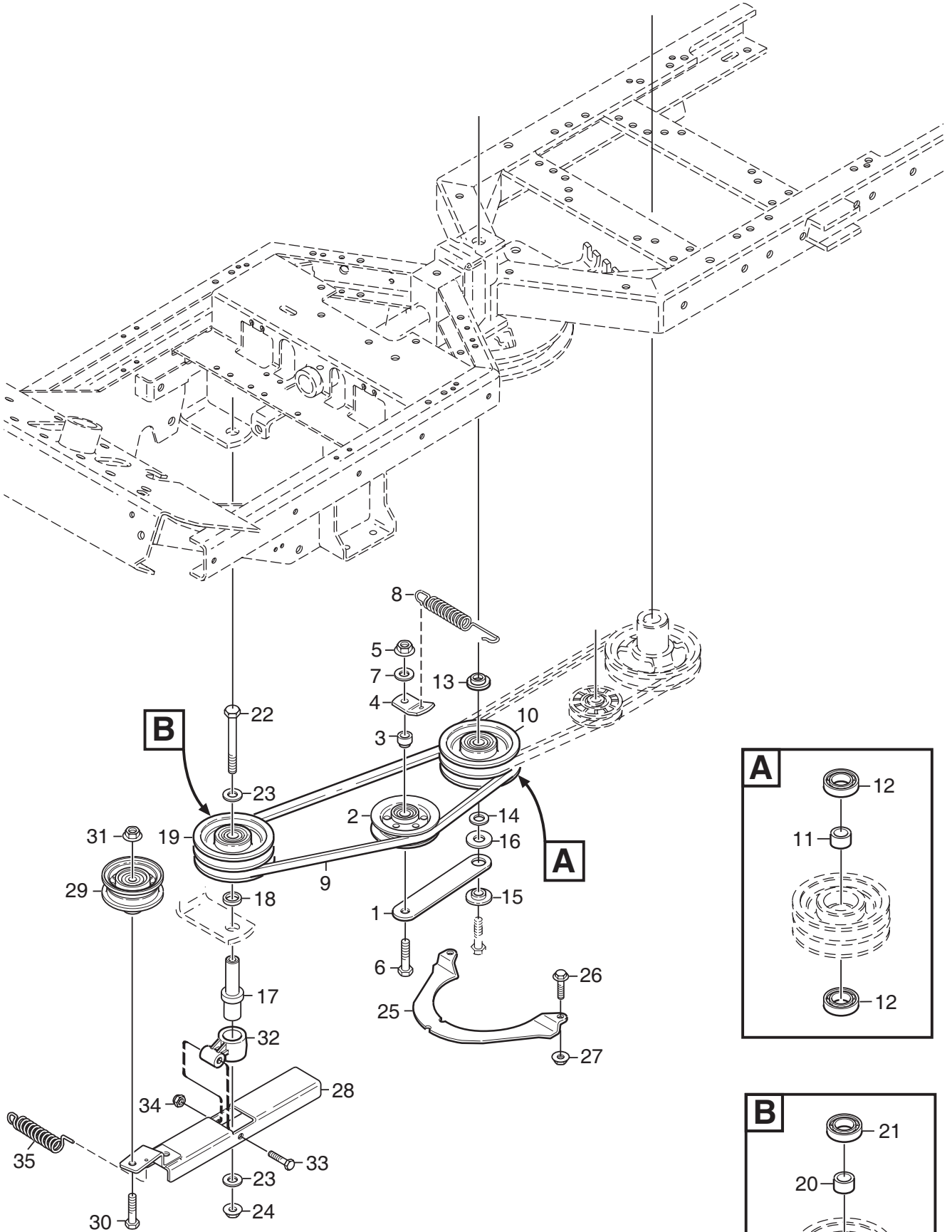


Utgåva Issue		Bildnr Picture No		PARK COMPACT 2WD KRAFTUTTAG		PARK COMPACT 2WD POWER TAKE- OFF		Sida Page	
2008- 11		1030G						42	
Pos. Fig.	Antal/Quantity				Art nr Part No	Benämning	Description	Sats Kit	Anmärkning Notes
	6101	6102	6103						
1	1				1134-5548-01	Distans	Spacer		
2	1				1134-5109-01	Spännhjularm	Tension wheel arm		
3	1				1134-1770-01	Spännrulle	Tension roller		
4	1				1134-1888-04	Distans	Spacer		
5	1				1134-5111-01	Fjäder.....	Spring		
6	1				9699-0056-02	Planbricka.....	Flat washer.....		
7	1				9739-0831-22	Mutter.....	Nut		
8	1				9997-0855-12	Skruv.....	Screw		
10	1				1134-1769-03	Centrumremskiva kpl.....	Centre pulley assy		
11	1				1134-0051-09	• Distans	• Spacer		
12	2				9549-0019-00	• Kullager	• Ball bearing		
13	1				1134-5112-01	Fjäderfäste.....	Spring attachment.....		
14	2				9945-0816-16	Skruv.....	Screw		
15	1				1134-5110-01	Hake	Hook		
16	2				9893-0616-16	Skruv.....	Screw		
18	1				1134-2018-02	Spännarm.....	Tension arm		
19	1				1134-9027-02	Spännrulle- grå	Tension roller- grey		
20	1				1134-9071-01	Drivrem	V- belt.....		
21	1				9997-1030-16	Skruv.....	Screw		
22	1				9799-1031-02	Mutter.....	Nut		
23	1				1134-4111-01	Bromsarm	Brake arm		
24	1				1134-4164-03	Bromsklots	Brake pad		
25	1				9897-0825-16	Skruv.....	Screw		
26	1				9747-0831-02	Mutter.....	Lock nut		
27	1				1134-4162-01	Bromsstång	Brake rod		
28	1				9675-0008-02	Starlock	Locking washer		
29	1				1134-4170-01	Nippel	Nipple		
30	1				9699-0025-02	Planbricka.....	Washer.....		
31	1				9747-0631-02	Låsmutter	Lock nut		
32	1				4231-0013-00	Fjäder.....	Spring		
33	1				1134-4231-01	Dragfjäder.....	Spring		
34	1				1134-1565-10	Distans	Spacer		
35	1				9997-0860-16	Skruv.....	Screw		
36	1				9699-0056-02	Planbricka.....	Flat washer.....		
37	1				9739-0831-22	Mutter.....	Nut		
38	1				1134-4163-01	Ansatsskruv	Shoulder bolt		
39	1				9731-1031-22	Mutter.....	Nut		
40	1				1134-3958-01	Remstyrning.....	Belt guide		
41	2				9893-0616-16	Skruv.....	Screw		
42	1				1134-0041-03	Hylsa	Collar		
43	1				9997-1070-12	Skruv.....	Screw		
44	1				9739-1031-22	Mutter.....	Nut		
45	1				1134-3654-01	Fingerskydd	Finger guard.....		
46	2				9959-0612-16	Skruv.....	Screw		
47	2				9739-0631-22	Mutter.....	Nut		
48	1				9699-0090-02	Planbricka.....	Flat washer.....		
49	2				9699-0035-02	Planbricka.....	Flat washer.....		

= 9585-0129-01



Utgåva Issue		Bildnr Picture No		PARK COMPACT 4WD KRAFTUTTAG 1		PARK COMPACT 4WD POWER TAKE-OFF 1		Sida Page	
2008-11		2030						44	
Pos. Fig.	Antal/Quantity				Art nr Part No	Benämning	Description	Sats Kit	Anmärkning Notes
	6104								
1	1				1134-2018-02 Spännarm	Tension arm			
2	1				1134-9027-02 Spännrulle- grå	Tension roller- grey			
3	1				1134-9071-01 Drivrem	V- belt			= 9585-0129-01
4	1				9997-1030-16 Skruv	Screw			
5	1				9799-1031-02 Mutter	Nut			
6	1				1134-4162-01 Bromsstång	Brake rod			
7	1				9675-0008-02 Starlock	Locking washer			
8	1				1134-4170-01 Nippel	Nipple			
9	1				1134-4111-01 Bromsarm	Brake arm			
10	1				1134-4164-03 Bromsklots	Brake pad			
11	2				9699-0035-02 Planbricka	Flat washer			
12	1				9897-0825-16 Skruv	Screw			
13	1				9747-0831-02 Mutter	Lock nut			
14	1				9699-0090-02 Planbricka	Flat washer			
15	1				9699-0025-02 Planbricka	Washer			
16	1				9747-0631-02 Låsmutter	Lock nut			
17	1				4231-0013-00 Fjäder	Spring			
18	1				1134-4231-01 Dragfjäder	Spring			
19	1				1134-1565-10 Distans	Spacer			
20	1				9997-0860-16 Skruv	Screw			
21	1				9699-0056-02 Planbricka	Flat washer			
22	1				9739-0831-22 Mutter	Nut			
23	1				1134-4163-01 Ansatssskruv	Shoulder bolt			
24	1				9699-0035-02 Planbricka	Flat washer			
25	1				9739-1031-22 Mutter	Nut			
26	1				1134-3958-01 Remstyrning	Belt guide			
27	2				9893-0616-16 Skruv	Screw			
28	1				1134-0041-03 Hylsa	Collar			
29	1				9997-1070-12 Skruv	Screw			
30	1				9739-1031-22 Mutter	Nut			



Utgåva Issue		Bildnr Picture No		PARK COMPACT 4WD KRAFTUTTAG 2		PARK COMPACT 4WD POWER TAKE-OFF 2		Sida Page	
2008-11		2031A						46	
Pos. Fig.	Antal/Quantity				Art nr Part No	Benämning	Description	Sats Kit	Anmärkning Notes
	6104								
1	1				1134-1730-01 Spännhjulssarm	Tension wheel arm			
2	1				1134-3663-01 Spännrulle	Tension wheel			
3	1				1134-1888-05 Distans	Spacer			
4	1				1134-1893-01 Fjäderfäste	Spring attachment			
5	1				9739-1031-22 Mutter	Nut			
6	1				9997-1060-12 Skruv	Screw			
7	1				9699-0035-02 Planbricka	Flat washer			
8	1				1134-5713-01 Dragfjäder	Spring			
9	1				1134-9098-01 Drivrem	V-belt			
10	1				1134-1769-03 Centrumremskiva kpl.	Centre pulley assy			= 9585-0148-01
11	1				1134-0051-09 • Distans	• Spacer			
12	2				9549-0019-00 • Kullager	• Ball bearing			
13	1				1134-5548-01 Distans	Spacer			
14	1				9699-0035-02 Planbricka	Flat washer			
15	1				1134-0222-00 Bricka	Washer			
16	1				9699-0109-02 Planbricka	Flat washer			
17	1				1134-5663-01 Axel	Shaft			
18	1				1134-0052-00 Lagerdistans	Bearing spacer			
19	1				1134-1769-03 Centrumremskiva kpl.	Centre pulley assy			
20	1				1134-0051-09 • Distans	• Spacer			
21	2				9549-0019-00 • Kullager	• Ball bearing			
22	1				9997-1011-06 Skruv	Screw			
23	2				9699-0030-02 Planbricka	Flat washer			
24	1				9739-1031-22 Mutter	Nut			
25	1				1134-3654-01 Fingerskydd	Finger guard			
26	2				9959-0612-16 Skruv	Screw			
27	2				9739-0631-22 Mutter	Nut			
28	1				1134-5660-01 Spännarm	Tension arm			
29	1				1134-5823-01 Spännrulle	Tension roller			
30	1				9997-1050-16 Skruv	Screw			
31	1				9739-1031-22 Mutter	Nut			
32	1				1134-6314-01 Spännarmsfäste	Attachment			
33	1				9997-0645-12 Skruv	Screw			
34	1				9747-0631-02 Låsmutter	Lock nut			
35	1				1134-5824-01 Fjäder	Spring			