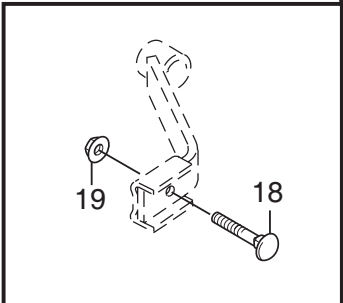
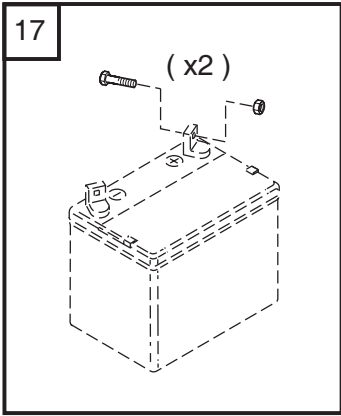
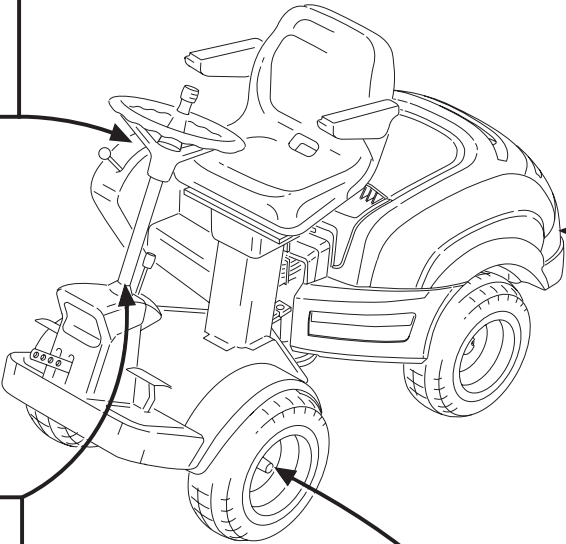
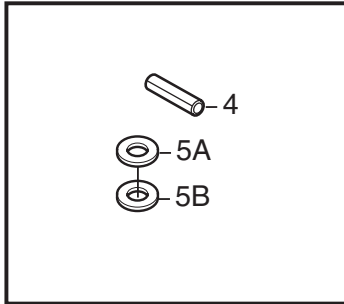
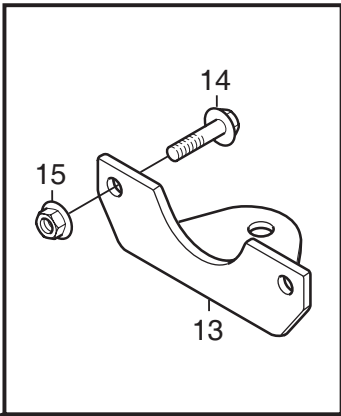
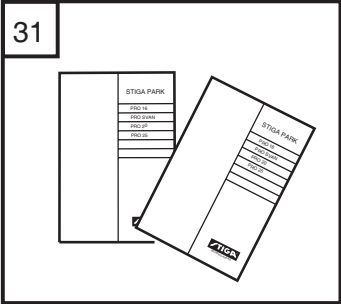
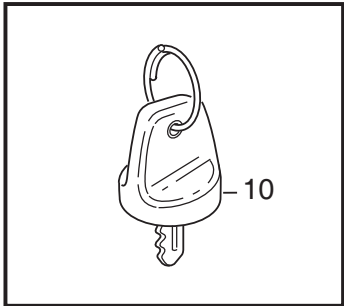


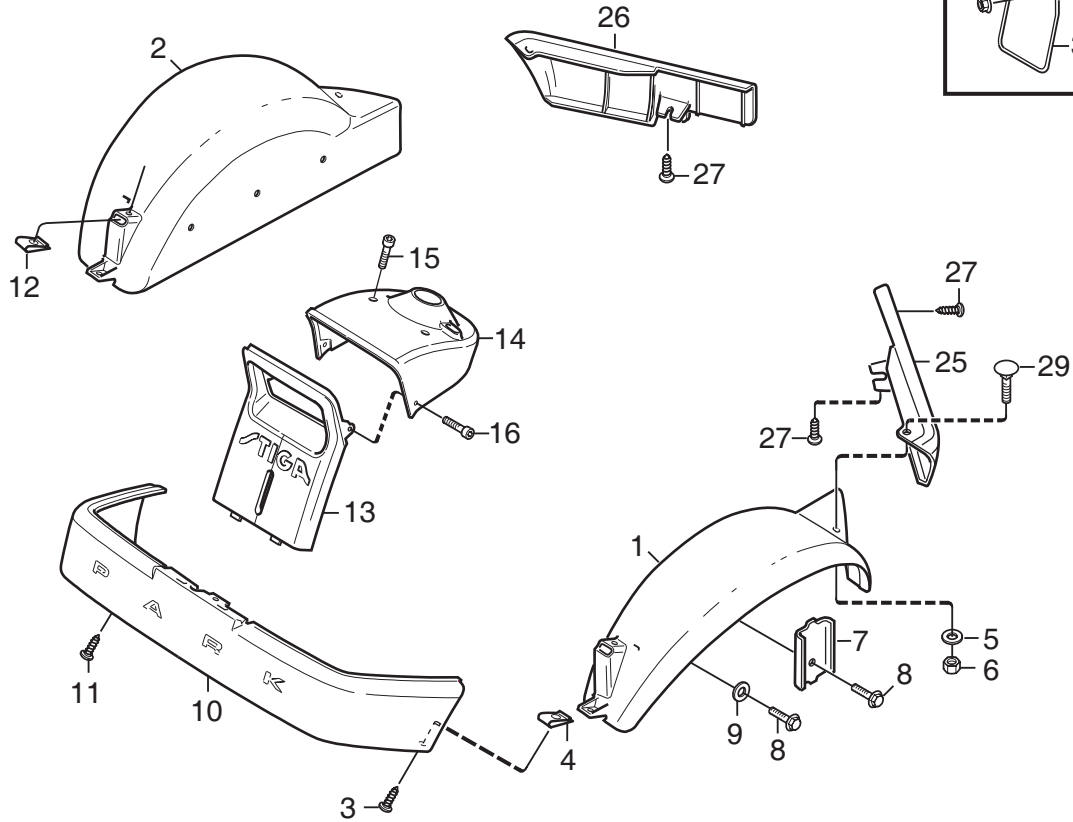
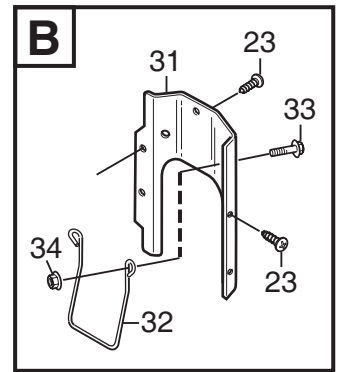
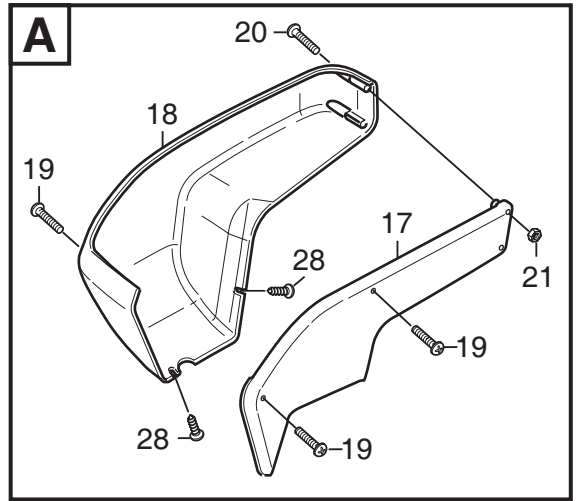
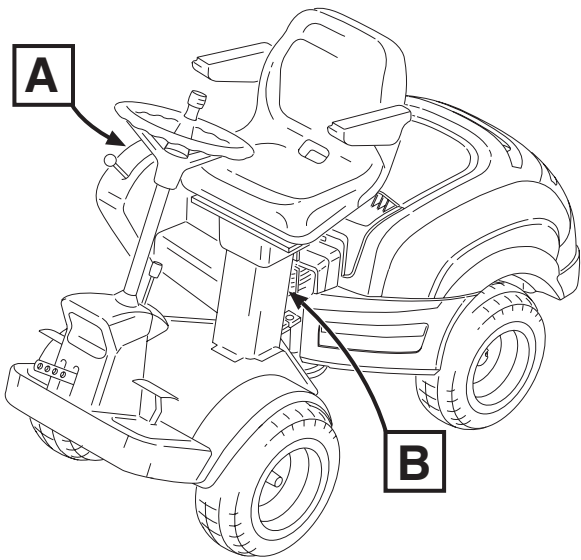
# Genuine Spare Parts

---

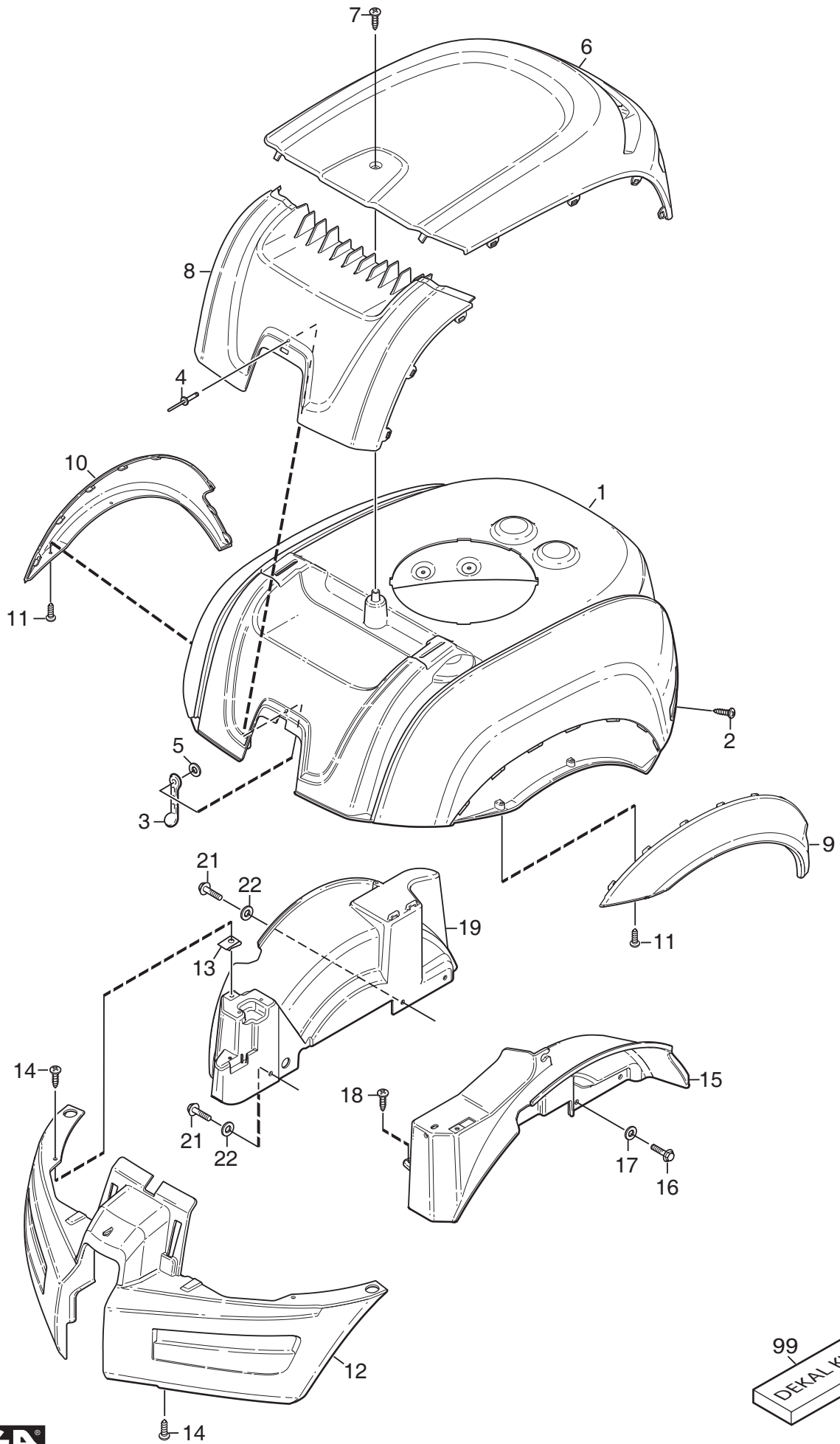




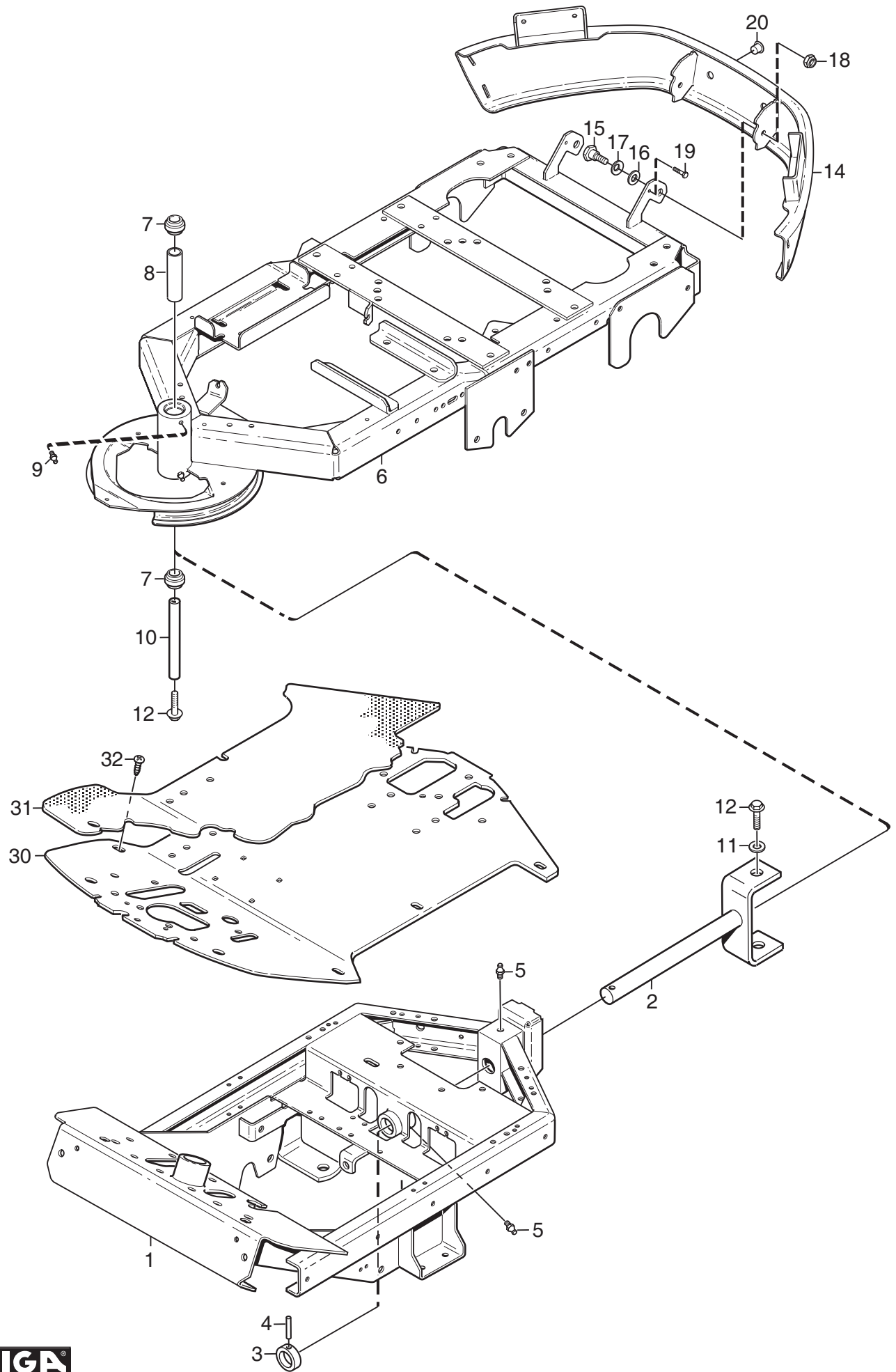
Utgåva Issue		Bildnr Picture No		PARK PRO 4WD MONTERINGSDETALJER		PARK PRO 4WD ASSEMBLY PARTS		Sida Page	
2008- 11		1788B						148	
Pos. Fig.	Antal/Quantity				Art nr Part No	Benämning	Description	Sats Kit	Anmärkning Notes
	6241 6244 6246	6242	6245						
4	1	1	1		9595-0262-00	Spännstift .....	Locating pin .....		
5A	1	1	1		9699-0103-02	Shims .....	Flat washer .....		0.5 mm
5B	1	1	1		9699-0114-02	Shims .....	Flat washer .....		1.0 mm
10	2	2	2		1134-4734-01	Tändningsnyckel .....	Ignition key .....		
13	1	1	1		1134-5512-01	Dragplåt .....	Towing plate .....		
14	2	2	2		9959-0820-16	Skruv .....	Screw .....		
15	2	2	2		9739-0831-22	Mutter .....	Nut .....		
17	1	1	1		1134-6113-02	Batteriskruvar .....	Battery screws .....		
18	2	2	2		9898-1035-16	Skruv .....	Screw .....		
19	2	2	2		9739-1031-22	Mutter .....	Nut .....		
X 31	1				8211-0005-80	Bruksanvisning .....	Owner's manual .....		
X 31	1				8211-0006-80	Bruksanvisning .....	Owner's manual .....		
X 31		1			8211-0035-80	Bruksanvisning .....	Owner's manual .....		Pro Bivoj CZ
X 31			1		8211-0073-80	Bruksanvisning .....	Owner's manual .....		Pro Silver IT
X 31	1				8211-0606-80	Monteringsanvisning .....	Assy instructions .....		
X 31	1				8211-0701-80	Säkerhetsföreskrifter .....	Safety regulations .....		
X 31	1	1			8211-0901-80	Servicebok .....	Service book .....		
X 31	1	1			8211-0950-80	Garantikort .....	Warranty card .....		



Utgåva Issue		Bildnr Picture No		PARK PRO 4WD KAROSS-FRAM		PARK PRO 4WD BODY WORK-FRONT		Sida Page	
2008- 11		1789B						150	
Pos. Fig.	Antal/Quantity			Art nr Part No	Benämning	Description	Sats Kit	Anmärkning Notes	
	6241 6244 6246	6242 6245							
1	1	1		1134-3943-11	Skärm- vä, grå .....	Mud guard- LH, grey .....			
2	1	1		1134-3943-12	Skärm- hö, grå .....	Mud guard- RH, grey .....			
3	2	2		9893-0616-16	Skruv .....	Screw .....			
4	2	2		1134-4176-01	Clips .....	Clips .....			
5	2	2		9699-0060-02	Planbricka .....	Flat washer .....			
6	2	2		9747-0631-02	Låsmutter .....	Lock nut .....			
7	2	2		1134-0225-00	Stödplåt .....	Support plate .....			
8	6	6		9945-0816-16	Skruv .....	Screw .....			
9	4	4		9699-0056-02	Planbricka .....	Flat washer .....			
10	1	1		1134-4220-02	Stötfångare- grå .....	Bumper- grey .....			
11	6	6		9893-0616-16	Skruv .....	Screw .....			
12	2	2		1134-4176-01	Clips .....	Clips .....			
13	1	1		1134-4216-05	Frontdekor- gul .....	Front plate- yellow .....			
14	1	1		1134-3984-03	Frontdekor övre- gul .....	Front plate upper- yel .....			
15	2	2		9946-0525-16	Skruv .....	Screw .....			
16	2	2		9840-8019-16	Skruv .....	Screw .....			
17	1	1		1134-4360-01	Kåpa- inre .....	Cover- inner .....			
18	1	1		1134-3979-01	Kåpa- yttre .....	Cover- outer .....			
19	3	3		9946-0525-16	Skruv .....	Screw .....			
20	2	2		9950-0570-12	Skruv .....	Screw .....			
21	2	2		9747-0531-02	Mutter .....	Nut .....			
23	4	4		9893-0616-16	Skruv .....	Screw .....			
25	1	1		1134-3970-05	Kantlist- vä, grå .....	Moulding- LH, grey .....			
26	1	1		1134-3970-02	Kantlist- hö, grå .....	Moulding- RH, grey .....			
27	4	4		9893-0616-16	Skruv .....	Screw .....			
28	2	2		9840-8019-16	Skruv .....	Screw .....			
29	2	2		9897-0616-16	Vagnsbult .....	Carriage bolt .....			
31	1	1		1134-6461-01	Bakstycke .....	Rear plate .....			
32	1	1		1134-6460-01	Skyddsbygel .....	Protective loop .....			
33	2	2		9959-0820-16	Skruv .....	Screw .....			
34	2	2		9739-0831-22	Mutter .....	Nut .....			



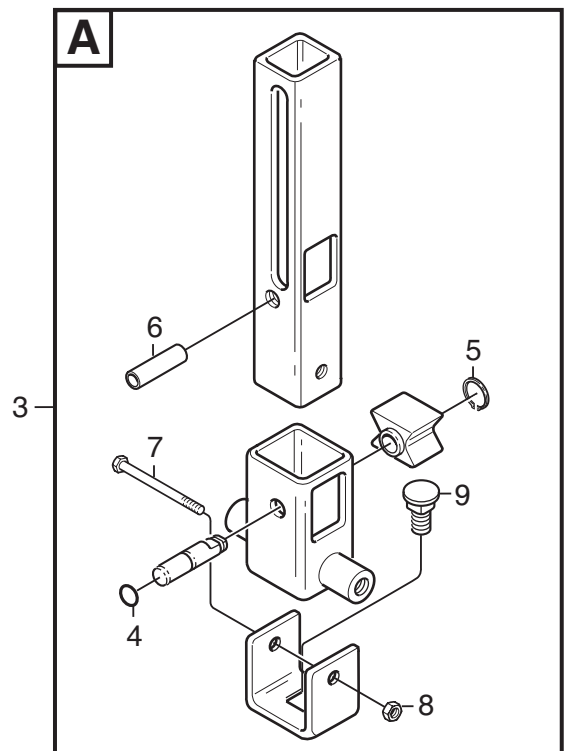
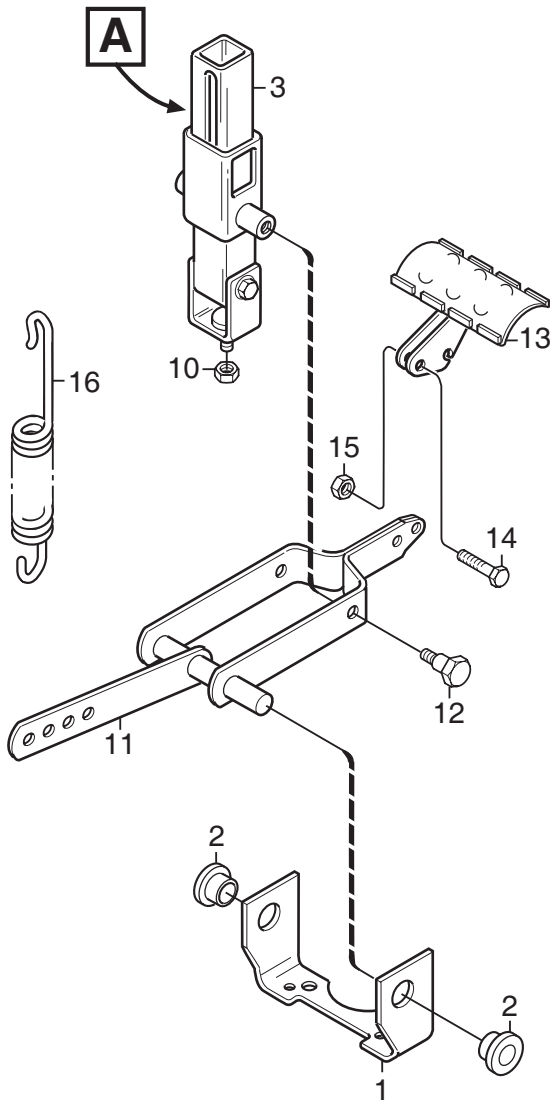
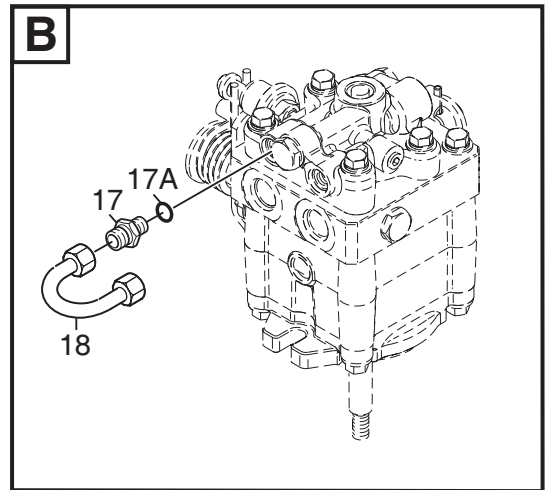
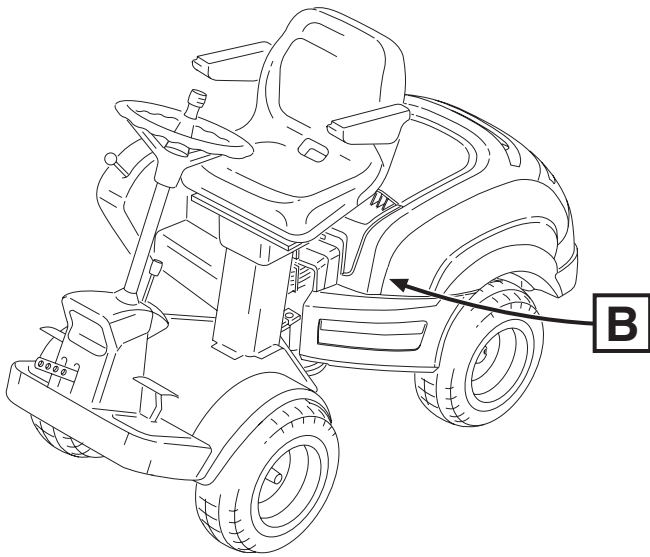
Utgåva Issue 2008- 11		Bildnr Picture No 1790		PARK PRO 4WD KAROSS- BAK		PARK PRO 4WD BODY WORK- REAR		Sida Page 152	
Pos. Fig.	Antal/Quantity				Art nr Part No	Benämning	Description	Sats Kit	Anmärkning Notes
	6241 -24	6241 - 14	6244 6245	6242 6246					
1	1	1	1	1	1134-5634-01	Motorhuv.....	Engine hood .....		
2	4	4	4	4	9893-0616-16	Skruv .....	Screw .....		
3	1	1	1	1	1134-9028-01	Gummistropp- sats.....	Rubber strap kit .....		Sats 3 st/kit if 3
4	1	1	1	1	9632-0513-00	Popnit .....	Pop rivet .....		
5	1	1	1	1	9699-0120-02	Bricka .....	Washer .....		
6	1	1	1	1	1134-5636-01	Motorlucka .....	Engine cover .....		
7	1	1	1	1	9838-9516-12	Skruv .....	Screw .....		
8	1	1	1	1	1134-5635-01	Frontlucka.....	Engine front cover.....		
9	1	1	1	1	1134-5638-01	Skärmbreddare- vä .....	Wheel arch liner- LH.....		
10	1	1	1	1	1134-5638-02	Skärmbreddare- hö.....	Wheel arch liner- RH .....		
11	4	4	4	4	9838-9516-12	Skruv .....	Screw .....		
12	1	1	1	1	1134-5637-01	Spoiler .....	Spoiler .....		
13	2	2	2	2	1134-4176-01	Clips .....	Clips .....		
14	4	4	4	4	9893-0616-16	Skruv .....	Screw .....		
15	1	1	1	1	1134-5647-01	Innerskärm- vä.....	Inner fender- LH.....		
16	3	3	3	3	9945-0816-16	Skruv .....	Screw .....		
17	3	3	3	3	9699-0056-02	Planbricka.....	Flat washer.....		
18	1	1	1	1	9893-0616-16	Skruv .....	Screw .....		
19	1	1	1	1	1134-5647-02	Innerskärm- hö .....	Inner fender- RH .....		
21	3	3	3	3	9945-0816-16	Skruv .....	Screw .....		
22	3	3	3	3	9699-0056-02	Planbricka.....	Flat washer.....		
99		1			1134-4593-11	Dekalsats .....	Label kit .....		Pro 16
99			1		1134-4593-12	Dekalsats .....	Label kit .....		Pro 20
99				1	1134-4593-13	Dekalsats .....	Label kit .....		Pro 25
99	1				1134-4593-14	Dekalsats .....	Label kit .....		Pro Svan



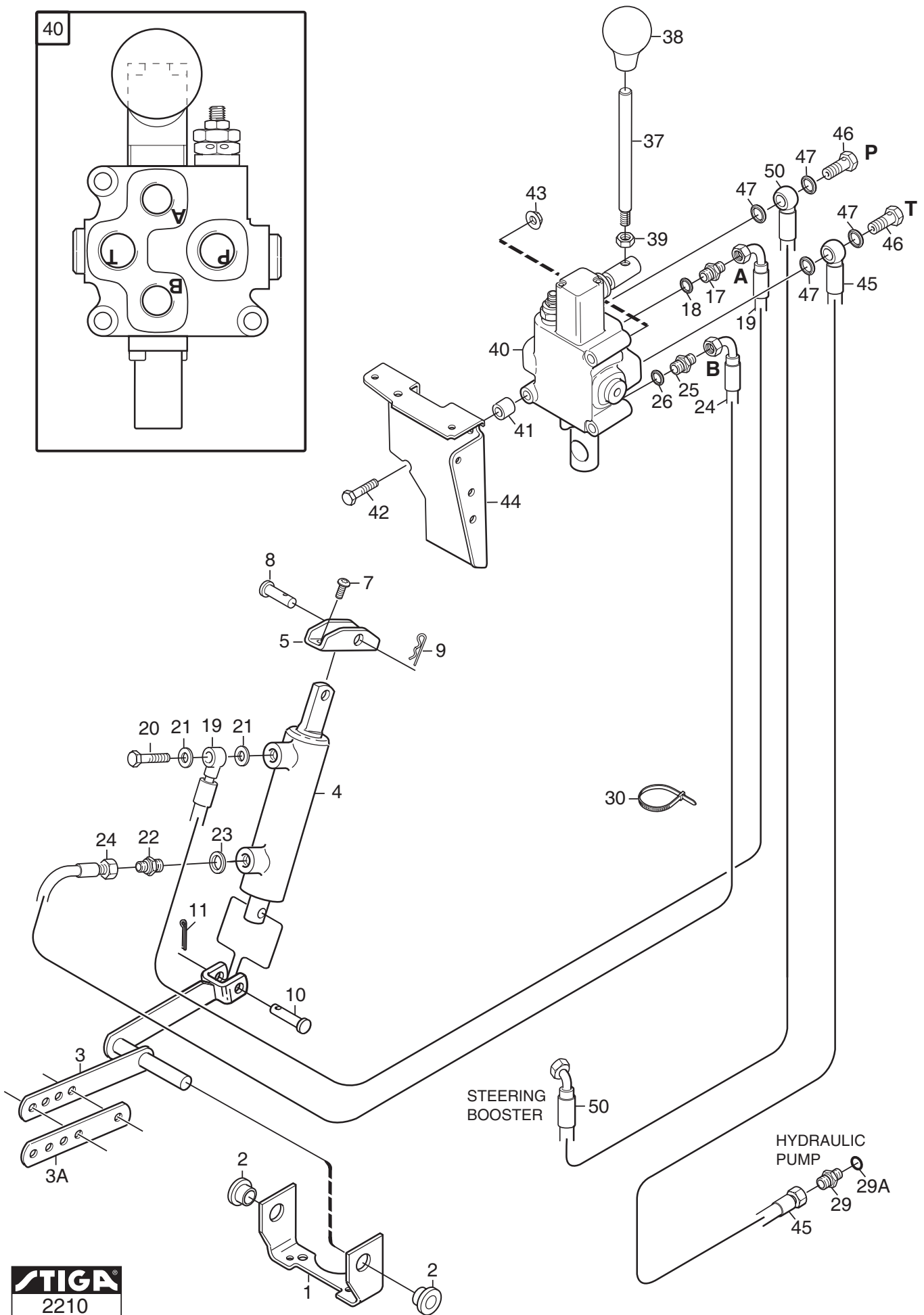
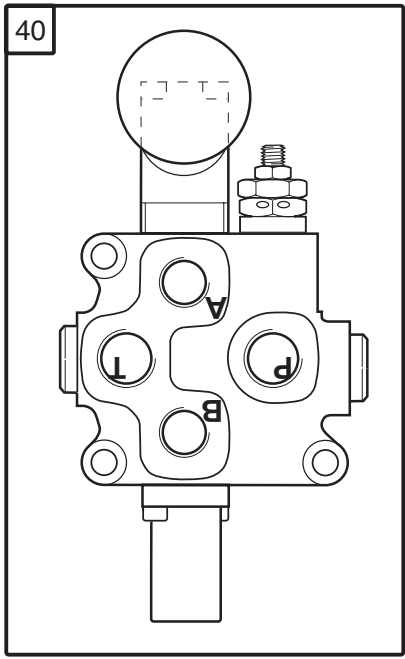


Utgåva Issue		Bildnr Picture No		PARK PRO 4WD RAM		PARK PRO 4WD FRAME		Sida Page	
2008- 11		1791A						154	
Pos. Fig.	Antal/Quantity				Art nr Part No	Benämning	Description	Sats Kit	Anmärkning Notes
	6241 6244 6246	6242 6245							
1	1	1			1134-5656-02	Ram- främre .....	Frame- front .....		
2	1	1			1134-3963-02	• Midjegaffel .....	• Clevis .....		
3	1	1			1134-0031-00	• Ledaxelstopp .....	• Pivot shaft stop .....		
4	1	1			9595-0262-00	• Spännstift .....	• Locating pin .....		
5	2	2			9501-0500-00	• Smörjnippel .....	• Grease joint .....		
6	1	1			1134-5953-01	Ram- bakre .....	Frame- rear .....		
7	2	2			9547-0001-00	• Ledlager .....	• Bearing .....		
8	1	1			1134-5705-01	• Distans .....	• Spacer .....		
9	2	2			9501-0500-00	• Smörjnippel .....	• Grease joint .....		
10	1	1			1134-5988-01	Centrumaxel .....	Centre shaft .....		
11	1	1			9699-0035-02	Planbricka .....	Flat washer .....		
12	2	2			9959-1025-16	Skruv .....	Screw .....		
14	1	1			1134-5676-01	Stötfångare .....	Bumper .....		
15	2	2			1134-0240-00	Ansattsskruv .....	Shoulder screw .....		
16	2	2			1134-4242-01	Distansbricka .....	Spacer washer .....		
17	2	2			9665-0002-00	Brickfjäder .....	Bowed washer .....		
18	2	2			9747-0831-02	Mutter .....	Lock nut .....		
19	2	2			9943-0516-16	Skruv .....	Screw .....		
20	2	2			1134-4100-01	Täckpropp .....	Plug .....		
30	1	1			1134-6586-01	Durk .....	Floor plate .....		
31	1	1			1134-6372-04	Durkmatta .....	Floor mat .....		
32	2	2			9893-0616-16	Skruv .....	Screw .....		

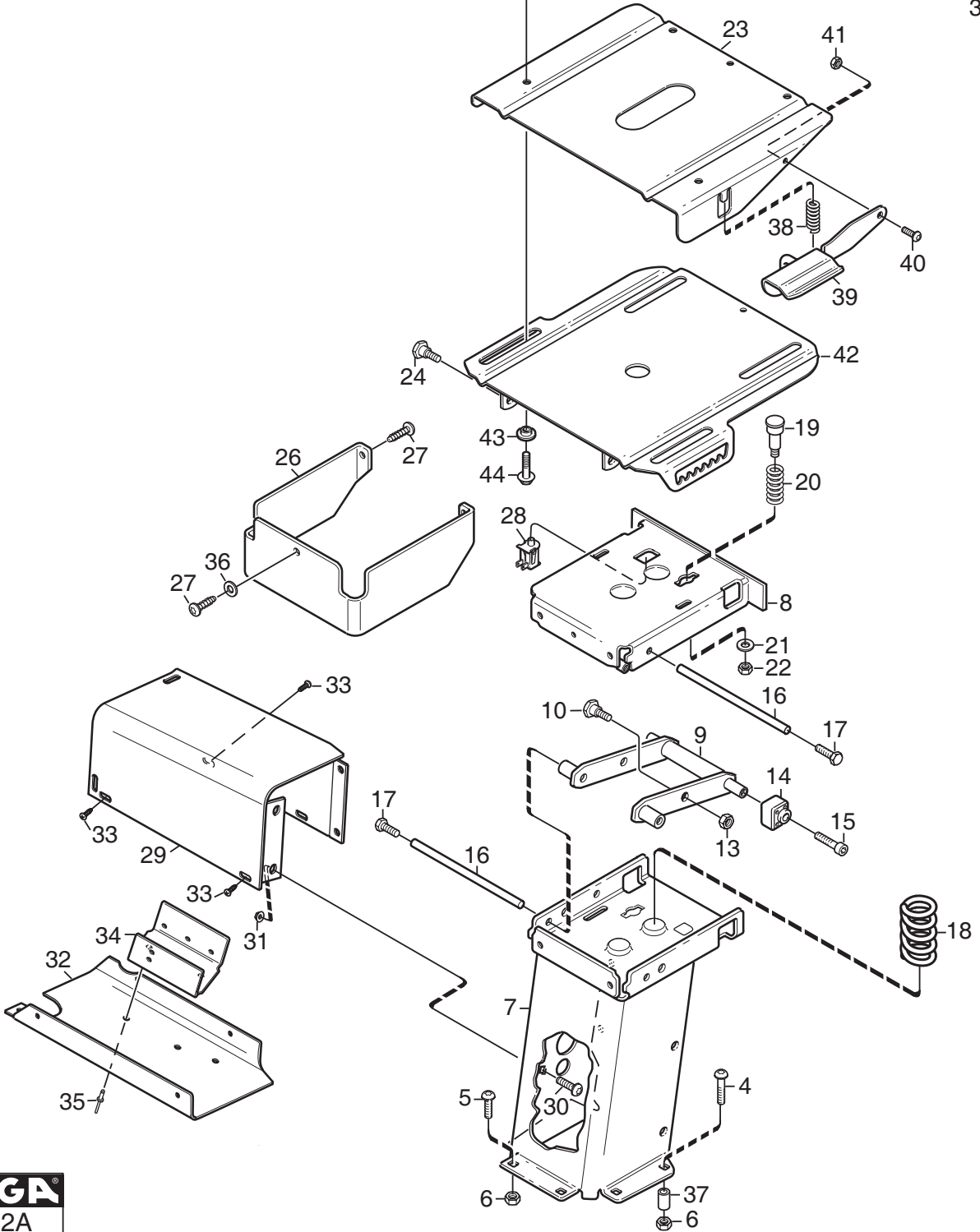
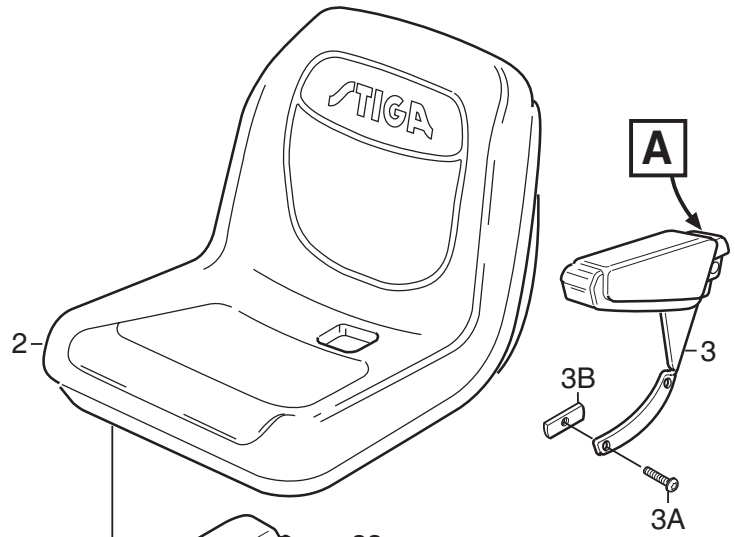
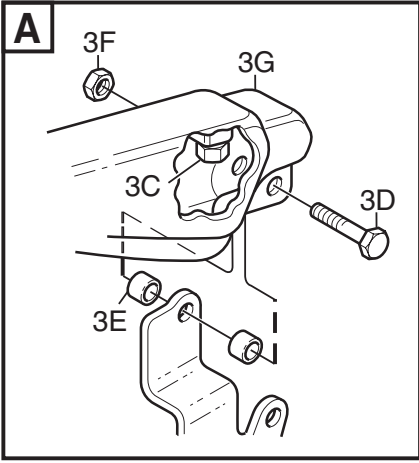
X



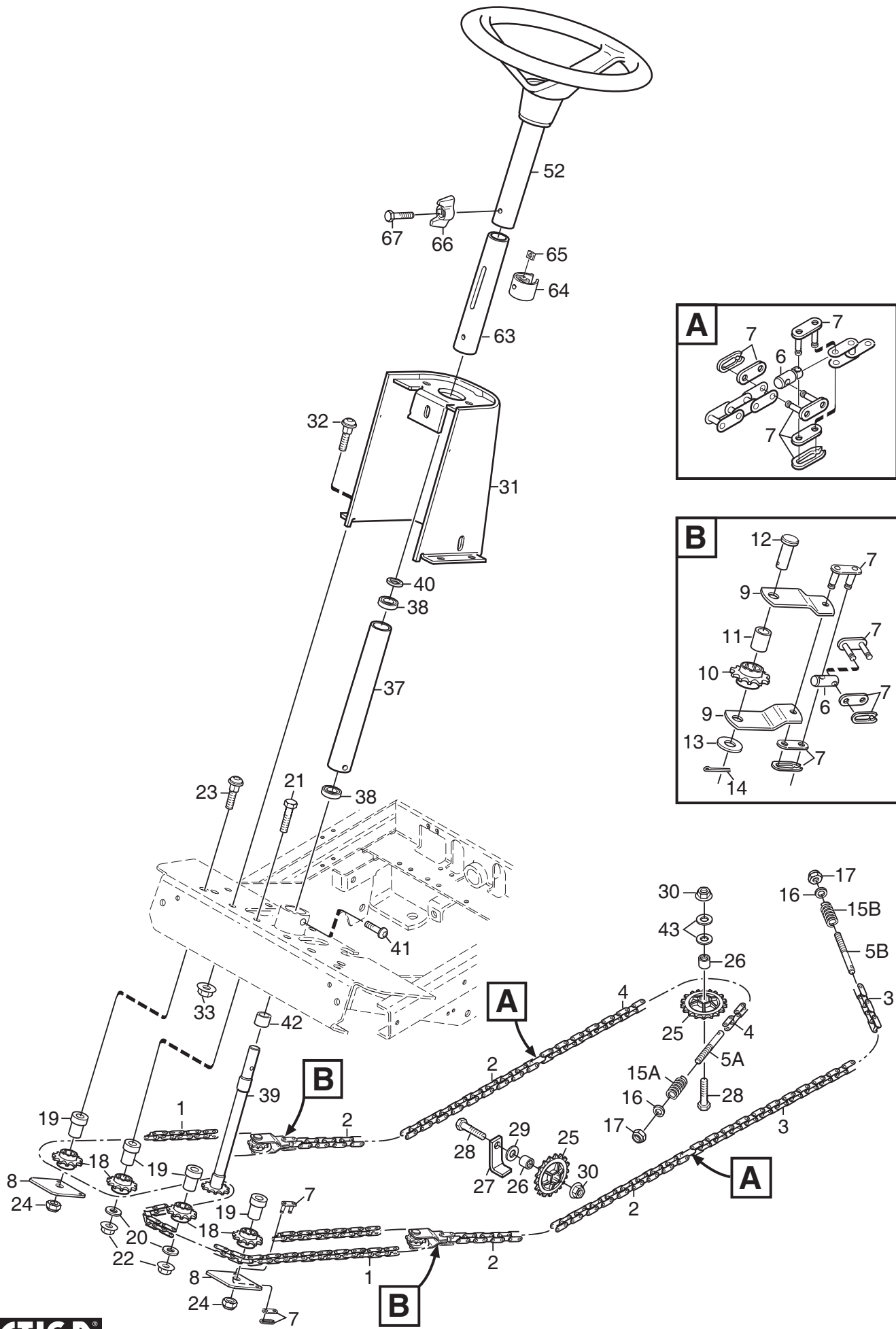
Utgåva Issue 2008- 11		Bildnr Picture No 1792		PARK PRO 4WD PRO 16- PRO BIVOJ- PRO SILVER PEDALLYFT		PARK PRO 4WD PRO 16- PRO BIVOJ- PRO SILVER PEDAL LIFT		Sida Page 156	
Pos. Fig.	Antal/Quantity				Art nr Part No	Benämning	Description	Sats Kit	Anmärkning Notes
	6241 - 14 6242 6245								
1	1				1134-4117-01	Fäste .....	Bracket .....		
2	2				1134-2684-01	Lager .....	Bearing .....		
3	1				1134-4945-01	Lyftspärr kpl .....	Lift catch assy .....		
4	1				9404-0027-01	• O- ring .....	• O- ring .....		
5	1				9650-0039-04	• Seegersäkring .....	• Lock ring .....		
6	1				9595-0276-01	• Spännstift .....	• Locating pin .....		
7	1				9997-0640-12	• Skruv .....	• Screw .....		
8	1				9747-0631-02	• Låsmutter .....	• Lock nut .....		
9	1				9897-0820-16	• Skruv .....	• Screw .....		
10	1				9747-0831-02	Mutter .....	Lock nut .....		
11	1				1134-4860-01	Lyftgaffel .....	Lift fork .....		
12	2				1134-0240-00	Ansatskruv .....	Shoulder screw .....		
13	1				1134-4938-01	Lyftpedal .....	Lift pedal .....		
14	2				9997-0625-16	Skruv .....	Screw .....		
15	2				9739-0631-22	Mutter .....	Nut .....		
16	1				4231-0013-00	Fjäder .....	Spring .....		
17	2				1134-5820-01	Skärringskoppling .....	Hydraulic coupling .....		
17A	1				9404-0028-01	• O- ring .....	• O- ring .....		
18	1				1134-5817-01	Hydraulrör .....	Hydraulic tube .....		



Utgåva Issue 2008- 11		Bildnr Picture No 2210		PARK PRO 4WD SVAN- PRO 20- PRO 25 HYDRAULLYFT		PARK PRO 4WD SVAN- PRO 20- PRO 25 HYDRAULIC LIFT		Sida Page 158	
Pos. Fig.	Antal/Quantity				Art nr Part No	Benämning	Description	Sats Kit	Anmärkning Notes
	6241 -24 6244 6246								
1	1				1134-4117-01	Fäste .....	Bracket .....		Tillbehör/Accessory
2	2				1134-2684-01	Lager .....	Bearing .....		
3	1				1134-6457-01	Lyftarm .....	Lift lever .....		
3A	1				1134-6245-01	Lyftarm .....	Lift lever .....		
4	1				1134-5596-01	Hydraulcylinder .....	Hydraulic cylinder .....		
5	1				1134-4815-01	Cylinderfäste .....	Cylinder bracket .....		
7	2				9893-0616-16	Skruv .....	Screw .....		
8	1				1134-4816-01	Sprint .....	Pin .....		
9	1				9598-0002-02	Låsnål .....	Pin lock .....		
10	1				1134-4817-01	Kolvstångssprint .....	Pin .....		
11	1				9599-0054-02	Saxpinne .....	Cotter pin .....		
17	1				1134-4824-01	Adapter .....	Adapter .....	1/4" x 1/8"	
18	1				1134-4948-01	Tredobricka .....	Seal washer .....	1/4"	
19	1				1134-6299-01	Hydraulslang .....	Hydraulic tube .....		
20	1				1134-4826-01	Banjoskruv .....	Banjo bolt .....	1/8"	
21	2				1134-4947-01	Kopparbricka .....	Copper washer .....		
22	1				1134-4825-01	Adapter .....	Adapter .....	1/8" x 1/8"	
23	1				1134-4947-01	Kopparbricka .....	Copper washer .....		
24	1				1134-6298-01	Hydraulslang .....	Hydraulic tube .....		
25	1				1134-4824-01	Adapter .....	Adapter .....	1/4" x 1/8"	
26	1				1134-4948-01	Tredobricka .....	Seal washer .....	1/4"	
29	1				1134-4282-01	Hydraulnippel .....	Hydraulic nipple .....	9/16" x 9/16"	
29A	1				9404-0028-01	• O-ring .....	• O-ring .....		
30	4				9579-0003-00	Buntband .....	Cable holder .....		
37	1				1134-6345-01	• Spak .....	• Lever .....		
38	1				1134-2551-01	Reglageknopp .....	Knob .....		
39	1				9739-0831-22	Mutter .....	Nut .....		
40	1				1134-6294-01	Handspaksventil .....	Hand operated valve .....	Inkl. pos 37	
41	2				1134-6364-01	Distans .....	Spacer .....		
42	2				9997-0660-12	Skruv .....	Screw .....		
43	2				9739-0631-22	Mutter .....	Nut .....		
44	1				1134-6328-01	Frontfäste .....	Panel bracket- front .....		
45	1				1134-6296-01	Hydraulslang .....	Hydraulic tube .....		
46	2				1134-6323-01	Banjobult .....	Banjo bolt .....		
47	4				1134-4948-02	Tredobricka .....	Tredo washer .....		
50	1				1134-6295-01	Hydraulslang .....	Hydraulic tube .....		



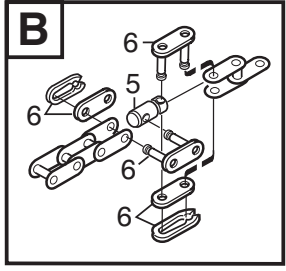
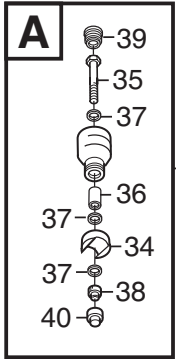
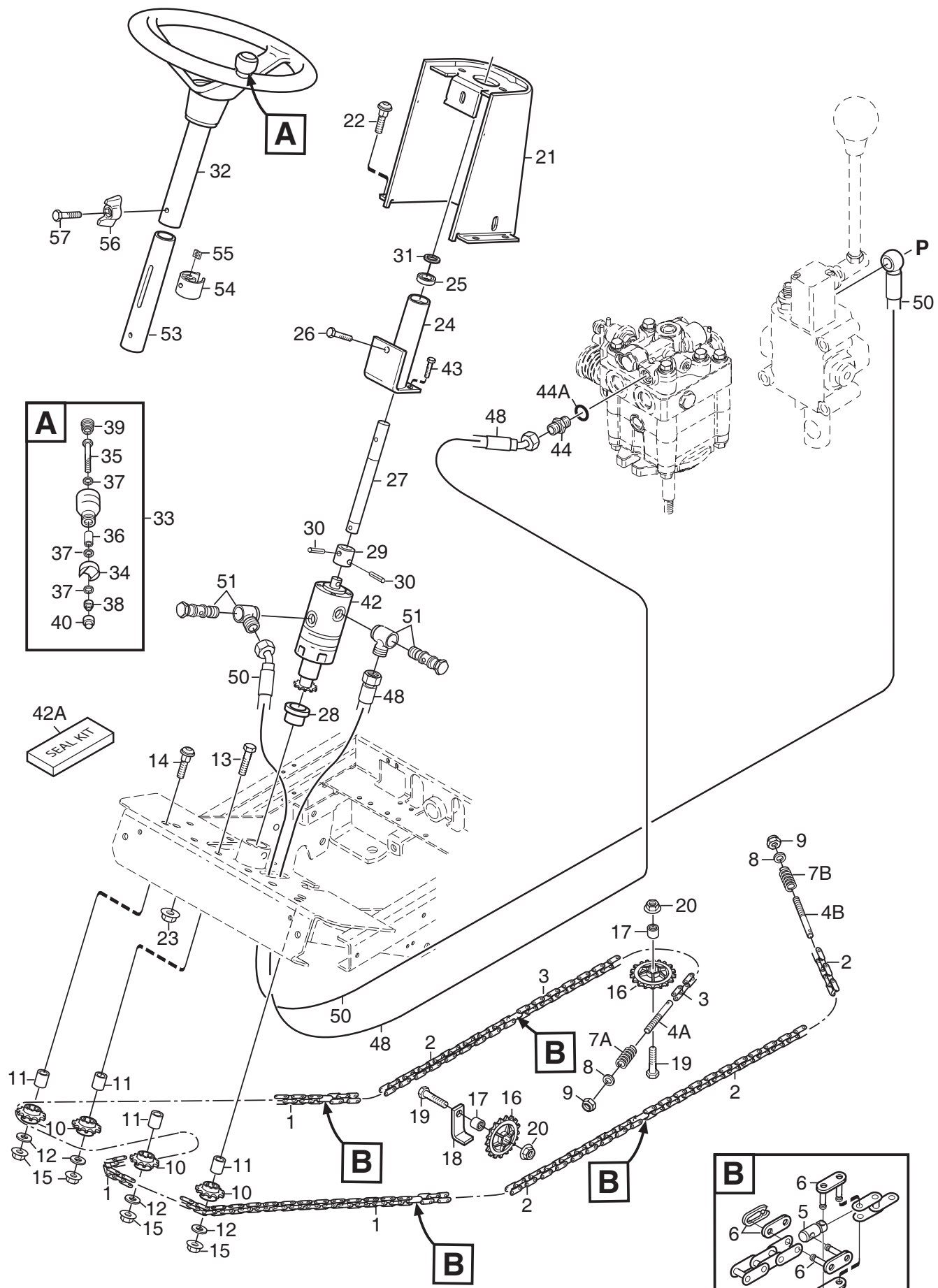
Utgåva Issue		Bildnr Picture No		PARK PRO 4WD SITS		PARK PRO 4WD SEAT		Sida Page	
2008- 11		2032A						160	
Pos. Fig.	Antal/Quantity			Art nr Part No	Benämning	Description	Sats Kit	Anmärkning Notes	
	6241 - 14 6242 6245	6241 - 24 6244 6246							
2	1	1		1134-6445-01	Sits .....	Seat.....			
3		1		1134-4225-01	Armstöd kpl.....	Arm rests assy.....			
3A		6		1134-5095-01	• Skruv .....	• Button head screw .....			
3B		6		1134-5096-01	• Mutter .....	• Tab nut .....			
3C		2		9988-3713-16	• Skruv .....	• Screw .....			
3D		2		9988-3745-12	• Skruv .....	• Screw .....			
3E		4		1134-5094-01	• Distans .....	• Spacer .....			
3F		2		9795-3731-02	• Mutter .....	• Nut .....			
3G		2		1134-5879-01	• Armstödsdyna .....	• Arm rest pad .....			
4	2	2		9897-0880-12	Skruv .....	Screw .....		L = 80 mm	
5	4	4		9897-0820-16	Skruv .....	Screw .....		L = 20 mm	
6	6	6		9747-0831-02	Mutter .....	Lock nut .....			
7	1	1		1134-5695-02	Sitskonsol.....	Seat bracket .....			
8	1	1		1134-6080-01	Platta- övre .....	Plate- upper .....			
9	2	2		1134-6076-01	Länkarm .....	Pivot link .....			
10	2	2		1134-0240-00	Ansatssskruv.....	Shoulder screw .....			
13	2	2		9747-0831-02	Mutter .....	Lock nut .....			
14	4	4		1134-4084-01	Glidsko .....	Slide block .....			
15	4	4		9939-0816-16	Skruv .....	Screw .....			
16	2	2		1134-4082-03	Axel .....	Shaft .....			
17	4	4		9959-0820-16	Skruv .....	Screw .....			
18	2	2		1134-4160-01	Fjäder.....	Seat spring.....			
19	1	1		1134-4153-01	Tryckpinne.....	Push pin.....			
20	1	1		1134-4159-01	Fjäder.....	Spring .....			
21	1	1		9699-0056-02	Planbricka.....	Flat washer.....			
22	1	1		9747-0831-02	Mutter .....	Lock nut .....			
23	1	1		1134-6090-01	Glidplatta .....	Slide plate .....			
24	2	2		1134-0240-00	Ansatssskruv.....	Shoulder screw .....			
26	1	1		1134-6121-01	Svep .....	Cover .....			
27	3	3		9852-8013-16	Skruv .....	Screw .....			
28	1	1		1134-3156-01	Brytare (svart) .....	Switch (black) .....			
29	1	1		1134-3990-01	Armsvep .....	Attachment- side panel.....			
30	2	2		9897-0820-16	Skruv .....	Screw .....			
31	2	2		9739-0831-22	Mutter .....	Nut .....			
32	1	1		1134-4130-01	Lock- undre .....	Cover- lower .....			
33	4	4		9840-8019-16	Skruv .....	Screw .....			
34	1	1		1134-4135-01	Relåhållare.....	Relay holder .....			
35	2	2		9632-0522-00	Popnit .....	Pop rivet .....			
36	1	1		9699-0087-02	Planbricka.....	Flat washer.....			
37	2	2		1134-1565-08	Distans .....	Spacer .....			
38	1	1		1134-3262-01	Tryckfjäder.....	Compression spring.....			
39	1	1		1134-6073-01	Handtag .....	Handle .....			
40	1	1		9893-0616-16	Skruv .....	Screw .....			
41	1	1		9747-0631-02	Låsmutter .....	Lock nut .....			
42	1	1		1134-6071-01	Glidplatta- undre .....	Slide plate- lower.....			
43	4	4		1134-6078-01	Ansatsbricka .....	Flange washer .....			
44	4	4		9959-0820-16	Skruv .....	Screw .....			





Utgåva Issue		Bildnr Picture No		PARK PRO 4WD PRO 16- PRO BIVOJ- PRO SILVER STYRNING		PARK PRO 4WD PRO 16- PRO BIVOJ- PRO SILVER STEERING		Sida Page	
2008- 11		1796A						162	
Pos. Fig.	Antal/Quantity				Art nr Part No	Benämning	Description	Sats Kit	Anmärkning Notes
	6241 - 14 6242 6245								
1	1				1134- 6374- 10	Kedja .....	Chain .....		129 länk 35 länk 41 länk 47 länk L = 110 mm L = 90 mm  L = 58 mm L = 33 mm
2	2				1134- 6374- 09	Kedja .....	Chain .....		
3	1				1134- 6374- 02	Kedja .....	Chain .....		
4	1				1134- 6374- 05	Kedja .....	Chain .....		
5A	1				1134- 3550- 01	Ändnippel .....	End nipple .....		
5B	1				1134- 3550- 02	Ändnippel .....	End nipple .....		
6	4				1134- 3565- 01	Skarvnippel .....	Connection nipple .....		
7	12				1134- 2824- 02	Kedjelås .....	Chain lock .....		
8	2				1134- 5652- 01	Fäste .....	Attachment .....		
9	4				1134- 5651- 01	Bygel .....	Bracket .....		
10	2				1134- 2816- 01	Kedjehjul .....	Sprocket .....		
11	2				1134- 0041- 02	Linhjulshylsa .....	Idler wheel bush .....		
12	2				1134- 4817- 01	Kolvstängssprint .....	Pin .....		
13	2				9699- 0035- 02	Planbricka .....	Flat washer .....		
14	2				9599- 0054- 02	Saxpinne .....	Cotter pin .....		
15A	1				1134- 3817- 01	Tryckfjäder .....	Compression spring .....		
15B	1				1134- 3817- 02	Tryckfjäder .....	Compression spring .....		
16	2				9699- 0090- 02	Planbricka .....	Flat washer .....		
17	2				9747- 0831- 02	Mutter .....	Lock nut .....		
18	4				1134- 2816- 01	Kedjehjul .....	Sprocket .....		
19	4				1134- 5653- 01	Distans .....	Spacer .....		
20	2				9699- 0035- 02	Planbricka .....	Flat washer .....		
21	2				9997- 1060- 12	Skruv .....	Screw .....		
22	2				9739- 1031- 22	Mutter .....	Nut .....		
23	2				9897- 1060- 12	Skruv .....	Screw .....		
24	2				9731- 1031- 22	Mutter .....	Nut .....		
25	3				1134- 3547- 01	Kedjehjul .....	Sprocket .....		
26	3				1134- 0041- 01	Linhjulshylsa .....	Bushing .....		
27	2				1134- 0046- 00	Linhållare .....	Wire clamp .....		
28	3				9997- 1040- 16	Skruv .....	Screw .....		
29	2				9699- 0035- 02	Planbricka .....	Flat washer .....		
30	3				9739- 1031- 22	Mutter .....	Nut .....		
31	1				1134- 4120- 04	Styrkonsol .....	Steering console .....		
32	4				9897- 0820- 16	Skruv .....	Screw .....		
33	4				9739- 0831- 22	Mutter .....	Nut .....		
37	1				1134- 3085- 01	Rattrör- nedre .....	Steering column- lower .....		
38	2				9549- 0017- 00	Kullager .....	Ball bearing .....		
39	1				1134- 5691- 01	Rattstång .....	Steering rod .....		
40	1				9695- 0011- 00	Bricka .....	Washer .....		
41	2				9893- 0616- 16	Skruv .....	Screw .....		
42	1				1134- 2837- 03	Distans .....	Spacer .....		
43	2				9699- 0035- 02	Planbricka .....	Flat washer .....		
52	1				1134- 5173- 01	Ratt .....	Steering wheel .....		
63	1				1134- 5216- 01	Rattrör- inre kpl .....	Steering tube- inner .....		
64	1				1134- 5177- 01	• Slid .....	• Slide .....		
65	1				9710- 0631- 12	• Fyrkantmutter .....	• Square nut .....		
66	1				1134- 4481- 02	Vingmutter .....	Wing nut .....		
67	1				9997- 0630- 12	Skruv .....	Screw .....		

X

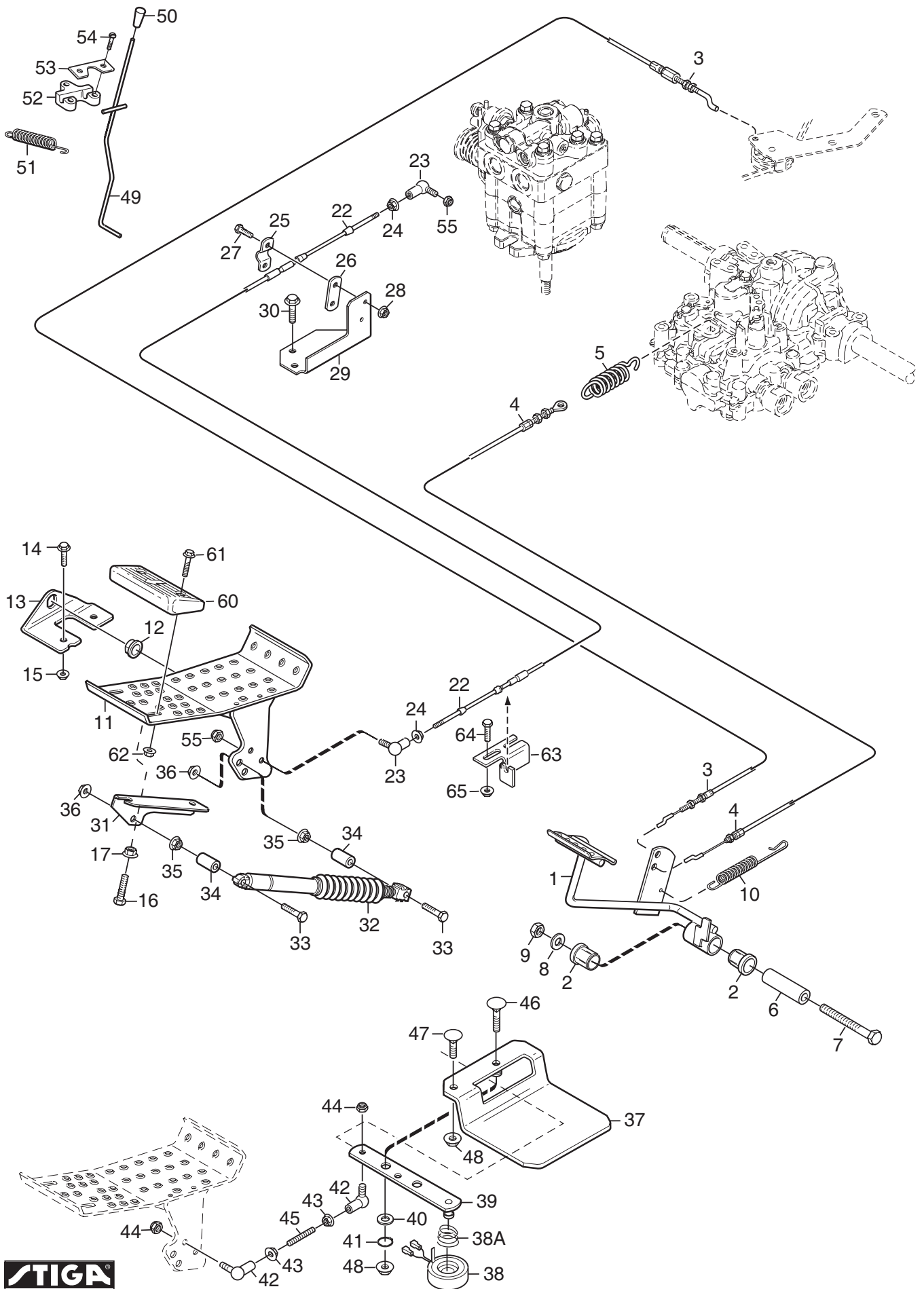


Utgåva Issue 2008- 11		Bildnr Picture No 2213A		PARK PRO 4WD SVAN- PRO 20- PRO 25 STYRNING		PARK PRO 4WD SVAN- PRO 20- PRO 25 STEERING		Sida Page 164	
Pos. Fig.	Antal/Quantity				Art nr Part No	Benämning	Description	Sats Kit	Anmärkning Notes
	6241 -24 6244 6246								
1	1				1134- 6374- 06	Kedja .....	Chain .....		83 länk
2	3				1134- 6374- 02	Kedja .....	Chain .....		41 länk
3	1				1134- 6374- 04	Kedja .....	Chain .....		45 länk
4A	1				1134- 3550- 01	Ändnippel .....	End nipple .....		L = 110 mm
4B	1				1134- 3550- 02	Ändnippel .....	End nipple .....		L = 90 mm
5	4				1134- 3565- 01	Skarvnippel.....	Connection nipple .....		
6	10				1134- 2824- 02	Kedjelås .....	Chain lock .....		
7A	1				1134- 3817- 01	Tryckfjäder.....	Compression spring.....		L = 58 mm
7B	1				1134- 3817- 02	Tryckfjäder.....	Compression spring.....		L = 33 mm
8	2				9699- 0090- 02	Planbricka.....	Flat washer.....		
9	2				9747- 0831- 02	Mutter.....	Lock nut .....		
10	4				1134- 2816- 01	Kedjehjul.....	Sprocket.....		
11	4				1134- 0041- 02	Linhjulshylsa .....	Idler wheel bush.....		
12	4				9699- 0035- 02	Planbricka.....	Flat washer.....		
13	2				9997- 1050- 16	Skruv .....	Screw .....		
14	2				9897- 1040- 12	Skruv .....	Screw .....		
15	4				9739- 1031- 22	Mutter.....	Nut .....		
16	3				1134- 3547- 01	Kedjehjul.....	Sprocket.....		
17	3				1134- 0041- 01	Linhjulshylsa .....	Bushing.....		
18	2				1134- 0046- 00	Linhållare.....	Wire clamp.....		
19	3				9997- 1030- 16	Skruv .....	Screw .....		
20	3				9739- 1031- 22	Mutter.....	Nut .....		
21	1				1134- 4120- 04	Styrkonsol .....	Steering console .....		
22	4				9897- 0820- 16	Skruv .....	Screw .....		
23	4				9739- 0831- 22	Mutter.....	Nut .....		
24	1				1134- 4113- 02	Rattrör- nedre .....	Steering tube- lower .....		
25	1				9549- 0017- 00	Kullager .....	Ball bearing .....		
26	1				9945- 0816- 16	Skruv .....	Screw .....		
27	1				1134- 4087- 01	Rattstång .....	Steering rod .....		
28	1				1134- 4114- 01	Bussning .....	Bushing.....		
29	1				1134- 4118- 01	Koppling .....	Coupling.....		
30	2				9595- 0256- 01	Spännstift .....	Pin .....		
31	1				9695- 0011- 00	Bricka .....	Washer.....		
32	1				1134- 5173- 02	Ratt kpl.....	Steering wheel assy .....		
33	1				1134- 3769- 01	• Styrknopp kpl .....	• Steering wheel button .....		
34	1				1134- 3752- 01	•• Knoppfäste.....	•• Knob holder.....		
35	1				9997- 0870- 16	•• Skruv .....	•• Screw .....		
36	1				1134- 1565- 06	•• Distans.....	•• Spacer .....		
37	3				9699- 0090- 02	•• Planbricka .....	•• Flat washer .....		
38	1				9747- 0831- 02	•• Mutter.....	•• Lock nut .....		
39	1				9403- 0043- 70	•• Plugg .....	•• Plug.....		
40	1				9403- 0113- 00	•• Mutterhatt.....	•• Nut cap .....		
42	1				1134- 6420- 01	Momentförstärkare.....	Steering booster .....		
42A	1				1139- 2074- 01	Reparationssats.....	Seal kit .....		
43	3				9939- 0612- 16	Skruv .....	Screw .....		
44	1				1134- 4282- 01	Hydraulnippel .....	Hydraulic nipple .....		9/16" x 9/16"
44A	1				9404- 0028- 01	• O- ring.....	• O- ring .....		
48	1				1134- 5757- 01	Hydraulslang .....	Hydraulic tube.....		
50	1				1134- 6295- 01	Hydraulslang .....	Hydraulic tube.....		
51	2				1134- 5100- 01	Banjokoppling.....	Banjo nipple .....		
53	1				1134- 5216- 01	Rattrör- inre kpl .....	Steering tube- inner.....		
54	1				1134- 5177- 01	• Slid .....	• Slide.....		
55	1				9710- 0631- 12	• Fyrkantmutter .....	• Square nut .....		
56	1				1134- 4481- 02	Vingmutter.....	Wing nut .....		
57	1				9997- 0630- 12	Skruv .....	Screw .....		

X

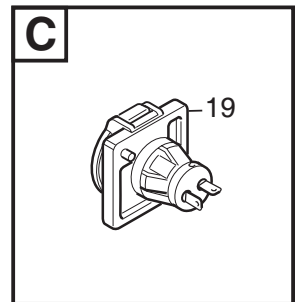
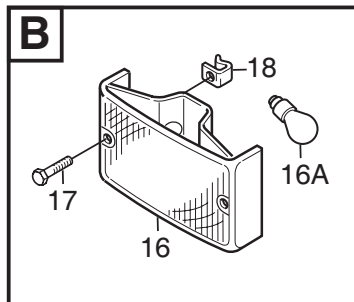
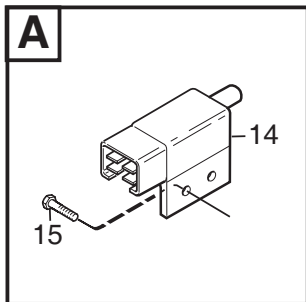
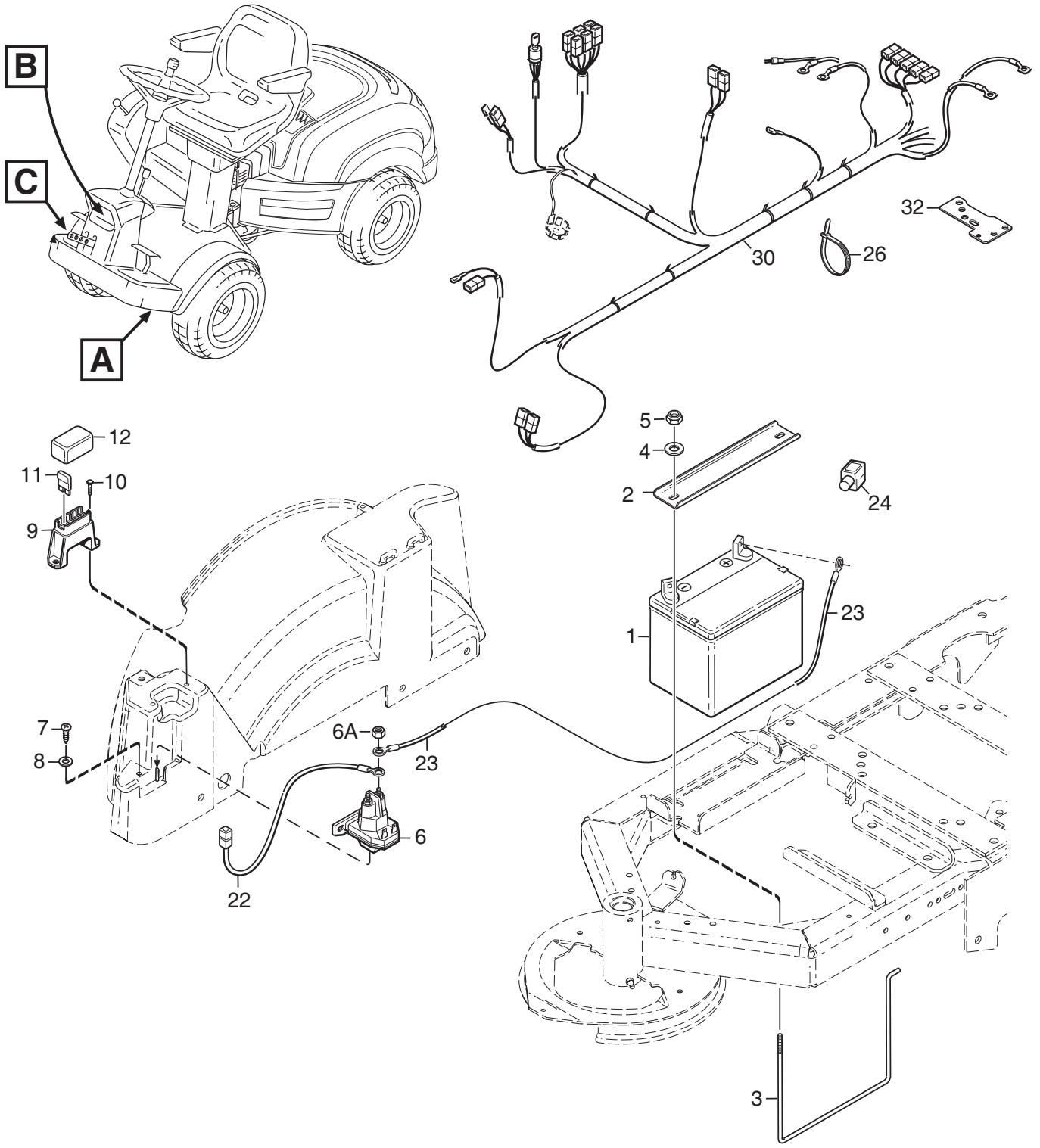


Utgåva Issue		Bildnr Picture No		PARK PRO 4WD HANDREGLAGE		PARK PRO 4WD HAND CONTROLS		Sida Page	
2008- 11		1798B						166	
Pos. Fig.	Antal/Quantity			Art nr Part No	Benämning	Description	Sats Kit	Anmärkning Notes	
	6241 - 14 6242 6245	6241 - 24 6244 6246							
1A	1			1134-4156-01	Vinkelhållare .....	Panel bracket- inner .....			
1B		1		1134-6324-01	Vinkelhållare .....	Panel bracket .....			
2	2	2		9897-0820-16	Skruv .....	Screw .....			
3	2	2		9739-0831-22	Mutter .....	Nut .....			
9	1	1		1134-4077-01	Gasreglage.....	Throttle control .....			
10	1	1		1134-4078-01	Knopp .....	Knob .....			
11	1	1		1134-0240-00	Ansatskruv.....	Shoulder screw .....			
12	2	2		1134-4242-01	Distansbricka.....	Spacer washer .....			
13	1	1		9694-0001-00	Fjäderbricka .....	Washer .....			
14	1	1		9747-0831-02	Mutter .....	Lock nut .....			
15	1	1		1134-4195-03	Gaswire .....	Throttle cable .....			
16	1	1		9500-9991-00	Wireklämma .....	Cable clamp .....			
17	1	1		9943-0516-16	Skruv .....	Screw .....			
25	1	1		1134-6328-01	Frontfäste .....	Panel bracket- front.....			
26	2	2		9893-0616-16	Skruv .....	Screw .....			
27	1	1		1134-6327-01	Frontplåt .....	Front plate .....			
28	4	4		9893-0616-16	Skruv .....	Screw .....			
34	1	1		1134-2871-03	Relä .....	Relay .....			
35	2	2		1134-2871-01	Relä .....	Relay .....			
36	3	3		9997-0512-16	Skruv .....	Screw .....			
37	3	3		9739-0531-22	Mutter .....	Nut .....			
38	1			1134-6096-07	Kassett.....	Control panel.....			
38		1		1134-6096-08	Kassett.....	Dashboard .....			
39	4	4		9946-0525-16	Skruv .....	Screw .....			
40	1	1		1134-4129-01	Täckbricka .....	Cover .....			
42	1	1		1134-4093-01	Tändningslås .....	Ignition switch .....			
45	1	1		1134-4749-01	Mutter .....	Nut .....			
46	1	1		1134-2872-01	Chokereglage.....	Choke control.....			
46A	1	1		1134-4338-01	• Reglageknopp.....	• Control knob .....			
47	2	2		9699-0090-02	Planbricka.....	Flat washer.....			
48	4	4		9400-0282-01	Brytare m.diod.....	Switch w.diode.....			
49	1	1		9400-0280-02	Vippa- farthållare .....	Cover- cruise control.....			
50	1	1		9400-0280-03	Vippa- höjdställning .....	Cover- height adjust .....			
51	1	1		9400-0280-01	Vippa- kraftuttag .....	Cover- PTO .....			
52	1	1		9400-0280-04	Vippa- redskap bak .....	Cover- rear tools .....			
53	1	1		9400-0283-01	Brytare.....	Switch .....			
54	1	1		9400-0280-05	Vippa- 12V .....	Cover- 12V .....			
55	1	1		1134-6097-01	Timräknare .....	Hour meter.....			
99	1	1		9400-0290-01	Verktyg f.vippa.....	Tool for cover.....		Tillbehör/Accessory	



Utgåva Issue		Bildnr Picture No		PARK PRO 4WD FOTREGLAGE		PARK PRO 4WD FOOT CONTROLS		Sida Page	
2008- 11		2211A						168	
Pos. Fig.	Antal/Quantity			Art nr Part No	Benämning	Description	Sats Kit	Anmärkning Notes	
	6241 - 14 6242 6245	6241 - 24 6244 6246							
1	1	1		1134-5655-01	Broms/kopplingspedal.....	Brake/clutch pedal.....		Sats 4 st/kit of 4	
2	1	1		1134-9024-01	Lager.....	Bearing.....			
3	1	1		1134-5815-01	Kopplingswire.....	Clutch cable.....			
4	1	1		1134-6020-01	Bromswire.....	Brake cable.....			
5	1	1		1134-5989-01	Fjäder.....	Spring.....			
6	1	1		1134-5677-02	Distans.....	Spacer.....			
7	1	1		9997-1070-12	Skruv.....	Screw.....			
8	1	1		9699-0030-02	Planbricka.....	Flat washer.....			
9	1	1		9739-1031-22	Mutter.....	Nut.....			
10	1	1		4231-0013-00	Fjäder.....	Spring.....			
11	1	1		1134-6353-01	Drivpedal.....	Drive pedal.....			
12	2	2		1134-6313-01	Lager.....	Bearing.....			
13	2	2		1134-2700-01	Fäste.....	Bracket.....			
14	2	2		9959-0820-16	Skruv.....	Screw.....			
15	2	2		9739-0831-22	Mutter.....	Nut.....			
16	1	1		9997-0835-16	Skruv.....	Screw.....			
17	1	1		9739-0831-22	Mutter.....	Nut.....			
22	1	1		1134-2766-08	Reglagewire.....	Control cable.....			
23	2	2		9570-0001-00	Vinkellänk.....	Elbow link.....			
24	2	2		9739-0531-22	Mutter.....	Nut.....			
25	1	1		1134-0266-00	Fästbygel.....	Attaching clamp.....			
26	1	1		1134-0267-00	Underläggsbleck.....	Clamp plate.....			
27	2	2		9997-0520-16	Skruv.....	Screw.....			
28	2	2		9739-0531-22	Mutter.....	Nut.....			
29	1	1		1134-5689-01	Wirekonsol.....	Cable bracket.....			
30	2	2		9945-0816-16	Skruv.....	Screw.....			
31	1	1		1134-3996-01	Fäste.....	Bracket.....			
32	1	1		1134-4187-01	Dämpare.....	Damper.....			
33	2	2		9997-0840-16	Skruv.....	Screw.....			
34	2	2		1134-1565-09	Distans.....	Spacer.....			
35	2	2		9739-0831-22	Mutter.....	Nut.....			
36	2	2		9747-0831-02	Mutter.....	Lock nut.....			
37	1	1		1134-6356-01	Farthållarplåt.....	Speed control plate.....			
38	1	1		1134-2859-02	Magnet kpl.....	Magneto assy.....			
38A	1	1		1134-2858-01	• Fjäder.....	• Spring.....			
39	1	1		1134-6358-01	Arm.....	Lever.....			
40	1	1		9699-0036-02	Planbricka.....	Flat washer.....			
41	1	1		9650-0012-04	Seegersäkkring.....	Circlip.....			
42	2	2		9570-0001-00	Vinkellänk.....	Elbow link.....			
43	2	2		9739-0531-22	Mutter.....	Nut.....			
44	2	2		9747-0531-02	Mutter.....	Nut.....			
45	1	1		1134-6361-02	Skruvstång.....	Screw rod.....			
46	1	1		9897-0640-12	Skruv.....	Screw.....			
47	1	1		9897-0616-16	Vagnsbult.....	Carriage bolt.....			
48	2	2		9739-0631-22	Mutter.....	Nut.....			
49	1	1		1134-5101-01	Bromsstång.....	Brake rod.....			
50	1	1		1134-3808-01	Knopp.....	Knob.....			
51	1	1		1131-1497-01	Fjäder.....	Spring.....			
52	1	1		1134-4002-01	Fäste.....	Brake rod attachment.....			
53				1134-4944-01	Plåt.....	Stop plate.....			
54	3	3		9838-9516-12	Skruv.....	Screw.....			
55	2	2		9747-0531-02	Mutter.....	Nut.....			
60	2	2		1134-6340-02	Fotstöd.....	Foot rest.....			
61	4	4		9959-0620-16	Skruv.....	Screw.....			
62	4	4		9739-0631-22	Mutter.....	Nut.....			
63	1	1		1134-6317-01	Wirefäste.....	Cable holder.....			
64	2	2		9959-0620-16	Skruv.....	Screw.....			
65	2	2		9739-0631-22	Mutter.....	Nut.....			

X

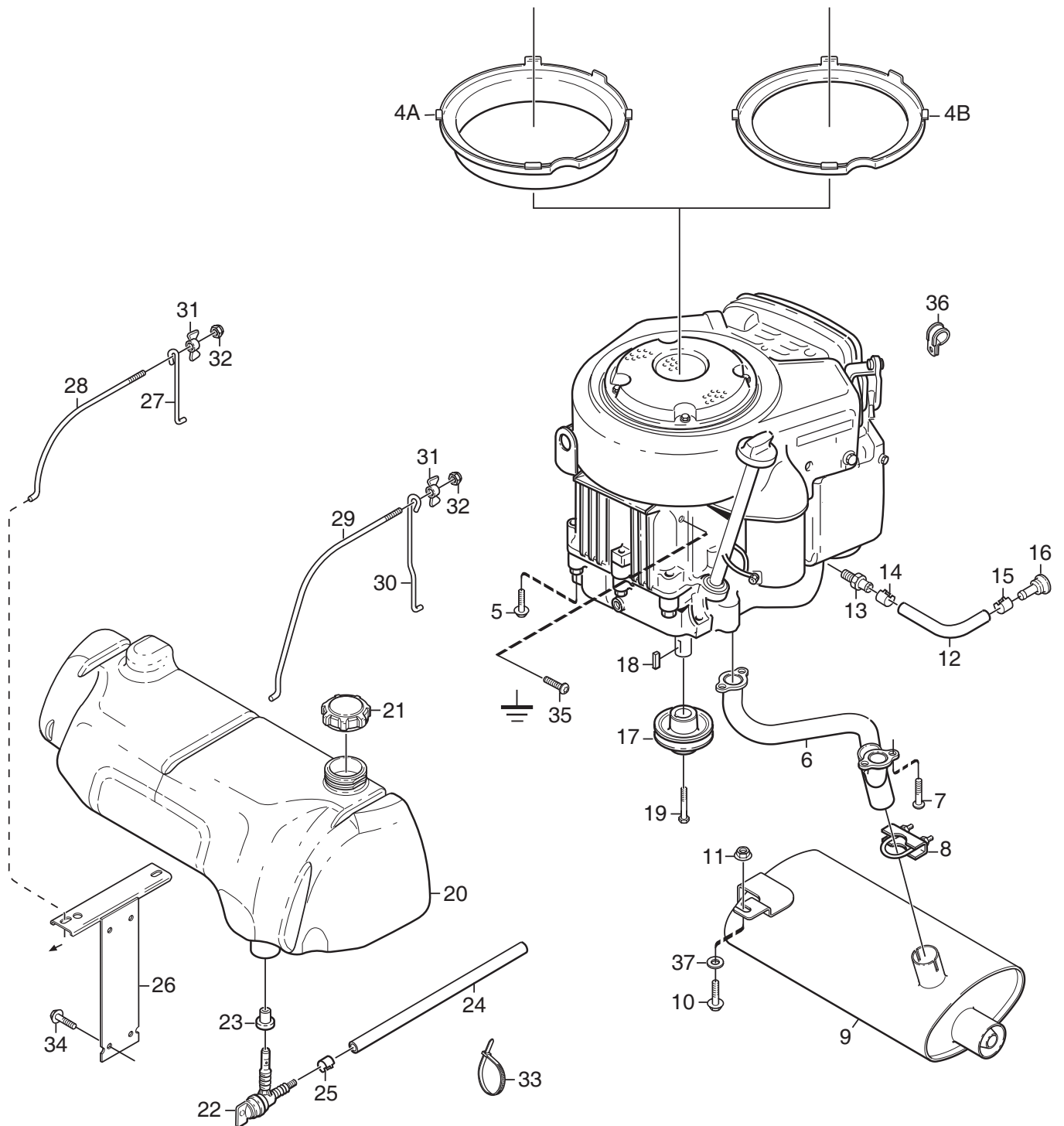




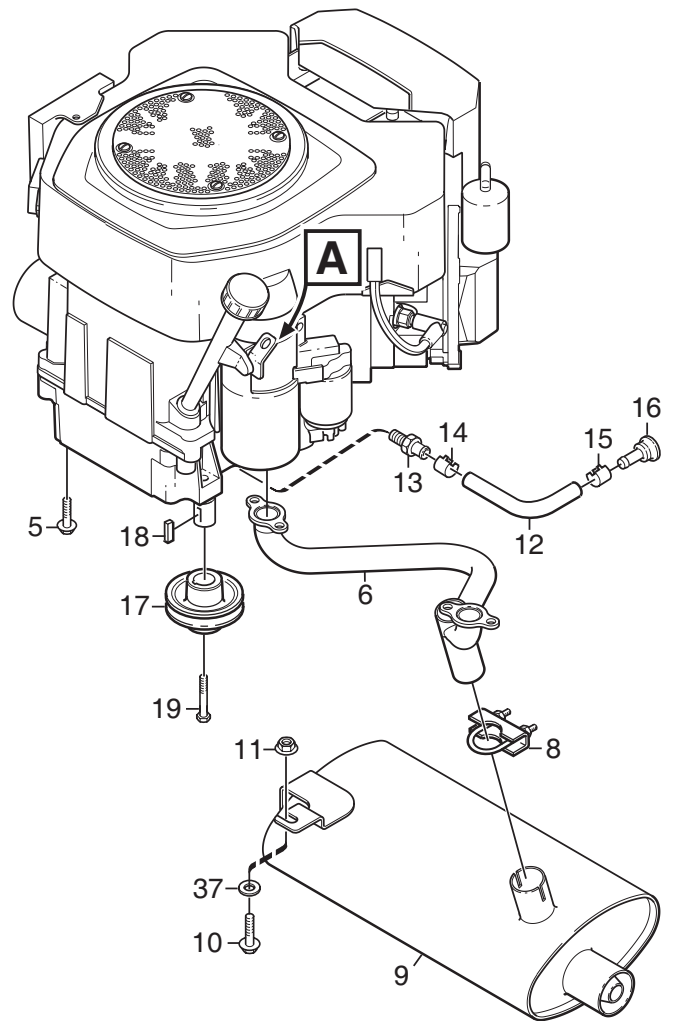
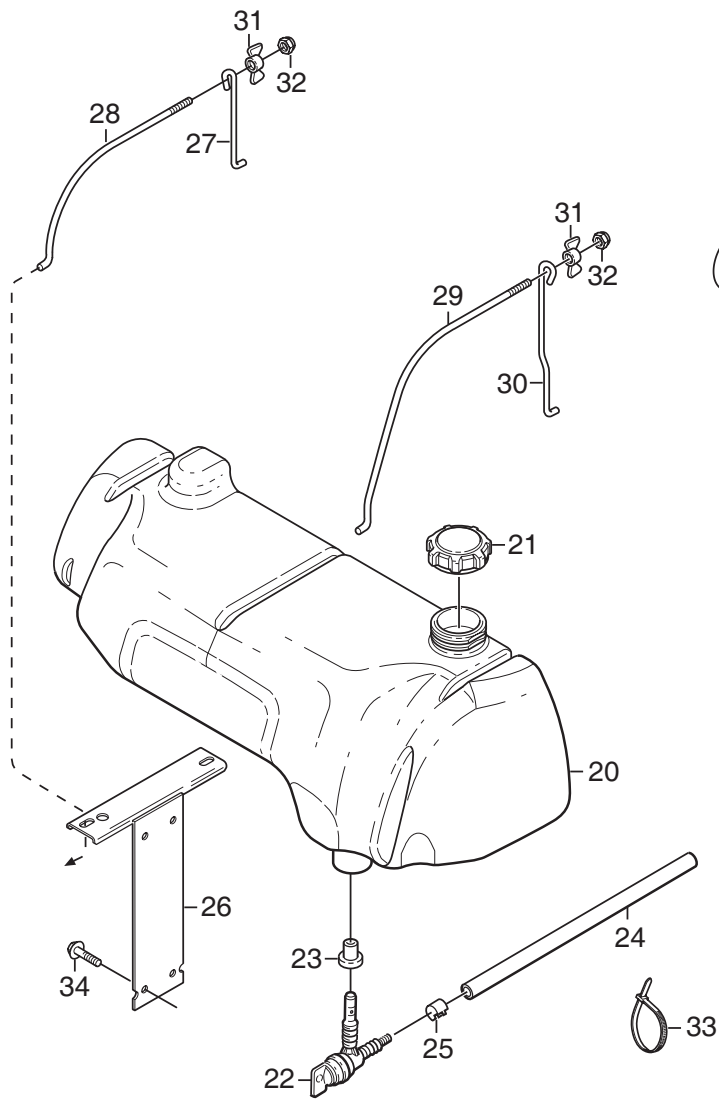
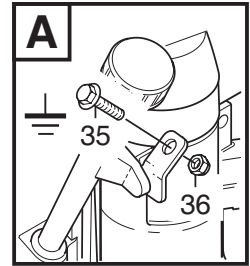
Utgåva Issue		Bildnr Picture No		PARK PRO 4WD ELUTRUSTNING		PARK PRO 4WD EL. EQUIPMENT		Sida Page	
2008- 11		1800B						170	
Pos. Fig.	Antal/Quantity				Art nr Part No	Benämning	Description	Sats Kit	Anmärkning Notes
	6241 - 14 6242 6245	6241 - 24	6244 6246						
1	1	1	1		1134-5751-01	Batteri .....	Battery .....		12V - 24Ah
2	1	1	1		1134-5643-01	Batteriplåt .....	Battery plate .....		
3	1	1	1		1134-5642-01	Batteribyggel .....	Battery loop .....		
4	1	1	1		9699-0060-02	Planbricka .....	Flat washer .....		
5	1	1	1		9747-0631-02	Låsmutter .....	Lock nut .....		
6	1	1	1		1134-2962-01	Solenoid kpl .....	Solenoid assy .....		
6A	2	2	2		9794-5131-02	• Mutter .....	• Nut .....		
7	1	1	1		9838-9516-12	Skruv .....	Screw .....		
8	1	1	1		9699-0060-02	Planbricka .....	Flat washer .....		
9	1	1	1		1134-3491-01	Säkringshållare .....	Fuse holder .....		
10	2	2	2		9838-9516-12	Skruv .....	Screw .....		
11	1	1	1		1134-3496-01	Säkring .....	Fuse .....	10A	
11	1	1	1		1134-3496-06	Säkring .....	Fuse .....	20A	
11	1	1	1		1134-3496-07	Säkring .....	Fuse .....	30A	
12	1	1	1		1134-3631-01	Lock-säkringsdosa .....	Cover-fuse holder .....		
14	1	1	1		1134-3399-01	Brytare .....	Switch .....		
15	2	2	2		9943-0516-16	Skruv .....	Screw .....		
16	1	1	1		1134-4172-01	Strålkastare kpl .....	Headlamp assy .....		
16A	1	1	1		9400-0293-01	• Glödlampa .....	• Bulb .....	12V - 21W	
17	2	2	2		9849-7819-16	Skruv .....	Screw .....		
18	2	2	2		1134-4177-01	Clips .....	Clips .....		
19	1	1	1		1134-6291-01	Honkontakt .....	Female terminal .....		
22	1	1	1		1134-4970-01	Kabel .....	Cable .....		
23	1	1	1		1134-0234-02	Batterikabel ( + ) .....	Battery cable ( + ) .....		
24	1	1	1		1134-2310-01	Batteriskydd .....	Guard cap .....		
26	10	10	10		9579-0003-00	Buntband .....	Cable holder .....		
30	1		1		1134-6455-01	Kablage .....	Harness .....		
30		1			1134-6468-01	Kablage .....	Harness .....	Honda-engine	
32	1	1	1		1134-6454-01	Jordplåt .....	Ground plate .....		



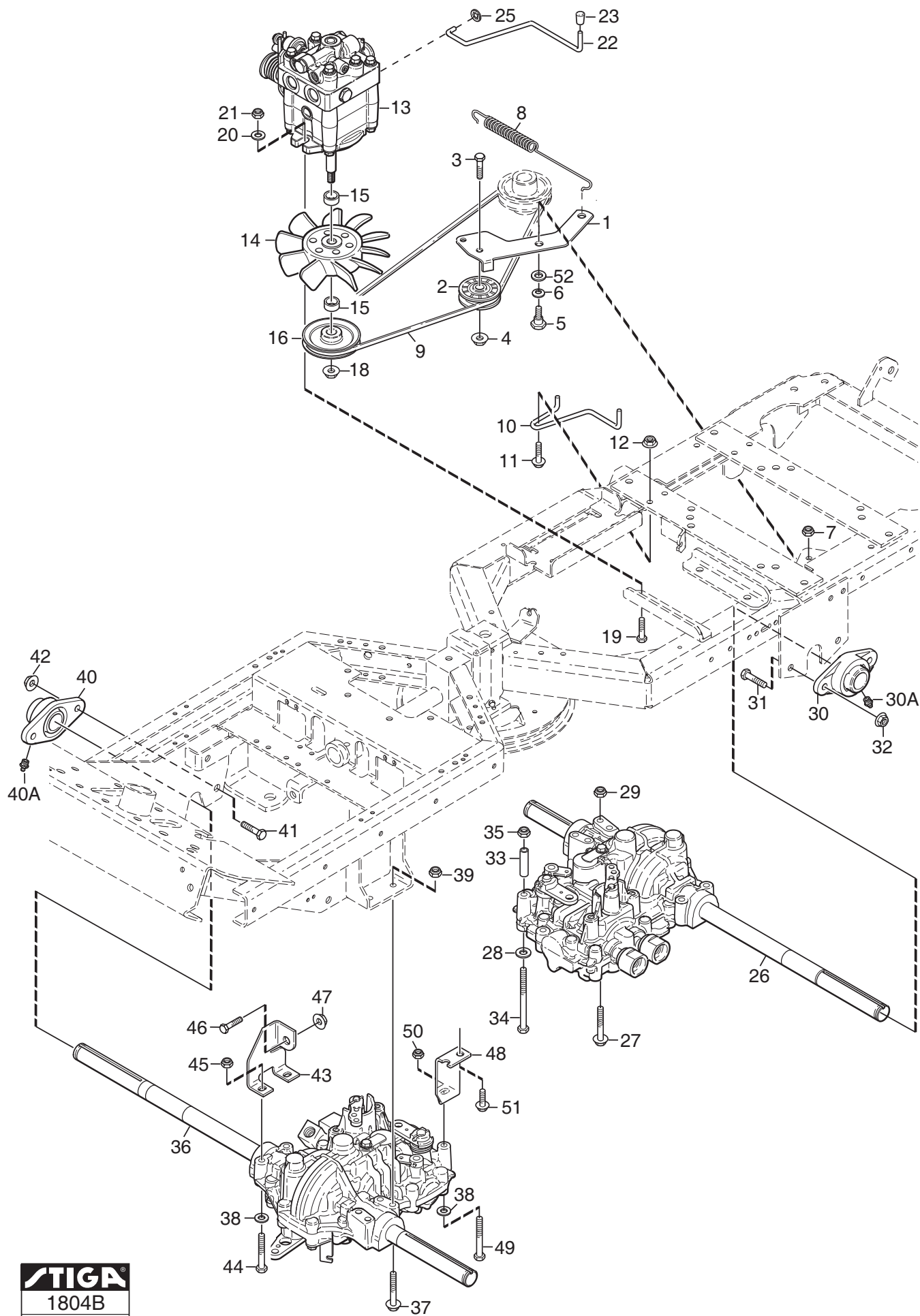
Utgåva Issue	Bildnr Picture No	PARK PRO 4WD PRO SVAN MOTOR (Honda)		PARK PRO 4WD PRO SVAN ENGINE (Honda)		Sida Page			
2008- 11	2013A					172			
Pos. Fig.	Antal/Quantity				Art nr Part No	Benämning	Description	Sats Kit	Anmärkning Notes
	6241 -24								
4	1				1134-5639-02	Luftkanal.....	Air duct .....		Ø = 221, H = 15 mm
5	4				9955-3725-16	Skruv .....	Screw .....		
6	1				1134-5902-01	Grenrör.....	Exhaust pipe .....		
7	4				9939-0820-16	Skruv.....	Screw.....		
8	1				9578-0011-01	Klämma .....	Clamp.....		
9	1				1134-5667-01	Ljuddämpare .....	Muffler .....		
10	1				9959-0820-16	Skruv.....	Screw.....		
11	1				9739-0831-22	Mutter.....	Nut .....		
17	1				1134-5865-01	Motorremskiva .....	Engine belt pulley.....		
18	1				9600-0251-00	Plattkil .....	Key .....		
19	1				9987-5364-12	Skruv.....	Screw.....		
20	1				1134-5644-01	Bensintank.....	Fuel tank .....		14 Liter
21	1				1134-5532-01	Tanklock .....	Fuel tank cap.....		
22	1				1134-3224-01	Bensinkran.....	Fuel shut-off valve .....		
23	1				1134-3225-01	Gummibussning .....	Grommet.....		
24	1				1134-2975-05	Bensinslang .....	Fuel hose.....		L = 460 mm
25	2				9578-0023-02	Slangklämma.....	Hose clamp .....		
26	1				1134-5615-01	Tankkonsol .....	Tank bracket.....		
27	1				1134-5621-01	Tankbygel .....	Tank loop .....		
28	1				1134-5622-01	Tankbygel .....	Tank loop .....		
29	1				1134-5623-01	Tankbygel .....	Tank loop .....		
30	1				1134-5765-01	Tankbygel .....	Tank loop .....		
31	2				1134-4481-02	Vingmutter.....	Wing nut .....		
32	2				9747-0631-02	Låsmutter .....	Lock nut.....		
33	1				9579-0003-00	Buntband .....	Cable holder.....		
34	2				9945-0816-16	Skruv.....	Screw.....		
35	1				9939-0820-16	Skruv.....	Screw.....		Jord/ground
37	1				9699-0056-02	Planbricka.....	Flat washer.....		
38	1				1134-5827-04	Oljeavtappning kpl.....	Oil drain assy .....		L = 290 mm
39	1				1134-5825-01	• Nippel .....	• Nipple.....		
40	1				9578-0023-04	• Slangklämma .....	• Hose clamp .....		
41	1				1134-3499-02	• Slangklämma .....	• Hose clamp .....		
42	1				1134-5826-01	• Plugg .....	• Plug.....		



Utgåva Issue 2008- 11		Bildnr Picture No 1802B		PARK PRO 4WD PRO 16- PRO 20- SILVER MOTOR (Briggs & Stratton)		PARK PRO 4WD PRO 16- PRO 20- SILVER ENGINE (Briggs & Stratton)		Sida Page 174	
Pos. Fig.	Antal/Quantity			Art nr Part No	Benämning	Description	Sats Kit	Anmärkning Notes	
	6241 - 14	6244 6245							
4A	1			1134-6116-04	Luftkanal.....	Air duct .....		Ø = 200, H = 45 mm Ø = 215, H = 6 mm	
4B		1		1134-6116-01	Luftkanal.....	Air duct .....			
5	4	4		9955-3725-16	Skruv .....	Screw .....			
6	1	1		1134-5733-01	Grenrör .....	Exhaust pipe .....			
7	4	4		9939-0820-16	Skruv .....	Screw .....			
8	1	1		9578-0011-01	Klämma .....	Clamp.....			
9	1	1		1134-5667-01	Ljuddämpare .....	Muffler .....			
10	1	1		9959-0820-16	Skruv .....	Screw .....			
11	1	1		9739-0831-22	Mutter.....	Nut .....			
12	1	1		1134-5827-01	Oljeavtappning kpl .....	Oil drain assy .....		L = 140 mm	
13	1	1		1134-5825-01	• Nippel .....	• Nipple.....			
14	1	1		9578-0023-04	• Slangklämma .....	• Hose clamp .....			
15	1	1		1134-3499-02	• Slangklämma .....	• Hose clamp .....			
16	1	1		1134-5826-01	• Plugg .....	• Plug.....			
17	1	1		1134-5865-01	Motorremskiva .....	Engine belt pulley.....			
18	1	1		9600-0251-00	Plattkil .....	Key .....			
19	1	1		9987-5364-12	Skruv .....	Screw .....			
20	1	1		1134-5644-01	Bensintank.....	Fuel tank .....		14 Liter	
21	1	1		1134-5532-01	Tanklock .....	Fuel tank cap.....			
22	1	1		1134-3224-01	Bensinkran.....	Fuel shut-off valve .....			
23	1	1		1134-3225-01	Gummibussning .....	Grommet.....			
24	1	1		1134-2975-05	Bensinslang .....	Fuel hose.....		L = 460 mm	
25	2	2		9578-0023-02	Slangklämma.....	Hose clamp .....			
26	1	1		1134-5615-01	Tankkonsol .....	Tank bracket.....			
27	1	1		1134-5621-01	Tankbygel .....	Tank loop .....			
28	1	1		1134-5622-01	Tankbygel .....	Tank loop .....			
29	1	1		1134-5623-01	Tankbygel .....	Tank loop .....			
30	1	1		1134-5765-01	Tankbygel .....	Tank loop .....			
31	2	2		1134-4481-02	Vingmutter.....	Wing nut .....			
32	2	2		9747-0631-02	Låsmutter .....	Lock nut.....			
33	1	1		9579-0003-00	Buntband .....	Cable holder.....			
34	2	2		9945-0816-16	Skruv .....	Screw .....			
35	1	1		9939-0820-16	Skruv .....	Screw .....			
36	1	1		1134-0994-02	Rörklammer.....	Tube clamp.....			
37	1	1		9699-0056-02	Planbricka.....	Flat washer.....			

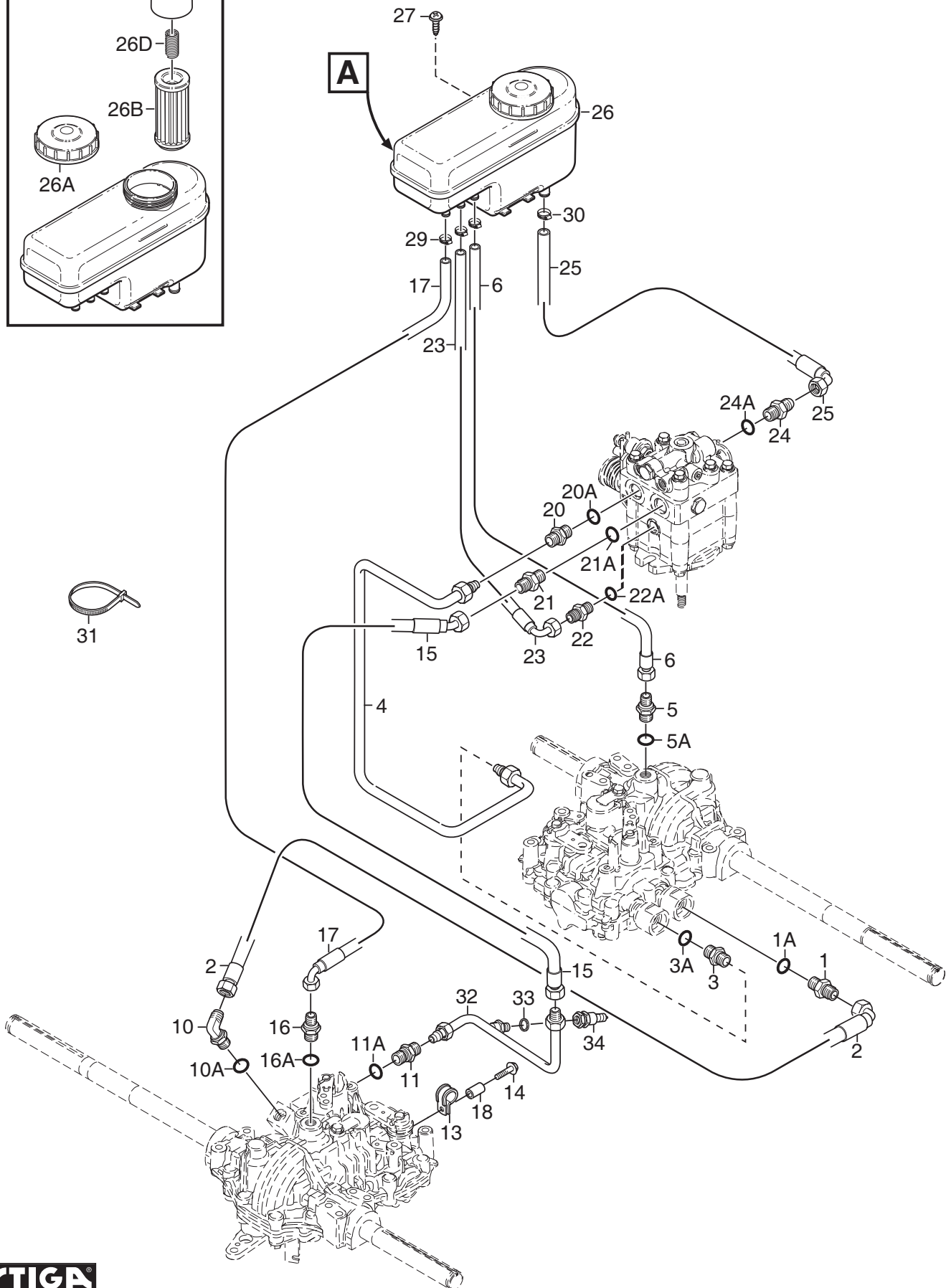
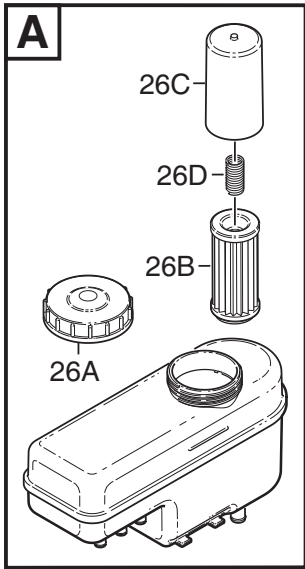


Utgåva Issue 2008- 11		Bildnr Picture No 1803		PARK PRO 4WD PRO 25- PRO BIVOJ MOTOR (Kohler)		PARK PRO 4WD PRO 25- PRO BIVOJ ENGINE (Kohler)		Sida Page 176	
Pos. Fig.	Antal/Quantity				Art nr Part No	Benämning	Description	Sats Kit	Anmärkning Notes
	6242	6246							
5	4				9955-3725-16 Skruv.....	Screw.....			
6	1				1134-5726-01 Grenrör.....	Exhaust pipe .....			
8	1				9578-0011-01 Klämma.....	Clamp.....			
9	1				1134-5667-01 Ljuddämpare .....	Muffler .....			
10	1				9959-0820-16 Skruv.....	Screw.....			
11	1				9739-0831-22 Mutter.....	Nut.....			
12	1				1134-5827-04 Oljeavtappning kpl.....	Oil drain assy .....		L = 290 mm	
13	1				1134-5825-01 • Nippel .....	• Nipple.....			
14	1				9578-0023-04 • Slangklämma.....	• Hose clamp .....			
15	1				1134-3499-02 • Slangklämma.....	• Hose clamp .....			
16	1				1134-5826-01 • Plugg .....	• Plug.....			
17	1				1134-5866-01 Motorremskiva .....	Engine belt pulley.....			
18	1				9600-0251-00 Plattkil .....	Key.....			
19	1				9987-5376-12 Skruv .....	Screw.....			
20	1				1134-5644-01 Bensintank.....	Fuel tank .....		14 Liter	
21	1				1134-5532-01 Tanklock .....	Fuel tank cap.....			
22	1				1134-3224-01 Bensinkran.....	Fuel shut- off valve .....			
23	1				1134-3225-01 Gummibussning .....	Grommet.....			
24	1				1134-2975-04 Bensinslang .....	Fuel line.....		L = 710 mm	
25	2				9578-0023-02 Slangklämma.....	Hose clamp .....			
26	1				1134-5615-01 Tankkonsol .....	Tank bracket.....			
27	1				1134-5621-01 Tankbygel .....	Tank loop .....			
28	1				1134-5622-01 Tankbygel .....	Tank loop .....			
29	1				1134-5623-01 Tankbygel .....	Tank loop .....			
30	1				1134-5765-01 Tankbygel .....	Tank loop .....			
31	2				1134-4481-02 Vingmutter.....	Wing nut .....			
32	2				9747-0631-02 Låsmutter .....	Lock nut.....			
33	1				9579-0003-00 Buntband .....	Cable holder.....			
34	2				9945-0816-16 Skruv .....	Screw.....			
35	1				9959-0820-16 Skruv .....	Screw.....			
36	1				9747-0831-02 Mutter.....	Lock nut.....			
37	1				9699-0056-02 Planbricka.....	Flat washer.....			

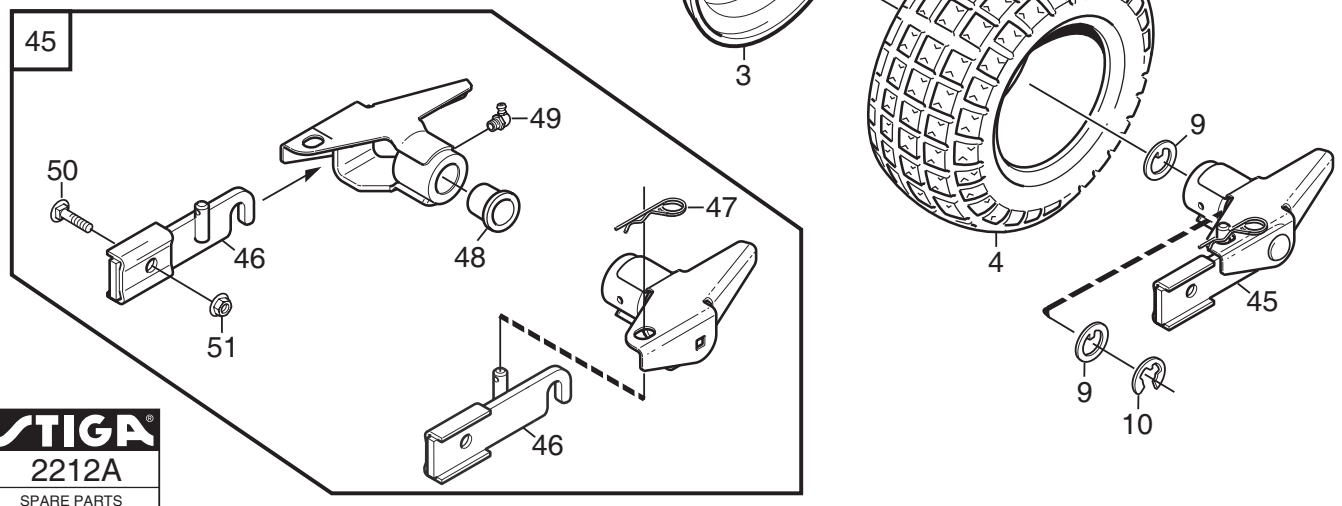
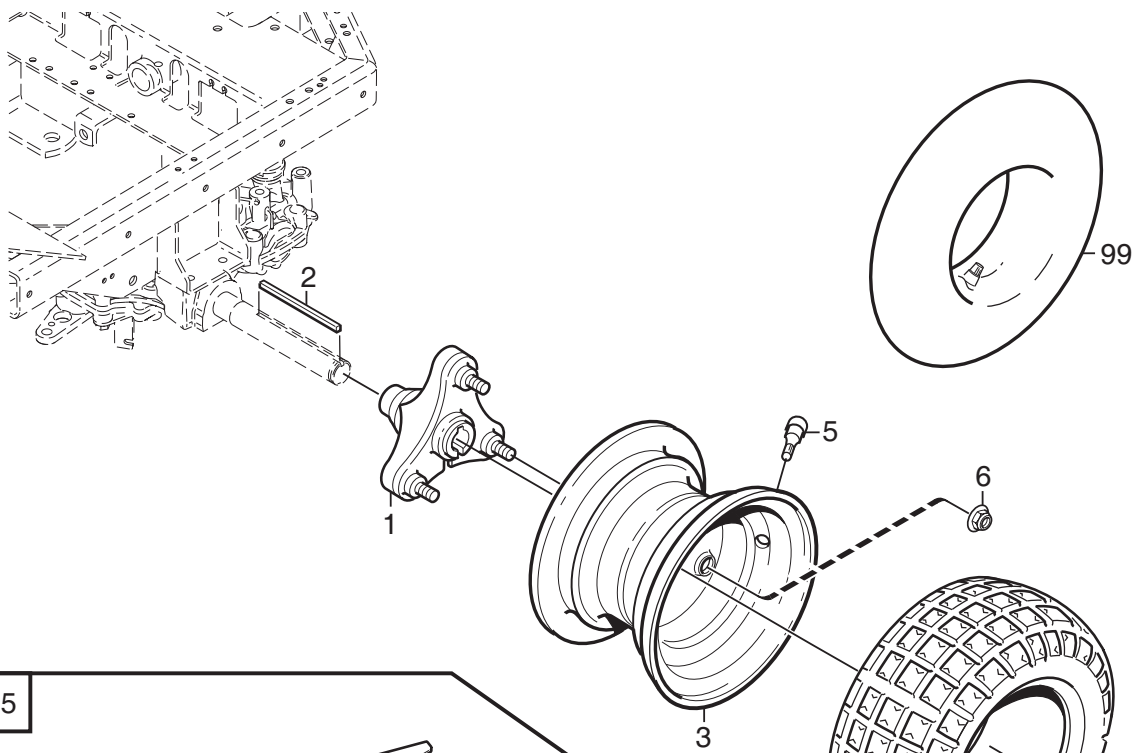
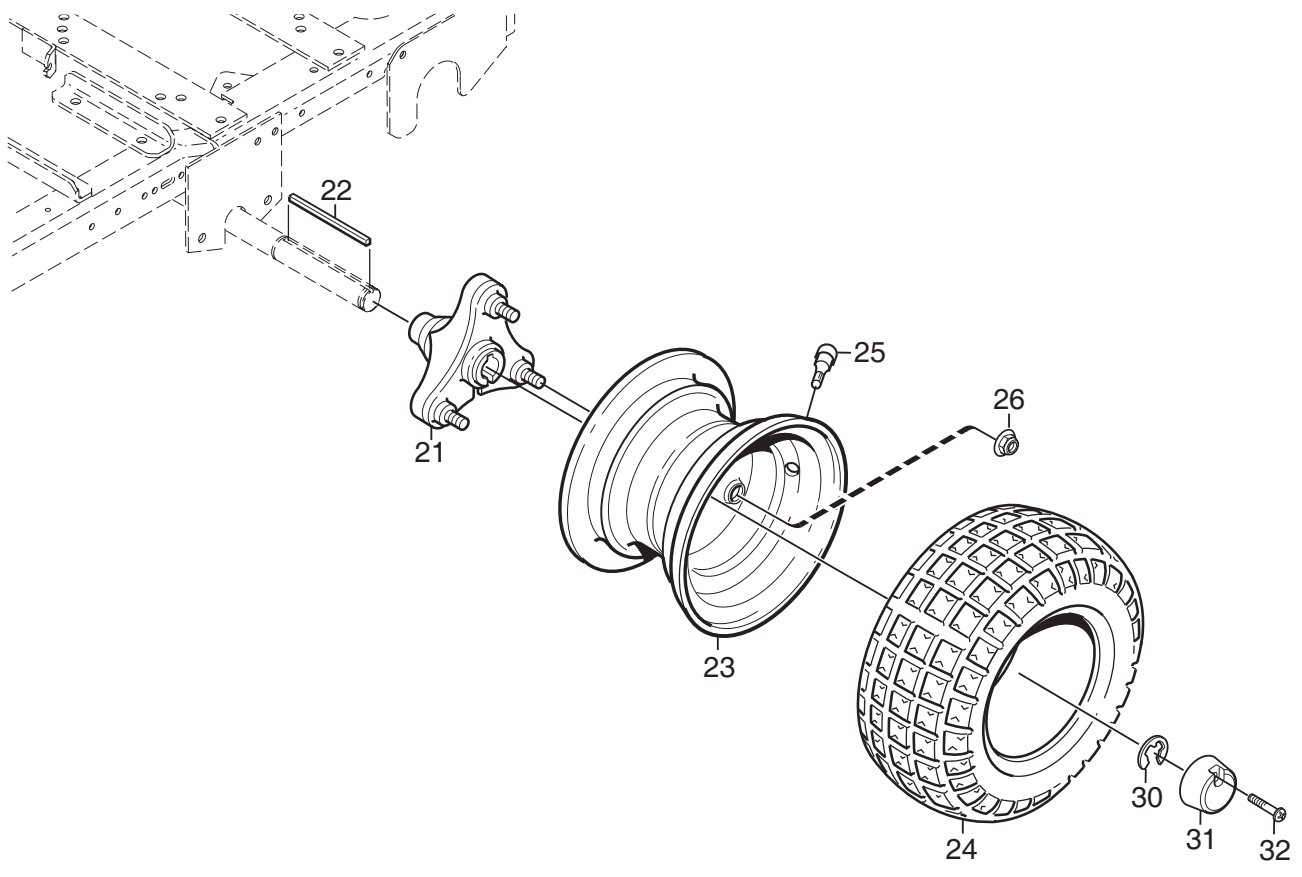




Utgåva Issue 2008- 11		Bildnr Picture No 1804B		PARK PRO 4WD TRANSMISSION (mekaniska delar)		PARK PRO 4WD TRANSMISSION (mechanical parts)		Sida Page 178	
Pos. Fig.	Antal/Quantity				Art nr Part No	Benämning	Description	Sats Kit	Anmärkning Notes
	6241 6244 6246	6242 6245							
1	1	1			1134-5739-01	Spännarm .....	Tension arm .....		
2	1	1			1134-3459-01	Spännrulle .....	Tension roller .....		
3	1	1			9997-1030-16	Skruv .....	Screw .....		
4	1	1			9739-1031-22	Mutter .....	Nut .....		
5	1	1			1134-0240-00	Ansattsskruv .....	Shoulder screw .....		
6	1	1			9665-0002-00	Brickfjäder .....	Bowed washer .....		
7	1	1			9747-0831-02	Mutter .....	Lock nut .....		
8	1	1			1134-5713-02	Fjäder .....	Spring .....		
9	1	1			1134-9058-01	Drivrem .....	V- belt .....		= 9585-0091-01
10	1	1			1134-5764-01	Remstyrning .....	Belt guide .....		
11	1	1			9959-0820-16	Skruv .....	Screw .....		
12	1	1			9739-0831-22	Mutter .....	Nut .....		
13	1	1			1134-5700-01	Hydraulpump kpl .....	Hydraulic pump assy .....		Kanzaki KPL 10ALP
14	1	1			1134-4190-01	Fläkt .....	Fan .....		
15	2	2			1134-5862-01	Distans .....	Spacer .....		
16	1	1			1134-5821-01	Remskiva .....	Belt pulley .....		
18	1	1			9731-1031-22	Mutter .....	Nut .....		
19	2	2			9997-1040-16	Skruv .....	Screw .....		
20	2	2			9699-0030-02	Planbricka .....	Flat washer .....		
21	2	2			9731-1031-22	Mutter .....	Nut .....		
22	1	1			1134-5763-01	Dragstång .....	Pull rod .....		
23	1	1			1134-4014-01	Plastknopp .....	Plastic button .....		
25	2	2			9675-0009-02	Starlock .....	Starlock .....		
26	1	1			1134-5701-01	Motoraxel- bak .....	Motor shaft- rear .....		Kanzaki KTM 10G
27	2	2			9960-0860-12	Skruv .....	Screw .....		
28	1	1			9699-0090-02	Planbricka .....	Flat washer .....		
29	2	2			9747-0831-02	Mutter .....	Lock nut .....		
30	1	1			1134-5703-01	Flänslagerenhet .....	Flange bearing .....		
30A	1	1			9501-0500-00	• Smörjnippel .....	• Grease joint .....		
31	2	2			9997-1040-16	Skruv .....	Screw .....		
32	2	2			9731-1031-22	Mutter .....	Nut .....		
33	1	1			1134-1565-15	Distans .....	Spacer .....		
34	1	1			9997-0812-02	Skruv .....	Screw .....		
35	1	1			9747-0831-02	Mutter .....	Lock nut .....		
36	1	1			1134-5702-01	Motoraxel- fram .....	Motor shaft- front .....		Kanzaki KTM 10F
37	2	2			9960-0860-12	Skruv .....	Screw .....		
38	3	3			9699-0090-02	Planbricka .....	Flat washer .....		
39	2	2			9747-0831-02	Mutter .....	Lock nut .....		
40	1	1			1134-5703-01	Flänslagerenhet .....	Flange bearing .....		
40A	1	1			9501-0500-00	• Smörjnippel .....	• Grease joint .....		
41	2	2			9997-1040-16	Skruv .....	Screw .....		
42	2	2			9731-1031-22	Mutter .....	Nut .....		
43	1	1			1134-5650-01	Transaxelfäste .....	Transaxle bracket .....		
44	2	2			9997-0860-16	Skruv .....	Screw .....		
45	2	2			9747-0831-02	Mutter .....	Lock nut .....		
46	1	1			9959-1025-16	Skruv .....	Screw .....		
47	1	1			9731-1031-22	Mutter .....	Nut .....		
48	1	1			1134-5670-01	Reaktionsstag .....	Strut .....		
49	1	1			9997-0880-16	Skruv .....	Screw .....		
50	1	1			9747-0831-02	Mutter .....	Lock nut .....		
51	2	2			9945-0816-16	Skruv .....	Screw .....		
52	1	1			1134-4242-01	Distansbricka .....	Spacer washer .....		



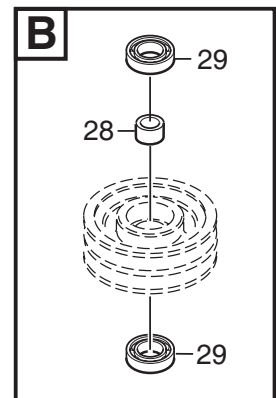
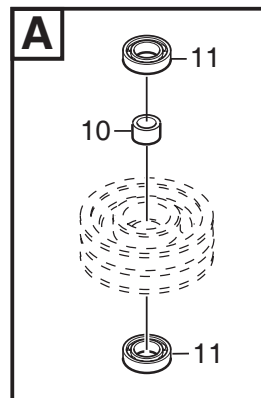
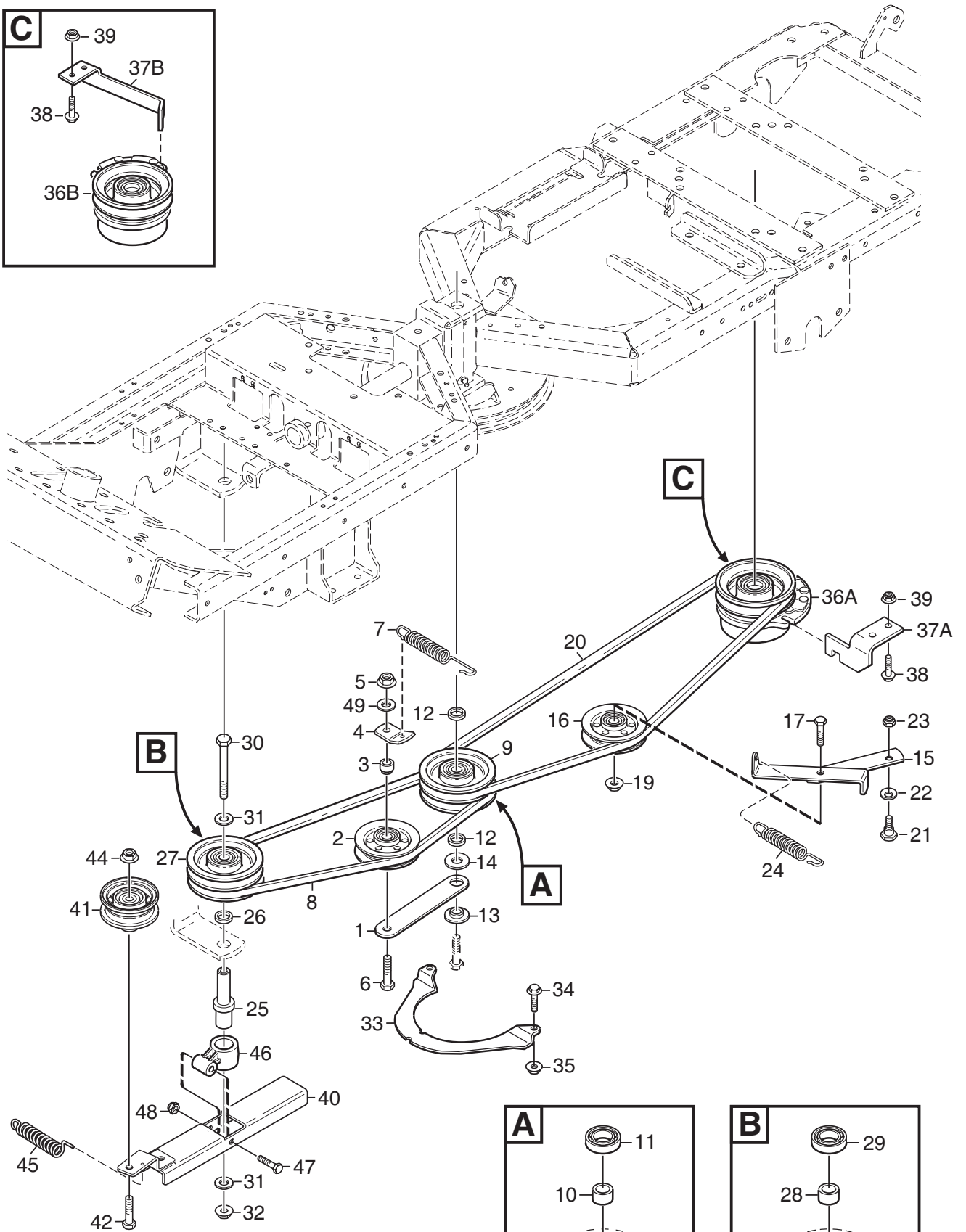
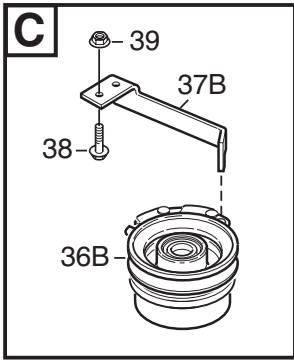
Utgåva Issue 2008- 11		Bildnr Picture No 1805B		PARK PRO 4WD TRANSMISSION (hydrauliska delar)		PARK PRO 4WD TRANSMISSION (hydraulic parts)		Sida Page 180	
Pos. Fig.	Antal/Quantity				Art nr Part No	Benämning	Description	Sats Kit	Anmärkning Notes
	6241 - 14 6244 6246	6242 6245							
1	1	1			1134- 5810- 01	Adapter .....	Hydraulic coupling .....		3/4" x 3/4"
1A	1	1			9404- 0029- 01	• O- ring.....	• O- ring .....		
2	1	1			1134- 5754- 01	Hydraulslang .....	Hydraulic tube.....		
3	1	1			1134- 5808- 01	Skärringskoppling .....	Hydraulic coupling .....		3/4"
3A	1	1			9404- 0029- 01	• O- ring.....	• O- ring .....		
4	1	1			1134- 5814- 01	Hydraulrör .....	Hydraulic tube.....		
5	1	1			1134- 5809- 01	Adapter .....	Hydraulic coupling .....		3/4" x 9/16"
5A	1	1			9404- 0029- 01	• O- ring.....	• O- ring .....		
6	1	1			1134- 5759- 01	Hydraulslang .....	Hydraulic tube.....		
10	1	1			1134- 5807- 01	Vinkeladapter .....	Hydraulic coupling .....		3/4" x 3/4"
10A	1	1			9404- 0029- 01	• O- ring.....	• O- ring .....		
11	1	1			1134- 5875- 01	Skärringskoppling .....	Hydraulic coupling .....		3/4"
11A	1	1			9404- 0029- 01	• O- ring.....	• O- ring .....		
13	1	1			9578- 0028- 01	Rörklammer.....	Tube clamp.....		
14	1	1			9959- 0825- 16	Skruv .....	Screw .....		
15	1	1			1134- 5753- 01	Hydraulslang .....	Hydraulic tube.....		
16	1	1			1134- 5809- 01	Adapter .....	Hydraulic coupling .....		3/4" x 9/16"
16A	1	1			9404- 0029- 01	• O- ring.....	• O- ring .....		
17	1	1			1134- 5758- 01	Hydraulslang .....	Hydraulic tube.....		
18	1	1			1134- 1565- 09	Distans .....	Spacer .....		
20	1	1			1134- 5808- 01	Skärringskoppling .....	Hydraulic coupling .....		3/4"
20A	1	1			9404- 0029- 01	• O- ring.....	• O- ring .....		
21	1	1			1134- 5810- 01	Adapter .....	Hydraulic coupling .....		3/4" x 3/4"
21A	1	1			9404- 0029- 01	• O- ring.....	• O- ring .....		
22	1	1			1134- 4282- 01	Hydraulnippel .....	Hydraulic nipple .....		9/16" x 9/16"
22A	1	1			9404- 0028- 01	• O- ring.....	• O- ring .....		
23	1	1			1134- 5758- 02	Hydraulslang .....	Hydraulic tube.....		
24	1	1			1134- 5810- 01	Adapter .....	Hydraulic coupling .....		3/4" x 3/4"
24A	1	1			9404- 0029- 01	• O- ring.....	• O- ring .....		
25	1	1			1134- 5760- 01	Hydraulslang .....	Hydraulic tube.....		
26	1	1			1134- 5819- 02	Hydraultank kpl.....	Hydraulic oil tank .....		
26A	1	1			1134- 5965- 01	• Tanklock .....	• Tank cap .....		
26B	1	1			1134- 5962- 02	• Oljefilter .....	• Oil filter .....		
26C	1	1			1134- 5963- 01	• Hölje- oljefilter.....	• Cover- filter .....		
26D	1	1			1134- 5964- 01	• Fjäder.....	• Spring .....		
27	1	1			9838- 9516- 12	Skruv .....	Screw .....		
29	3	3			9578- 0023- 04	Slangklämma.....	Hose clamp .....		
30	1	1			9578- 0023- 05	Slangklämma.....	Hose clamp .....		
31	1	1			9579- 0003- 00	Buntband .....	Cable holder .....		
32	1	1			1134- 6039- 01	Hydraulrör .....	Hydraulic pipe .....		
33	1	1			1134- 4948- 01	Tredobricka.....	Seal washer.....		
34	1	1			1134- 6042- 01	Snabbkoppling- hane.....	Quick coupling- male.....		



**STIGA**  
 2212A  
 SPARE PARTS

Utgåva Issue		Bildnr Picture No		PARK PRO 4WD HJUL		PARK PRO 4WD WHEELS		Sida Page	
2008- 11		2212A						182	
Pos. Fig.	Antal/Quantity				Art nr Part No	Benämning	Description	Sats Kit	Anmärkning Notes
	6241 6244 6246	6242 6245							
1	2	2			1134-4844-03	Hjulnav .....	Wheel hub .....		17 x 8.00 - 8
2	2	2			1134-3383-02	Kil .....	Key .....		
3	2	2			1134-4558-01	Fälg .....	Rim .....		
4	2	2			9545-0124-01	Däck .....	Tyre .....		
5	2	2			9545-0500-00	Ventil .....	Valve .....		
6	6	6			9731-1031-22	Mutter .....	Nut .....		
9	4	4			1134-5797-01	• Bricka .....	• Washer .....		
10	2	2			9653-0002-04	• Spårryttare .....	• Lock ring .....		
21	2	2			1134-4844-03	Hjulnav .....	Wheel hub .....		
22	2	2			1134-3383-02	Kil .....	Key .....		
23	2	2			1134-4558-01	Fälg .....	Rim .....		
24	2	2			9545-0124-01	Däck .....	Tyre .....	17 x 8.00 - 8	
25	2	2			9545-0500-00	Ventil .....	Valve .....		
26	6	6			9731-1031-22	Mutter .....	Nut .....		
30	2	2			9653-0002-04	Spårryttare .....	Lock ring .....		
31	2	2			1134-4796-01	Navkapsel .....	Hub cap .....		
32	2	2			9947-0540-19	Skruv .....	Screw .....		
45	1	1			13-0993-61	Snabbfäste kpl .....	Quick connections .....		Inkl. pos 9,10,46-51 Inkl. pos 50-51
46	1	1			1134-7465-01	• Fästen kpl, vä+hö .....	• Attachment kit, LH+RH .....		
47	2	2			9598-2001-02	• Låsnål .....	• Spring pin .....		
48	4	4			1134-5686-01	• Lagerbussning .....	• Bearing bush .....		
49	2	2			9501-0502-00	• Smörjnippel .....	• Grease joint .....		
50	2	2			9898-1035-16	•• Skruv .....	•• Screw .....		
51	2	2			9739-1031-22	•• Mutter .....	•• Nut .....		
99					9545-0203-00	Innerslang .....	Inner tube .....	Reservdel/spare part	

X  
X



Utgåva Issue		Bildnr Picture No		PARK PRO 4WD KRAFTUTTAG		PARK PRO 4WD POWER TAKE- OFF		Sida Page	
2008- 11		1807B						184	
Pos. Fig.	Antal/Quantity			Art nr Part No	Benämning	Description	Sats Kit	Anmärkning Notes	
	6241 6244 6245	6242 6246							
1	1	1		1134- 1730- 01	Spännhjulssarm .....	Tension wheel arm .....			
2	1	1		1134- 3663- 01	Spännrulle .....	Tension wheel .....			
3	1	1		1134- 1888- 05	Distans .....	Spacer .....			
4	1	1		1134- 1893- 01	Fjäderfäste .....	Spring attachment .....			
5	1	1		9739- 1031- 22	Mutter .....	Nut .....			
6	1	1		9997- 1060- 12	Skruv .....	Screw .....			
7	1	1		1134- 5713- 01	Dragfjäder .....	Spring .....			
8	1	1		1134- 9098- 01	Drivrem .....	V- belt .....			
9	1	1		1134- 1769- 03	Centrumremskiva kpl. ....	Centre pulley assy .....		= 9585- 0148- 01	
10	1	1		1134- 0051- 09	• Distans .....	• Spacer .....			
11	2	2		9549- 0019- 00	• Kullager .....	• Ball bearing .....			
12	2	2		1134- 0052- 00	Lagerdistans .....	Bearing spacer .....			
13	1	1		1134- 0222- 00	Bricka .....	Washer .....			
14	1	1		9699- 0109- 02	Planbricka .....	Flat washer .....			
15	1	1		1134- 5742- 01	Spännarm .....	Tension arm .....			
16	1	1		1134- 3663- 01	Spännrulle .....	Tension wheel .....			
17	1	1		9997- 1040- 16	Skruv .....	Screw .....			
19	1	1		9739- 1031- 22	Mutter .....	Nut .....			
20	1	1		1134- 9097- 01	Drivrem .....	V- belt .....		= 9585- 0147- 01	
21	1	1		1134- 0240- 00	Ansatssskruv .....	Shoulder screw .....			
22	1	1		9665- 0002- 00	Brickfjäder .....	Bowed washer .....			
23	1	1		9747- 0831- 02	Mutter .....	Lock nut .....			
24	1	1		1134- 5713- 03	Fjäder .....	Spring .....			
25	1	1		1134- 5663- 01	Axel .....	Shaft .....			
26	1	1		1134- 0052- 00	Lagerdistans .....	Bearing spacer .....			
27	1	1		1134- 1769- 03	Centrumremskiva kpl. ....	Centre pulley assy .....			
28	1	1		1134- 0051- 09	• Distans .....	• Spacer .....			
29	2	2		9549- 0019- 00	• Kullager .....	• Ball bearing .....			
30	1	1		9997- 1011- 06	Skruv .....	Screw .....			
31	2	2		9699- 0030- 02	Planbricka .....	Flat washer .....			
32	1	1		9739- 1031- 22	Mutter .....	Nut .....			
33	1	1		1134- 3654- 01	Fingerskydd .....	Finger guard .....			
34	2	2		9959- 0612- 16	Skruv .....	Screw .....			
35	2	2		9739- 0631- 22	Mutter .....	Nut .....			
36A	1			1134- 5673- 01	Magnetkoppling .....	Magnet clutch .....			
36B		1		1134- 5674- 01	Magnetkoppling .....	Magnet clutch .....			
37A	1			1134- 5664- 01	Momentstag .....	Torque plate .....			
37B		1		1134- 6452- 01	Momentstag .....	Torque plate .....			
38	2	2		9959- 0820- 16	Skruv .....	Screw .....			
39	2	2		9739- 0831- 22	Mutter .....	Nut .....			
40	1	1		1134- 5660- 01	Spännarm .....	Tension arm .....			
41	1	1		1134- 5823- 01	Spännrulle .....	Tension roller .....			
42	1	1		9997- 1050- 16	Skruv .....	Screw .....			
44	1	1		9739- 1031- 22	Mutter .....	Nut .....			
45	1	1		1134- 5824- 01	Fjäder .....	Spring .....			
46	1	1		1134- 6314- 01	Spännarmsfäste .....	Attachment .....			
47	1	1		9997- 0645- 12	Skruv .....	Screw .....			
48	1	1		9747- 0631- 02	Låsmutter .....	Lock nut .....			
49	1	1		9699- 0035- 02	Planbricka .....	Flat washer .....			