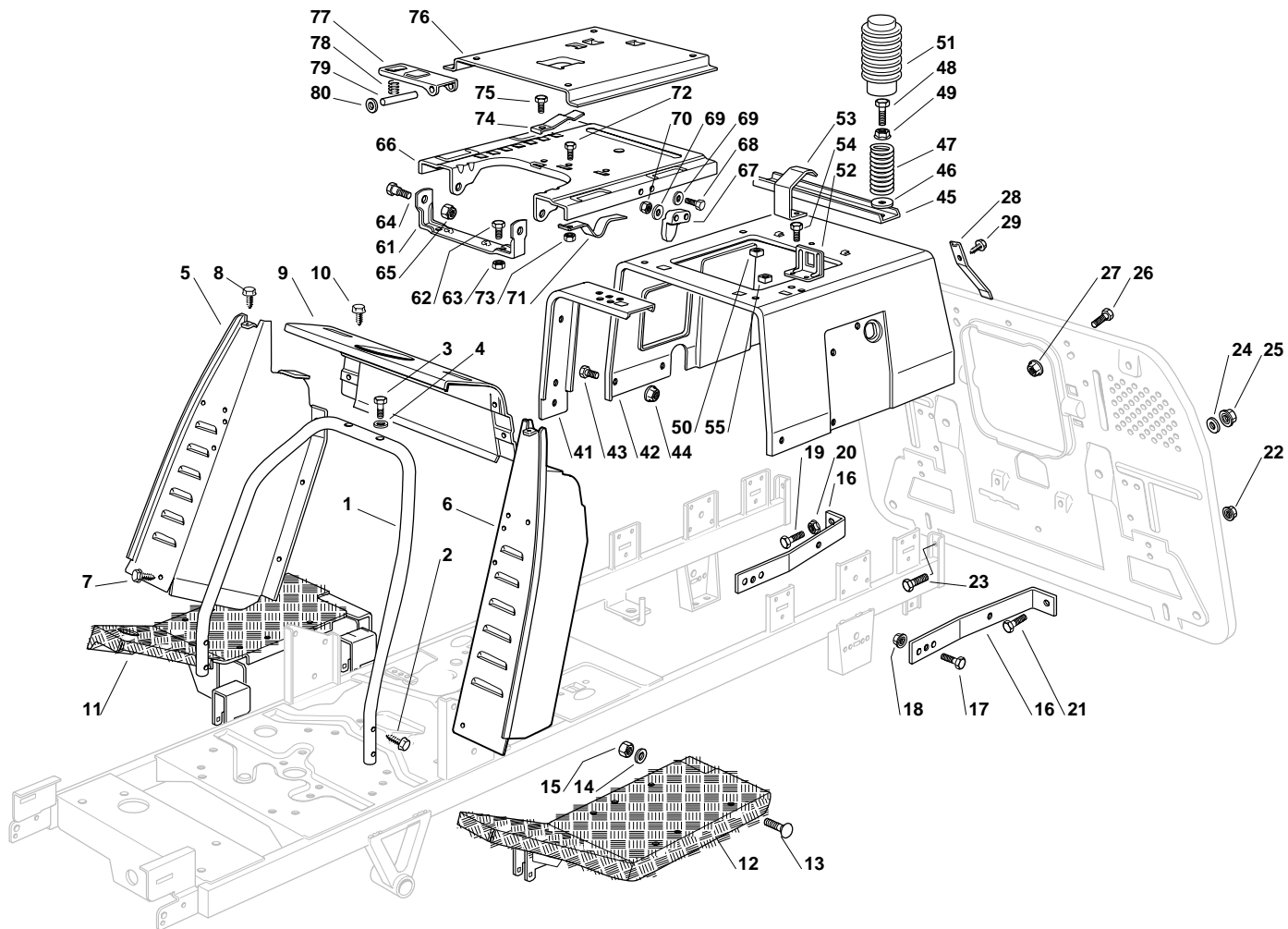


# **Genuine Spare Parts**

---

**OVERLAND 20**



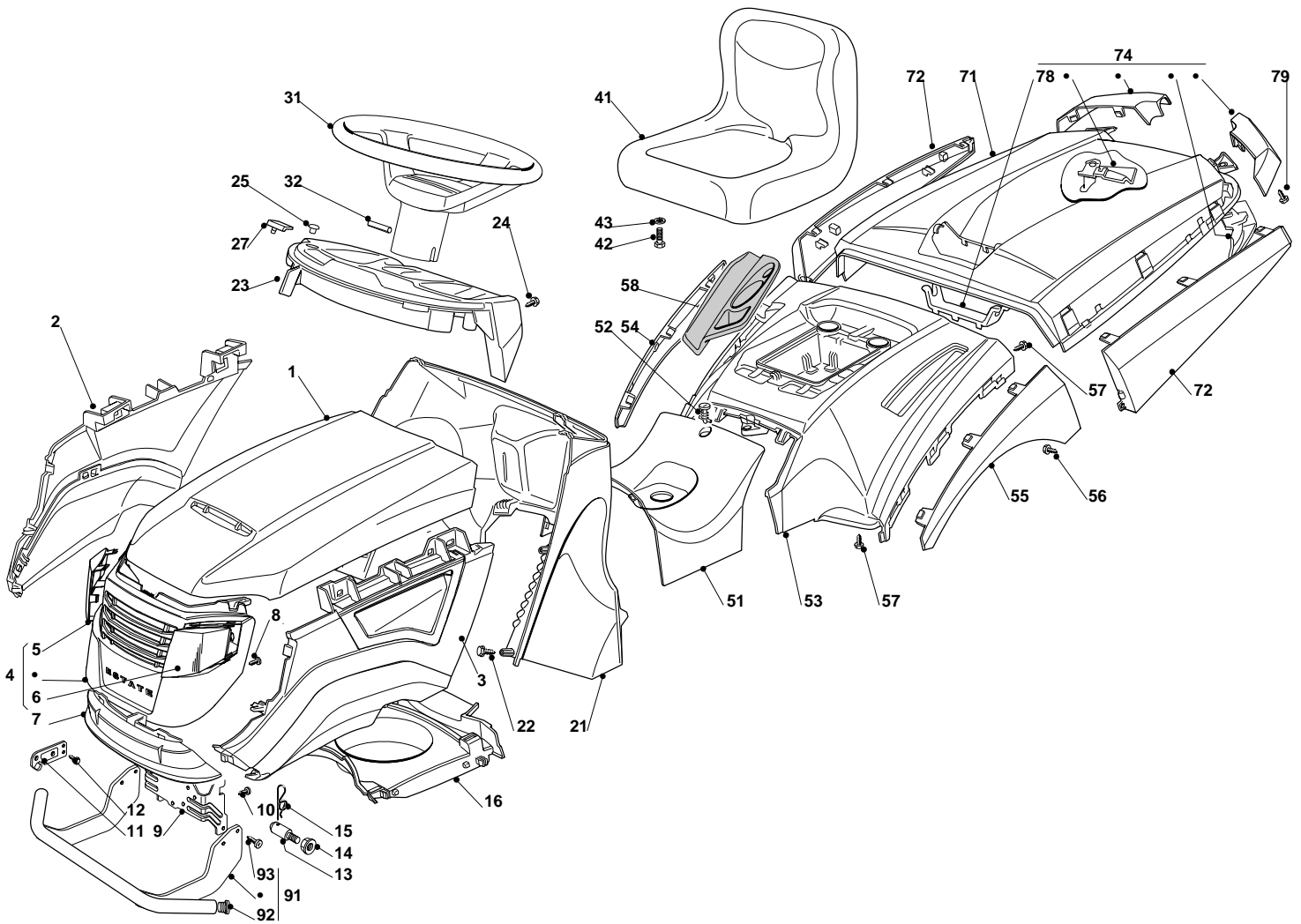
**OVERLAND 20 - Model Year 2009**


Pos. Fig.	Antal Quantity	Art No Part No	Benämning	Description	Anmärkning Notes
1	1	325650121/0	Reduktion	Stiffening	
2	4	12735122/0	Skruv	Screw	
3	2	12731350/0	Skruv	Screw	
4	2	12521330/0	Bricka	Washer	
5	1	382785022/8	Right Dashboard Supp.	Right Dashboard Supp.	
6	1	382785021/7	Left Dashboard Supp.	Left Dashboard Supp.	
7	2	12735110/0	Skruv	Screw	
8	2	12735110/0	Skruv	Screw	
9	1	382785171/0	Central Dashboard Supp	Central Dashboard Supp	
10	2	12735110/0	Skruv	Screw	
11	1	382510071/0	Right Footboard	Right Footboard	
12	1	382510070/0	Left Footboard	Left Footboard	
13	4	12815245/0	Skruv	Screw	
14	4	12523040/0	Bricka	Washer	
15	4	12154510/0	Mutter	Nut	
16	2	25774273/1	Reduktion	Stiffening	
17	2	12793102/0	Skruv	Screw	
18	2	12293201/0	Mutter	Nut	
19	1	12691100/0	Skruv	Screw	
20	1	12293200/0	Mutter	Nut	
21	1	12792611/0	Skruv	Screw	
22	2	12293201/0	Mutter	Nut	
23	2	112794300/0	Skruv	Screw	
24	2	12521360/0	Bricka	Washer	
25	2	12156602/0	Mutter	Nut	
26	5	12791011/0	Skruv	Screw	
27	5	12292102/0	Mutter	Nut	
28	1	25430238/0	Fjäder	Spring	
29	1	12731580/0	Skruv	Screw	
41	2	325650133/0	Reduktion	Stiffening	
42	1	325785133/4	Seat Support	Seat Support	



## OVERLAND 20 - Model Year 2009

Pos. Fig.	Antal Quantity	Art No Part No	Benämning	Description	Anmärkning Notes
43	8	12791011/0	Skruv	Screw	
44	8	12292102/0	Mutter	Nut	
45	1	25650067/0	Reduktion	Stiffening	
46	2	12523070/0	Bricka	Washer	
47	2	25430205/1	Fjäder	Spring	
48	2	25943001/0	Skruv	Screw	
49	2	12293201/0	Mutter	Nut	
50	2	12360420/0	Mutter	Nut	
51	2	25737002/0	Styrning	Hood	
52	1	25755025/1	Fästvinkel	Bracket	
53	1	25430255/0	Fjäder	Spring	
54	2	12735110/0	Skruv	Screw	
55	2	12437502/0	Mutter	Nut	
61	1	82774207/0	Seat Clamp Support	Seat Clamp Support	
62	2	12792611/0	Skruv	Screw	
63	2	12293201/0	Mutter	Nut	
64	2	22524970/2	Sprint	Pin	
65	2	12155010/0	Mutter	Nut	
66	1	25785149/2	Luftfilterhus	Fixed Seat Supp.	
67	1	25060033/0	Fäste	Cam	
68	2	12815050/0	Skruv	Screw	
69	4	12521320/0	Bricka	Washer	
70	2	12154330/0	Mutter	Nut	
71	1	25430223/2	Fjäder	Spring	
72	1	12789000/0	Skruv	Screw	
73	1	12154330/0	Mutter	Nut	
74	1	25430203/0	Fjäder	Spring	
75	1	12731580/0	Skruv	Screw	
76	1	25785147/0	Seat Support	Seat Support	
77	1	25318109/0	Arm	Stop Lever	
78	1	25430202/0	Fjäder	Spring	
79	1	25510000/0	Sprint	Pin	
80	2	12604897/0	Låsring	Washer	

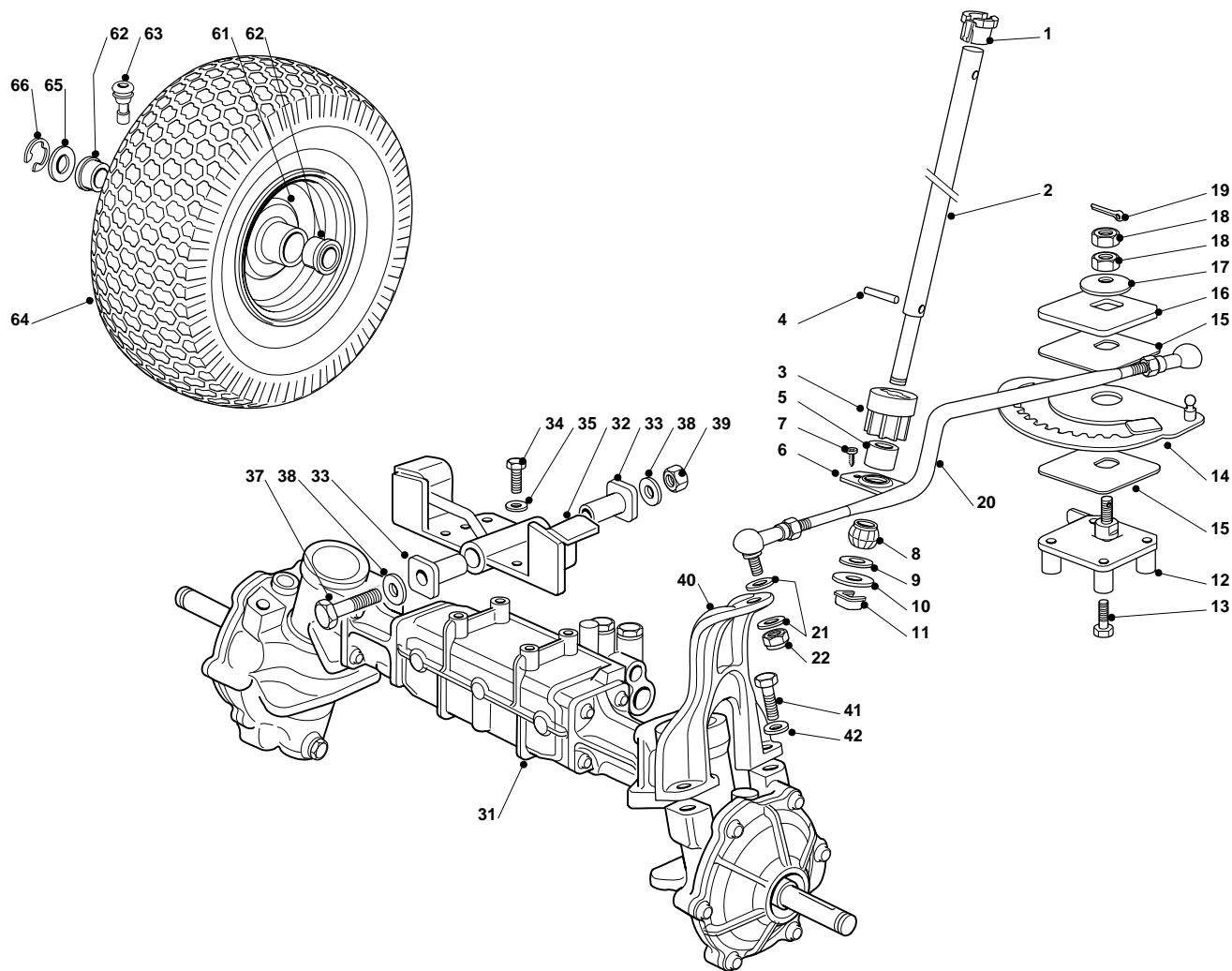


Pos. Fig.	Antal Quantity	Art No Part No	Benämning	Description	Anmärkning Notes
1	1	25076866/0	Upper Engine Hood, Yellow	Upper Engine Hood, Yellow	
2	1	382394611/0	Styrning	Hood, Right	
3	1	382394612/0	Styrning	Hood, Left	
4	1	82394610/0	Motorhuv	Grey Hood, Front	
5	1	25410876/0	Frontklåpa	Right Grill	
6	1	25410877/0	Frontklåpa	Left Grill	
7	1	25076865/0	Lower Grey Hood, Front	Lower Grey Hood, Front	
8	6	12735403/0	Skruv	Screw	
9	1	25774301/1	Motorhuv	Engine Hood Support	
10	5	12735403/0	Skruv	Screw	
11	2	25547109/1	Plåt	Plate	
12	4	12731580/0	Skruv	Screw	
13	2	25510068/0	Sprint	Pin	
14	2	12293201/0	Mutter	Nut	
15	1	24487998/0	Låsnål	Cotter Pin	
16	1	25108031/0	Inmatningstratt	Conveyor	
21	1	25785231/1	Panel	Dashboard Support	
22	7	12735403/0	Skruv	Screw	
23	1	325120197/1	Panel	Dashboard, Red	
23	1	325120198/1	Panel	Dashboard, Black	
24	4	12728440/0	Skruv	Screw	
25	2	25120200/0	Lock	Plug	
27	2	25260000/0	Hylsa	Grommet	
31	1	25961210/0		Steering Wheel	
32	1	12620299/0	Stift	Pin	
41	1	25722457/0	Seat	Seat	
42	4	12793101/0	Skruv	Screw	
43	4	12583500/0	Låsbricka	Grower	
51	1	325110394/0	Klåpa	Cover	
52	1	25580020/0	Axelförlängning	Pivot	
53	1	25109754/0	Klåpa	Wheels Cover	



## OVERLAND 20 - Model Year 2009

Pos. Fig.	Antal Quantity	Art No Part No	Benämning	Description	Anmärkning Notes
54	1	25109753/0	Right Wheel Cover	Right Wheel Cover	
55	1	25109752/0	Left Wheel Cover	Left Wheel Cover	
56	2	12728686/0	Skruv	Screw	
57	4	12735402/0	Skruv	Screw	
58	1	325207184/0	Kípa	Cover	
71	1	25110308/0	Kípa	Grass-Catcher Cover	
72	1	382110255/0	Kípa	Cover Assy	
74	1	382110259/0	Angles Assy	Angles Assy	
78	1	25394009/0	Handtagslock	Handle Cover	
79	4	12735403/0	Skruv	Screw	
91	1	382869039/0	Ljuddämparskydd	Muffler Protection	
92	2	18737860/0	Plugg	Cap	
93	4	12734995/0	Skruv	Screw	

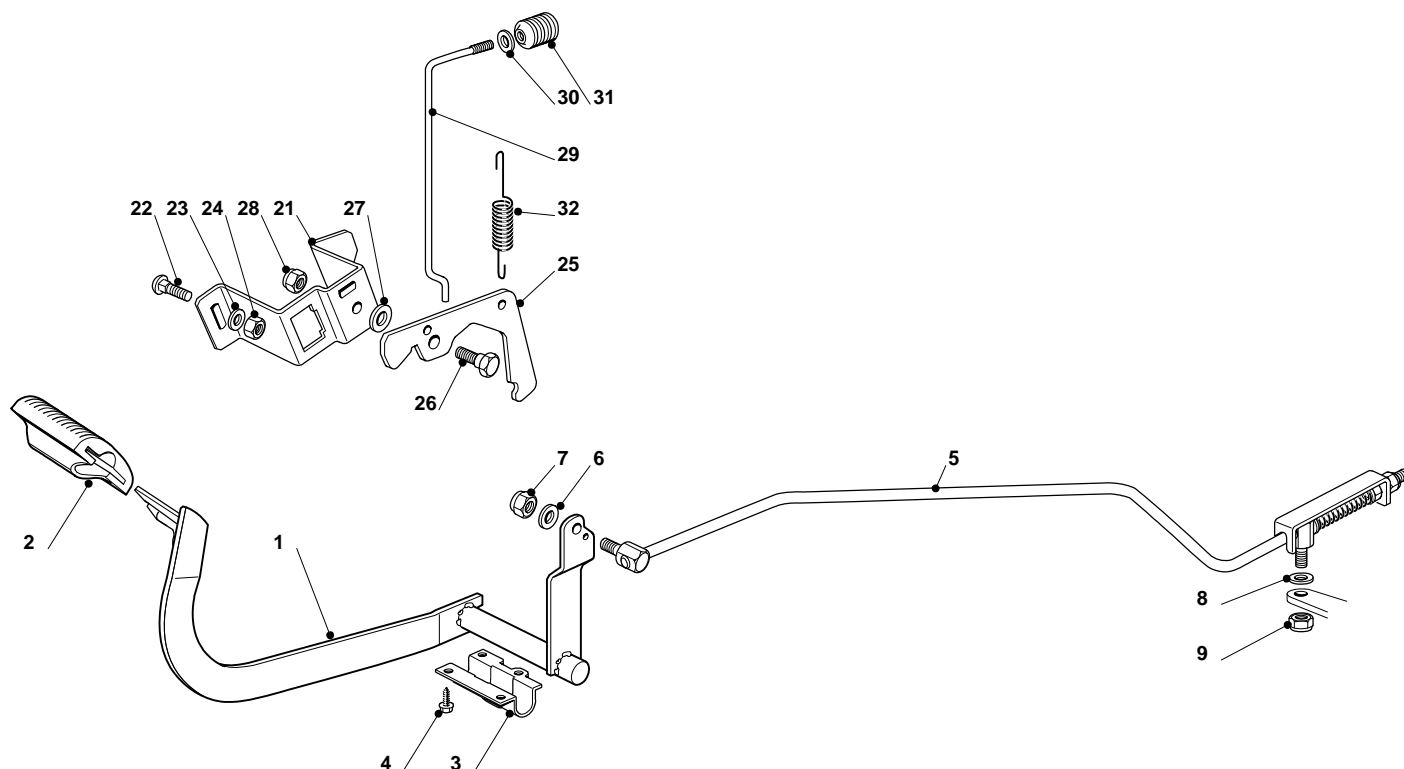
**OVERLAND 20 - Model Year 2009**


Pos. Fig.	Antal Quantity	Art No Part No	Benämning	Description	Anmärkning Notes
1	1	25038004/0	Bussning	Bush	
2	1	125520008/0	Steering Column	Steering Column	
3	1	25570000/2	Drev	Pinion	
4	1	12622650/0	Stift	Pin	
5	1	325160045/0	Distans	Spacer	
6	1	25785213/0	Stöd	Support	
7	1	12735110/0	Skruv	Screw	
8	1	25743000/0	Ledkåpa, vä+hö	Joint	
9	12	22671661/0	Bricka	Washer	
10	1	12521370/0	Bricka	Washer	
11	1	12436030/0	Platta	Plate	
12	1	382785187/0	Stöd	Support	
13	1	112735108/1	Skruv	Screw	
14	1	382735515/0	Sector	Steering Shaft	
15	2	125160043/0	Distans	Spacer	
16	1	125160504/0	Distans	Spacer	
17	1	112369700/1	Låsbricka	Elastic Washer	
18	2	112295400/0	Mutter	Nut	
19	1	12141418/0	Låsnål	Cotter Pin	
20	1	382000560/0	Stång	Steering Rod	
21	2	12522050/0	Bricka	Washer	
22	1	112155700/0	Mutter	Nut	
31	1	118400974/0	Transmission Unit Kk Kxh7N	Transmission Unit Kk Kxh7N	
32	1	382547057/0	Stöd	Support	
33	2	125040633/0	Bussning	Bush	
34	6	112760560/0	Skruv	Screw	
35	6	112585100/0	Bricka	Washer	
37	1	112695900/0	Skruv	Screw	
38	2	112521395/0	Bricka	Washer	
39	1	112295801/0	Mutter	Nut	
40	1	325774393/0	Fäste	Clamp	



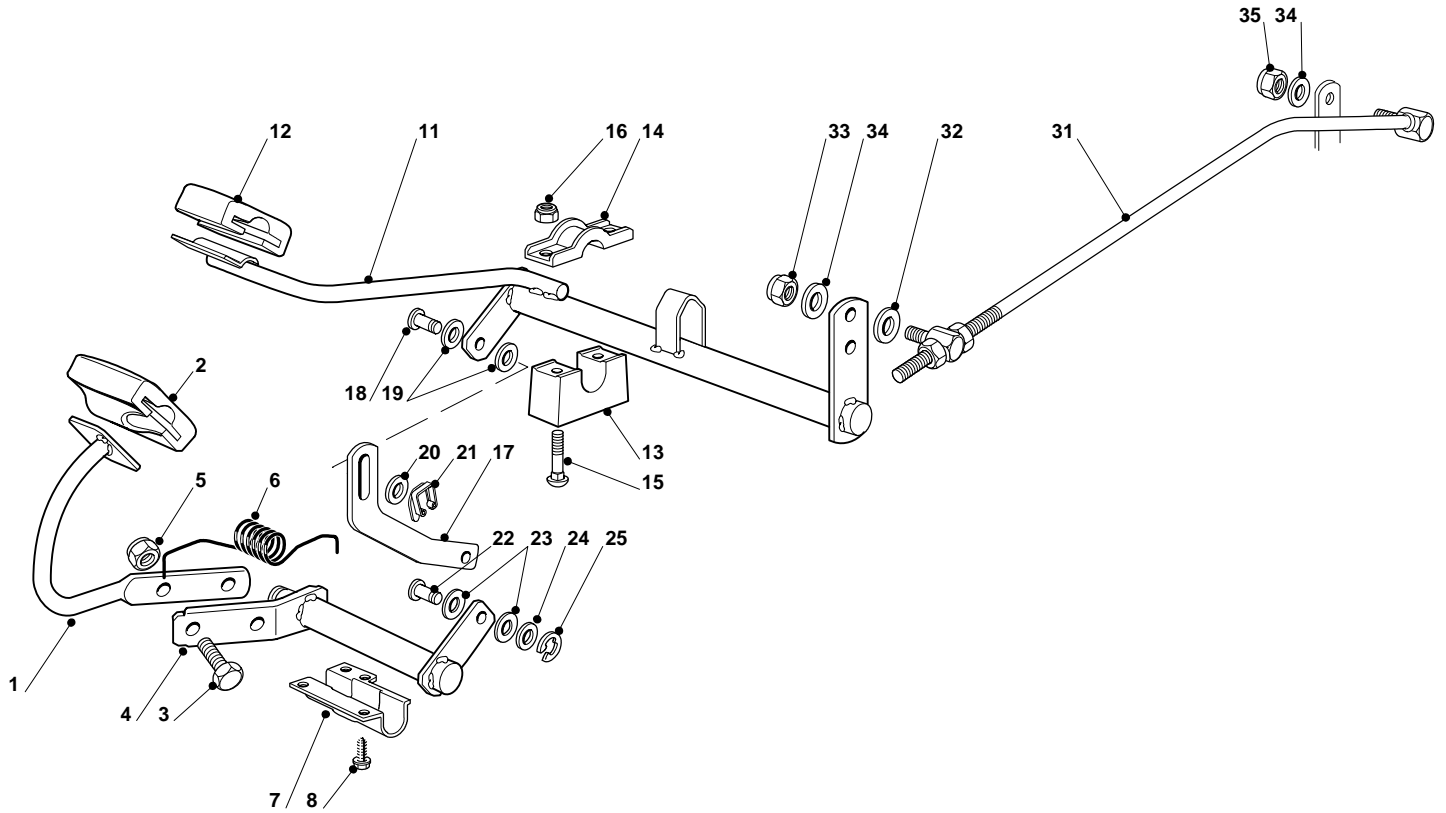
## OVERLAND 20 - Model Year 2009

Pos. Fig.	Antal Quantity	Art No Part No	Benämning	Description	Anmärkning Notes
41	2	112692600/0	Skruv	Screw	
42	2	12521370/0	Bricka	Washer	
61	2	182000601/0	Rimm	Rimm	
62	4	25122200/2	Lager	Bearing	
63	2	25950000/0	Ventil	Valve	
64	2	125590012/0	Tire	Tire	
65	2	25670005/1	Bricka	Washer	
66	2	12001010/0	Lsring	Snap Ring	

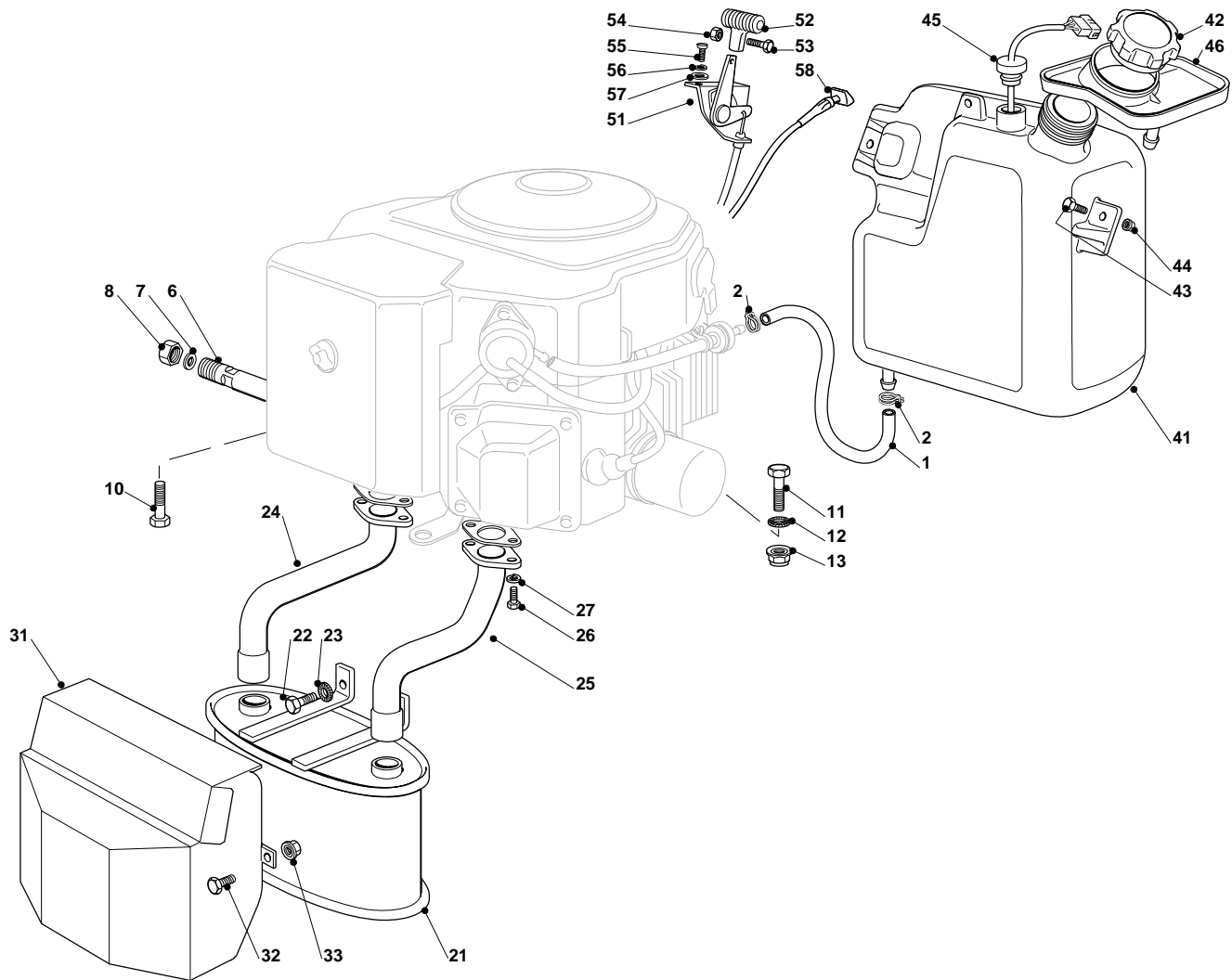


Pos. Fig.	Antal Quantity	Art No Part No	Benämning	Description	Anmärkning Notes
1	1	82500011/2	Pedal	Pedal	
2	1	25110267/0	Clamp Cover	Clamp Cover	
3	1	25547081/1	Plåt	Plate	
4	4	12731601/0	Skruv	Screw	
5	1	382000572/0	Länk	Rod	
6	1	12521350/0	Bricka	Washer	
7	1	12155000/0	Mutter	Nut	
8	1	12521350/0	Bricka	Washer	
9	1	12155000/0	Mutter	Nut	
21	1	25785143/0	Stöd	Support	
22	2	12815210/0	Skruv	Screw	
23	1	12523040/0	Bricka	Washer	
24	2	12154510/0	Mutter	Nut	
25	1	325253009/0	Hake	Hook	
26	1	22524970/2	Sprint	Pin	
27	1	25670011/0	Bricka	Washer	
28	1	12155000/0	Mutter	Nut	
29	1	25033047/0	Länk	Rod	
30	1	12523020/0	Bricka	Washer	
31	1	25394509/1	Knopp	Knob	
32	1	25430213/0	Fjäder	Spring	





Pos. Fig.	Antal Quantity	Art No Part No	Benämning	Description	Anmärkning Notes
1	1	382500031/0	Pedal	Pedal	
2	1	25110275/0	Clamp Cover	Clamp Cover	
3	2	12793301/0	Skruv	Screw	
4	1	382000559/0	Axel	Axle	
5	2	12155000/0	Mutter	Nut	
6	1	125430246/0	Fjäder	Spring	
7	1	25547133/0	Plåt	Plate	
8	4	12731601/0	Skruv	Screw	
11	1	382000557/0	Axel	Axle	
12	1	25110274/0	Clamp Cover Front	Clamp Cover Front	
13	2	25785185/0	Stöd	Support	
14	2	27546015/1	Plåt	Plate	
15	4	12815245/0	Skruv	Screw	
16	4	12154510/0	Mutter	Nut	
17	1	325547207/0	Plåt	Plate	
18	1	25510085/0	Sprint	Pin	
19	2	25670011/0	Bricka	Washer	
20	1	12521350/0	Bricka	Washer	
21	1	12436050/0	Låsplatta	Plate	
22	1	25510085/0	Sprint	Pin	
23	2	25670011/0	Bricka	Washer	
24	1	12521350/0	Bricka	Washer	
25	1	12000930/0	Låsring	Snap Ring	
31	1	382000572/0	Länk	Rod	
32	1	12523060/0	Bricka	Washer	
33	1	12155000/0	Mutter	Nut	
34	2	12523040/0	Bricka	Washer	
35	1	12154510/0	Mutter	Nut	

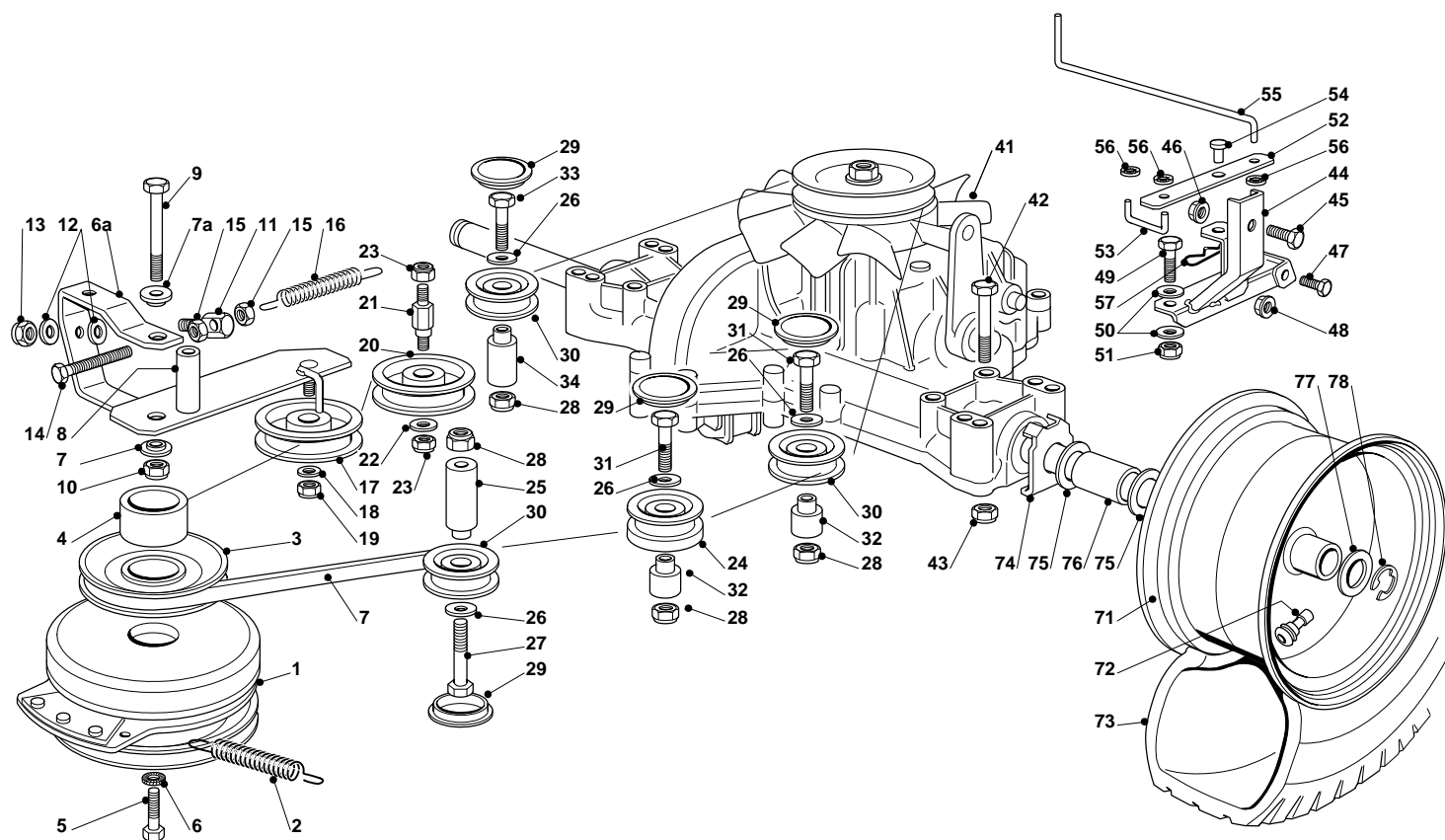


Pos. Fig.	Antal Quantity	Art No Part No	Benämning	Description	Anmärkning Notes
1	1	25869057/0	Vevstake	Connecting Tube (1000 Mm)	
2	2	18375051/1	Slangklämma	Fair Led	
6	1	25598050/0	Oil Discharge Extension	Oil Discharge Extension	
7	1	18737849/0	Lock	Oil Cap	
8	1	18401001/1	Tätningring	Oil Seal	
10	4	112735108/1	Skruv	Screw	
11	1	12691115/0	Skruv	Screw	
12	1	12540260/0	Bricka	Grower	
13	1	12154210/0	Mutter	Nut	
21	1	182750009/0	Ljuddämpare	Muffler	
22	2	12793301/0	Skruv	Screw	
23	2	12540260/0	Bricka	Grower	
24	1	118738234/0	Avgasrör	Exhaust Right Tube	
25	1	118738235/0	Avgasrör	Exhaust Left Tube	
26	4	12735530/0	Skruv	Screw	
27	4	12583500/0	Lísbricka	Grower	
31	1	382598043/0	Skydd	Guard	
32	2	12791011/0	Skruv	Screw	
33	2	12292102/0	Mutter	Nut	
41	1	325735125/0	Tank	Tank	
42	1	325795003/0	Lock	Cap	
43	2	12788910/0	Skruv	Screw	
44	2	12500092/0	Rivet	Rivet	
45	1	125290002/0	Fuel Level Indicator	Fuel Level Indicator	
46	1	325600086/0	Skydd	Guard	
51	1	182000213/0	Gasreglage	Accelerator	
52	1	25394501/0	Handtag	Handle	
53	1	12726388/0	Skruv	Screw	
54	1	12290800/0	Mutter	Nut	
55	2	12788512/0	Skruv	Screw	
56	2	12581200/0	Grower	Grower	



## OVERLAND 20 - Model Year 2009

Pos. Fig.	Antal Quantity	Art No Part No	Benämning	Description	Anmärkning Notes
57	2	12521310/0	Bricka	Washer	
58	1	125090005/0	Chokereglage	Choke Control	

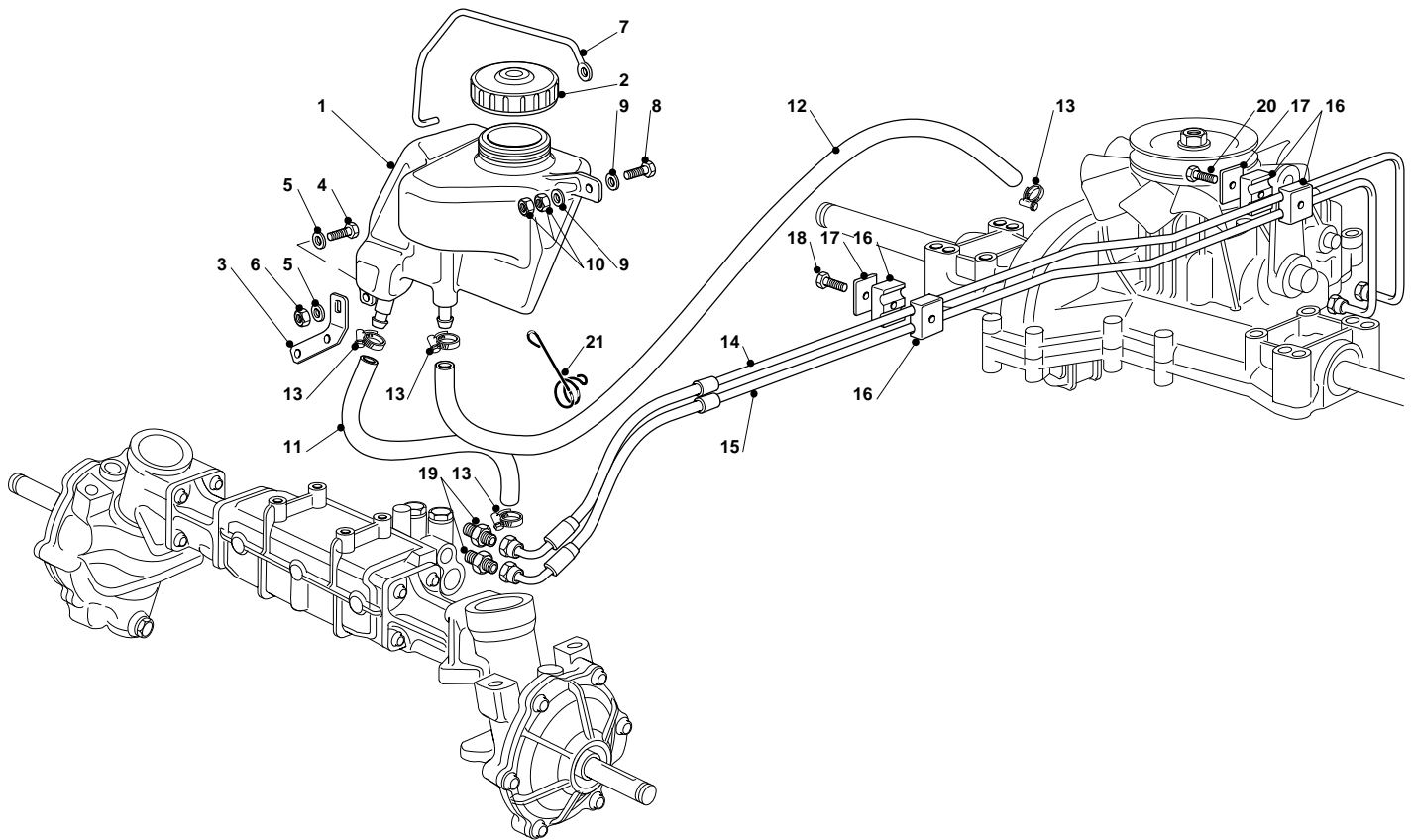
**OVERLAND 20 - Model Year 2009**


Pos. Fig.	Antal Quantity	Art No Part No	Benämning	Description	Anmärkning Notes
1	1	118399062/0	Koppling	Clutch	
2	1	25430210/0	Fjäder	Spring	
3	1	125601580/0	Remskiva	Pulley	
4	1	25160021/0	Distans	Spacer	
5	1	12737320/0	Skruv	Screw	
6	1	12543000/0	Bricka	Washer	
6a	1	82318165/1	Arm	Lever	
7	1	135062002/1	Drivrem	Belt	
7a	2	25038002/1	Bussning	Bush	
8	1	125160054/0	Distans	Spacer	
9	1	12692000/0	Skruv	Screw	
10	1	12155000/0	Mutter	Nut	
11	1	25510040/1	Sprint	Pin	
12	2	25670011/0	Bricka	Washer	
13	1	12155000/0	Mutter	Nut	
14	1	22943005/0	Skruv	Screw	
16	1	25430219/0	Fjäder	Spring	
17	1	25601554/0	Remskiva	Pulley	
18	1	12523060/0	Bricka	Washer	
19	1	12155000/0	Mutter	Nut	
20	1	25601555/0	Remskiva	Pulley	
21	1	25510036/1	Sprint	Pin	
22	1	12523060/0	Bricka	Washer	
23	2	12155000/0	Mutter	Nut	
24	1	325601584/0	Remskiva	Pulley	
25	1	125160050/0	Distans	Spacer	
26	4	12523060/0	Bricka	Washer	
27	2	12691115/0	Skruv	Screw	
28	4	12155000/0	Mutter	Nut	
29	4	25109521/1	Kípa	Cover	
30	3	325601583/0	Remskiva	Pulley	

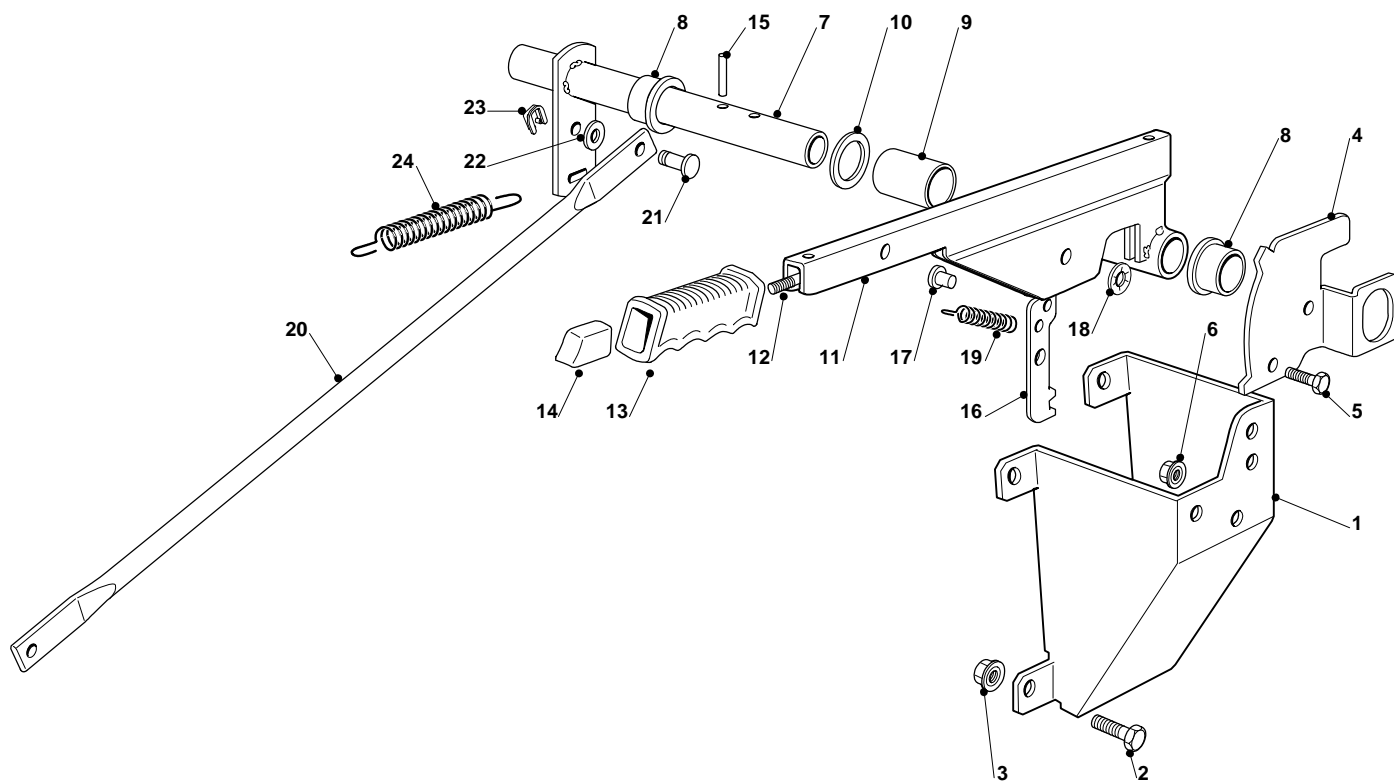


## OVERLAND 20 - Model Year 2009

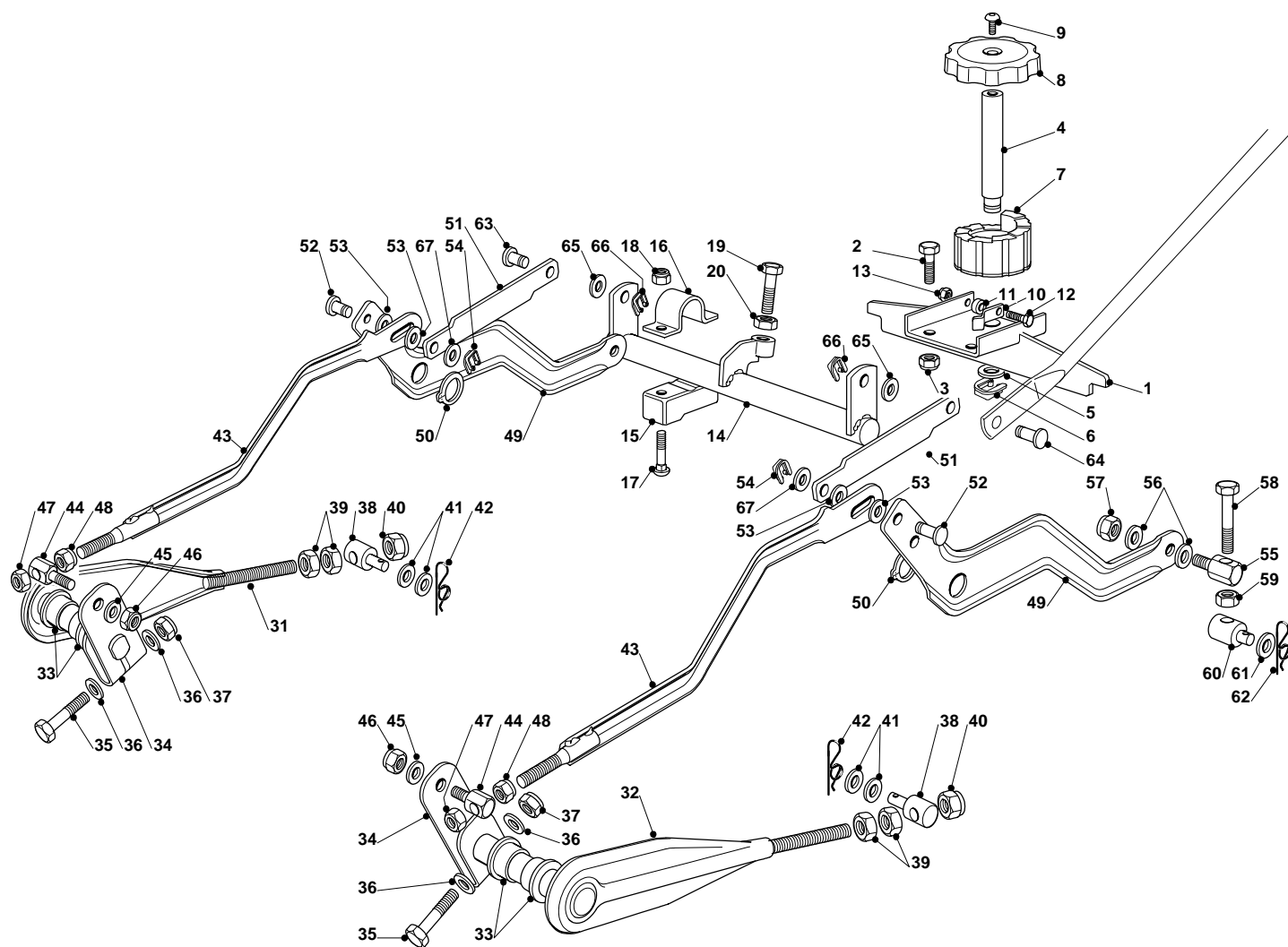
Pos. Fig.	Antal Quantity	Art No Part No	Benämning	Description	Anmärkning Notes
31	2	12691115/0	Skruv	Screw	
32	2	125160030/1	Distans	Spacer	
33	1	12691400/0	Skruv	Right Screw	
34	1	125160024/2	Distans	Spacer	
41	1	118400975/0	Rear Axle Tuff Torq K574D	Rear Axle Tuff Torq K574D	
42	4	12691800/0	Skruv	Screw	
43	4	12154210/0	Mutter	Nut	
44	1	382785175/0	Stöd	Support	
45	1	12735120/0	Skruv	Screw	
46	1	12293201/0	Mutter	Nut	
47	1	12792611/0	Skruv	Screw	
48	1	12293201/0	Mutter	Nut	
49	1	12691115/0	Skruv	Screw	
50	2	12521350/0	Bricka	Washer	
51	1	12155000/0	Mutter	Nut	
52	1	325547229/0	Arm	Lever	
53	1	125580031/0	Stång	Rod	
54	1	27510111/0	Sprint	Pin	
55	1	125033079/0	Stång	Rod	
56	3	12604896/0	Låsbricka	Snap Ring	
57	1	124487997/0	Låsnål	Cotter Pin	
71	2	182000602/0	Rimm	Rimm	
72	2	25950000/0	Ventil	Valve	
73	2	125590013/0	Tire	Tire	
74	2	325670025/0	Bricka	Washer	
75	4	112521410/0	Bricka	Washer	
76	2	25160023/0	Distans	Spacer	
77	2	25670005/1	Bricka	Washer	
78	2	12001010/0	Låsring	Snap Ring	

**OVERLAND 20 - Model Year 2009**


Pos. Fig.	Antal Quantity	Art No Part No	Benämning	Description	Anmärkning Notes
1	1	325735127/0	Tank	Tank	
2	1	125795002/0	Lock	Cap	
3	1	325755059/0	Fäste	Bracket	
4	1	12789100/0	Skruv	Screw	
5	2	12521320/0	Bricka	Washer	
6	1	12154330/0	Mutter	Nut	
7	1	125600085/0	Skydd	Guard	
8	1	12789100/0	Skruv	Screw	
9	2	12521320/0	Bricka	Washer	
10	2	12154330/0	Mutter	Nut	
11	1	325869076/0	Vevstake	Connecting Tube	
12	1	325869077/0	Vevstake	Connecting Tube	
13	4	118375059/0	Slangklämma	Fair Led	
14	1	382869200/0	Vevstake	Connecting Tube	
15	1	382869201/0	Vevstake	Connecting Tube	
16	4	325721000/0	Stöd	Support	
17	2	325547249/0	Plåt	Plate	
18	1	12689515/0	Skruv	Screw	
19	2	125651001/0	Rörförbindning	Tube Connection	
20	1	12674700/0	Skruv	Screw	
21	1	25430239/1	Fjäder	Spring	

**OVERLAND 20 - Model Year 2009**


Pos. Fig.	Antal Quantity	Art No Part No	Benämning	Description	Anmärkning Notes
1	1	325785137/1	Stöd	Support	
2	4	12791011/0	Skruv	Screw	
3	4	12292102/0	Mutter	Nut	
4	1	325735521/0	Sektor	Sector	
5	2	12793102/0	Skruv	Screw	
6	2	12293201/0	Mutter	Nut	
7	1	382000551/0	Axel	Axle	
8	2	22034523/0	Bussning	Bush	
9	1	25160025/0	Distans	Spacer	
10	1	22672153/0	Bricka	Washer	
11	1	382318241/0	Arm	Lever	
12	1	25033002/0	Länk	Rod	
13	1	25394504/1	Knopp	Knob	
14	1	25605000/1	Tryckring	Button	
15	2	12620206/0	Stift	Pin	
16	1	25470901/0	Dog	Dog	
17	1	25510011/0	Sprint	Pin	
18	1	12604899/0	Låsbricka	Crown Fastener	
19	1	25430208/0	Fjäder	Spring	
20	1	325033077/0	Vevstake	Connecting Rod	
21	1	25510053/1	Sprint	Pin (Mod. 122)	
22	1	25670011/0	Bricka	Washer	
23	7	12436050/0	Låsplatta	Plate	
24	1	25430218/0	Fjäder	Spring	

**OVERLAND 20 - Model Year 2009**


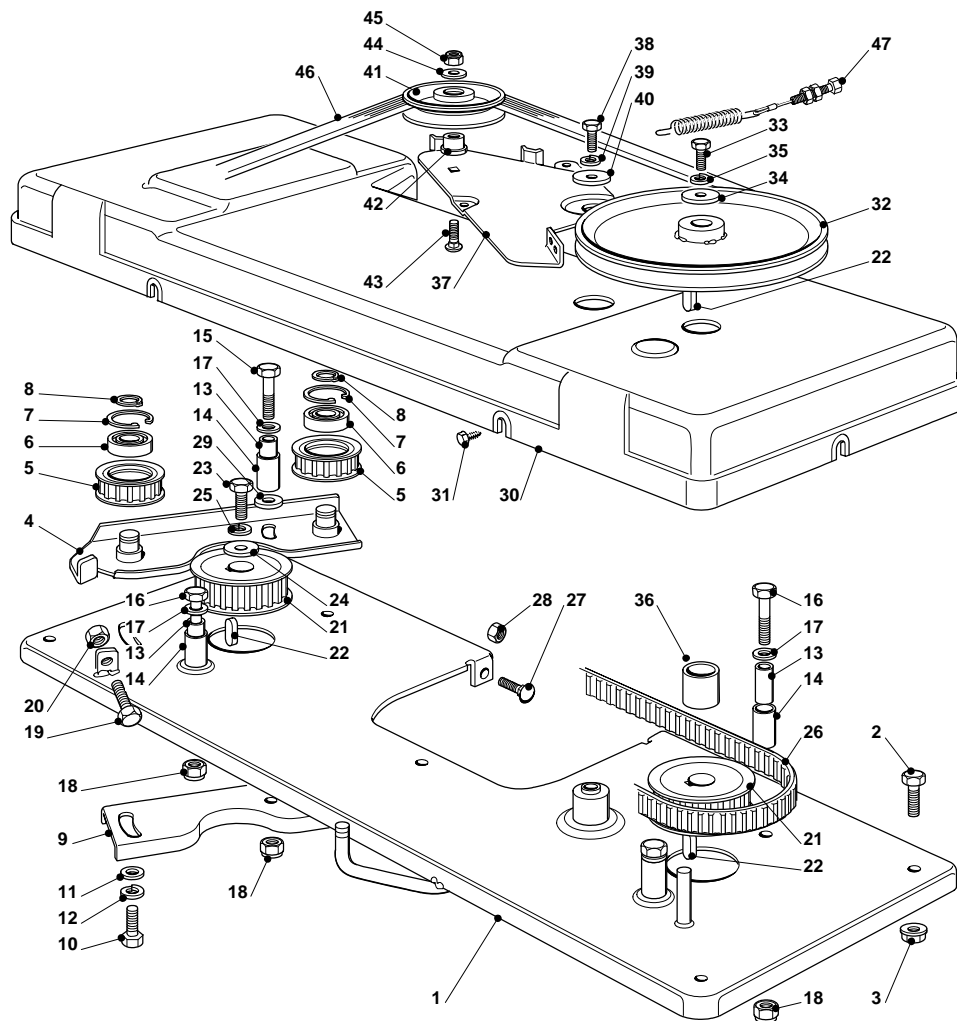
Pos. Fig.	Antal Quantity	Art No Part No	Benämning	Description	Anmärkning Notes
1	1	382785181/0	Stöd	Bracket	
2	2	12818690/0	Skruv	Screw	
3	2	12293201/0	Mutter	Nut	
4	1	125520009/0	Ryggfäste	Axle	
5	1	22672151/0	Bricka	Washer	
6	1	12436030/0	Platta	Plate	
7	1	325060037/0	Fäste	Cam	
8	1	325394530/0	Knopp	Knob	
9	1	112760600/0	Skruv	Screw	
10	1	325430267/0	Fjäder	Spring	
11	1	22170600/0	Distans	Spacer	
12	1	12789195/0	Skruv	Screw	
13	1	12154320/0	Mutter	Nut	
14	1	382000563/0	Axel	Axle	
15	2	325785292/0	Stöd	Bracket	
16	2	325547203/0	Plåt	Plate	
17	4	12815240/0	Skruv	Screw	
18	4	12154510/0	Mutter	Nut	
19	1	125943005/0	Skruv	Screw	
20	1	12295200/0	Mutter	Nut	
31	1	82318155/0	Right Lever (Mod. 102)	Right Lever (Mod. 102)	
32	1	82318157/0	Left Lever (Mod. 102)	Left Lever (Mod. 102)	
33	4	25040605/0	Bussning	Bush	
34	2	25318161/0	Arm	Lever	
35	2	12691700/0	Skruv	Screw	
36	4	12521350/0	Bricka	Washer	
37	2	12155000/0	Mutter	Nut	
38	2	25510069/0	Sprint	Pin	
39	4	12295200/0	Mutter	Nut	
40	2	12156602/0	Mutter	Nut	
41	4	25670008/1	Bricka	Washer	





## OVERLAND 20 - Model Year 2009

Pos. Fig.	Antal Quantity	Art No Part No	Benämning	Description	Anmärkning Notes
42	2	24487998/0	Låsnål	Cotter Pin	
43	2	82000477/2	Vevstake	Connecting Rod	
44	2	25510055/0	Sprint	Pin	
45	2	12521350/0	Bricka	Washer	
46	2	12155000/0	Mutter	Nut	
47	2	12155000/0	Mutter	Nut	
48	2	12293200/0	Mutter	Nut	
49	2	25318153/1	Rear Lever	Rear Lever	
50	2	12609255/0	Seegerring	Seeger	
51	2	325318223/0	Arm	Lever	
52	4	25510053/1	Sprint	Pin (Mod. 122)	
53	4	25670011/0	Bricka	Washer	
54	4	12436050/0	Låsplatta	Plate	
55	2	25510056/0	Sprint	Pin	
56	4	25670008/1	Bricka	Washer	
57	2	12156602/0	Mutter	Nut	
58	2	12794985/0	Skruv	Screw (Mod. 122)	
59	2	12295200/0	Mutter	Nut	
60	2	25510070/0	Sprint	Pin	
61	2	12523090/0	Bricka	Washer	
62	2	24487998/0	Låsnål	Cotter Pin	
63	1	25510053/1	Sprint	Pin (Mod. 122)	
64	1	25510048/0	Sprint	Pin (Mod. 122)	
65	2	25670011/0	Bricka	Washer	
66	2	12436050/0	Låsplatta	Plate	
67	2	12521350/0	Bricka	Washer	

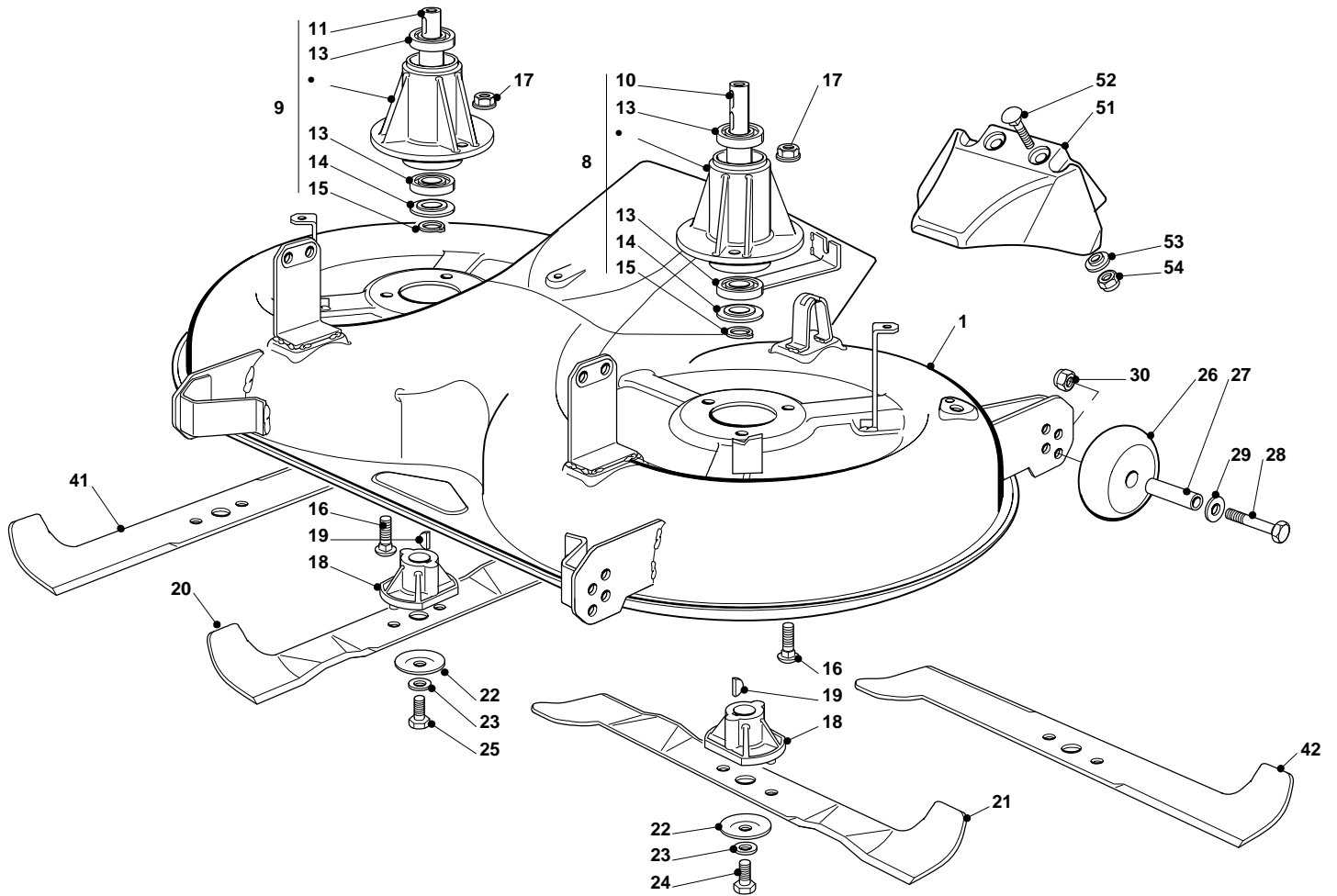
**OVERLAND 20 - Model Year 2009**


Pos. Fig.	Antal Quantity	Art No Part No	Benämning	Description	Anmärkning Notes
1	1	82547003/2	Plåt	Plate (Mod. 102)	
2	4	12792611/0	Skruv	Screw	
3	4	12293201/0	Mutter	Nut	
4	1	82785084/1	Stöd	Support	
5	2	25601559/1	Remskiva	Pulley (Mod. 102)	
6	2	19216033/1	Kullager	Bearing	
7	2	12610800/0	Seegerring	Seeger	
8	2	12609200/0	Seegerring	Seeger	
9	1	25650037/0	Reduktion	Stiffening	
10	2	12793102/0	Skruv	Screw	
11	2	12521350/0	Bricka	Washer	
12	2	12583500/0	Låsbricka	Grower	
13	4	25160003/0	Distans	Spacer	
14	4	25038000/0	Bussning	Bushing	
15	1	12691700/0	Skruv	Screw	
16	3	12691200/0	Skruv	Screw	
17	4	12521350/0	Bricka	Washer	
18	4	12155000/0	Mutter	Nut	
19	1	12793900/0	Skruv	Screw	
20	1	12293200/0	Mutter	Nut	
21	2	25601560/0	Remskiva	Pulley (Mod. 102)	
22	3	12139480/0	Kil	Key	
23	1	12793102/0	Skruv	Screw	
24	1	25670007/0	Bricka	Washer	
25	1	12583500/0	Låsbricka	Grower	
26	1	35065600/0	Drive belt	Belt (Mod. 102)	
27	3	12815200/0	Skruv	Screw	
28	3	12292102/0	Mutter	Nut	
29	1	12523060/0	Bricka	Washer	
30	1	325060128/0	Hus	Case (Mod. 102)	
31	6	12735110/0	Skruv	Screw	

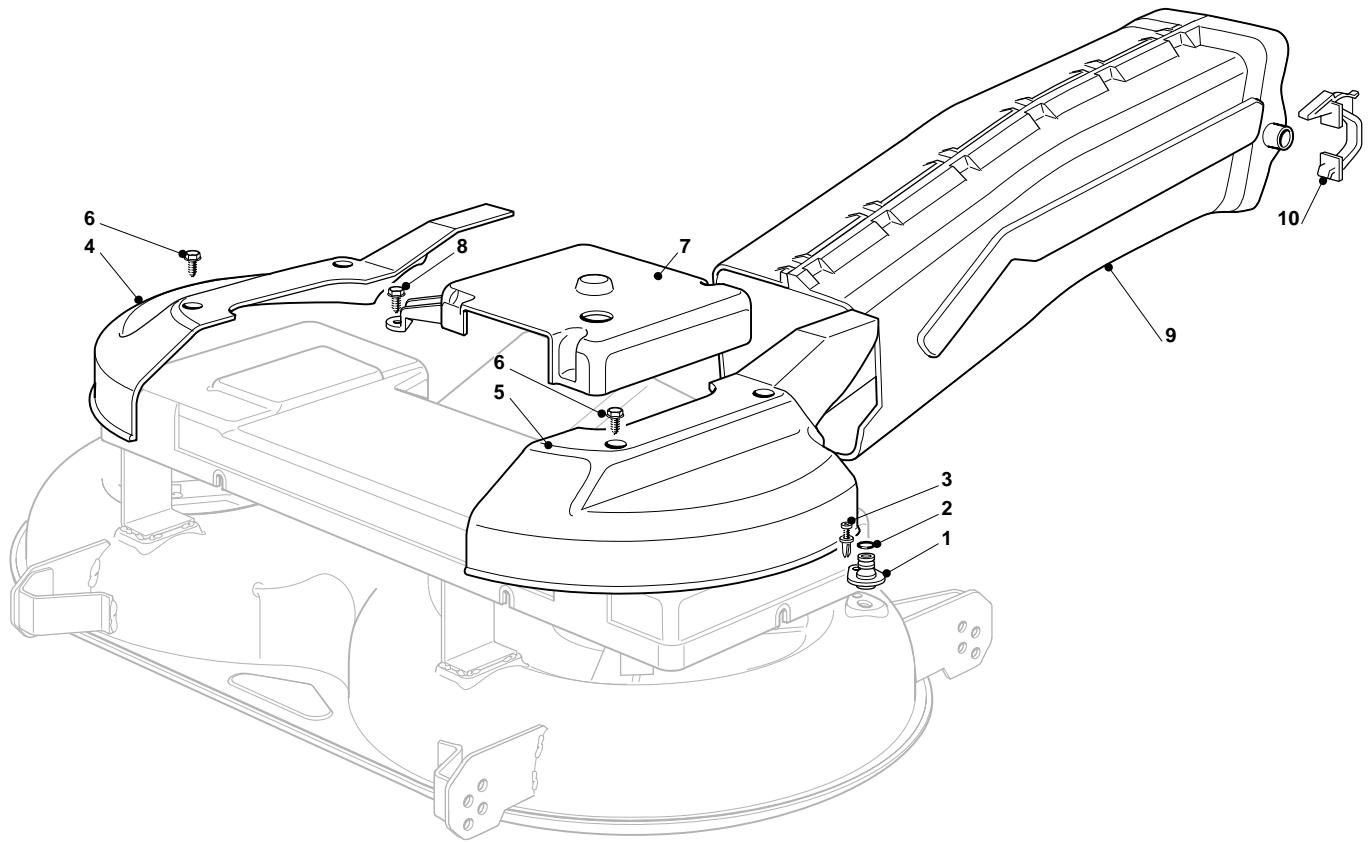


## OVERLAND 20 - Model Year 2009

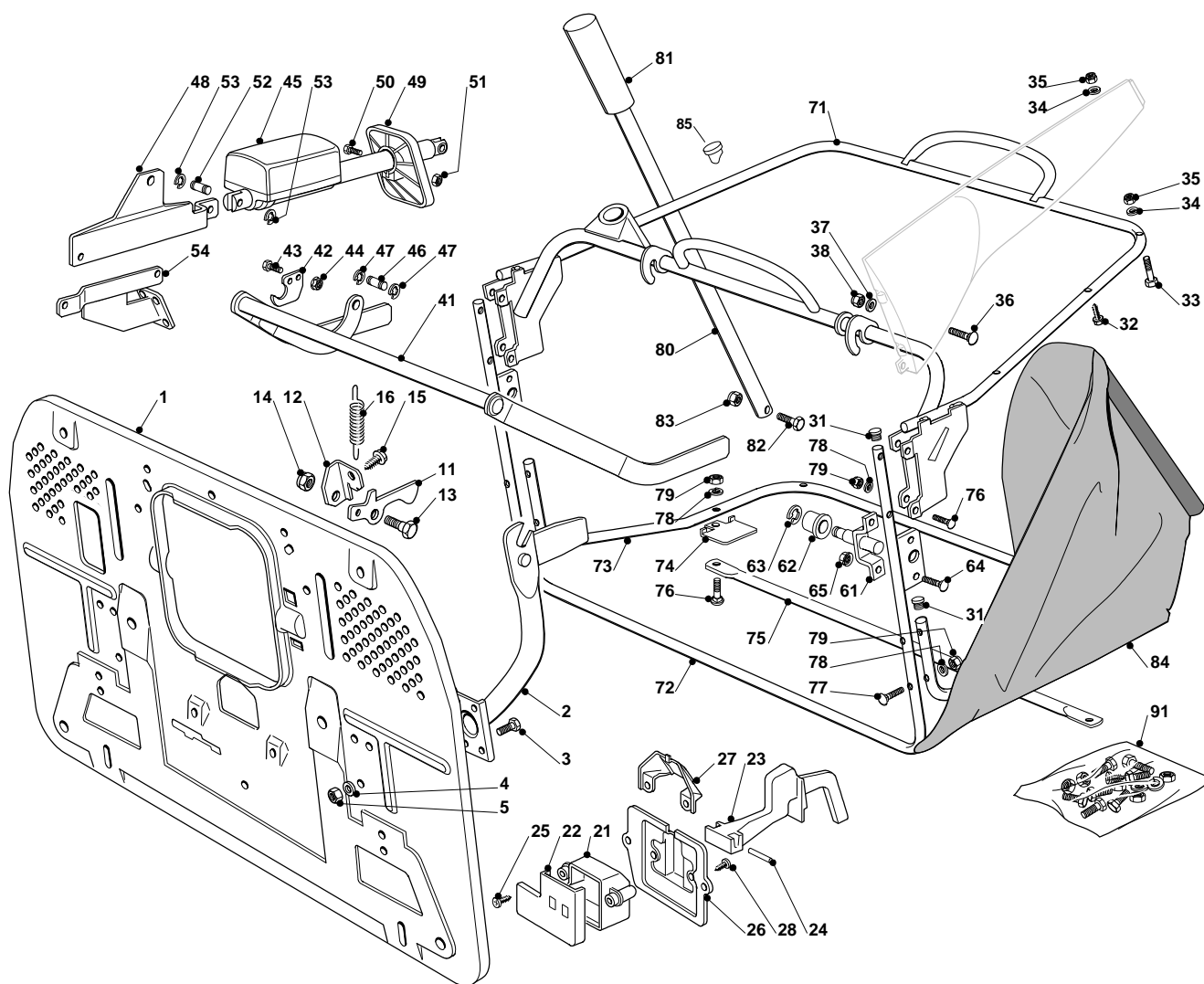
Pos. Fig.	Antal Quantity	Art No Part No	Benämning	Description	Anmärkning Notes
32	1	25601550/0	Remskiva	Pulley (Mod. 102)	
33	1	12793102/0	Skruv	Screw	
34	1	25670007/0	Bricka	Washer	
35	1	12583500/0	Låsbricka	Grower	
36	1	25160002/0	Distans	Spacer	
37	1	25318115/1	Bromsarm	Brake Lever (Mod. 102)	
38	1	12793102/0	Skruv	Screw	
39	1	12583500/0	Låsbricka	Grower	
40	1	12523070/0	Bricka	Washer	
41	1	25601555/0	Remskiva	Pulley	
42	1	25160007/0	Distans	Spacer	
43	1	12818900/0	Skruv	Screw	
44	1	12523060/0	Bricka	Washer	
45	1	12155000/0	Mutter	Nut	
46	1	35062811/0	Drive belt	Belt (Mod. 102)	
47	1	82004608/0	Kabel	Wire (Mod. 102)	



Pos. Fig.	Antal Quantity	Art No Part No	Benämning	Description	Anmärkning Notes
1	1	382564087/1	Cutting Plate Black	Cutting Plate Black	
8	1	82207200/1	Main Shaft Support	Main Shaft Support	
9	1	82207201/2	Secondary Shaft Support	Secondary Shaft Support	
10	1	25020800/1	Knivaxel	Main Blade Shaft	
11	1	25020801/2	Knivaxel	Secondary Blade Shaft	
13	4	19216032/0	Kullager	Bearing	
14	2	25160501/0	Dammskydd	Dust Cover	
15	2	12609260/0	Seegerring	Seeger	
16	6	12818700/0	Skruv	Screw	
17	6	12154210/0	Mutter	Nut	
18	2	25463200/0	Knivfäste	Blade Hub	
19	2	12139100/0	Kil	Key	
20	1	82004348/0	Kniv	Right Blade Mulching, Winged (Mod. 102)	
21	1	82004347/0	Kniv	Left Blade Mulching, Winged (Mod. 102)	
22	2	22160400/0	Bricka	Elastic Washer	
23	2	12523080/0	Bricka	Washer	
24	1	12735694/0	Skruv	Screw	
25	1	12735695/1	Skruv	Screw	
26	4	82700001/0	Stödhjul	Anti Scalp Wheel D.100	
27	4	25510072/0	Distans	Spacer	
28	4	12692050/0	Skruv	Screw	
29	4	12523060/0	Bricka	Washer	
30	4	12293201/0	Mutter	Nut	
41	1	82004341/1	Kniv	Right Blade, Winged	
42	1	82004340/1	Kniv	Left Blade, Winged	
51	1	325140100/0	Deflektor	Deflector	
52	2	12815210/0	Skruv	Screw	
53	2	25038002/1	Bussning	Bush	
54	2	12154510/0	Mutter	Nut	

**OVERLAND 20 - Model Year 2009**


Pos. Fig.	Antal Quantity	Art No Part No	Benämning	Description	Anmärkning Notes
1	2	25033060/0	Water Hose Connection	Water Hose Connection	
2	2	19035000/0	O-ring	Or Ring	
3	2	12500030/0	Rivet	Rivet	
4	1	25060104/0	Skydd	Guard (Tcx)	
4	1	25060113/0	Skydd	Guard Grey	
5	1	25060105/0	Skydd	Guard (Tcx)	
5	1	25060114/0	Skydd	Guard Grey	
6	4	12735403/0	Skruv	Screw	
7	1	25600049/0	Skydd	Guard (Mod. 102)	
8	3	12735403/0	Skruv	Screw	
9	1	382108017/0	Inmatningstratt	Conveyor (Mod. 102)	
10	2	25774373/0	Klämma	Clamp	

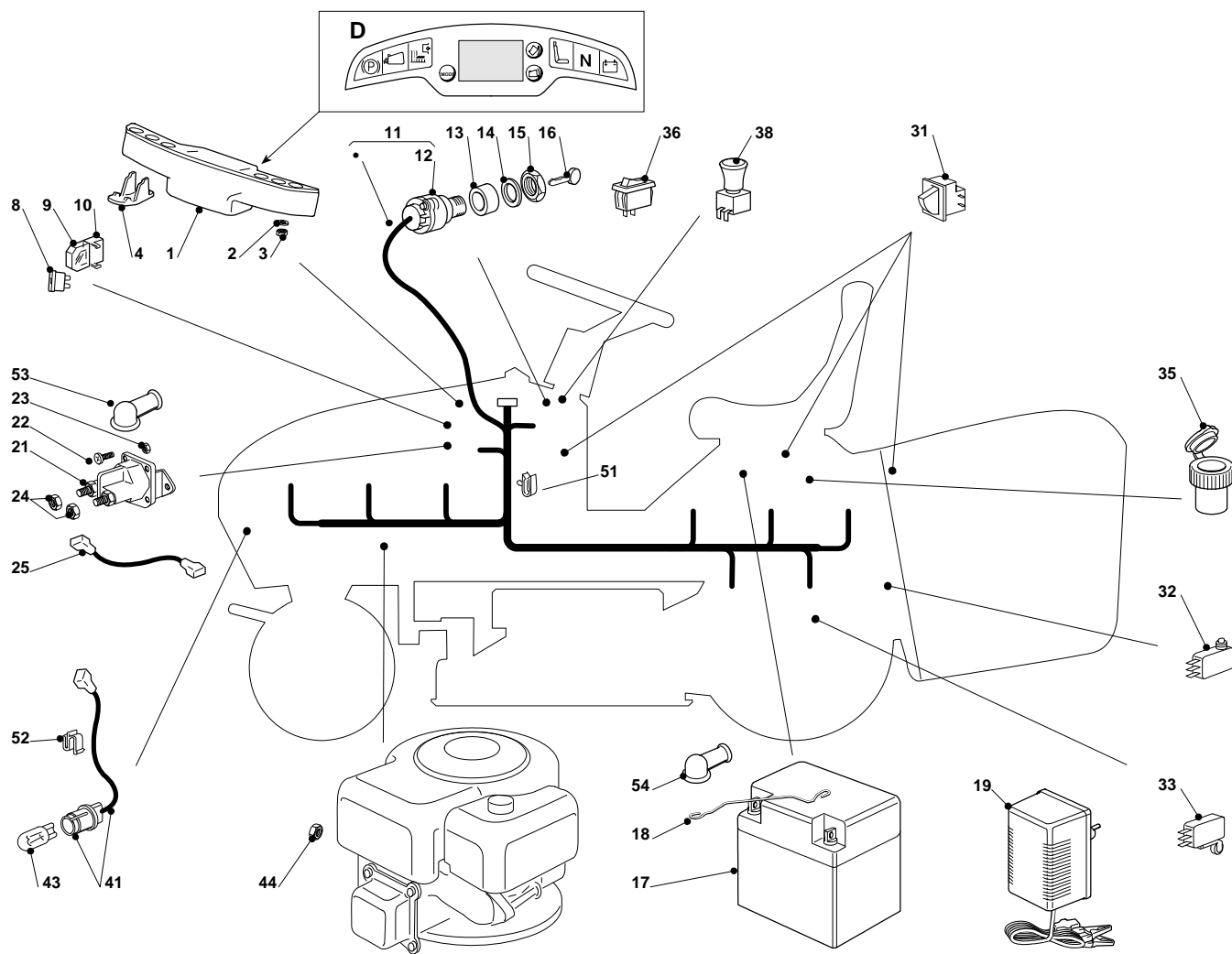
**OVERLAND 20 - Model Year 2009**


Pos. Fig.	Antal Quantity	Art No Part No	Benämning	Description	Anmärkning Notes
1	1	382547053/0	Mothäll	Plate	
2	2	82774245/0	Stöd	Support	
3	6	12793102/0	Skruv	Screw	
4	6	12523060/0	Bricka	Washer	
5	6	12293201/0	Mutter	Nut	
11	1	325774417/0	Fäste	Clamp	
12	1	25755031/0	Fästvinkel	Bracket	
13	1	25510080/0	Sprint	Pin	
14	1	12292102/0	Mutter	Nut	
15	1	12735122/0	Skruv	Screw	
16	1	25430220/0	Fjäder	Spring	
21	1	25600041/0	Skydd	Micro Protection	
22	1	25600042/0	Överbelastningsskydd	Protection Cover	
23	1	25318124/0	Arm	Lever	
24	1	12400030/0	Stift	Pin	
25	1	12728510/0	Skruv	Screw	
26	1	25785272/0	Knivskydd	Micro Protection	
27	1	25600048/0	Överbelastningsskydd	Protection Cover	
28	2	12728450/0	Skruv	Screw	
31	4	18566110/0	Plugg	Cap	
32	4	12735410/0	Skruv	Screw	
33	2	12689500/0	Skruv	Screw	
34	4	12521330/0	Bricka	Washer	
35	4	12154510/0	Mutter	Nut	
36	2	12815220/0	Skruv	Screw	
37	2	12521330/0	Bricka	Washer	
38	2	12154510/0	Mutter	Nut	
41	1	82000507/0	Axel	Axle	
42	2	25774317/0	Plåt	Plate	
43	4	12815210/0	Skruv	Screw	
44	4	12154510/0	Mutter	Nut	



## OVERLAND 20 - Model Year 2009

Pos. Fig.	Antal Quantity	Art No Part No	Benämning	Description	Anmärkning Notes
45	1	18001000/0	Aktuator	Actuator	
46	1	25510083/0	Sprint	Pin	
47	2	12000955/0	Låsring	Circlip	
48	1	25785197/0	Stöd	Support	
49	1	25600060/0	Skydd	Protection	
50	1	12727795/0	Skruv	Screw	
51	1	12154330/0	Mutter	Nut	
52	1	25510083/0	Sprint	Pin	
53	2	12000955/0	Låsring	Circlip	
54	1	82650209/0	Reduktion	Stiffening	
61	2	82785147/0	Stöd	Support	
62	2	25690001/0	Sprint	Roll	
63	2	12000956/0	Låsring	Benzing	
64	4	12818690/0	Skruv	Screw	
65	4	12293201/0	Mutter	Nut	
71	1	82800079/0	Chassi	Upper Frame	
72	1	82800089/0	Chassi	Front Frame	
73	1	325800029/0	Chassi	Lower Frame	
74	1	25547131/0	Plåt	Plate	
75	1	382650039/0	Trådbygel	Lower Stiffening	
76	6	12815220/0	Skruv	Screw	
77	4	12815245/0	Skruv	Screw	
78	10	12521330/0	Bricka	Washer	
79	10	12154510/0	Mutter	Nut	
80	1	25869029/1	Rör	Rod	
81	1	25394508/0	Handtag	Handle	
82	1	12674550/0	Skruv	Screw	
83	1	12154510/0	Mutter	Nut	
84	1	182105961/0	Uppsamlare	Grasscatcher	
85	1	25120232/0	Lock	Cap	
91	1	382180038/2	Skruvsats	Screws Outfit (*)	

**OVERLAND 20 - Model Year 2009**


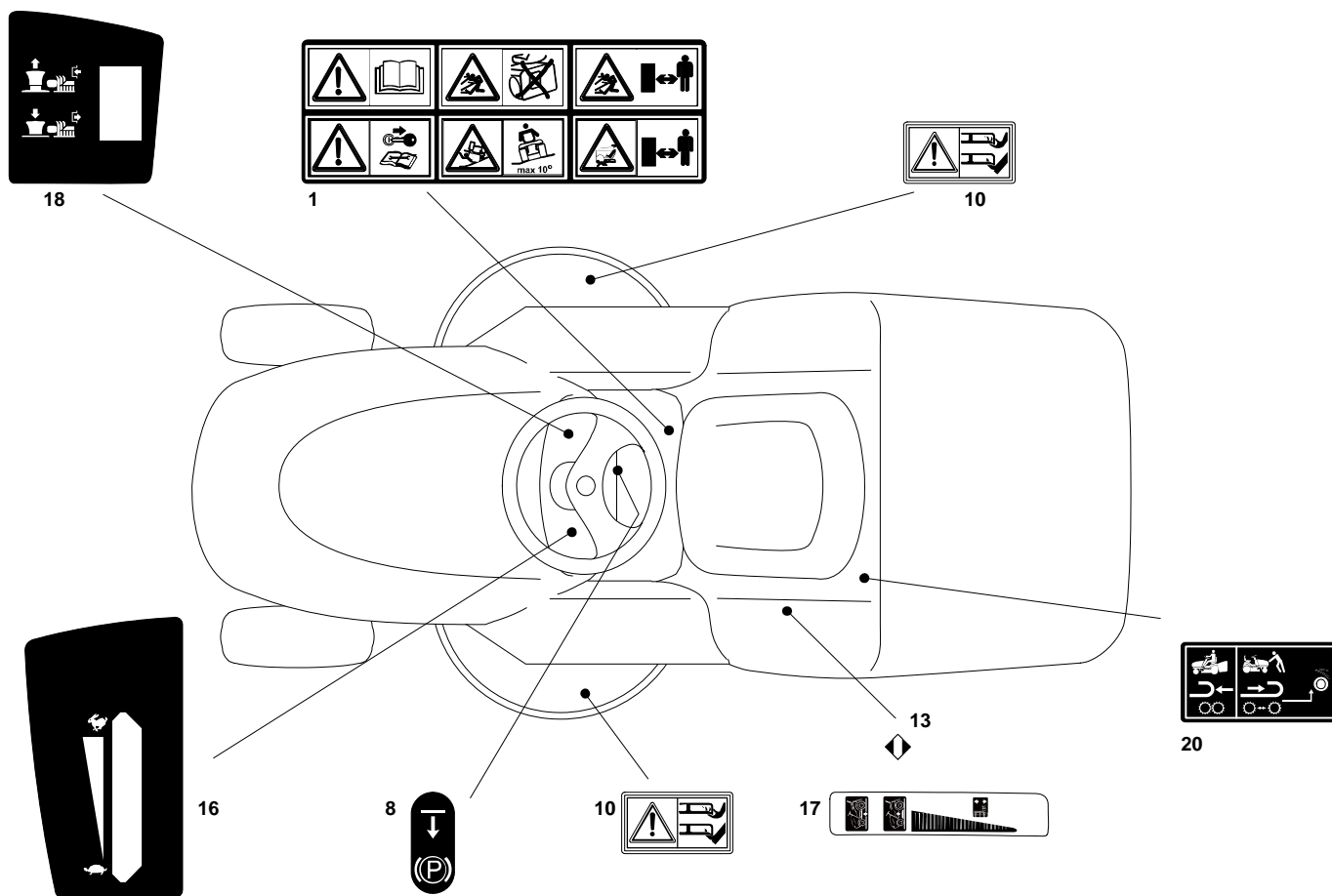
Pos. Fig.	Antal Quantity	Art No Part No	Benämning	Description	Anmärkning Notes
1	1	82722422/1	Skydd-röd	Cards + Guards	
2	2	12521320/0	Bricka	Washer	
3	2	12154330/0	Mutter	Nut	
4	1	25031501/0	Deflektor	Deflector	
8	1	33340035/0	Säkring	Fuse 15 A	
8	1	33340036/0	Säkring	Fuse 25 A	
8	1	33340040/0	Säkring	Fuse 10 A	
9	3	33215000/0	Kåpa	Cover	
10	3	33500007/0	Säkring	Fuse Carrier	
11	1	182040149/0	Kabel	Cables Ass.Y	
12	1	18450072/0	Brytare	Starting Switch	
13	1	18550136/0	Distans	Spacer	
14	1	18550135/0	Bricka	Washer	
15	1	18400862/0	Ringmutter	Ringnut	
16	1	18210022/0	Starting Key	Starting Key	
17	1	18120002/1	Batteri	Battery	
18	1	25430230/0	Fjäder	Spring	
19	1	82180050/0	Batteriladdare	Battery Charger	
19	1	82180052/0	Batteriladdare	Battery Charger (U.K.)	
21	1	18736111/0	Starter Relay	Starter Relay	
22	2	12791011/0	Skruv	Screw	
23	2	12292102/0	Mutter	Nut	
24	2	12360352/0	Mutter	Nut	
25	1	25065002/0	Kabel	Cable	
31	3	19410606/0	Micro	Micro	
32	1	19410605/1	Brytare	Full Grasscat. Microsw.	
33	1	19410609/0	Neutral Switch (Hydro)	Neutral Switch (Hydro)	
35	1	9400-0317-01	Auxiliary Accessory Socket	Auxiliary Accessory Socket	
36	1	18450060/1	Farilamp Switch	Farilamp Switch	
38	1	18450068/0	Kopplingshus	Clutch Switch	
41	1	82040073/0	Kabel	Cable	



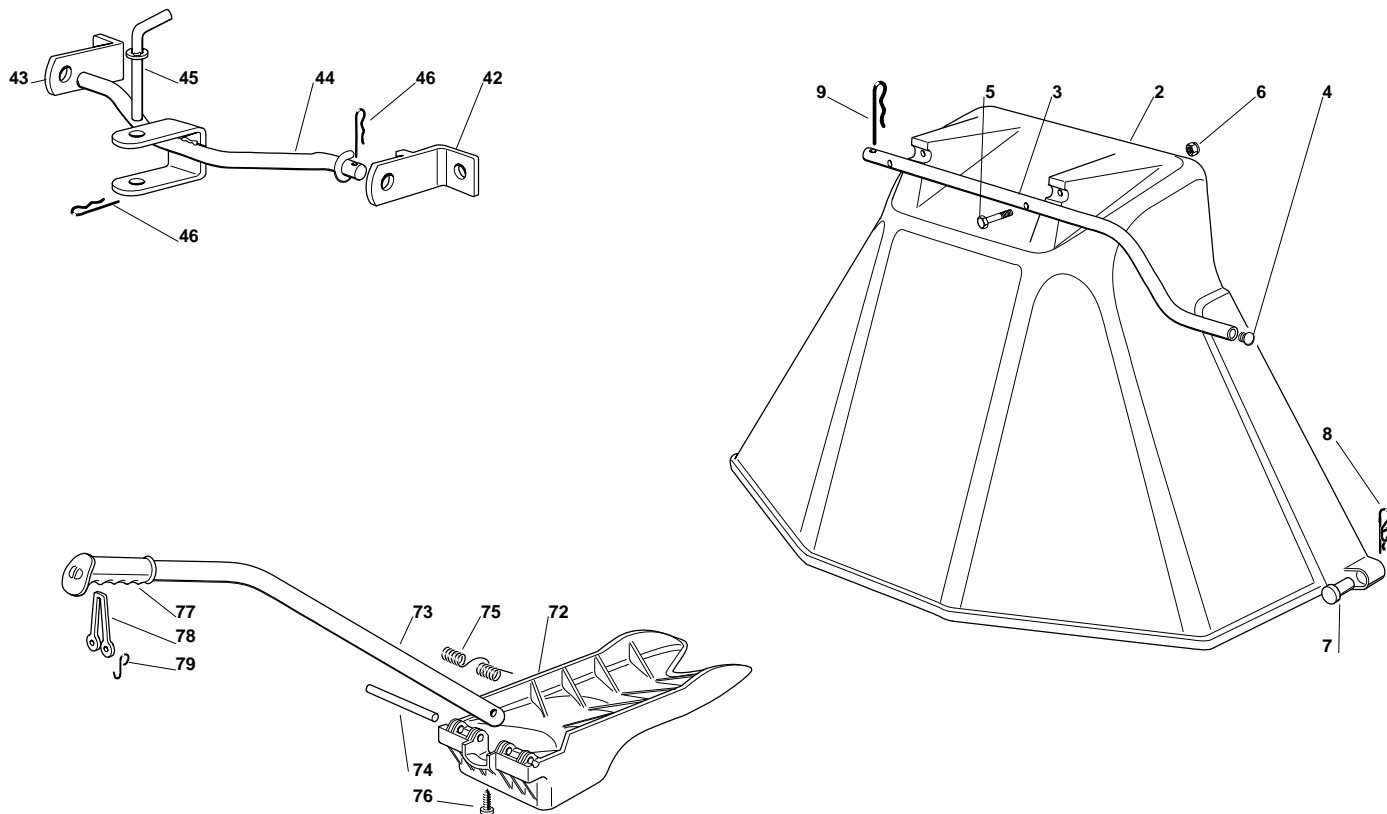


## OVERLAND 20 - Model Year 2009

Pos. Fig.	Antal Quantity	Art No Part No	Benämning	Description	Anmärkning Notes
43	2	18459100/0	Färlamp For Lights	Färlamp For Lights	
44	1	12361005/0	Mutter	Nut	
51	5	33320506/0	Kabelhållare	Fairled	
52	1	33320504/0	Kabelhållare	Fairled	
53	1	18564861/1	Tätningshylsa	Protection	
54	1	18564864/1	Tätningshylsa	Protection	



Pos. Fig.	Antal Quantity	Art No Part No	Benämning	Description	Anmärkning Notes
1	1	14361553/0	Dekal	Label	
10	2	114356699/1	Dekal	Label	
13	1	14357913/0	Dekal	Label	
16	1	14360716/0	Dekal	Label	
17	1	114363414/0	Dekal	Label	
18	1	14360715/2	Dekal	Label	
20	1	114363696/0	Dekal	Label (H4)	

**OVERLAND 20 - Model Year 2009**


Pos. Fig.	Antal Quantity	Art No Part No	Benämning	Description	Anmärkning Notes
2	1	82400003/1	Exit Protection	Ejection Guard	
3	1	25869043/0	Support	Support	
4	2	18566110/0	Plugg	Cap	
5	2	12689515/0	Skruv	Screw	
6	2	12154510/0	Mutter	Nut	
7	2	25510022/0	Sprint	Pin	
8	2	24487998/0	Lísníl	Cotter Pin	
9	1	24487999/0	Lísníl	Cotter Pin	
42	1	82735502/0	Fäste	Bracket Right Hitch Support	
43	1	25774213/0	Fäste	Bracket Left Hitch Support	
44	1	382033105/1	Stång	Rod	
45	1	25510021/1	Sprint	Pin	
46	2	24487999/0	Lísníl	Cotter Pin	
72	1	325140097/0	Deflektor	Deflector (Mod. 102)	
73	1	325394019/0	Styre	Handle	
74	1	25510074/0	Sprint	Pin	
75	1	25430240/0	Fjäder	Spring	
76	1	12728680/0	Skruv	Screw	
77	1	25280000/1	Handtag	Handgrip	
78	1	25840011/1	Hake	Elastic Tie-Rod	
79	2	25253004/0	Hake	Hook	