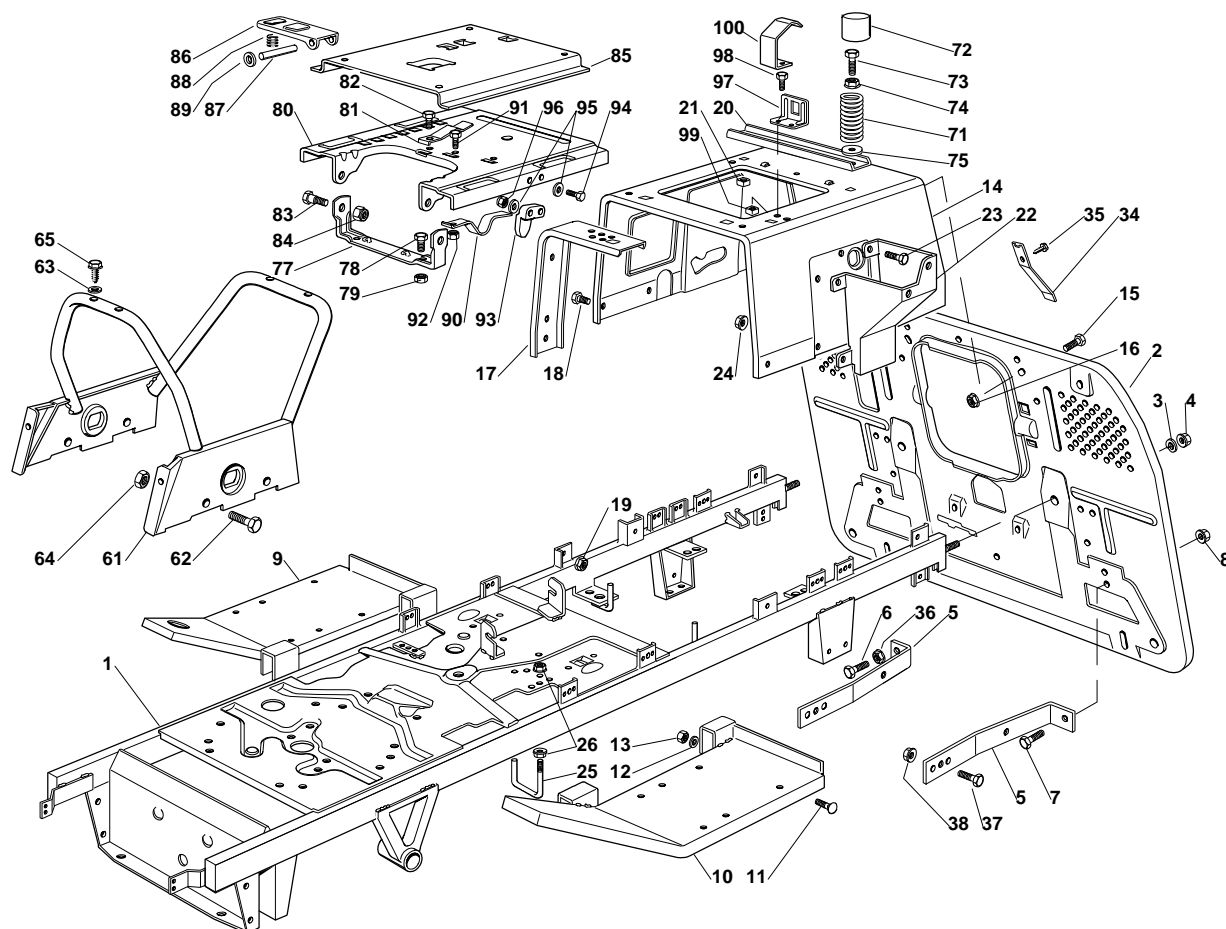


# **Genuine Spare Parts**

---

**ST 10214**



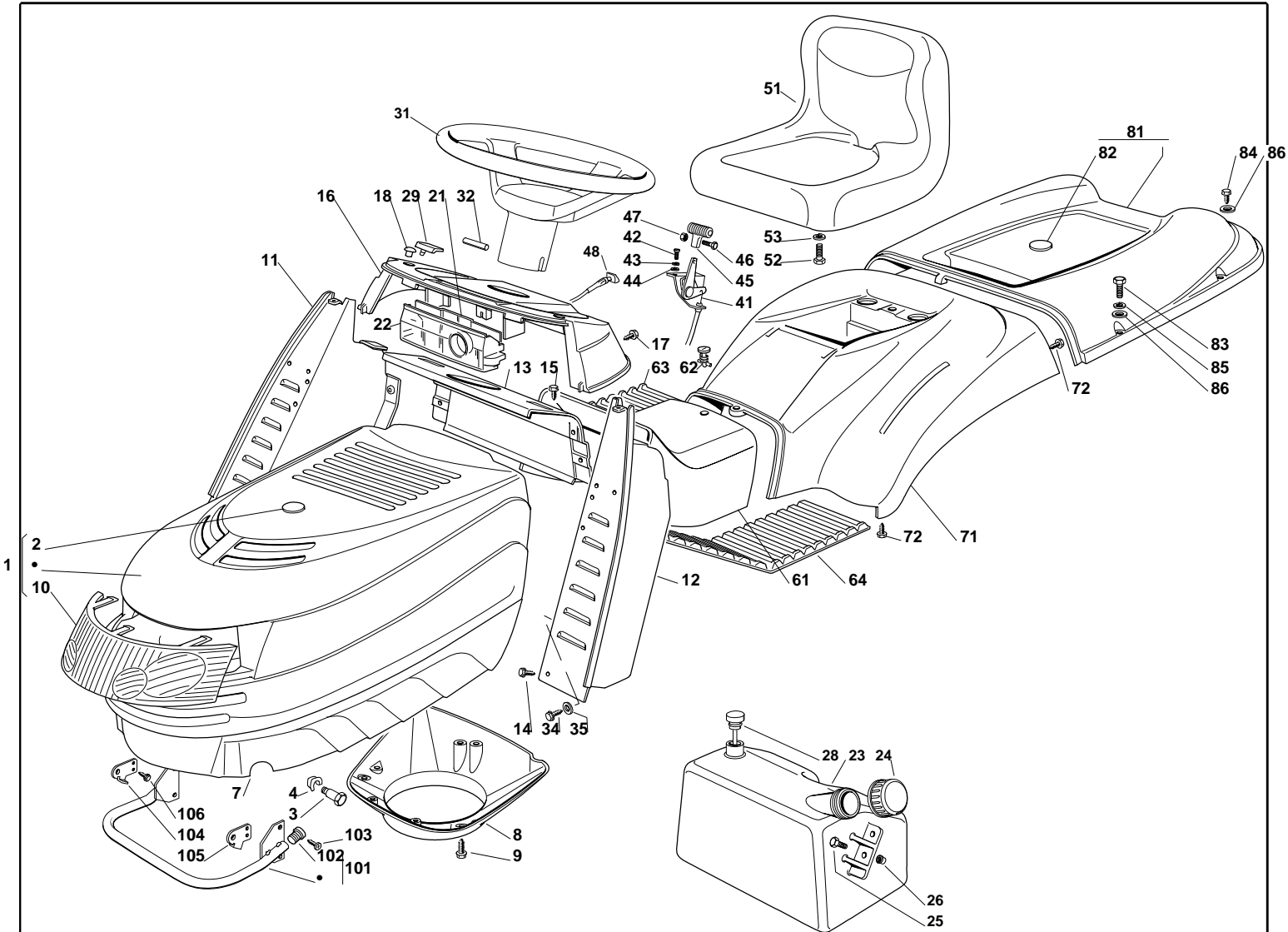
**ST 10214 - Model Year 2009**


Pos. Fig.	Antal Quantity	Art No Part No	Benämning	Description	Anmärkning Notes
2	1	382547051/0	Mothäll	Plate	
3	2	12585100/0	Grower	Grower	
4	2	12295200/0	Mutter	Nut	
5	2	25774273/1	Reduktion	Stiffening	
6	1	12691100/0	Skruv	Screw	
7	3	12793102/0	Skruv	Screw	
8	4	12293201/0	Mutter	Nut	
9	1	382510041/2	Right Footboard Support	Right Footboard Support	
10	1	382510043/2	Left Footboard Support	Left Footboard Support	
11	4	12815245/0	Skruv	Screw	
12	4	12523040/0	Bricka	Washer	
13	4	12154510/0	Mutter	Nut	
14	1	325785133/4	Seat Support	Seat Support	
15	5	12791011/0	Skruv	Screw	
16	5	12292102/0	Mutter	Nut	
17	2	25650065/0	Reduktion	Stiffening	
18	6	12791011/0	Skruv	Screw	
19	6	12292102/0	Mutter	Nut	
20	1	25650067/0	Reduktion	Stiffening	
21	2	12360420/0	Mutter	Nut	
22	1	325785137/1	Stöd	Support	
23	4	12791011/0	Skruv	Screw	
24	4	12292102/0	Mutter	Nut	
25	1	25580019/0	Remstyrning	Belt Guide	
26	2	12292102/0	Mutter	Nut	
34	1	25430238/0	Fjäder	Spring	
35	1	12731580/0	Skruv	Screw	
36	1	12293200/0	Mutter	Nut	
37	2	12793102/0	Skruv	Screw	
38	2	12293201/0	Mutter	Nut	
61	1	82650041/1	Chassi	Chassis	



## ST 10214 - Model Year 2009

Pos. Fig.	Antal Quantity	Art No Part No	Benämning	Description	Anmärkning Notes
62	4	12792611/0	Skruv	Screw	
63	4	12521330/0	Bricka	Washer	
64	4	12293201/0	Mutter	Nut	
65	4	12731350/0	Skruv	Screw	
66	1	22167840/0	Distans	Spacer (Wheels 15")	
67	1	12691200/0	Skruv	Screw	
68	1	12293201/0	Mutter	Nut	
71	2	25430205/1	Fjäder	Spring	
72	2	25122000/2	Styrning	Hood	
73	2	25943001/0	Skruv	Screw	
74	2	12293201/0	Mutter	Nut	
75	2	12523070/0	Bricka	Washer	
77	1	82774207/0	Seat Clamp Support	Seat Clamp Support	
78	2	12792611/0	Skruv	Screw	
79	2	12293201/0	Mutter	Nut	
80	1	25785149/2	Lufffilterhus	Fixed Seat Supp.	
81	1	25430203/0	Fjäder	Spring	
82	1	12731580/0	Skruv	Screw	
83	2	22524970/2	Sprint	Pin	
84	2	12155010/0	Mutter	Nut	
85	1	25785147/0	Seat Support	Seat Support	
86	1	25318109/0	Arm	Stop Lever	
87	1	25510000/0	Sprint	Pin	
88	1	25430202/0	Fjäder	Spring	
89	2	12604897/0	Låsring	Washer	
90	1	25430223/2	Fjäder	Spring	
91	1	12789000/0	Skruv	Screw	
92	1	12154330/0	Mutter	Nut	
93	1	25060033/0	Fäste	Cam	
94	2	12815050/0	Skruv	Screw	
95	4	12521320/0	Bricka	Washer	
96	2	12154330/0	Mutter	Nut	
97	1	25755025/1	Fästvinkel	Bracket	
98	2	12735110/0	Skruv	Screw	
99	2	12437502/0	Mutter	Nut	
100	1	25430255/0	Fjäder	Spring	

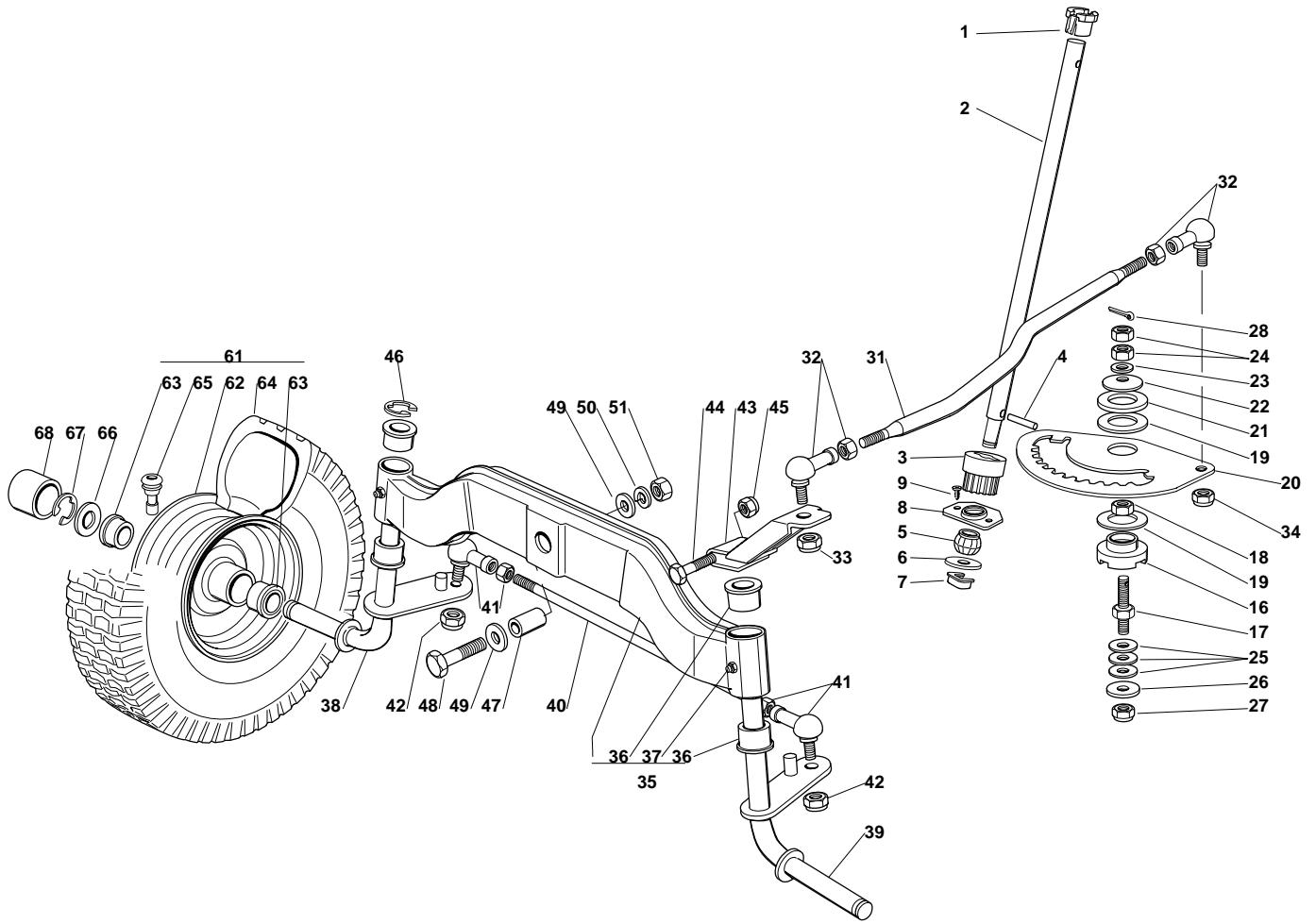


Pos. Fig.	Antal Quantity	Art No Part No	Benämning	Description	Anmärkning Notes
1	1	82076920/1	Upper Engine Hood	Upper Engine Hood	
2	1	25547105/0	Platta	Plate	
7	1	25076808/0	Lower Engine Hood	Lower Engine Hood	
8	1	25108028/0	Intake Separator	Intake Separator	
9	3	12728686/0	Skruv	Screw	
10	1	25410859/0	Frontklåpa	Grill	
11	1	82785022/7	Right Dashboard Supp.	Right Dashboard Supp.	
12	1	82785021/6	Left Dashboard Supp.	Left Dashboard Supp.	
13	1	82785137/0	Central Dashboard Supp	Central Dashboard Supp	
14	2	12735110/0	Skruv	Screw	
15	4	12735110/0	Skruv	Screw	
16	1	25120171/1	Panel	Dashboard	
17	4	12728440/0	Skruv	Screw	
18	2	25120200/0	Lock	Plug	
21	1	25600009/0	Skydd-röd	Card Protection	
22	1	25600051/0	Skydd-röd	Card Protection	
23	1	25735111/3	Tank	Tank	
24	1	25795000/1	Lock	Cap	
25	2	12788910/0	Skruv	Screw	
26	2	12500092/0	Rivet	Rivet	
28	1	25290000/0	Fuel Level Indicator	Fuel Level Indicator	
29	2	25260000/0	Hylsa	Grommet	
31	1	25961210/0	Stift	Steering Wheel	
32	1	12620299/0	Stift	Pin	
33	1	25120231/0	Lock	Cap	
34	2	12731350/0	Skruv	Screw	
35	2	12521330/0	Bricka	Washer	
41	1	82000201/2	Gasreglage	Accelerator	
42	2	12788512/0	Skruv	Screw	
43	2	12581200/0	Grower	Grower	
44	2	12521310/0	Bricka	Washer	



## ST 10214 - Model Year 2009

Pos. Fig.	Antal Quantity	Art No Part No	Benämning	Description	Anmärkning Notes
45	1	25394501/0	Handtag	Handle	
46	1	12726388/0	Skruv	Screw	
47	1	12290800/0	Mutter	Nut	
48	1	25090001/2	Chokereglage	Choke Control	
51	1	25722457/0	Seat	Seat	
52	4	12793101/0	Skruv	Screw	
53	4	12583500/0	Låsbricka	Grower	
61	1	25110106/0	Kåpa	Cover (Hydro) Red	
62	1	25580020/0	Axelförlängning	Pivot	
63	1	25110270/0	Right Footboardcover	Right Footboardcover	
64	1	25110260/2	Left Footboard Cover	Left Footboard Cover	
71	1	25109717/0	Kåpa	Wheels Cover (Hydro)	
72	4	12735402/0	Skruv	Screw	
81	1	82110213/0	Kåpa	Grass-Catcher Cover	
82	1	25547105/0	Platta	Plate	
83	2	12674701/0	Skruv	Screw	
84	4	12729601/1	Skruv	Screw	
85	2	12582101/0	Grower	Grower	
86	6	12521331/0	Bricka	Washer	
101	1	82869006/1	Ljuddämparskydd	Muffler Protection	
102	2	18566110/0	Plugg	Cap	
103	4	12734995/0	Skruv	Screw	
104	1	25547089/0	Plåt	Right Plate	
105	1	25547091/0	Platta	Left Plate	
106	4	12731580/0	Skruv	Screw	

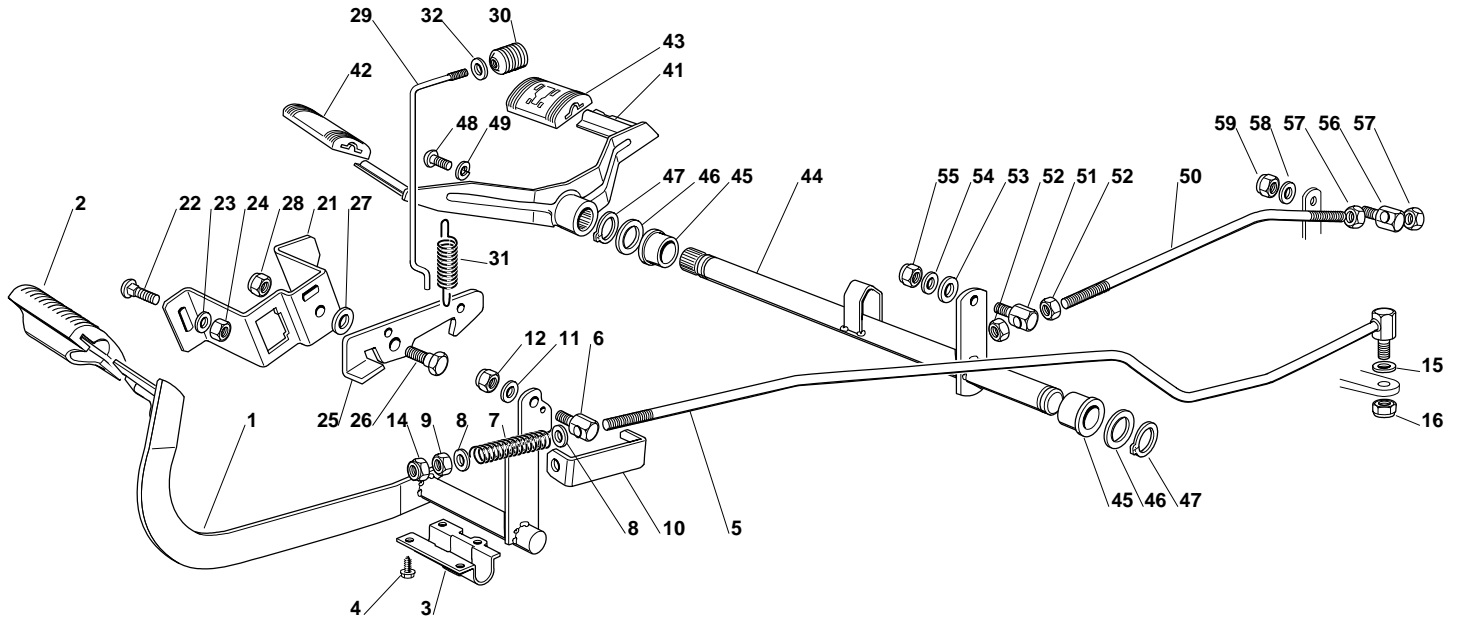


Pos. Fig.	Antal Quantity	Art No Part No	Benämning	Description	Anmärkning Notes
1	1	25038004/0	Bussning	Bush	
2	1	25520005/0	Steering Column	Steering Column	
3	1	25570000/2	Drev	Pinion	
4	1	12622650/0	Stift	Pin	
5	1	25743000/0	Ledkåpa, vä+hö	Joint	
6	1	12521370/0	Bricka	Washer	
7	1	12436030/0	Platta	Plate	
8	1	25785213/0	Stöd	Support	
9	2	12729601/1	Skruv	Screw	
16	1	25040617/0	Bussning	Bush	
17	1	25510065/1	Sprint	Pin	
18	1	12295200/0	Mutter	Nut	
19	2	25670012/0	Bricka	Washer	
20	1	25735507/0	Steering Shaft	Steering Shaft	
21	1	25670014/0	Bricka	Washer	
22	1	22160400/0	Bricka	Elastic Washer	
23	1	12521360/0	Bricka	Washer	
24	2	12295200/0	Mutter	Nut	
25	3	22672150/0	Bricka	Washer	
26	1	12523080/0	Bricka	Washer	
27	1	12156602/0	Mutter	Nut	
28	1	12141418/0	Låsnål	Cotter Pin	
31	1	25033003/1	Stång	Steering Rod	
32	2	22746600/0	Ledkåpa, vä+hö	Joint	
33	1	12156602/0	Mutter	Nut	
34	1	12156602/0	Mutter	Nut	
35	1	82034001/3	Equalizer With Bush (With 36 + 37)	Equalizer With Bush (With 36 + 37)	
36	4	25034002/1	Bussning	Brass	
37	2	12379511/0	Smörjnippel	Grease Dispenser	
38	1	82230349/0	Right Stub Axle	Right Stub Axle	
39	1	82230348/0	Left Stub Axle	Left Stub Axle	



## ST 10214 - Model Year 2009

Pos. Fig.	Antal Quantity	Art No Part No	Benämning	Description	Anmärkning Notes
40	1	25840001/0	Stång	Tie Rod	
41	2	22746600/0	Ledklåpa, vä+hö	Joint	
42	2	12156602/0	Mutter	Nut	
43	1	82318101/0	Arm	Lever	
44	1	12691700/0	Skruv	Screw	
45	1	12155000/0	Mutter	Nut	
46	1	12001000/0	Låsring	Snap Ring	
47	1	25160005/0	Distans	Spacer	
48	1	12694100/0	Skruv	Screw	
49	2	12521390/0	Bricka	Washer	
50	1	12587900/0	Grower	Grower	
51	1	12295800/0	Mutter	Nut	
61	2	82680002/2	Framhjul Kpl	Front Wheel Turf Saver Carlisle	
61	2	82680005/1	Framhjul Kpl	Front Wheel Deli Tire	
62	2	82000590/1	Rimm	Rimm	
63	4	25122200/2	Lager	Bearing	
64	2	25590000/0	Tire Turf Saver Carlisle	Tire Turf Saver Carlisle	
64	2	25590002/0		Tire Deli Tire	
65	2	25950000/0	Ventil	Valve	
66	2	25670005/1	Bricka	Washer	
67	2	12001000/0	Låsring	Snap Ring	
68	2	22110230/0	Lock	Cap	



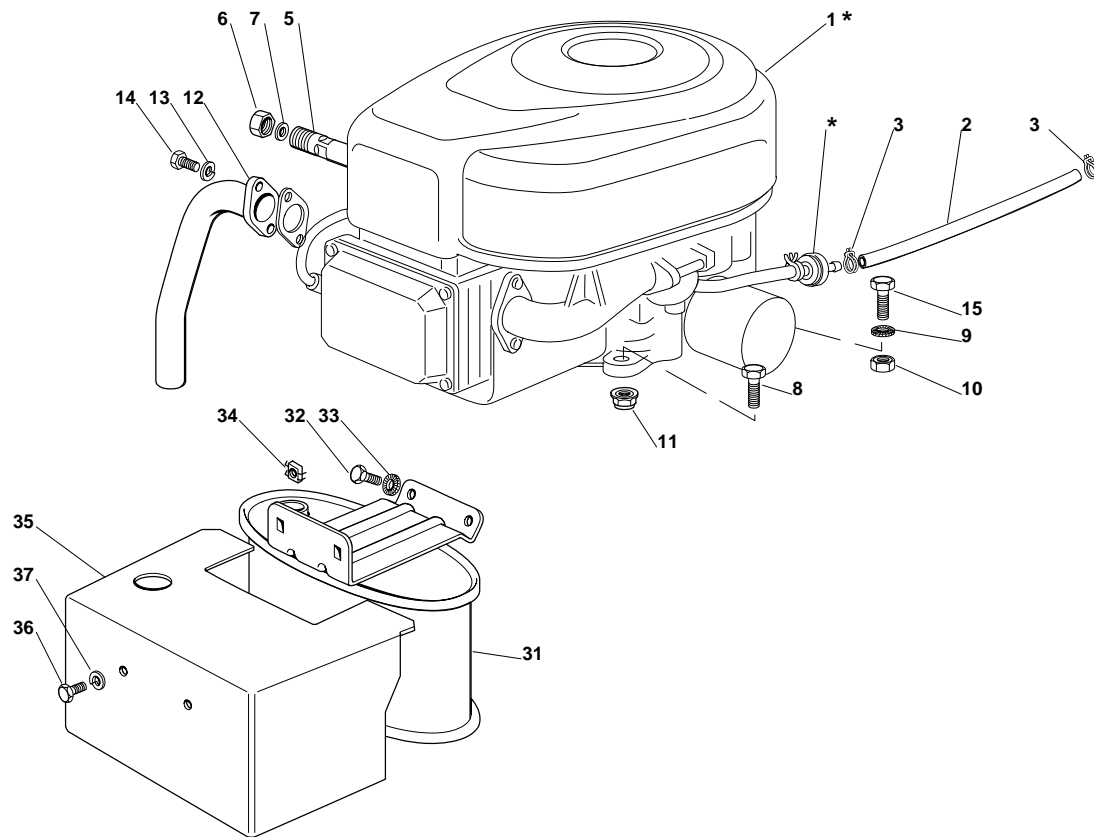
Pos. Fig.	Antal Quantity	Art No Part No	Benämning	Description	Anmärkning Notes
1	1	82500011/2	Pedal	Pedal	
2	1	25110267/0	Clamp Cover	Clamp Cover	
3	1	25547081/1	Påt	Plate	
4	4	12731601/0	Skruv	Screw	
5	1	82000487/0	Länk	Rod	
6	1	25510052/0	Sprint	Pin	
7	1	25430236/0	Fjäder	Spring	
8	2	12521360/0	Bricka	Washer	
9	1	12295200/0	Mutter	Nut	
10	1	25774275/0	Klämma	Clamp	
11	1	12521350/0	Bricka	Washer	
12	1	12155000/0	Mutter	Nut	
14	1	12156602/0	Mutter	Nut	
15	1	12521350/0	Bricka	Washer	
16	1	12155000/0	Mutter	Nut	
21	1	25785143/0	Stöd	Support	
22	2	12815210/0	Skruv	Screw	
23	1	12523040/0	Bricka	Washer	
24	2	12154510/0	Mutter	Nut	
25	1	25253001/0	Hake	Hook	
26	1	22524970/2	Sprint	Pin	
27	1	25670011/0	Bricka	Washer	
28	1	12155000/0	Mutter	Nut	
29	1	25033034/0	Länk	Rod	
30	1	25394509/1	Knopp	Knob	
31	1	25430213/0	Fjäder	Spring	
32	1	12523020/0	Bricka	Washer	
41	1	82500013/0		Drive Pedal	
42	1	25110265/0	Clamp Cover Front	Clamp Cover Front	
43	1	25110266/0	Clamp Cover Rear	Clamp Cover Rear	
44	1	82000481/0	Axel	Axle	



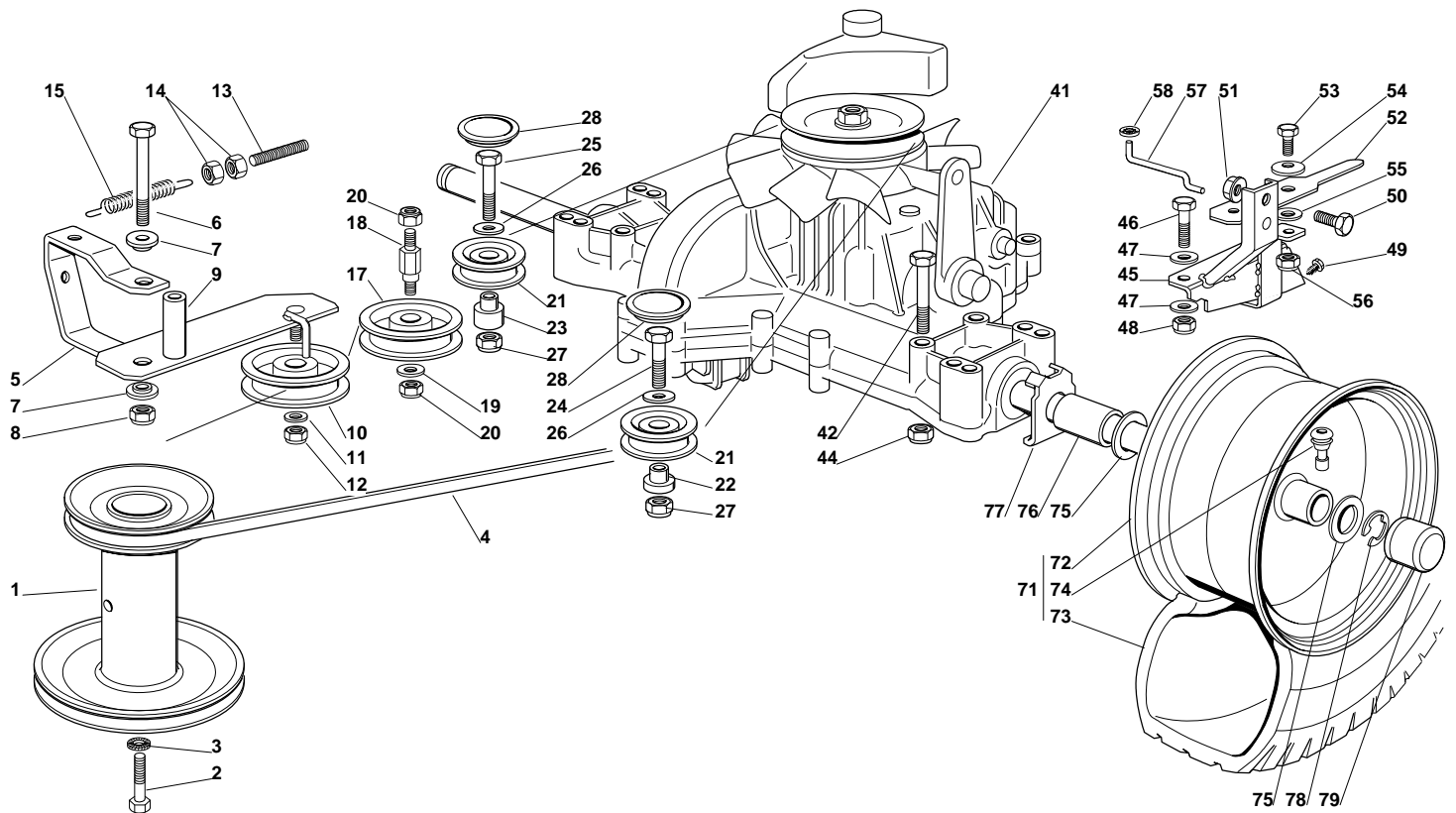


## ST 10214 - Model Year 2009

Pos. Fig.	Antal Quantity	Art No Part No	Benämning	Description	Anmärkning Notes
45	2	22034523/0	Bussning	Bush	
46	2	22672153/0	Bricka	Washer	
47	2	12609260/0	Seegerring	Seeger	
48	1	12760600/0	Skruv	Screw	
49	1	12583501/0	Grower	Grower	
50	1	25033031/0	Länk	Rod	
51	1	25510054/0	Sprint	Pin	
52	2	12293200/0	Mutter	Nut	
53	1	12521360/0	Bricka	Washer	
54	1	12523040/0	Bricka	Washer	
55	1	12154510/0	Mutter	Nut	
56	1	25510054/0	Sprint	Pin	
57	2	12155000/0	Mutter	Nut	
58	1	12523040/0	Bricka	Washer	
59	1	12154510/0	Mutter	Nut	



Pos. Fig.	Antal Quantity	Art No Part No	Benämning	Description	Anmärkning Notes
1*	1	—	Motor kpl	Engine	
2	1	25869016/1	Vevstake	Connecting Tube	
3	2	18375051/1	Slangklämma	Fair Led	
5	1	25598050/0	Oil Discharge Extension	Oil Discharge Extension	
6	1	18737849/0	Lock	Oil Cap	
7	1	18401001/1	Tätningring	Oil Seal	
8	3	12691100/0	Skruv	Screw	
9	1	12540260/0	Bricka	Grower	
10	1	12154210/0	Mutter	Nut	
11	3	12154210/0	Mutter	Nut	
12	1	18738206/0	Avgasrör	Exhaust Connecting Tube	
13	2	12583500/0	Låsbricka	Grower	
14	2	12735530/0	Skruv	Screw	
15	1	12691115/0	Skruv	Screw	
31	1	82750004/0	Ljuddämpare	Muffler	
32	2	12793102/0	Skruv	Screw	
33	2	12540260/0	Bricka	Grower	
34	2	12360425/0	Mutter	Nut	
35	1	82598009/2	Skydd	Guard	
36	2	12792611/0	Skruv	Screw	
37	2	12583500/0	Låsbricka	Grower	

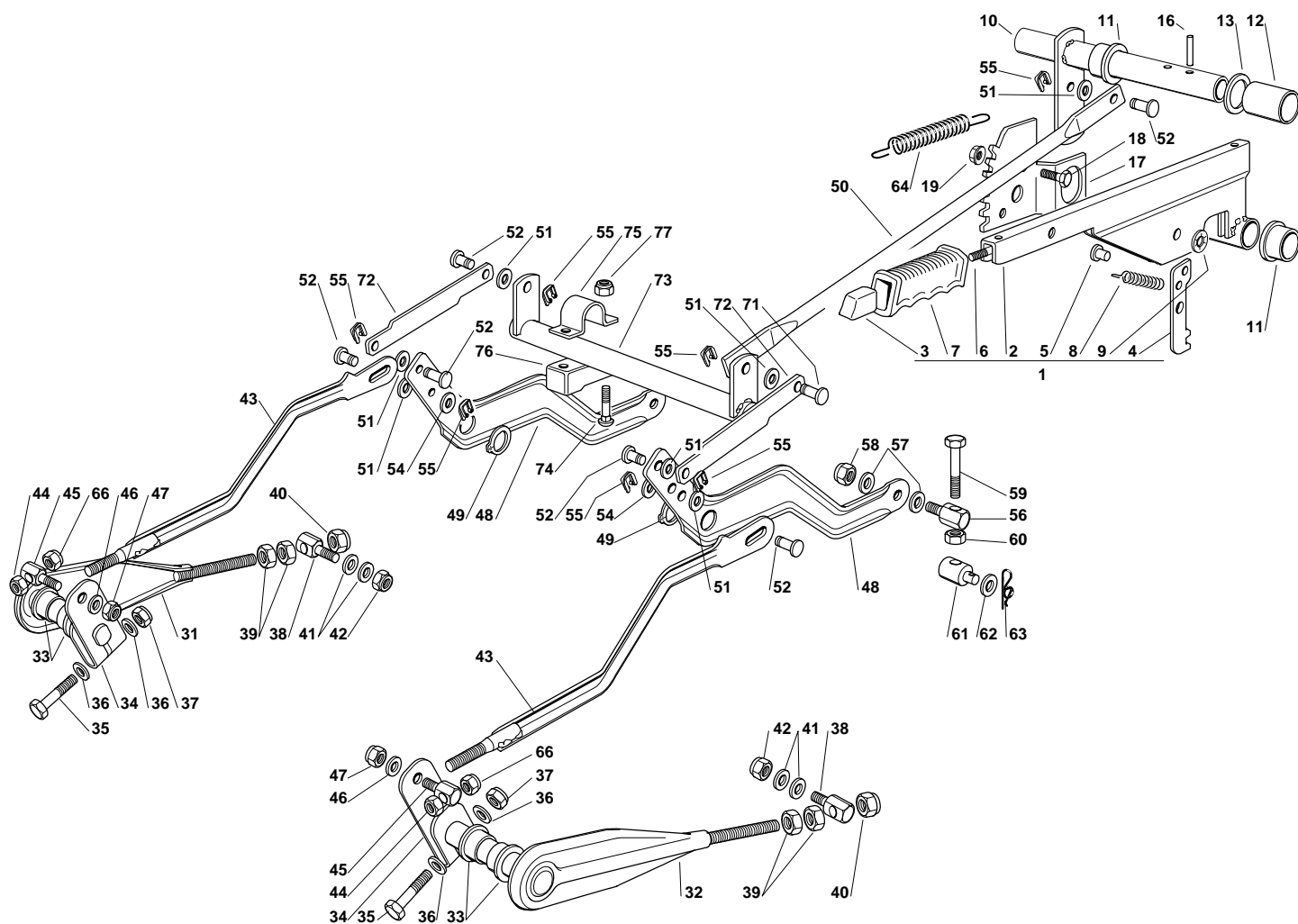


Pos. Fig.	Antal Quantity	Art No Part No	Benämning	Description	Anmärkning Notes
1	1	25601568/0	Remskiva	Pulley	
2	1	12737310/0	Skruv	Screw	
3	1	12543000/0	Bricka	Washer	
4	1	35062001/0	Drivrem	Belt	
5	1	82318165/1	Arm	Lever	
6	1	12692000/0	Skruv	Screw	
7	2	25038002/1	Bussning	Bush	
8	1	12155000/0	Mutter	Nut	
9	1	25160027/0	Distans	Spacer	
10	1	25601554/0	Remskiva	Pulley	
11	1	12523060/0	Bricka	Washer	
12	1	12155000/0	Mutter	Nut	
13	1	25840010/1	Stång	Tie Rod	
14	2	12293200/0	Mutter	Nut	
15	1	25430219/0	Fjäder	Spring	
17	1	25601555/0	Remskiva	Pulley	
18	1	25510036/1	Sprint	Pin	
19	1	12523060/0	Bricka	Washer	
20	2	12155000/0	Mutter	Nut	
21	2	25601570/0	Remskiva	Pulley	
22	1	125160030/1	Distans	Spacer	
23	1	125160024/2	Distans	Spacer	
24	1	12691115/0	Skruv	Screw	
25	1	12691400/0	Skruv	Right Screw	
26	2	12523060/0	Bricka	Washer	
27	2	12155000/0	Mutter	Nut	
28	2	25109521/1	Kåpa	Cover	
41	1	18400950/1	Rear Axle Tuff Torq K46F	Rear Axle Tuff Torq K46F	
42	4	12691800/0	Skruv	Screw	
44	4	12154210/0	Mutter	Nut	
45	1	82785109/0	Stöd	Support	



## ST 10214 - Model Year 2009

Pos. Fig.	Antal Quantity	Art No Part No	Benämning	Description	Anmärkning Notes
46	1	12691200/0	Skruv	Screw	
47	2	12521350/0	Bricka	Washer	
48	1	12155000/0	Mutter	Nut	
49	2	12735120/0	Skruv	Screw	
50	1	12792611/0	Skruv	Screw	
51	1	12293201/0	Mutter	Nut	
52	1	25318157/0	Arm	Lever	
53	1	12793102/0	Skruv	Screw	
54	1	12369500/0	Bricka	Washer	
55	1	25670011/0	Bricka	Washer	
56	1	12155000/0	Mutter	Nut	
57	1	25033033/0	Länk	Rod	
58	1	12604896/0	Låsbricka	Snap Ring	
71	2	82680003/0	Rear Wheel Turf Saver Carlisle	Rear Wheel Turf Saver Carlisle	
71	2	82680006/0	Stödhjul	Rear Wheel Deli Tire	
72	2	82000592/0	Rimm	Rimm	
73	2	25590001/0		Shoe Turf Saver Carlisle	
73	2	25590003/0		Tire Deli Tire	
74	2	25950000/0	Ventil	Valve	
75	4	25670005/1	Bricka	Washer	
76	2	25160023/0	Distans	Spacer	
77	2	325670025/0	Bricka	Washer	
78	2	12001010/0	Låsring	Snap Ring	
79	2	22110230/0	Lock	Cap	

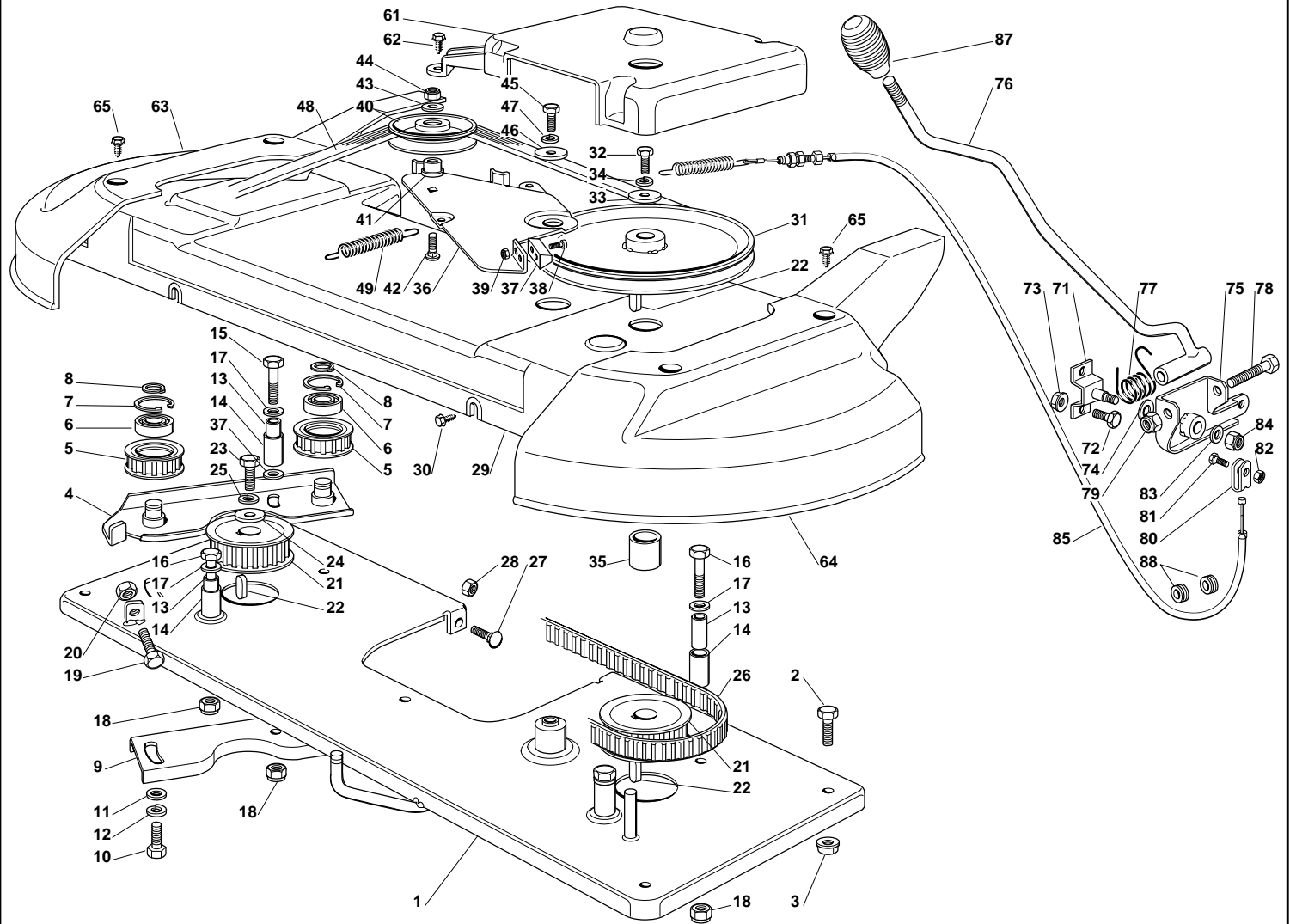
**ST 10214 - Model Year 2009**


Pos. Fig.	Antal Quantity	Art No Part No	Benämning	Description	Anmärkning Notes
1	1	82300002/1		Lever Ass.Y (2 ÷ 9)	
2	1	82318139/0	Arm	Lever	
3	1	25605000/1	Tryckring	Button	
4	1	25470901/0	Dog	Dog	
5	1	25510011/0	Sprint	Pin	
6	1	25033002/0	Länk	Rod	
7	1	25394504/1	Knopp	Knob	
8	1	25430208/0	Fjäder	Spring	
9	1	12604899/0	Lísbricka	Crown Fastener	
10	1	382000551/0	Axel	Axle	
11	2	22034523/0	Bussning	Bush	
12	1	25160025/0	Distans	Spacer	
13	1	22672153/0	Bricka	Washer	
16	2	12620206/0	Stift	Pin	
17	1	25735506/1	Sector	Sector	
18	2	12792611/0	Skruv	Screw	
19	2	12293201/0	Mutter	Nut	
31	1	82318155/0	Right Lever (Mod. 102)	Right Lever (Mod. 102)	
32	1	82318157/0	Left Lever (Mod. 102)	Left Lever (Mod. 102)	
33	4	25040605/0	Bussning	Bush	
34	2	25318161/0	Arm	Lever	
35	2	12691700/0	Skruv	Screw	
36	4	12521350/0	Bricka	Washer	
37	2	12155000/0	Mutter	Nut	
38	2	25510056/0	Sprint	Pin	
39	4	12295200/0	Mutter	Nut	
40	2	12156602/0	Mutter	Nut	
41	4	25670008/1	Bricka	Washer	
42	2	12156602/0	Mutter	Nut	
43	2	82000477/2	Vevstake	Connecting Rod	
44	2	12155000/0	Mutter	Nut	



## ST 10214 - Model Year 2009

Pos. Fig.	Antal Quantity	Art No Part No	Benämning	Description	Anmärkning Notes
45	2	25510055/0	Sprint	Pin	
46	2	12521350/0	Bricka	Washer	
47	2	12155000/0	Mutter	Nut	
48	2	25318153/1	Rear Lever	Rear Lever	
49	2	12609255/0	Seegerring	Seeger	
50	1	325033071/0	Vevstake	Connecting Rod	
51	7	25670011/0	Bricka	Washer	
52	7	25510053/1	Sprint	Pin (Mod. 122)	
54	2	12521350/0	Bricka	Washer	
55	7	12436050/0	Låsplatta	Plate	
56	2	25510056/0	Sprint	Pin	
57	4	25670008/1	Bricka	Washer	
58	2	12156602/0	Mutter	Nut	
59	2	12794980/0	Skruv	Screw (Mod. 102)	
60	2	12295200/0	Mutter	Nut	
61	2	25510070/0	Sprint	Pin	
62	2	12523090/0	Bricka	Washer	
63	2	24487998/0	Låsnål	Cotter Pin	
64	1	25430218/0	Fjäder	Spring	
66	2	12293200/0	Mutter	Nut	
71	1	25510048/0	Sprint	Pin (Mod. 122)	
72	2	325318223/0	Arm	Lever	
73	1	382000547/0	Axel	Axle	
74	4	12815240/0	Skruv	Screw	
75	2	325547203/0	Plåt	Plate	
76	2	325785292/0	Stöd	Bracket	
77	4	12154510/0	Mutter	Nut	

**ST 10214 - Model Year 2009**


Pos. Fig.	Antal Quantity	Art No Part No	Benämning	Description	Anmärkning Notes
1	1	82547003/2	Plåt	Plate (Mod. 102)	
2	4	12792611/0	Skruv	Screw	
3	4	12293201/0	Mutter	Nut	
4	1	82785084/1	Stöd	Support	
5	2	25601559/1	Remskiva	Pulley (Mod. 102)	
6	2	19216033/1	Kullager	Bearing	
7	2	12610800/0	Seegerring	Seeger	
8	2	12609200/0	Seegerring	Seeger	
9	1	25650037/0	Reduktion	Stiffening	
10	2	12793102/0	Skruv	Screw	
11	2	12521350/0	Bricka	Washer	
12	2	12583500/0	Låsbricka	Grower	
13	4	25160003/0	Distans	Spacer	
14	4	25038000/0	Bussning	Bushing	
15	1	12691700/0	Skruv	Screw	
16	3	12691200/0	Skruv	Screw	
17	4	12521350/0	Bricka	Washer	
18	4	12155000/0	Mutter	Nut	
19	1	12793900/0	Skruv	Screw	
20	1	12293200/0	Mutter	Nut	
21	2	25601560/0	Remskiva	Pulley (Mod. 102)	
22	3	12139480/0	Kil	Key	
23	1	12793102/0	Skruv	Screw	
24	1	25670007/0	Bricka	Washer	
25	1	12583500/0	Låsbricka	Grower	
26	1	35065600/0	Drive belt	Belt (Mod. 102)	
27	3	12815200/0	Skruv	Screw	
28	3	12292102/0	Mutter	Nut	
29	1	325060128/0	Hus	Case (Mod. 102)	
30	6	12735110/0	Skruv	Screw	
31	1	25601550/0	Remskiva	Pulley (Mod. 102)	

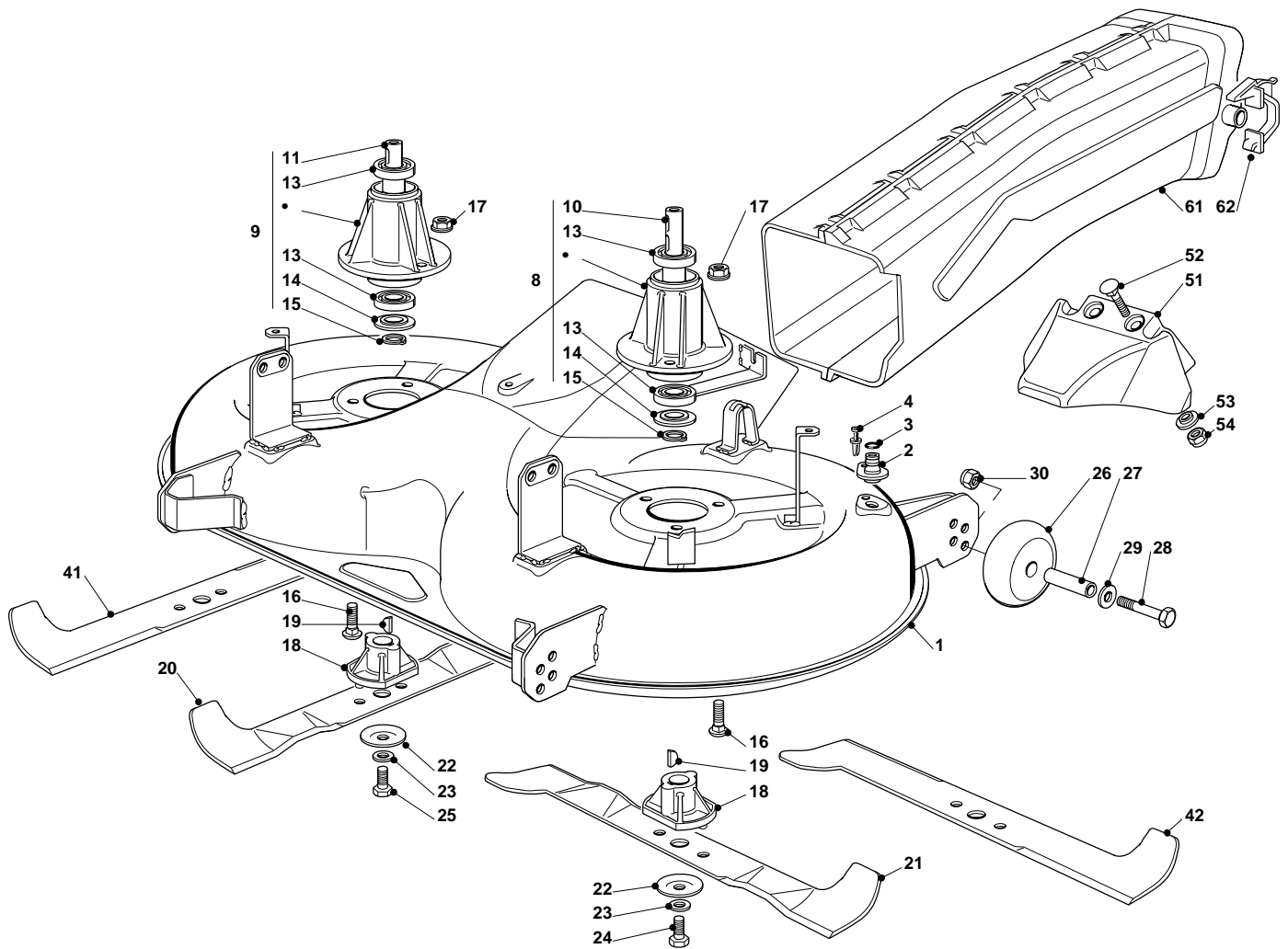


## ST 10214 - Model Year 2009

Pos. Fig.	Antal Quantity	Art No Part No	Benämning	Description	Anmärkning Notes
32	1	12793102/0	Skruv	Screw	
33	1	25670007/0	Bricka	Washer	
34	1	12583500/0	Låsbricka	Grower	
35	1	25160002/0	Distans	Spacer	
36	1	25318115/1	Bromsarm	Brake Lever (Mod. 102)	
37	1	25207000/1	Lining	Lining	
38	1	25270317/0	U-Bolt	U-Bolt	
39	2	12154330/0	Mutter	Nut	
40	1	25601555/0	Remskiva	Pulley	
41	1	25160007/0	Distans	Spacer	
42	1	12818900/0	Skruv	Screw	
43	1	12523060/0	Bricka	Washer	
44	1	12155000/0	Mutter	Nut	
45	1	12793102/0	Skruv	Screw	
46	1	12523070/0	Bricka	Washer	
47	1	12583500/0	Låsbricka	Grower	
48	1	35062813/0	Drive belt	Belt (Mod. 102)	
49	1	25430210/0	Fjäder	Spring	
50	1	12523060/0	Bricka	Washer	
61	1	25600049/0	Skydd	Guard (Mod. 102)	
62	3	12735403/0	Skruv	Screw	
63	1	25060113/0	Skydd	Guard Grey	
64	1	25060114/0	Skydd	Guard Grey	
65	4	12735403/0	Skruv	Screw	
71	1	82774227/0	Stöd	Support	
72	2	12792611/0	Skruv	Screw	
73	2	12293201/0	Mutter	Nut	
74	1	22672151/0	Bricka	Washer	
75	1	82774229/0	Klämma	Clamp	
76	1	82318177/1	Arm	Lever	
77	1	25430227/0	Fjäder	Spring	
78	1	12692050/0	Skruv	Screw	
79	1	12155000/0	Mutter	Nut	
80	1	22061337/0	Vevstake	Connecting Plate	
81	1	12791213/1	Skruv	Screw	
82	1	12154510/0	Mutter	Nut	
83	1	12523060/0	Bricka	Washer	
84	1	12155010/0	Mutter	Nut	
85	1	82004616/0	Kabel	Wire (Mod. 102)	
87	1	25394510/0	Knopp	Knob	



## ST 10214 - Model Year 2009

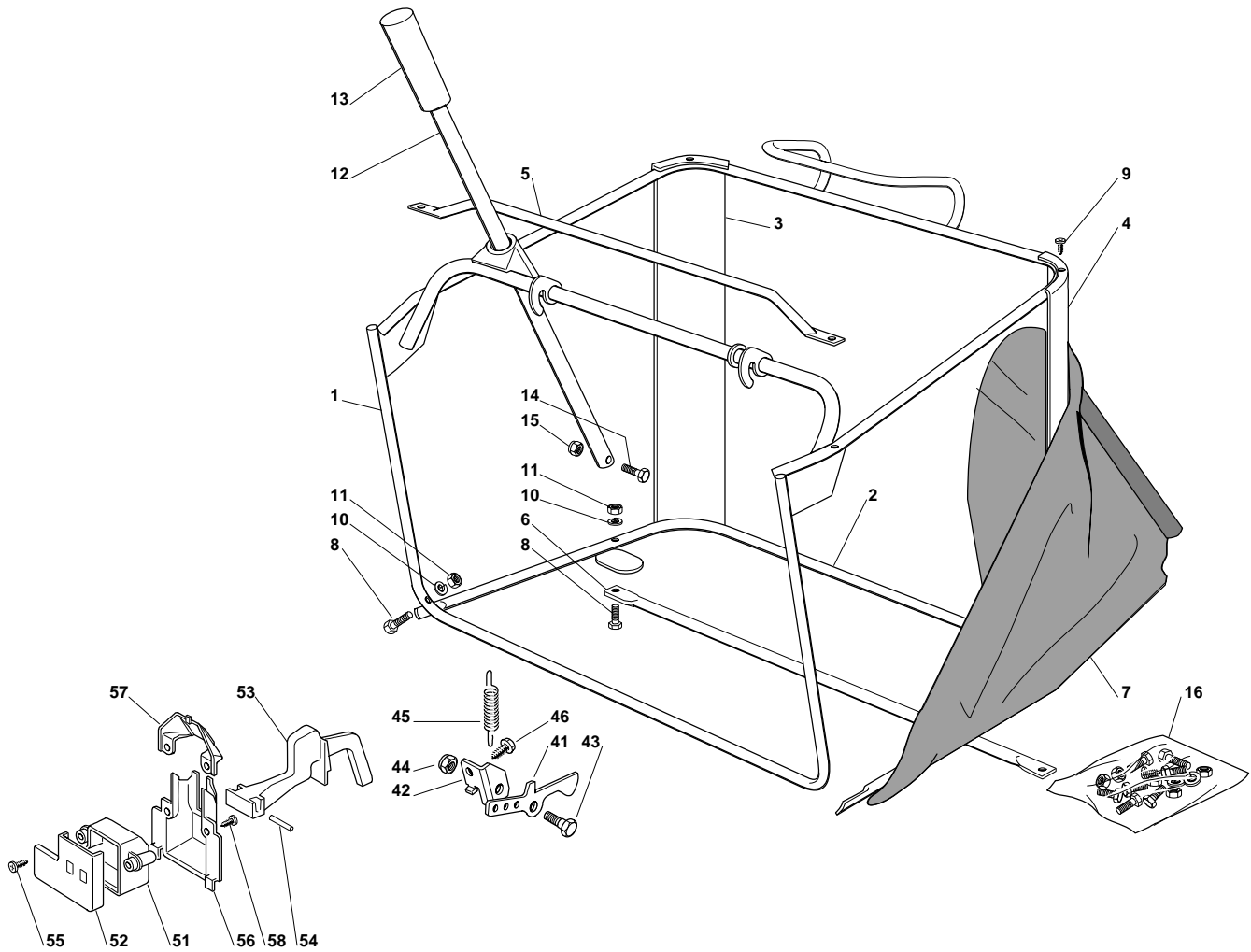


Pos. Fig.	Antal Quantity	Art No Part No	Benämning	Description	Anmärkning Notes
1	1	382564087/1	Cutting Plate Black	Cutting Plate Black	
1	1	382564096/1	Cutting Plate Red	Cutting Plate Red	
2	2	25033060/0	Water Hose Connection	Water Hose Connection	
3	2	19035000/0	O-ring	Or Ring	
4	2	12500030/0	Rivet	Rivet	
8	1	82207200/1	Main Shaft Support	Main Shaft Support	
9	1	82207201/2	Secondary Shaft Support	Secondary Shaft Support	
10	1	25020800/1	Knivaxel	Main Blade Shaft	
11	1	25020801/2	Knivaxel	Secondary Blade Shaft	
13	4	19216032/0	Kullager	Bearing	
14	2	25160501/0	Dammskydd	Dust Cover	
15	2	12609260/0	Seegerring	Seeger	
16	6	12818700/0	Skruv	Screw	
17	6	12154210/0	Mutter	Nut	
18	2	25463200/0	Knivfäste	Blade Hub	
19	2	12139100/0	Kil	Key	
20	1	82004348/0	Kniv	Right Blade Mulching, Winged (Mod. 102)	
21	1	82004347/0	Kniv	Left Blade Mulching, Winged (Mod. 102)	
22	2	22160400/0	Bricka	Elastic Washer	
23	2	12523080/0	Bricka	Washer	
24	1	12735694/0	Skruv	Screw	
25	1	12735695/1	Skruv	Screw	
26	4	82700001/0	Stödhjul	Anti Scalp Wheel D.100	
26	4	82700002/0	Stödhjul	Anti Scalp Wheel D.80	
27	4	25510072/0	Distans	Spacer	
28	4	12692050/0	Skruv	Screw	
29	4	12523060/0	Bricka	Washer	
30	4	12293201/0	Mutter	Nut	
41	1	82004341/1	Kniv	Right Blade, Winged	
42	1	82004340/1	Kniv	Left Blade, Winged	
51	1	325140100/0	Deflektor	Deflector	



## ST 10214 - Model Year 2009

Pos. Fig.	Antal Quantity	Art No Part No	Benämning	Description	Anmärkning Notes
52	2	12815210/0	Skruv	Screw	
53	2	25038002/1	Bussning	Bush	
54	2	12154510/0	Mutter	Nut	
61	1	382108016/0	Inmatningstratt	Conveyor	
62	2	25774373/0	Klämman	Clamp	

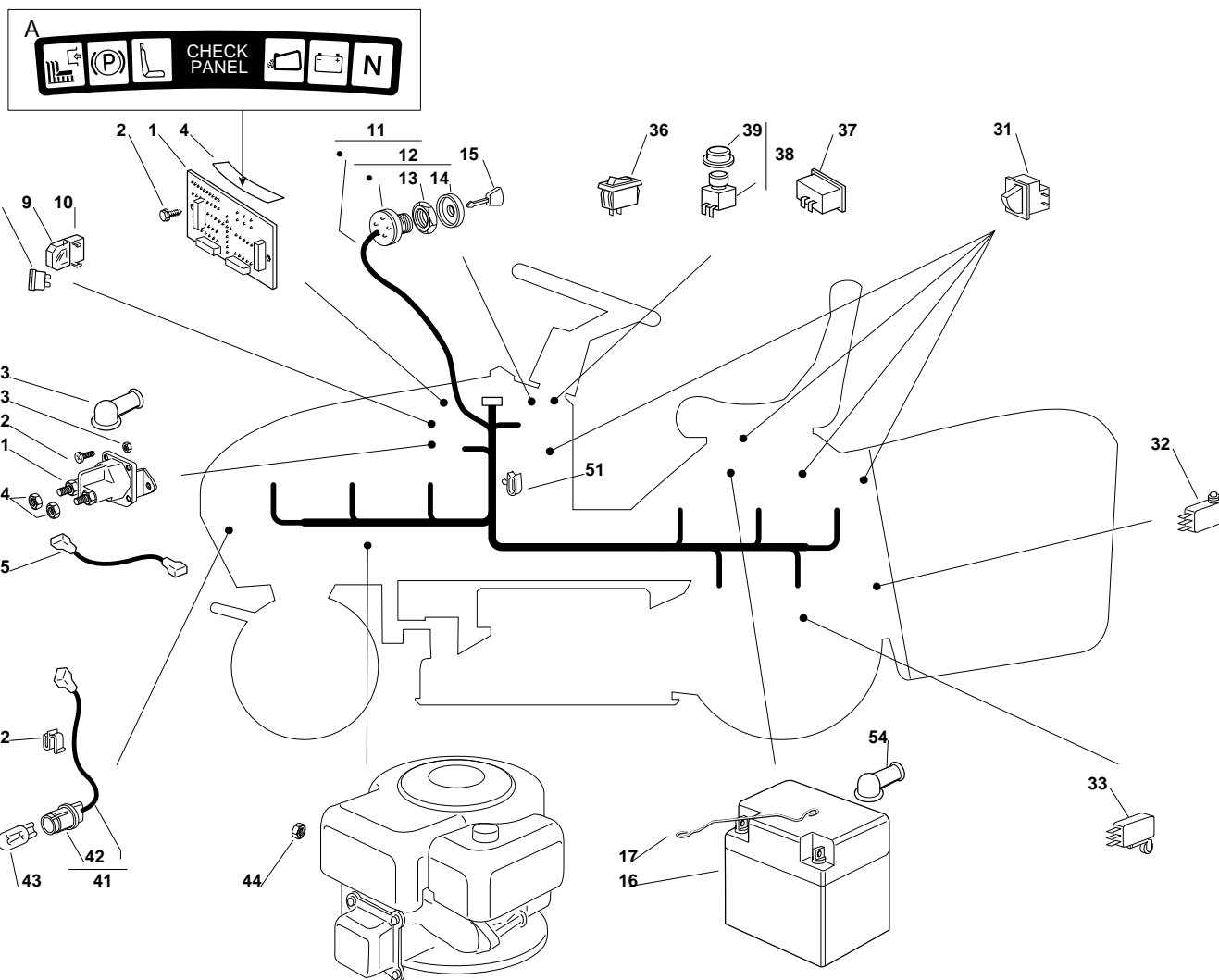


Pos. Fig.	Antal Quantity	Art No Part No	Benämning	Description	Anmärkning Notes
1	1	82800051/0	Chassi	Upper Frame	
2	1	82800002/2	Chassi	Lower Frame	
3	1	25032001/1	Right Angular Support	Right Angular Support	
4	1	25032002/1	Left Angular Support	Left Angular Support	
5	1	82394001/2	Handtag	Front Handle	
6	1	82650038/0	Trådbygel	Lower Stiffening	
7	1	82106000/2	Uppsamlare	Grasscatcher	
8	4	12792099/0	Skruv	Screw	
9	4	12729601/1	Skruv	Screw	
10	4	12582101/0	Grower	Grower	
11	4	12292100/0	Mutter	Nut	
12	1	25869029/1	Rör	Rod	
13	1	25394508/0	Handtag	Handle	
14	1	12792099/0	Skruv	Screw	
15	1	12154510/0	Mutter	Nut	
16	1	82180027/1	Skrusats	Screws Outfit (8÷15)	
41	1	25774315/0	Klämma	Bracket	
42	1	25755031/0	Fästvinkel	Bracket	
43	1	25510080/0	Sprint	Pin	
44	1	12292102/0	Mutter	Nut	
45	1	25430210/0	Fjäder	Spring	
46	1	12735122/0	Skruv	Screw	
51	1	25600041/0	Skydd	Micro Protection	
52	1	25600042/0	Överbelastningsskydd	Protection Cover	
53	1	25318124/0	Arm	Lever	
54	1	12400030/0	Stift	Pin	
55	1	12728510/0	Skruv	Screw	
56	1	25600047/0	Skydd	Micro Protection	
57	1	25600048/0	Överbelastningsskydd	Protection Cover	
58	2	12728450/0	Skruv	Screw	
61	2	82774225/1	Stöd	Support	



## ST 10214 - Model Year 2009

Pos. Fig.	Antal Quantity	Art No Part No	Benämning	Description	Anmärkning Notes
62	6	12793102/0	Skruv	Screw	
63	6	12523060/0	Bricka	Washer	
64	6	12293201/0	Mutter	Nut	

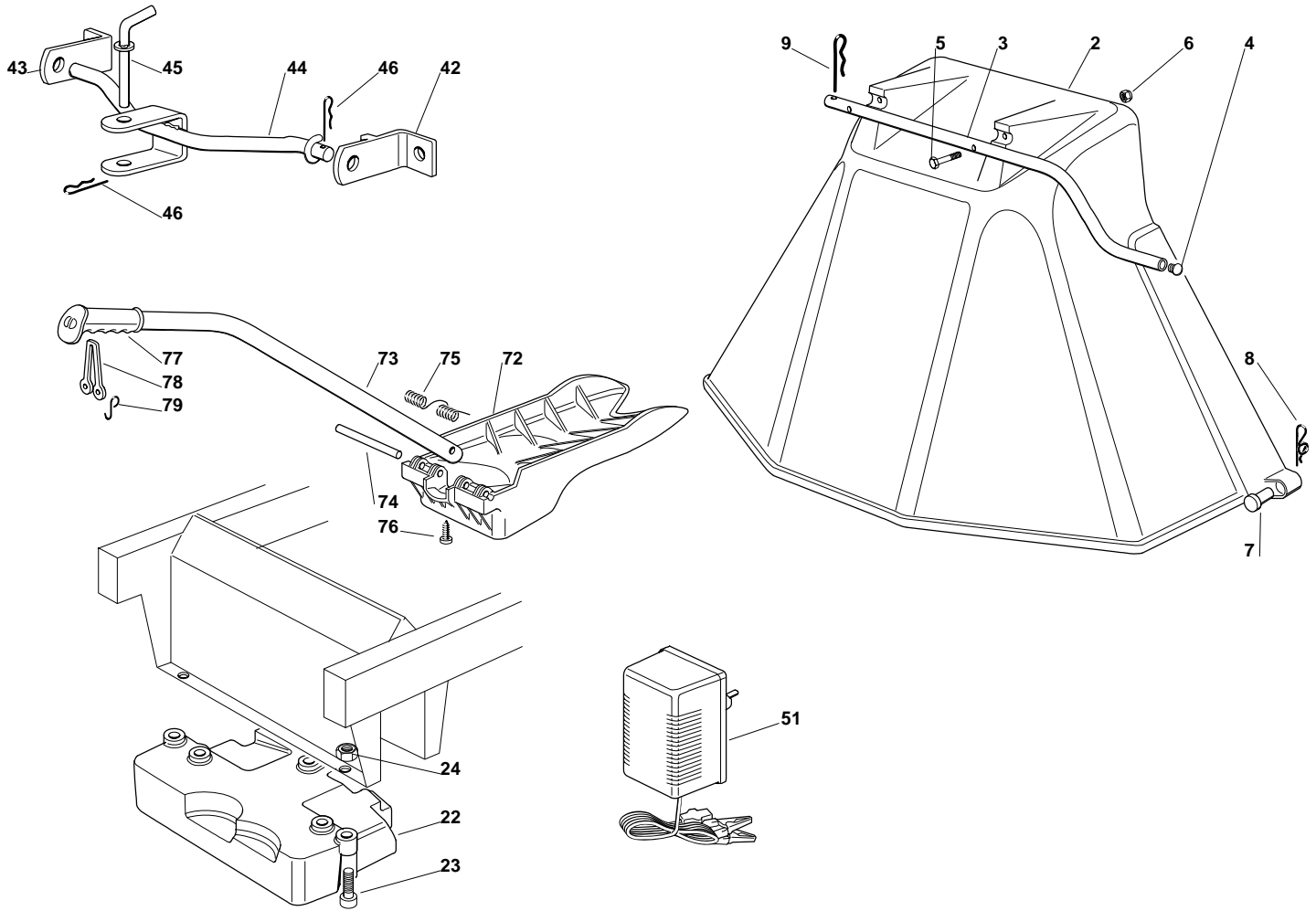


Pos. Fig.	Antal Quantity	Art No Part No	Benämning	Description	Anmärkning Notes
1	1	25722413/1	Electronic Card	Electronic Card	
2	3	12735105/0	Skruv	Screw	
4	1	25420004/0	Check Control	Check Control	
8	1	33340036/0	Säkring	Fuse 25 A	
8	1	33340040/0	Säkring	Fuse 10 A	
9	2	33215000/0	Kípa	Cover	
10	2	33500007/0	Säkring	Fuse Carrier	
11	1	82040137/0	Kabel	Cables Ass.Y	
12	1	18450065/1	Brytare	Starting Switch	
13	1	18400861/0	Ringmutter	Ringnut	
14	1	18565351/0	Hus	Ringnut Protection	
15	1	18210016/1	Starting Key	Starting Key	
16	1	18120002/1	Batteri	Battery	
17	1	25430230/0	Fjäder	Spring	
21	1	18736110/0	Starter Relay	Starter Relay	
22	2	12791011/0	Skruv	Screw	
23	2	12292102/0	Mutter	Nut	
24	2	12360352/0	Mutter	Nut	
25	1	25065017/0	Kabel	Cable	
31	3	19410606/0	Micro	Micro	
32	1	19410605/1	Brytare	Full Grasscat. Microsw.	
33	1	19410609/0	Neutral Switch (Hydro)	Neutral Switch (Hydro)	
34*	1	-	Neutral Switch (Mech.)	Neutral Switch (Mech.)	
35	1	25065026/0	Kabel	Cable (Mech.)	
36	1	18450060/1	Farilamp Switch	Farilamp Switch	
37	1	18230000/0	Hour Counter	Hour Counter	
38	1	18450067/0	Kopplingshus	Clutch Switch	
39	1	18203852/0	Tätningshylsa	Protection	
41	1	82040070/0	Kabel	Cable	
41	1	82040073/0	Kabel	Cable	
42	2	33500030/0	Lamp Holder	Lamp Holder	

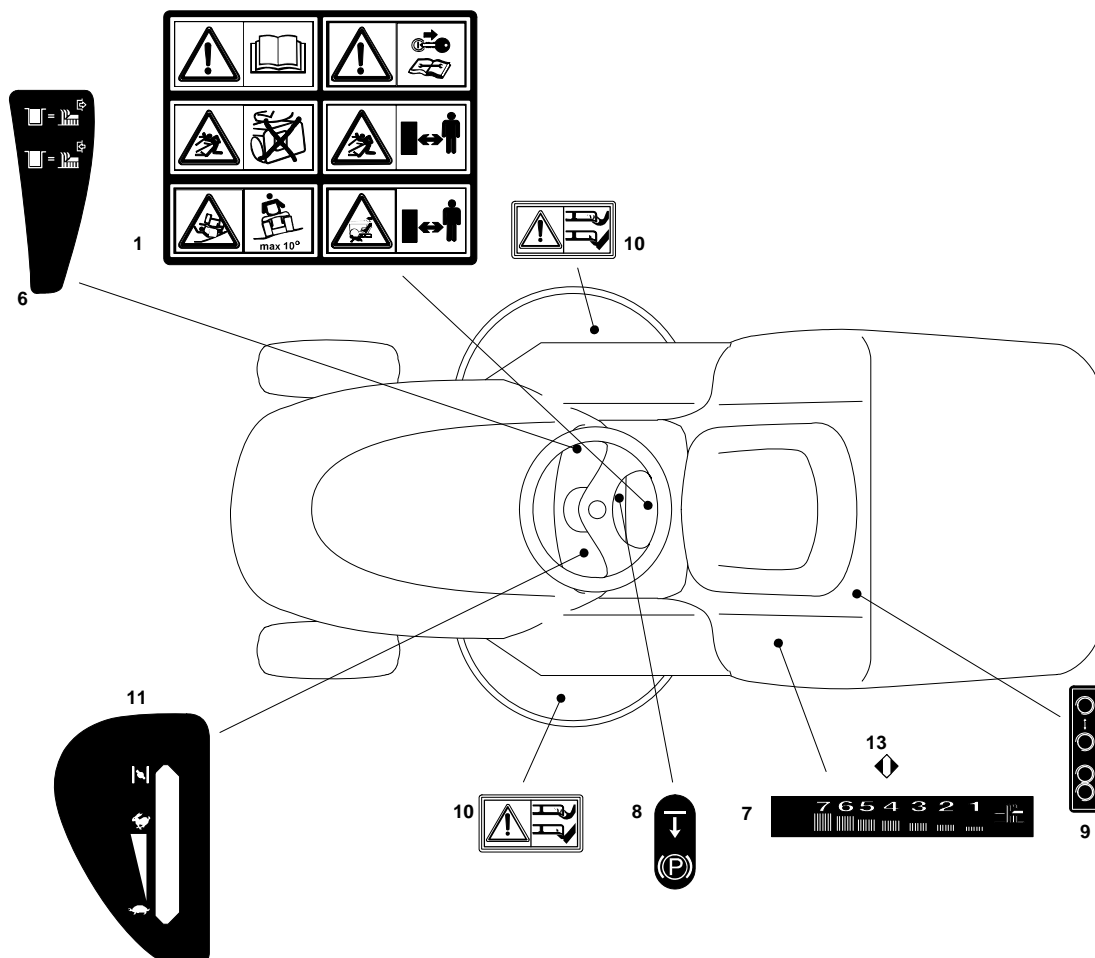


## ST 10214 - Model Year 2009

Pos. Fig.	Antal Quantity	Art No Part No	Benämning	Description	Anmärkning Notes
43	2	18459100/0	Färlamp For Lights	Färlamp For Lights	
44	1	12361005/0	Mutter	Nut	
51	5	33320506/0	Kabelhållare	Fairled	
52	1	33320504/0	Kabelhållare	Fairled	
53	1	18564861/1	Tätningshylsa	Protection	
54	1	18564864/1	Tätningshylsa	Protection	

**ST 10214 - Model Year 2009**


Pos. Fig.	Antal Quantity	Art No Part No	Benämning	Description	Anmärkning Notes
2	1	82400003/1	Exit Protection	Ejection Guard	
3	1	25869043/0	Support	Support	
4	2	18566110/0	Plugg	Cap	
5	2	12689515/0	Skruv	Screw	
6	2	12154510/0	Mutter	Nut	
7	2	25510022/0	Sprint	Pin	
8	2	24487998/0	Låsnål	Cotter Pin	
9	1	24487999/0	Låsnål	Cotter Pin	
22	1	25519997/1	Weight	Weight	
23	3	12760520/0	Skruv	Screw	
24	3	12155000/0	Mutter	Nut	
42	1	82735502/0	Fäste	Bracket Right Hitch Support	
43	1	25774213/0	Fäste	Bracket Left Hitch Support	
44	1	382033105/1	Stång	Rod	
45	1	25510021/1	Sprint	Pin	
46	2	24487999/0	Låsnål	Cotter Pin	
51	1	82180050/0	Batteriladdare	Battery Charger	
51	1	82180052/0	Batteriladdare	Battery Charger (U.K.)	
72	1	325140097/0	Deflektor	Deflector (Mod. 102)	
73	1	25394005/0	Styre	Handle	
74	1	25510074/0	Sprint	Pin	
75	1	25430240/0	Fjäder	Spring	
76	1	12728680/0	Skruv	Screw	
77	1	25280000/1	Handtag	Handgrip	
78	1	25840011/1	Hake	Elastic Tie-Rod	
79	2	25253004/0	Hake	Hook	



Pos. Fig.	Antal Quantity	Art No Part No	Benämning	Description	Anmärkning Notes
1	1	14357190/0	Dekal	Label	
2	1	14356756/2	Dekal	Label	
6	1	14357967/0	Dekal	Label	
7	1	14357905/0	Dekal	Label	
8	1	114357526/1	Dekal	Label	
9	1	114357423/2	Dekal	Label	
10	2	114356699/1	Dekal	Label	
13	1	14357913/0	Dekal	Label	