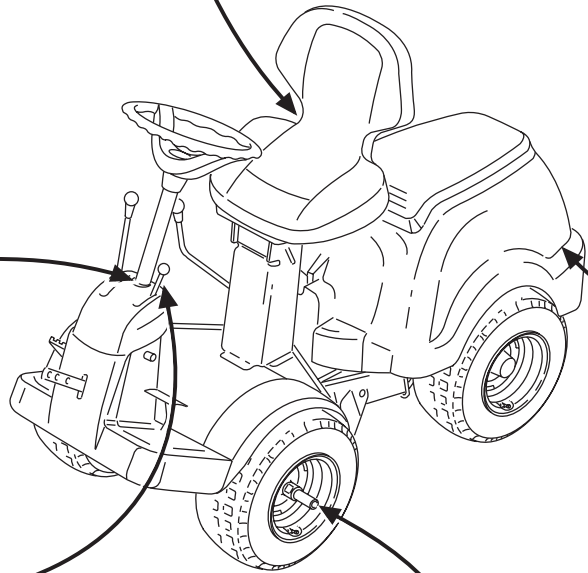
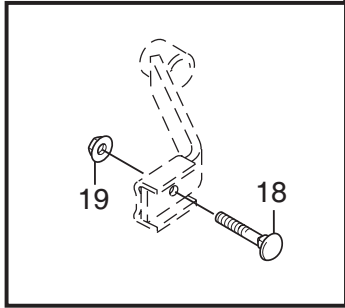
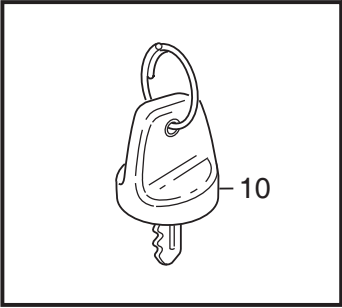
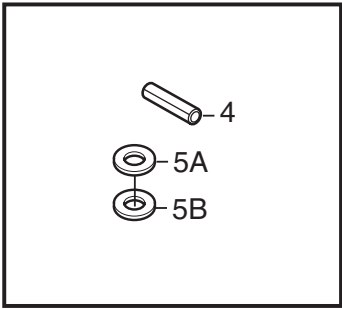
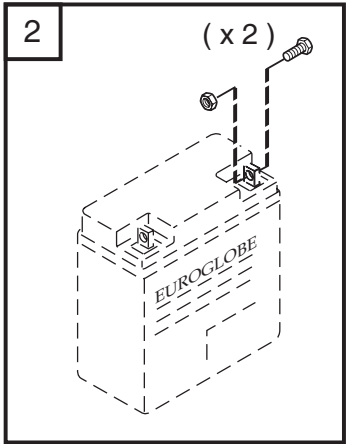
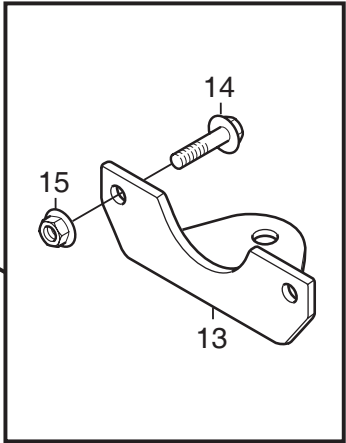
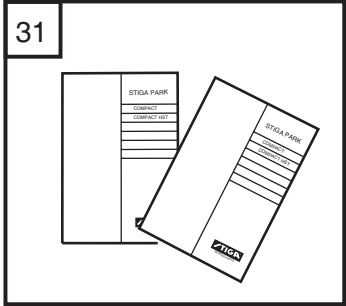
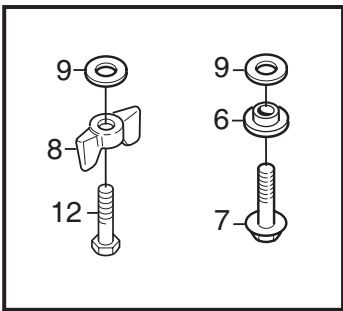
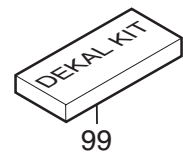
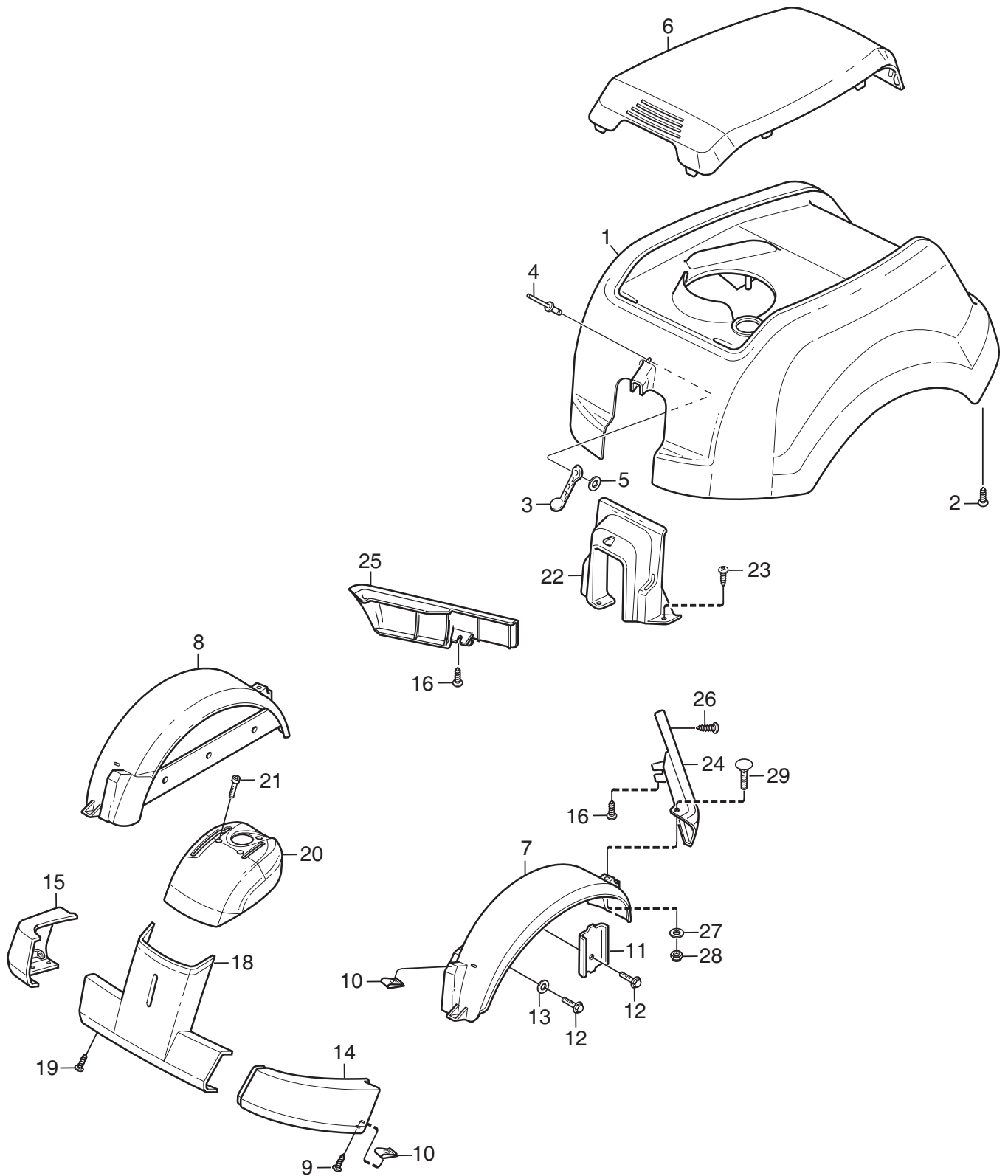


Genuine Spare Parts

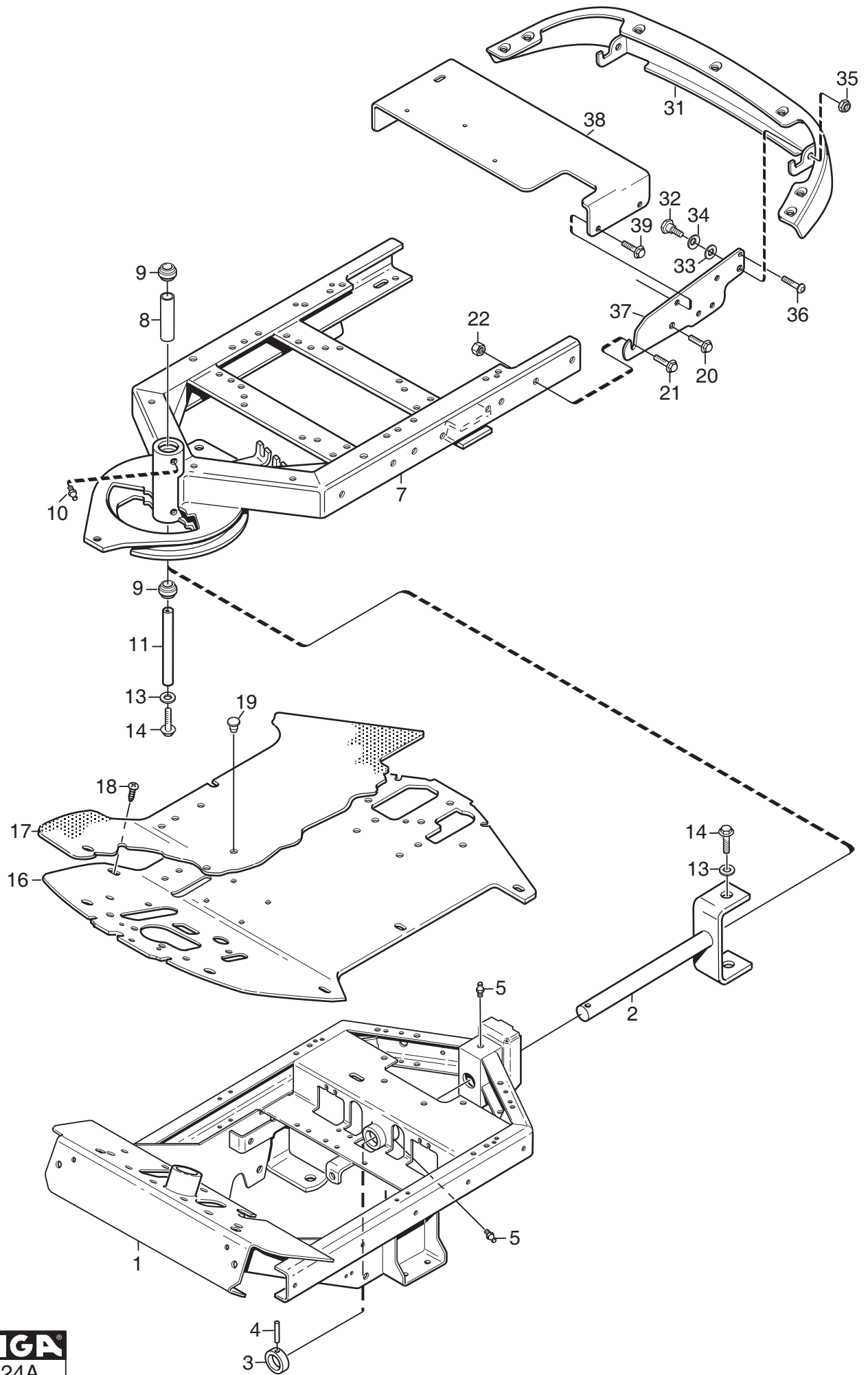




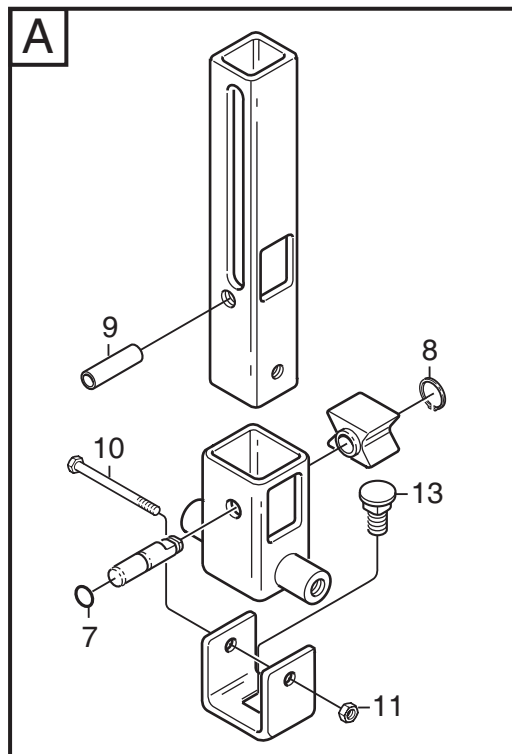
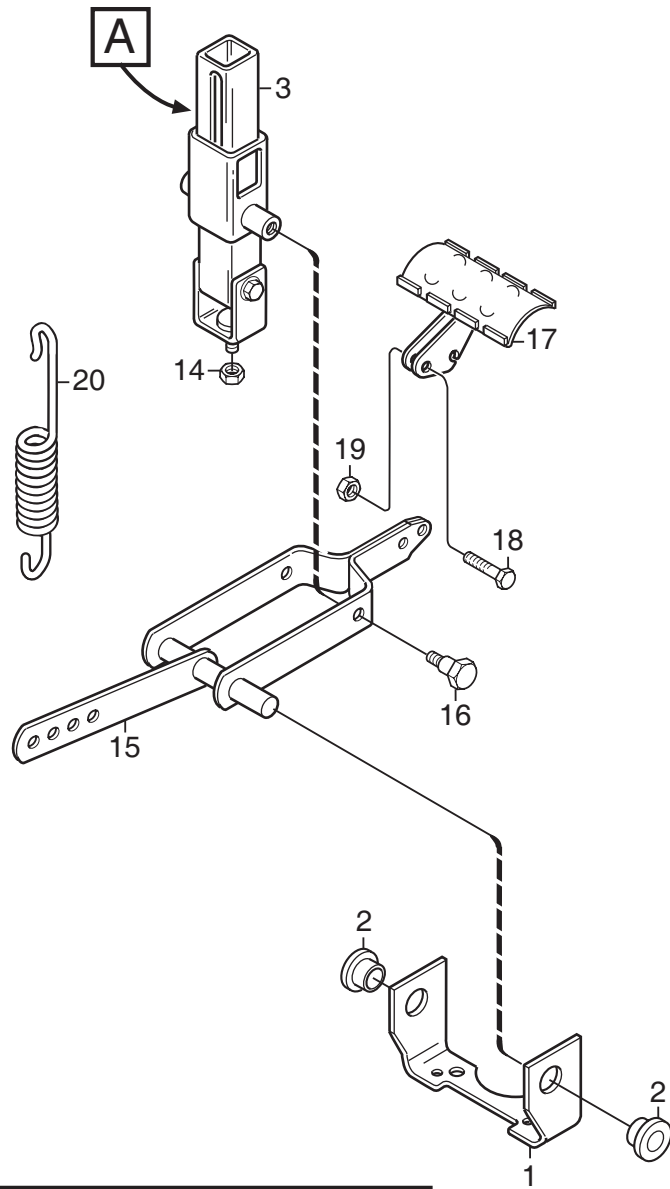
Utgåva Issue		Bildnr Picture No		PARK COMPACT 4WD MONTERINGSDETALJER		PARK COMPACT 4WD ASSEMBLY PARTS		Sida Page	
2009- 11		1638C						30	
Pos. Fig.	Antal/Quantity				Art nr Part No	Benämning	Description	Sats Kit	Anmärkning Notes
	6104 -20								
2	1				1134-6113-01 Batteriskruvar	Battery screws			
4	1				9595-0262-00 Spännstift	Locating pin			
5A	1				9699-0103-02 Shims	Flat washer			0.5 mm
5B	1				9699-0114-02 Shims	Flat washer			1.0 mm
6	2				1134-4185-01 Ansatsbricka	Flange washer			
7	2				9959-0820-16 Skruv	Screw			
8	2				1134-4481-01 Vingmutter	Wing nut			
9	4				9699-0056-02 Planbricka	Flat washer			
10	2				1134-4734-01 Tändningsnyckel	Ignition key			
12	2				9997-0820-16 Skruv	Screw			
13	1				1134-5512-01 Dragplåt	Towing plate			
14	2				9959-0820-16 Skruv	Screw			
15	2				9739-0831-22 Mutter	Nut			
18	2				9898-1035-16 Skruv	Screw			
19	2				9739-1031-22 Mutter	Nut			
31	1				8211-0001-91 Bruksanvisning	Owner's manual			
31	1				8211-0601-90 Monteringsanvisning	Assy instructions			
31	1				8211-0701-91 Säkerhetsföreskrifter	Safety regulations			
31	1				8211-0901-90 Servicebok	Service book			
31	1				8211-0960-90 Garantikort	Warranty card			



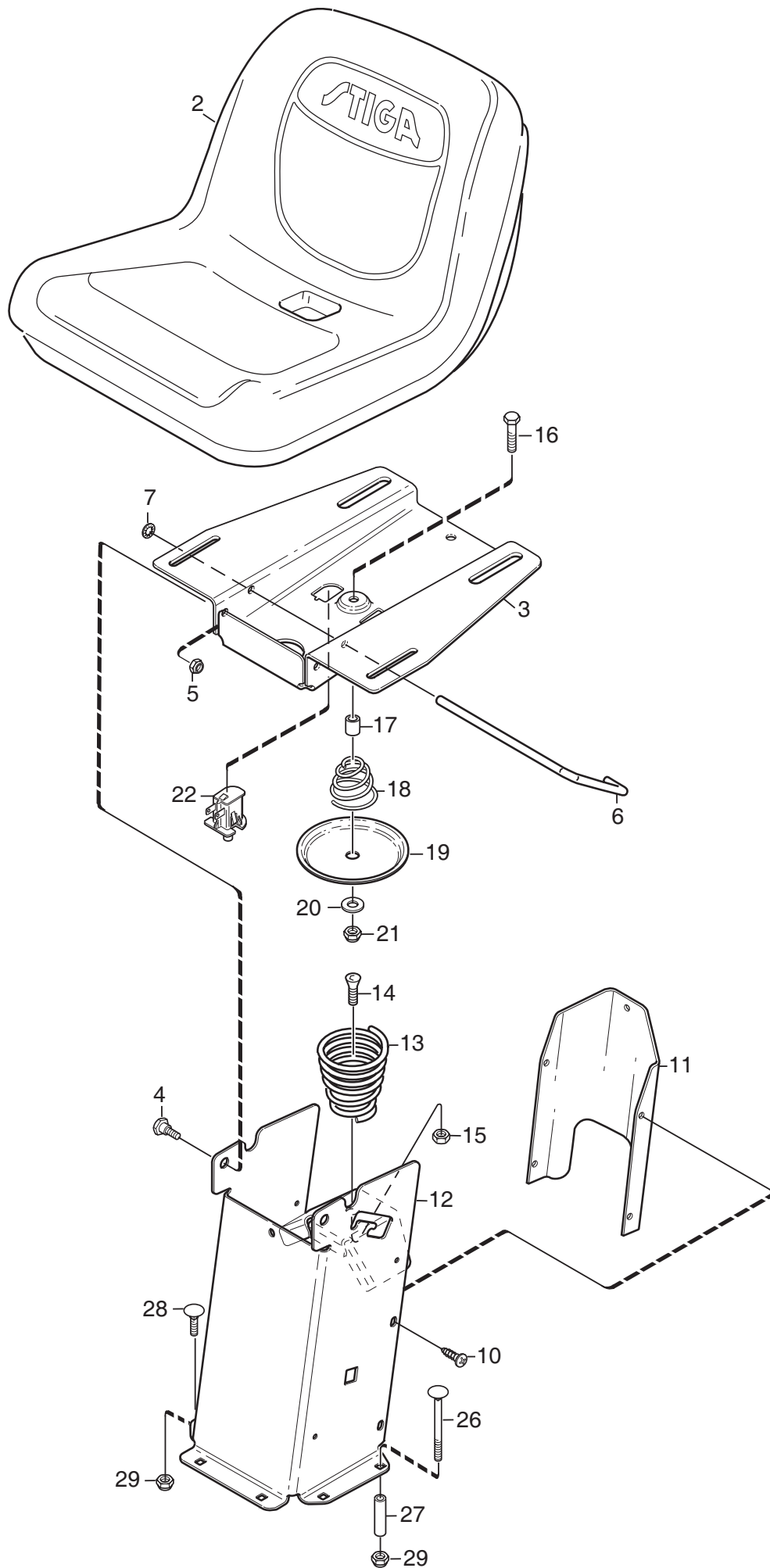
Utgåva Issue		Bildnr Picture No		PARK COMPACT 4WD KAROSS		PARK COMPACT 4WD BODY WORK		Sida Page	
2009- 11		1658B						32	
Pos. Fig.	Antal/Quantity				Art nr Part No	Benämning	Description	Sats Kit	Anmärkning Notes
	6104 -20								
1	1				1134-5263-02	Motorhuv- gul	Engine hood- yellow		Sats 3 st/kit of 3
2	7				9838-9530-12	Skruv	Screw		
3	1				1134-9028-01	Gummistropp- sats	Rubber strap kit		
4	1				9632-0516-00	Popnit	Pop rivet		
5	1				9699-0120-02	Bricka	Washer		
6	1				1134-5264-01	Motorlucka- grå	Engine cover- grey		
7	1				1134-5308-01	Stänkskärm vä- grå	Mud guard LH- grey		
8	1				1134-5308-02	Stänkskärm hö- grå	Mud guard RH- grey		
9	4				9893-0616-16	Skruv	Screw		
10	4				1134-4176-01	Clips	Clips		
11	2				1134-0225-00	Stödplåt	Support plate		
12	6				9945-0816-16	Skruv	Screw		
13	4				9699-0056-02	Planbricka	Flat washer		
14	1				1134-5306-01	Stötfångare, front- vä	Bumper, front- LH		
15	1				1134-5306-02	Stötfångare, front- hö	Bumper, front- RH		
16	2				9893-0616-16	Skruv	Screw		
18	1				1134-5305-01	Front- nedre	Front plate- lower		
19	2				9893-0616-16	Skruv	Screw		
20	1				1134-5320-02	Front- övre	Front- upper		
21	2				9946-0525-16	Skruv	Screw		
22	1				1134-6241-01	Huvstöd	Hood support		
23	3				9893-0616-16	Skruv	Screw		
24	1				1134-3970-05	Kantlist- vä, grå	Moulding- LH, grey		
25	1				1134-3970-02	Kantlist- hö, grå	Moulding- RH, grey		
26	2				9893-0616-16	Skruv	Screw		
27	2				9699-0060-02	Planbricka	Flat washer		
28	2				9747-0631-02	Låsmutter	Lock nut		
29	2				9897-0616-16	Vagnsbult	Carriage bolt		
99	1				1134-6440-03	Dekalsats	Label kit		



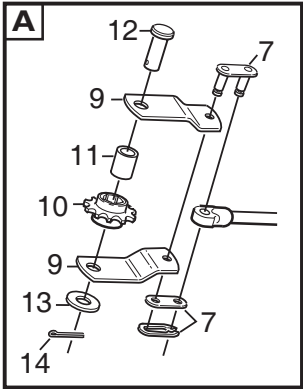
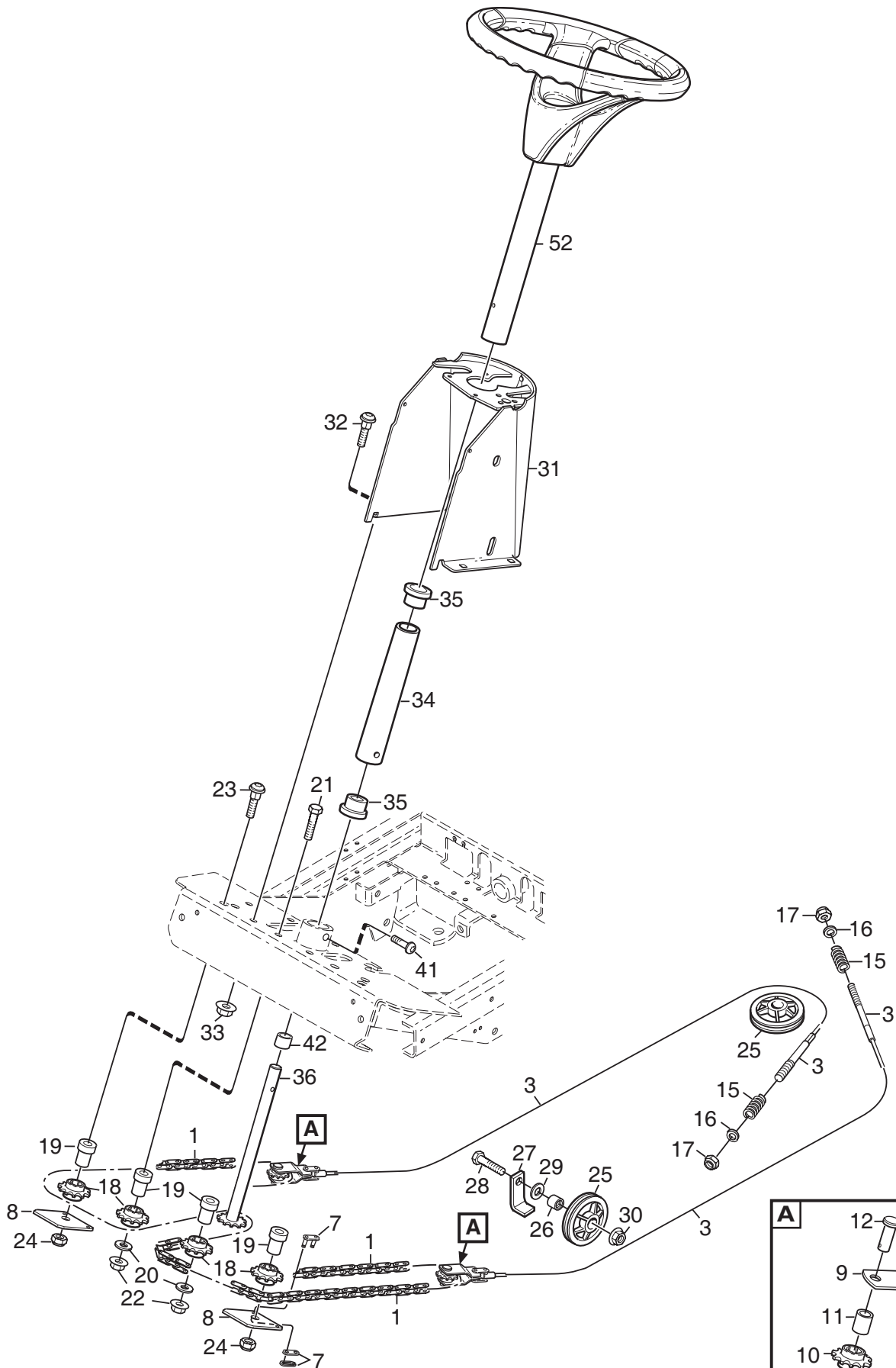
Utgåva Issue		Bildnr Picture No		PARK COMPACT 4WD RAM		PARK COMPACT 4WD FRAME		Sida Page	
2009- 11		2024A						34	
Pos. Fig.	Antal/Quantity				Art nr Part No	Benämning	Description	Sats Kit	Anmärkning Notes
	6104 -20								
1	1				1134-5656-02 Ram- främre	Frame- front			
2	1				1134-3963-02 • Midjegaffel	• Clevis			
3	1				1134-0031-00 • Ledaxelstopp	• Pivot shaft stop			
4	1				9595-0262-00 • Spännstift	• Locating pin			
5	2				9501-0500-00 • Smörjnippel	• Grease joint			
7	1				1134-6466-01 Ram- bakre	Frame- rear.....			
8	1				1134-5705-01 • Distans	• Spacer			
9	2				9547-0001-00 • Ledlager	• Bearing			
10	2				9501-0500-00 • Smörjnippel	• Grease joint			
11	1				1134-5988-01 Centrumaxel	Centre shaft			
13	2				9699-0035-02 Planbricka.....	Flat washer.....			
14	2				9959-1025-16 Skruv	Screw			
16	1				1134-6586-01 Durk.....	Floor plate			
17	1				1134-6372-04 Durkmatta.....	Floor mat.....			
18	2				9893-0616-16 Skruv	Screw			
19	2				9403-0048-70 Täckpropp	Plug			
20	2				9945-0816-16 Skruv	Screw			
21	2				9959-0820-16 Skruv	Screw			
22	2				9739-0831-22 Mutter.....	Nut			
31	1				1134-5337-02 Stötfångare- bak, grå	Bumper- rear, grey			
32	2				1134-0240-00 Ansatsskruv	Shoulder screw			
33	2				1134-4242-01 Distansbricka.....	Spacer washer			
34	2				9665-0002-00 Brickfjäder	Bowed washer.....			
35	2				9747-0831-02 Mutter.....	Lock nut			
36	2				9943-0516-16 Skruv	Screw			
37	2				1134-5345-01 Stag	Attachment.....			
38	1				1134-5344-01 Batterihylla.....	Battery shelf			
39	4				9945-0816-16 Skruv	Screw			



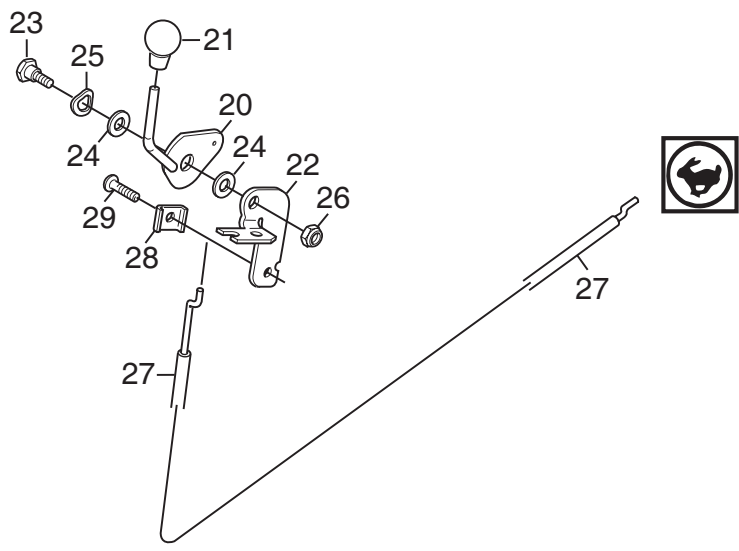
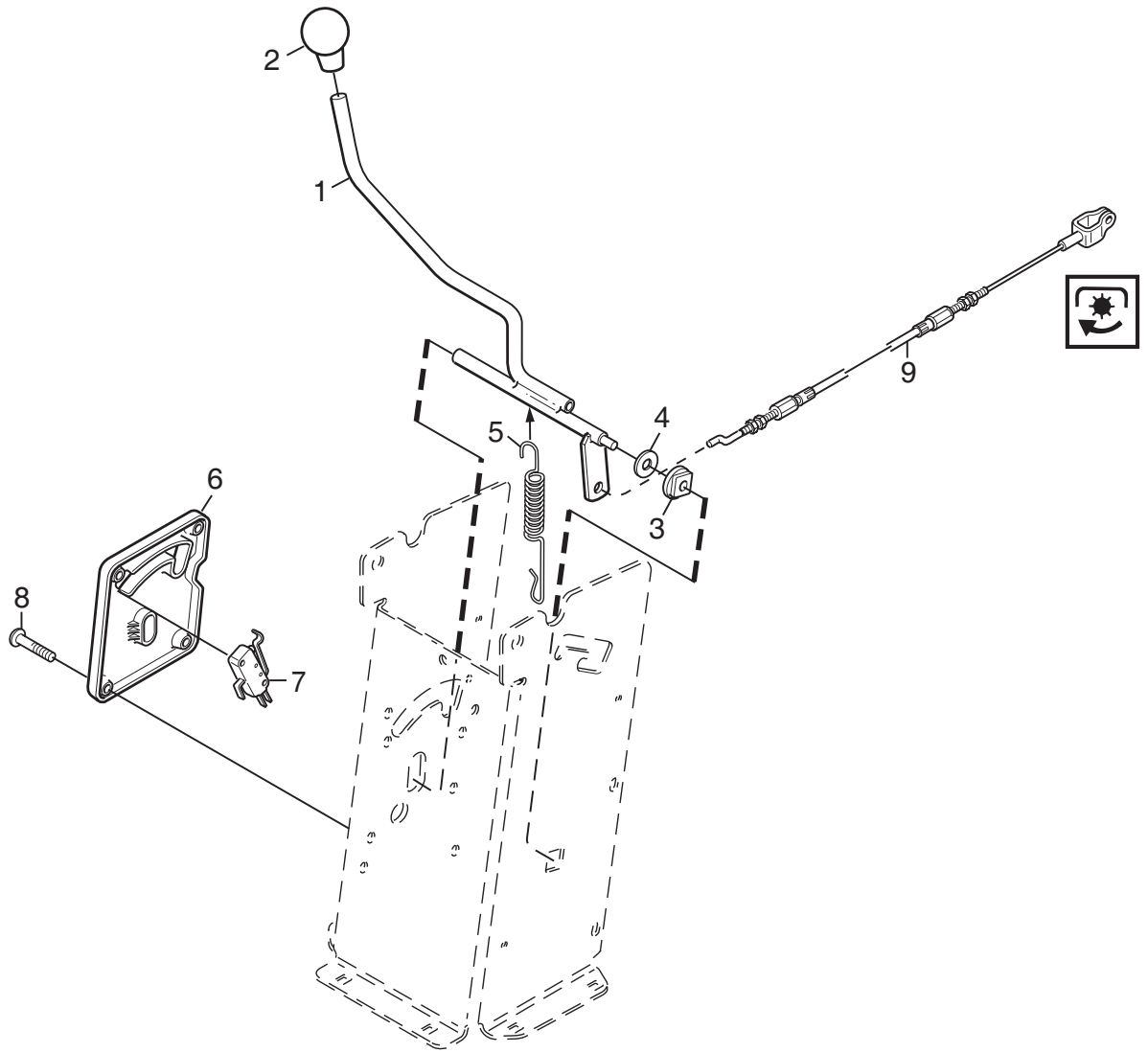
Utgåva Issue		Bildnr Picture No		PARK COMPACT 4WD PEDALLYFT		PARK COMPACT 4WD PEDAL LIFT		Sida Page	
2009- 11		1023D						36	
Pos. Fig.	Antal/Quantity				Art nr Part No	Benämning	Description	Sats Kit	Anmärkning Notes
	6104 -20								
1	1				1134-4117-01 Fäste	Bracket			
2	2				1134-2684-01 Lager	Bearing			
3	1				1134-4945-01 Lyftspärr kpl	Lift catch assy			
7	1				9404-0027-01 • O- ring	• O- ring			
8	1				9650-0039-04 • Seegersäkring	• Lock ring			
9	1				9595-0276-01 • Spännstift	• Locating pin			
10	1				9997-0640-12 • Skruv	• Screw			
11	1				9747-0631-02 • Låsmutter	• Lock nut			
13	1				9897-0820-16 • Skruv	• Screw			
14	1				9747-0831-02 Mutter	Lock nut			
15	1				1134-4860-01 Lyftgaffel	Lift fork			
16	2				1134-0240-00 Ansatsskruv	Shoulder screw			
17	1				1134-4938-01 Lyftpedal	Lift pedal			
18	2				9997-0625-16 Skruv	Screw			
19	2				9739-0631-22 Mutter	Nut			
20	1				4231-0013-00 Fjäder	Spring			



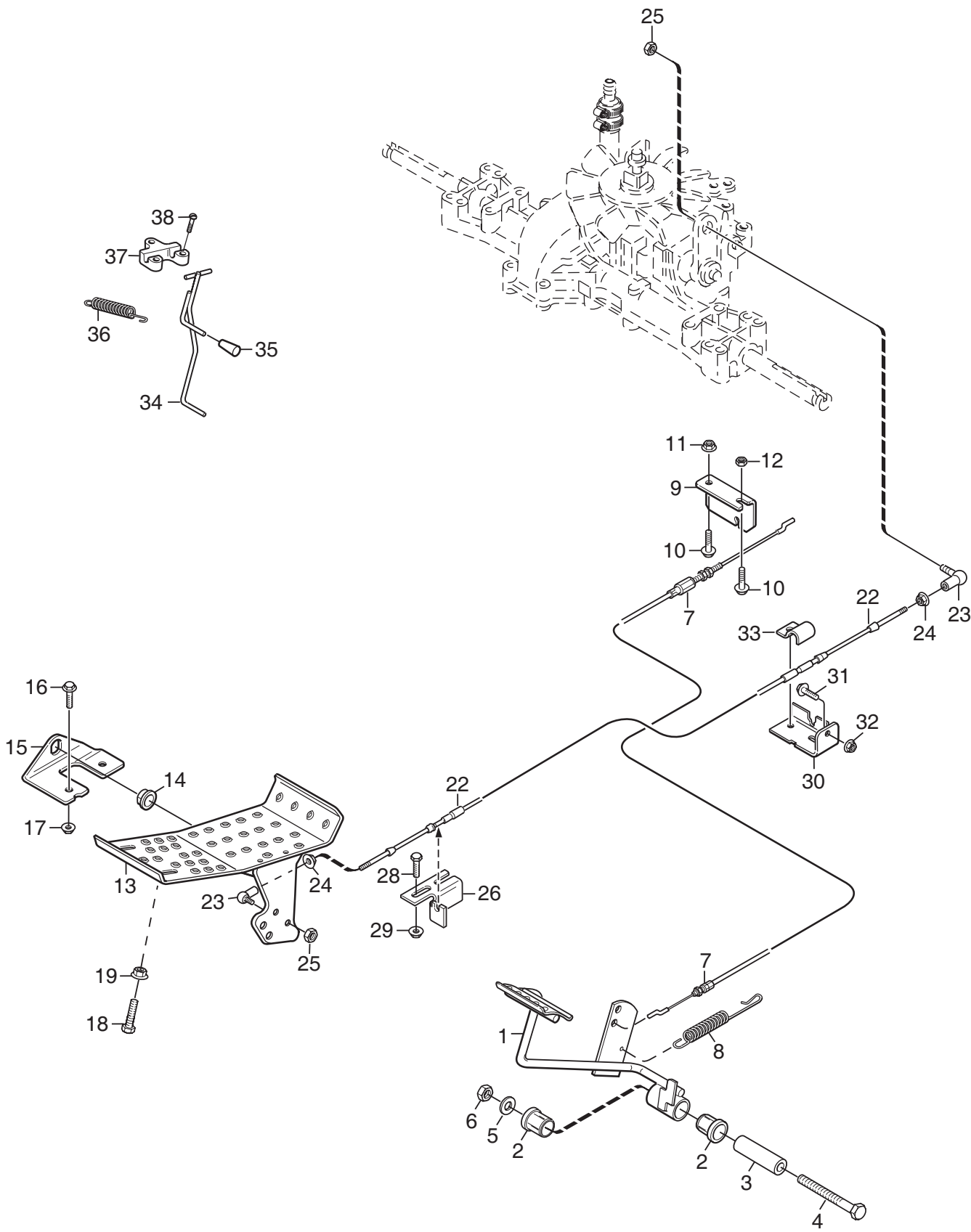
Utgåva Issue		Bildnr Picture No		PARK COMPACT 4WD SITS		PARK COMPACT 4WD SEAT		Sida Page	
2009- 11		1657B						38	
Pos. Fig.	Antal/Quantity				Art nr Part No	Benämning	Description	Sats Kit	Anmärkning Notes
	6104 -20								
2	1				1134-6444-01 Sits	Seat			
3	1				1134-5301-01 Sitsplatta	Seat plate			
4	2				1134-0240-00 Ansatsskruv	Shoulder screw			
5	2				9747-0831-02 Mutter	Lock nut			
6	1				1134-5454-01 Spärr	Catch			
7	1				9675-0012-02 Starlock	Locking washer			
10	4				9893-0616-16 Skruv	Screw			
11	1				1134-5300-01 Bakstycke	Rear plate			
12	1				1134-5296-04 Sitskonsol- gul	Seat bracket- yellow			
13	1				1134-4256-01 Sitsfjäder	Seat spring			
14	1				9924-1235-19 Skruv	Screw			
15	1				9747-1231-02 Låsmutter	Lock nut			
16	1				9997-0840-16 Skruv	Screw			
17	1				1134-1565-06 Distans	Spacer			
18	1				1134-5302-01 Fjäder	Spring			
19	1				1134-5299-01 Tryckplatta	Push plate			
20	1				9699-0090-02 Planbricka	Flat washer			
21	1				9747-0831-02 Mutter	Lock nut			
22	1				1134-3156-02 Brytare (grå)	Switch (grey)			
26	2				9897-0880-12 Skruv	Screw			L = 80 mm
27	2				1134-1565-08 Distans	Spacer			
28	4				9897-0820-16 Skruv	Screw			L = 20 mm
29	6				9747-0831-02 Mutter	Lock nut			



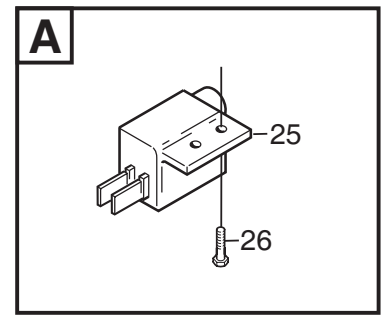
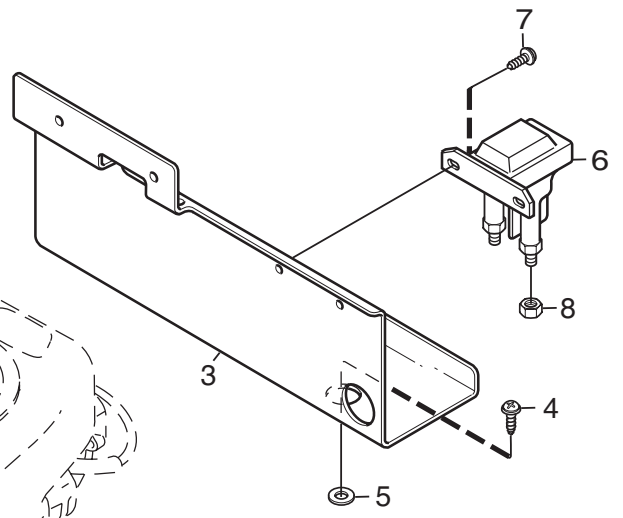
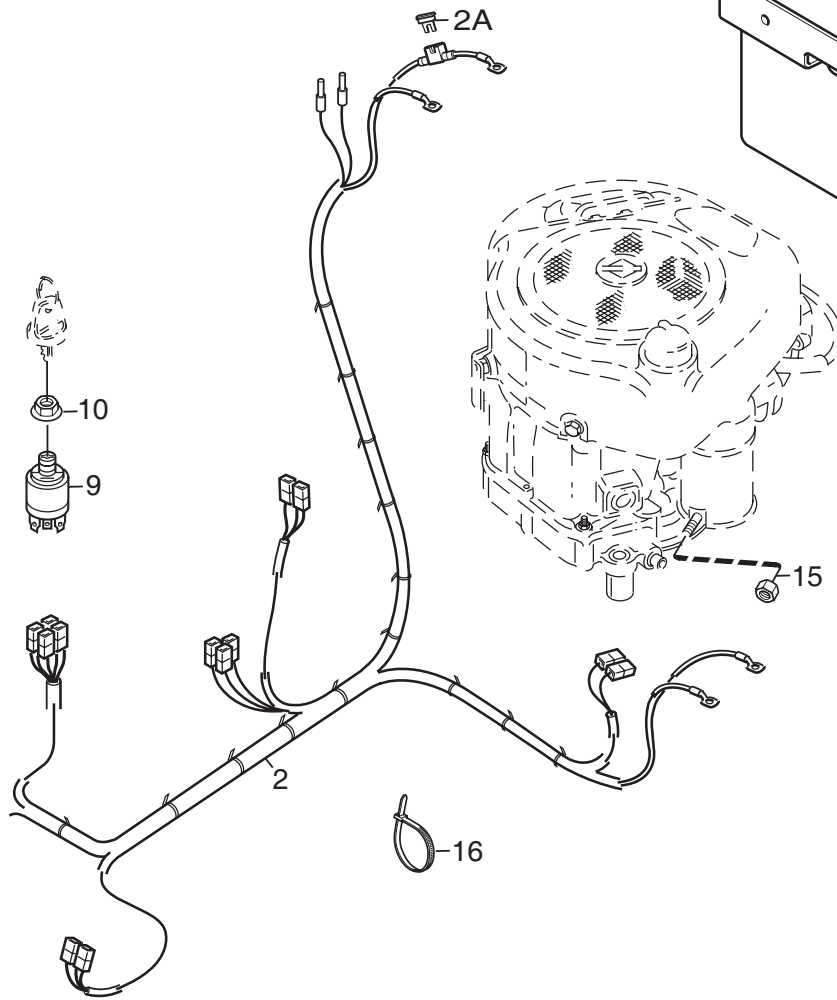
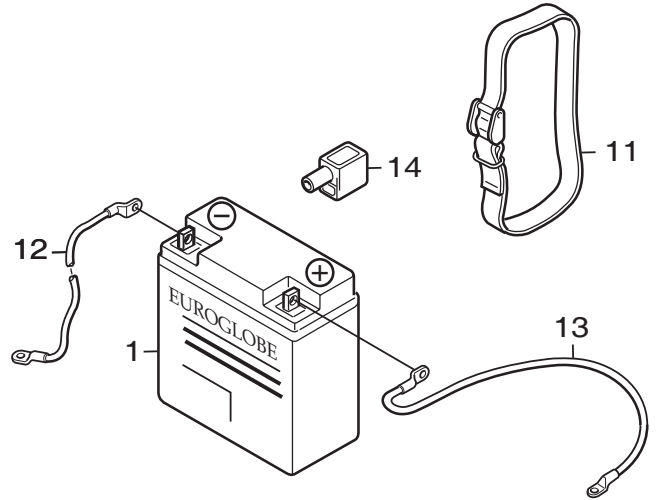
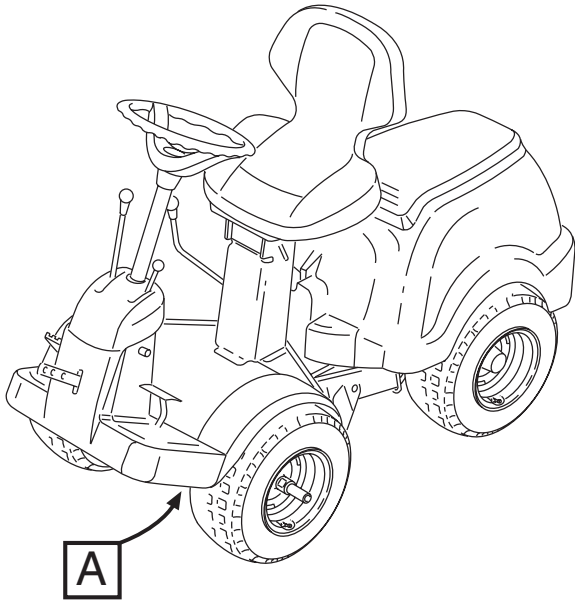
Utgåva Issue		Bildnr Picture No		PARK COMPACT 4WD STYRNING		PARK COMPACT 4WD STEERING		Sida Page	
2009- 11		2025						40	
Pos. Fig.	Antal/Quantity				Art nr Part No	Benämning	Description	Sats Kit	Anmärkning Notes
	6104 -20								
1	1				1134-6374-10 Kedja	Chain.....		129 länk Sats vä+hö/kit L+R	
3	1				1134-9099-01 Styrwire kpl (vä+hö)	Steering cable assy			
7	4				1134-2824-02 Kedjelås	Chain lock			
8	2				1134-5652-01 Fäste	Attachment.....			
9	4				1134-5651-01 Bygel	Bracket.....			
10	2				1134-2816-01 Kedjehjul.....	Sprocket.....			
11	2				1134-0041-02 Linhjulshylsa	Idler wheel bush.....			
12	2				1134-4817-01 Kolvstångssprint.....	Pin			
13	2				9699-0035-02 Planbricka.....	Flat washer.....			
14	2				9599-0054-02 Saxpinne.....	Cotter pin			
15	2				1134-3817-01 Tryckfjäder.....	Compression spring.....			
16	2				9699-0090-02 Planbricka.....	Flat washer.....			
17	2				9747-0831-02 Mutter.....	Lock nut			
18	4				1134-2816-01 Kedjehjul.....	Sprocket.....			
19	4				1134-5653-01 Distans	Spacer.....			
20	2				9699-0035-02 Planbricka.....	Flat washer.....			
21	2				9997-1060-12 Skruv	Screw.....			
22	2				9739-1031-22 Mutter.....	Nut			
23	2				9897-1060-12 Skruv	Screw.....			
24	2				9731-1031-22 Mutter.....	Nut			
25	2				1134-9025-01 Linhjul- sats	Steering pulley- kit	Sats 2 st/kit of 2		
26	2				1134-0041-01 Linhjulshylsa	Bushing.....			
27	2				1134-0046-00 Linhållare.....	Wire clamp.....			
28	2				9997-1040-16 Skruv	Screw.....			
29	2				9699-0035-02 Planbricka.....	Flat washer.....			
30	2				9739-1031-22 Mutter.....	Nut			
31	1				1134-5349-01 Styrkonsol- gul	Steering console- yel.....			
32	4				9897-0820-16 Skruv	Screw.....			
33	4				9739-0831-22 Mutter.....	Nut			
34	1				1134-1305-05 Rattrör- nedre	Steering column- lower			
35	2				1134-1901-01 Lager	Bearing.....			
36	1				1134-2821-05 Rattstång	Steering rod			
41	2				9893-0616-16 Skruv	Screw.....			
42	1				1134-2837-03 Distans	Spacer.....			
52	1				1134-5496-01 Ratt.....	Steering wheel			



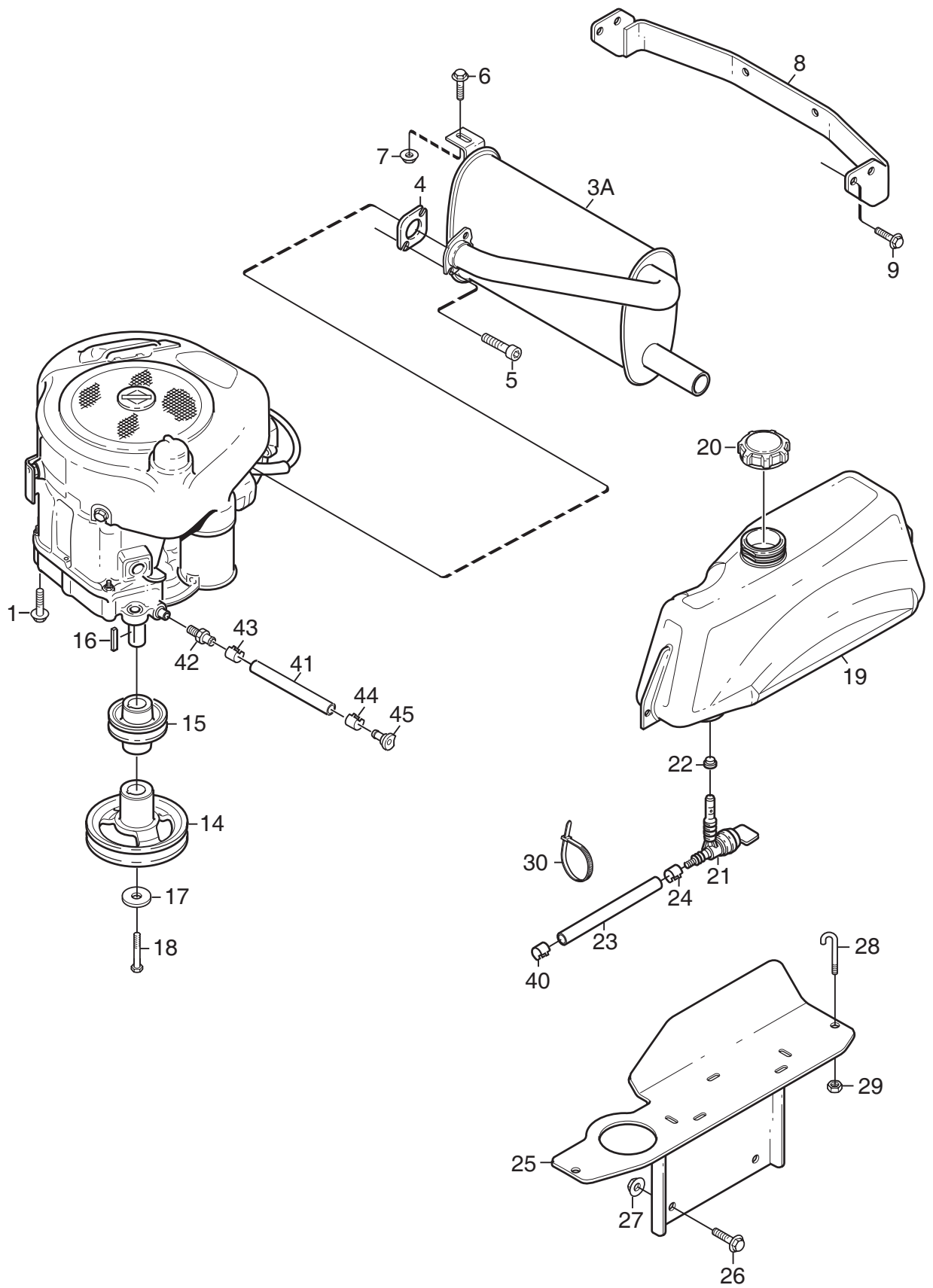
Utgåva Issue 2009- 11		Bildnr Picture No 1670B		PARK COMPACT 4WD HANDREGLAGE		PARK COMPACT 4WD HAND CONTROLS		Sida Page 42	
Pos. Fig.	Antal/Quantity				Art nr Part No	Benämning	Description	Sats Kit	Anmärkning Notes
	6104 -20								
1	1				1134- 6301- 01	Aggregatsspak.....	Engagement lever		
2	1				1134- 2551- 01	Reglageknopp.....	Knob		
3	1				1134- 3790- 02	Lager	Bearing.....		
4	1				9699- 0090- 02	Planbricka.....	Flat washer.....		
5	1				4231- 0013- 00	Fjäder.....	Spring		
6	1				1134- 5368- 01	Panel	Dashboard		
7	1				9400- 0312- 01	Mikrobrytare.....	Micro switch		
8	4				9946- 0525- 16	Skruv	Screw		
9	1				1134- 3573- 05	Reglagewire.....	Control cable.....		
20	1				1134- 5465- 01	Gasreglage.....	Throttle lever.....		
21	1				1134- 4078- 01	Knopp.....	Knob		
22	1				1134- 5464- 01	Fäste.....	Bracket.....		
23	1				1134- 0240- 00	Ansatsskruv.....	Shoulder screw.....		
24	2				1134- 4242- 01	Distansbricka.....	Spacer washer		
25	1				9694- 0001- 00	Fjäderbricka	Washer.....		
26	1				9747- 0831- 02	Mutter.....	Lock nut.....		
27	1				1134- 4197- 03	Gaswire	Throttle cable		
28	1				9500- 9991- 00	Wireklämma	Cable clamp		
29	1				9943- 0516- 16	Skruv.....	Screw.....		



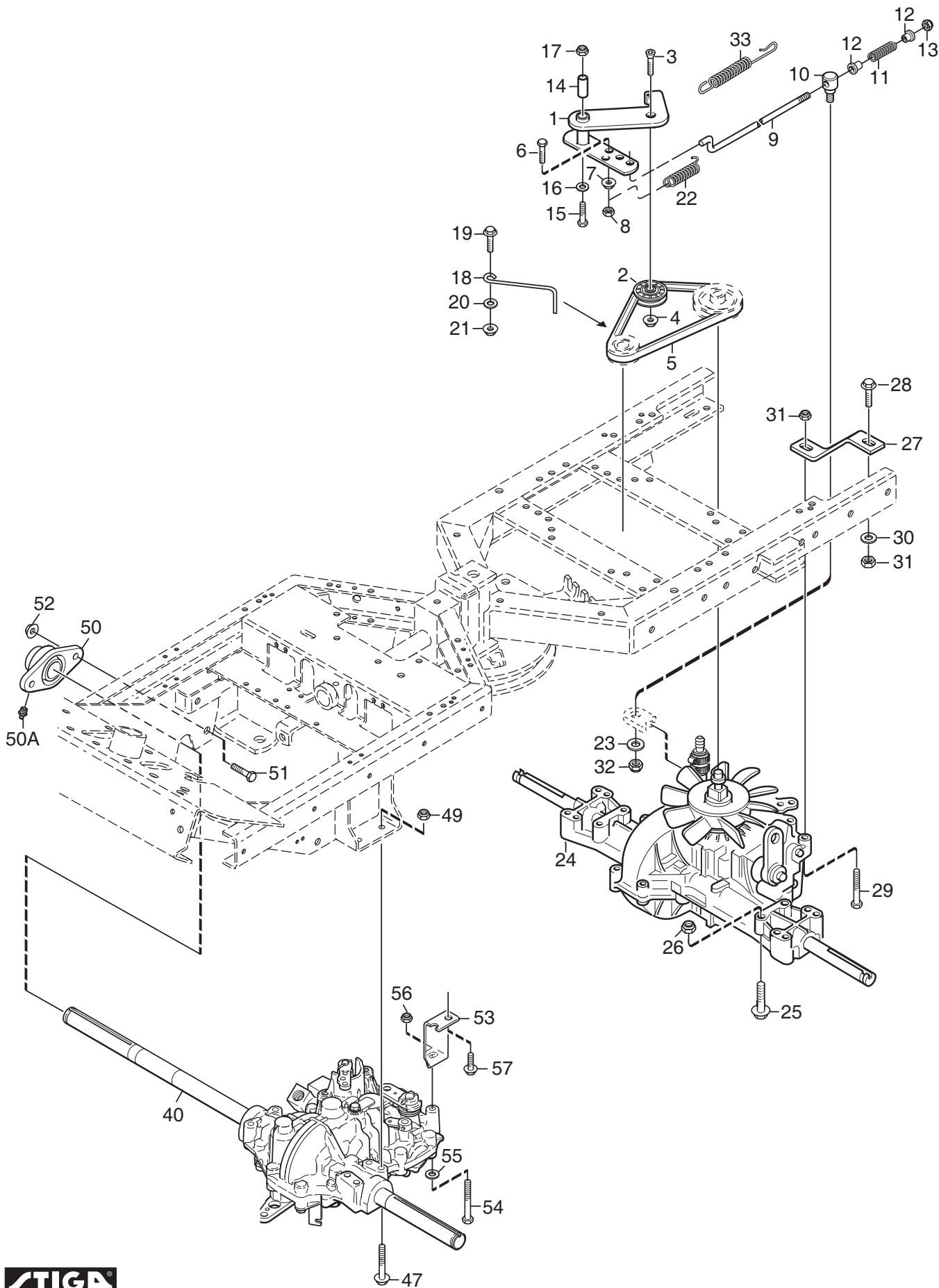
Utgåva Issue		Bildnr Picture No		PARK COMPACT 4WD FOTREGLAGE		PARK COMPACT 4WD FOOT CONTROLS		Sida Page	
2009- 11		2026A						44	
Pos. Fig.	Antal/Quantity				Art nr Part No	Benämning	Description	Sats Kit	Anmärkning Notes
	6104 -20								
1	1				1134-5655-01	Broms/kopplingspedal.....	Brake/clutch pedal.....		Sats 4 st/kit of 4
2	1				1134-9024-01	Lager.....	Bearing.....		
3	1				1134-5677-02	Distans.....	Spacer.....		
4	1				9997-1070-12	Skruv.....	Screw.....		
5	1				9699-0030-02	Planbricka.....	Flat washer.....		
6	1				9739-1031-22	Mutter.....	Nut.....		
7	1				1134-6005-01	Wire.....	Cable.....		
8	1				4231-0013-00	Fjäder.....	Spring.....		
9	1				1134-6467-01	Wirefäste.....	Cable holder.....		
10	2				9959-0820-16	Skruv.....	Screw.....		
11	1				9739-0831-22	Mutter.....	Nut.....		
12	1				9747-0831-02	Mutter.....	Lock nut.....		
13	1				1134-6353-01	Drivpedal.....	Drive pedal.....		
14	2				1134-6313-01	Lager.....	Bearing.....		
15	2				1134-2700-01	Fäste.....	Bracket.....		
16	2				9959-0820-16	Skruv.....	Screw.....		
17	2				9739-0831-22	Mutter.....	Nut.....		
18	1				9997-0835-16	Skruv.....	Screw.....		
19	1				9739-0831-22	Mutter.....	Nut.....		
22	1				1134-2766-05	Reglagewire.....	Speed control cable.....		
23	2				9570-0001-00	Vinkellänk.....	Elbow link.....		
24	2				9739-0531-22	Mutter.....	Nut.....		
25	2				9747-0531-02	Mutter.....	Nut.....		
26	1				1134-6317-01	Wirefäste.....	Cable holder.....		
28	2				9959-0620-16	Skruv.....	Screw.....		
29	2				9739-0631-22	Mutter.....	Nut.....		
30	1				1134-3395-01	Fäste.....	Attachment.....		
31	2				9959-0820-16	Skruv.....	Screw.....		
32	2				9739-0831-22	Mutter.....	Nut.....		
33	1				1134-2021-01	Växelwirefäste.....	Clamp.....		
34	1				1134-5353-01	Bromsstång.....	Brake rod.....		
35	1				1134-2786-01	Plastknopp.....	Plastic knob.....		
36	1				1131-1497-01	Fjäder.....	Spring.....		
37	1				1134-4002-01	Fäste.....	Brake rod attachment.....		
38	3				9838-9516-12	Skruv.....	Screw.....		



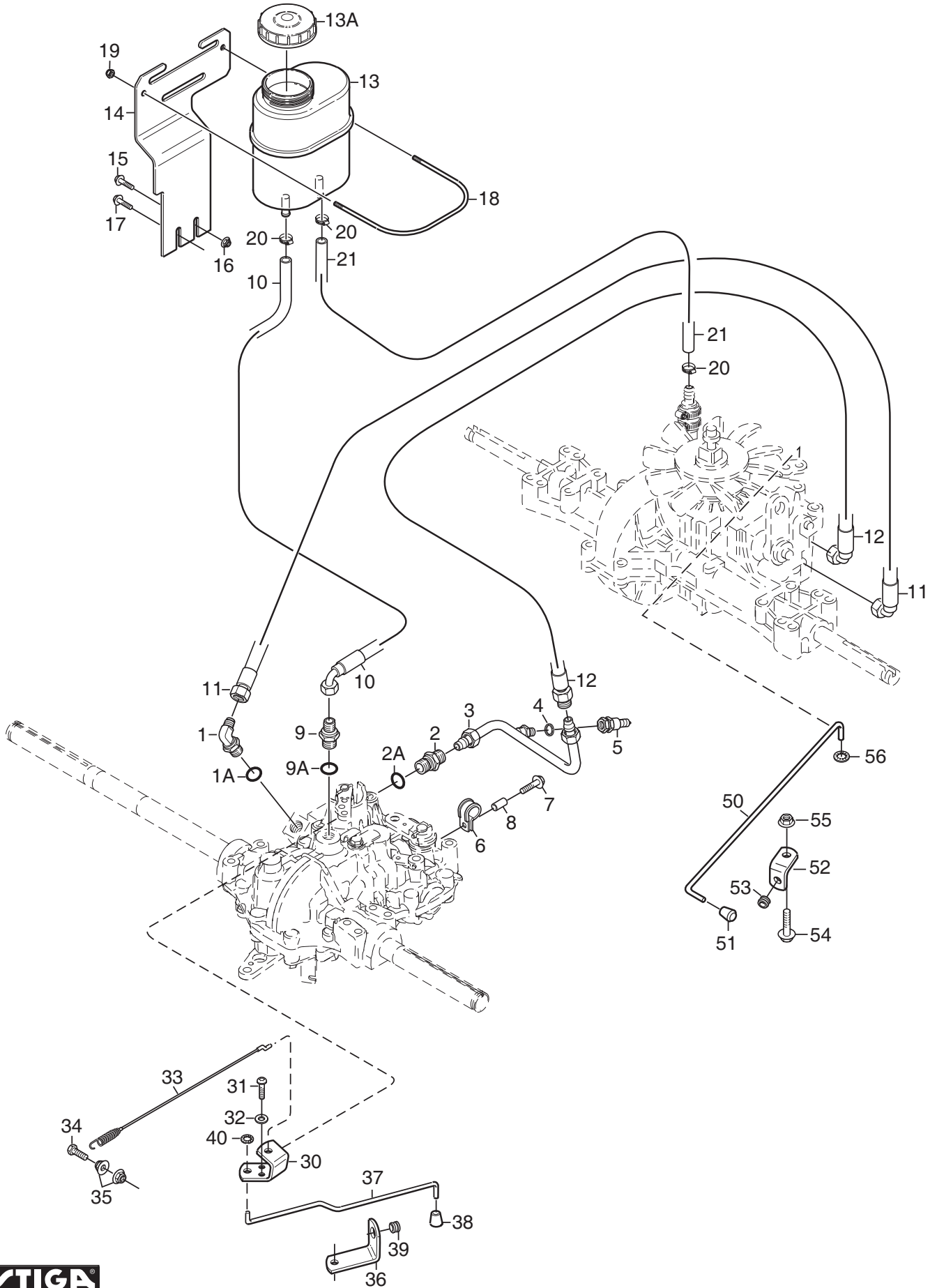
Utgåva Issue 2009- 11		Bildnr Picture No 1671D		PARK COMPACT 4WD ELUTRUSTNING		PARK COMPACT 4WD EL. EQUIPMENT		Sida Page 46	
Pos. Fig.	Antal/Quantity				Art nr Part No	Benämning	Description	Sats Kit	Anmärkning Notes
	6104 -20								
1	1				1134-4804-01	Batteri.....	Battery		20A
2	1				1134-5769-01	Kablage.....	Harness.....		
2A	1				1134-3496-06	• Säkring	• Fuse		
3	1				1134-5343-01	Batterikonsole	Battery bracket.....		
4	3				9852-8013-16	Skruv	Screw.....		
5	2				9699-0060-02	Planbricka.....	Flat washer.....		
6	1				1134-2962-01	Solenoid kpl	Solenoid assy.....		
7	2				9852-8013-16	Skruv	Screw.....		
8	2				9794-5131-02	• Mutter.....	• Nut		
9	1				1134-4093-01	Tändningslås	Ignition switch		
10	1				1134-4749-01	Mutter.....	Nut		
11	1				1134-5245-01	Batterirem.....	Battery strap		
12	1				1134-2167-01	Kabel	Cable.....		
13	1				1134-0234-02	Batterikabel (+).....	Battery cable (+).....		
14	1				1134-2310-01	Batteriskydd.....	Guard cap		
15	1				9795-3531-02	Mutter.....	Nut		
16	15				9579-0003-00	Buntband	Cable holder		
25	1				1134-3399-02	Brytare.....	Switch.....		
26	2				9943-0516-16	Skruv.....	Screw.....		



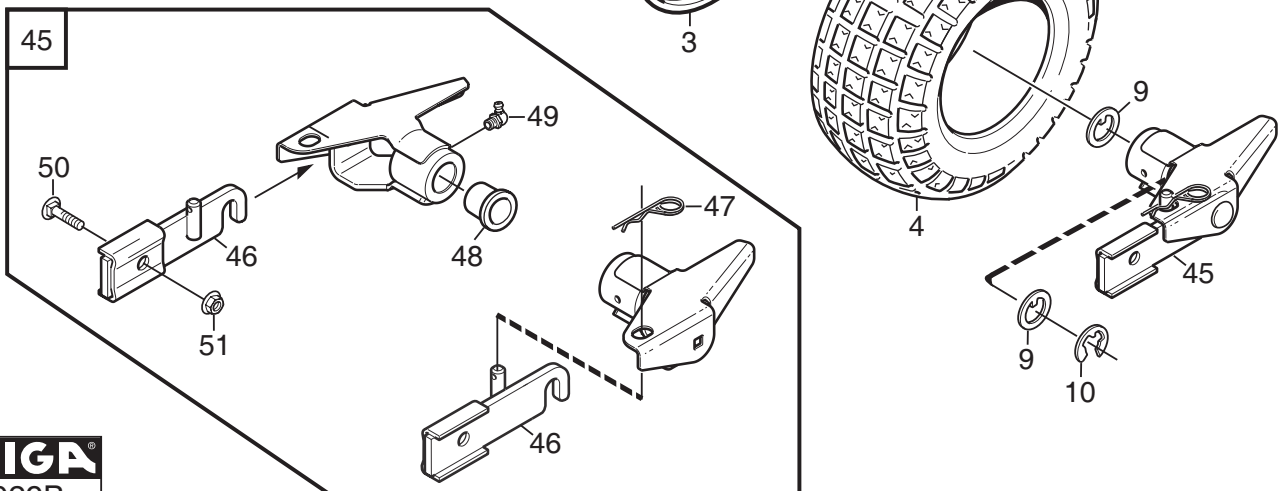
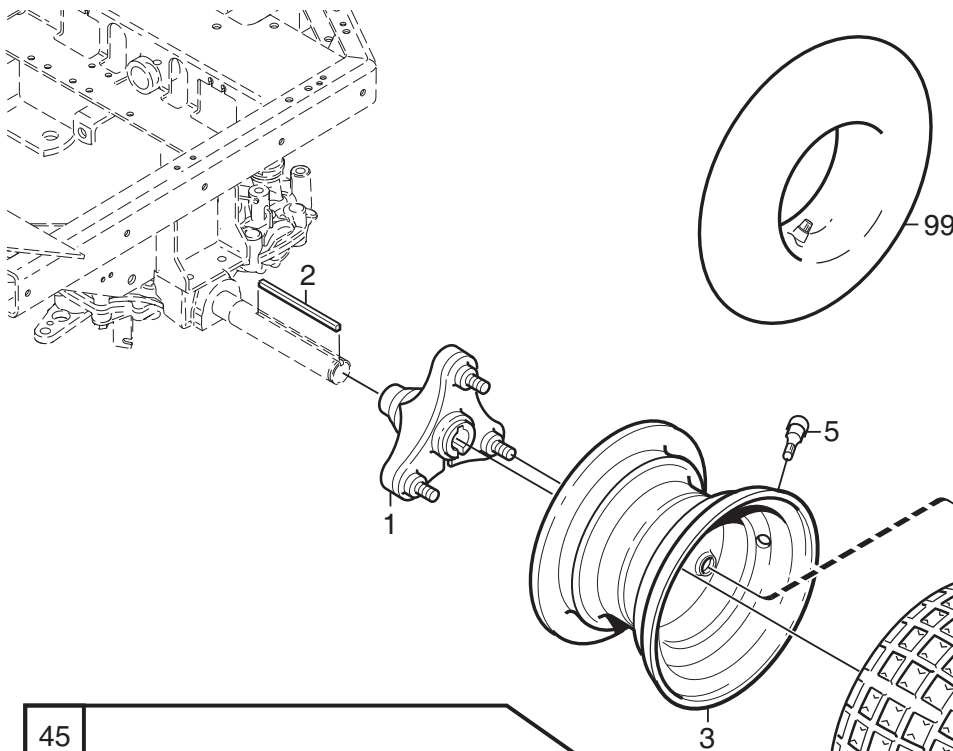
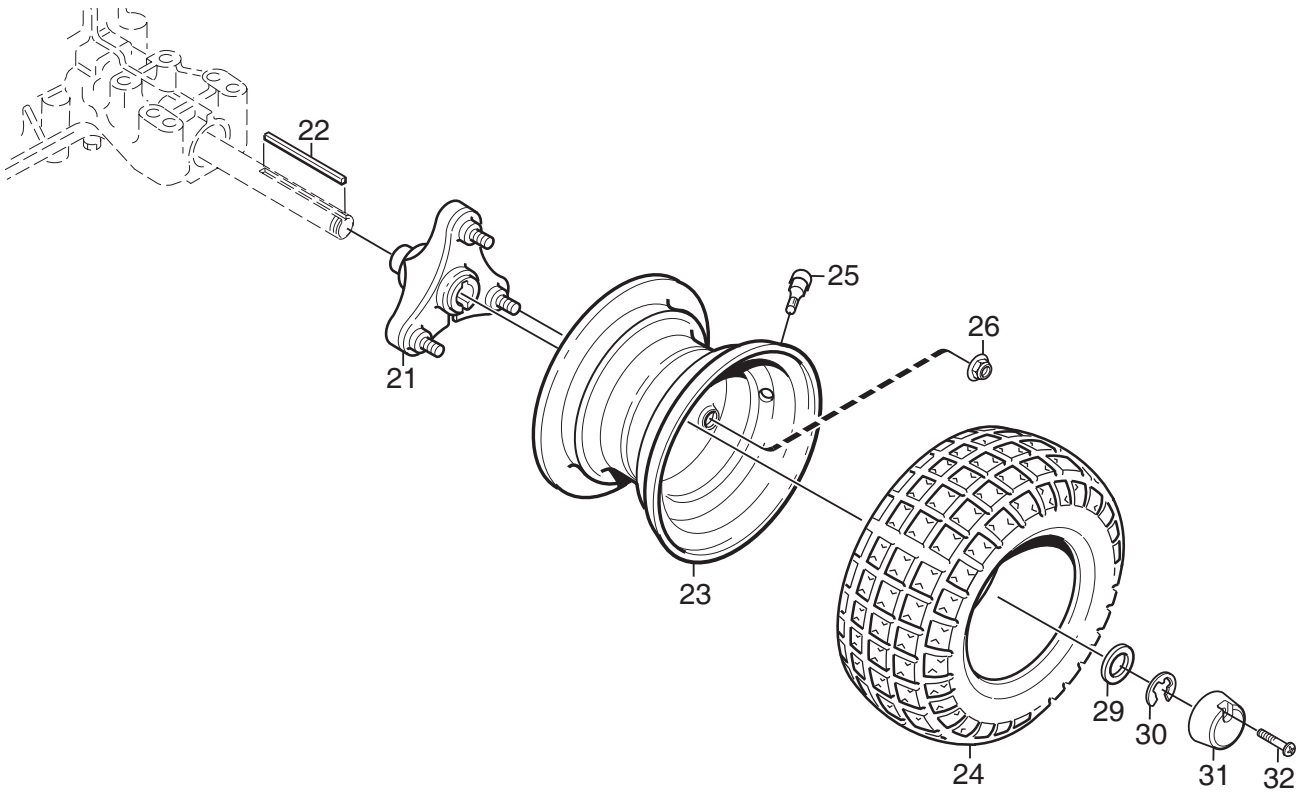
Utgåva Issue		Bildnr Picture No		PARK COMPACT 4WD MOTOR		PARK COMPACT 4WD ENGINE		Sida Page	
2009- 11		1672E						48	
Pos. Fig.	Antal/Quantity				Art nr Part No	Benämning	Description	Sats Kit	Anmärkning Notes
	6104 -20								
1	4				9955-3725-16 Skruv.....	Screw.....		3/8" UNC x 25 mm	
3A	1				1134-7784-01 Ljuddämpare	Muffler			
4	1				1134-0433-00 Ljuddämparpackning.....	Muffler gasket.....			
5	2				1134-4930-01 Skruv.....	Screw.....			
6	1				9959-0820-16 Skruv.....	Screw.....			
7	1				9739-0831-22 Mutter.....	Nut.....			
8	1				1134-5390-01 Dragkroksbalk	Tow bar bracket.....			
9	4				9945-0816-16 Skruv.....	Screw.....			
14	1				1134-6419-01 Motorremskiva	Engine pulley.....			
15	1				1134-6137-01 Motorremskiva	Engine pulley.....			
16	1				9600-0251-01 Kil	Key		L = 2 1/2"	
17	1				1134-5017-01 Bricka	Washer.....			
18	1				9987-5332-16 Skruv.....	Screw			
19	1				1134-6618-01 Bränsletank.....	Fuel tank			
20	1				1134-5532-01 Tanklock	Fuel tank cap.....			
21	1				1134-3224-01 Bensinkran.....	Fuel shut-off valve.....			
22	1				1134-3225-01 Gummibussning	Grommet.....			
23	1				1134-2975-07 Bensinslang	Fuel hose.....		L = 350 mm	
24	1				9578-0023-02 Slangklämna.....	Hose clamp			
25	1				1134-6627-01 Tankkonsol	Fuel tank bracket.....			
26	2				9959-0820-16 Skruv.....	Screw.....			
27	2				9739-0831-22 Mutter.....	Nut.....			
28	2				1134-5346-01 Tankbygel	Fuel tank loop.....			
29	2				9747-0631-02 Låsmutter	Lock nut.....			
30	1				9579-0003-00 Buntband	Cable holder			
40	1				9578-0023-02 Slangklämna.....	Hose clamp			
41	1				1134-5827-01 Oljeavtappning kpl	Oil drain assy		Inkl. pos 42- 45	
42	1				1134-5825-01 • Nippel	• Nipple.....			
43	1				9578-0023-04 • Slangklämna.....	• Hose clamp			
44	1				1134-3499-02 • Slangklämna.....	• Hose clamp			
45	1				1134-5826-01 • Plugg	• Plug.....			



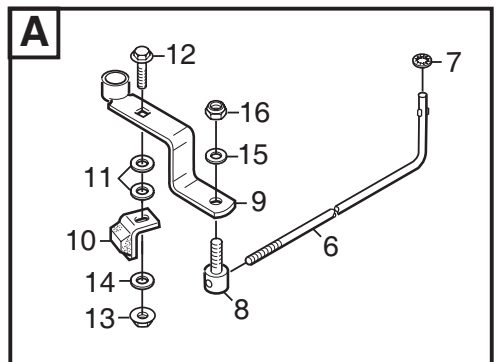
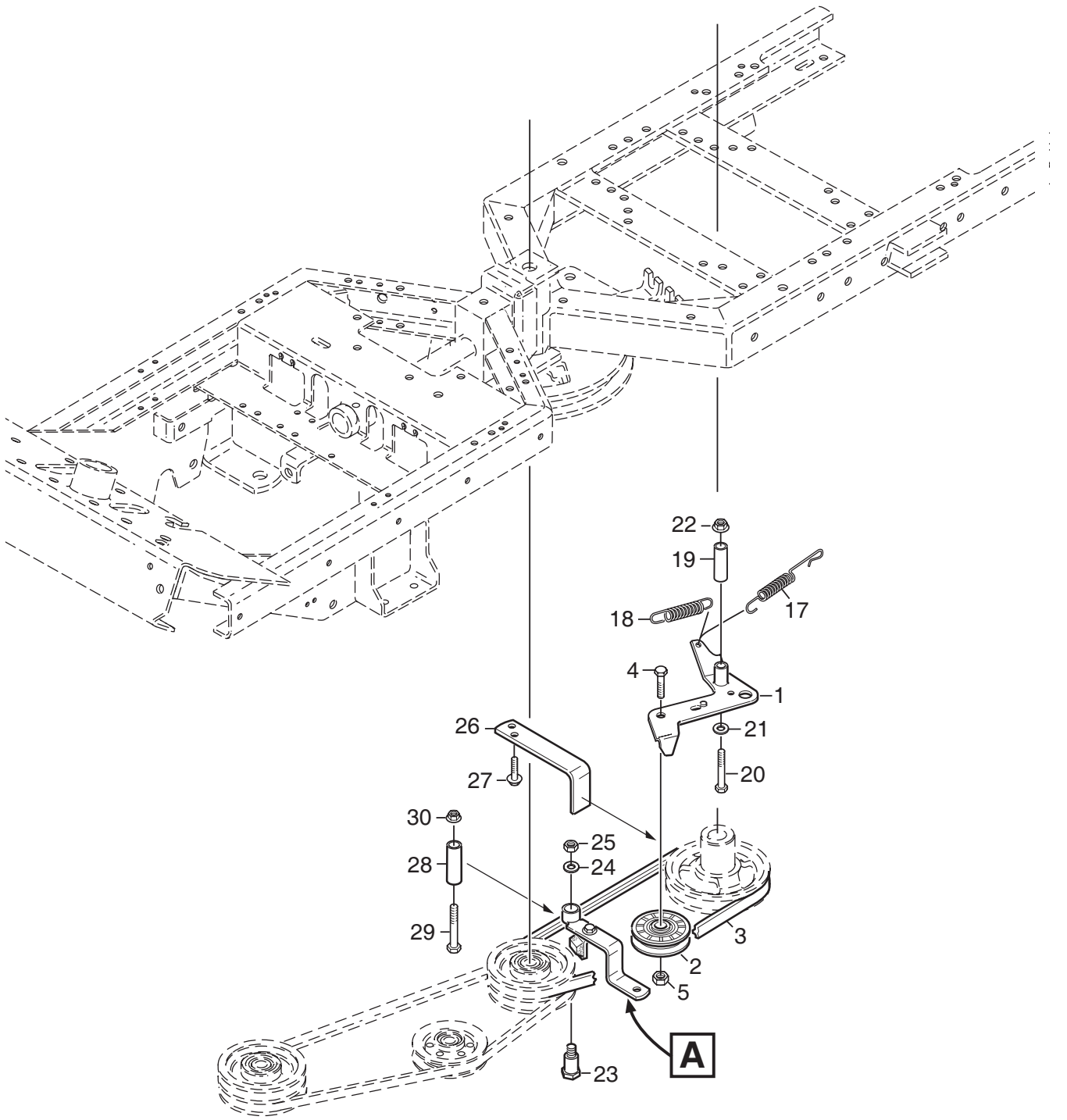
Utgåva Issue 2009- 11		Bildnr Picture No 2027B		PARK COMPACT 4WD TRANSMISSION (mekaniska delar)		PARK COMPACT 4WD TRANSMISSION (mechanical parts)		Sida Page 50	
Pos. Fig.	Antal/Quantity				Art nr Part No	Benämning	Description	Sats Kit	Anmärkning Notes
	6104 -20								
1	1				1134- 4000- 02	Spännarm	Tension arm		= 9585- 0091- 01
2	1				1134- 3459- 01	Spännrulle	Tension roller		
3	1				9924- 1035- 16	Skruv	Screw		
4	1				9799- 1031- 02	Mutter	Nut		
5	1				1134- 9058- 01	Drivrem	V- belt.....		
6	1				9997- 0625- 16	Skruv	Screw		
7	1				9739- 0631- 22	Mutter	Nut		
8	1				9747- 0631- 02	Låsmutter	Lock nut		
9	1				1134- 3377- 02	Reglagestång	Control rod.....		
10	1				1134- 4171- 01	Ledtapp	Pivot pin		
11	1				1134- 4183- 01	Tryckfjäder	Compression spring.....		
12	2				1134- 3456- 01	Bussning	Bushing.....		
13	1				9747- 0631- 02	Låsmutter	Lock nut		
14	1				1134- 1565- 08	Distans	Spacer		
15	1				9997- 0870- 16	Skruv	Screw		
16	1				9699- 0056- 02	Planbricka.....	Flat washer.....		
17	1				9747- 0831- 02	Mutter	Lock nut		
18	1				1134- 3289- 02	Remstyrning	Belt guide		
19	1				9959- 0820- 16	Skruv	Screw		
20	1				9699- 0056- 02	Planbricka.....	Flat washer.....		
21	1				9739- 0831- 22	Mutter	Nut		
22	1				1134- 6414- 01	Fjäder.....	Spring		
23	1				9699- 0060- 02	Planbricka.....	Flat washer.....		
24	1				1134- 6394- 01	Transaxel kpl.....	Transaxle assy.....	Kanzaki K574G	
25	4				9960- 0860- 12	Skruv	Screw		
26	4				9747- 0831- 02	Mutter	Lock nut		
27	1				1134- 3913- 01	Reaktionsstag	Strut		
28	1				9959- 0825- 16	Skruv	Screw		
29	1				9997- 0845- 12	Skruv	Screw		
30	1				9699- 0090- 02	Planbricka.....	Flat washer.....		
31	2				9747- 0831- 02	Mutter	Lock nut		
32	1				9747- 0631- 02	Låsmutter	Lock nut		
33	1				4231- 0013- 00	Fjäder.....	Spring		
40	1				1134- 6029- 01	Motoraxel- fram	Transaxle- front	Kanzaki KTM 10M	
47	2				9960- 0860- 12	Skruv	Screw		
49	2				9747- 0831- 02	Mutter	Lock nut		
50	1				1134- 5703- 01	Flänslagerenhet	Flange bearing.....		
50A	1				9501- 0500- 00	• Smörjnippel	• Grease joint.....		
51	2				9997- 1040- 16	Skruv	Screw		
52	2				9731- 1031- 22	Mutter	Nut		
53	1				1134- 5670- 01	Reaktionsstag	Strut		
54	1				9997- 0880- 16	Skruv	Screw		
55	1				9699- 0090- 02	Planbricka.....	Flat washer.....		
56	1				9747- 0831- 02	Mutter	Lock nut		
57	2				9945- 0816- 16	Skruv	Screw		



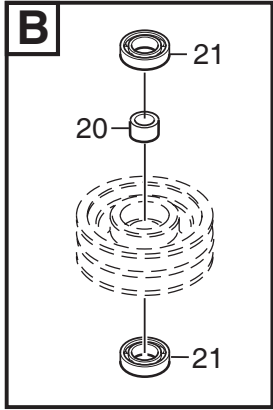
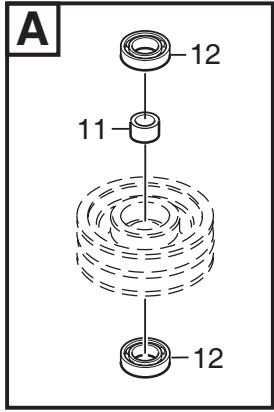
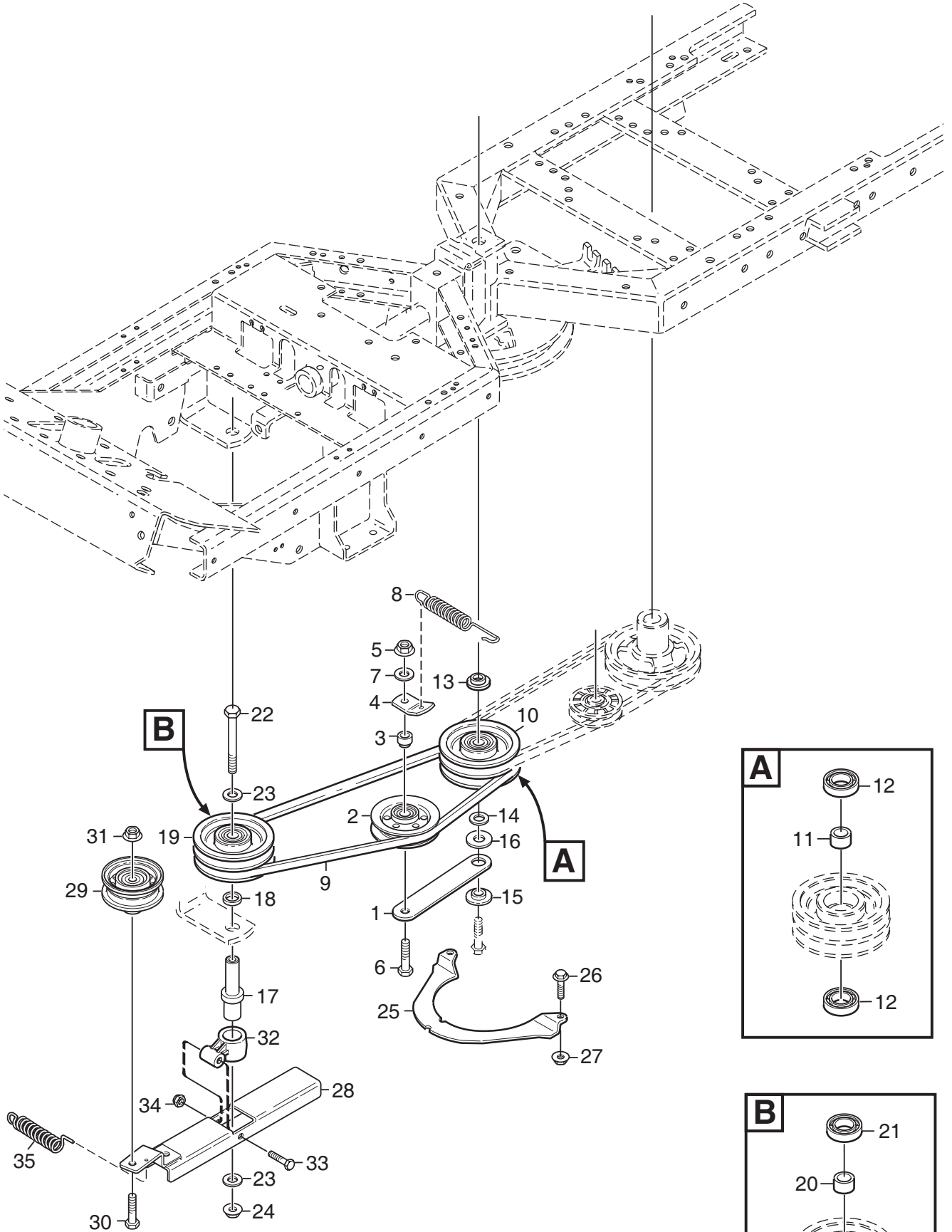
Utgåva Issue 2009- 11		Bildnr Picture No 2028		PARK COMPACT 4WD TRANSMISSION (hydrauliska delar)		PARK COMPACT 4WD TRANSMISSION (hydraulic parts)		Sida Page 52	
Pos. Fig.	Antal/Quantity				Art nr Part No	Benämning	Description	Sats Kit	Anmärkning Notes
	6104 -20								
1	1				1134-6044-01	Vinkeladapter	Angle coupling		3/4" x 9/16"
1A	1				9404-0029-01	• O-ring	• O-ring		
2	1				1134-5875-01	Skäringskoppling	Hydraulic coupling		3/4"
2A	1				9404-0029-01	• O-ring	• O-ring		
3	1				1134-6039-01	Hydraulrör	Hydraulic pipe		
4	1				1134-4948-01	Tredobricka	Seal washer		1/4"
5	1				1134-6042-01	Snabbkoppling- hane	Quick coupling- male		
6	1				9578-0028-01	Rörklammer	Tube clamp		
7	1				9959-0825-16	Skruv	Screw		
8	1				1134-1565-09	Distans	Spacer		
9	1				1134-5809-01	Adapter	Hydraulic coupling		3/4" x 9/16"
9A	1				9404-0029-01	• O-ring	• O-ring		
10	1				1134-5758-01	Hydraulslang	Hydraulic tube		
11	1				1134-6048-01	Hydraulslang	Hydraulic tube		
12	1				1134-6043-01	Hydraulslang	Hydraulic tube		
13	1				1134-6011-01	Hydraultank	Hydraulic oil tank		
13A	1				1134-5965-01	• Tanklock	• Tank cap		
14	1				1134-6009-01	Tankkonsol	Tank bracket		
15	1				9959-0820-16	Skruv	Screw		
16	1				9739-0831-22	Mutter	Nut		
17	1				9945-0816-16	Skruv	Screw		
18	1				1134-6030-01	Tankbygel	Tank loop		
19	2				9747-0631-02	Låsmutter	Lock nut		
20	3				9578-0023-04	Slangklämma	Hose clamp		
21	1				1134-2779-08	Slang	Tube		L = 165 mm
30	1				1134-6162-01	Fäste	Bracket		
31	2				9939-0612-16	Skruv	Screw		
32	2				9699-0025-02	Planbricka	Washer		
33	1				1134-6163-01	Wire	Cable		
34	1				9997-0835-12	Skruv	Screw		
35	2				9739-0831-22	Mutter	Nut		
36	1				1134-6084-01	Reglagekonsol	Control bracket		
37	1				1134-6083-01	Reglagestång	Control rod		
38	1				1134-4014-01	Plastknopp	Plastic button		
39	1				1134-2790-01	Gummihylsa	Rubber grommet		
40	1				9675-0009-02	Starlock	Starlock		
50	1				1134-4015-01	Dragstång	Pull rod		
51	1				1134-4014-01	Plastknopp	Plastic button		
52	1				1134-4713-01	Vinkel	Bracket		
53	1				1134-2790-01	Gummihylsa	Rubber grommet		
54	1				9959-0820-16	Skruv	Screw		
55	1				9739-0831-22	Mutter	Nut		
56	1				9675-0009-02	Starlock	Starlock		



Utgåva Issue		Bildnr Picture No		PARK COMPACT 4WD HJUL		PARK COMPACT 4WD WHEELS		Sida Page	
2009- 11		2029B						54	
Pos. Fig.	Antal/Quantity				Art nr Part No	Benämning	Description	Sats Kit	Anmärkning Notes
	6104 -20								
1	2				1134-4844-03 Hjulnav	Wheel hub			
2	2				1134-3383-02 Kil	Key			
3	2				1134-4558-01 Fälg	Rim			
4	2				9545-0116-00 Däck	Tyre			16 x 7.50 - 8
5	2				9545-0500-00 Ventil	Valve			
6	6				9731-1031-22 Mutter	Nut			
9	4				1134-5797-01 .BrickaWasher			
10	2				9653-0002-04 .SpårryttareLock ring			
21	2				1134-4844-02 Hjulnav	Wheel hub			
22	2				1134-2471-01 Kil	Key			
23	2				1134-4558-01 Fälg	Rim			
24	2				9545-0116-00 Däck	Tyre			16 x 7.50 - 8
25	2				9545-0500-00 Ventil	Valve			
26	6				9731-1031-22 Mutter	Nut			
29	2				9699-0042-02 Planbricka	Flat washer			
30	2				9653-0001-04 Spårryttare	Lock ring			
31	2				1134-4796-01 Navkapsel	Hub cap			
32	2				9947-0540-19 Skruv	Screw			
45	1				13-0993-61 Snabbfästen kpl	Quick connections assy			Inkl. pos 9, 10, 46 - 51
46	1				1134-7465-01 .Fästen kplAttachments assy			Inkl. pos 50 - 51
47	2				9598-2001-02 .LåsnålSpring pin			
48	4				1134-5686-01 .LagerBearing			
49	2				9501-0502-00 .SmörjnippelGrease joint			
50	2				9898-1035-16 .SkruvScrew			
51	2				9739-1031-22 .MutterNut			
99					9545-0203-00 Innerslang	Inner tube			Reservdel/spare part



Utgåva Issue		Bildnr Picture No		PARK COMPACT 4WD KRAFTUTTAG 1		PARK COMPACT 4WD POWER TAKE-OFF 1		Sida Page	
2009-11		2030						56	
Pos. Fig.	Antal/Quantity				Art nr Part No	Benämning	Description	Sats Kit	Anmärkning Notes
	6104 -20								
1	1				1134-2018-02 Spännarm	Tension arm			
2	1				1134-9027-02 Spännrulle- grå	Tension roller- grey			
3	1				1134-9071-01 Drivrem	V- belt			= 9585-0129-01
4	1				9997-1030-16 Skruv	Screw			
5	1				9799-1031-02 Mutter	Nut			
6	1				1134-4162-01 Bromsstång	Brake rod			
7	1				9675-0008-02 Starlock	Locking washer			
8	1				1134-4170-01 Nippel	Nipple			
9	1				1134-4111-01 Bromsarm	Brake arm			
10	1				1134-4164-03 Bromsklots	Brake pad			
11	2				9699-0035-02 Planbricka	Flat washer			
12	1				9897-0825-16 Skruv	Screw			
13	1				9747-0831-02 Mutter	Lock nut			
14	1				9699-0090-02 Planbricka	Flat washer			
15	1				9699-0025-02 Planbricka	Washer			
16	1				9747-0631-02 Låsmutter	Lock nut			
17	1				4231-0013-00 Fjäder	Spring			
18	1				1134-4231-01 Dragfjäder	Spring			
19	1				1134-1565-10 Distans	Spacer			
20	1				9997-0860-16 Skruv	Screw			
21	1				9699-0056-02 Planbricka	Flat washer			
22	1				9739-0831-22 Mutter	Nut			
23	1				1134-4163-01 Ansatssskruv	Shoulder bolt			
24	1				9699-0035-02 Planbricka	Flat washer			
25	1				9739-1031-22 Mutter	Nut			
26	1				1134-3958-01 Remstyrning	Belt guide			
27	2				9893-0616-16 Skruv	Screw			
28	1				1134-0041-03 Hylsa	Collar			
29	1				9997-1070-12 Skruv	Screw			
30	1				9739-1031-22 Mutter	Nut			



Utgåva Issue		Bildnr Picture No		PARK COMPACT 4WD KRAFTUTTAG 2		PARK COMPACT 4WD POWER TAKE-OFF 2		Sida Page	
2009-11		2031A						58	
Pos. Fig.	Antal/Quantity				Art nr Part No	Benämning	Description	Sats Kit	Anmärkning Notes
	6104 -20								
1	1				1134-1730-01 Spännhjulssarm	Tension wheel arm			
2	1				1134-3663-01 Spännrulle	Tension wheel			
3	1				1134-1888-05 Distans	Spacer			
4	1				1134-1893-01 Fjäderfäste	Spring attachment			
5	1				9739-1031-22 Mutter	Nut			
6	1				9997-1060-12 Skruv	Screw			
7	1				9699-0035-02 Planbricka	Flat washer			
8	1				1134-5713-01 Dragfjäder	Spring			
9	1				1134-9098-01 Drivrem	V-belt			
10	1				1134-1769-03 Centrumremskiva kpl.	Centre pulley assy			= 9585-0148-01
11	1				1134-0051-09 • Distans	• Spacer			
12	2				9549-0019-00 • Kullager	• Ball bearing			
13	1				1134-5548-01 Distans	Spacer			
14	1				9699-0035-02 Planbricka	Flat washer			
15	1				1134-0222-00 Bricka	Washer			
16	1				9699-0109-02 Planbricka	Flat washer			
17	1				1134-5663-01 Axel	Shaft			
18	1				1134-0052-00 Lagerdistans	Bearing spacer			
19	1				1134-1769-03 Centrumremskiva kpl.	Centre pulley assy			
20	1				1134-0051-09 • Distans	• Spacer			
21	2				9549-0019-00 • Kullager	• Ball bearing			
22	1				9997-1011-06 Skruv	Screw			
23	2				9699-0030-02 Planbricka	Flat washer			
24	1				9739-1031-22 Mutter	Nut			
25	1				1134-3654-01 Fingerskydd	Finger guard			
26	2				9959-0612-16 Skruv	Screw			
27	2				9739-0631-22 Mutter	Nut			
28	1				1134-5660-01 Spännarm	Tension arm			
29	1				1134-5823-01 Spännrulle	Tension roller			
30	1				9997-1050-16 Skruv	Screw			
31	1				9739-1031-22 Mutter	Nut			
32	1				1134-6314-01 Spännarmsfäste	Attachment			
33	1				9997-0645-12 Skruv	Screw			
34	1				9747-0631-02 Låsmutter	Lock nut			
35	1				1134-5824-01 Fjäder	Spring			