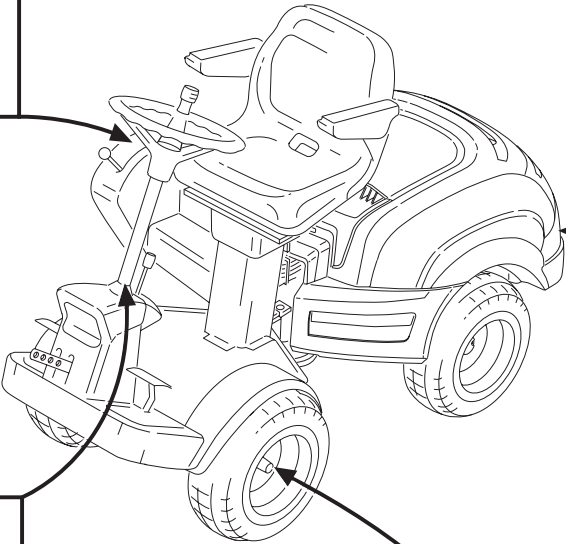
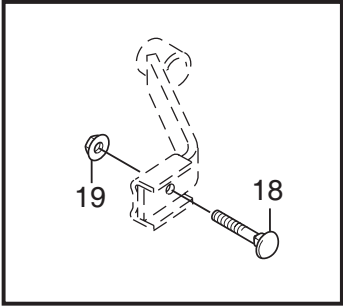
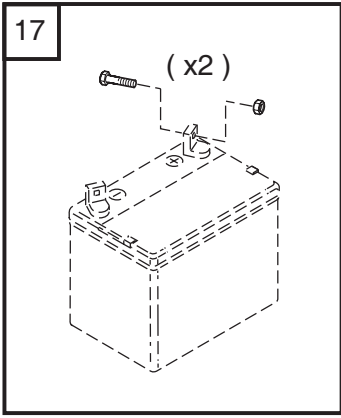
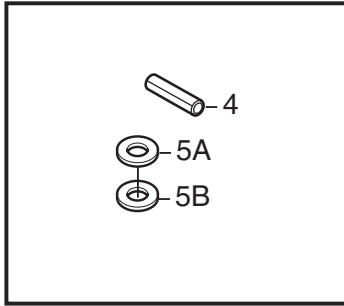
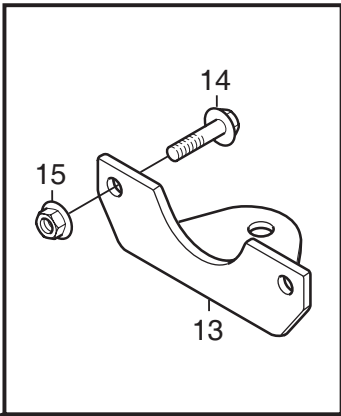
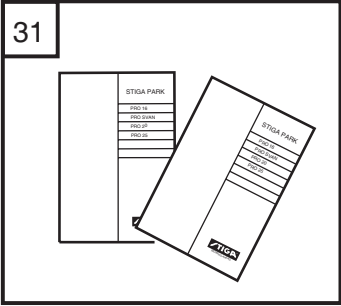
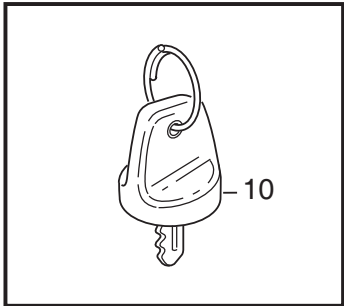
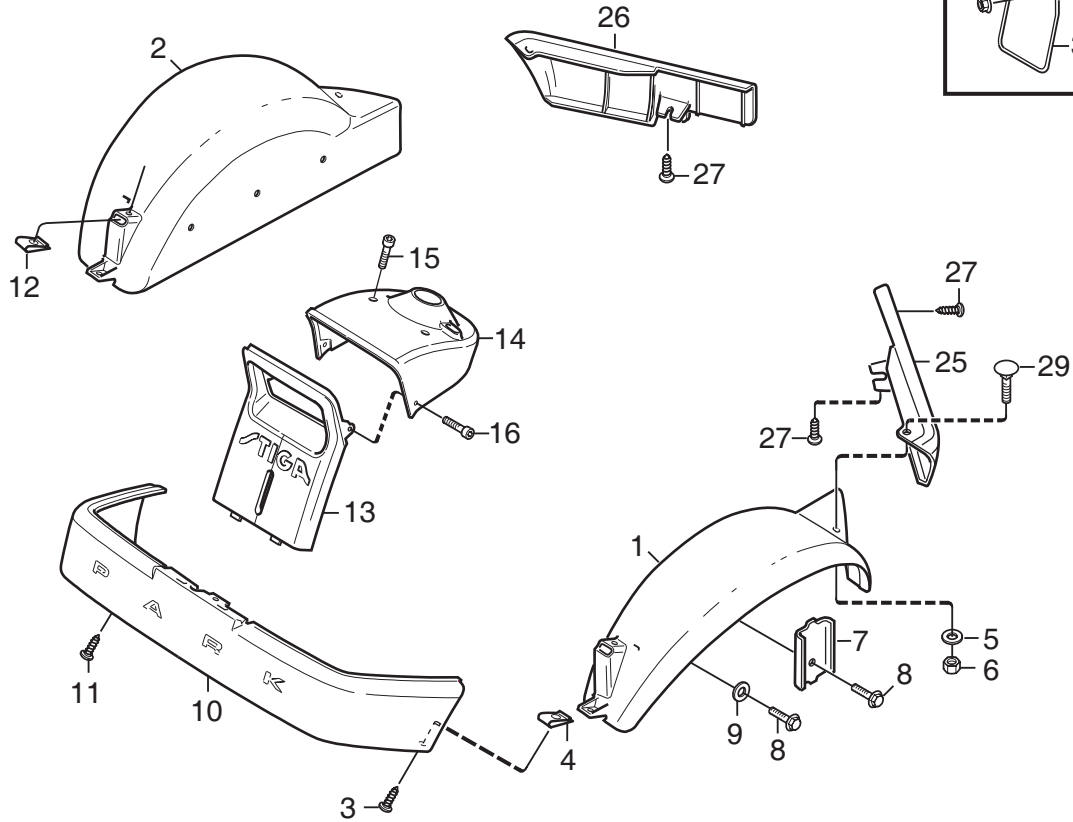
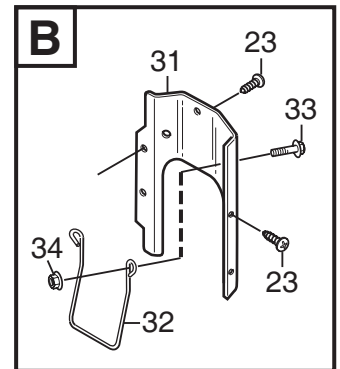
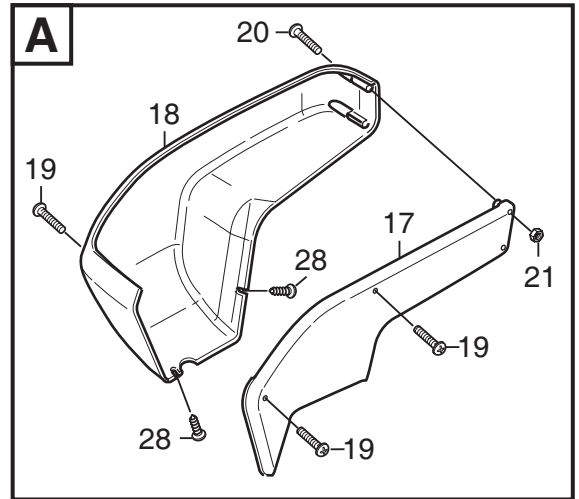
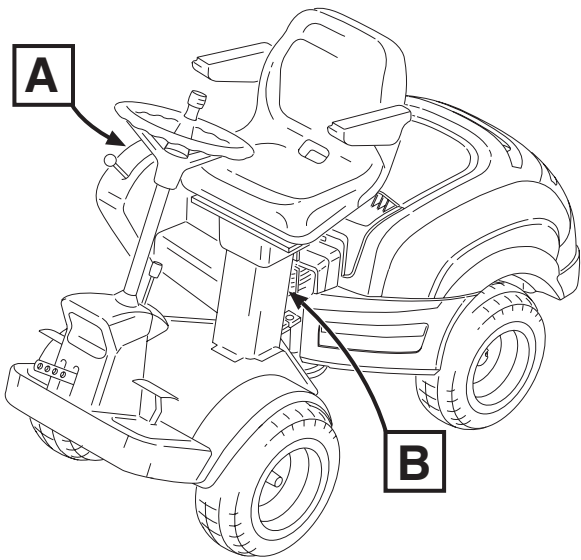


Genuine Spare Parts

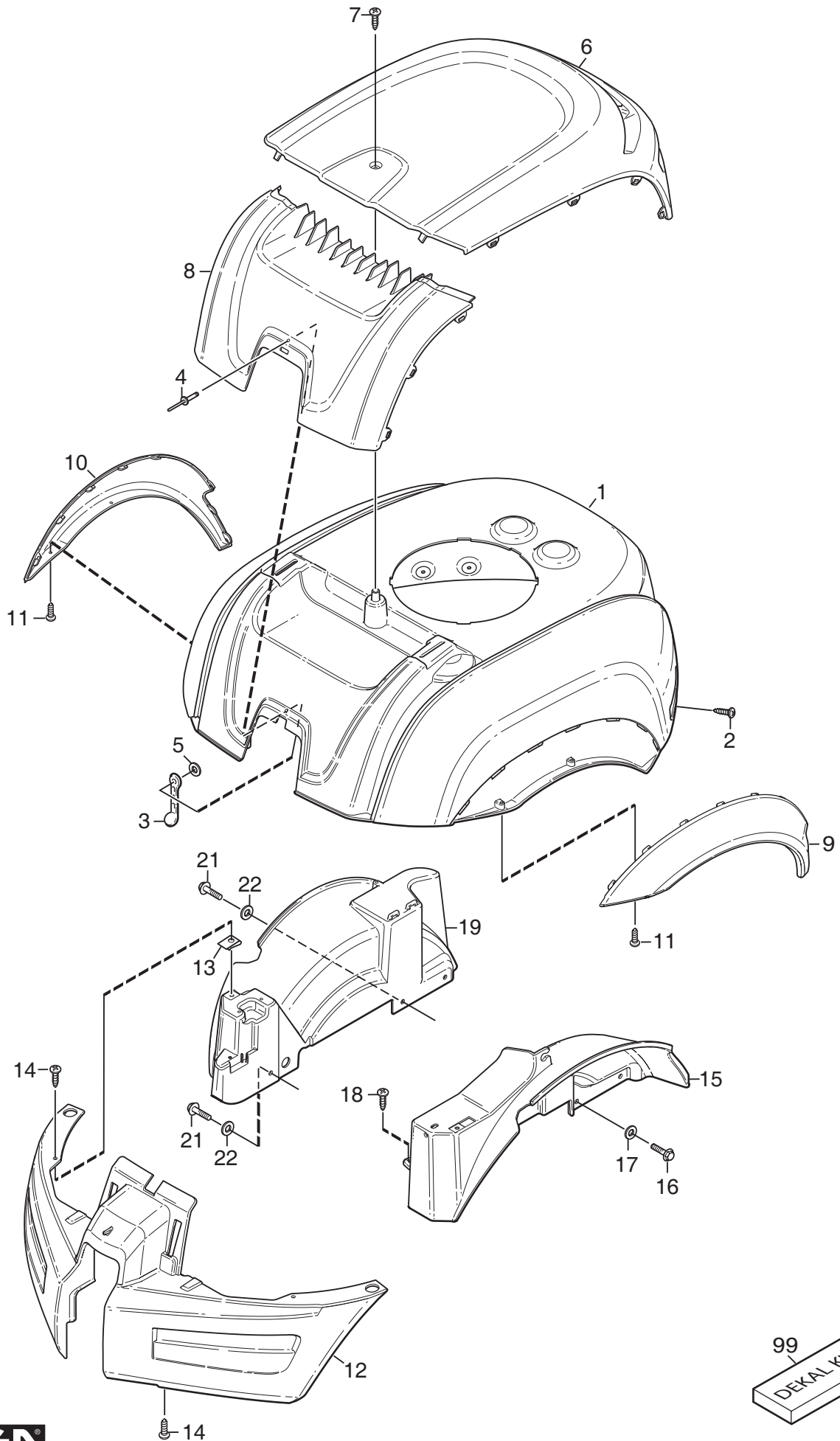




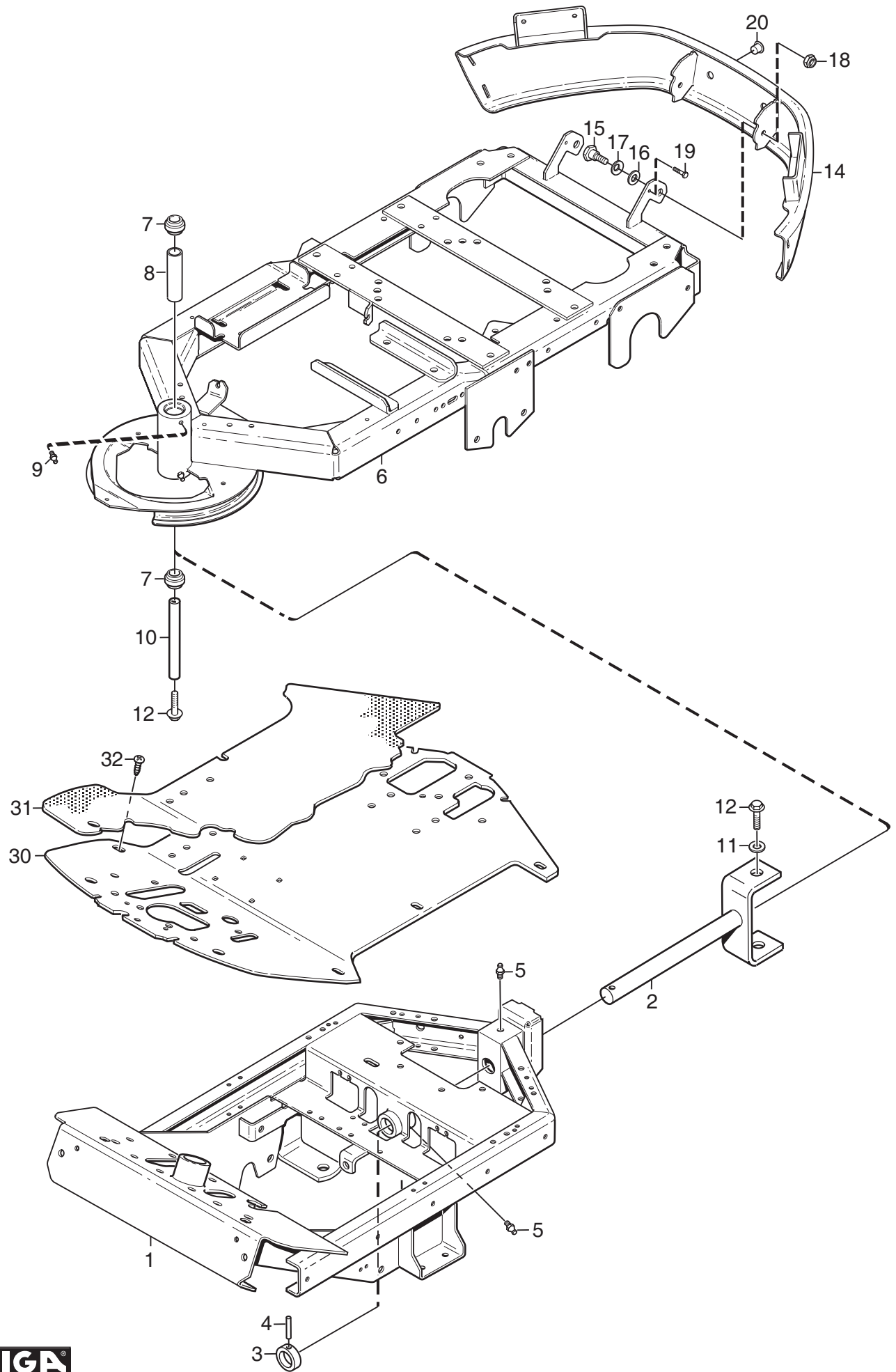
| Utgåva Issue | | Bildnr Picture No | | PARK PRO 4WD MONTERINGSDETALJER | | PARK PRO 4WD ASSEMBLY PARTS | | Sida Page | |
|-----------------|----------------------|----------------------|--|------------------------------------|-----------------------------|--------------------------------|-------------|---------------------|--|
| 2009- 11 | | 1788B | | | | | | 150 | |
| Pos. Fig. | Antal/Quantity | | | Art nr Part No | Benämning | Description | Sats Kit | Anmärkning Notes | |
| | 6241 6244 6246 | 6242 | | | | | | | |
| 4 | 1 | 1 | | 9595-0262-00 | Spännstift | Locating pin | | | |
| 5A | 1 | 1 | | 9699-0103-02 | Shims | Flat washer | | 0.5 mm | |
| 5B | 1 | 1 | | 9699-0114-02 | Shims | Flat washer | | 1.0 mm | |
| 10 | 2 | 2 | | 1134-4734-01 | Tändningsnyckel | Ignition key | | | |
| 13 | 1 | 1 | | 1134-5512-01 | Dragplåt | Towing plate | | | |
| 14 | 2 | 2 | | 9959-0820-16 | Skruv | Screw | | | |
| 15 | 2 | 2 | | 9739-0831-22 | Mutter | Nut | | | |
| 17 | 1 | 1 | | 1134-6113-02 | Batteriskruvar | Battery screws | | | |
| 18 | 2 | 2 | | 9898-1035-16 | Skruv | Screw | | | |
| 19 | 2 | 2 | | 9739-1031-22 | Mutter | Nut | | | |
| 31 | 1 | | | 8211-0005-90 | Bruksanvisning | Owner's manual | | | |
| 31 | | 1 | | 8211-0035-80 | Bruksanvisning | Owner's manual | | | |
| 31 | 1 | | | 8211-0606-90 | Monteringsanvisning | Assy instructions | | | |
| 31 | 1 | | | 8211-0701-91 | Säkerhetsföreskrifter | Safety regulations | | | |
| 31 | 1 | 1 | | 8211-0901-90 | Servicebok | Service book | | | |
| 31 | 1 | 1 | | 8211-0960-90 | Garantikort | Warranty card | | | |



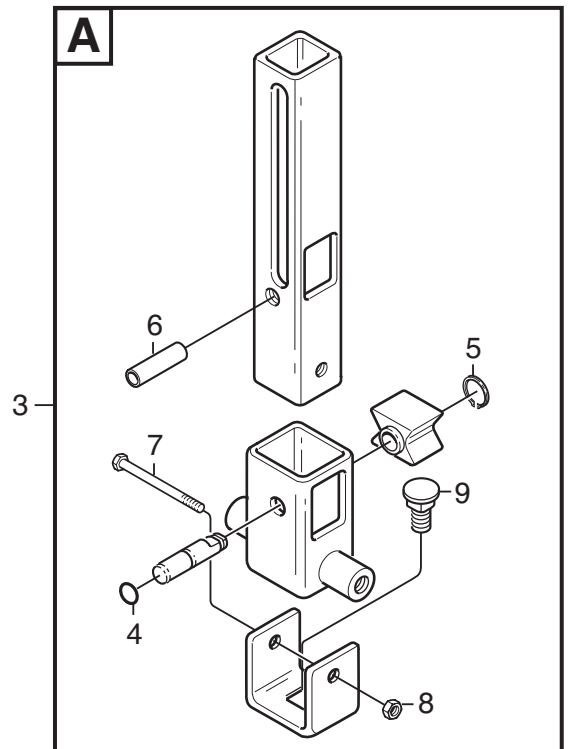
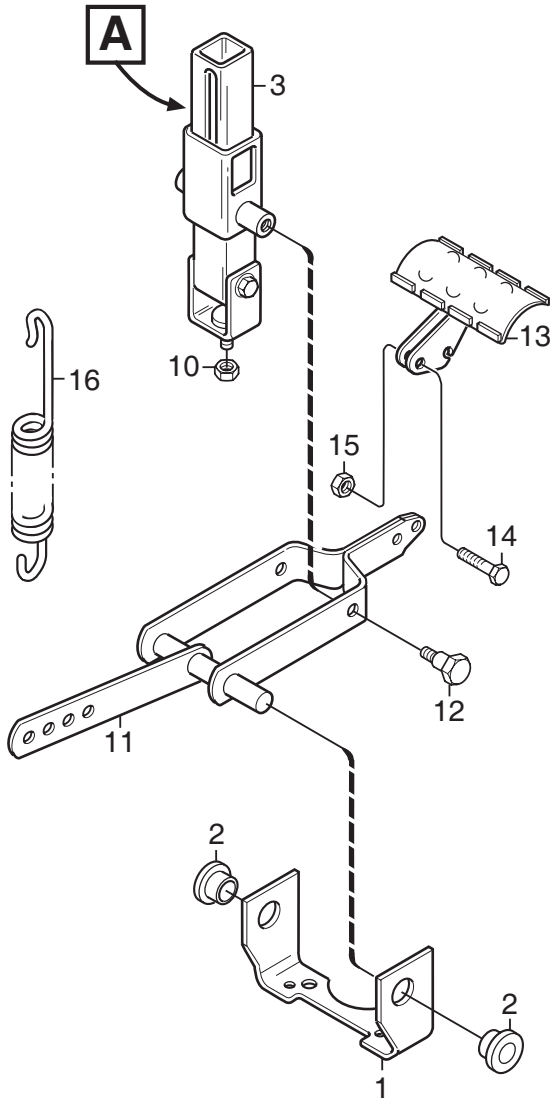
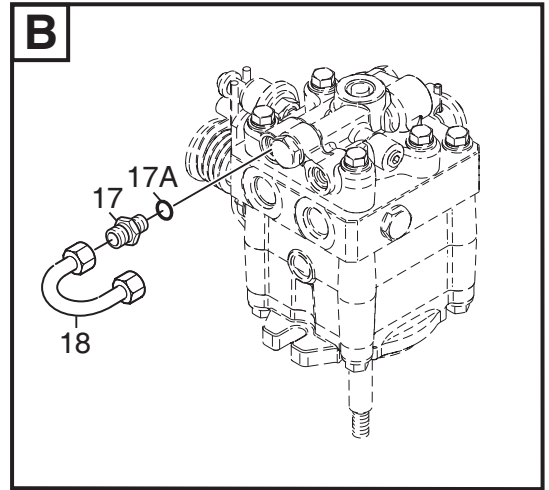
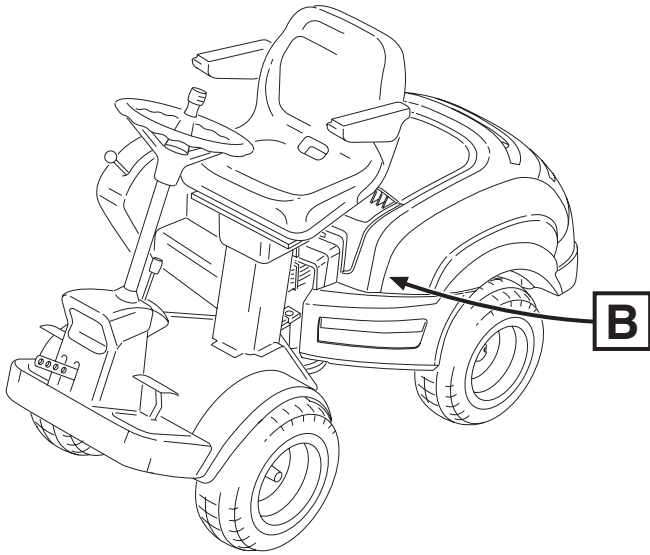
| Utgåva Issue | | Bildnr Picture No | | PARK PRO 4WD KAROSS-FRAM | | PARK PRO 4WD BODY WORK-FRONT | | Sida Page | |
|-----------------|----------------|----------------------|------|-----------------------------|-------------------|---------------------------------|------------------------------|--------------|---------------------|
| 2009- 11 | | 1789B | | | | | | 152 | |
| Pos. Fig. | Antal/Quantity | | | | Art nr Part No | Benämning | Description | Sats Kit | Anmärkning Notes |
| | 6241 | 6242 | 6244 | 6246 | | | | | |
| 1 | 1 | | | | 1134-3943-11 | Skärm- vä, grå | Mud guard- LH, grey | | |
| 2 | 1 | | | | 1134-3943-12 | Skärm- hö, grå | Mud guard- RH, grey | | |
| 3 | 2 | | | | 9893-0616-16 | Skruv | Screw | | |
| 4 | 2 | | | | 1134-4176-01 | Clips | Clips | | |
| 5 | 2 | | | | 9699-0060-02 | Planbricka | Flat washer | | |
| 6 | 2 | | | | 9747-0631-02 | Låsmutter | Lock nut | | |
| 7 | 2 | | | | 1134-0225-00 | Stödplåt | Support plate | | |
| 8 | 6 | | | | 9945-0816-16 | Skruv | Screw | | |
| 9 | 4 | | | | 9699-0056-02 | Planbricka | Flat washer | | |
| 10 | 1 | | | | 1134-4220-02 | Stötfångare- grå | Bumper- grey | | |
| 11 | 6 | | | | 9893-0616-16 | Skruv | Screw | | |
| 12 | 2 | | | | 1134-4176-01 | Clips | Clips | | |
| 13 | 1 | | | | 1134-4216-05 | Frontdekor- gul | Front plate- yellow | | |
| 14 | 1 | | | | 1134-3984-03 | Frontdekor övre- gul | Front plate upper- yel | | |
| 15 | 2 | | | | 9946-0525-16 | Skruv | Screw | | |
| 16 | 2 | | | | 9840-8013-16 | Skruv | Screw | | |
| 17 | 1 | | | | 1134-4360-01 | Kåpa- inre | Cover- inner | | |
| 18 | 1 | | | | 1134-3979-01 | Kåpa- yttre | Cover- outer | | |
| 19 | 3 | | | | 9946-0525-16 | Skruv | Screw | | |
| 20 | 2 | | | | 9950-0570-12 | Skruv | Screw | | |
| 21 | 2 | | | | 9747-0531-02 | Mutter | Nut | | |
| 23 | 4 | | | | 9893-0616-16 | Skruv | Screw | | |
| 25 | 1 | | | | 1134-3970-05 | Kantlist- vä, grå | Moulding- LH, grey | | |
| 26 | 1 | | | | 1134-3970-02 | Kantlist- hö, grå | Moulding- RH, grey | | |
| 27 | 4 | | | | 9893-0616-16 | Skruv | Screw | | |
| 28 | 2 | | | | 9840-8013-16 | Skruv | Screw | | |
| 29 | 2 | | | | 9897-0616-16 | Vagnsbult | Carriage bolt | | |
| 31 | 1 | | | | 1134-6461-01 | Bakstycke | Rear plate | | |
| 32 | 1 | | | | 1134-6460-01 | Skyddsbygel | Protective loop | | |
| 33 | 2 | | | | 9959-0820-16 | Skruv | Screw | | |
| 34 | 2 | | | | 9739-0831-22 | Mutter | Nut | | |



| Utgåva Issue 2009- 11 | | Bildnr Picture No 1790 | | PARK PRO 4WD KAROSS- BAK | | PARK PRO 4WD BODY WORK- REAR | | Sida Page 154 | |
|-----------------------------|----------------|------------------------------|------|-----------------------------|-------------------|---------------------------------|----------------------------|---------------------|---------------------|
| Pos. Fig. | Antal/Quantity | | | | Art nr Part No | Benämning | Description | Sats Kit | Anmärkning Notes |
| | 6241 -25 | 6241 - 15 | 6244 | 6242 6246 | | | | | |
| 1 | 1 | 1 | 1 | 1 | 1134-5634-01 | Motorhuv..... | Engine hood | | |
| 2 | 4 | 4 | 4 | 4 | 9893-0616-16 | Skruv | Screw | | |
| 3 | 1 | 1 | 1 | 1 | 1134-9028-01 | Gummistropp- sats..... | Rubber strap kit | | Sats 3 st/kit if 3 |
| 4 | 1 | 1 | 1 | 1 | 9632-0513-00 | Popnit | Pop rivet | | |
| 5 | 1 | 1 | 1 | 1 | 9699-0120-02 | Bricka | Washer | | |
| 6 | 1 | 1 | 1 | 1 | 1134-5636-01 | Motorlucka | Engine cover | | |
| 7 | 1 | 1 | 1 | 1 | 9838-9516-12 | Skruv | Screw | | |
| 8 | 1 | 1 | 1 | 1 | 1134-5635-01 | Frontlucka..... | Engine front cover..... | | |
| 9 | 1 | 1 | 1 | 1 | 1134-5638-01 | Skärmbreddare- vä | Wheel arch liner- LH..... | | |
| 10 | 1 | 1 | 1 | 1 | 1134-5638-02 | Skärmbreddare- hö..... | Wheel arch liner- RH | | |
| 11 | 4 | 4 | 4 | 4 | 9838-9516-12 | Skruv | Screw | | |
| 12 | 1 | 1 | 1 | 1 | 1134-5637-01 | Spoiler | Spoiler | | |
| 13 | 2 | 2 | 2 | 2 | 1134-4176-01 | Clips | Clips | | |
| 14 | 4 | 4 | 4 | 4 | 9893-0616-16 | Skruv | Screw | | |
| 15 | 1 | 1 | 1 | 1 | 1134-5647-01 | Innerskärm- vä..... | Inner fender- LH..... | | |
| 16 | 3 | 3 | 3 | 3 | 9945-0816-16 | Skruv | Screw | | |
| 17 | 3 | 3 | 3 | 3 | 9699-0056-02 | Planbricka..... | Flat washer..... | | |
| 18 | 1 | 1 | 1 | 1 | 9893-0616-16 | Skruv | Screw | | |
| 19 | 1 | 1 | 1 | 1 | 1134-5647-02 | Innerskärm- hö | Inner fender- RH | | |
| 21 | 3 | 3 | 3 | 3 | 9945-0816-16 | Skruv | Screw | | |
| 22 | 3 | 3 | 3 | 3 | 9699-0056-02 | Planbricka..... | Flat washer..... | | |
| 99 | | 1 | | | 1134-4593-11 | Dekalsats | Label kit | | Pro 16 |
| 99 | | | 1 | | 1134-4593-12 | Dekalsats | Label kit | | Pro 20 |
| 99 | | | | 1 | 1134-4593-13 | Dekalsats | Label kit | | Pro 25 |
| 99 | 1 | | | | 1134-4593-14 | Dekalsats | Label kit | | Pro Svan |

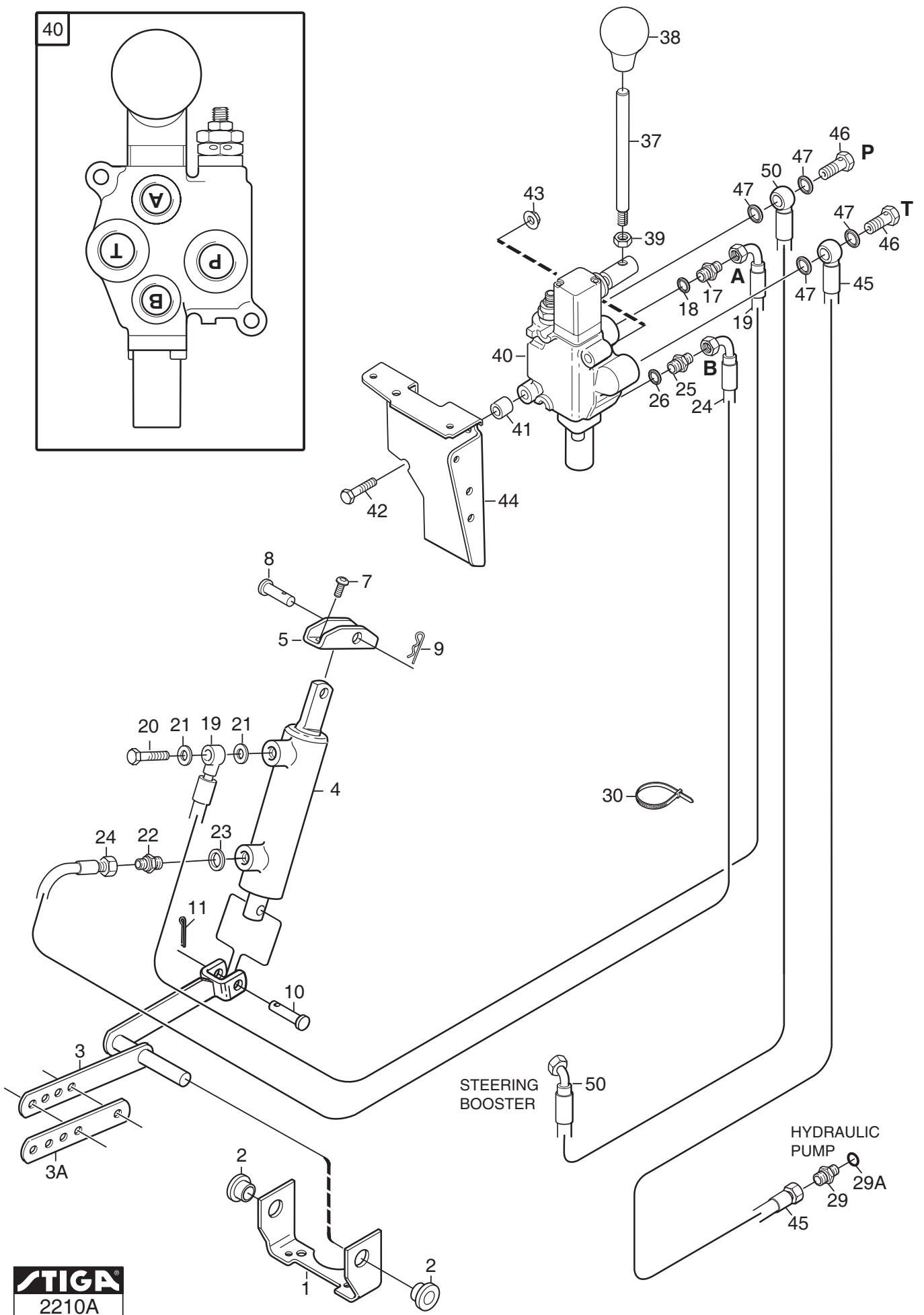
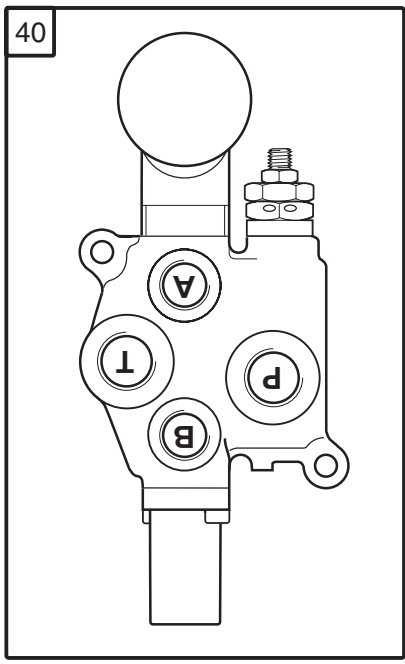


| Utgåva Issue | | Bildnr Picture No | | PARK PRO 4WD RAM | | PARK PRO 4WD FRAME | | Sida Page | |
|-----------------|----------------|----------------------|------|---------------------|-------------------|-----------------------|--------------------------|--------------|---------------------|
| 2009- 11 | | 1791A | | | | | | 156 | |
| Pos. Fig. | Antal/Quantity | | | | Art nr Part No | Benämning | Description | Sats Kit | Anmärkning Notes |
| | 6241 | 6242 | 6244 | 6246 | | | | | |
| 1 | 1 | | | | 1134-5656-02 | Ram- främre | Frame- front | | |
| 2 | 1 | | | | 1134-3963-02 | • Midjegaffel | • Clevis | | |
| 3 | 1 | | | | 1134-0031-00 | • Ledaxelstopp | • Pivot shaft stop | | |
| 4 | 1 | | | | 9595-0262-00 | • Spännstift | • Locating pin | | |
| 5 | 2 | | | | 9501-0500-00 | • Smörjnippel | • Grease joint | | |
| 6 | 1 | | | | 1134-5953-01 | Ram- bakre | Frame- rear | | |
| 7 | 2 | | | | 9547-0001-00 | • Ledlager | • Bearing | | |
| 8 | 1 | | | | 1134-5705-01 | • Distans | • Spacer | | |
| 9 | 2 | | | | 9501-0500-00 | • Smörjnippel | • Grease joint | | |
| 10 | 1 | | | | 1134-5988-01 | Centrumaxel | Centre shaft | | |
| 11 | 1 | | | | 9699-0035-02 | Planbricka | Flat washer | | |
| 12 | 2 | | | | 9959-1025-16 | Skruv | Screw | | |
| 14 | 1 | | | | 1134-5676-01 | Stötfångare | Bumper | | |
| 15 | 2 | | | | 1134-0240-00 | Ansatsskruv | Shoulder screw | | |
| 16 | 2 | | | | 1134-4242-01 | Distansbricka | Spacer washer | | |
| 17 | 2 | | | | 9665-0002-00 | Brickfjäder | Bowed washer | | |
| 18 | 2 | | | | 9747-0831-02 | Mutter | Lock nut | | |
| 19 | 2 | | | | 9943-0516-16 | Skruv | Screw | | |
| 20 | 2 | | | | 1134-4100-01 | Täckpropp | Plug | | |
| 30 | 1 | | | | 1134-6586-01 | Durk | Floor plate | | |
| 31 | 1 | | | | 1134-6372-04 | Durkmatta | Floor mat | | |
| 32 | 2 | | | | 9893-0616-16 | Skruv | Screw | | |

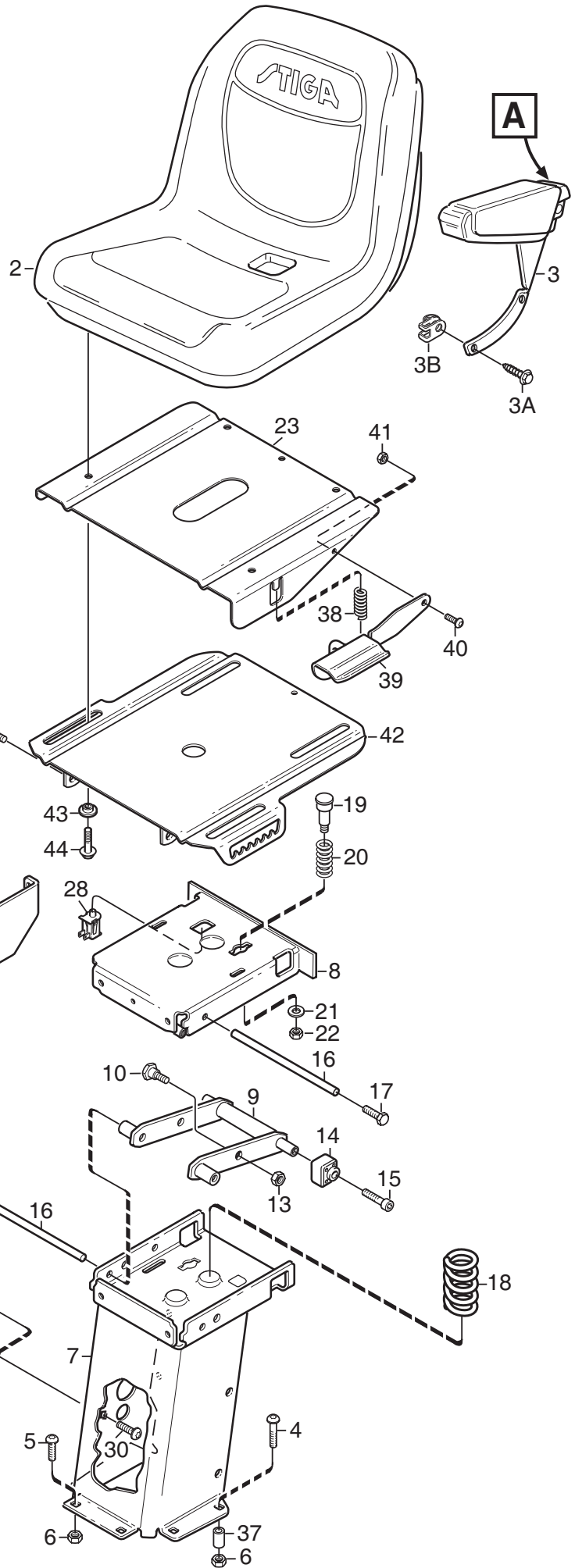
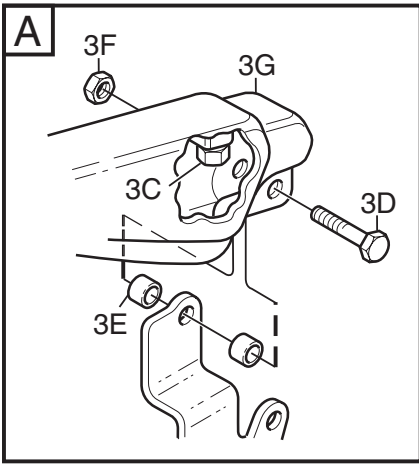


| Utgåva Issue 2009- 11 | | Bildnr Picture No 1792 | | PARK PRO 4WD PRO 16- PRO BIVOJ 25 PEDALLYFT | | PARK PRO 4WD PRO 16- PRO BIVOJ 25 PEDAL LIFT | | Sida Page 158 | |
|-----------------------------|---------------------|------------------------------|--|---|--------------------------------------|--|-------------|---------------------|---------------------|
| Pos. Fig. | Antal/Quantity | | | | Art nr Part No | Benämning | Description | Sats Kit | Anmärkning Notes |
| | 6241 -15 6242 | | | | | | | | |
| 1 | 1 | | | | 1134-4117-01 Fäste | Bracket | | | |
| 2 | 2 | | | | 1134-2684-01 Lager | Bearing | | | |
| 3 | 1 | | | | 1134-4945-01 Lyftspärr kpl | Lift catch assy | | | |
| 4 | 1 | | | | 9404-0027-01 • O- ring | • O- ring | | | |
| 5 | 1 | | | | 9650-0039-04 • Seegersäkring | • Lock ring | | | |
| 6 | 1 | | | | 9595-0276-01 • Spännstift | • Locating pin | | | |
| 7 | 1 | | | | 9997-0640-12 • Skruv | • Screw | | | |
| 8 | 1 | | | | 9747-0631-02 • Låsmutter | • Lock nut | | | |
| 9 | 1 | | | | 9897-0820-16 • Skruv | • Screw | | | |
| 10 | 1 | | | | 9747-0831-02 Mutter | Lock nut | | | |
| 11 | 1 | | | | 1134-4860-01 Lyftgaffel | Lift fork | | | |
| 12 | 2 | | | | 1134-0240-00 Ansatsskruv | Shoulder screw | | | |
| 13 | 1 | | | | 1134-4938-01 Lyftpedal | Lift pedal | | | |
| 14 | 2 | | | | 9997-0625-16 Skruv | Screw | | | |
| 15 | 2 | | | | 9739-0631-22 Mutter | Nut | | | |
| 16 | 1 | | | | 4231-0013-00 Fjäder | Spring | | | |
| 17 | 2 | | | | 1134-5820-01 Skärringskoppling | Hydraulic coupling | | | |
| 17A | 1 | | | | 9404-0028-01 • O- ring | • O- ring | | | |
| 18 | 1 | | | | 1134-5817-01 Hydraulrör | Hydraulic tube | | | |

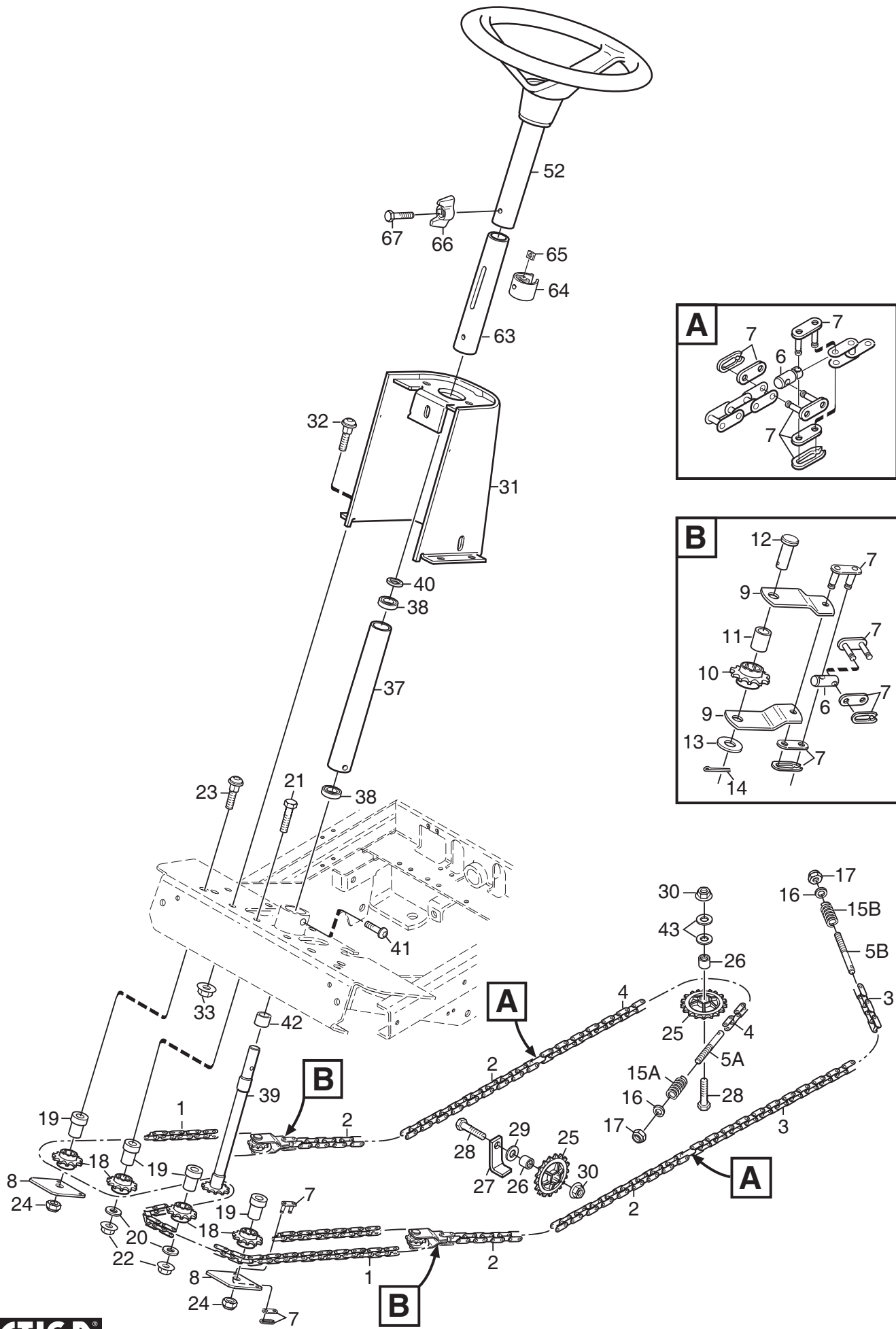
40



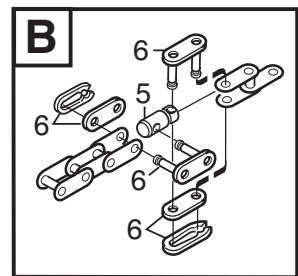
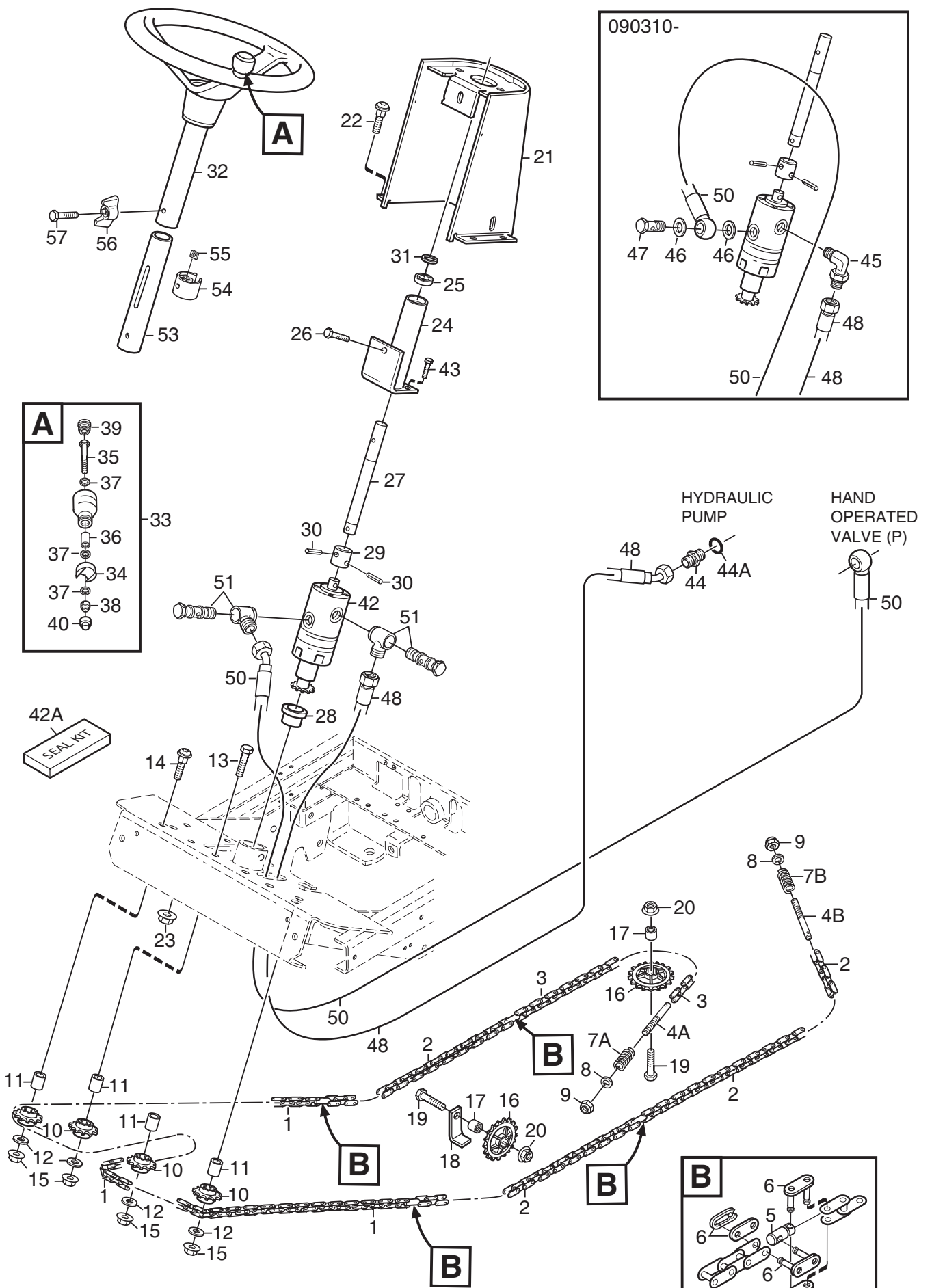
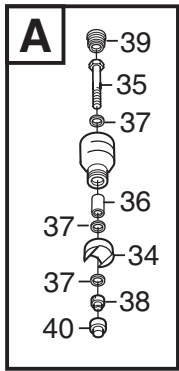
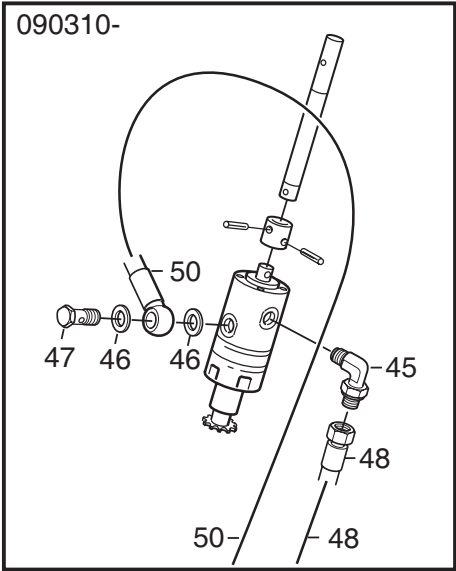
| Utgåva Issue 2009- 11 | | Bildnr Picture No 2210A | | PARK PRO 4WD SVAN- PRO 20- PRO 25 HYDRAULLYFT | | PARK PRO 4WD SVAN- PRO 20- PRO 25 HYDRAULIC LIFT | | Sida Page 160 | |
|-----------------------------|-----------------------------|-------------------------------|--|---|-------------------|--|----------------------------|---------------------|---------------------|
| Pos. Fig. | Antal/Quantity | | | | Art nr Part No | Benämning | Description | Sats Kit | Anmärkning Notes |
| | 6241 -25 6244 6246 | | | | | | | | |
| 1 | 1 | | | | 1134-4117-01 | Fäste | Bracket | | Tillbehör/Accessory |
| 2 | 2 | | | | 1134-2684-01 | Lager | Bearing | | |
| 3 | 1 | | | | 1134-6457-01 | Lyftarm | Lift lever | | |
| 3A | 1 | | | | 1134-6245-01 | Lyftarm | Lift lever | | |
| 4 | 1 | | | | 1134-5596-01 | Hydraulcylinder | Hydraulic cylinder | | |
| 5 | 1 | | | | 1134-4815-01 | Cylinderfäste | Cylinder bracket | | |
| 7 | 2 | | | | 9893-0616-16 | Skruv | Screw | | |
| 8 | 1 | | | | 1134-4816-01 | Sprint | Pin | | |
| 9 | 1 | | | | 9598-0002-02 | Låsnål | Pin lock | | |
| 10 | 1 | | | | 1134-4817-01 | Kolvstångssprint | Pin | | |
| 11 | 1 | | | | 9599-0054-02 | Saxpinne | Cotter pin | | |
| 17 | 1 | | | | 1134-4824-01 | Adapter | Adapter | 1/4" x 1/8" | |
| 18 | 1 | | | | 1134-4948-01 | Tredobricka | Seal washer | 1/4" | |
| 19 | 1 | | | | 1134-6299-01 | Hydraulslang | Hydraulic tube | | |
| 20 | 1 | | | | 1134-4826-01 | Banjoskruv | Banjo bolt | 1/8" | |
| 21 | 2 | | | | 1134-4947-01 | Kopparbricka | Copper washer | | |
| 22 | 1 | | | | 1134-4825-01 | Adapter | Adapter | 1/8" x 1/8" | |
| 23 | 1 | | | | 1134-4947-01 | Kopparbricka | Copper washer | | |
| 24 | 1 | | | | 1134-6298-01 | Hydraulslang | Hydraulic tube | | |
| 25 | 1 | | | | 1134-4824-01 | Adapter | Adapter | 1/4" x 1/8" | |
| 26 | 1 | | | | 1134-4948-01 | Tredobricka | Seal washer | 1/4" | |
| 29 | 1 | | | | 1134-4282-01 | Hydraulnippel | Hydraulic nipple | 9/16" x 9/16" | |
| 29A | 1 | | | | 9404-0028-01 | • O-ring | • O-ring | | |
| 30 | 4 | | | | 9579-0003-00 | Buntband | Cable holder | | |
| 37 | 1 | | | | 1134-6345-01 | Spak | Lever | | |
| 38 | 1 | | | | 1134-2551-01 | Reglageknopp | Knob | | |
| 39 | 1 | | | | 9739-0831-22 | Mutter | Nut | | |
| 40 | 1 | | | | 1134-7743-01 | Handspaksventil | Hand operated valve | | |
| 41 | 2 | | | | 1134-6364-01 | Distans | Spacer | | |
| 42 | 2 | | | | 9997-0645-12 | Skruv | Screw | | |
| 43 | 2 | | | | 9739-0631-22 | Mutter | Nut | | |
| 44 | 1 | | | | 1134-6328-01 | Frontfäste | Panel bracket- front | | |
| 45 | 1 | | | | 1134-6296-01 | Hydraulslang | Hydraulic tube | | |
| 46 | 2 | | | | 1134-6323-01 | Banjobult | Banjo bolt | | |
| 47 | 4 | | | | 1134-4948-02 | Tredobricka | Tredo washer | | |
| 50 | 1 | | | | 1134-6295-01 | Hydraulslang | Hydraulic tube | | |



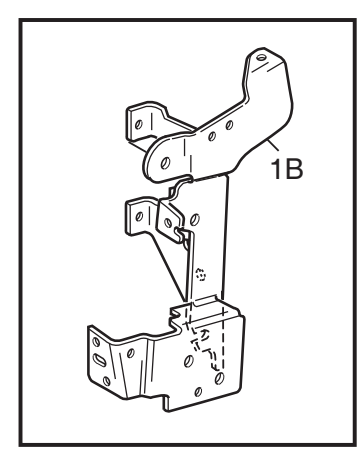
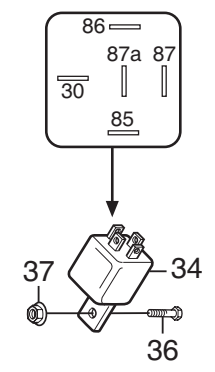
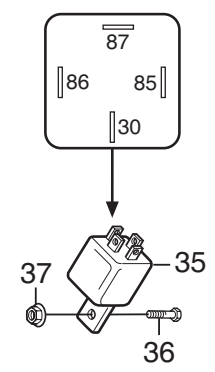
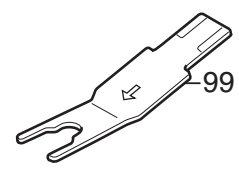
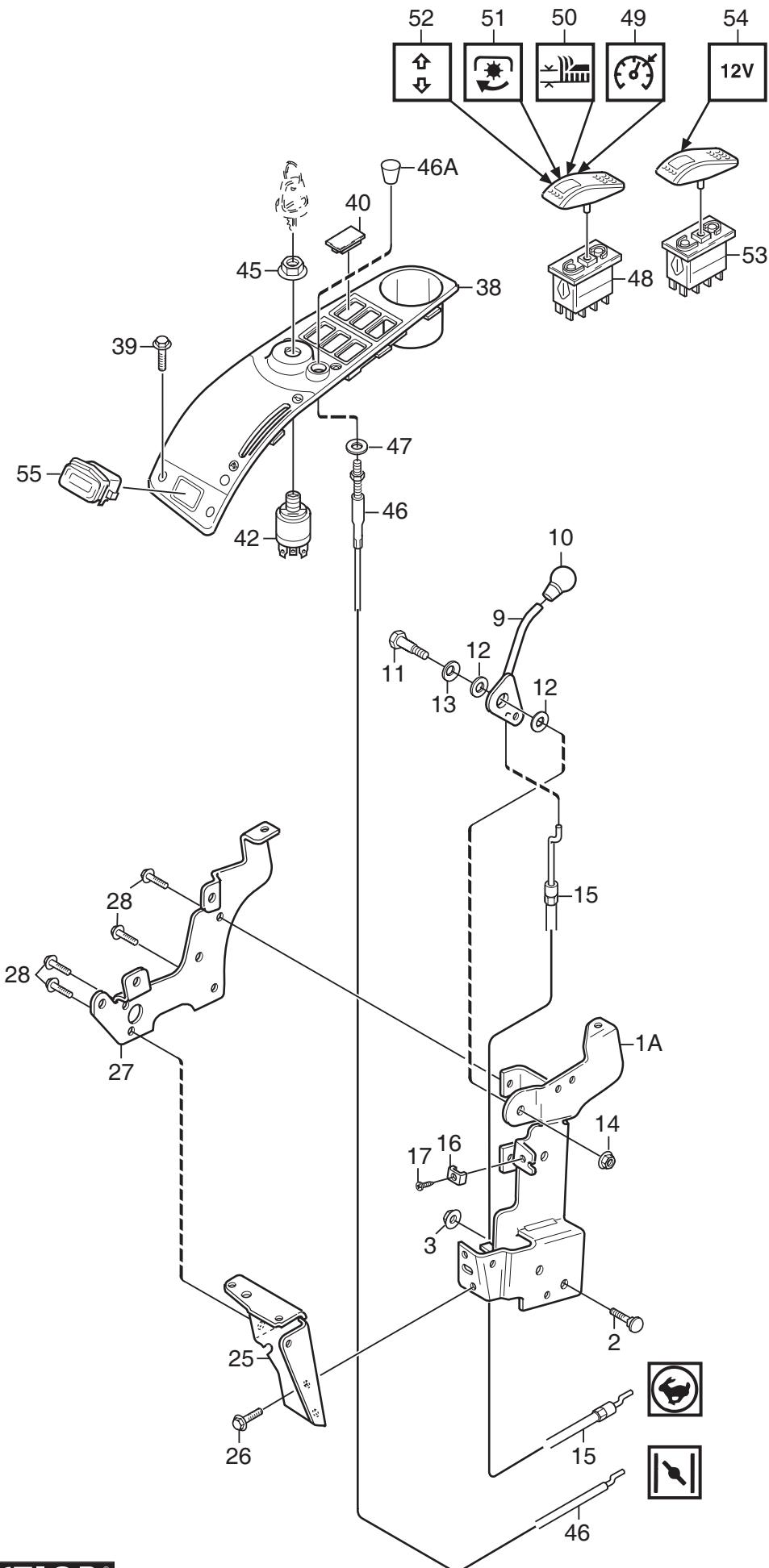
| Utgåva Issue | | Bildnr Picture No | | PARK PRO 4WD SITS | | PARK PRO 4WD SEAT | | Sida Page | |
|-----------------|---------------------|-----------------------------|--|----------------------|-------------------------|-----------------------------|-------------|---------------------|--|
| 2009- 11 | | 2032B | | | | | | 162 | |
| Pos. Fig. | Antal/Quantity | | | Art nr Part No | Benämning | Description | Sats Kit | Anmärkning Notes | |
| | 6241 -15 6242 | 6241 -25 6244 6246 | | | | | | | |
| 2 | 1 | 1 | | 1134-7830-01 | Sits | Seat..... | | | |
| 3 | | 1 | | 1134-7831-01 | Armstöd kpl..... | Arm rests assy..... | | | |
| 3A | | 6 | | 1139-0010-01 | • Skruv | • Tap screw..... | | | |
| 3B | | 6 | | 1139-0011-01 | • Mutter..... | • Speed nut..... | | | |
| 3C | | 2 | | 9988-3713-16 | • Skruv | • Screw | | | |
| 3D | | 2 | | 9997-1045-12 | • Skruv | • Screw | | | |
| 3E | | 4 | | 1134-5094-01 | • Distans | • Spacer..... | | | |
| 3F | | 2 | | 9747-1031-02 | • Mutter..... | • Nut | | | |
| 3G | | 2 | | 1134-5879-01 | • Armstödsdyna | • Arm rest pad | | | |
| 4 | 2 | 2 | | 9897-0880-12 | Skruv..... | Screw..... | | L = 80 mm | |
| 5 | 4 | 4 | | 9897-0820-16 | Skruv..... | Screw..... | | L = 20 mm | |
| 6 | 6 | 6 | | 9747-0831-02 | Mutter..... | Lock nut..... | | | |
| 7 | 1 | 1 | | 1134-5695-02 | Sitskonsol..... | Seat bracket | | | |
| 8 | 1 | 1 | | 1134-6080-01 | Platta- övre | Plate- upper | | | |
| 9 | 2 | 2 | | 1134-6076-01 | Länkarm | Pivot link | | | |
| 10 | 2 | 2 | | 1134-0240-00 | Ansatssskruv..... | Shoulder screw..... | | | |
| 13 | 2 | 2 | | 9747-0831-02 | Mutter..... | Lock nut..... | | | |
| 14 | 4 | 4 | | 1134-4084-01 | Glidsko | Slide block | | | |
| 15 | 4 | 4 | | 9939-0816-16 | Skruv..... | Screw..... | | | |
| 16 | 2 | 2 | | 1134-4082-03 | Axel | Shaft | | | |
| 17 | 4 | 4 | | 9959-0820-16 | Skruv | Screw..... | | | |
| 18 | 2 | 2 | | 1134-4160-01 | Fjäder..... | Seat spring..... | | | |
| 19 | 1 | 1 | | 1134-4153-01 | Tryckpinne..... | Push pin..... | | | |
| 20 | 1 | 1 | | 1134-4159-01 | Fjäder..... | Spring | | | |
| 21 | 1 | 1 | | 9699-0056-02 | Planbricka..... | Flat washer..... | | | |
| 22 | 1 | 1 | | 9747-0831-02 | Mutter..... | Lock nut..... | | | |
| 23 | 1 | 1 | | 1134-6090-01 | Glidplatta | Slide plate | | | |
| 24 | 2 | 2 | | 1134-0240-00 | Ansatssskruv..... | Shoulder screw..... | | | |
| 26 | 1 | 1 | | 1134-6121-01 | Svep | Cover | | | |
| 27 | 3 | 3 | | 9852-8013-16 | Skruv | Screw..... | | | |
| 28 | 1 | 1 | | 1134-3156-01 | Brytare (svart) | Switch (black)..... | | | |
| 29 | 1 | 1 | | 1134-3990-01 | Armsvep | Attachment- side panel..... | | | |
| 30 | 2 | 2 | | 9897-0820-16 | Skruv | Screw..... | | | |
| 31 | 2 | 2 | | 9739-0831-22 | Mutter..... | Nut | | | |
| 32 | 1 | 1 | | 1134-4130-01 | Lock- undre | Cover- lower..... | | | |
| 33 | 4 | 4 | | 9840-8013-16 | Skruv | Screw..... | | | |
| 34 | 1 | 1 | | 1134-4135-01 | Relåhållare..... | Relay holder..... | | | |
| 35 | 2 | 2 | | 9632-0522-00 | Popnit | Pop rivet | | | |
| 36 | 1 | 1 | | 9699-0087-02 | Planbricka..... | Flat washer..... | | | |
| 37 | 2 | 2 | | 1134-1565-08 | Distans | Spacer..... | | | |
| 38 | 1 | 1 | | 1134-3262-01 | Tryckfjäder..... | Compression spring..... | | | |
| 39 | 1 | 1 | | 1134-6073-01 | Handtag | Handle..... | | | |
| 40 | 1 | 1 | | 9893-0616-16 | Skruv | Screw..... | | | |
| 41 | 1 | 1 | | 9747-0631-02 | Låsmutter | Lock nut..... | | | |
| 42 | 1 | 1 | | 1134-6071-01 | Glidplatta- undre | Slide plate- lower..... | | | |
| 43 | 4 | 4 | | 1134-6078-01 | Ansatsbricka | Flange washer..... | | | |
| 44 | 4 | 4 | | 9959-0820-16 | Skruv | Screw..... | | | |



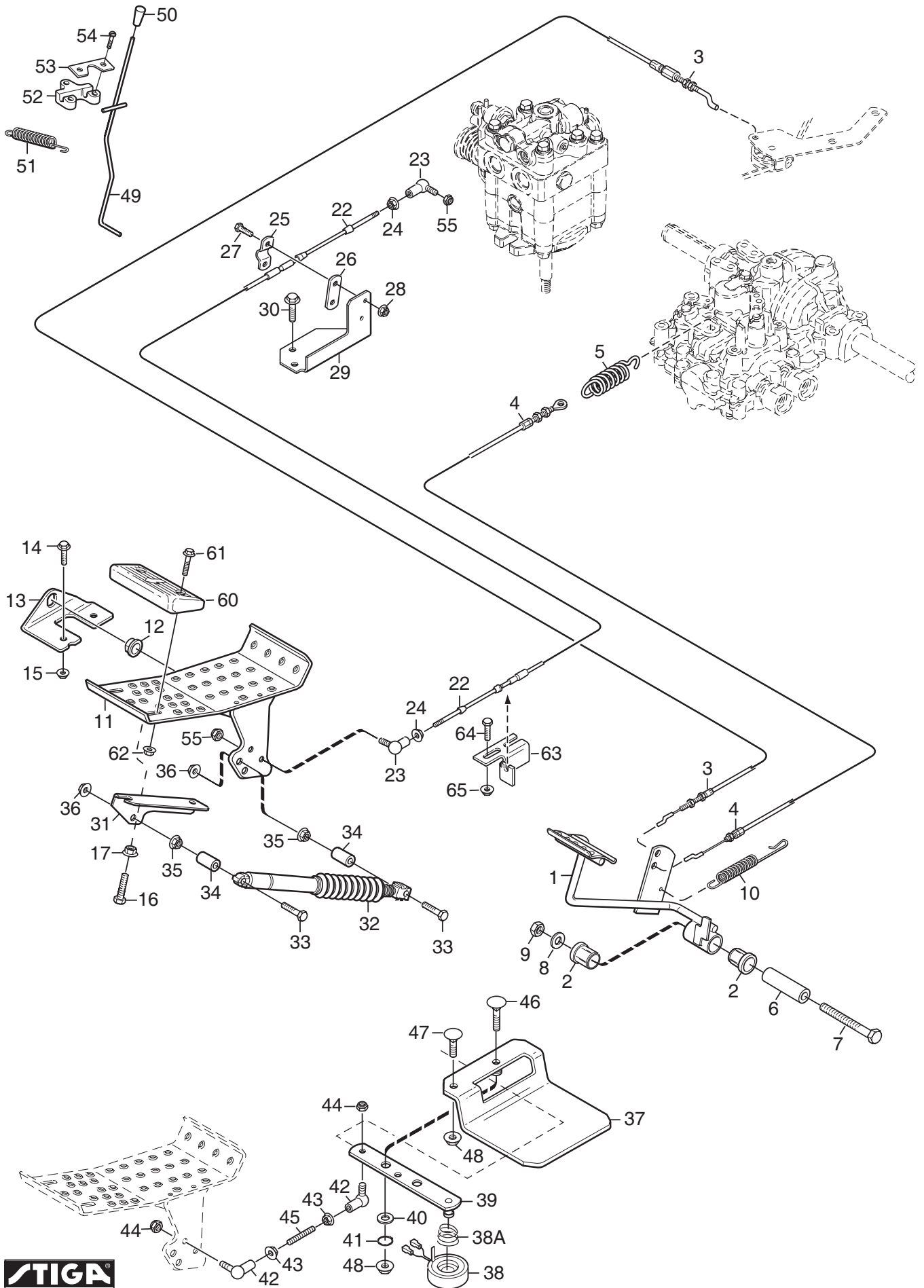
| Utgåva Issue 2009- 11 | | Bildnr Picture No 1796A | | PARK PRO 4WD PRO 16- PRO BIVOJ 25 STYRNING | | PARK PRO 4WD PRO 16- PRO BIVOJ 25 STEERING | | Sida Page 164 | |
|-----------------------------|---------------------|-------------------------------|--|--|-------------------|--|------------------------------|---------------------|---------------------|
| Pos. Fig. | Antal/Quantity | | | | Art nr Part No | Benämning | Description | Sats Kit | Anmärkning Notes |
| | 6241 -15 6242 | | | | | | | | |
| 1 | 1 | | | | 1134-6374-10 | Kedja | Chain..... | | 129 länk |
| 2 | 2 | | | | 1134-6374-09 | Kedja | Chain..... | | 35 länk |
| 3 | 1 | | | | 1134-6374-02 | Kedja | Chain..... | | 41 länk |
| 4 | 1 | | | | 1134-6374-05 | Kedja | Chain..... | | 47 länk |
| 5A | 1 | | | | 1134-3550-01 | Ändnippel | End nipple..... | | L = 110 mm |
| 5B | 1 | | | | 1134-3550-02 | Ändnippel | End nipple..... | | L = 90 mm |
| 6 | 4 | | | | 1134-3565-01 | Skarvnippel..... | Connection nipple..... | | |
| 7 | 12 | | | | 1134-2824-02 | Kedjelås | Chain lock | | |
| 8 | 2 | | | | 1134-5652-01 | Fäste | Attachment..... | | |
| 9 | 4 | | | | 1134-5651-01 | Bygel | Bracket..... | | |
| 10 | 2 | | | | 1134-2816-01 | Kedjehjul..... | Sprocket..... | | |
| 11 | 2 | | | | 1134-0041-02 | Linhjulshylsa | Idler wheel bush..... | | |
| 12 | 2 | | | | 1134-4817-01 | Kolvstångssprint..... | Pin | | |
| 13 | 2 | | | | 9699-0035-02 | Planbricka..... | Flat washer..... | | |
| 14 | 2 | | | | 9599-0054-02 | Saxpinne..... | Cotter pin | | |
| 15A | 1 | | | | 1134-3817-01 | Tryckfjäder..... | Compression spring..... | | L = 58 mm |
| 15B | 1 | | | | 1134-3817-02 | Tryckfjäder..... | Compression spring..... | | L = 33 mm |
| 16 | 2 | | | | 9699-0090-02 | Planbricka..... | Flat washer..... | | |
| 17 | 2 | | | | 9747-0831-02 | Mutter..... | Lock nut | | |
| 18 | 4 | | | | 1134-2816-01 | Kedjehjul..... | Sprocket..... | | |
| 19 | 4 | | | | 1134-5653-01 | Distans | Spacer..... | | |
| 20 | 2 | | | | 9699-0035-02 | Planbricka..... | Flat washer..... | | |
| 21 | 2 | | | | 9997-1060-12 | Skruv | Screw..... | | |
| 22 | 2 | | | | 9739-1031-22 | Mutter..... | Nut | | |
| 23 | 2 | | | | 9897-1060-12 | Skruv | Screw..... | | |
| 24 | 2 | | | | 9731-1031-22 | Mutter..... | Nut | | |
| 25 | 3 | | | | 1134-3547-01 | Kedjehjul..... | Sprocket..... | | |
| 26 | 3 | | | | 1134-0041-01 | Linhjulshylsa | Bushing..... | | |
| 27 | 2 | | | | 1134-0046-00 | Linhållare..... | Wire clamp..... | | |
| 28 | 3 | | | | 9997-1040-16 | Skruv | Screw..... | | |
| 29 | 2 | | | | 9699-0035-02 | Planbricka..... | Flat washer..... | | |
| 30 | 3 | | | | 9739-1031-22 | Mutter..... | Nut | | |
| 31 | 1 | | | | 1134-4120-04 | Styrkonsol | Steering console | | |
| 32 | 4 | | | | 9897-0820-16 | Skruv | Screw..... | | |
| 33 | 4 | | | | 9739-0831-22 | Mutter..... | Nut | | |
| 37 | 1 | | | | 1134-3085-01 | Rattrör- nedre | Steering column- lower | | |
| 38 | 2 | | | | 9549-0017-00 | Kullager | Ball bearing | | |
| 39 | 1 | | | | 1134-5691-01 | Rattstång | Steering rod | | |
| 40 | 1 | | | | 9695-0011-00 | Bricka | Washer..... | | |
| 41 | 2 | | | | 9893-0616-16 | Skruv | Screw..... | | |
| 42 | 1 | | | | 1134-2837-03 | Distans | Spacer..... | | |
| 43 | 2 | | | | 9699-0035-02 | Planbricka..... | Flat washer..... | | |
| 52 | 1 | | | | 1134-5173-01 | Ratt..... | Steering wheel | | |
| 63 | 1 | | | | 1134-5216-01 | Rattrör- inre kpl | Steering tube- inner..... | | |
| 64 | 1 | | | | 1134-5177-01 | • Slid | • Slide..... | | |
| 65 | 1 | | | | 9710-0631-12 | • Fyrkantmutter | • Square nut | | |
| 66 | 1 | | | | 1134-4481-02 | Vingmutter..... | Wing nut | | |
| 67 | 1 | | | | 9997-0630-12 | Skruv | Screw..... | | |



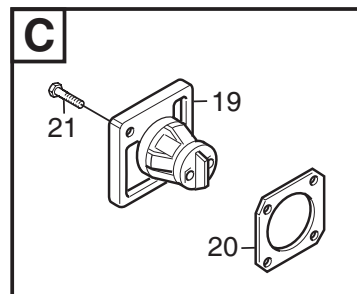
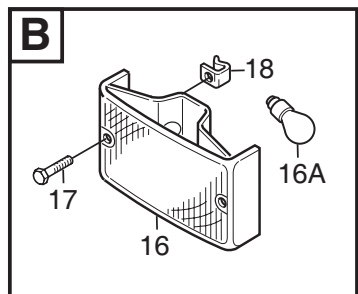
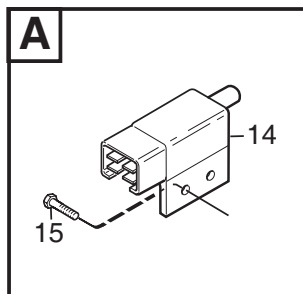
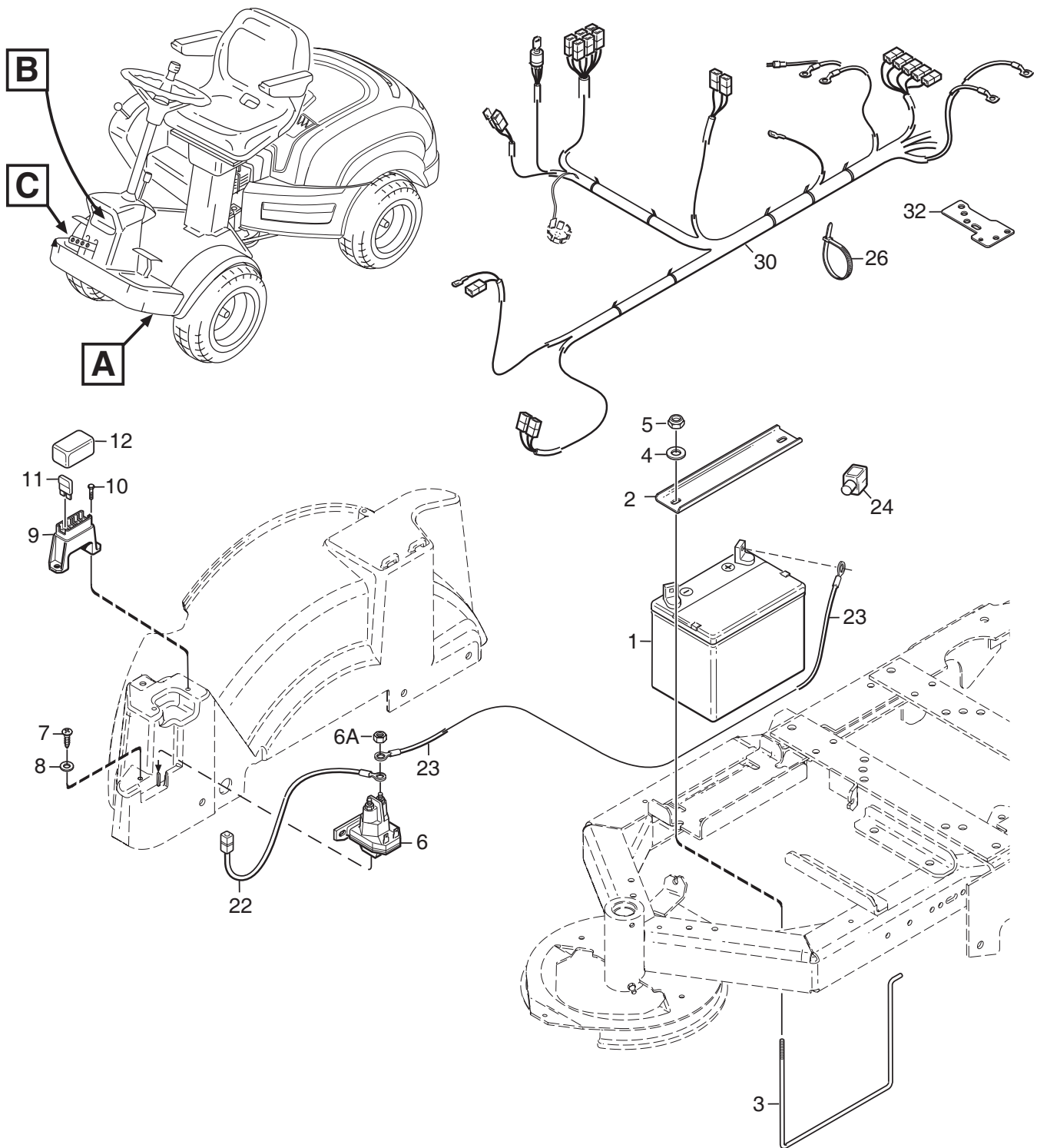
| Utgåva Issue 2009- 11 | | Bildnr Picture No 2213B | | PARK PRO 4WD SVAN- PRO 20- PRO 25 STYRNING | | PARK PRO 4WD SVAN- PRO 20- PRO 25 STEERING | | Sida Page 166 | |
|-----------------------------|-----------------------------|-------------------------------|--|--|-------------------|--|-------------------------------|---------------------|---------------------|
| Pos. Fig. | Antal/Quantity | | | | Art nr Part No | Benämning | Description | Sats Kit | Anmärkning Notes |
| | 6241 -25 6244 6246 | | | | | | | | |
| 1 | 1 | | | | 1134-6374-06 | Kedja | Chain | | 83 länk |
| 2 | 3 | | | | 1134-6374-02 | Kedja | Chain | | 41 länk |
| 3 | 1 | | | | 1134-6374-04 | Kedja | Chain | | 45 länk |
| 4A | 1 | | | | 1134-3550-01 | Ändnippel | End nipple | | L = 110 mm |
| 4B | 1 | | | | 1134-3550-02 | Ändnippel | End nipple | | L = 90 mm |
| 5 | 4 | | | | 1134-3565-01 | Skarvnippel..... | Connection nipple | | |
| 6 | 10 | | | | 1134-2824-02 | Kedjelås | Chain lock | | |
| 7A | 1 | | | | 1134-3817-01 | Tryckfjäder..... | Compression spring..... | | L = 58 mm |
| 7B | 1 | | | | 1134-3817-02 | Tryckfjäder..... | Compression spring..... | | L = 33 mm |
| 8 | 2 | | | | 9699-0090-02 | Planbricka..... | Flat washer..... | | |
| 9 | 2 | | | | 9747-0831-02 | Mutter..... | Lock nut..... | | |
| 10 | 4 | | | | 1134-2816-01 | Kedjehjul..... | Sprocket..... | | |
| 11 | 4 | | | | 1134-0041-02 | Linhjulshylsa | Idler wheel bush..... | | |
| 12 | 4 | | | | 9699-0035-02 | Planbricka..... | Flat washer..... | | |
| 13 | 2 | | | | 9997-1050-16 | Skruv..... | Screw..... | | |
| 14 | 2 | | | | 9897-1040-12 | Skruv..... | Screw..... | | |
| 15 | 4 | | | | 9739-1031-22 | Mutter..... | Nut..... | | |
| 16 | 3 | | | | 1134-3547-01 | Kedjehjul..... | Sprocket..... | | |
| 17 | 3 | | | | 1134-0041-01 | Linhjulshylsa | Bushing..... | | |
| 18 | 2 | | | | 1134-0046-00 | Linhållare..... | Wire clamp..... | | |
| 19 | 3 | | | | 9997-1030-16 | Skruv..... | Screw..... | | |
| 20 | 3 | | | | 9739-1031-22 | Mutter..... | Nut..... | | |
| 21 | 1 | | | | 1134-4120-04 | Styrkonsol | Steering console | | |
| 22 | 4 | | | | 9897-0820-16 | Skruv..... | Screw..... | | |
| 23 | 4 | | | | 9739-0831-22 | Mutter..... | Nut..... | | |
| 24 | 1 | | | | 1134-4113-02 | Rattör- nedre | Steering tube- lower | | |
| 25 | 1 | | | | 9549-0017-00 | Kullager | Ball bearing | | |
| 26 | 1 | | | | 9945-0816-16 | Skruv..... | Screw..... | | |
| 27 | 1 | | | | 1134-4087-01 | Rattstång | Steering rod | | |
| 28 | 1 | | | | 1134-4114-01 | Bussning | Bushing..... | | |
| 29 | 1 | | | | 1134-4118-01 | Koppling | Coupling..... | | |
| 30 | 2 | | | | 9595-0256-01 | Spännstift | Pin | | |
| 31 | 1 | | | | 9695-0011-00 | Bricka | Washer..... | | |
| 32 | 1 | | | | 1134-5173-02 | Ratt kpl..... | Steering wheel assy | | |
| 33 | 1 | | | | 1134-3769-01 | • Styrknopp kpl | • Steering wheel button | | |
| 34 | 1 | | | | 1134-3752-01 | •• Knoppfäste..... | •• Knob holder..... | | |
| 35 | 1 | | | | 9997-0870-16 | •• Skruv..... | •• Screw..... | | |
| 36 | 1 | | | | 1134-1565-06 | •• Distans..... | •• Spacer..... | | |
| 37 | 3 | | | | 9699-0090-02 | •• Planbricka | •• Flat washer | | |
| 38 | 1 | | | | 9747-0831-02 | •• Mutter..... | •• Lock nut | | |
| 39 | 1 | | | | 9403-0043-70 | •• Plugg | •• Plug..... | | |
| 40 | 1 | | | | 9403-0113-00 | •• Mutterhatt..... | •• Nut cap..... | | |
| 42 | 1 | | | | 1134-6420-01 | Momentförstärkare..... | Steering booster | | |
| 42A | 1 | | | | 1139-2074-01 | Reparationssats..... | Seal kit | | |
| 43 | 3 | | | | 9939-0612-16 | Skruv..... | Screw..... | | |
| 44 | 1 | | | | 1134-4282-01 | Hydraulnippel | Hydraulic nipple | | 9/16" x 9/16" |
| 44A | 1 | | | | 9404-0028-01 | • O-ring..... | • O-ring | | |
| 45 | 1 | | | | 1134-7073-01 | Vinkeladapter..... | Angle connection | | 090310- |
| 46 | 2 | | | | 1134-4948-02 | Tredobricka..... | Seal washer..... | | 090310 - |
| 47 | 1 | | | | 1134-6323-01 | Banjokruv..... | Banjo bolt..... | | 090310 - |
| 48 | 1 | | | | 1134-5757-01 | Hydraulslang | Hydraulic tube..... | | |
| 48 | 1 | | | | 1137-0019-01 | Hydraulslang | Hydraulic tube..... | | 090310 - |
| 50 | 1 | | | | 1134-6295-01 | Hydraulslang | Hydraulic tube..... | | |
| 50 | 1 | | | | 1137-0018-01 | Hydraulslang | Hydraulic tube..... | | 090310 - |
| 51 | 2 | | | | 1134-5100-01 | Banjokoppling..... | Banjo nipple | | |
| 53 | 1 | | | | 1134-5216-01 | Rattör- inre kpl | Steering tube- inner..... | | |
| 54 | 1 | | | | 1134-5177-01 | • Slid | • Slide..... | | |
| 55 | 1 | | | | 9710-0631-12 | • Fyrkantmutter | • Square nut | | |
| 56 | 1 | | | | 1134-4481-02 | Vingmutter..... | Wing nut | | |
| 57 | 1 | | | | 9997-0630-12 | Skruv..... | Screw..... | | |



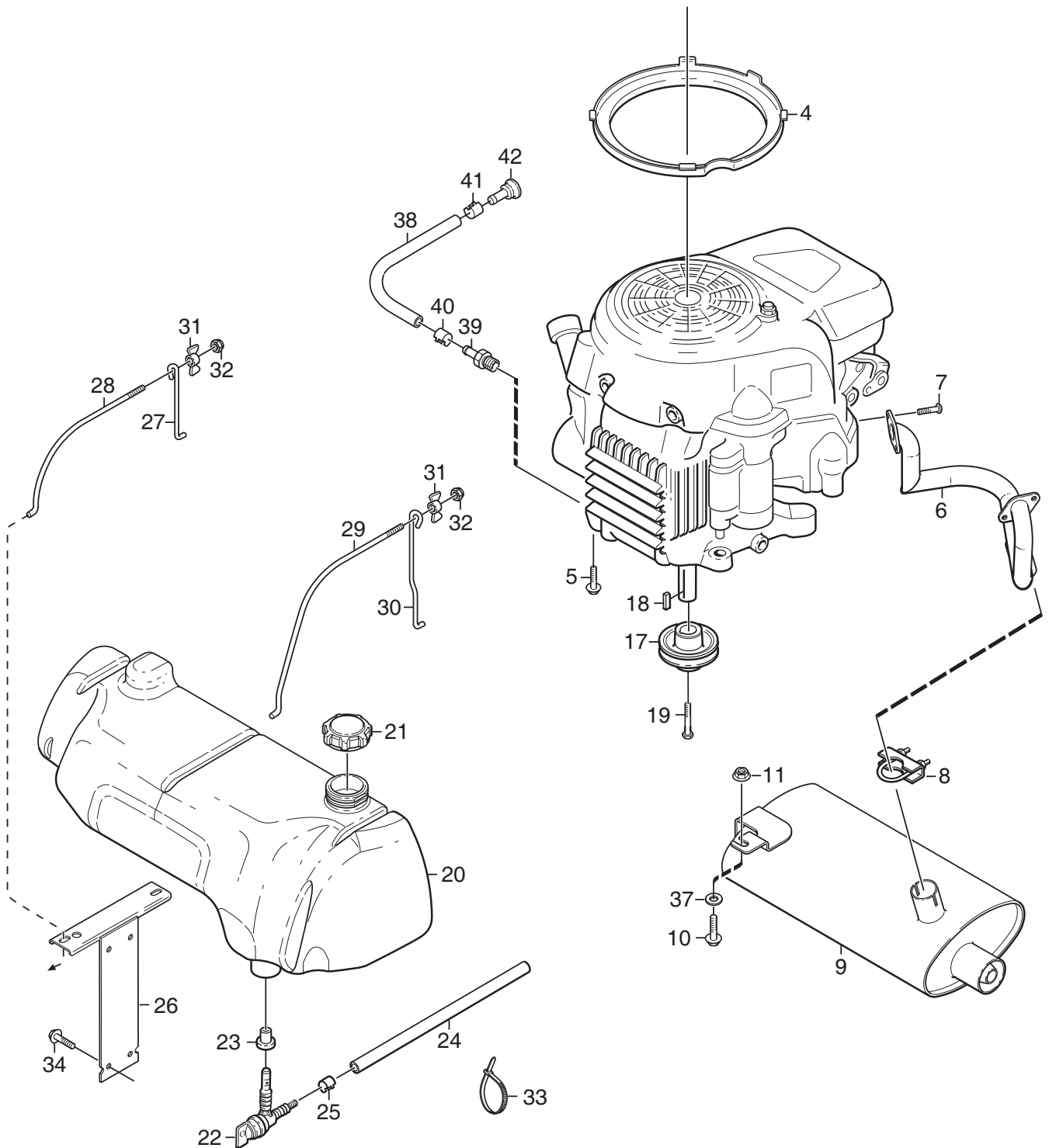
| Utgåva Issue | | Bildnr Picture No | | PARK PRO 4WD HANDREGLAGE | | PARK PRO 4WD HAND CONTROLS | | Sida Page | |
|-----------------|---------------------|-----------------------------|--|-----------------------------|----------------------------|-------------------------------|-------------|---------------------|--|
| 2009- 11 | | 1798B | | | | | | 168 | |
| Pos. Fig. | Antal/Quantity | | | Art nr Part No | Benämning | Description | Sats Kit | Anmärkning Notes | |
| | 6241 -15 6242 | 6241 -25 6244 6246 | | | | | | | |
| 1A | 1 | | | 1134-4156-01 | Vinkelhållare | Panel bracket- inner | | | |
| 1B | | 1 | | 1134-6324-01 | Vinkelhållare | Panel bracket | | | |
| 2 | 2 | 2 | | 9897-0820-16 | Skruv | Screw | | | |
| 3 | 2 | 2 | | 9739-0831-22 | Mutter | Nut | | | |
| 9 | 1 | 1 | | 1134-4077-01 | Gasreglage..... | Throttle control | | | |
| 10 | 1 | 1 | | 1134-4078-01 | Knopp | Knob | | | |
| 11 | 1 | 1 | | 1134-0240-00 | Ansattsskruv..... | Shoulder screw | | | |
| 12 | 2 | 2 | | 1134-4242-01 | Distansbricka..... | Spacer washer | | | |
| 13 | 1 | 1 | | 9694-0001-00 | Fjäderbricka | Washer | | | |
| 14 | 1 | 1 | | 9747-0831-02 | Mutter | Lock nut | | | |
| 15 | 1 | 1 | | 1134-4195-03 | Gaswire | Throttle cable | | | |
| 16 | 1 | 1 | | 9500-9991-00 | Wireklämma | Cable clamp | | | |
| 17 | 1 | 1 | | 9943-0516-16 | Skruv | Screw | | | |
| 25 | 1 | 1 | | 1134-6328-01 | Frontfäste | Panel bracket- front..... | | | |
| 26 | 2 | 2 | | 9893-0616-16 | Skruv | Screw | | | |
| 27 | 1 | 1 | | 1134-6327-01 | Frontplåt | Front plate | | | |
| 28 | 4 | 4 | | 9893-0616-16 | Skruv | Screw | | | |
| 34 | 1 | 1 | | 1134-2871-03 | Relä | Relay | | | |
| 35 | 2 | 2 | | 1134-2871-01 | Relä | Relay | | | |
| 36 | 3 | 3 | | 9997-0512-16 | Skruv | Screw | | | |
| 37 | 3 | 3 | | 9739-0531-22 | Mutter | Nut | | | |
| 38 | 1 | | | 1134-6096-07 | Kassett..... | Control panel..... | | | |
| 38 | | 1 | | 1134-6096-08 | Kassett..... | Dashboard | | | |
| 39 | 4 | 4 | | 9946-0525-16 | Skruv | Screw | | | |
| 40 | 1 | 1 | | 1134-4129-01 | Täckbricka | Cover | | | |
| 42 | 1 | 1 | | 1134-4093-01 | Tändningslås | Ignition switch | | | |
| 45 | 1 | 1 | | 1134-4749-01 | Mutter | Nut | | | |
| 46 | 1 | 1 | | 1134-2872-01 | Chokereglage..... | Choke control..... | | | |
| 46A | 1 | 1 | | 1134-4338-01 | • Reglageknopp..... | • Control knob | | | |
| 47 | 2 | 2 | | 9699-0090-02 | Planbricka..... | Flat washer..... | | | |
| 48 | 4 | 4 | | 9400-0282-01 | Brytare m.diod..... | Switch w.diode..... | | | |
| 49 | 1 | 1 | | 9400-0280-02 | Vippa- farthållare | Cover- cruise control..... | | | |
| 50 | 1 | 1 | | 9400-0280-03 | Vippa- höjdställning | Cover- height adjust | | | |
| 51 | 1 | 1 | | 9400-0280-01 | Vippa- kraftuttag | Cover- PTO | | | |
| 52 | 1 | 1 | | 9400-0280-04 | Vippa- redskap bak | Cover- rear tools | | | |
| 53 | 1 | 1 | | 9400-0283-01 | Brytare..... | Switch | | | |
| 54 | 1 | 1 | | 9400-0280-05 | Vippa- 12V | Cover- 12V | | | |
| 55 | 1 | 1 | | 1134-6097-01 | Timräknare | Hour meter..... | | | |
| 99 | 1 | 1 | | 9400-0290-01 | Verktyg f.vippa..... | Tool for cover..... | | Tillbehör/Accessory | |



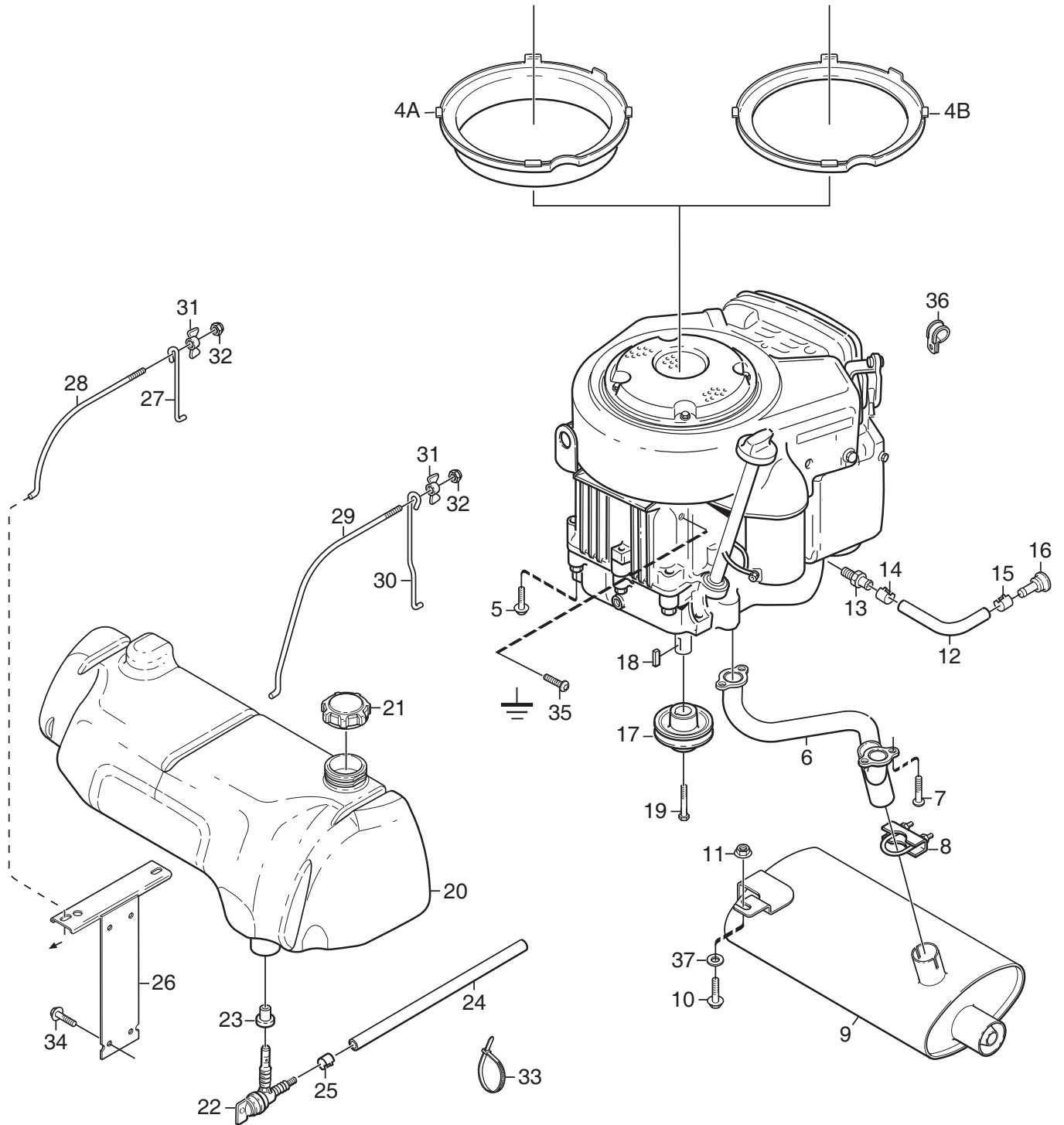
| Utgåva Issue 2009- 11 | | Bildnr Picture No 2211A | | PARK PRO 4WD FOTREGLAGE | | PARK PRO 4WD FOOT CONTROLS | | Sida Page 170 | |
|-----------------------------|---------------------|-------------------------------|--|----------------------------|---------------------------|-------------------------------|-------------|---------------------|--|
| Pos. Fig. | Antal/Quantity | | | Art nr Part No | Benämning | Description | Sats Kit | Anmärkning Notes | |
| | 6241 -15 6242 | 6241 -25 6244 6246 | | | | | | | |
| 1 | 1 | 1 | | 1134-5655-01 | Broms/kopplingspedal..... | Brake/clutch pedal..... | | Sats 4 st/kit of 4 | |
| 2 | 1 | 1 | | 1134-9024-01 | Lager..... | Bearing..... | | | |
| 3 | 1 | 1 | | 1134-5815-01 | Kopplingswire..... | Clutch cable..... | | | |
| 4 | 1 | 1 | | 1134-6020-01 | Bromswire..... | Brake cable..... | | | |
| 5 | 1 | 1 | | 1134-5989-01 | Fjäder..... | Spring..... | | | |
| 6 | 1 | 1 | | 1134-5677-02 | Distans..... | Spacer..... | | | |
| 7 | 1 | 1 | | 9997-1070-12 | Skruv..... | Screw..... | | | |
| 8 | 1 | 1 | | 9699-0030-02 | Planbricka..... | Flat washer..... | | | |
| 9 | 1 | 1 | | 9739-1031-22 | Mutter..... | Nut..... | | | |
| 10 | 1 | 1 | | 4231-0013-00 | Fjäder..... | Spring..... | | | |
| 11 | 1 | 1 | | 1134-6353-01 | Drivpedal..... | Drive pedal..... | | | |
| 12 | 2 | 2 | | 1134-6313-01 | Lager..... | Bearing..... | | | |
| 13 | 2 | 2 | | 1134-2700-01 | Fäste..... | Bracket..... | | | |
| 14 | 2 | 2 | | 9959-0820-16 | Skruv..... | Screw..... | | | |
| 15 | 2 | 2 | | 9739-0831-22 | Mutter..... | Nut..... | | | |
| 16 | 1 | 1 | | 9997-0835-16 | Skruv..... | Screw..... | | | |
| 17 | 1 | 1 | | 9739-0831-22 | Mutter..... | Nut..... | | | |
| 22 | 1 | 1 | | 1134-2766-08 | Reglagewire..... | Control cable..... | | | |
| 23 | 2 | 2 | | 9570-0001-00 | Vinkellänk..... | Elbow link..... | | | |
| 24 | 2 | 2 | | 9739-0531-22 | Mutter..... | Nut..... | | | |
| 25 | 1 | 1 | | 1134-0266-00 | Fästbygel..... | Attaching clamp..... | | | |
| 26 | 1 | 1 | | 1134-0267-00 | Underläggsbleck..... | Clamp plate..... | | | |
| 27 | 2 | 2 | | 9997-0520-16 | Skruv..... | Screw..... | | | |
| 28 | 2 | 2 | | 9739-0531-22 | Mutter..... | Nut..... | | | |
| 29 | 1 | 1 | | 1134-5689-01 | Wirekonsol..... | Cable bracket..... | | | |
| 30 | 2 | 2 | | 9945-0816-16 | Skruv..... | Screw..... | | | |
| 31 | 1 | 1 | | 1134-3996-01 | Fäste..... | Bracket..... | | | |
| 32 | 1 | 1 | | 1134-4187-01 | Dämpare..... | Damper..... | | | |
| 33 | 2 | 2 | | 9997-0840-16 | Skruv..... | Screw..... | | | |
| 34 | 2 | 2 | | 1134-1565-09 | Distans..... | Spacer..... | | | |
| 35 | 2 | 2 | | 9739-0831-22 | Mutter..... | Nut..... | | | |
| 36 | 2 | 2 | | 9747-0831-02 | Mutter..... | Lock nut..... | | | |
| 37 | 1 | 1 | | 1134-6356-01 | Farthållarplåt..... | Speed control plate..... | | | |
| 38 | 1 | 1 | | 1134-2859-02 | Magnet kpl..... | Magneto assy..... | | | |
| 38A | 1 | 1 | | 1134-2858-01 | • Fjäder..... | • Spring..... | | | |
| 39 | 1 | 1 | | 1134-6358-01 | Arm..... | Lever..... | | | |
| 40 | 1 | 1 | | 9699-0036-02 | Planbricka..... | Flat washer..... | | | |
| 41 | 1 | 1 | | 9650-0012-04 | Seegersäkkring..... | Circlip..... | | | |
| 42 | 2 | 2 | | 9570-0001-00 | Vinkellänk..... | Elbow link..... | | | |
| 43 | 2 | 2 | | 9739-0531-22 | Mutter..... | Nut..... | | | |
| 44 | 2 | 2 | | 9747-0531-02 | Mutter..... | Nut..... | | | |
| 45 | 1 | 1 | | 1134-6361-02 | Skruvstång..... | Screw rod..... | | | |
| 46 | 1 | 1 | | 9897-0640-12 | Skruv..... | Screw..... | | | |
| 47 | 1 | 1 | | 9897-0616-16 | Vagnsbult..... | Carriage bolt..... | | | |
| 48 | 2 | 2 | | 9739-0631-22 | Mutter..... | Nut..... | | | |
| 49 | 1 | 1 | | 1134-5101-01 | Bromsstång..... | Brake rod..... | | | |
| 50 | 1 | 1 | | 1134-3808-01 | Knopp..... | Knob..... | | | |
| 51 | 1 | 1 | | 1131-1497-01 | Fjäder..... | Spring..... | | | |
| 52 | 1 | 1 | | 1134-4002-01 | Fäste..... | Brake rod attachment..... | | | |
| 53 | | 1 | | 1134-4944-01 | Plåt..... | Stop plate..... | | | |
| 54 | 3 | 3 | | 9838-9516-12 | Skruv..... | Screw..... | | | |
| 55 | 2 | 2 | | 9747-0531-02 | Mutter..... | Nut..... | | | |
| 60 | 2 | 2 | | 1134-6340-02 | Fotstöd..... | Foot rest..... | | | |
| 61 | 4 | 4 | | 9959-0620-16 | Skruv..... | Screw..... | | | |
| 62 | 4 | 4 | | 9739-0631-22 | Mutter..... | Nut..... | | | |
| 63 | 1 | 1 | | 1134-6317-01 | Wirefäste..... | Cable holder..... | | | |
| 64 | 2 | 2 | | 9959-0620-16 | Skruv..... | Screw..... | | | |
| 65 | 2 | 2 | | 9739-0631-22 | Mutter..... | Nut..... | | | |



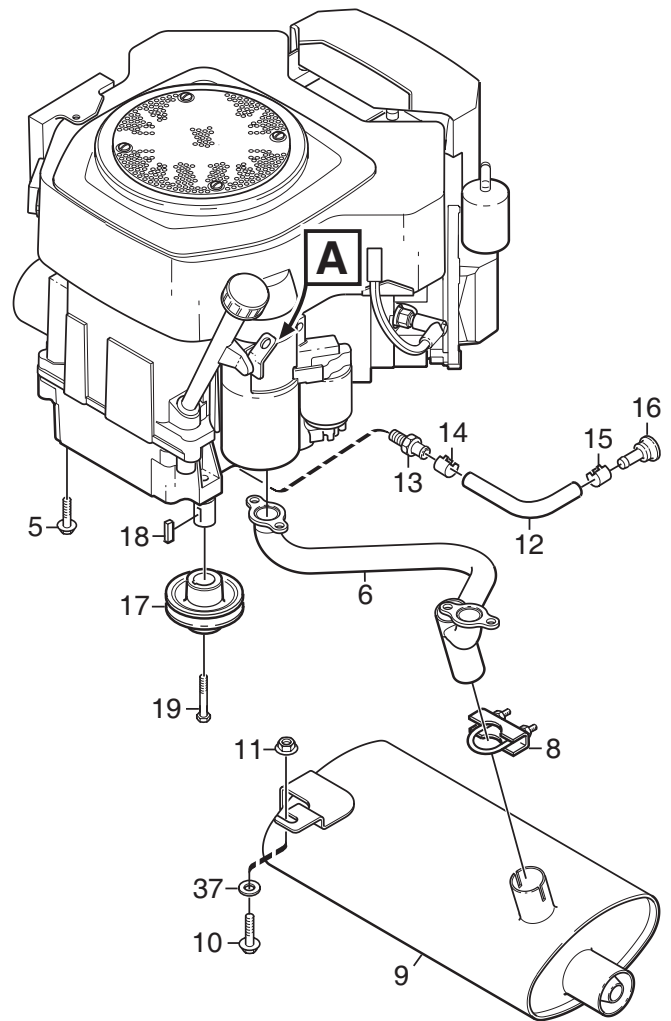
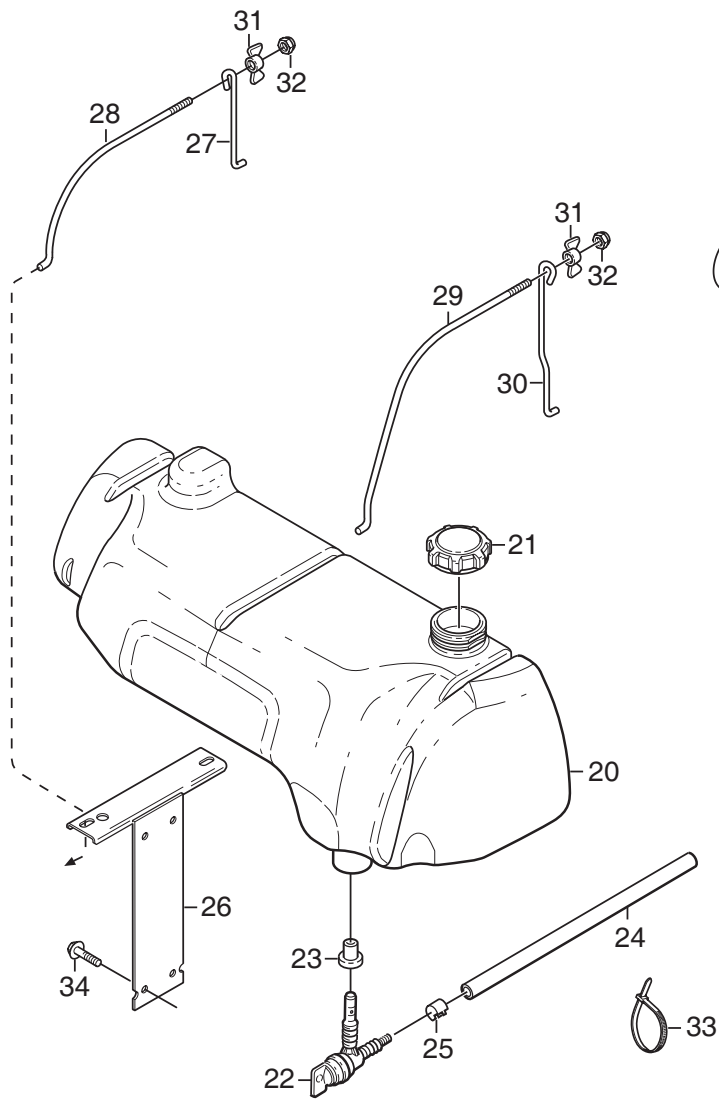
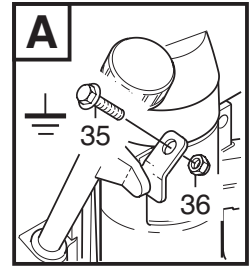
| Utgåva Issue | | Bildnr Picture No | | PARK PRO 4WD ELUTRUSTNING | | PARK PRO 4WD EL. EQUIPMENT | | Sida Page | |
|-----------------|---------------------|----------------------|--------------|------------------------------|---------------------------------------|-------------------------------|-------------|---------------|---------------------|
| 2009- 11 | | 1800C | | | | | | 172 | |
| Pos. Fig. | Antal/Quantity | | | | Art nr Part No | Benämning | Description | Sats Kit | Anmärkning Notes |
| | 6241 -15 6242 | 6241 -25 | 6244 6246 | | | | | | |
| 1 | 1 | 1 | 1 | | 1134-5751-01 Batteri | Battery | | 12V - 24Ah | |
| 2 | 1 | 1 | 1 | | 1134-5643-01 Batteriplåt | Battery plate | | | |
| 3 | 1 | 1 | 1 | | 1134-5642-01 Batteribygge | Battery loop | | | |
| 4 | 1 | 1 | 1 | | 9699-0060-02 Planbricka | Flat washer | | | |
| 5 | 1 | 1 | 1 | | 9747-0631-02 Låsmutter | Lock nut | | | |
| 6 | 1 | 1 | 1 | | 1134-2962-01 Solenoid kpl | Solenoid assy | | | |
| 6A | 2 | 2 | 2 | | 9794-5131-02 • Mutter | • Nut | | | |
| 7 | 1 | 1 | 1 | | 9838-9516-12 Skruv | Screw | | | |
| 8 | 1 | 1 | 1 | | 9699-0060-02 Planbricka | Flat washer | | | |
| 9 | 1 | 1 | 1 | | 1134-3491-01 Säkringshållare | Fuse holder | | | |
| 10 | 2 | 2 | 2 | | 9838-9516-12 Skruv | Screw | | | |
| 11 | 1 | 1 | 1 | | 1134-3496-01 Säkring | Fuse | | 10A | |
| 11 | 1 | 1 | 1 | | 1134-3496-06 Säkring | Fuse | | 20A | |
| 11 | 1 | 1 | 1 | | 1134-3496-07 Säkring | Fuse | | 30A | |
| 12 | 1 | 1 | 1 | | 1134-3631-01 Lock-säkringsdosa | Cover-fuse holder | | | |
| 14 | 1 | 1 | 1 | | 1134-3399-01 Brytare | Switch | | | |
| 15 | 2 | 2 | 2 | | 9943-0516-16 Skruv | Screw | | | |
| 16 | 1 | 1 | 1 | | 1134-4172-01 Strålkastare kpl | Headlamp assy | | | |
| 16A | 1 | 1 | 1 | | 9400-0293-01 • Glödlampa | • Bulb | | 12V - 21W | |
| 17 | 2 | 2 | 2 | | 9849-7819-16 Skruv | Screw | | | |
| 18 | 2 | 2 | 2 | | 1134-4177-01 Clips | Clips | | | |
| 19 | 1 | 1 | 1 | | 1134-7535-01 Honkontakt | Female terminal | | | |
| 20 | 1 | 1 | 1 | | 1134-4052-01 Stödbricka | Support washer | | | |
| 21 | 2 | 2 | 2 | | 9840-7716-16 Skruv | Screw | | | |
| 22 | 1 | 1 | 1 | | 1134-4970-01 Kabel | Cable | | | |
| 23 | 1 | 1 | 1 | | 1134-0234-02 Batterikabel (+) | Battery cable (+) | | | |
| 24 | 1 | 1 | 1 | | 1134-2310-01 Batteriskydd | Guard cap | | | |
| 26 | 10 | 10 | 10 | | 9579-0003-00 Buntband | Cable holder | | | |
| 30 | 1 | | 1 | | 1134-6455-01 Kablage | Harness | | | |
| 30 | | 1 | | | 1134-6468-01 Kablage | Harness | | Honda- engine | |
| 32 | 1 | 1 | 1 | | 1134-6454-01 Jordplåt | Ground plate | | | |



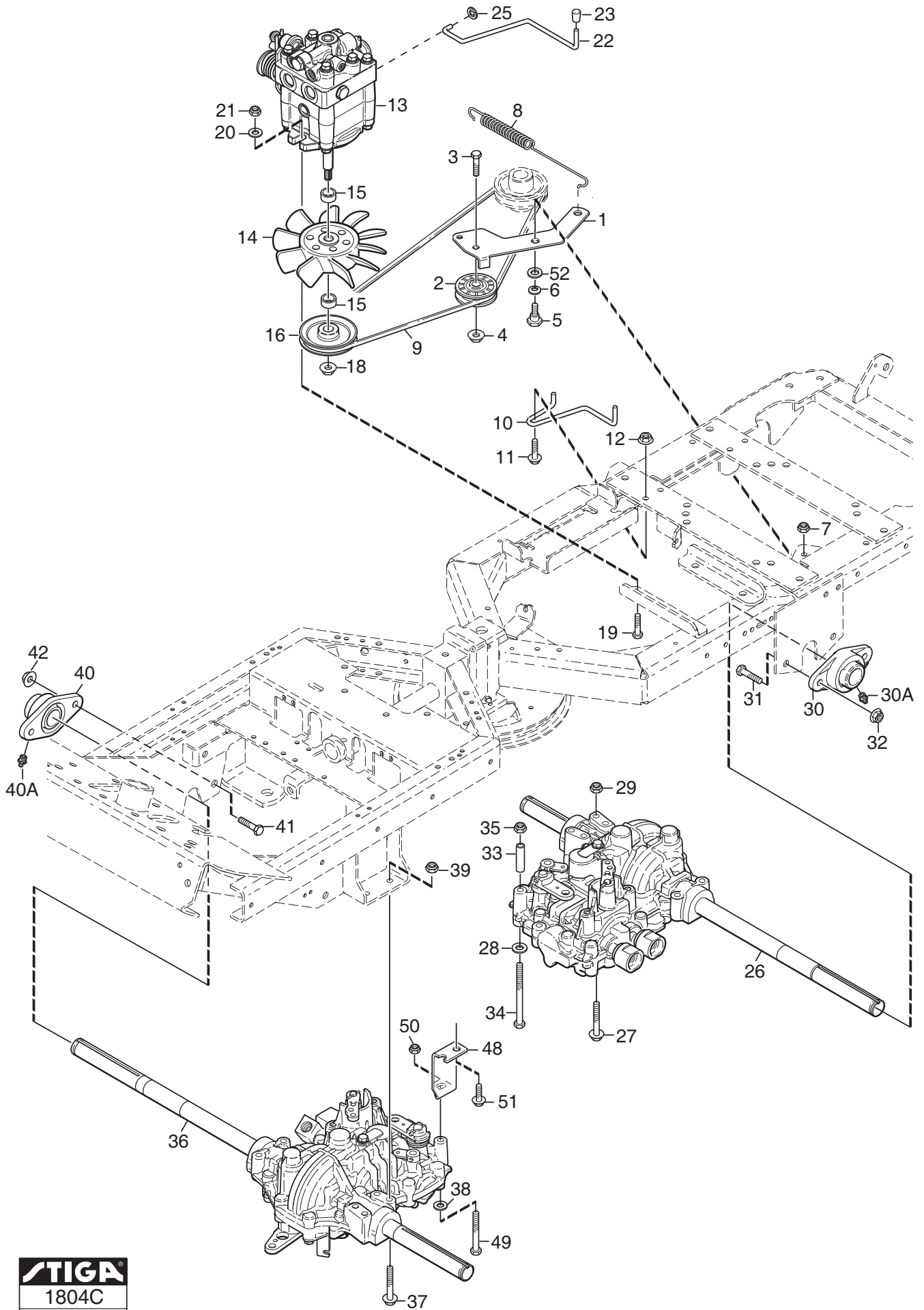
| Utgåva Issue | Bildnr Picture No | PARK PRO 4WD PRO SVAN MOTOR (Honda) | | PARK PRO 4WD PRO SVAN ENGINE (Honda) | | Sida Page | | | |
|-----------------|----------------------|--|--|---|--------------------------|---------------------------|-------------|-------------|---------------------|
| 2009- 11 | 2013A | | | | | 174 | | | |
| Pos. Fig. | Antal/Quantity | | | | Art nr Part No | Benämning | Description | Sats Kit | Anmärkning Notes |
| | 6241 -25 | | | | | | | | |
| 4 | 1 | | | 1134-6116-02 | Luftkanal..... | Air duct | | | Ø = 221, H = 15 mm |
| 5 | 4 | | | 9955-3725-16 | Skruv | Screw | | | |
| 6 | 1 | | | 1134-5902-01 | Grenrör..... | Exhaust pipe | | | |
| 7 | 4 | | | 9939-0820-16 | Skruv..... | Screw..... | | | |
| 8 | 1 | | | 9578-0011-01 | Klämma | Clamp..... | | | |
| 9 | 1 | | | 1134-5667-01 | Ljuddämpare | Muffler | | | |
| 10 | 1 | | | 9959-0820-16 | Skruv..... | Screw..... | | | |
| 11 | 1 | | | 9739-0831-22 | Mutter..... | Nut | | | |
| 17 | 1 | | | 1134-5865-01 | Motorremskiva | Engine belt pulley..... | | | |
| 18 | 1 | | | 9600-0251-00 | Plattkil | Key | | | |
| 19 | 1 | | | 9987-5364-12 | Skruv..... | Screw..... | | | |
| 20 | 1 | | | 1134-5644-01 | Bensintank..... | Fuel tank | | 14 Liter | |
| 21 | 1 | | | 1134-5532-01 | Tanklock | Fuel tank cap..... | | | |
| 22 | 1 | | | 1134-3224-01 | Bensinkran..... | Fuel shut-off valve | | | |
| 23 | 1 | | | 1134-3225-01 | Gummibussning | Grommet..... | | | |
| 24 | 1 | | | 1134-2975-05 | Bensinslang | Fuel hose..... | | | L = 460 mm |
| 25 | 2 | | | 9578-0023-02 | Slangklämma..... | Hose clamp | | | |
| 26 | 1 | | | 1134-5615-01 | Tankkonsol | Tank bracket..... | | | |
| 27 | 1 | | | 1134-5621-01 | Tankbygel | Tank loop | | | |
| 28 | 1 | | | 1134-5622-01 | Tankbygel | Tank loop | | | |
| 29 | 1 | | | 1134-5623-01 | Tankbygel | Tank loop | | | |
| 30 | 1 | | | 1134-5765-01 | Tankbygel | Tank loop | | | |
| 31 | 2 | | | 1134-4481-02 | Vingmutter..... | Wing nut | | | |
| 32 | 2 | | | 9747-0631-02 | Låsmutter | Lock nut..... | | | |
| 33 | 1 | | | 9579-0003-00 | Buntband | Cable holder..... | | | |
| 34 | 2 | | | 9945-0816-16 | Skruv..... | Screw..... | | | |
| 35 | 1 | | | 9939-0820-16 | Skruv..... | Screw..... | | Jord/ground | |
| 37 | 1 | | | 9699-0056-02 | Planbricka..... | Flat washer..... | | | |
| 38 | 1 | | | 1134-5827-04 | Oljeavtappning kpl | Oil drain assy | | | L = 290 mm |
| 39 | 1 | | | 1134-5825-01 | • Nippel | • Nipple..... | | | |
| 40 | 1 | | | 9578-0023-04 | • Slangklämma | • Hose clamp | | | |
| 41 | 1 | | | 1134-3499-02 | • Slangklämma | • Hose clamp | | | |
| 42 | 1 | | | 1134-5826-01 | • Plugg | • Plug..... | | | |



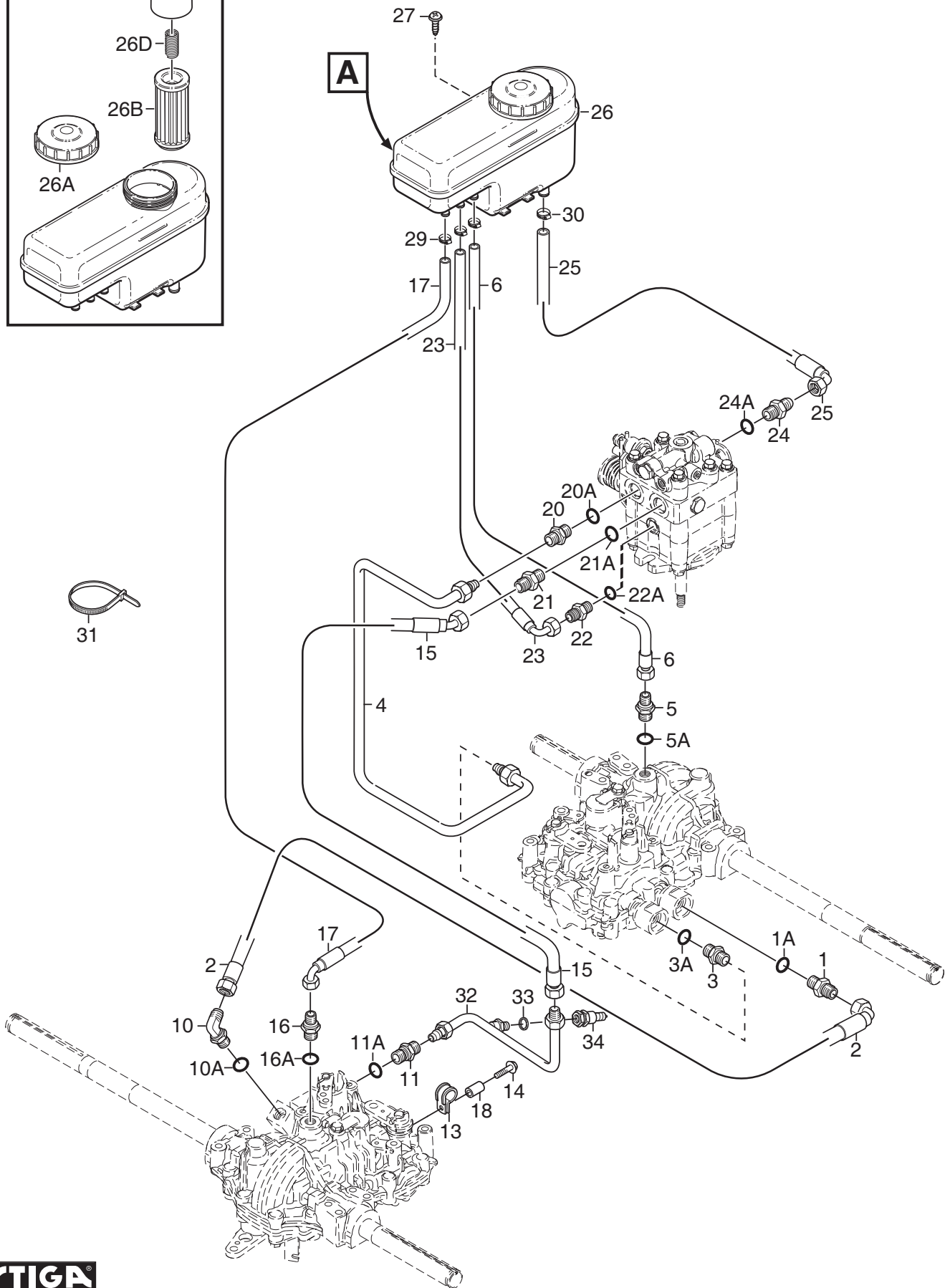
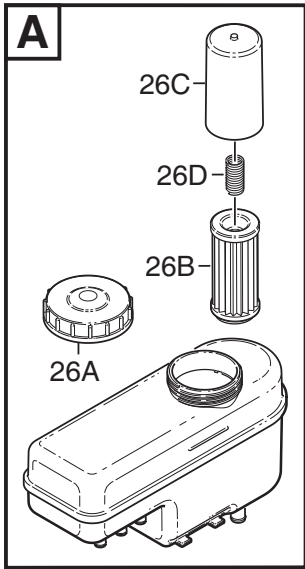
| Utgåva Issue 2009- 11 | | Bildnr Picture No 1802B | | PARK PRO 4WD PRO 16- PRO 20 MOTOR (Briggs & Stratton) | | PARK PRO 4WD PRO 16- PRO 20 ENGINE (Briggs & Stratton) | | Sida Page 176 | |
|-----------------------------|----------------|-------------------------------|--|--|--------------------------|---|-------------|---|--|
| Pos. Fig. | Antal/Quantity | | | Art nr Part No | Benämning | Description | Sats Kit | Anmärkning Notes | |
| | 6241 -15 | 6244 | | | | | | | |
| 4A | 1 | | | 1134-6116-04 | Luftkanal..... | Air duct | | Ø = 200, H = 45 mm Ø = 215, H = 6 mm | |
| 4B | | 1 | | 1134-6116-01 | Luftkanal..... | Air duct | | | |
| 5 | 4 | 4 | | 9955-3725-16 | Skruv | Screw | | | |
| 6 | 1 | 1 | | 1134-5733-01 | Grenrör | Exhaust pipe | | | |
| 7 | 4 | 4 | | 9939-0820-16 | Skruv | Screw | | | |
| 8 | 1 | 1 | | 9578-0011-01 | Klämma | Clamp..... | | | |
| 9 | 1 | 1 | | 1134-5667-01 | Ljuddämpare | Muffler | | | |
| 10 | 1 | 1 | | 9959-0820-16 | Skruv | Screw | | | |
| 11 | 1 | 1 | | 9739-0831-22 | Mutter | Nut | | | |
| 12 | 1 | 1 | | 1134-5827-01 | Oljeavtappning kpl | Oil drain assy | | L = 140 mm | |
| 13 | 1 | 1 | | 1134-5825-01 | • Nippel | • Nipple..... | | | |
| 14 | 1 | 1 | | 9578-0023-04 | • Slangklämma | • Hose clamp | | | |
| 15 | 1 | 1 | | 1134-3499-02 | • Slangklämma | • Hose clamp | | | |
| 16 | 1 | 1 | | 1134-5826-01 | • Plugg | • Plug..... | | | |
| 17 | 1 | 1 | | 1134-5865-01 | Motorremskiva | Engine belt pulley..... | | | |
| 18 | 1 | 1 | | 9600-0251-00 | Plattkil | Key | | | |
| 19 | 1 | 1 | | 9987-5364-12 | Skruv | Screw | | | |
| 20 | 1 | 1 | | 1134-5644-01 | Bensintank..... | Fuel tank | | 14 Liter | |
| 21 | 1 | 1 | | 1134-5532-01 | Tanklock | Fuel tank cap..... | | | |
| 22 | 1 | 1 | | 1134-3224-01 | Bensinkran..... | Fuel shut-off valve | | | |
| 23 | 1 | 1 | | 1134-3225-01 | Gummibussning | Grommet..... | | | |
| 24 | 1 | 1 | | 1134-2975-05 | Bensinslang | Fuel hose..... | | L = 460 mm | |
| 25 | 2 | 2 | | 9578-0023-02 | Slangklämma..... | Hose clamp | | | |
| 26 | 1 | 1 | | 1134-5615-01 | Tankkonsol | Tank bracket..... | | | |
| 27 | 1 | 1 | | 1134-5621-01 | Tankbygel | Tank loop | | | |
| 28 | 1 | 1 | | 1134-5622-01 | Tankbygel | Tank loop | | | |
| 29 | 1 | 1 | | 1134-5623-01 | Tankbygel | Tank loop | | | |
| 30 | 1 | 1 | | 1134-5765-01 | Tankbygel | Tank loop | | | |
| 31 | 2 | 2 | | 1134-4481-02 | Vingmutter..... | Wing nut | | | |
| 32 | 2 | 2 | | 9747-0631-02 | Låsmutter | Lock nut..... | | | |
| 33 | 1 | 1 | | 9579-0003-00 | Buntband | Cable holder..... | | | |
| 34 | 2 | 2 | | 9945-0816-16 | Skruv | Screw | | | |
| 35 | 1 | 1 | | 9939-0820-16 | Skruv | Screw | | | |
| 36 | 1 | 1 | | 1134-0994-02 | Rörklammer..... | Tube clamp..... | | | |
| 37 | 1 | 1 | | 9699-0056-02 | Planbricka..... | Flat washer..... | | | |



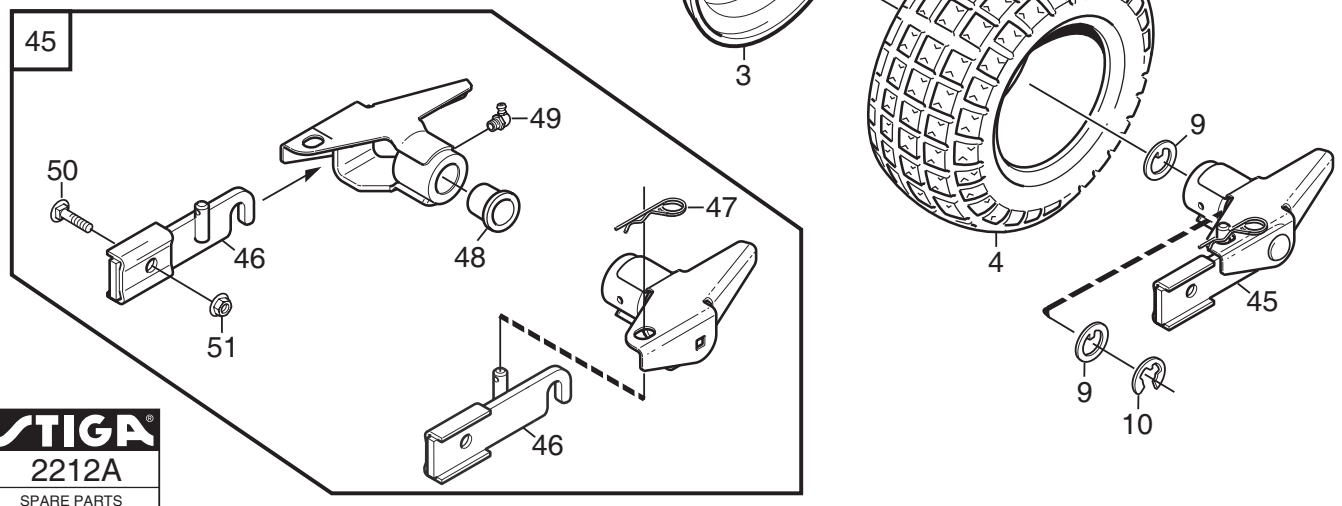
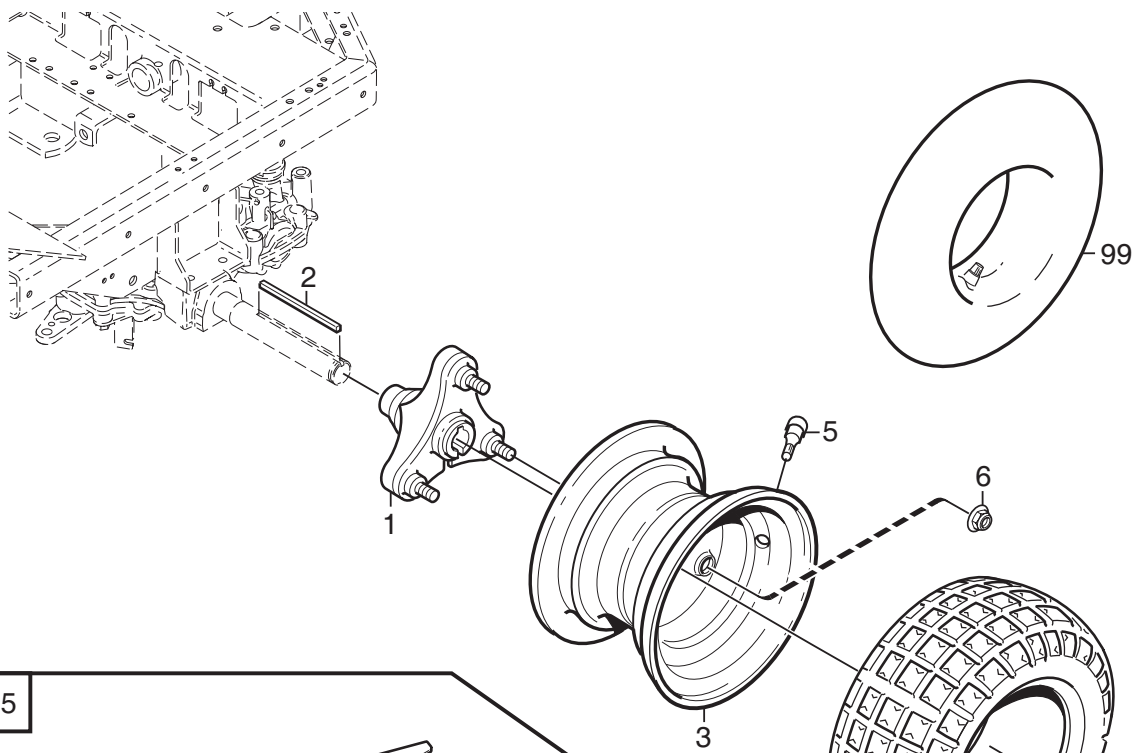
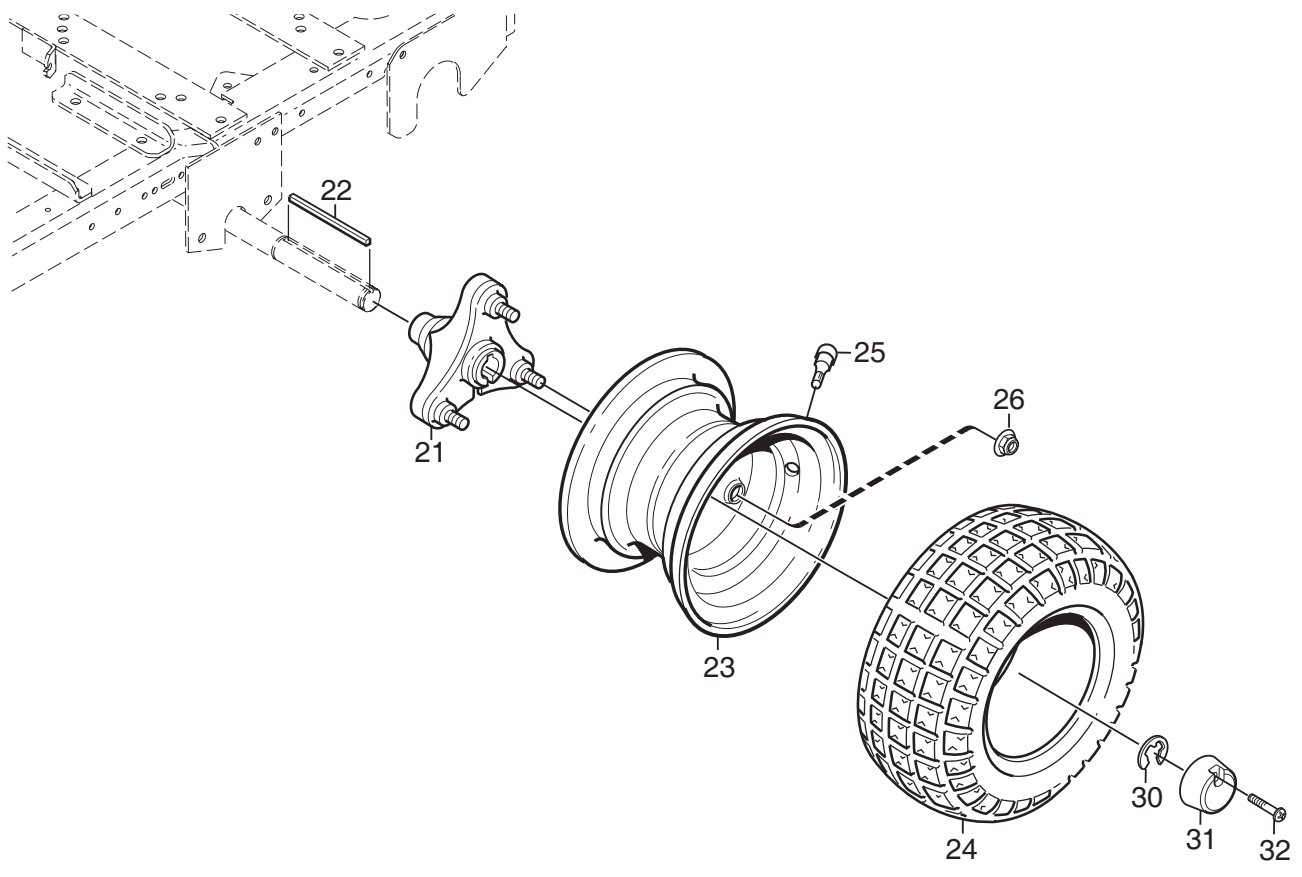
| Utgåva Issue 2009- 11 | | Bildnr Picture No 1803 | | PARK PRO 4WD PRO 25- PRO BIVOJ 25 MOTOR (Kohler) | | PARK PRO 4WD PRO 25- PRO BIVOJ 25 ENGINE (Kohler) | | Sida Page 178 | |
|-----------------------------|----------------|------------------------------|--|---|--------------------------------------|--|-------------|---------------------|---------------------|
| Pos. Fig. | Antal/Quantity | | | | Art nr Part No | Benämning | Description | Sats Kit | Anmärkning Notes |
| | 6242 | 6246 | | | | | | | |
| 5 | 4 | | | | 9955-3725-16 Skruv..... | Screw..... | | | |
| 6 | 1 | | | | 1134-7877-01 Grenrör..... | Exhaust pipe | | | |
| 8 | 1 | | | | 9578-0011-01 Klämma..... | Clamp..... | | | |
| 9 | 1 | | | | 1134-5667-01 Ljuddämpare | Muffler | | | |
| 10 | 1 | | | | 9959-0820-16 Skruv..... | Screw..... | | | |
| 11 | 1 | | | | 9739-0831-22 Mutter..... | Nut..... | | | |
| 12 | 1 | | | | 1134-5827-04 Oljeavtappning kpl..... | Oil drain assy | | L = 290 mm | |
| 13 | 1 | | | | 1134-5825-01 • Nippel..... | • Nipple..... | | | |
| 14 | 1 | | | | 9578-0023-04 • Slangklämna..... | • Hose clamp | | | |
| 15 | 1 | | | | 1134-3499-02 • Slangklämna..... | • Hose clamp | | | |
| 16 | 1 | | | | 1134-5826-01 • Plugg..... | • Plug..... | | | |
| 17 | 1 | | | | 1134-5866-01 Motorremskiva..... | Engine belt pulley..... | | | |
| 18 | 1 | | | | 9600-0251-00 Plattkil..... | Key..... | | | |
| 19 | 1 | | | | 9987-5376-12 Skruv..... | Screw..... | | | |
| 20 | 1 | | | | 1134-5644-01 Bensintank..... | Fuel tank | | 14 Liter | |
| 21 | 1 | | | | 1134-5532-01 Tanklock..... | Fuel tank cap..... | | | |
| 22 | 1 | | | | 1134-3224-01 Bensinkran..... | Fuel shut- off valve..... | | | |
| 23 | 1 | | | | 1134-3225-01 Gummibussning..... | Grommet..... | | | |
| 24 | 1 | | | | 1134-2975-04 Bensinslang..... | Fuel line..... | | L = 710 mm | |
| 25 | 2 | | | | 9578-0023-02 Slangklämna..... | Hose clamp | | | |
| 26 | 1 | | | | 1134-5615-01 Tankkonsol..... | Tank bracket..... | | | |
| 27 | 1 | | | | 1134-5621-01 Tankbygel..... | Tank loop | | | |
| 28 | 1 | | | | 1134-5622-01 Tankbygel..... | Tank loop | | | |
| 29 | 1 | | | | 1134-5623-01 Tankbygel..... | Tank loop | | | |
| 30 | 1 | | | | 1134-5765-01 Tankbygel..... | Tank loop | | | |
| 31 | 2 | | | | 1134-4481-02 Vingmutter..... | Wing nut | | | |
| 32 | 2 | | | | 9747-0631-02 Låsmutter..... | Lock nut..... | | | |
| 33 | 1 | | | | 9579-0003-00 Buntband..... | Cable holder..... | | | |
| 34 | 2 | | | | 9945-0816-16 Skruv..... | Screw..... | | | |
| 35 | 1 | | | | 9959-0820-16 Skruv..... | Screw..... | | | |
| 36 | 1 | | | | 9747-0831-02 Mutter..... | Lock nut..... | | | |
| 37 | 1 | | | | 9699-0056-02 Planbricka..... | Flat washer..... | | | |



| Utgåva Issue 2009- 11 | | Bildnr Picture No 1804C | | PARK PRO 4WD TRANSMISSION (mekaniska delar) | | PARK PRO 4WD TRANSMISSION (mechanical parts) | | Sida Page 180 | |
|-----------------------------|----------------|-------------------------------|------|---|-------------------|--|---------------------------|---------------------|---------------------|
| Pos. Fig. | Antal/Quantity | | | | Art nr Part No | Benämning | Description | Sats Kit | Anmärkning Notes |
| | 6241 | 6242 | 6244 | 6246 | | | | | |
| 1 | 1 | | | | 1134-5739-01 | Spännarm | Tension arm | | |
| 2 | 1 | | | | 1134-3459-01 | Spännrulle | Tension roller | | |
| 3 | 1 | | | | 9997-1030-16 | Skruv | Screw | | |
| 4 | 1 | | | | 9739-1031-22 | Mutter | Nut | | |
| 5 | 1 | | | | 1134-0240-00 | Ansattsskruv | Shoulder screw | | |
| 6 | 1 | | | | 9665-0002-00 | Brickfjäder | Bowed washer | | |
| 7 | 1 | | | | 9747-0831-02 | Mutter | Lock nut | | |
| 8 | 1 | | | | 1134-5713-02 | Fjäder | Spring | | |
| 9 | 1 | | | | 1134-9058-01 | Drivrem | V- belt | | = 9585-0091-01 |
| 10 | 1 | | | | 1134-5764-01 | Remstyrning | Belt guide | | |
| 11 | 1 | | | | 9959-0820-16 | Skruv | Screw | | |
| 12 | 1 | | | | 9739-0831-22 | Mutter | Nut | | |
| 13 | 1 | | | | 1134-5700-01 | Hydraulpump kpl | Hydraulic pump assy | | Kanzaki KPL 10ALP |
| 14 | 1 | | | | 1134-4190-01 | Fläkt | Fan | | |
| 15 | 2 | | | | 1134-5862-01 | Distans | Spacer | | |
| 16 | 1 | | | | 1134-5821-01 | Remskiva | Belt pulley | | |
| 18 | 1 | | | | 9731-1031-22 | Mutter | Nut | | |
| 19 | 2 | | | | 9997-1040-16 | Skruv | Screw | | |
| 20 | 2 | | | | 9699-0030-02 | Planbricka | Flat washer | | |
| 21 | 2 | | | | 9731-1031-22 | Mutter | Nut | | |
| 22 | 1 | | | | 1134-5763-01 | Dragstång | Pull rod | | |
| 23 | 1 | | | | 1134-4014-01 | Plastknopp | Plastic button | | |
| 25 | 2 | | | | 9675-0009-02 | Starlock | Starlock | | |
| 26 | 1 | | | | 1134-5701-01 | Motoraxel- bak | Motor shaft- rear | | Kanzaki KTM 10G |
| 27 | 2 | | | | 9960-0860-12 | Skruv | Screw | | |
| 28 | 1 | | | | 9699-0090-02 | Planbricka | Flat washer | | |
| 29 | 2 | | | | 9747-0831-02 | Mutter | Lock nut | | |
| 30 | 1 | | | | 1134-5703-01 | Flänslagerenhet | Flange bearing | | |
| 30A | 1 | | | | 9501-0500-00 | • Smörjnippel | • Grease joint | | |
| 31 | 2 | | | | 9997-1040-16 | Skruv | Screw | | |
| 32 | 2 | | | | 9731-1031-22 | Mutter | Nut | | |
| 33 | 1 | | | | 1134-1565-15 | Distans | Spacer | | |
| 34 | 1 | | | | 9997-0812-02 | Skruv | Screw | | |
| 35 | 1 | | | | 9747-0831-02 | Mutter | Lock nut | | |
| 36 | 1 | | | | 1134-5702-01 | Motoraxel- fram | Motor shaft- front | | Kanzaki KTM 10F |
| 37 | 2 | | | | 9960-0860-12 | Skruv | Screw | | |
| 38 | 1 | | | | 9699-0090-02 | Planbricka | Flat washer | | |
| 39 | 2 | | | | 9747-0831-02 | Mutter | Lock nut | | |
| 40 | 1 | | | | 1134-5703-01 | Flänslagerenhet | Flange bearing | | |
| 40A | 1 | | | | 9501-0500-00 | • Smörjnippel | • Grease joint | | |
| 41 | 2 | | | | 9997-1040-16 | Skruv | Screw | | |
| 42 | 2 | | | | 9731-1031-22 | Mutter | Nut | | |
| 48 | 1 | | | | 1134-5670-01 | Reaktionsstag | Strut | | |
| 49 | 1 | | | | 9997-0880-16 | Skruv | Screw | | |
| 50 | 1 | | | | 9747-0831-02 | Mutter | Lock nut | | |
| 51 | 2 | | | | 9945-0816-16 | Skruv | Screw | | |
| 52 | 1 | | | | 1134-4242-01 | Distansbricka | Spacer washer | | |

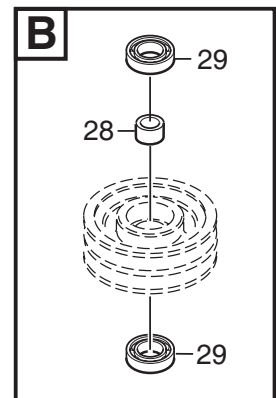
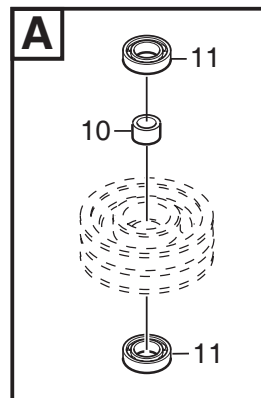
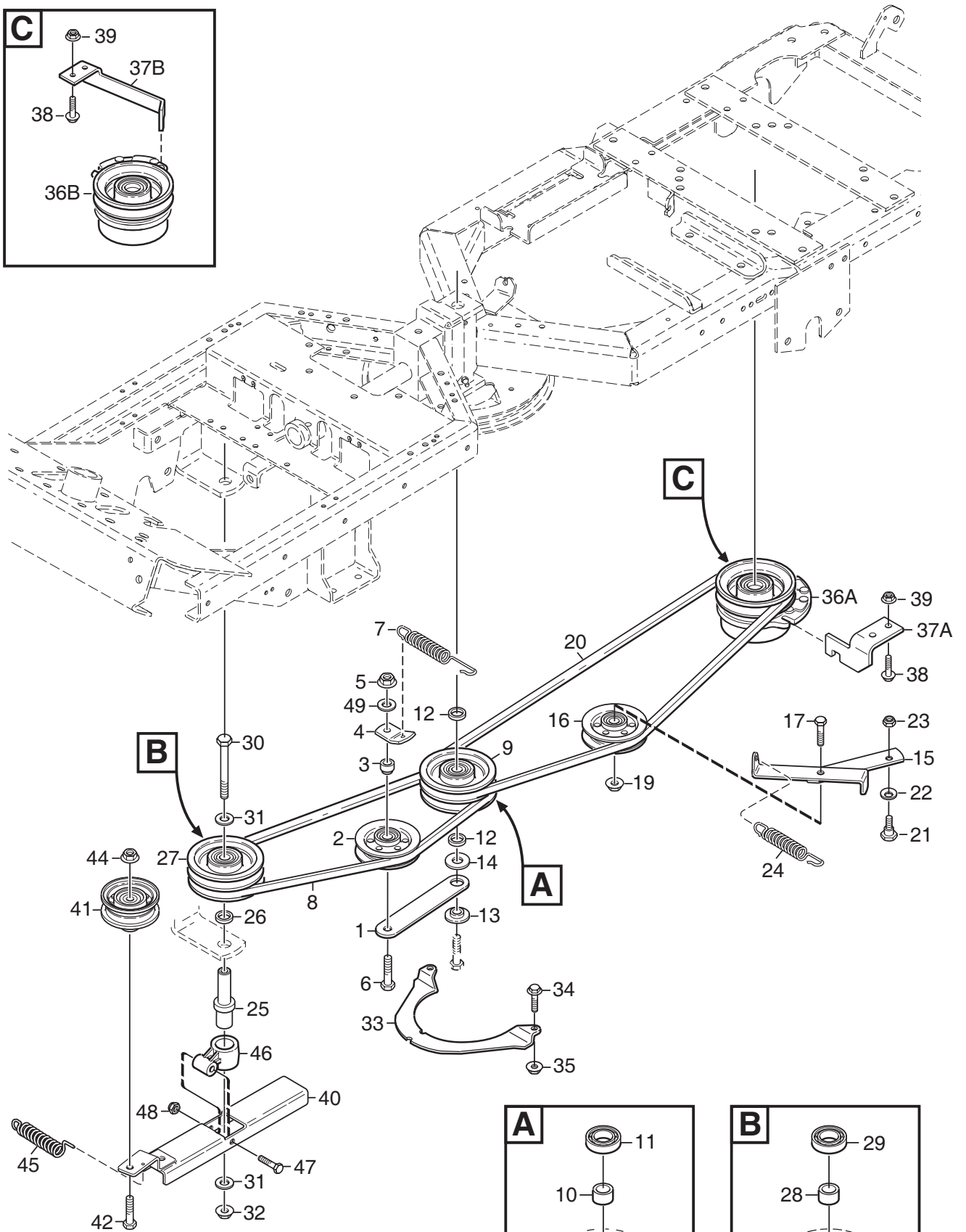
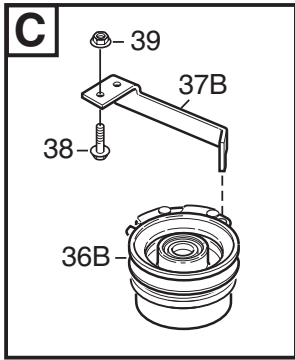


| Utgåva Issue 2009- 11 | | Bildnr Picture No 1805B | | PARK PRO 4WD TRANSMISSION (hydrauliska delar) | | PARK PRO 4WD TRANSMISSION (hydraulic parts) | | Sida Page 182 | |
|-----------------------------|----------------|-------------------------------|------|---|-------------------|---|---------------------------|---------------------|---------------------|
| Pos. Fig. | Antal/Quantity | | | | Art nr Part No | Benämning | Description | Sats Kit | Anmärkning Notes |
| | 6241 | 6242 | 6244 | 6246 | | | | | |
| 1 | 1 | | | | 1134-5810-01 | Adapter | Hydraulic coupling | | 3/4" x 3/4" |
| 1A | 1 | | | | 9404-0029-01 | • O-ring..... | • O-ring | | |
| 2 | 1 | | | | 1134-5754-01 | Hydraulslang | Hydraulic tube..... | | |
| 3 | 1 | | | | 1134-5808-01 | Skärringskoppling | Hydraulic coupling | | 3/4" |
| 3A | 1 | | | | 9404-0029-01 | • O-ring..... | • O-ring | | |
| 4 | 1 | | | | 1134-5814-01 | Hydraulrör | Hydraulic tube..... | | |
| 5 | 1 | | | | 1134-5809-01 | Adapter | Hydraulic coupling | | 3/4" x 9/16" |
| 5A | 1 | | | | 9404-0029-01 | • O-ring..... | • O-ring | | |
| 6 | 1 | | | | 1134-5759-01 | Hydraulslang | Hydraulic tube..... | | |
| 10 | 1 | | | | 1134-5807-01 | Vinkeladapter | Hydraulic coupling | | 3/4" x 3/4" |
| 10A | 1 | | | | 9404-0029-01 | • O-ring..... | • O-ring | | |
| 11 | 1 | | | | 1134-5875-01 | Skärringskoppling | Hydraulic coupling | | 3/4" |
| 11A | 1 | | | | 9404-0029-01 | • O-ring..... | • O-ring | | |
| 13 | 1 | | | | 9578-0028-01 | Rörklammer..... | Tube clamp..... | | |
| 14 | 1 | | | | 9959-0825-16 | Skruv | Screw | | |
| 15 | 1 | | | | 1134-5753-01 | Hydraulslang | Hydraulic tube..... | | |
| 16 | 1 | | | | 1134-5809-01 | Adapter | Hydraulic coupling | | 3/4" x 9/16" |
| 16A | 1 | | | | 9404-0029-01 | • O-ring..... | • O-ring | | |
| 17 | 1 | | | | 1134-5758-01 | Hydraulslang | Hydraulic tube..... | | |
| 18 | 1 | | | | 1134-1565-09 | Distans | Spacer | | |
| 20 | 1 | | | | 1134-5808-01 | Skärringskoppling | Hydraulic coupling | | 3/4" |
| 20A | 1 | | | | 9404-0029-01 | • O-ring..... | • O-ring | | |
| 21 | 1 | | | | 1134-5810-01 | Adapter | Hydraulic coupling | | 3/4" x 3/4" |
| 21A | 1 | | | | 9404-0029-01 | • O-ring..... | • O-ring | | |
| 22 | 1 | | | | 1134-4282-01 | Hydraulnippel | Hydraulic nipple | | 9/16" x 9/16" |
| 22A | 1 | | | | 9404-0028-01 | • O-ring..... | • O-ring | | |
| 23 | 1 | | | | 1134-5758-02 | Hydraulslang | Hydraulic tube..... | | |
| 24 | 1 | | | | 1134-5810-01 | Adapter | Hydraulic coupling | | 3/4" x 3/4" |
| 24A | 1 | | | | 9404-0029-01 | • O-ring..... | • O-ring | | |
| 25 | 1 | | | | 1134-5760-01 | Hydraulslang | Hydraulic tube..... | | |
| 26 | 1 | | | | 1134-5819-02 | Hydraultank kpl..... | Hydraulic oil tank | | |
| 26A | 1 | | | | 1134-5965-01 | • Tanklock | • Tank cap | | |
| 26B | 1 | | | | 1134-5962-02 | • Oljefilter | • Oil filter | | |
| 26C | 1 | | | | 1134-5963-01 | • Hölje- oljefilter..... | • Cover- filter | | |
| 26D | 1 | | | | 1134-5964-01 | • Fjäder..... | • Spring | | |
| 27 | 1 | | | | 9838-9516-12 | Skruv | Screw | | |
| 29 | 3 | | | | 9578-0023-04 | Slangklämma..... | Hose clamp | | |
| 30 | 1 | | | | 9578-0023-05 | Slangklämma..... | Hose clamp | | |
| 31 | 1 | | | | 9579-0003-00 | Buntband | Cable holder | | |
| 32 | 1 | | | | 1134-6039-01 | Hydraulrör | Hydraulic pipe | | |
| 33 | 1 | | | | 1134-4948-01 | Tredobricka..... | Seal washer..... | | |
| 34 | 1 | | | | 1134-6042-01 | Snabbkoppling- hane | Quick coupling- male..... | | |



STIGA
 2212A
 SPARE PARTS

| Utgåva Issue | | Bildnr Picture No | | PARK PRO 4WD HJUL | | PARK PRO 4WD WHEELS | | Sida Page | |
|-----------------|----------------|----------------------|------|----------------------|--|-------------------------------|-------------|--------------|----------------------|
| 2009- 11 | | 2212A | | | | | | 184 | |
| Pos. Fig. | Antal/Quantity | | | | Art nr Part No | Benämning | Description | Sats Kit | Anmärkning Notes |
| | 6241 | 6242 | 6244 | 6246 | | | | | |
| 1 | 2 | | | | 1134-4844-03 Hjulnav | Wheel hub | | | |
| 2 | 2 | | | | 1134-3383-02 Kil | Key | | | |
| 3 | 2 | | | | 1134-4558-01 Fälg | Rim | | | |
| 4 | 2 | | | | 9545-0124-01 Däck | Tyre | | | 17 x 8.00 - 8 |
| 5 | 2 | | | | 9545-0500-00 Ventil | Valve | | | |
| 6 | 6 | | | | 9731-1031-22 Mutter | Nut | | | |
| 9 | 4 | | | | 1134-5797-01 • Bricka | • Washer | | | |
| 10 | 2 | | | | 9653-0002-04 • Spårryttare | • Lock ring | | | |
| 21 | 2 | | | | 1134-4844-03 Hjulnav | Wheel hub | | | |
| 22 | 2 | | | | 1134-3383-02 Kil | Key | | | |
| 23 | 2 | | | | 1134-4558-01 Fälg | Rim | | | |
| 24 | 2 | | | | 9545-0124-01 Däck | Tyre | | | 17 x 8.00 - 8 |
| 25 | 2 | | | | 9545-0500-00 Ventil | Valve | | | |
| 26 | 6 | | | | 9731-1031-22 Mutter | Nut | | | |
| 30 | 2 | | | | 9653-0002-04 Spårryttare | Lock ring | | | |
| 31 | 2 | | | | 1134-4796-01 Navkapsel | Hub cap | | | |
| 32 | 2 | | | | 9947-0540-19 Skruv | Screw | | | |
| 45 | 1 | | | | 13-0993-61 Snabbfäste kpl | Quick connections | | | Inkl. pos 9,10,46-51 |
| 46 | 1 | | | | 1134-7465-01 • Fästen kpl, vä+hö | • Attachment kit, LH+RH | | | Inkl. pos 50-51 |
| 47 | 2 | | | | 9598-2001-02 • Låsnål | • Spring pin | | | |
| 48 | 4 | | | | 1134-5686-01 • Lagerbussning | • Bearing bush | | | |
| 49 | 2 | | | | 9501-0502-00 • Smörjnippel | • Grease joint | | | |
| 50 | 2 | | | | 9898-1035-16 •• Skruv | •• Screw | | | |
| 51 | 2 | | | | 9739-1031-22 •• Mutter | •• Nut | | | |
| 99 | | | | | 9545-0203-00 Innerslang | Inner tube | | | Reservdel/spare part |



| Utgåva Issue | | Bildnr Picture No | | PARK PRO 4WD KRAFTUTTAG | | PARK PRO 4WD POWER TAKE- OFF | | Sida Page | |
|-----------------|----------------|----------------------|--|----------------------------|---------------------------|---------------------------------|-------------|---------------------|--|
| 2009- 11 | | 1807B | | | | | | 186 | |
| Pos. Fig. | Antal/Quantity | | | Art nr Part No | Benämning | Description | Sats Kit | Anmärkning Notes | |
| | 6241 6244 | 6242 6246 | | | | | | | |
| 1 | 1 | 1 | | 1134- 1730- 01 | Spännhjulssarm | Tension wheel arm | | | |
| 2 | 1 | 1 | | 1134- 3663- 01 | Spännrulle | Tension wheel | | | |
| 3 | 1 | 1 | | 1134- 1888- 05 | Distans | Spacer | | | |
| 4 | 1 | 1 | | 1134- 1893- 01 | Fjäderfäste | Spring attachment | | | |
| 5 | 1 | 1 | | 9739- 1031- 22 | Mutter | Nut | | | |
| 6 | 1 | 1 | | 9997- 1060- 12 | Skruv | Screw | | | |
| 7 | 1 | 1 | | 1134- 5713- 01 | Dragfjäder | Spring | | | |
| 8 | 1 | 1 | | 1134- 9098- 01 | Drivrem | V- belt | | | |
| 9 | 1 | 1 | | 1134- 1769- 03 | Centrumremskiva kpl. | Centre pulley assy | | = 9585- 0148- 01 | |
| 10 | 1 | 1 | | 1134- 0051- 09 | • Distans | • Spacer | | | |
| 11 | 2 | 2 | | 9549- 0019- 00 | • Kullager | • Ball bearing | | | |
| 12 | 2 | 2 | | 1134- 0052- 00 | Lagerdistans | Bearing spacer | | | |
| 13 | 1 | 1 | | 1134- 0222- 00 | Bricka | Washer | | | |
| 14 | 1 | 1 | | 9699- 0109- 02 | Planbricka | Flat washer | | | |
| 15 | 1 | 1 | | 1134- 5742- 01 | Spännarm | Tension arm | | | |
| 16 | 1 | 1 | | 1134- 3663- 01 | Spännrulle | Tension wheel | | | |
| 17 | 1 | 1 | | 9997- 1040- 16 | Skruv | Screw | | | |
| 19 | 1 | 1 | | 9739- 1031- 22 | Mutter | Nut | | | |
| 20 | 1 | 1 | | 1134- 9097- 01 | Drivrem | V- belt | | = 9585- 0147- 01 | |
| 21 | 1 | 1 | | 1134- 0240- 00 | Ansatssskruv | Shoulder screw | | | |
| 22 | 1 | 1 | | 9665- 0002- 00 | Brickfjäder | Bowed washer | | | |
| 23 | 1 | 1 | | 9747- 0831- 02 | Mutter | Lock nut | | | |
| 24 | 1 | 1 | | 1134- 5713- 03 | Fjäder | Spring | | | |
| 25 | 1 | 1 | | 1134- 5663- 01 | Axel | Shaft | | | |
| 26 | 1 | 1 | | 1134- 0052- 00 | Lagerdistans | Bearing spacer | | | |
| 27 | 1 | 1 | | 1134- 1769- 03 | Centrumremskiva kpl. | Centre pulley assy | | | |
| 28 | 1 | 1 | | 1134- 0051- 09 | • Distans | • Spacer | | | |
| 29 | 2 | 2 | | 9549- 0019- 00 | • Kullager | • Ball bearing | | | |
| 30 | 1 | 1 | | 9997- 1011- 06 | Skruv | Screw | | | |
| 31 | 2 | 2 | | 9699- 0030- 02 | Planbricka | Flat washer | | | |
| 32 | 1 | 1 | | 9739- 1031- 22 | Mutter | Nut | | | |
| 33 | 1 | 1 | | 1134- 3654- 01 | Fingerskydd | Finger guard | | | |
| 34 | 2 | 2 | | 9959- 0612- 16 | Skruv | Screw | | | |
| 35 | 2 | 2 | | 9739- 0631- 22 | Mutter | Nut | | | |
| 36A | 1 | | | 1134- 7430- 01 | Magnetkoppling | Magnet clutch | | | |
| 36B | | 1 | | 1134- 5674- 01 | Magnetkoppling | Magnet clutch | | | |
| 37A | 1 | | | 1134- 5664- 01 | Momentstag | Torque plate | | | |
| 37B | | 1 | | 1134- 6452- 01 | Momentstag | Torque plate | | | |
| 38 | 2 | 2 | | 9959- 0820- 16 | Skruv | Screw | | | |
| 39 | 2 | 2 | | 9739- 0831- 22 | Mutter | Nut | | | |
| 40 | 1 | 1 | | 1134- 5660- 01 | Spännarm | Tension arm | | | |
| 41 | 1 | 1 | | 1134- 5823- 01 | Spännrulle | Tension roller | | | |
| 42 | 1 | 1 | | 9997- 1050- 16 | Skruv | Screw | | | |
| 44 | 1 | 1 | | 9739- 1031- 22 | Mutter | Nut | | | |
| 45 | 1 | 1 | | 1134- 5824- 01 | Fjäder | Spring | | | |
| 46 | 1 | 1 | | 1134- 6314- 01 | Spännarmsfäste | Attachment | | | |
| 47 | 1 | 1 | | 9997- 0645- 12 | Skruv | Screw | | | |
| 48 | 1 | 1 | | 9747- 0631- 02 | Låsmutter | Lock nut | | | |
| 49 | 1 | 1 | | 9699- 0035- 02 | Planbricka | Flat washer | | | |