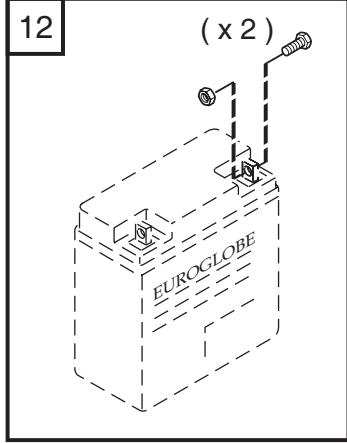
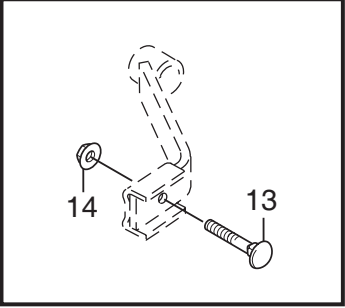
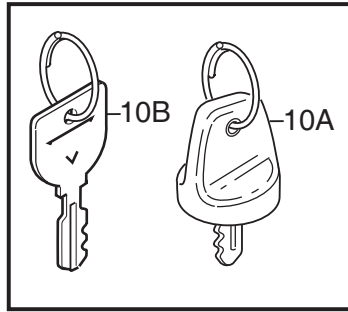
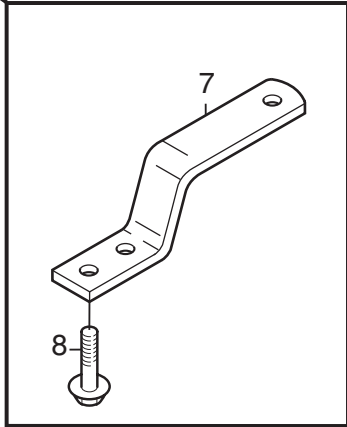
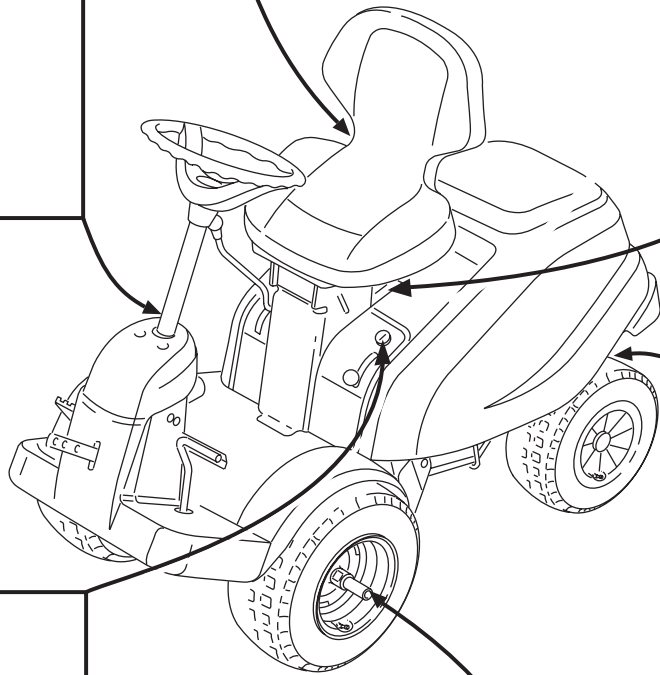
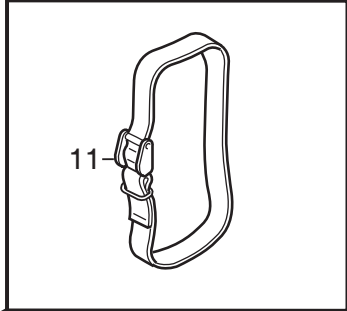
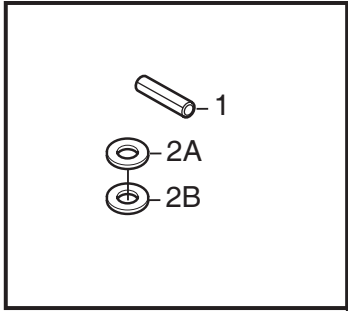
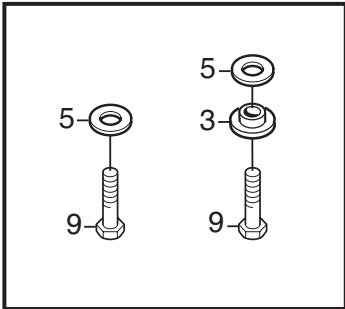
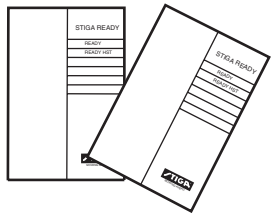


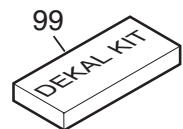
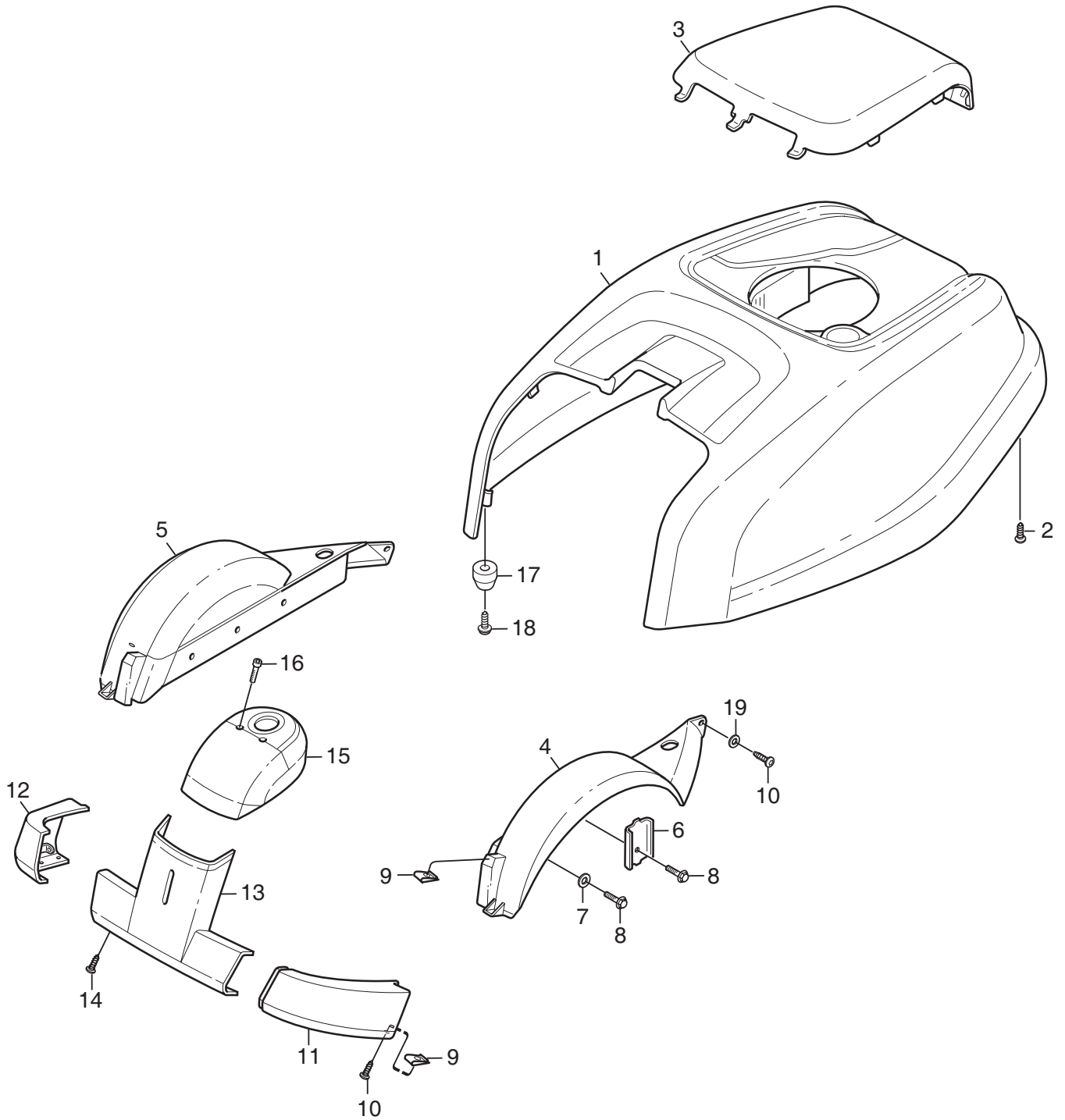
Genuine Spare Parts



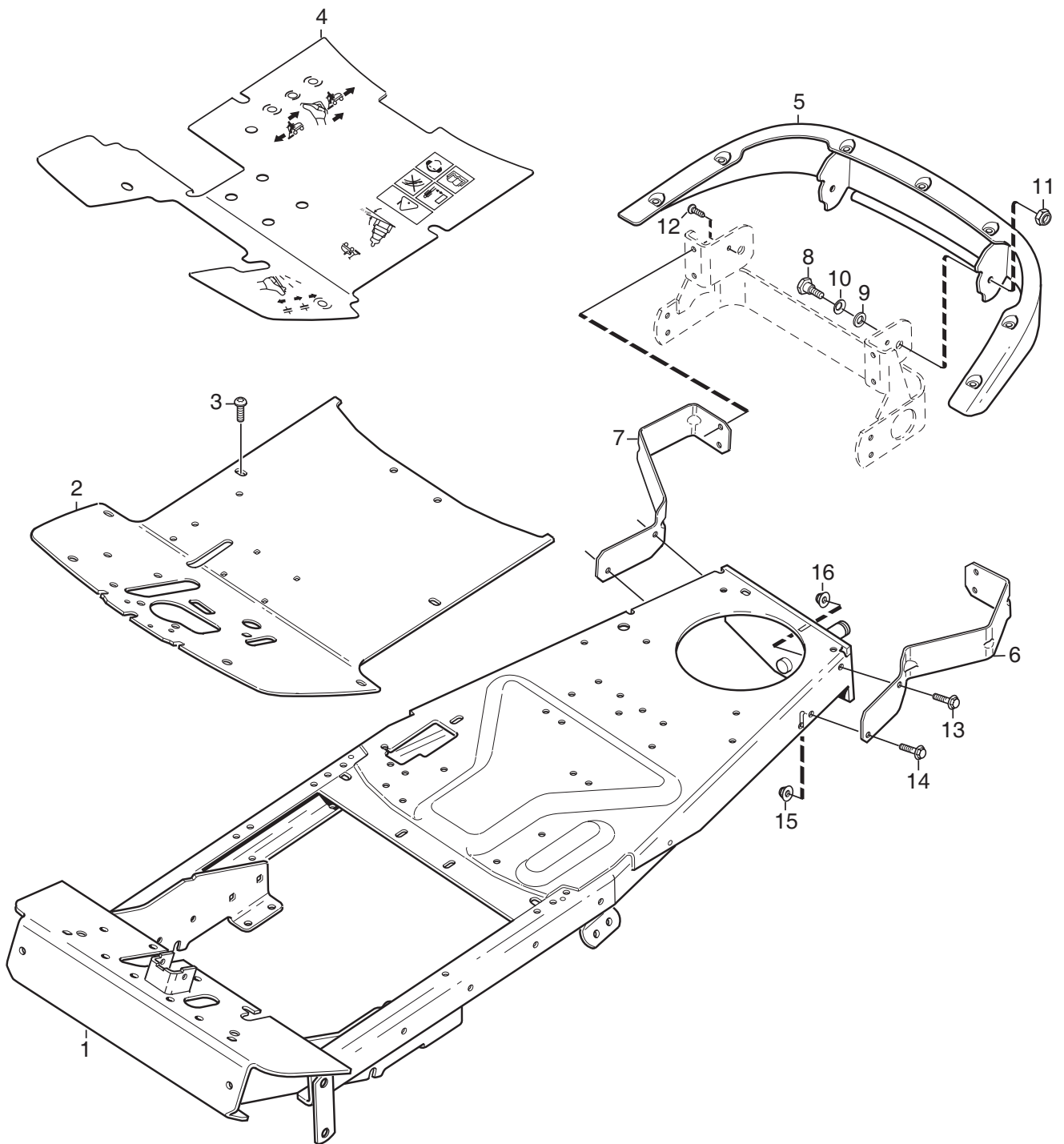
21



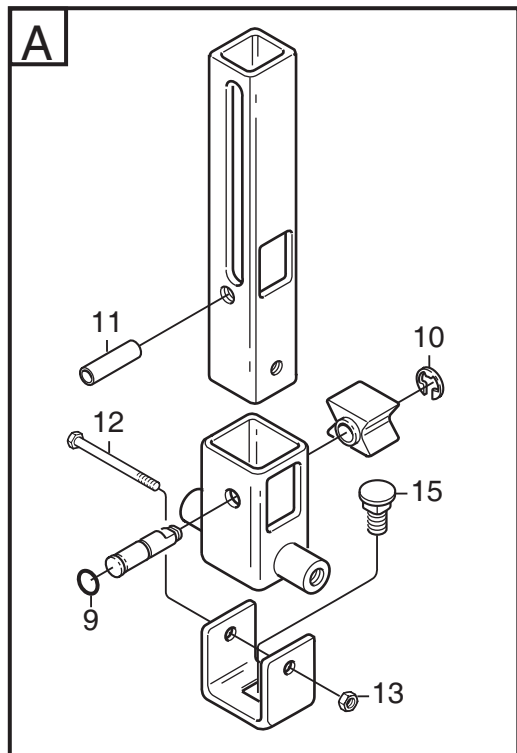
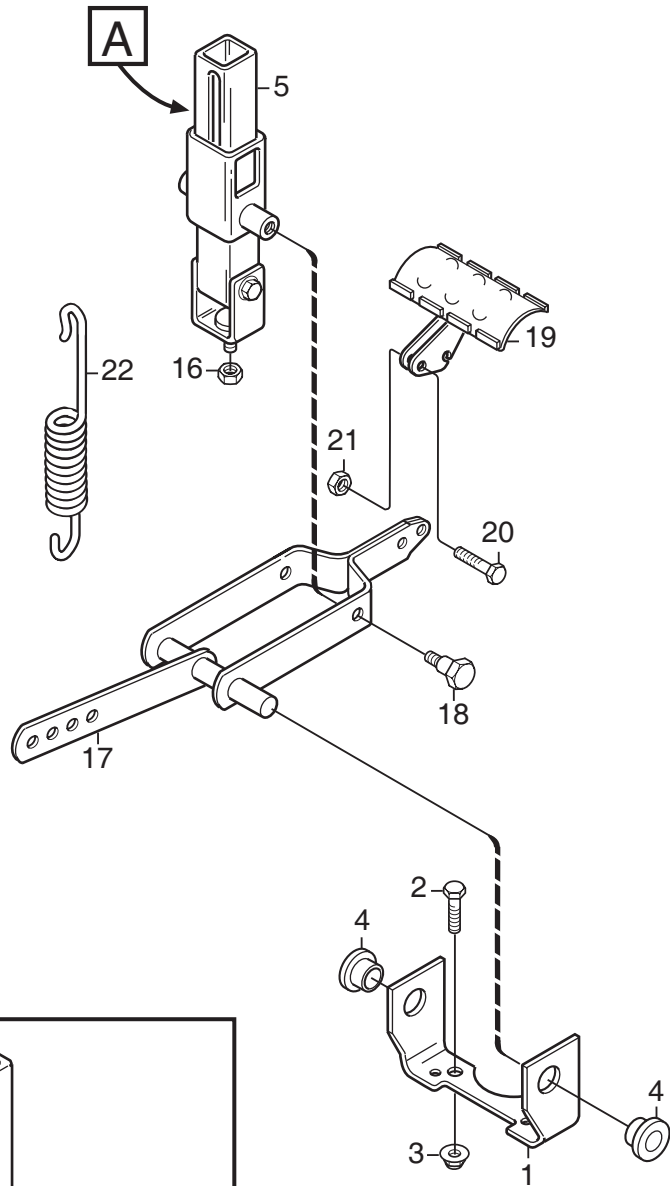
Utgåva Issue		Bildnr Picture No		READY MONTERINGSDETALJER		READY ASSEMBLY PARTS		Sida Page	
2009- 11		1637C						246	
Pos. Fig.	Antal/Quantity				Art nr Part No	Benämning	Description	Sats Kit	Anmärkning Notes
	2716 -79								
1	1				9595-0262-00	Spännstift	Locating pin		
2A	1				9699-0103-02	Shims	Flat washer		0.5 mm
2B	1				9699-0114-02	Shims	Flat washer		1.0 mm
3	2				1134-4185-01	Ansatsbricka	Flange washer		
5	4				9699-0056-02	Planbricka	Flat washer		
7	1				1134-4627-01	Dragögla	Tow bar		
8	2				9959-0820-16	Skruv	Screw		
9	4				9997-0820-16	Skruv	Screw		
10A	1				1134-4734-01	Tändningsnyckel	Ignition key		
10B	1				1134-6125-01	Tändningsnyckel	Ignition key		
11	1				1134-5245-01	Batterirem	Battery strap		
12	1				1134-6113-01	Batteriskruvar	Battery screws		
13	2				9898-1035-16	Skruv	Screw		
14	2				9739-1031-22	Mutter	Nut		
21	1				8211-0034-90	Bruksanvisning	Owner's manual		
21	1				8211-0612-90	Monteringsanvisning	Assy instructions		
21	1				8211-0701-91	Säkerhetsföreskrifter	Safety regulations		
21	1				8211-0950-90	Garantikort	Warranty card		



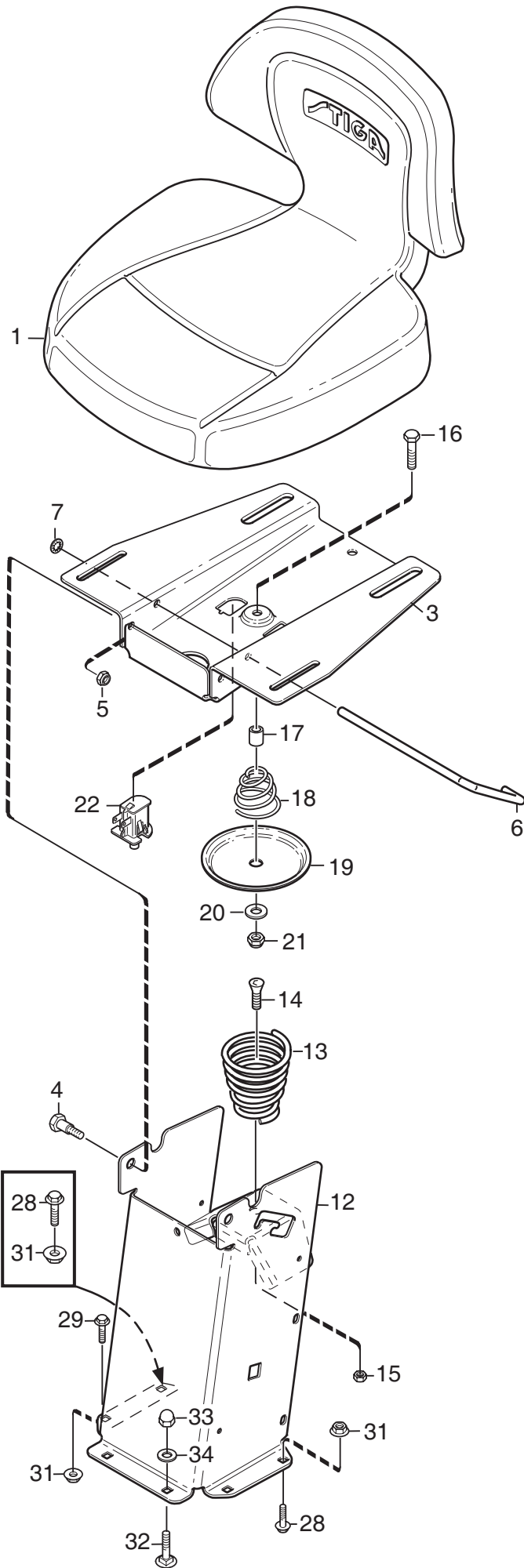
Utgåva Issue		Bildnr Picture No		READY KAROSS		READY BODY WORK		Sida Page	
2009- 11		1641A						248	
Pos. Fig.	Antal/Quantity				Art nr Part No	Benämning	Description	Sats Kit	Anmärkning Notes
	2716 -79								
1	1				1134-5283-01	Motorhuv- grå.....	Engine hood- grey		
2	7				9838-9530-12	Skruv	Screw		
3	1				1134-5284-01	Motorlucka- gul	Engine cover- yellow		
4	1				1134-5307-01	Stänkskärm- vä, grå	Mud guard- LH, grey		
5	1				1134-5307-02	Stänkskärm- hö, grå	Mud guard- RH, grey.....		
6	2				1134-0225-00	Stödplåt	Support plate		
7	4				9699-0056-02	Planbricka.....	Flat washer.....		
8	6				9945-0816-16	Skruv	Screw		
9	4				1134-4176-01	Clips	Clips		
10	4				9893-0616-16	Skruv	Screw.....		
11	1				1134-5306-01	Stötfångare, front- vä.....	Bumper, front- LH		
12	1				1134-5306-02	Stötfångare, front- hö	Bumper, front- RH		
13	1				1134-5305-01	Front- nedre	Front plate- lower		
14	6				9893-0616-16	Skruv	Screw		
15	1				1134-5304-01	Front- övre	Front- upper		
16	2				9946-0525-16	Skruv	Screw.....		
17	2				1134-4790-02	Styrning	Hood guide		
18	2				9838-9530-12	Skruv	Screw		
19	2				9699-0060-02	Planbricka.....	Flat washer.....		
99	1				1134-5591-02	Dekalsats	Label kit		



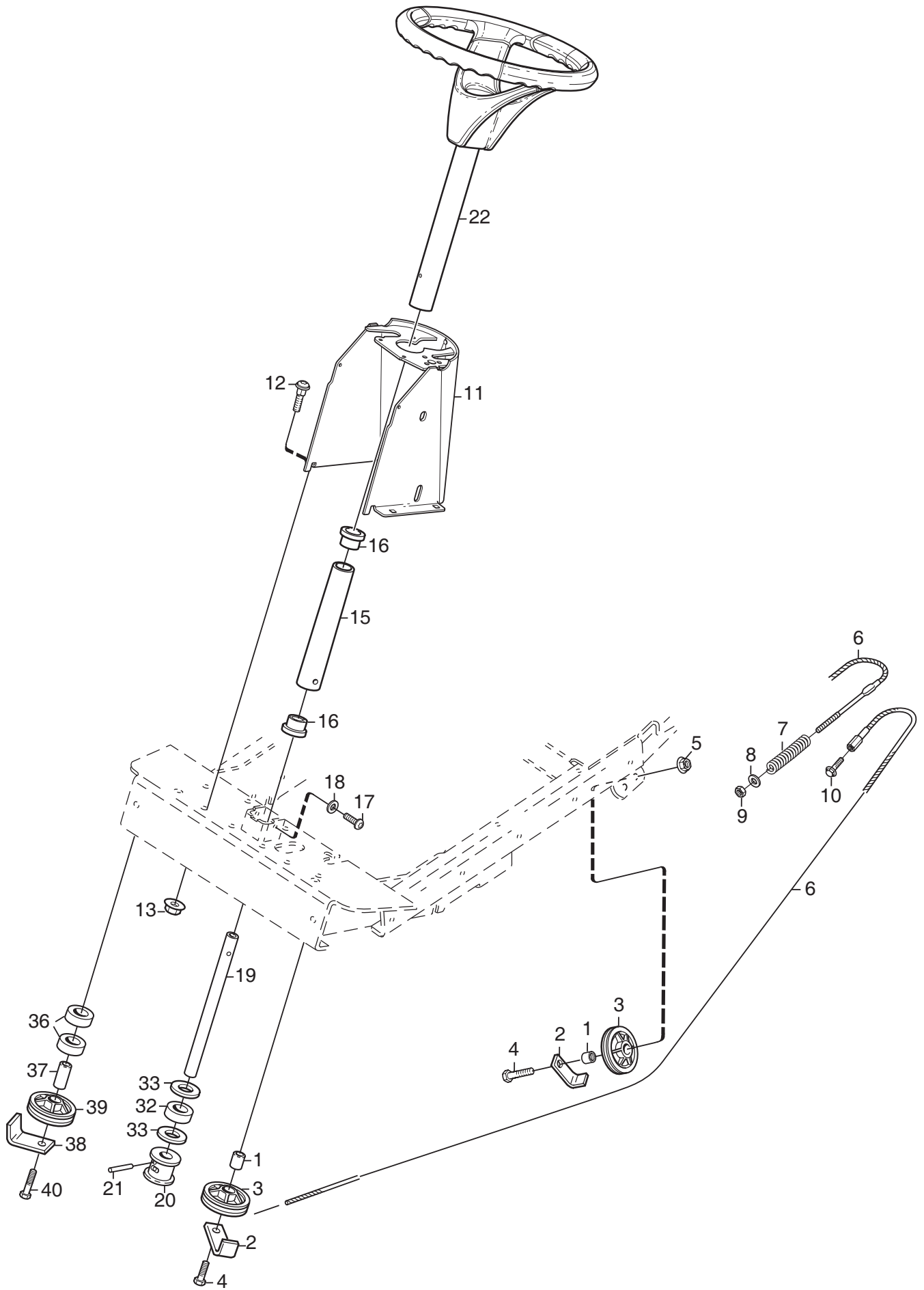
Utgåva Issue		Bildnr Picture No		READY RAM		READY FRAME		Sida Page	
2009- 11		1642B						250	
Pos. Fig.	Antal/Quantity				Art nr Part No	Benämning	Description	Sats Kit	Anmärkning Notes
	2716 -79								
1	1				1134-6635-01 Ram.....	Frame.....			
2	1				1134-5293-01 Durk.....	Floor plate.....			
3	2				9893-0616-16 Skruv.....	Screw.....			
4	1				1134-5339-03 Durkmatta.....	Floor mat.....			
5	1				1134-5453-01 Stötfångare- bak.....	Bumper-rear.....			
6	1				1134-6630-01 Stag- vä.....	Attachment- LH.....			
7	1				1134-6630-02 Stag- hö.....	Attachment- RH.....			
8	2				1134-0240-00 Ansatsskruv.....	Shoulder screw.....			
9	2				1134-4242-01 Distansbricka.....	Spacer washer.....			
10	2				9694-0001-00 Fjäderbricka.....	Washer.....			
11	2				9747-0831-02 Mutter.....	Lock nut.....			
12	2				9943-0516-16 Skruv.....	Screw.....			
13	2				9959-0820-16 Skruv.....	Screw.....			
14	2				9959-0825-16 Skruv.....	Screw.....			
15	1				9739-0831-22 Mutter.....	Nut.....			
16	3				9739-0831-22 Mutter.....	Nut.....			



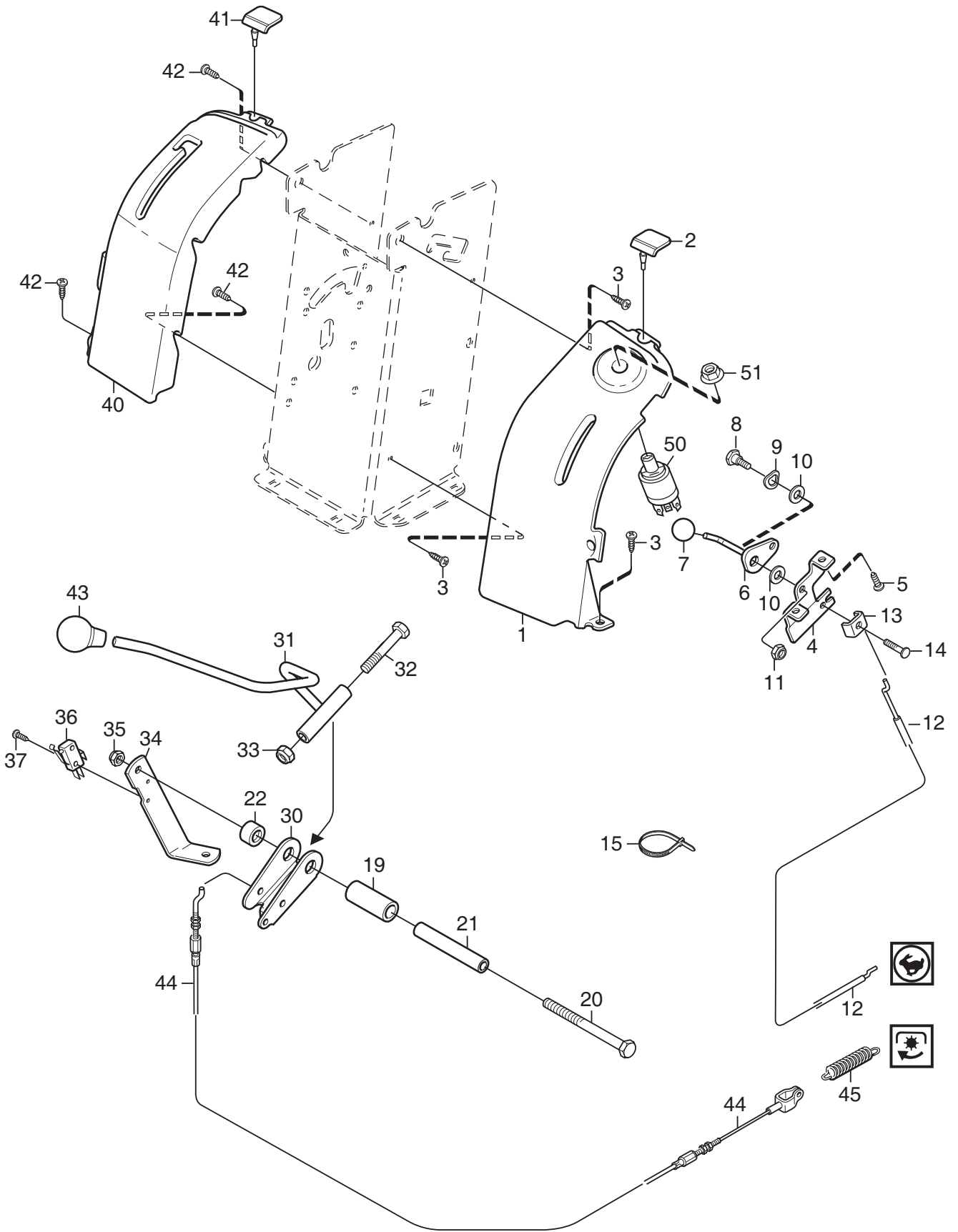
Utgåva Issue		Bildnr Picture No		READY REDSKAPSLYFT		READY LIFTING DEVICE		Sida Page	
2009- 11		1151C						252	
Pos. Fig.	Antal/Quantity				Art nr Part No	Benämning	Description	Sats Kit	Anmärkning Notes
	2716 -79								
1	1				1134-4117-01 Fäste	Bracket			
2	2				9959-1025-16 Skruv	Screw			
3	2				9739-1031-22 Mutter	Nut			
4	2				1134-2684-01 Lager	Bearing			
5	1				1134-4945-01 Lyftspärr kpl	Lift catch assy			
9	1				9404-0027-01 • O-ring	• O-ring			
10	1				9650-0039-04 • Seegersäkring	• Lock ring			
11	1				9595-0276-01 • Spännstift	• Locating pin			
12	1				9997-0640-12 • Skruv	• Screw			
13	1				9747-0631-02 • Låsmutter	• Lock nut			
15	1				9897-0820-16 • Skruv	• Screw			
16	1				9747-0831-02 Mutter	Lock nut			
17	1				1134-4860-01 Lyftgaffel	Lift fork			
18	2				1134-0240-00 Ansätsskruv	Shoulder screw			
19	1				1134-4938-01 Lyftpedal	Lift pedal			
20	2				9997-0625-16 Skruv	Screw			
21	2				9739-0631-22 Mutter	Nut			
22	1				4231-0013-00 Fjäder	Spring			



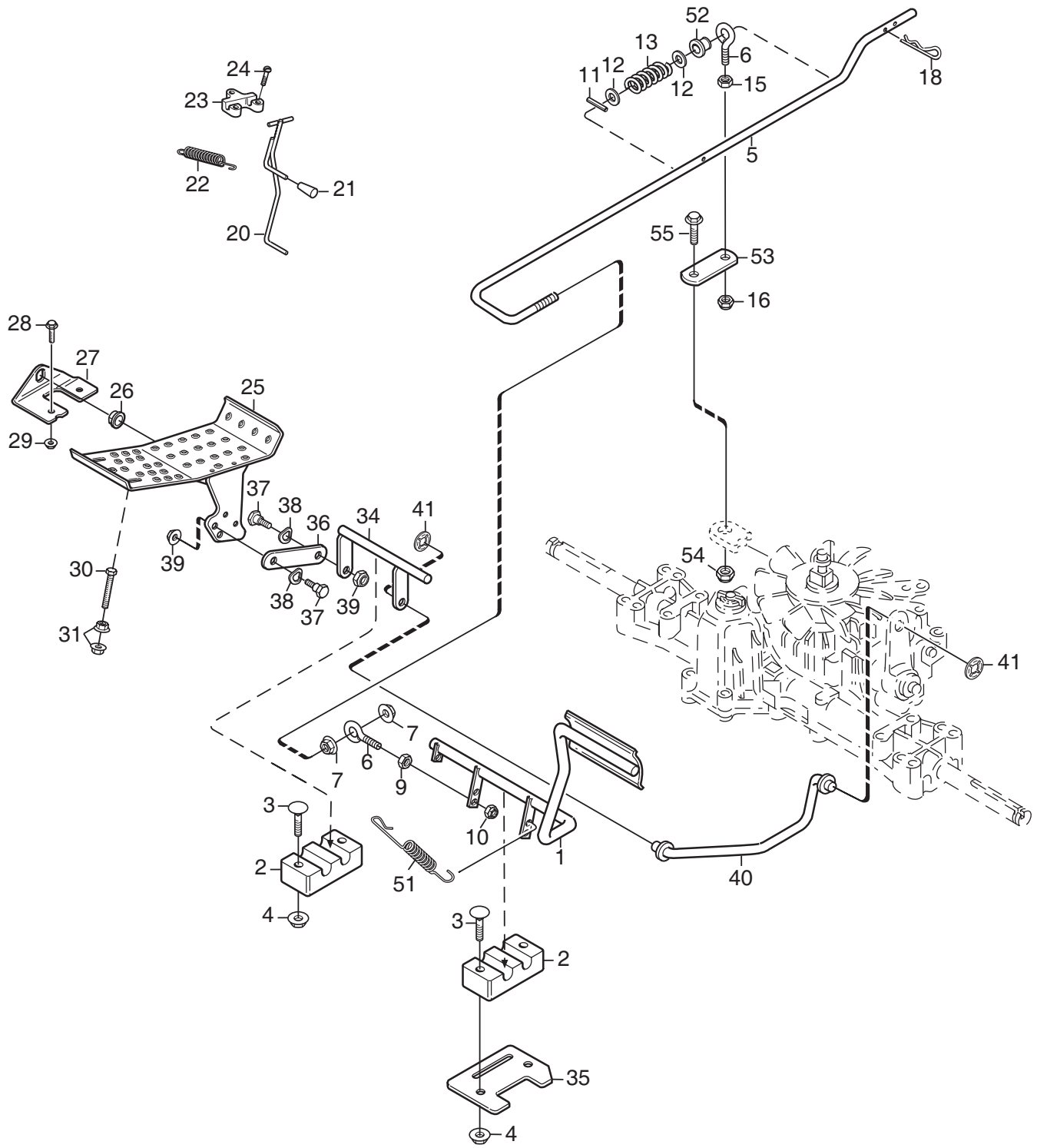
Utgåva Issue		Bildnr Picture No		READY SITS		READY SEAT		Sida Page	
2009- 11		1652B						254	
Pos. Fig.	Antal/Quantity				Art nr Part No	Benämning	Description	Sats Kit	Anmärkning Notes
	2716 -79								
1	1				1134-5506-01 Sits	Seat			
3	1				1134-5301-01 Sitsplatta	Seat plate			
4	2				1134-0240-00 Ansatsskruv	Shoulder screw			
5	2				9747-0831-02 Mutter	Lock nut			
6	1				1134-5454-01 Spärr	Catch			
7	1				9675-0012-02 Starlock	Locking washer			
12	1				1134-5296-04 Sitskonsol- gul	Seat bracket- yellow			
13	1				1134-4256-01 Sitsfjäder	Seat spring			
14	1				9924-1235-19 Skruv	Screw			
15	1				9747-1231-02 Låsmutter	Lock nut			
16	1				9997-0840-16 Skruv	Screw			
17	1				1134-1565-06 Distans	Spacer			
18	1				1134-5302-01 Fjäder	Spring			
19	1				1134-5299-01 Tryckplatta	Push plate			
20	1				9699-0090-02 Planbricka	Flat washer			
21	1				9747-0831-02 Mutter	Lock nut			
22	1				1134-3156-02 Brytare (grå)	Switch (grey)			
28	3				9959-0820-16 Skruv	Screw			L = 20 mm
29	1				9959-0825-16 Skruv	Screw			L = 25 mm
31	4				9739-0831-22 Mutter	Nut			
32	2				9897-0820-16 Skruv	Screw			
33	2				9757-0821-02 Hattmutter	Cap nut			
34	2				9699-0090-02 Planbricka	Flat washer			



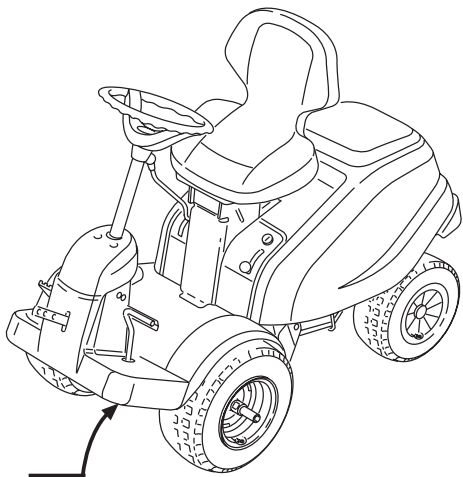
Utgåva Issue		Bildnr Picture No		READY STYRNING		READY STEERING		Sida Page	
2009- 11		1653						256	
Pos. Fig.	Antal/Quantity				Art nr Part No	Benämning	Description	Sats Kit	Anmärkning Notes
	2716 -79								
1	3			1134-0041-01	Linhjulshylsa	Bushing.....			
2	3			1134-0046-00	Linhållare.....	Wire clamp.....			
3	1			1134-9025-01	Linhjul- sats	Steering pulley- kit		Sats 2 st/kit of 2	
4	3			9997-1040-16	Skruv.....	Screw.....			
5	2			9739-1031-22	Mutter.....	Nut.....			
6	1			1134-2032-04	Styrwire.....	Steering cable			
7	1			1134-1310-01	Tryckfjäder.....	Compression spring.....			
8	1			9699-0056-02	Planbricka.....	Flat washer.....			
9	1			9747-0831-02	Mutter.....	Lock nut.....			
10	1			9959-0820-16	Skruv.....	Screw.....			
11	1			1134-5349-03	Styrkonsol- grå	Steering console- grey			
12	4			9897-0820-16	Skruv.....	Screw.....			
13	4			9739-0831-22	Mutter.....	Nut.....			
15	1			1134-1305-05	Rattrör- nedre	Steering column- lower			
16	2			1134-1901-01	Lager	Bearing.....			
17	2			9893-0616-16	Skruv.....	Screw.....			
18	2			9699-0060-02	Planbricka.....	Flat washer.....			
19	1			1134-5495-01	Rattstång	Steering rod			
20	1			1134-1933-01	Styrrulle.....	Steering pulley			
21	1			9595-0262-00	Spännstift	Locating pin			
22	1			1134-5496-01	Ratt.....	Steering wheel			
32	1			1134-3047-01	Distans	Spacer.....			
33	2			9699-0104-02	Bricka	Washer.....			
36	2			1134-3047-01	Distans	Spacer.....			
37	1			1134-0041-05	Hylsa	Bushing.....			
38	1			1134-0046-00	Linhållare.....	Wire clamp.....			
39	1			1134-9025-01	Linhjul- sats	Steering pulley- kit		Sats 2 st/kit of 2	
40	1			9997-1060-12	Skruv.....	Screw.....			



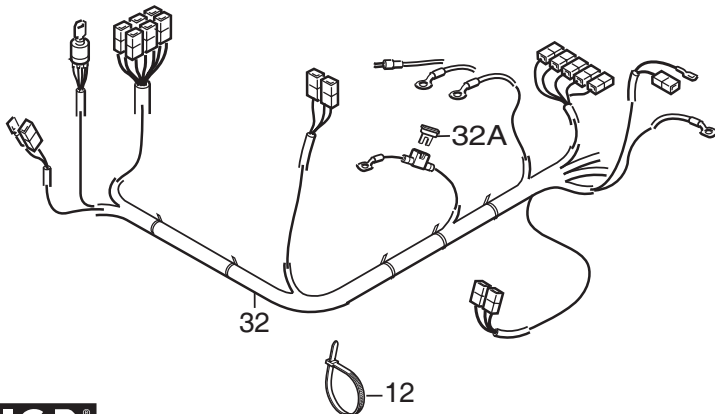
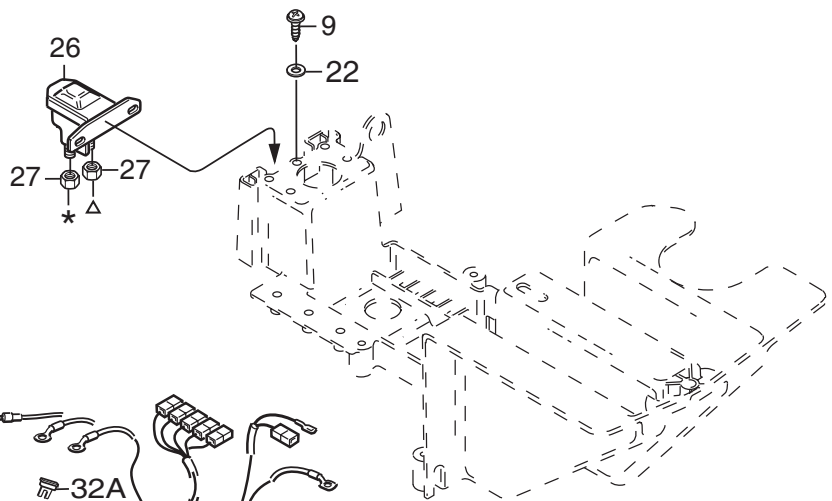
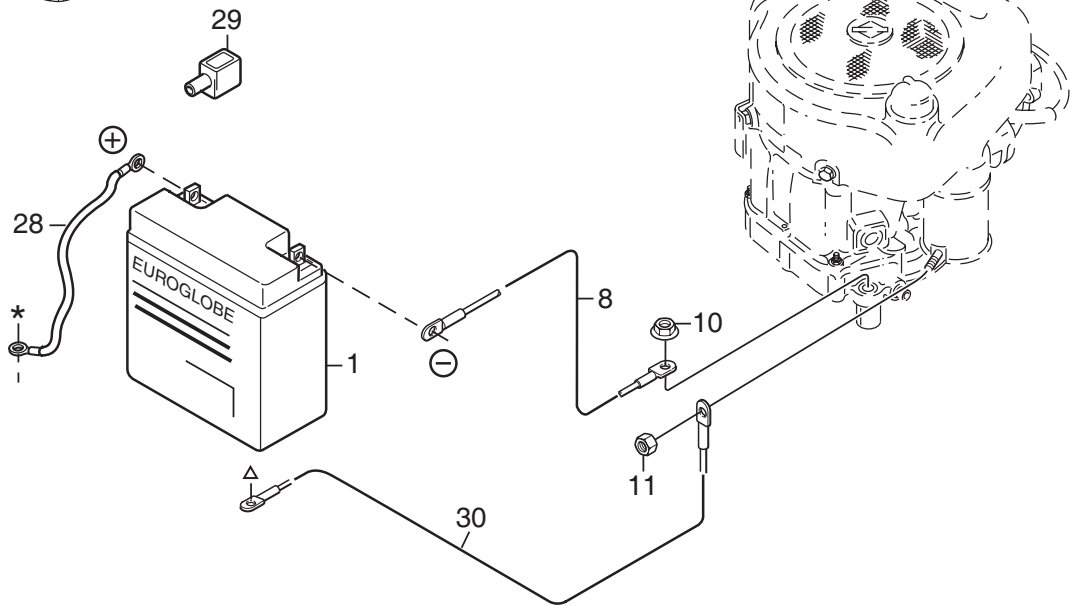
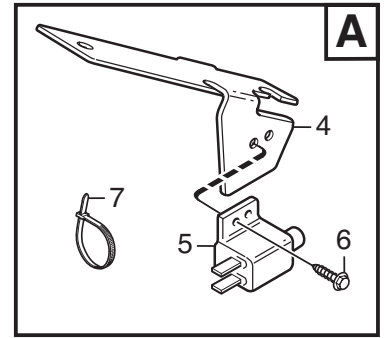
Utgåva Issue		Bildnr Picture No		READY HANDREGLAGE		READY HAND CONTROLS		Sida Page	
2009- 11		1655A						258	
Pos. Fig.	Antal/Quantity				Art nr Part No	Benämning	Description	Sats Kit	Anmärkning Notes
	2716 -79								
1	1				1134-5286-01	Reglagepanel- vä	Control panel- LH		
2	2				1134-5531-01	Dämpare	Absorber		
3	3				9893-0616-16	Skruv	Screw		
4	1				1134-5357-01	Fäste	Bracket		
5	2				9838-9516-12	Skruv	Screw		
6	1				1134-4077-01	Gasreglage	Throttle control		
7	1				1134-4078-01	Knopp	Knob		
8	1				1134-0240-00	Ansatssskruv	Shoulder screw		
9	1				9694-0001-00	Fjäderbricka	Washer		
10	2				1134-4242-01	Distansbricka	Spacer washer		
11	1				9747-0831-02	Mutter	Lock nut		
12	1				1134-1597-13	Gaswire	Throttle cable		
13	1				9500-9991-00	Wireklämma	Cable clamp		
14	1				9943-0516-16	Skruv	Screw		
15	1				9579-0003-00	Buntband	Cable holder		
19	1				1134-5508-01	Reglagehylsa	Control sleeve		
20	1				9997-0812-02	Skruv	Screw		
21	1				1134-5274-02	Distans	Spacer		
22	1				1134-3047-01	Distans	Spacer		
30	1				1134-5271-01	Reglagefäste	Control bracket		
31	1				1134-5276-01	Reglagespak	Control lever		
32	1				9997-0890-12	Skruv	Screw		
33	1				9747-0831-02	Mutter	Lock nut		
34	1				1134-5356-01	Stag	Strut		
35	1				9747-0831-02	Mutter	Lock nut		
36	1				9400-0312-01	Mikrobrytare	Micro switch		
37	2				9840-7716-16	Skruv	Screw		
40	1				1134-5285-02	Reglagepanel- hö	Control panel- RH		
41	2				1134-5531-01	Dämpare	Absorber		
42	4				9893-0616-16	Skruv	Screw		
43	1				1134-2551-01	Reglageknopp	Knob		
44	1				1134-3573-06	Kraftuttagwire	PTO cable		
45	1				1134-1242-02	Fjäder	Spring		
50	1				1134-4093-01	Tändningslås	Ignition switch		
51	1				1134-4749-01	Mutter	Nut		



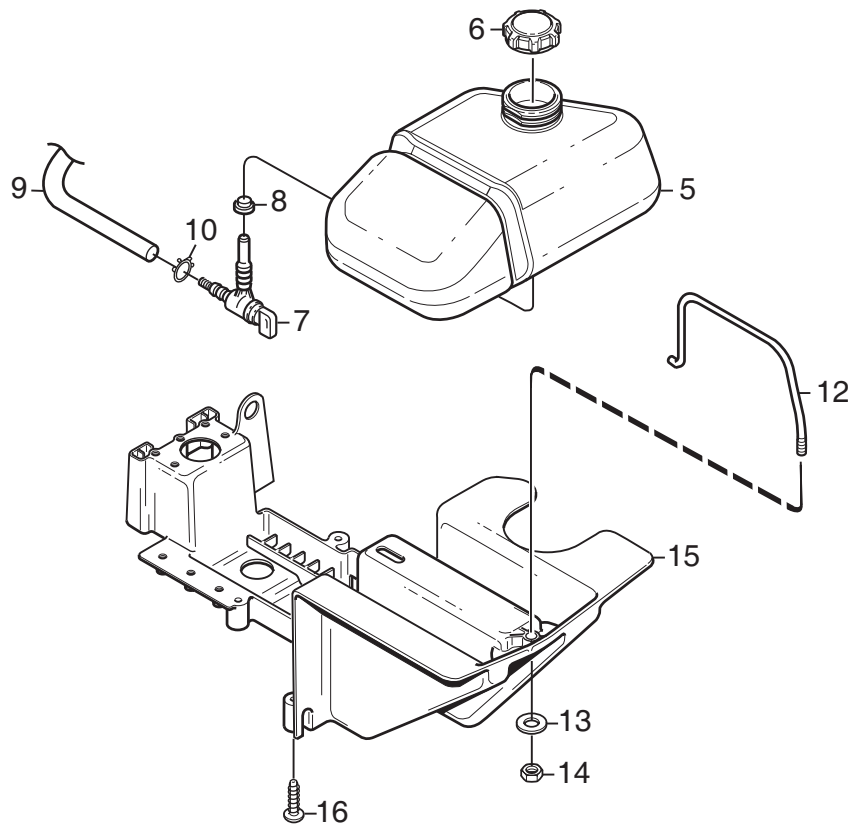
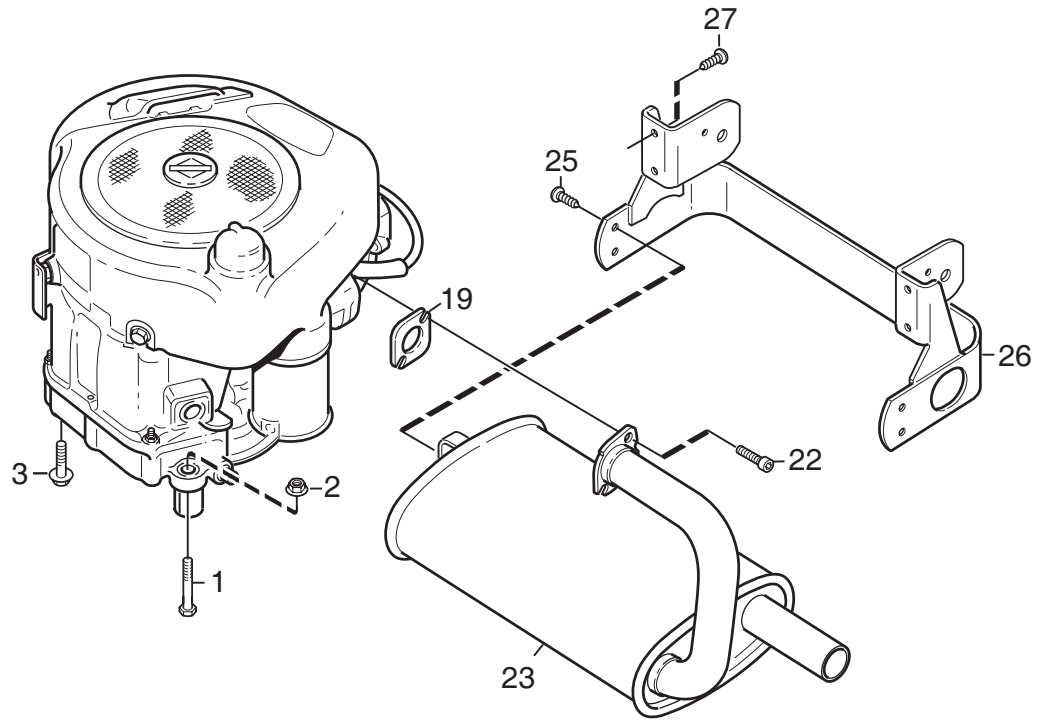
Utgåva Issue		Bildnr Picture No		READY FOTREGLAGE		READY FOOT CONTROLS		Sida Page	
2009- 11		1645B						260	
Pos. Fig.	Antal/Quantity				Art nr Part No	Benämning	Description	Sats Kit	Anmärkning Notes
	2716 -79								
1	1				1134-4802-01	Pedal	Pedal		
2	2				1134-4624-01	Lager	Bearing		
3	4				9897-0640-12	Skruv	Screw		
4	4				9739-0631-22	Mutter	Nut		
5	1				1134-4949-01	Kopplingsstång	Clutch rod		
6	2				1134-2138-01	Skruvögla	Eye bolt		
7	2				9739-1031-22	Mutter	Nut		
9	1				9739-0831-22	Mutter	Nut		
10	1				9747-0831-02	Mutter	Lock nut		
11	1				9595-0208-00	Spännstift	Locating pin		
12	2				9699-0035-02	Planbricka	Flat washer		
13	1				1134-4617-01	Fjäder	Spring		
15	1				9739-0831-22	Mutter	Nut		
16	1				9747-0831-02	Mutter	Lock nut		
18	1				9598-0002-02	Låsnål	Pin lock		
20	1				1134-5353-01	Bromstång	Brake rod		
21	1				1134-2786-01	Plastknopp	Plastic knob		
22	1				1131-1497-01	Fjäder	Spring		
23	1				1134-4002-01	Fäste	Brake rod attachment		
24	3				9838-9516-12	Skruv	Screw		
25	1				1134-6353-01	Drivpedal	Drive pedal		
26	2				1134-6313-01	Lager	Bearing		
27	2				1134-2700-01	Fäste	Bracket		
28	2				9959-0820-16	Skruv	Screw		
29	2				9739-0831-22	Mutter	Nut		
30	1				9997-0870-16	Skruv	Screw		
31	2				9739-0831-22	Mutter	Nut		
34	1				1134-4440-01	Axel	Shaft		
35	1				1134-4793-01	Stopplåt	Stop plate		
36	1				1134-4441-01	Stag	Link		
37	2				1134-0240-00	Ansatsskruv	Shoulder screw		
38	2				9694-0001-00	Fjäderbricka	Washer		
39	2				9747-0831-02	Mutter	Lock nut		
40	1				1134-5288-01	Reglagestång	Control rod		
41	2				9675-0012-02	Starlock	Locking washer		
51	1				4231-0013-00	Fjäder	Spring		
52	1				1134-4779-01	Plastbusning	Plastic bushing		
53	1				1134-4972-01	Bromslänk	Brake link		
54	1				9747-0831-02	Mutter	Lock nut		
55	1				9997-0820-16	Skruv	Screw		



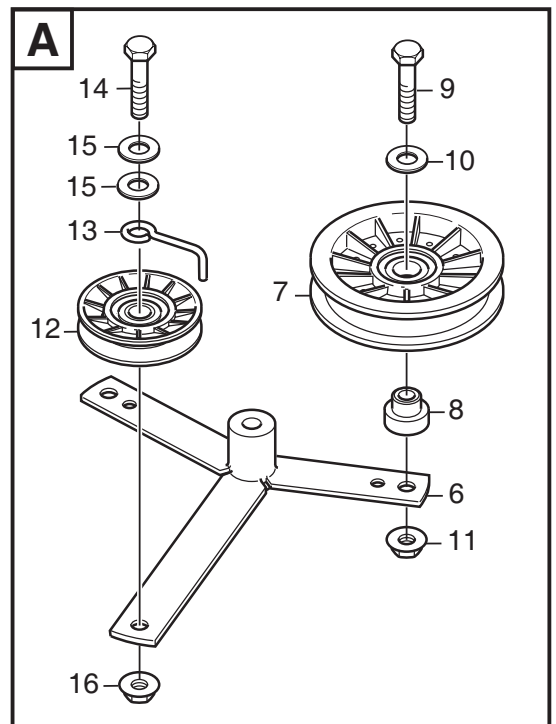
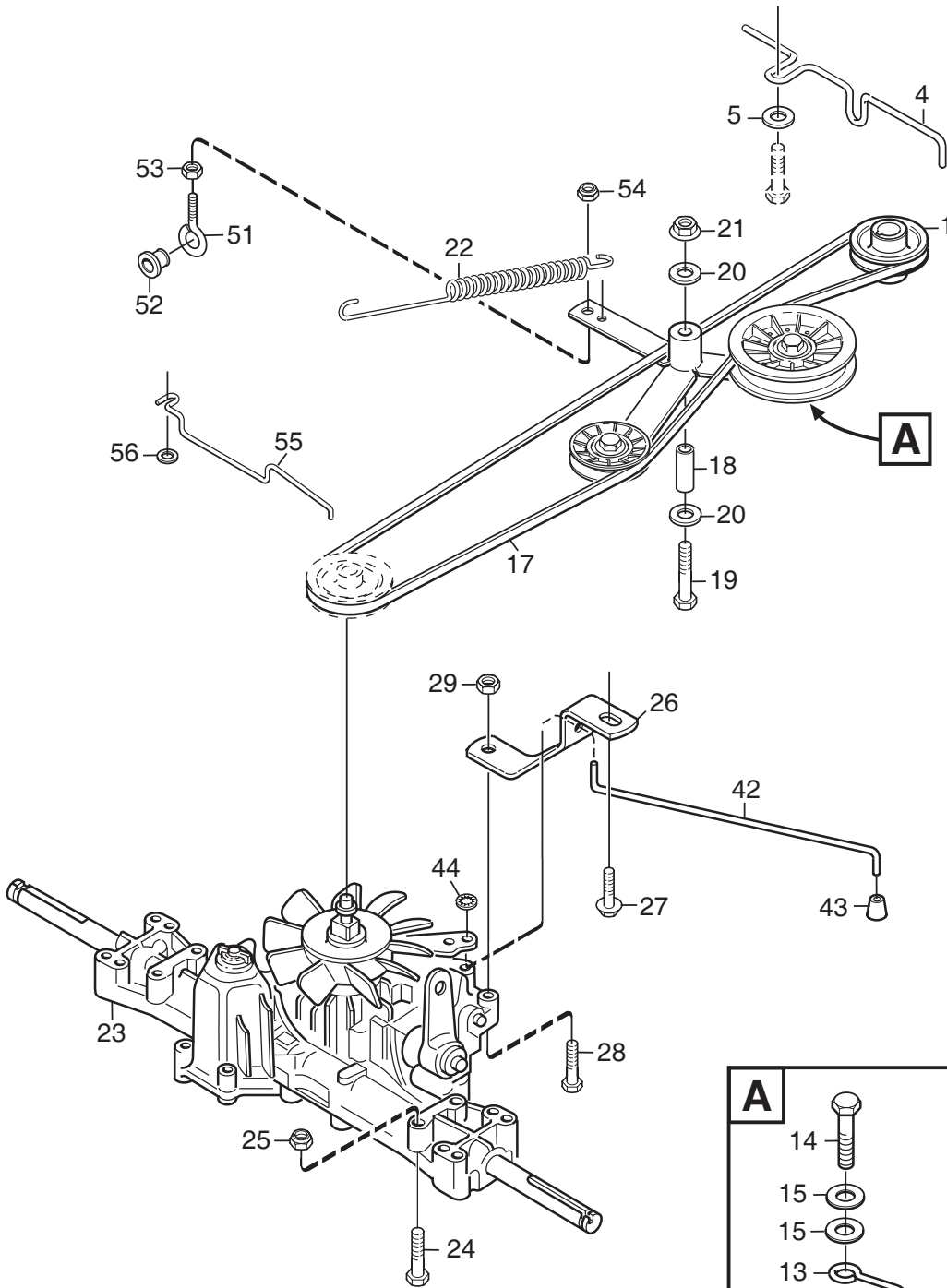
A



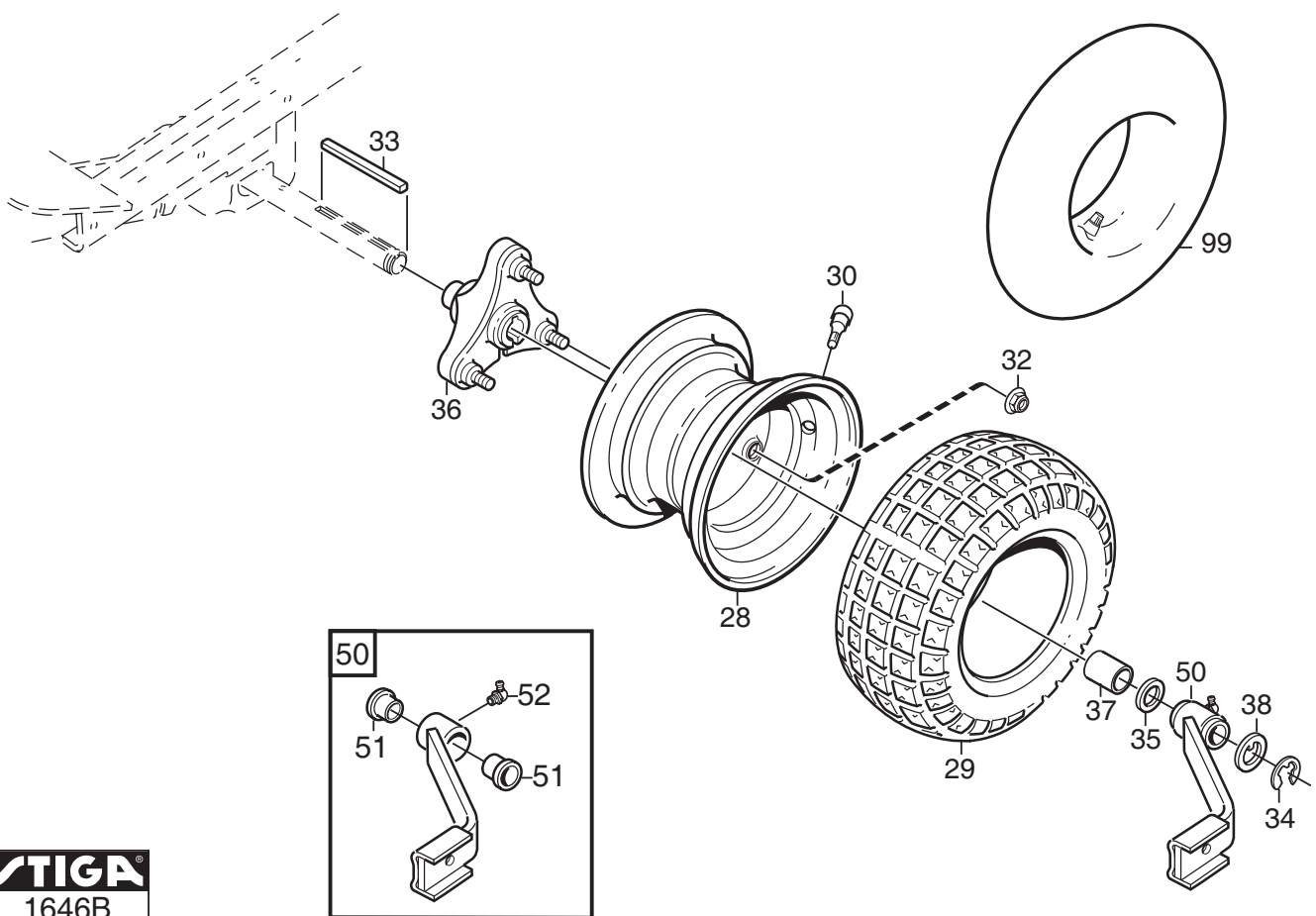
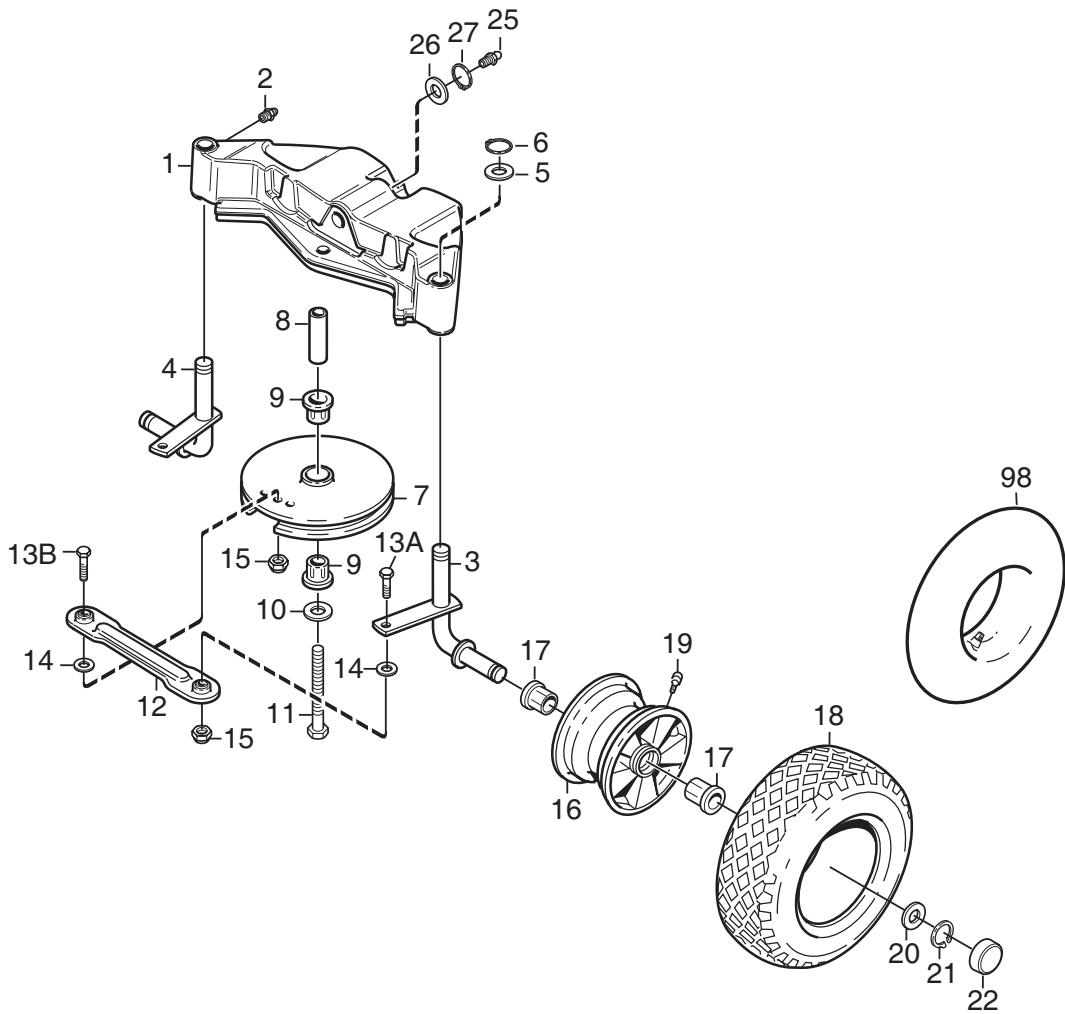
Utgåva Issue		Bildnr Picture No		READY ELUTRUSTNING		READY EL. EQUIPMENT		Sida Page	
2009- 11		1650B						262	
Pos. Fig.	Antal/Quantity				Art nr Part No	Benämning	Description	Sats Kit	Anmärkning Notes
	2716 -79								
1	1				1134-4804-01 Batteri.....	Battery			
4	1				1134-4610-01 Fäste.....	Switch bracket			
5	1				1134-3399-02 Brytare.....	Switch			
6	2				9852-8013-16 Skruv.....	Screw			
7	3				9579-0003-00 Buntband	Cable holder			
8	1				1134-2042-02 Kabel- svart.....	Cable- black.....			L = 350 mm
9	1				9838-9516-12 Skruv.....	Screw			
10	1				9747-0831-02 Mutter.....	Lock nut			
11	1				9795-3531-02 Mutter.....	Nut			1/4 UNC
12	3				9579-0003-00 Buntband	Cable holder			
22	1				9699-0060-02 Planbricka.....	Flat washer.....			
26	1				1134-2962-01 Solenoid kpl	Solenoid assy.....			
27	2				9794-5131-02 • Mutter.....	• Nut			
28	1				1134-0234-02 Batterikabel (+).....	Battery cable (+).....			L = 395 mm
29	1				1134-2310-01 Batteriskydd.....	Guard cap			
30	1				1134-4702-02 Kabel- röd	Cable- red.....			L = 480 mm
32	1				1134-5767-01 Kablage.....	Harness.....			
32A	1				1134-3496-06 • Säkring	• Fuse			20A



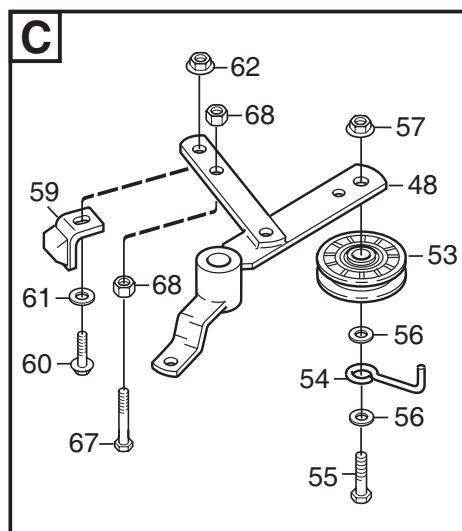
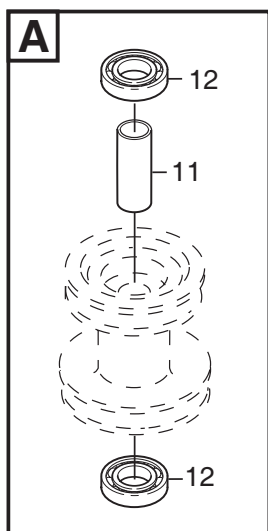
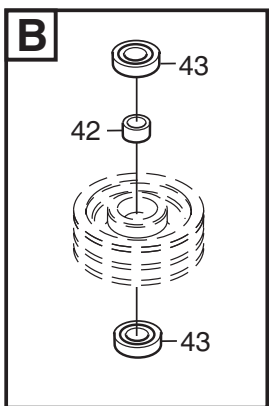
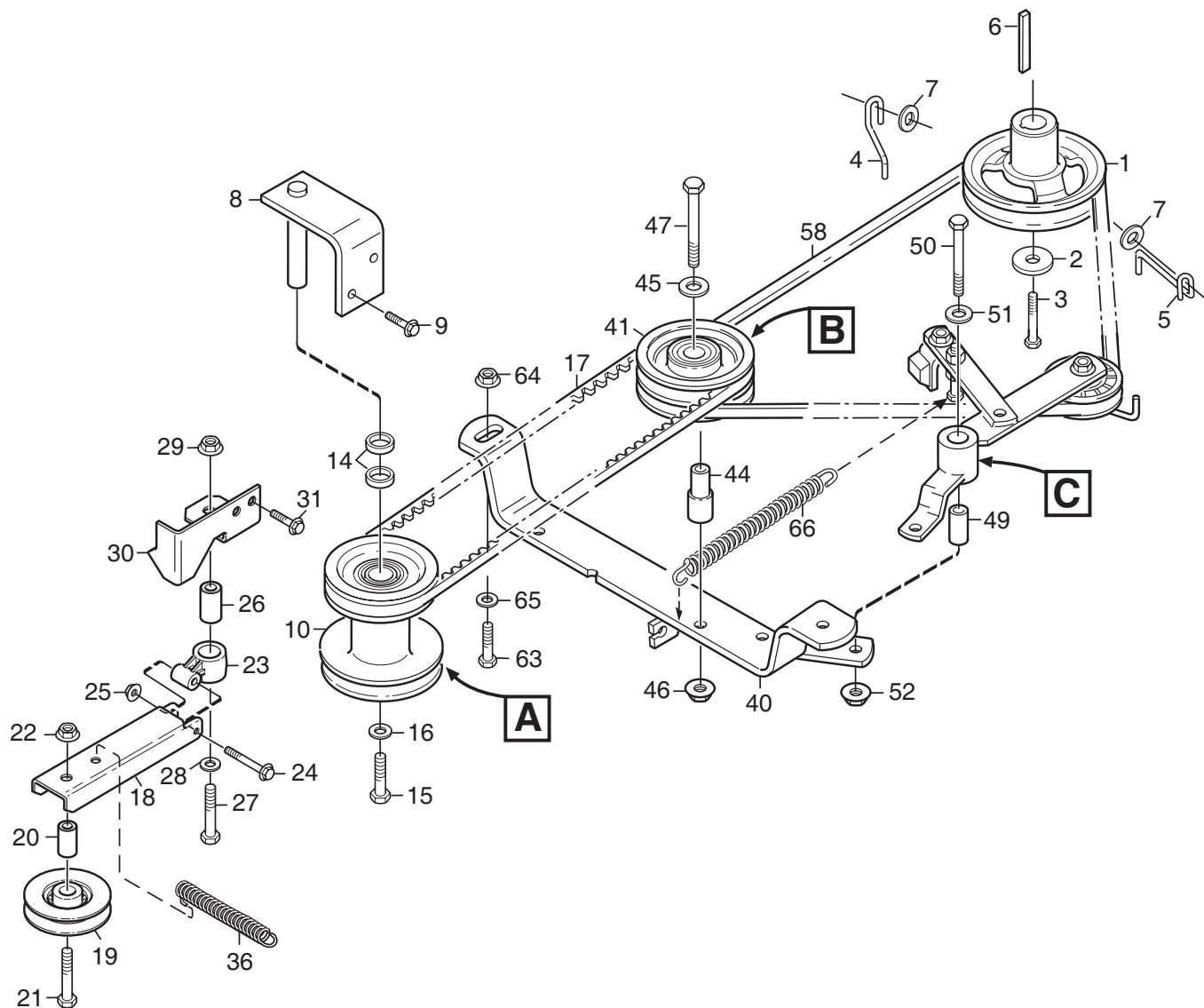
Utgåva Issue		Bildnr Picture No		READY MOTOR		READY ENGINE		Sida Page	
2009- 11		1651B						264	
Pos. Fig.	Antal/Quantity				Art nr Part No	Benämning	Description	Sats Kit	Anmärkning Notes
	2716 -79								
1	1				9997-0840-16 Skruv.....	Screw.....		L = 460 mm	
2	1				9747-0831-02 Mutter.....	Lock nut.....			
3	3				9955-3725-16 Skruv.....	Screw.....			
5	1				1134-6626-01 Bränsletank.....	Fuel tank.....			
6	1				1134-5532-01 Tanklock.....	Fuel tank cap.....			
7	1				1134-3224-01 Bensinkran.....	Fuel shut-off valve.....			
8	1				1134-3225-01 Gummibussning.....	Grommet.....			
9	1				1134-2975-05 Bensinslang.....	Fuel hose.....			
10	2				9578-0023-02 Slangklämma.....	Hose clamp.....			
12	1				1134-4808-01 Tankbygel.....	Tank clamp.....			
13	1				9699-0060-02 Planbricka.....	Flat washer.....			
14	1				9747-0631-02 Låsmutter.....	Lock nut.....			
15	1				1134-4807-02 Tank/batterihylla.....	Tank/battery shelf.....			
16	4				9829-8830-12 Skruv.....	Screw.....			
19	1				1134-0433-00 Ljuddämparpackning.....	Muffler gasket.....			
22	2				1134-4930-01 Skruv.....	Screw.....			
23	1				1134-7781-01 Ljuddämpare.....	Muffler.....			
25	2				9893-0616-16 Skruv.....	Screw.....			
26	1				1134-6699-01 Värmskydd.....	Heat guard.....			
27	4				9893-0616-16 Skruv.....	Screw.....			



Utgåva Issue		Bildnr Picture No		READY TRANSMISSION		READY TRANSMISSION		Sida Page	
2009- 11		1157G						266	
Pos. Fig.	Antal/Quantity				Art nr Part No	Benämning	Description	Sats Kit	Anmärkning Notes
	2716 -79								
1	1				1134-4611-01	Motorremskiva	Engine belt pulley		
4	1				1134-6637-01	Remstyrning	Belt guide		
5	1				9699-0056-02	Planbricka	Flat washer		
6	1				1134-4519-01	Spännarm	Tension arm		
7	1				1134-9091-01	Spännrulle	Tension roller		
8	1				1134-4614-01	Ansats	Shoulder spacer		
9	1				9997-1040-16	Skruv	Screw		
10	1				9699-0035-02	Planbricka	Flat washer		
11	1				9739-1031-22	Mutter	Nut		
12	1				1134-9027-02	Spännrulle- grå	Tension roller- grey		
13	1				1134-1795-01	Rembygel	Belt stirrup		
14	1				9997-1040-16	Skruv	Screw		
15	2				9699-0035-02	Planbricka	Flat washer		
16	1				9739-1031-22	Mutter	Nut		
17	1				1134-9064-01	Drivrem	Drive belt		= 9585- 0099- 01
18	1				1134-1565-08	Distans	Spacer		
19	1				9997-0870-16	Skruv	Screw		
20	2				9699-0056-02	Planbricka	Flat washer		
21	1				9739-0831-22	Mutter	Nut		
22	1				1134-5214-01	Fjäder	Spring		
23	1				1134-7766-01	Transaxel kpl.	Transaxle assy		Kanzaki K46CJ
24	4				9960-0860-12	Skruv	Screw		
25	4				9747-0831-02	Mutter	Lock nut		
26	1				1134-6290-01	Momentstag	Strut		
27	1				9945-0816-16	Skruv	Screw		
28	1				9997-0840-16	Skruv	Screw		
29	1				9747-0831-02	Mutter	Lock nut		
42	1				1134-5156-01	Dragstång	Pull rod		
43	1				1134-4014-01	Plastknopp	Plastic button		
44	1				9675-0009-02	Starlock	Starlock		
51	1				1134-2138-01	Skruvögla	Eye bolt		
52	1				1134-4779-01	Plastbussning	Plastic bushing		
53	1				9739-0831-22	Mutter	Nut		
54	1				9747-0831-02	Mutter	Lock nut		
55	1				1134-5319-01	Remstyrning	Belt guide		
56	1				9699-0056-02	Planbricka	Flat washer		



Utgåva Issue		Bildnr Picture No		READY HJUL	READY WHEELS	Sida Page			
2009- 11		1646B				268			
Pos. Fig.	Antal/Quantity				Art nr Part No	Benämning	Description	Sats Kit	Anmärkning Notes
	2716 -79								
1	1			1134-6703-01	Bakaxel	Rear axle			
2	2			9501-0500-00	Smörjnippel	Grease joint			
3	1			1134-5009-02	Spindel- vä	Spindle- LH			
4	1			1134-5009-01	Spindel- hö	Spindle- RH			
5	2			9699-0088-02	Planbricka	Flat washer			
6	2			9650-0020-04	Spårring	Circlip			
7	1			1134-5316-01	Styrskiva	Steering pulley			
8	1			1134-5575-01	Distans	Spacer			
9	1			1134-9024-01	Lager	Bearing		Sats 4 st/kit of 4	
10	1			9699-0104-02	Bricka	Washer			
11	1			9997-1680-12	Skruv	Screw			
12	2			1134-3247-05	Styrstag	Tie rod			
13A	2			9997-0825-16	Skruv	Screw		L = 25 mm	
13B	1			9997-0835-12	Skruv	Screw		L = 35 mm	
14	2			9699-0090-02	Planbricka	Flat washer			
15	3			9747-0831-02	Mutter	Lock nut			
16	2			1134-4706-01	Fälg	Rim			
17	1			1134-9026-01	Lagerbussning	Bearing bush kit		Sats 4 st/kit of 4	
18	2			9545-0117-00	Däck	Tyre		13 x 5.00 - 6	
19	2			9545-0500-00	Ventil	Valve			
20	2			1134-0341-01	Bricka	Washer			
21	2			9650-0020-04	Spårring	Circlip			
22	2			1134-4344-01	Navkapsel	Hub cap			
25	1			9501-0500-00	Smörjnippel	Grease joint			
26	1			9699-0088-02	Planbricka	Flat washer			
27	1			9650-0020-04	Spårring	Circlip			
28	2			1134-5255-01	Fälg	Rim			
29	2			9545-0126-01	Däck	Tyre		16 x 6.00 - 8	
30	2			9545-0500-00	Ventil	Valve			
32	6			9731-1031-22	Mutter	Nut			
33	2			1134-2471-03	Kil	Key			
34	2			9653-0001-04	Spårryttare	Lock ring			
35	2			1134-0341-01	Bricka	Washer			
36	2			1134-4844-02	Hjulnav	Wheel hub			
37	2			1134-4845-02	Navhylsa	Hub sleeve			
38	2			1134-4981-01	Bricka	Washer			
50	2			1134-6274-01	Redskapsfäste kpl.	Attachment assy		Inkl. pos 51 - 52	
51	1			1134-9026-01	• Lagerbussning	• Bearing bush kit		Sats 4 st/kit of 4	
52	1			9501-0502-00	• Smörjnippel	• Grease joint			
98				9545-0204-00	Innerslang	Inner tube		Reservdel/spare part	
99				9545-0203-00	Innerslang	Inner tube		Reservdel/spare part	



Utgåva Issue		Bildnr Picture No		READY KRAFTUTTAG	READY POWER TAKE-OFF	Sida Page			
2009- 11		1512E				270			
Pos. Fig.	Antal/Quantity				Art nr Part No	Benämning	Description	Sats Kit	Anmärkning Notes
	2716 -79								
1	1			1134-5046-01	Motorremskiva	Engine belt pulley			
2	1			1134-5017-01	Bricka	Washer			
3	1			9987-5332-16	Skruv	Screw			
4	1			1134-5058-01	Remstyrning	Belt guide			
5	1			1134-5057-01	Remstyrning	Belt guide			
6	1			9600-0251-01	Kil	Key			
7	2			9699-0056-02	Planbricka	Flat washer			
8	1			1134-4650-01	Monteringsbygel	Pulley bracket			
9	2			9945-0816-16	Skruv	Screw			
10	1			1134-4643-01	Mellanremskiva kpl.	Intermediate pulley			
11	1			1134-0051-12	• Distans	• Spacer			
12	2			9549-0019-00	• Kullager	• Ball bearing			
14	2			1134-0052-00	Lagerdistans	Bearing spacer			
15	1			9997-1040-16	Skruv	Screw			
16	1			9699-0035-02	Planbricka	Flat washer			
17	1			1134-9079-01	Drivrem	Drive belt		= 9585-0139-01	
18	1			1134-5231-01	Spännarm	Tension arm			
19	1			1134-6329-01	Spännrulle	Tension roller			
20	1			1134-4619-01	Distans	Spacer			
21	1			9997-1060-12	Skruv	Screw			
22	1			9731-1031-22	Mutter	Nut			
23	1			1134-6314-01	Spännarmsfäste	Attachment			
24	1			9997-0640-12	Skruv	Screw			
25	1			9747-0631-02	Låsmutter	Lock nut			
26	1			1134-4619-01	Distans	Spacer			
27	1			9930-1050-12	Skruv	Screw			
28	1			9699-0035-02	Planbricka	Flat washer			
29	1			9731-1031-22	Mutter	Nut			
30	1			1134-4708-02	Fäste	Bracket			
31	2			9945-0816-16	Skruv	Screw			
36	1			1131-1507-00	Fjäder	Spring			
40	1			1134-5037-01	Bygel	Bracket			
41	1			1134-1769-03	Centrumremskiva kpl.	Centre pulley assy			
42	1			1134-0051-09	• Distans	• Spacer			
43	2			9549-0019-00	• Kullager	• Ball bearing			
44	1			1134-1839-02	Mellanaxel	Shaft			
45	1			9699-0035-02	Planbricka	Flat washer			
46	1			9739-1031-22	Mutter	Nut			
47	1			9997-1070-12	Skruv	Screw			
48	1			1134-5541-01	Kopplingsarm	Clutch lever			
49	1			1134-1565-10	Distans	Spacer			
50	1			9997-0860-16	Skruv	Screw			
51	1			9699-0056-02	Planbricka	Flat washer			
52	1			9739-0831-22	Mutter	Nut			
53	1			1134-9027-02	Spännrulle- grå	Tension roller- grey			
54	1			1134-1795-01	Rembygel	Belt stirrup			
55	1			9997-1040-16	Skruv	Screw			
56	2			9699-0035-02	Planbricka	Flat washer			
57	1			9739-1031-22	Mutter	Nut			
58	1			1134-9078-01	Drivrem	Drive belt		= 9585-0138-01	
59	1			1134-4164-03	Bromsklots	Brake pad			
60	1			9959-0820-16	Skruv	Screw			
61	1			9699-0090-02	Planbricka	Flat washer			
62	1			9747-0831-02	Mutter	Lock nut			
63	2			9959-0820-16	Skruv	Screw			
64	2			9739-0831-22	Mutter	Nut			
65	1			9699-0056-02	Planbricka	Flat washer			
66	1			1131-1506-00	Fjäder	Spring			
67	1			9997-0860-16	Skruv	Screw			
68	2			9739-0831-22	Mutter	Nut			