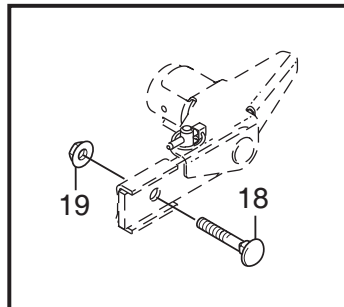
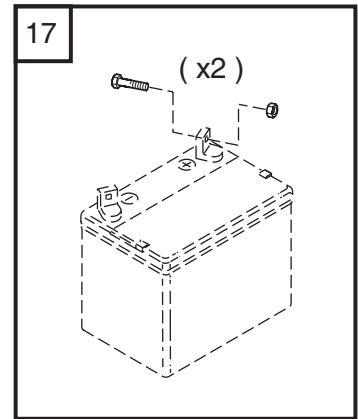
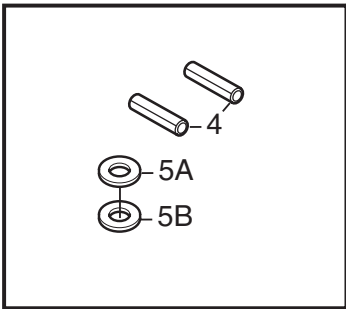
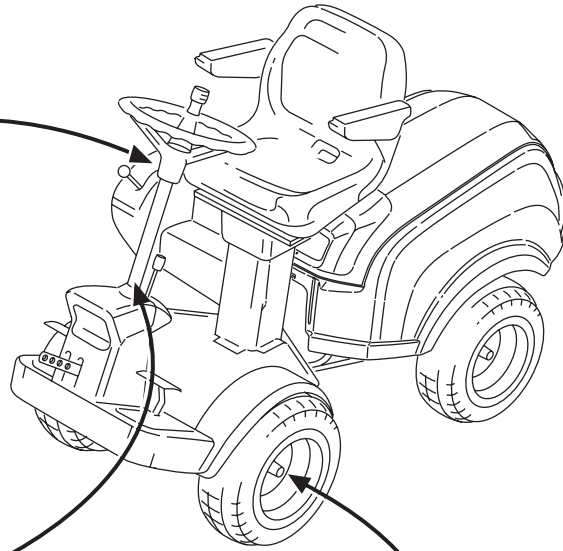
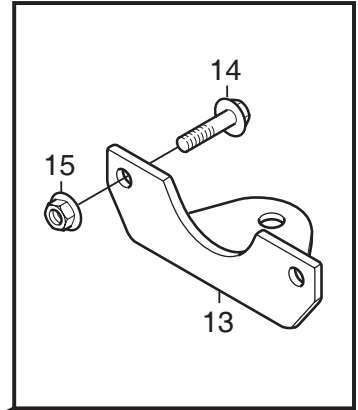
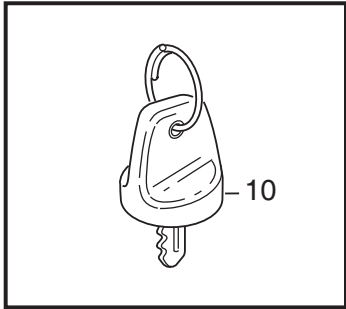
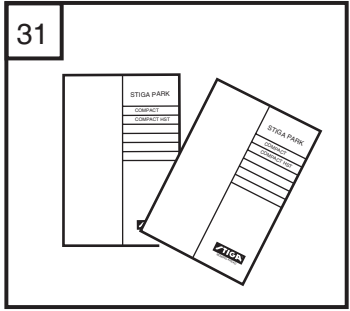
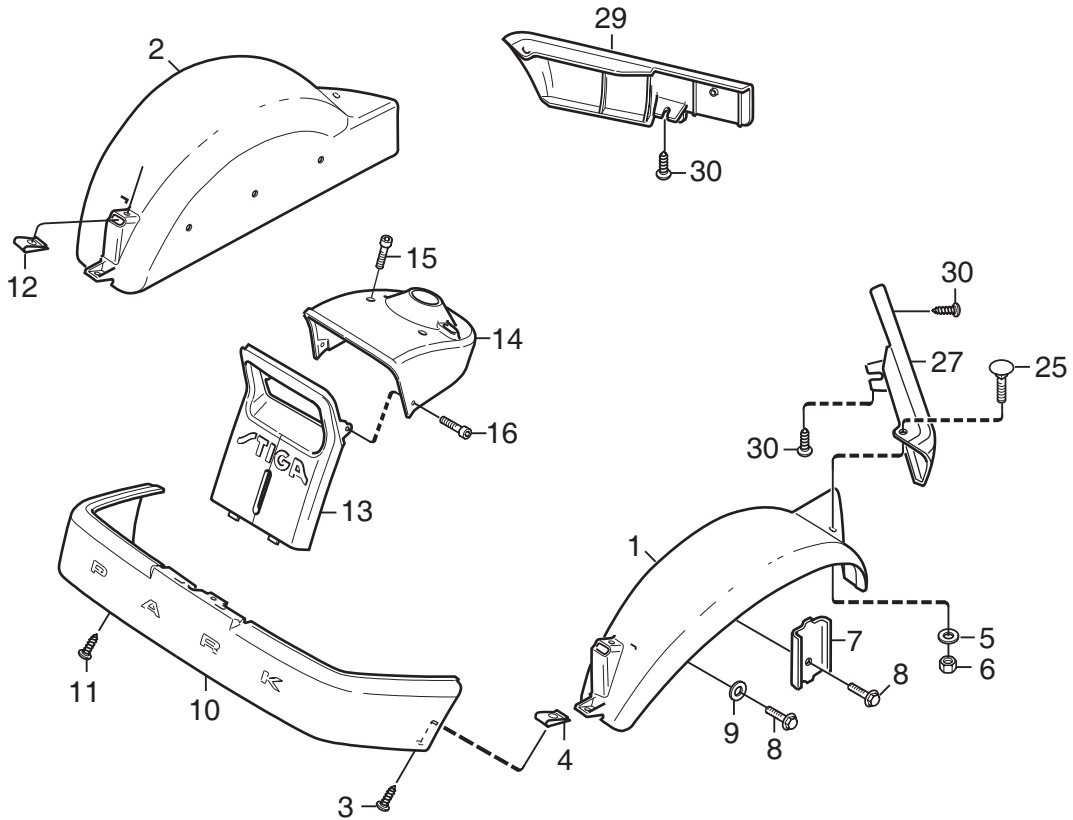
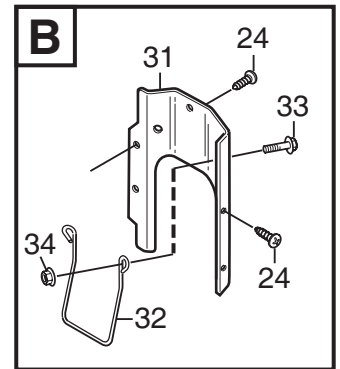
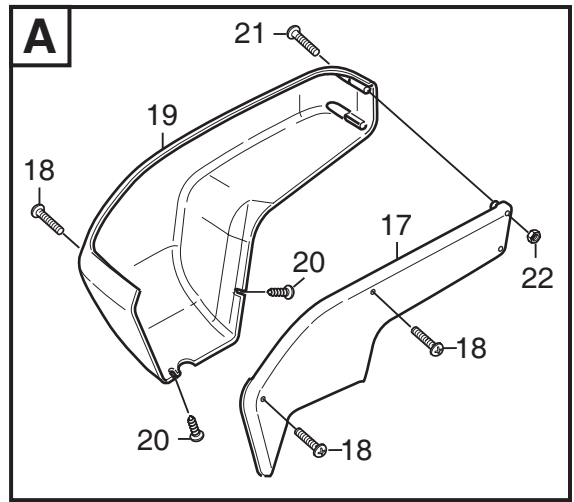
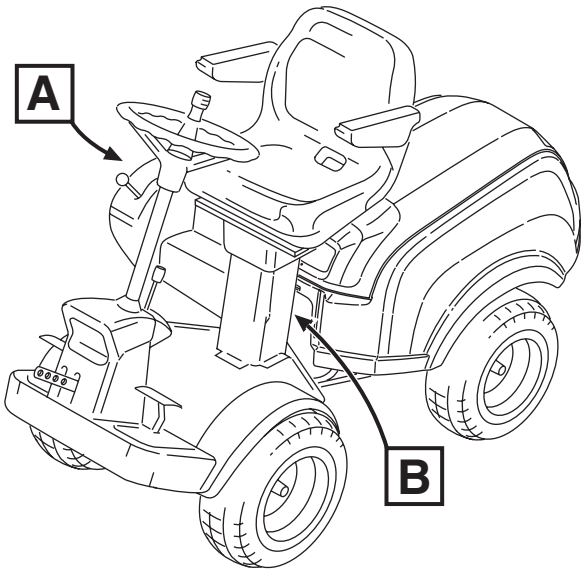


Genuine Spare Parts



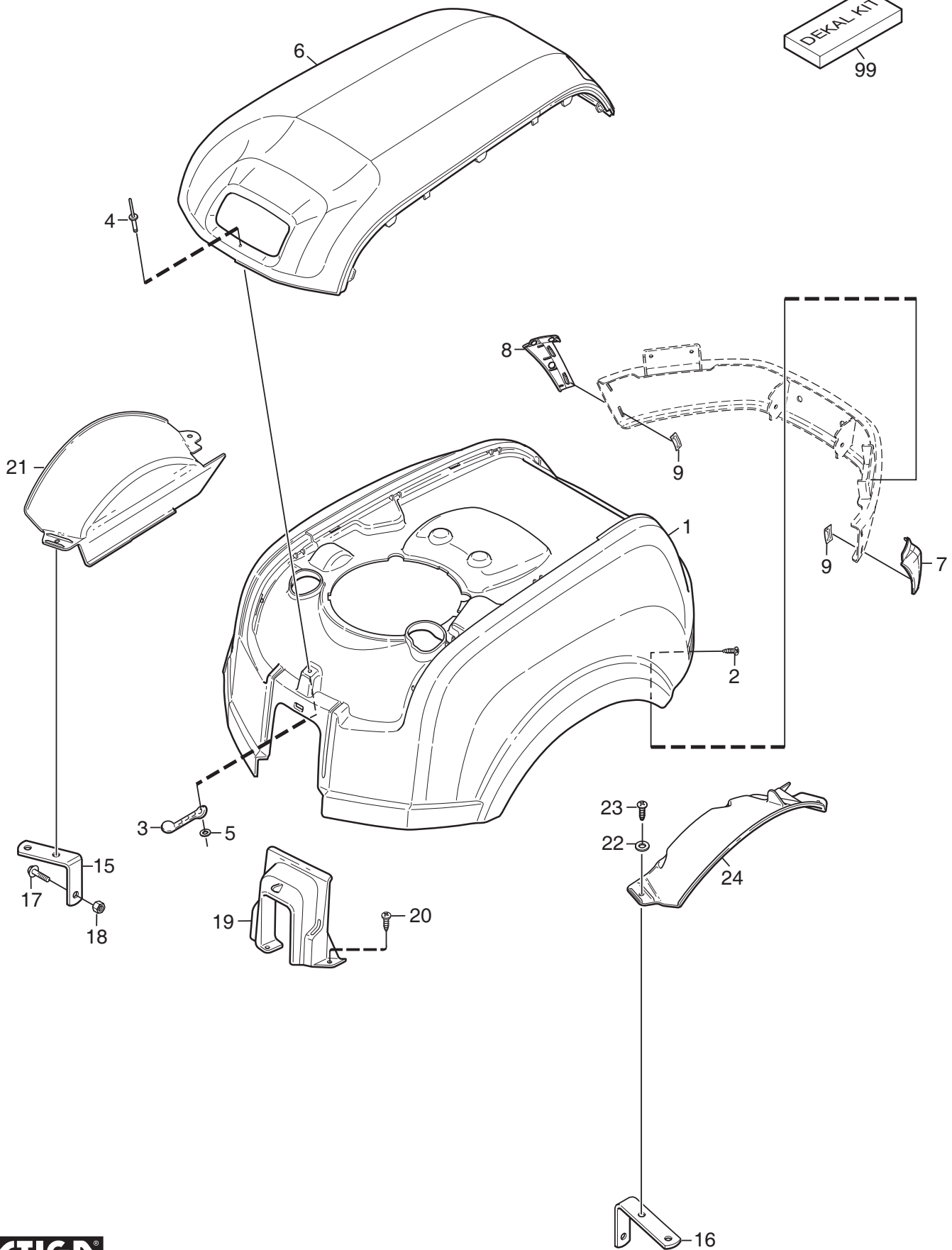
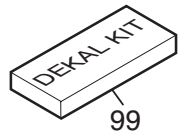


Utgåva Issue		Bildnr Picture No		PARK 4WD MONTERINGSDETALJER		PARK 4WD ASSEMBLY PARTS		Sida Page	
2010-11		2014D						102	
Pos. Fig.	Antal/Quantity			Art nr Part No	Benämning	Description	Sats Kit	Anmärkning Notes	
	6178	6177							
4	2	2		9595-0262-00	Spännstift	Locating pin			
5A	1	1		9699-0103-02	Shims	Flat washer		0.5 mm	
5B	1	1		9699-0114-02	Shims	Flat washer		1.0 mm	
10	2	2		1134-4734-01	Tändningsnyckel	Ignition key			
13	1	1		1134-5512-01	Dragplåt	Towing plate			
14	2	2		9959-0820-16	Skruv	Screw			
15	2	2		9739-0831-22	Mutter	Nut			
17	1	1		1134-6113-02	Batteriskruvar	Battery screws			
18	2	2		9898-1035-16	Skruv	Screw			
19	2	2		9739-1031-22	Mutter	Nut			
X 31		1		8211-0003-00	Bruksanvisning	Owner's manual			
31	1			8211-0003-92	Bruksanvisning	Owner's manual			
31	1	1		8211-0604-90	Monteringsanvisning	Assy instructions			
31	1	1		8211-0701-91	Säkerhetsföreskrifter	Safety regulations			
31	1	1		8211-0901-90	Servicebok	Service book			
31	1	1		8211-0960-90	Garantikort	Warranty card			

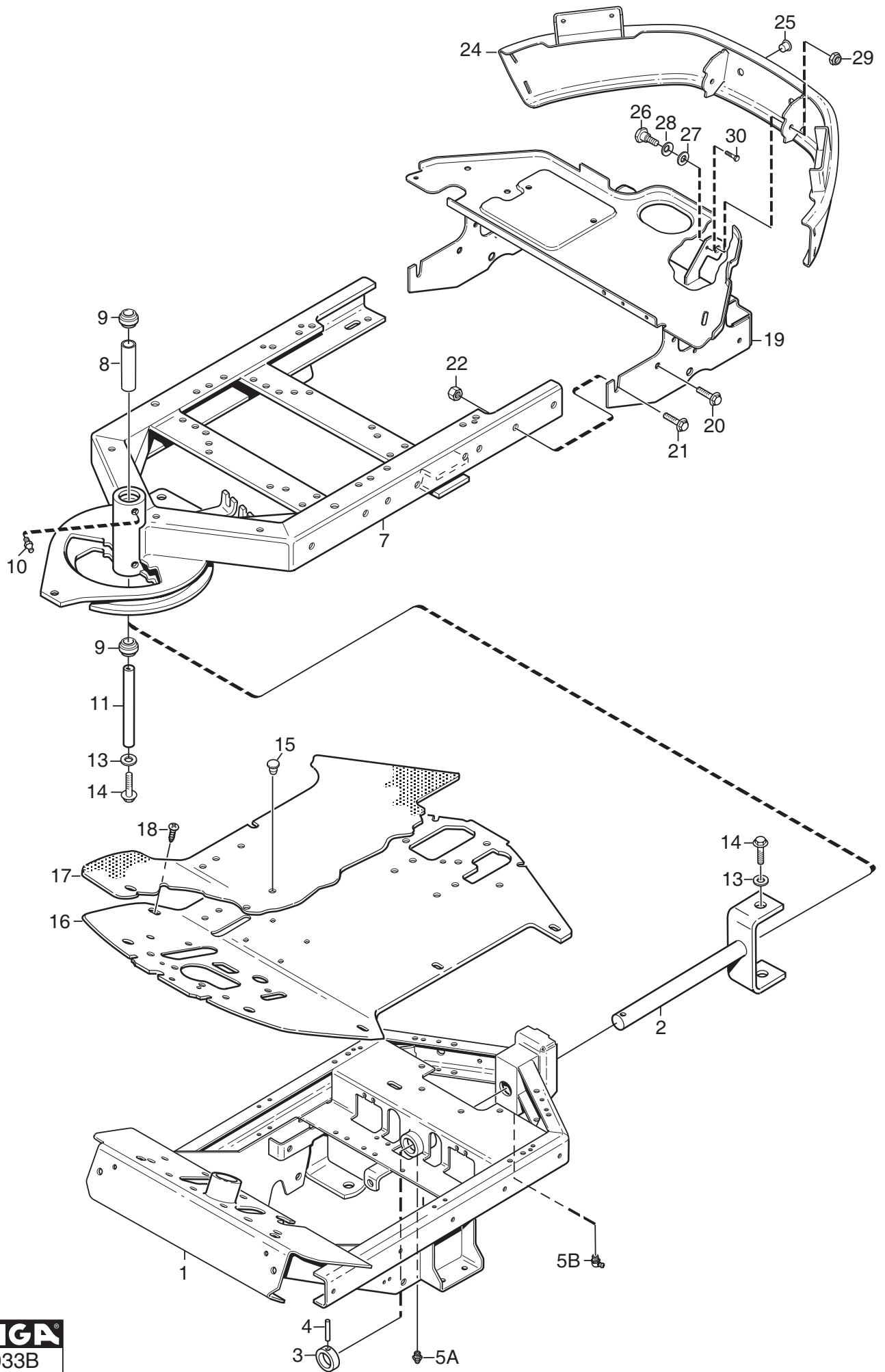


Utgåva Issue		Bildnr Picture No		PARK 4WD KAROSS-FRAM		PARK 4WD BODY WORK- FRONT		Sida Page	
2010- 11		2015C						104	
Pos. Fig.	Antal/Quantity				Art nr Part No	Benämning	Description	Sats Kit	Anmärkning Notes
	6177								
	6178								
1	1				1134-3943-01 Skärm- vä, gul	Mud guard- LH, yell.....			
2	1				1134-3943-02 Skärm- hö, gul	Mud guard- RH, yell.			
3	2				9893-0616-16 Skruv	Screw			
4	4				1134-4176-01 Clips	Clips			
5	2				9699-0060-02 Planbricka.....	Flat washer.....			
6	2				9747-0631-02 Låsmutter	Lock nut			
7	2				1137-0088-01 Stödplåt	Support plate			
8	6				9945-0816-16 Skruv	Screw			
9	4				9699-0056-02 Planbricka.....	Flat washer.....			
10	1				1134-4220-02 Stötfångare- grå.....	Bumper- grey			
11	6				9893-0616-16 Skruv	Screw			
12	2				1134-4176-01 Clips	Clips			
13	1				1134-4216-05 Frontdekor- gul	Front plate- yellow.....			
14	1				1134-3984-03 Frontdekor övre- gul	Front plate upper- yel			
15	2				9946-0525-16 Skruv	Screw			
16	2				9840-8013-16 Skruv	Screw			
17	1				1134-4360-01 Kåpa- inre	Cover- inner			
18	3				9946-0525-16 Skruv	Screw			
19	1				1134-3979-01 Kåpa- yttre	Cover- outer			
20	2				9840-8013-16 Skruv	Screw			
21	2				9950-0570-12 Skruv	Screw			
22	2				9747-0531-02 Mutter	Nut			
24	4				9893-0616-16 Skruv	Screw			
25	2				9897-0616-16 Vagnsbult	Carriage bolt			
27	1				1134-3970-05 Kantlist- vä, grå.....	Moulding- LH, grey			
29	1				1134-3970-02 Kantlist- hö, grå	Moulding- RH, grey			
30	4				9893-0616-16 Skruv	Screw			
31	1				1134-6461-01 Bakstycke	Rear plate.....			
32	1				1134-6460-01 Skyddsbygel	Protective loop			
33	2				9959-0820-16 Skruv	Screw			
34	2				9739-0831-22 Mutter.....	Nut			

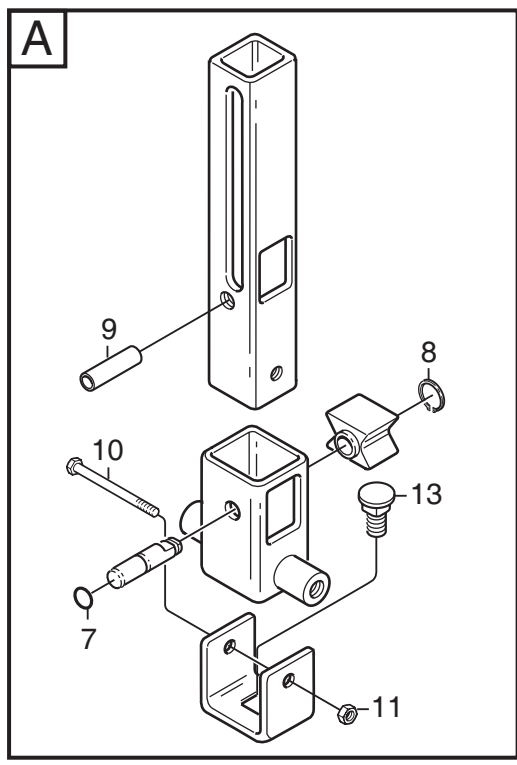
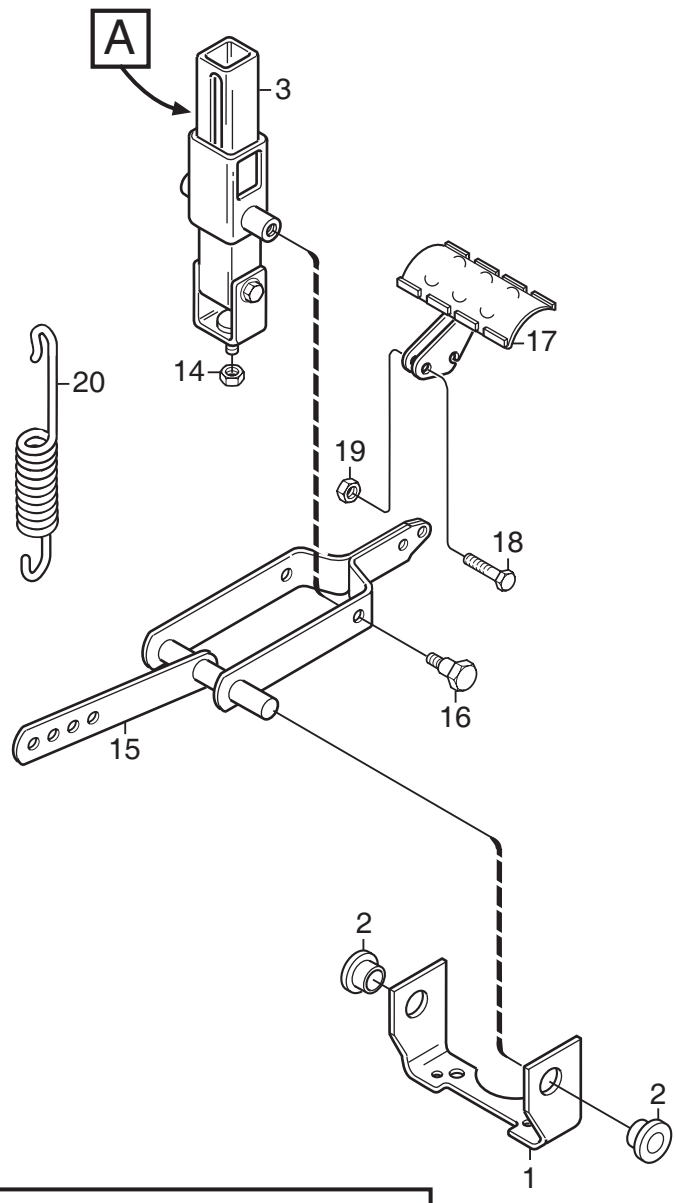
X



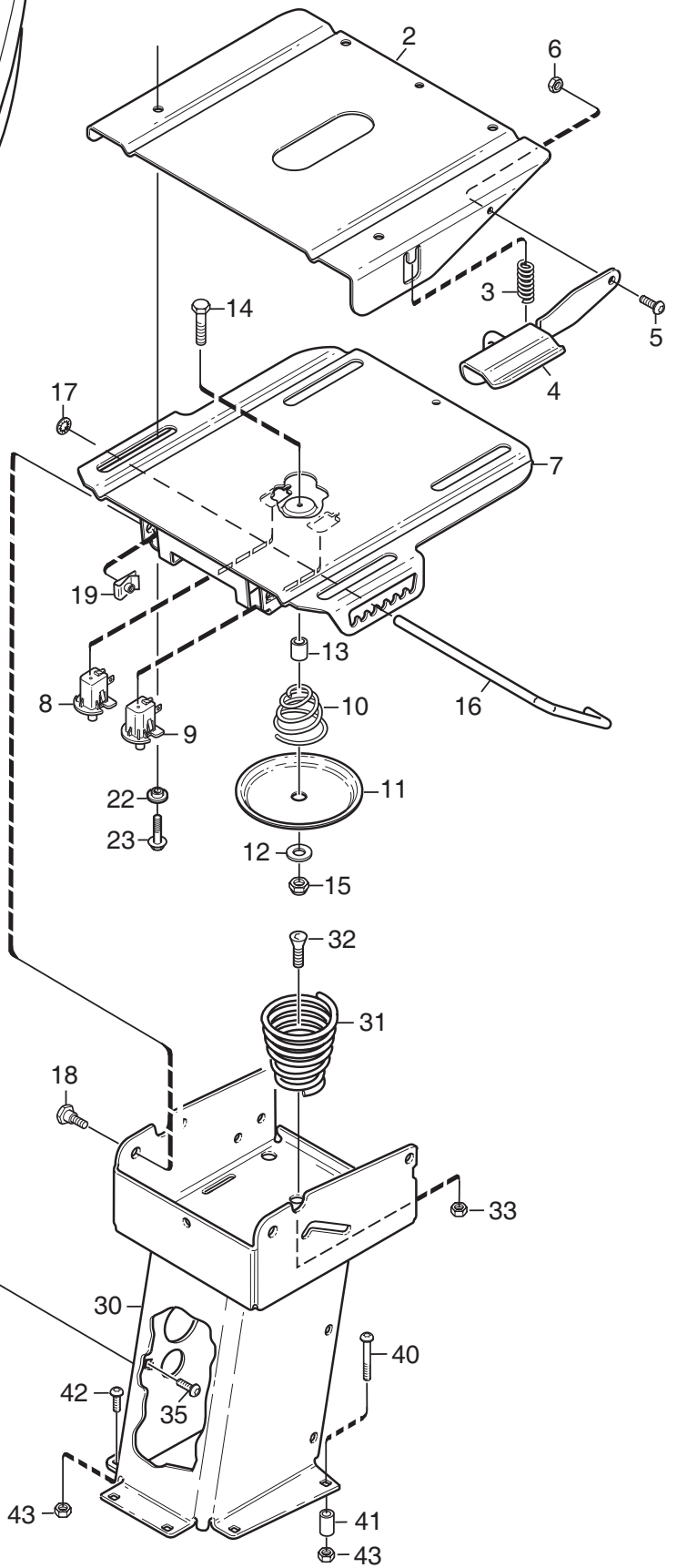
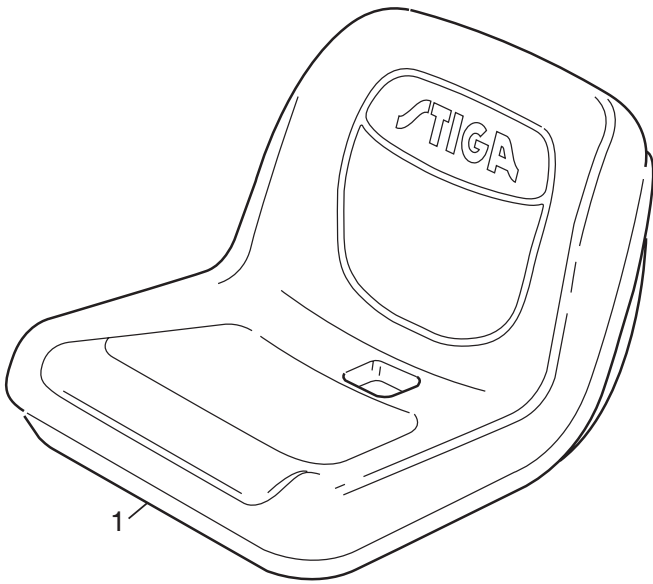
Utgåva Issue 2010-11		Bildnr Picture No 2016B		PARK 4WD KAROSS- BAK		PARK 4WD BODY WORK- REAR		Sida Page 106	
Pos. Fig.	Antal/Quantity			Art nr Part No	Benämning	Description	Sats Kit	Anmärkning Notes	
	6177	6178							
1	1	1		1134-6025-01	Motorhuv.....	Engine hood.....			
2	4	4		9893-0616-16	Skruv.....	Screw.....			
3	1	1		1134-9028-01	Gummistropp- sats.....	Rubber strap kit.....		Sats 3 st/kit of 3	
4	1	1		9632-0513-00	Popnit.....	Pop rivet.....			
5	1	1		9699-0120-02	Bricka.....	Washer.....			
6	1	1		1134-6026-01	Motorlucka.....	Engine cover.....			
7	1	1		1134-6027-01	Ändavslut- vä.....	Bumper end- LH.....			
8	1	1		1134-6027-02	Ändavslut- hö.....	Bumper end- RH.....			
9	4	4		1134-6310-01	Clips.....	Clips.....			
15	1			1134-4012-03	Stödkonsol- hö.....	Support- RH.....			
16	1			1134-4012-04	Stödkonsol- vä.....	Support- LH.....			
17	1			9959-0820-16	Skruv.....	Screw.....			
18	1			9739-0831-22	Mutter.....	Nut.....			
19	1	1		1134-6241-01	Huvstöd.....	Hood support.....			
20	3	3		9893-0616-16	Skruv.....	Screw.....			
21	1			1134-4800-01	Innerskärm- hö.....	Inner mud guard- RH.....			
22	4			9699-0060-02	Planbricka.....	Flat washer.....			
23	4			9893-0616-16	Skruv.....	Screw.....			
24	1			1134-4801-01	Innerskärm- vä.....	Inner mud guard- LH.....			
99	1			1134-6443-07	Dekalsats.....	Decal kit.....		Prestige	
99		1		1134-6443-08	Dekalsats.....	Decal kit.....		Residence	



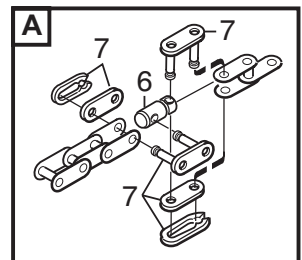
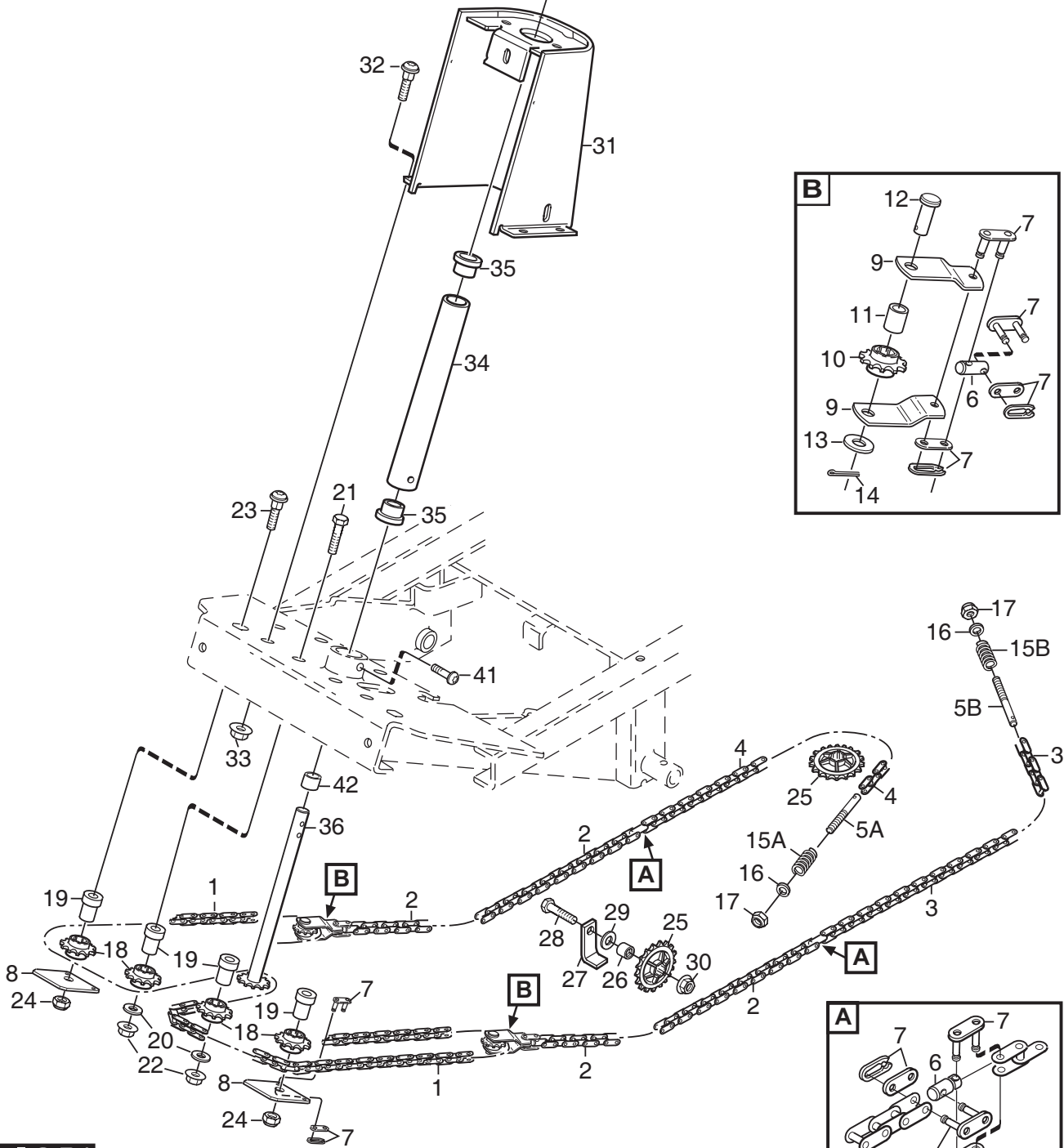
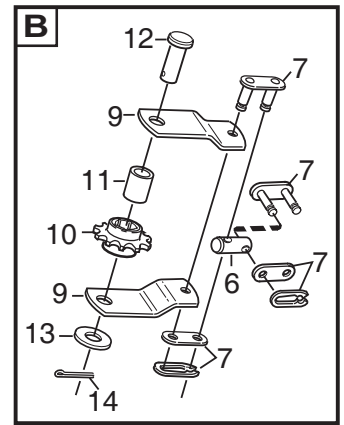
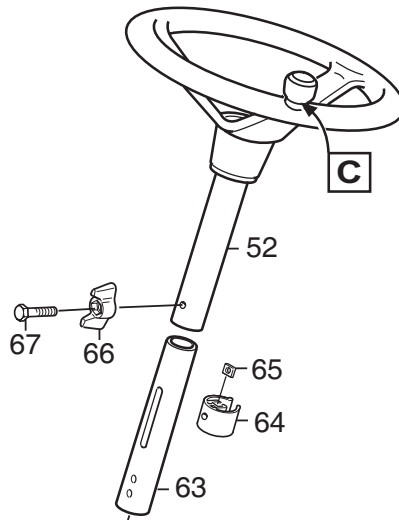
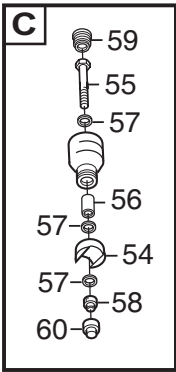
Utgåva Issue		Bildnr Picture No		PARK 4WD RAM		PARK 4WD FRAME		Sida Page	
2010- 11		2033B						108	
Pos. Fig.	Antal/Quantity				Art nr Part No	Benämning	Description	Sats Kit	Anmärkning Notes
	6177 6178								
X	1	1			1137-0100-01	Ram- främre	Frame- front		Rak/straight 90°
	2	1			1134-3963-02	• Midjegaffel	• Clevis		
	3	1			1134-0031-00	• Ledaxelstopp	• Pivot shaft stop		
	4	1			9595-0262-00	• Spännstift	• Locating pin		
	5A	1			9501-0500-00	• Smörjnippel	• Grease joint		
X	5B	1			9501-0504-01	• Smörjnippel	• Grease joint		
	7	1			1134-6466-01	Ram- bakre	Frame- rear		
	8	1			1134-5705-01	• Distans	• Spacer		
	9	2			9547-0001-00	• Ledlager	• Bearing		
	10	2			9501-0500-00	• Smörjnippel	• Grease joint		
	11	1			1134-5988-01	Centrumaxel	Centre shaft		
	13	2			9699-0035-02	Planbricka	Flat washer		
	14	2			9959-1025-16	Skruv	Screw		
	15	2			9403-0048-70	Täckpropp	Plug		
	16	1			1134-6586-01	Durk	Floor plate		
	17	1			1134-6372-04	Durkmatta	Floor mat		
	18	2			9893-0616-16	Skruv	Screw		
	19	1			1134-5944-01	Tankhylla	Tank shelf		
	20	2			9945-0816-16	Skruv	Screw		
	21	2			9959-0820-16	Skruv	Screw		
	22	2			9739-0831-22	Mutter	Nut		
	24	1			1134-5676-01	Stötfångare	Bumper		
	25	2			1134-4100-01	Täckpropp	Plug		
	26	2			1134-0240-00	Ansatsskruv	Shoulder screw		
	27	2			1134-4242-01	Distansbricka	Spacer washer		
	28	2			9665-0002-00	Brickfjäder	Bowed washer		
	29	2			9747-0831-02	Mutter	Lock nut		
	30	2			9943-0516-16	Skruv	Screw		



Utgåva Issue		Bildnr Picture No		PARK 4WD PEDALLYFT		PARK 4WD PEDAL LIFT		Sida Page	
2010- 11		1023D						110	
Pos. Fig.	Antal/Quantity				Art nr Part No	Benämning	Description	Sats Kit	Anmärkning Notes
	6177	6178							
1	1				1134-4117-01 Fäste	Bracket			
2	2				1134-2684-01 Lager	Bearing			
3	1				1134-4945-01 Lyftspärr kpl	Lift catch assy			
7	1				9404-0027-01 • O- ring	• O- ring			
8	1				9650-0039-04 • Seegersäkring	• Lock ring			
9	1				9595-0276-01 • Spännstift	• Locating pin			
10	1				9997-0640-12 • Skruv	• Screw			
11	1				9747-0631-02 • Låsmutter	• Lock nut			
13	1				9897-0820-16 • Skruv	• Screw			
14	1				9747-0831-02 Mutter	Lock nut			
15	1				1134-4860-01 Lyftgaffel	Lift fork			
16	2				1134-0240-00 Ansatsskruv	Shoulder screw			
17	1				1134-4938-01 Lyftpedal	Lift pedal			
18	2				9997-0625-16 Skruv	Screw			
19	2				9739-0631-22 Mutter	Nut			
20	1				4231-0013-00 Fjäder	Spring			



Utgåva Issue		Bildnr Picture No		PARK 4WD SITS		PARK 4WD SEAT		Sida Page	
2010- 11		2019A						112	
Pos. Fig.	Antal/Quantity				Art nr Part No	Benämning	Description	Sats Kit	Anmärkning Notes
	6177								
	6178								
1	1				1134-6444-01	Sits	Seat		
2	1				1134-6090-01	Glidplatta	Slide plate		
3	1				1134-3262-01	Tryckfjäder	Compression spring		
4	1				1134-6073-01	Handtag	Handle		
5	1				9893-0616-16	Skruv	Screw		
6	1				9747-0631-02	Låsmutter	Lock nut		
7	1				1134-6068-01	Glidplatta- undre	Slide plate-lower		
8	1				1134-3156-01	Brytare (svart)	Switch (black)		
9	1				1134-3156-02	Brytare (grå)	Switch (grey)		
10	1				1134-5302-01	Fjäder	Spring		
11	1				1134-5299-01	Tryckplatta	Push plate		
12	1				9699-0090-02	Planbricka	Flat washer		
13	1				1134-1565-06	Distans	Spacer		
14	1				9997-0840-16	Skruv	Screw		
15	1				9747-0831-02	Mutter	Lock nut		
16	1				1134-5179-01	Spärr	Catch		
17	1				9675-0012-02	Starlock	Locking washer		
18	2				1134-0240-00	Ansatsskruv	Shoulder screw		
19	2				1134-4620-02	Fjädermutter	Spring nut		
22	4				1134-6078-01	Ansatsbricka	Flange washer		
23	4				9959-0820-16	Skruv	Screw		
30	1				1134-5698-01	Sitskonsol	Seat bracket		
31	1				1134-4256-01	Sitsfjäder	Seat spring		
32	1				9924-1235-19	Skruv	Screw		
33	1				9747-1231-02	Låsmutter	Lock nut		
34	1				1134-3990-01	Armsvep	Attachment-side panel		
35	2				9897-0820-16	Skruv	Screw		
36	2				9739-0831-22	Mutter	Nut		
37	1				1134-4130-01	Lock- undre	Cover- lower		
38	4				9840-8013-16	Skruv	Screw		
40	2				9897-0880-12	Skruv	Screw		
41	2				1134-1565-08	Distans	Spacer		
42	4				9897-0820-16	Skruv	Screw		
43	6				9747-0831-02	Mutter	Lock nut		

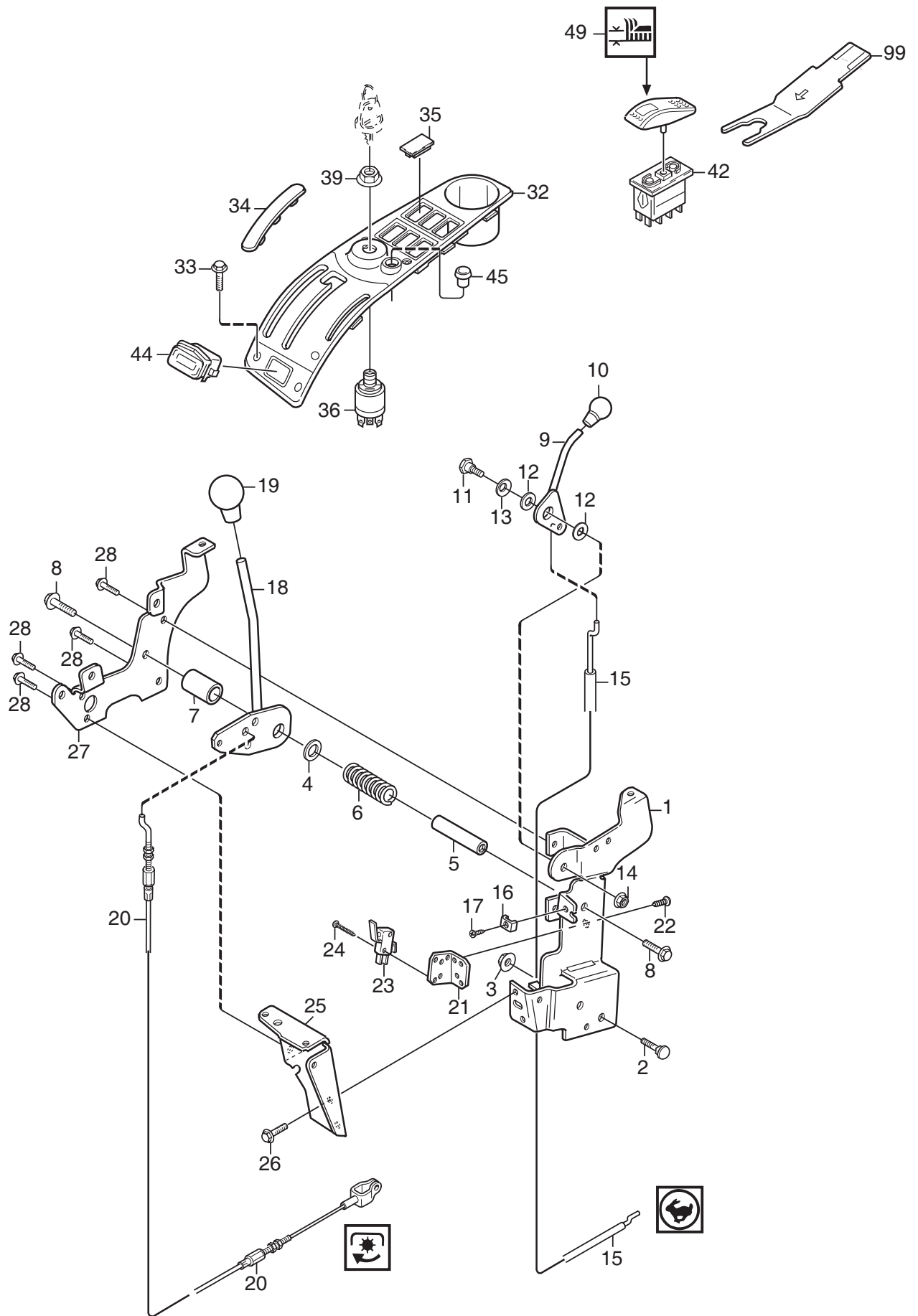


Utgåva Issue 2010-11		Bildnr Picture No 1787D		PARK 4WD PRESTIGE STYRNING		PARK 4WD PRESTIGE STEERING		Sida Page 114	
Pos. Fig.	Antal/Quantity				Art nr Part No	Benämning	Description	Sats Kit	Anmärkning Notes
	6177								
1	1				1134-6374-10	Kedja	Chain		129 länk
2	2				1134-6374-09	Kedja	Chain		35 länk
3	1				1134-6374-02	Kedja	Chain		41 länk
4	1				1134-6374-05	Kedja	Chain		47 länk
5A	1				1134-3550-01	Ändnippel	End nipple		L = 110 mm
5B	1				1134-3550-02	Ändnippel	End nipple		L = 90 mm
6	4				1134-3565-01	Skarvnippel	Connection nipple		
7	12				1134-2824-02	Kedjelås	Chain lock		
8	2				1134-5652-01	Fäste	Attachment		
9	4				1134-5651-01	Bygel	Bracket		
10	2				1134-2816-01	Kedjehjul	Sprocket		
11	2				1134-0041-02	Linhjulshylsa	Idler wheel bush		
12	2				1134-4817-01	Kolvstängssprint	Pin		
13	2				9699-0035-02	Planbricka	Flat washer		
14	2				9599-0054-02	Saxpinne	Cotter pin		
15A	1				1134-3817-01	Tryckfjäder	Compression spring		L = 58 mm
15B	1				1134-3817-02	Tryckfjäder	Compression spring		L = 33 mm
16	2				9699-0090-02	Planbricka	Flat washer		
17	2				9747-0831-02	Mutter	Lock nut		
18	4				1134-2816-01	Kedjehjul	Sprocket		
19	4				1134-5653-01	Distans	Spacer		
20	2				9699-0035-02	Planbricka	Flat washer		
21	2				9997-1060-12	Skruv	Screw		
22	2				9739-1031-22	Mutter	Nut		
23	2				9897-1060-12	Skruv	Screw		
24	2				9731-1031-22	Mutter	Nut		
25	3				1134-3547-01	Kedjehjul	Sprocket		
26	2				1134-0041-01	Linhjulshylsa	Bushing		
27	2				1134-0046-00	Linhållare	Wire clamp		
28	2				9997-1040-16	Skruv	Screw		
29	2				9699-0035-02	Planbricka	Flat washer		
30	2				9739-1031-22	Mutter	Nut		
31	1				1134-4120-04	Styrkonsol	Steering console		
32	4				9897-0820-16	Skruv	Screw		
33	4				9739-0831-22	Mutter	Nut		
34	1				1134-1305-03	Rattrör- nedre	Steering column- lower		
35	2				1134-1901-01	Lager	Bearing		
36	1				1137-0120-02	Rattstång	Steering rod		
41	2				9893-0616-16	Skruv	Screw		
42	1				1134-2837-03	Distans	Spacer		
52	1				1134-5173-02	Ratt kpl	Steering wheel assy		
53	1				1134-3769-01	• Styrknopp kpl	• Steering wheel button		
54	1				1134-3752-01	• Knoppfäste	• Knob holder		
55	1				9997-0870-16	• Skruv	• Screw		
56	1				1134-1565-06	• Distans	• Spacer		
57	3				9699-0090-02	• Planbricka	• Flat washer		
58	1				9747-0831-02	• Mutter	• Lock nut		
59	1				9403-0043-70	• Plugg	• Plug		
60	1				9403-0113-00	• Mutterhatt	• Nut cap		
63	1				1137-0070-01	Rattrör- inre kpl	Steering tube- inner		
64	1				1134-5177-01	• Slid	• Slide		
65	1				9710-0631-12	• Fyrkantmutter	• Square nut		
66	1				1134-4481-02	Vingmutter	Wing nut		
67	1				9997-0630-12	Skruv	Screw		

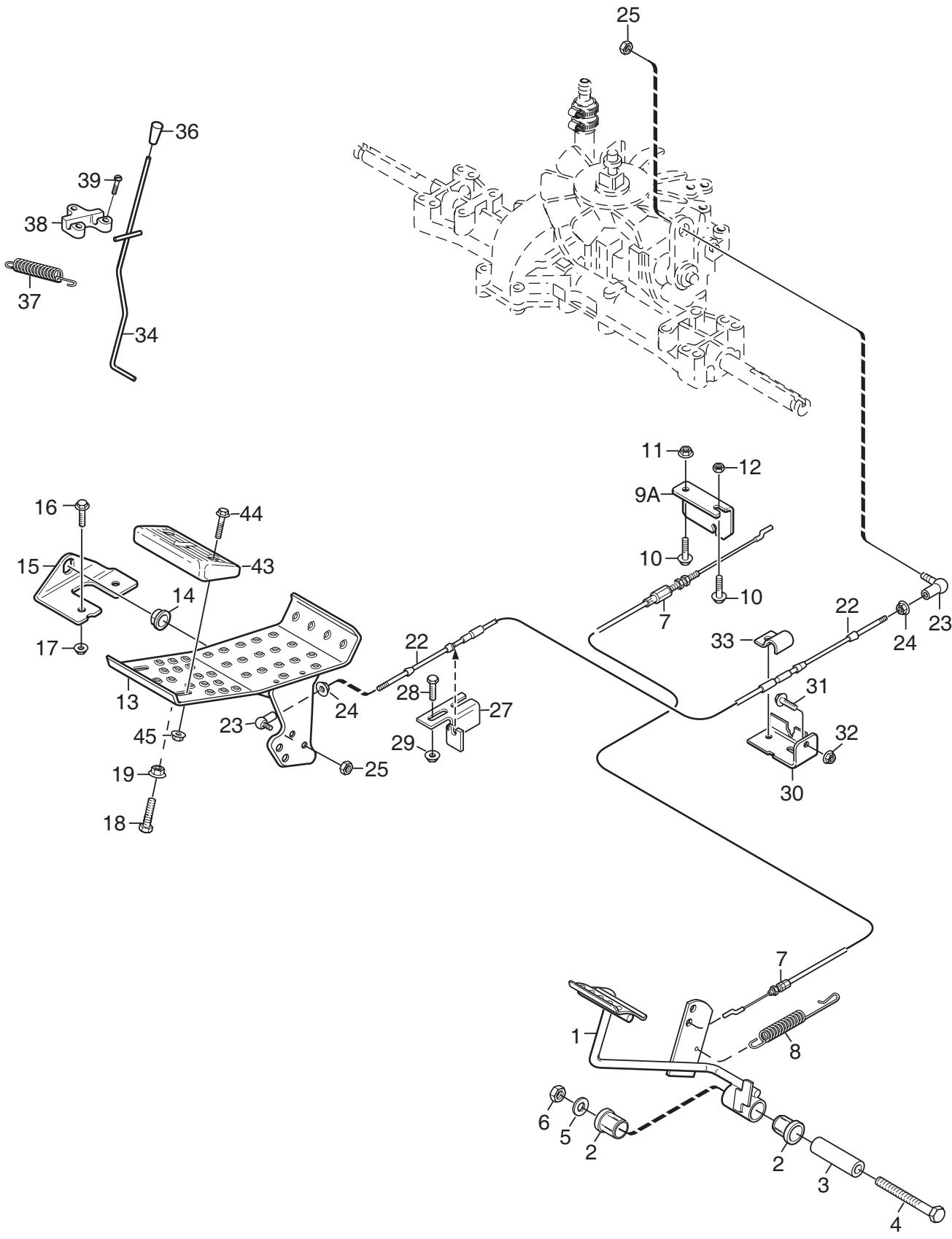
X

X

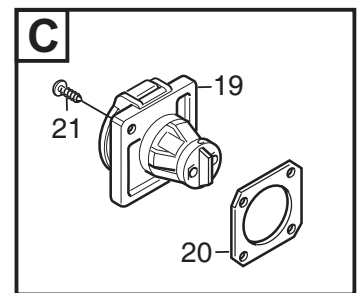
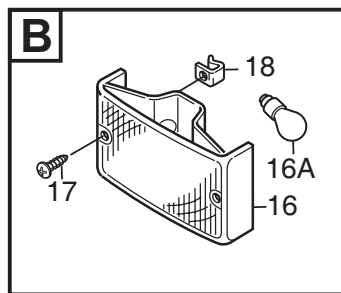
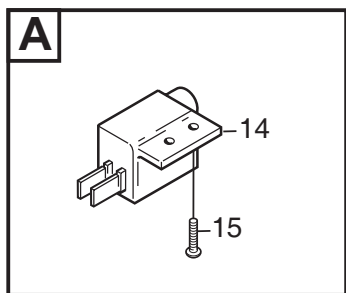
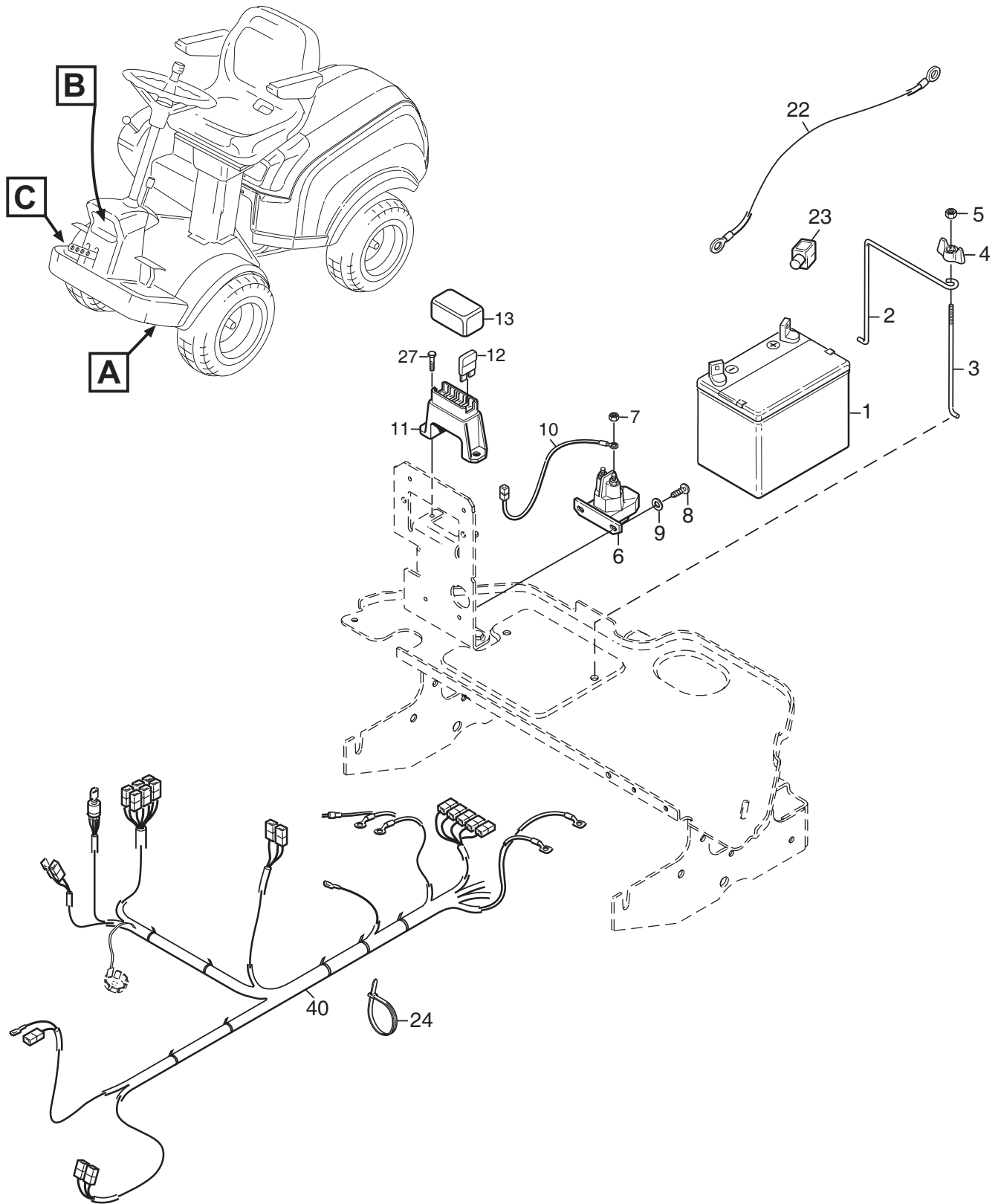
Utgåva Issue 2010-11		Bildnr Picture No 2408B		PARK 4WD RESIDENCE STYRNING		PARK 4WD RESIDENCE STEERING		Sida Page 116	
Pos. Fig.	Antal/Quantity				Art nr Part No	Benämning	Description	Sats Kit	Anmärkning Notes
	6178								
1	1				1134-6374-06	Kedja	Chain		83 länk
2	3				1134-6374-02	Kedja	Chain		41 länk
3	1				1134-6374-04	Kedja	Chain		45 länk
4A	1				1134-3550-01	Ändnippel	End nipple		L = 110 mm
4B	1				1134-3550-02	Ändnippel	End nipple		L = 90 mm
5	4				1134-3565-01	Skarvnippel	Connection nipple		
6	10				1134-2824-02	Kedjelås	Chain lock		
7A	1				1134-3817-01	Tryckfjäder	Compression spring		L = 58 mm
7B	1				1134-3817-02	Tryckfjäder	Compression spring		L = 33 mm
8	2				9699-0090-02	Planbricka	Flat washer		
9	2				9747-0831-02	Mutter	Lock nut		
10	4				1134-2816-01	Kedjehjul	Sprocket		
11	4				1134-0041-02	Linhjulshylsa	Idler wheel bush		
12	4				9699-0035-02	Planbricka	Flat washer		
13	2				9997-1050-16	Skruv	Screw		
14	2				9897-1040-12	Skruv	Screw		
15	4				9739-1031-22	Mutter	Nut		
16	3				1134-3547-01	Kedjehjul	Sprocket		
17	2				1134-0041-01	Linhjulshylsa	Bushing		
18	2				1134-0046-00	Linhållare	Wire clamp		
19	2				9997-1030-16	Skruv	Screw		
20	2				9739-1031-22	Mutter	Nut		
21	1				1134-4120-04	Styrkonsol	Steering console		
22	4				9897-0820-16	Skruv	Screw		
23	4				9739-0831-22	Mutter	Nut		
24	1				1134-4113-02	Rattör- nedre	Steering tube- lower		
25	1				9549-0017-00	Kullager	Ball bearing		
26	1				9945-0816-16	Skruv	Screw		
X 27	1				1137-0045-01	Rattstång	Steering rod		
28	1				1134-4114-01	Bussning	Bushing		
29	1				1134-4118-01	Koppling	Coupling		
30	2				9595-0256-01	Spännstift	Pin		
31	1				9695-0011-00	Bricka	Washer		
32	1				1134-5173-02	Ratt kpl	Steering wheel assy		
33	1				1134-3769-01	• Styrknopp kpl	• Steering wheel button		
34	1				1134-3752-01	•• Knoppfäste	•• Knob holder		
35	1				9997-0870-16	•• Skruv	•• Screw		
36	1				1134-1565-06	•• Distans	•• Spacer		
37	3				9699-0090-02	•• Planbricka	•• Flat washer		
38	1				9747-0831-02	•• Mutter	•• Lock nut		
39	1				9403-0043-70	•• Plugg	•• Plug		
40	1				9403-0113-00	•• Mutterhatt	•• Nut cap		
42	1				1134-6420-01	Momentförstärkare	Steering booster		
42A	1				1139-2074-01	Reparationssats	Seal kit		
43	3				9939-0612-16	Skruv	Screw		
47	1				1134-7073-01	Vinkeladapter	Hydraulic coupling		
48	1				1134-6822-01	Hydraulslang	Hydraulic tube		L = 1740 mm
49	1				1134-6323-01	Banjobult	Banjo bolt		
50	1				1134-6821-01	Hydraulslang	Hydraulic tube		L = 2050 mm
51	2				1134-4948-02	Tredobricka	Tredo washer		
52	2				1134-4282-01	Hydraulnippel	Hydraulic nipple		
52A	1				9404-0028-01	• O- ring	• O- ring		
X 53	1				1137-0070-01	Rattör- inre kpl	Steering tube- inner		
54	1				1134-5177-01	• Slid	• Slide		
55	1				9710-0631-12	• Fyrkantmutter	• Square nut		
56	1				1134-4481-02	Vingmutter	Wing nut		
57	1				9997-0630-12	Skruv	Screw		
X 58	1				1137-0112-01	Bygel	Guide		
59	2				9897-0616-16	Vagnsbult	Carriage bolt		
60	2				9739-0631-22	Mutter	Nut		



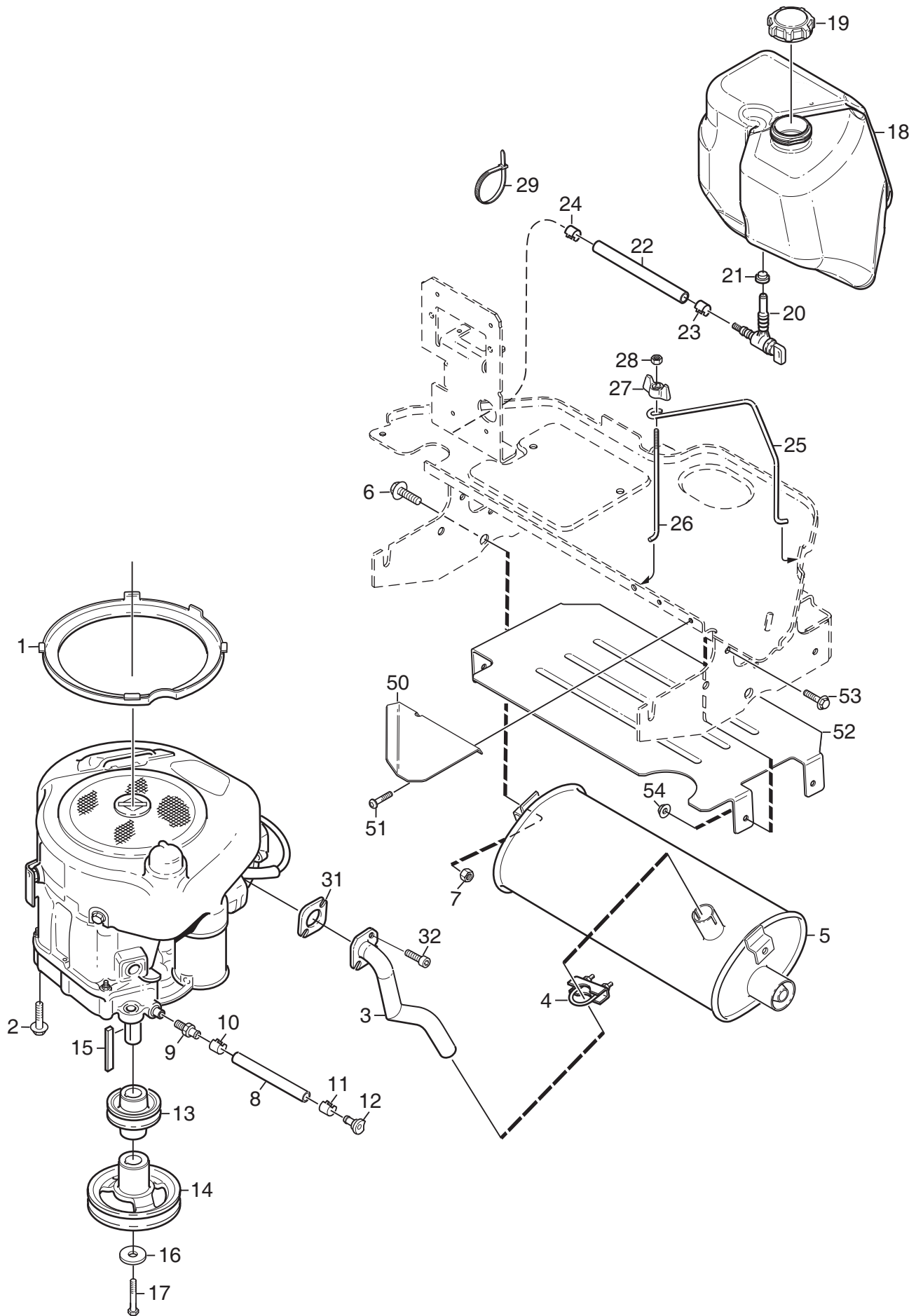
Utgåva Issue		Bildnr Picture No		PARK 4WD HANDREGLAGE		PARK 4WD HAND CONTROLS		Sida Page	
2010- 11		1991G						118	
Pos. Fig.	Antal/Quantity				Art nr Part No	Benämning	Description	Sats Kit	Anmärkning Notes
	6177								
	6178								
1	1				1134-4156-01	Vinkelhållare	Panel bracket- inner		
2	2				9897-0820-16	Skruv	Screw		
3	2				9739-0831-22	Mutter	Nut		
4	1				9695-0011-00	Bricka	Washer		
5	1				1134-4065-01	Reglageaxel	Control shaft		
6	1				1134-4079-01	Fjäder	Spring		
7	1				1134-4080-03	Reglagehylsa	Control sleeve		
8	2				9959-0820-16	Skruv	Screw		
9	1				1134-4077-01	Gasreglage	Throttle control		
10	1				1134-4078-01	Knopp	Knob		
11	1				1134-0240-00	Ansatsskruv	Shoulder screw		
12	2				1134-4242-01	Distansbricka	Spacer washer		
13	1				9694-0001-00	Fjäderbricka	Washer		
14	1				9747-0831-02	Mutter	Lock nut		
15	1				1134-4197-01	Gaswire	Throttle cable		L1 = 925 mm
16	1				9500-9991-00	Wireklämman	Cable clamp		
17	1				9943-0516-16	Skruv	Screw		
18	1				1134-4072-01	Aggregatpak	Control lever		
19	1				1134-2551-01	Reglageknopp	Knob		
20	1				1134-3573-03	Wire	PTO cable		
21	1				1134-5358-01	Brytarfäste	Switch bracket		
22	2				9852-8013-16	Skruv	Screw		
23	1				9400-0285-01	Microbrytare	Switch		
24	2				9840-7716-16	Skruv	Screw		L = 16 mm
25	1				1134-6328-01	Frontfäste	Panel bracket- front		
26	2				9893-0616-16	Skruv	Screw		
27	1				1134-6327-01	Frontplåt	Front plate		
28	4				9893-0616-16	Skruv	Screw		
32	1				1134-6096-05	Kassett	Dashboard		
33	4				9946-0525-16	Skruv	Screw		
34	1				1134-4154-01	Täckbricka	Cover		
35	5				1134-4129-01	Täckbricka	Cover		
36	1				1134-4093-01	Tändningslås	Ignition switch		
39	1				1134-4749-01	Mutter	Nut		
42	1				9400-0282-01	Brytare m.diod	Switch w.diode		
44	1				1134-6097-01	Timräknare	Hour meter		
45	1				1134-4100-01	Täckpropp	Plug		
49	1				9400-0280-03	Vippa- höjinställning	Cover- height adjust		
99	1				9400-0290-01	Verktyg f.vippa	Tool for cover		Tillbehör/Accessory



Utgåva Issue		Bildnr Picture No		PARK 4WD FOTREGLAGE		PARK 4WD FOOT CONTROLS		Sida Page	
2010- 11		2206B						120	
Pos. Fig.	Antal/Quantity				Art nr Part No	Benämning	Description	Sats Kit	Anmärkning Notes
	6177	6178							
1	1				1134-5655-01	Broms/kopplingspedal.....	Brake/clutch pedal.....		Sats 4 st/kit of 4
2	1				1134-9024-01	Lager.....	Bearing.....		
3	1				1134-5677-02	Distans.....	Spacer.....		
4	1				9997-1070-12	Skruv.....	Screw.....		
5	1				9699-0030-02	Planbricka.....	Flat washer.....		
6	1				9739-1031-22	Mutter.....	Nut.....		
7	1				1134-6005-01	Wire.....	Cable.....		
8	1				4231-0013-00	Fjäder.....	Spring.....		
9A	1				1134-6467-01	Wirefäste.....	Cable holder.....		
10	2				9959-0820-16	Skruv.....	Screw.....		
11	1				9739-0831-22	Mutter.....	Nut.....		
12	1				9747-0831-02	Mutter.....	Lock nut.....		
13	1				1134-6353-01	Drivpedal.....	Drive pedal.....		
14	2				1134-6313-01	Lager.....	Bearing.....		
15	2				1134-2700-01	Fäste.....	Bracket.....		
16	2				9959-0820-16	Skruv.....	Screw.....		
17	2				9739-0831-22	Mutter.....	Nut.....		
18	1				9997-0835-16	Skruv.....	Screw.....		
19	1				9739-0831-22	Mutter.....	Nut.....		
22	1				1134-2766-05	Reglagewire.....	Speed control cable.....		
23	2				9570-0001-00	Vinkellänk.....	Elbow link.....		
24	2				9739-0531-22	Mutter.....	Nut.....		
25	2				9747-0531-02	Mutter.....	Nut.....		
27	1				1134-6317-01	Wirefäste.....	Cable holder.....		
28	2				9959-0620-16	Skruv.....	Screw.....		
29	2				9739-0631-22	Mutter.....	Nut.....		
30	1				1134-3395-01	Fäste.....	Attachment.....		
31	2				9959-0820-16	Skruv.....	Screw.....		
32	2				9739-0831-22	Mutter.....	Nut.....		
33	1				1134-2021-01	Växelwirefäste.....	Clamp.....		
34	1				1134-5101-01	Bromsstång.....	Brake rod.....		
36	1				1134-3808-01	Knopp.....	Knob.....		
37	1				1131-1497-01	Fjäder.....	Spring.....		
38	1				1134-4002-01	Fäste.....	Brake rod attachment.....		
39	3				9838-9516-12	Skruv.....	Screw.....		
43	2				1134-6340-02	Fotstöd.....	Foot rest.....		
44	4				9959-0620-16	Skruv.....	Screw.....		
45	4				9739-0631-22	Mutter.....	Nut.....		

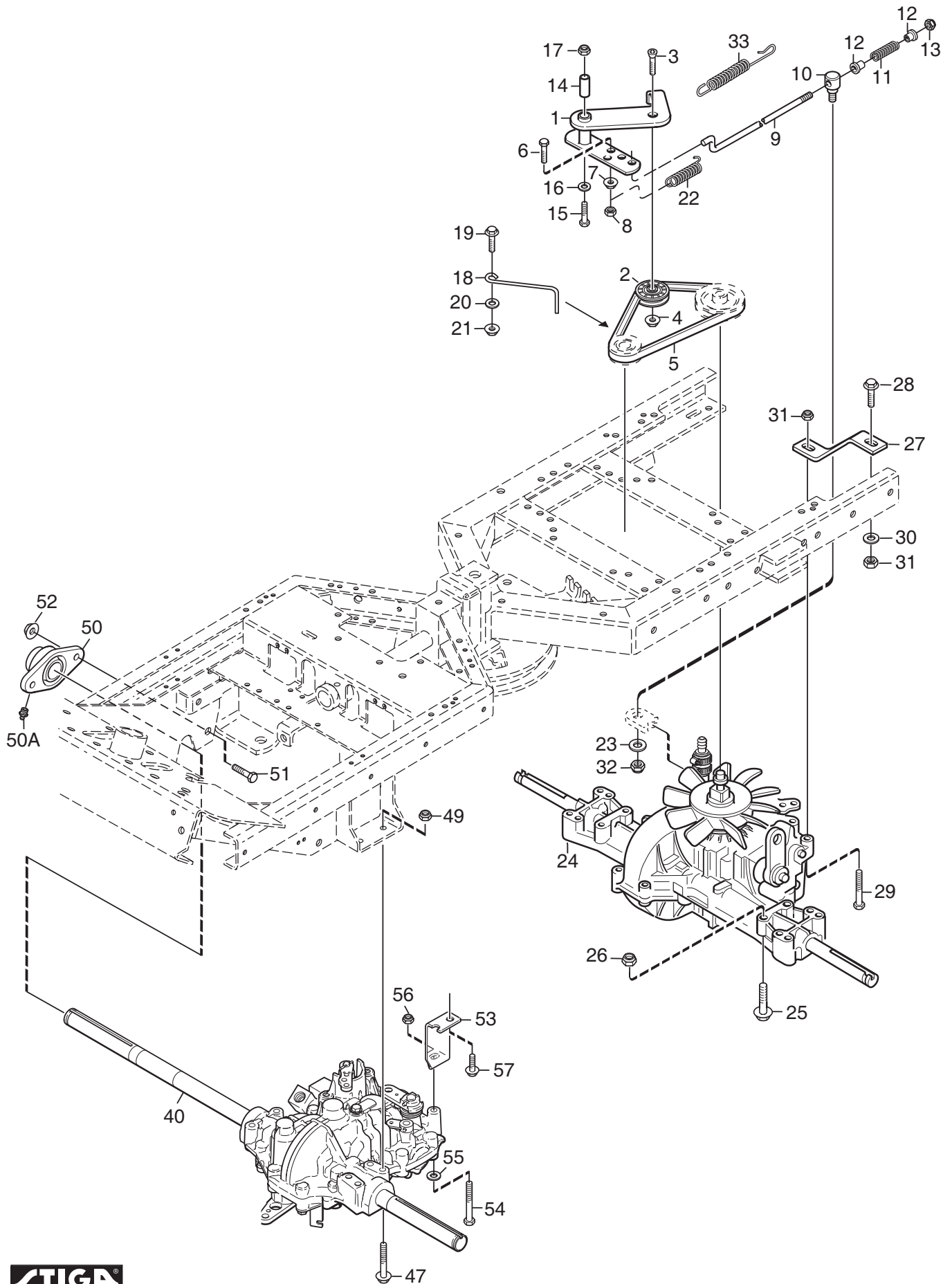


Utgåva Issue		Bildnr Picture No		PARK 4WD ELUTRUSTNING		PARK 4WD EL. EQUIPMENT		Sida Page	
2010- 11		2020G						122	
Pos. Fig.	Antal/Quantity				Art nr Part No	Benämning	Description	Sats Kit	Anmärkning Notes
	6177	6178							
1	1				1134-5751-01 Batteri	Battery			
2	1				1134-5994-01 Batteribygel	Battery loop.....			
3	1				1134-5995-01 Batteribygel	Battery loop.....			
4	1				1134-4481-02 Vingmutter.....	Wing nut			
5	1				9747-0631-02 Låsmutter	Lock nut			
6	1				1134-2962-01 Solenoid kpl	Solenoid assy.....			
7	2				9794-5131-02 • Mutter.....	• Nut			
8	2				9852-8013-16 Skruv	Screw			
9	2				9699-0060-02 Planbricka.....	Flat washer.....			
10	1				1134-4970-02 Kabel- röd	Cable- red.....			
11	1				1134-3491-01 Säkringshållare.....	Fuse holder			
12	1				1134-3496-01 Säkring	Fuse			10A
12	1				1134-3496-06 Säkring	Fuse			20A
12	1				1134-3496-07 Säkring	Fuse			30A
13	1				1134-3631-01 Lock- säkringsdosa.....	Cover- fuse holder.....			
14	1				1134-3399-02 Brytare.....	Switch			
15	2				9943-0516-16 Skruv	Screw			
16	1				1134-4172-01 Strålkastare kpl.....	Headlamp assy.....			
16A	1				9400-0293-01 • Glödlampa	• Bulb.....			12V - 21W
17	2				9849-7819-16 Skruv	Screw			
18	2				1134-4177-01 Clips	Clips			
19	1				1134-7535-01 Honkontakt	Female terminal.....			
20	1				1134-4052-01 Stödbricka	Support washer.....			
21	2				9840-7716-16 Skruv	Screw			
22	1				1134-0234-02 Batterikabel (+).....	Battery cable (+).....			
23	1				1134-2310-01 Batteriskydd.....	Guard cap			
24	7				9579-0003-00 Buntband	Cable holder			
27	2				9849-8006-16 Skruv	Screw			
40	1				1134-6441-01 Kablage.....	Harness.....			



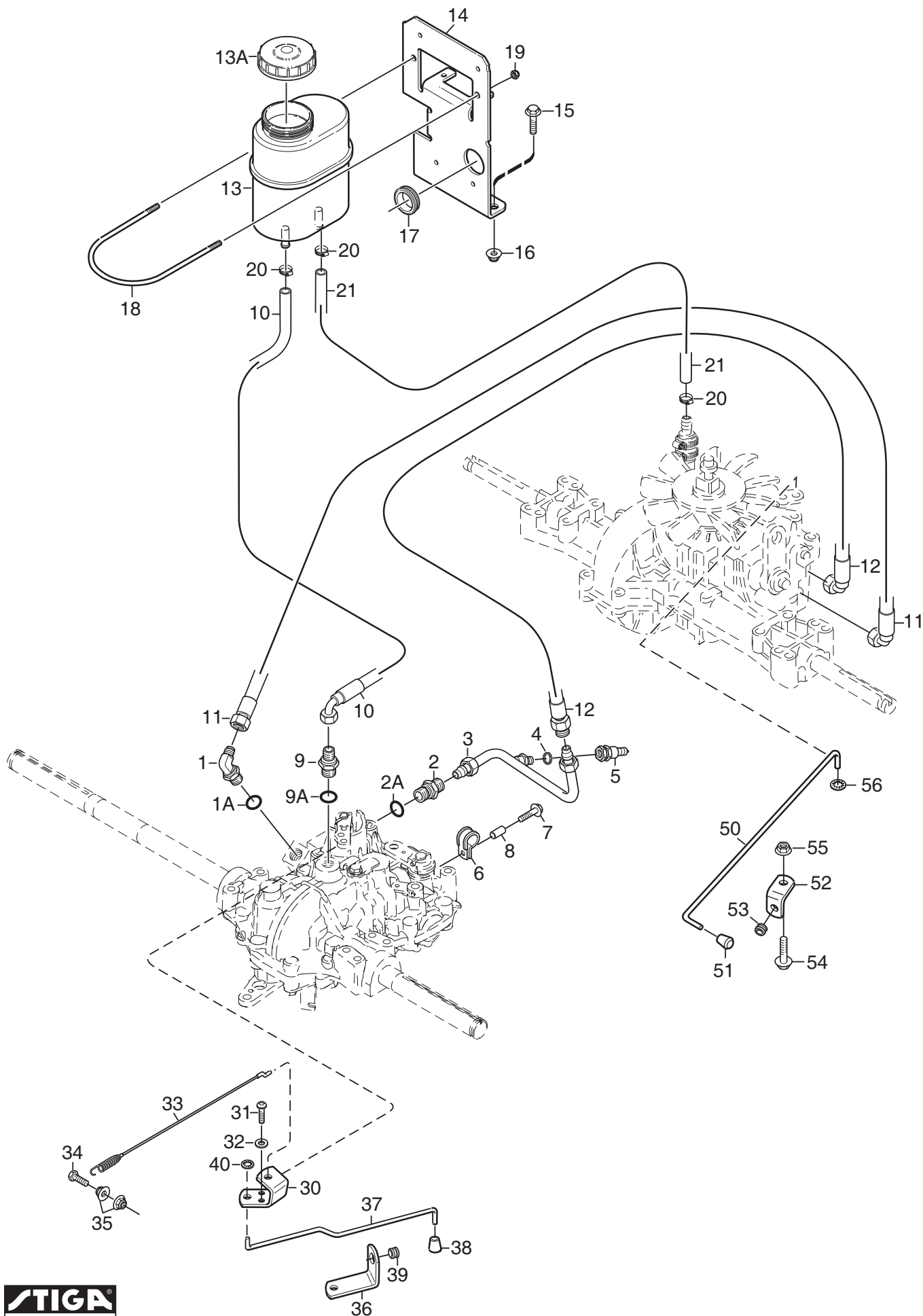
Utgåva Issue 2010- 11		Bildnr Picture No 2021		PARK 4WD MOTOR (Briggs & Stratton)		PARK 4WD ENGINE (Briggs & Stratton)		Sida Page 124	
Pos. Fig.	Antal/Quantity				Art nr Part No	Benämning	Description	Sats Kit	Anmärkning Notes
	6177	6178							
1	1				1134-6116-02	Luffring.....	Air duct		
2	4				9955-3725-16	Skruv.....	Screw.....		
3	1				1134-6100-01	Grenrör.....	Exhaust pipe		
4	1				9578-0011-01	Klämma	Clamp.....		
5	1				1134-6024-01	Ljuddämpare	Muffler		
6	1				9959-0820-16	Skruv.....	Screw.....		
7	1				9739-0831-22	Mutter.....	Nut		
8	1				1134-5827-01	Oljeavtappning kpl.....	Oil drain assy		Inkl. pos 9 - 12
9	1				1134-5825-01	• Nippel	• Nipple.....		
10	1				9578-0023-04	• Slangklämma.....	• Hose clamp		
11	1				1134-3499-02	• Slangklämma.....	• Hose clamp		
12	1				1134-5826-01	• Plugg	• Plug.....		
13	1				1134-6137-01	Motorremskiva	Engine pulley.....		
14	1				1134-6419-01	Motorremskiva	Engine pulley.....		
15	1				9600-0251-01	Kil	Key.....		
16	1				1134-5017-01	Bricka	Washer.....		
17	1				9987-5332-16	Skruv.....	Screw		
18	1				1134-5938-01	Bränsletank.....	Fuel tank		
19	1				1134-5532-01	Tanklock	Fuel tank cap.....		
20	1				1134-3224-01	Bensinkran.....	Fuel shut-off valve		
21	1				1134-3225-01	Gummibussning	Grommet.....		
22	1,1				9505-0001-01	Bensinslang (meter)	Fuel line (metre).....		Per meter
23	1				9578-0023-02	Slangklämma.....	Hose clamp		
24	1				9578-0023-02	Slangklämma.....	Hose clamp		
25	1				1134-5942-01	Tankbygel	Tank loop		
26	1				1134-5996-01	Tankbygel	Tank loop		
27	1				1134-4481-02	Vingmutter.....	Wing nut		
28	1				9747-0631-02	Låsmutter	Lock nut		
29	1				9579-0003-00	Buntband	Cable holder		
30	1				9852-8013-16	Skruv.....	Screw.....		
31	1				1134-0433-00	Ljuddämparpackning	Muffler gasket.....		
32	2				1134-4930-01	Skruv.....	Screw.....		
50	1				1134-6234-01	Deflektor	Heat deflector.....		
51	2				9943-0516-16	Skruv.....	Screw.....		
52	1				1134-6251-01	Deflektor	Heat deflector.....		
53	4				9959-0612-16	Skruv.....	Screw.....		
54	4				9739-0631-22	Mutter.....	Nut.....		

X

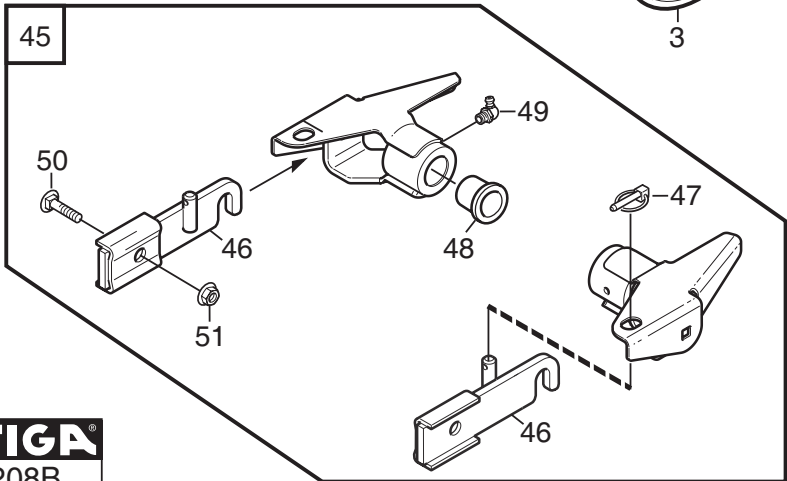
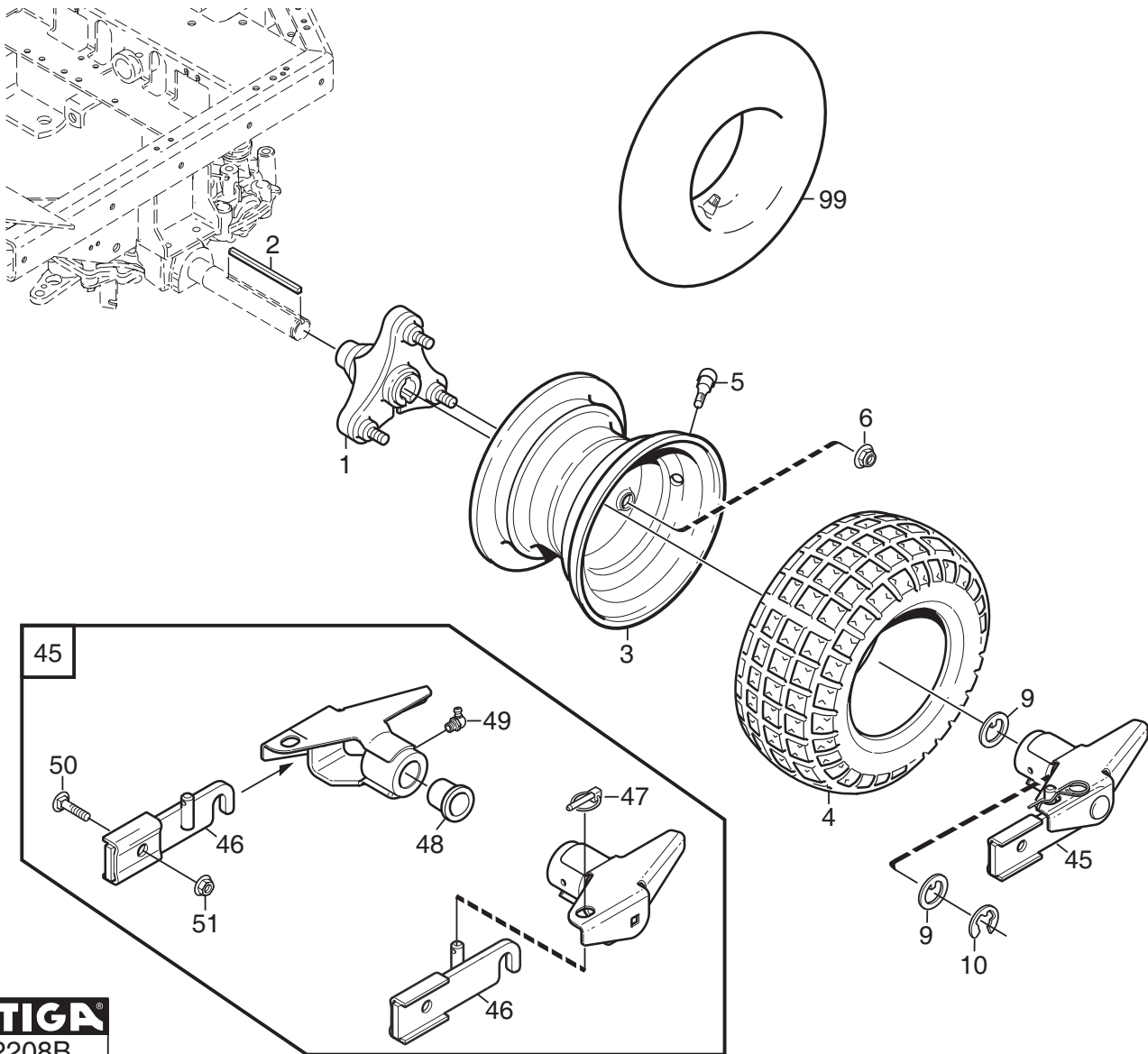
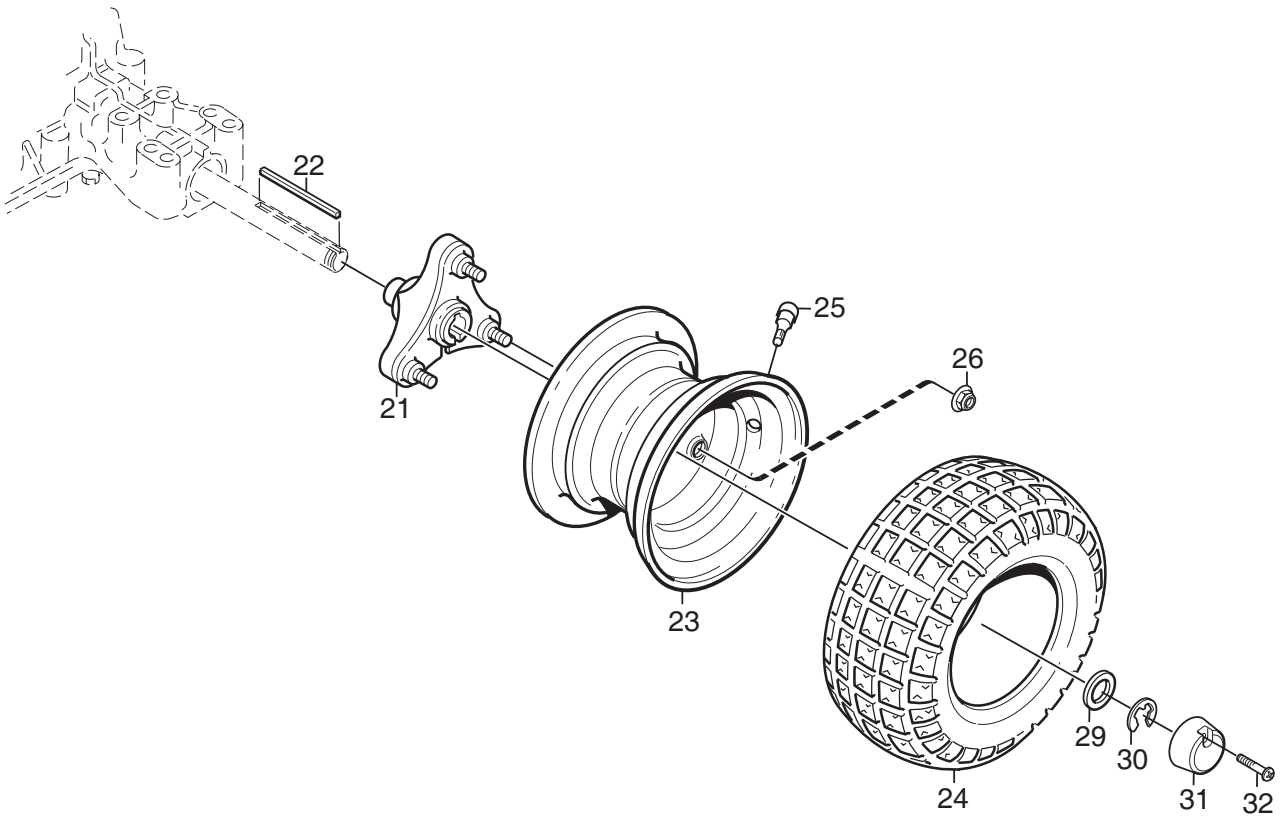


Utgåva Issue		Bildnr Picture No		PARK 4WD TRANSMISSION (mek)		PARK 4WD TRANSMISSION (mech)		Sida Page	
2010- 11		2038C						126	
Pos. Fig.	Antal/Quantity			Art nr Part No	Benämning	Description	Sats Kit	Anmärkning Notes	
	6178	6177							
1	1	1		1134-4000-02	Spännarm	Tension arm		= 9585-0091-01	
2	1	1		1134-3459-01	Spännrulle	Tension roller			
3	1	1		9924-1035-16	Skruv	Screw			
4	1	1		9799-1031-02	Mutter	Nut			
5	1	1		1134-9058-01	Drivrem	V- belt.....			
6	1	1		9997-0625-16	Skruv	Screw			
7	1	1		9739-0631-22	Mutter	Nut			
8	1	1		9747-0631-02	Låsmutter	Lock nut			
9	1	1		1134-3377-02	Reglagestång	Control rod.....			
10	1	1		1134-4171-01	Ledtapp	Pivot pin			
11	1	1		1134-4183-01	Tryckfjäder	Compression spring.....			
12	2	2		1134-3456-01	Bussning	Bushing.....			
13	1	1		9747-0631-02	Låsmutter	Lock nut			
14	1	1		1134-1565-08	Distans	Spacer			
15	1	1		9997-0870-16	Skruv	Screw			
16	1	1		9699-0056-02	Planbricka.....	Flat washer.....			
17	1	1		9747-0831-02	Mutter	Lock nut			
18	1	1		1134-3289-02	Remstyrning	Belt guide			
19	1	1		9959-0820-16	Skruv	Screw			
20	1	1		9699-0056-02	Planbricka.....	Flat washer.....			
21	1	1		9739-0831-22	Mutter	Nut			
22	1	1		1134-6414-01	Fjäder.....	Spring			
23	1	1		9699-0060-02	Planbricka.....	Flat washer.....			
24	1			1134-6129-01	Transaxel kpl.....	Transaxle assy.....	Kanzaki K574F 4- port Kanzaki K574G 2- port Kanzaki K574G 2- port Kanzaki K574F 4- port		
24		1		1134-6394-01	Transaxel kpl.....	Transaxle assy.....			
24		1		1137-0124-01	Transaxel kpl.....	Transaxle assy.....			
24	1			1137-0125-01	Transaxel kpl.....	Transaxle assy.....			
25	4	4		9960-0860-12	Skruv	Screw			
26	4	4		9747-0831-02	Mutter	Lock nut			
27	1	1		1134-3913-01	Reaktionsstag	Strut			
28	1	1		9959-0825-16	Skruv	Screw			
29	1	1		9997-0845-12	Skruv	Screw			
30	1	1		9699-0090-02	Planbricka.....	Flat washer.....			
31	2	2		9747-0831-02	Mutter	Lock nut			
32	1	1		9747-0631-02	Låsmutter	Lock nut			
33	1	1		4231-0013-00	Fjäder.....	Spring			
40	1	1		1134-6029-01	Motoraxel- fram	Transaxle- front	Kanzaki KTM 10M		
47	2	2		9960-0860-12	Skruv	Screw			
49	2	2		9747-0831-02	Mutter	Lock nut			
50	1	1		1134-5703-01	Flänslagerenhet	Flange bearing.....			
50A	1	1		9501-0500-00	• Smörjnippel	• Grease joint.....			
51	2	2		9997-1040-16	Skruv	Screw			
52	2	2		9731-1031-22	Mutter	Nut			
53	1	1		1134-5670-01	Reaktionsstag	Strut			
54	1	1		9997-0880-16	Skruv	Screw			
55	1	1		9699-0090-02	Planbricka.....	Flat washer.....			
56	1	1		9747-0831-02	Mutter	Lock nut			
57	2	2		9945-0816-16	Skruv	Screw			

X
X

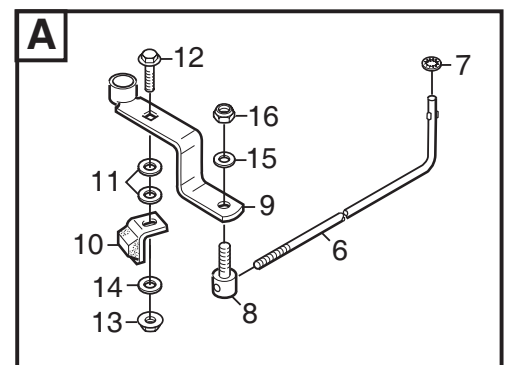
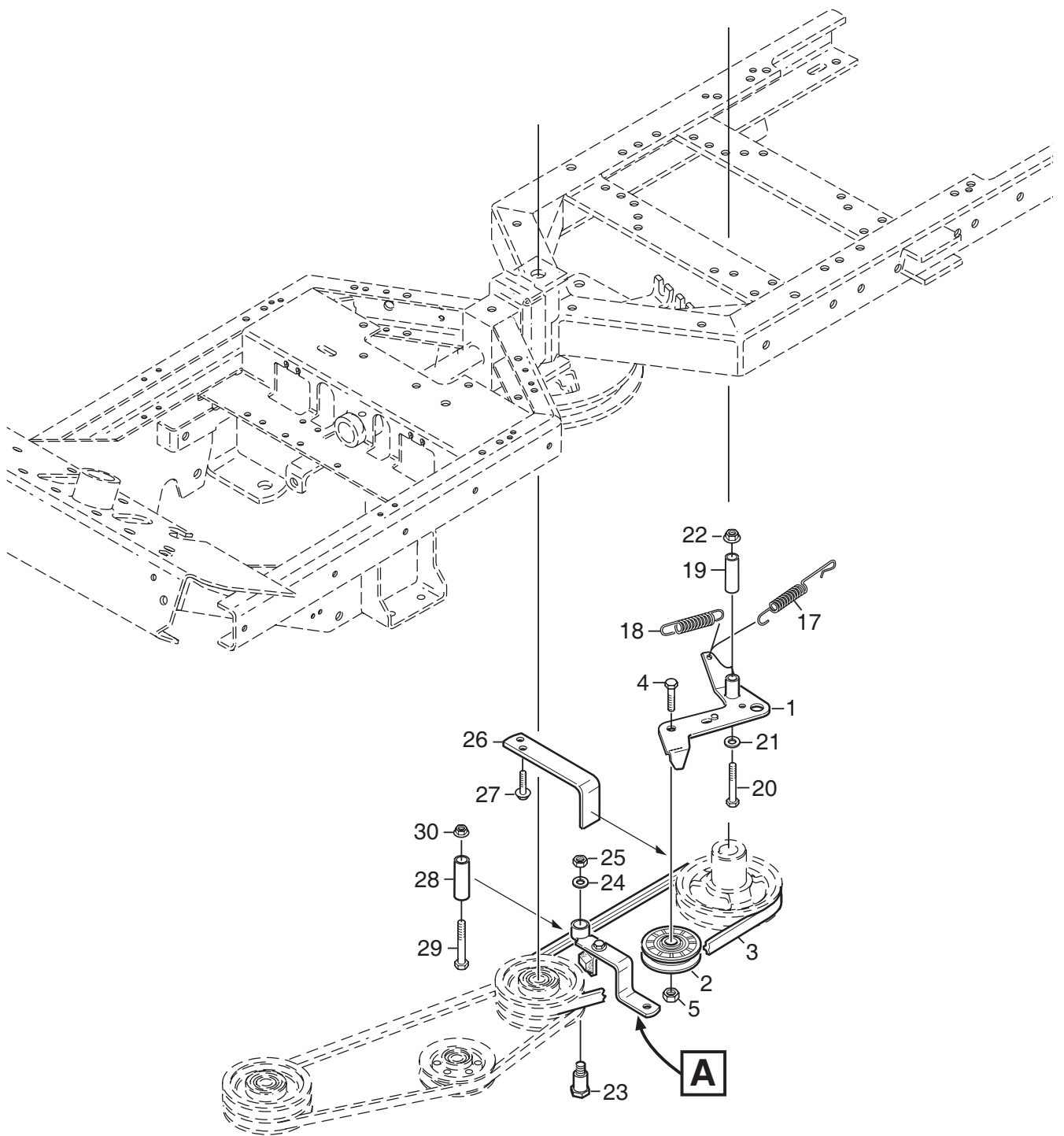


Utgåva Issue		Bildnr Picture No		PARK 4WD TRANSMISSION (hydr)		PARK 4WD TRANSMISSION (hydr)		Sida Page	
2010- 11		2039A						128	
Pos. Fig.	Antal/Quantity				Art nr Part No	Benämning	Description	Sats Kit	Anmärkning Notes
	6177								
6178									
1	1				1134-6044-01	Vinkeladapter	Angle coupling		3/4" x 9/16"
1A	1				9404-0029-01	• O-ring	• O-ring		
2	1				1134-5875-01	Skäringskoppling	Hydraulic coupling		3/4"
2A	1				9404-0029-01	• O-ring	• O-ring		
3	1				1134-6039-01	Hydraulrör	Hydraulic pipe		
4	1				1134-4948-01	Tredobricka	Seal washer		1/4"
5	1				1134-6042-01	Snabbkoppling- hane	Quick coupling- male		
6	1				9578-0028-01	Rörklammer	Tube clamp		
7	1				9959-0825-16	Skruv	Screw		
8	1				1134-1565-09	Distans	Spacer		
9	1				1134-5809-01	Adapter	Hydraulic coupling		3/4" x 9/16"
9A	1				9404-0029-01	• O-ring	• O-ring		
10	1				1134-5758-04	Hydraulslang	Hydraulic tube		
11	1				1134-6048-01	Hydraulslang	Hydraulic tube		
12	1				1134-6043-01	Hydraulslang	Hydraulic tube		
13	1				1134-6011-01	Hydraultank	Hydraulic oil tank		
13A	1				1134-5965-01	• Tanklock	• Tank cap		
14	1				1134-5941-01	Tankkonsol	Tank bracket		
15	2				9959-0820-16	Skruv	Screw		
16	2				9739-0831-22	Mutter	Nut		
17	1				1134-3203-01	Kabelgenomföring	Grommet		
18	1				1134-5943-01	Tankbygel	Tank loop		
19	2				9747-0631-02	Låsmutter	Lock nut		
20	3				9578-0023-04	Slangklämma	Hose clamp		
21	1				1134-2779-02	Slang	Tube		L = 260 mm
30	1				1134-6162-01	Fäste	Bracket		
31	2				9939-0612-16	Skruv	Screw		
32	2				9699-0025-02	Planbricka	Washer		
33	1				1134-6163-01	Wire	Cable		
34	1				9997-0835-12	Skruv	Screw		
35	2				9739-0831-22	Mutter	Nut		
36	1				1134-6084-01	Reglagekonsol	Control bracket		
37	1				1134-6083-01	Reglagestång	Control rod		
38	1				1134-4014-01	Plastknopp	Plastic button		
39	1				1134-2790-01	Gummihylsa	Rubber grommet		
40	1				9675-0009-02	Starlock	Starlock		
50	1				1134-4015-01	Dragstång	Pull rod		
51	1				1134-4014-01	Plastknopp	Plastic button		
52	1				1134-4713-01	Vinkel	Bracket		
53	1				1134-2790-01	Gummihylsa	Rubber grommet		
54	1				9959-0820-16	Skruv	Screw		
55	1				9739-0831-22	Mutter	Nut		
56	1				9675-0009-02	Starlock	Starlock		

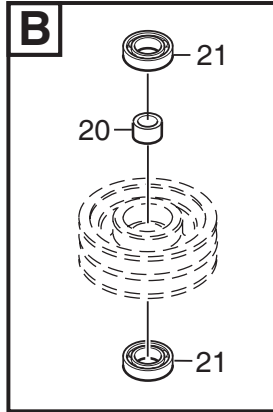
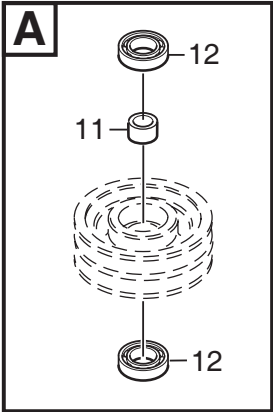
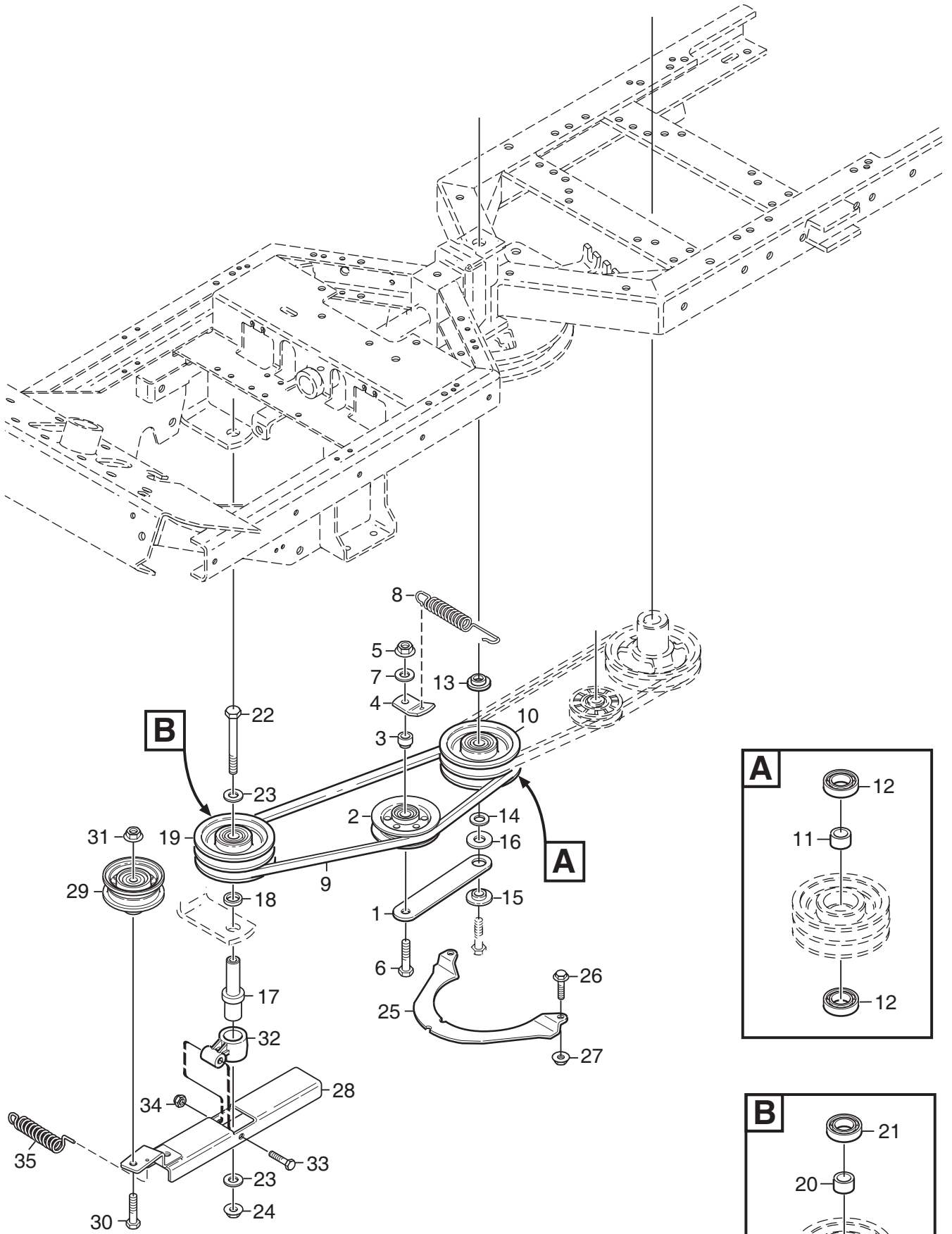


Utgåva Issue		Bildnr Picture No		PARK 4WD HJUL 16"		PARK 4WD WHEELS 16"		Sida Page	
2010- 11		2208B						130	
Pos. Fig.	Antal/Quantity				Art nr Part No	Benämning	Description	Sats Kit	Anmärkning Notes
	6177	6178							
1	2				1134-4844-03 Hjulnav	Wheel hub			
2	2				1134-3383-02 Kil	Key			
3	2				1134-4558-01 Fälg	Rim			
4	2				9545-0116-00 Däck	Tyre			16 x 7.50 - 8
5	2				9545-0500-00 Ventil	Valve			
6	6				9731-1031-22 Mutter	Nut			
9	4				1134-5797-01 • Bricka	• Washer			
10	2				9653-0002-04 • Spärryttare	• Lock ring			
21	2				1134-4844-02 Hjulnav	Wheel hub			
22	2				1134-2471-01 Kil	Key			
23	2				1134-4558-01 Fälg	Rim			
24	2				9545-0116-00 Däck	Tyre			16 x 7.50 - 8
25	2				9545-0500-00 Ventil	Valve			
26	6				9731-1031-22 Mutter	Nut			
29	2				9699-0042-02 Planbricka	Flat washer			
30	2				9653-0001-04 Spärryttare	Lock ring			
31	2				1134-4796-01 Navkapsel	Hub cap			
32	2				9947-0540-19 Skruv	Screw			
45	1				13-0993-61 Snabbfäste kpl	Quick connections			Inkl. pos 9,10,46-51
46	1				1134-7465-01 • Fästen kpl, vä+hö	• Attachment kit, LH+RH			Inkl. pos 50-51
47	2				1137-0077-01 • Låssprint	• Locking pin			
48	4				1134-5686-01 • Lagerbussning	• Bearing bush			
49	2				9501-0502-00 • Smörjnippel	• Grease joint			
50	2				9898-1035-16 •• Skruv	•• Screw			
51	2				9739-1031-22 •• Mutter	•• Nut			
99					9545-0203-00 Innerslang	Inner tube			Reservdel/spare part

X



Utgåva Issue		Bildnr Picture No		PARK 4WD KRAFTUTTAG 1		PARK 4WD POWER TAKE-OFF 1		Sida Page	
2010-11		2030						132	
Pos. Fig.	Antal/Quantity				Art nr Part No	Benämning	Description	Sats Kit	Anmärkning Notes
	6177	6178							
1	1				1134-2018-02 Spännarm	Tension arm			
2	1				1134-9027-02 Spännrulle- grå	Tension roller- grey			
3	1				1134-9071-01 Drivrem	V- belt			= 9585-0129-01
4	1				9997-1030-16 Skruv	Screw			
5	1				9799-1031-02 Mutter	Nut			
6	1				1134-4162-01 Bromsstång	Brake rod			
7	1				9675-0008-02 Starlock	Locking washer			
8	1				1134-4170-01 Nippel	Nipple			
9	1				1134-4111-01 Bromsarm	Brake arm			
10	1				1134-4164-03 Bromsklots	Brake pad			
11	2				9699-0035-02 Planbricka	Flat washer			
12	1				9897-0825-16 Skruv	Screw			
13	1				9747-0831-02 Mutter	Lock nut			
14	1				9699-0090-02 Planbricka	Flat washer			
15	1				9699-0025-02 Planbricka	Washer			
16	1				9747-0631-02 Låsmutter	Lock nut			
17	1				4231-0013-00 Fjäder	Spring			
18	1				1134-4231-01 Dragfjäder	Spring			
19	1				1134-1565-10 Distans	Spacer			
20	1				9997-0860-16 Skruv	Screw			
21	1				9699-0056-02 Planbricka	Flat washer			
22	1				9739-0831-22 Mutter	Nut			
23	1				1134-4163-01 Ansattsskruv	Shoulder bolt			
24	1				9699-0035-02 Planbricka	Flat washer			
25	1				9739-1031-22 Mutter	Nut			
26	1				1134-3958-01 Remstyrning	Belt guide			
27	2				9893-0616-16 Skruv	Screw			
28	1				1134-0041-03 Hylsa	Collar			
29	1				9997-1070-12 Skruv	Screw			
30	1				9739-1031-22 Mutter	Nut			



Utgåva Issue		Bildnr Picture No		PARK 4WD KRAFTUTTAG 2		PARK 4WD POWER TAKE-OFF 2		Sida Page	
2010-11		2031A						134	
Pos. Fig.	Antal/Quantity				Art nr Part No	Benämning	Description	Sats Kit	Anmärkning Notes
	6177	6178							
1	1				1134-1730-01 Spännhjulssarm	Tension wheel arm			
2	1				1134-3663-01 Spännrulle	Tension wheel			
3	1				1134-1888-05 Distans	Spacer			
4	1				1134-1893-01 Fjäderfäste	Spring attachment			
5	1				9739-1031-22 Mutter	Nut			
6	1				9997-1060-12 Skruv	Screw			
7	1				9699-0035-02 Planbricka	Flat washer			
8	1				1134-5713-01 Dragfjäder	Spring			
9	1				1134-9098-01 Drivrem	V-belt			= 9585-0148-01
10	1				1134-1769-03 Centrumremskiva kpl.	Centre pulley assy			
11	1				1134-0051-09 • Distans	• Spacer			
12	2				9549-0019-00 • Kullager	• Ball bearing			
13	1				1134-5548-01 Distans	Spacer			
14	1				9699-0035-02 Planbricka	Flat washer			
15	1				1134-0222-00 Bricka	Washer			
16	1				9699-0109-02 Planbricka	Flat washer			
17	1				1134-5663-01 Axel	Shaft			
18	1				1134-0052-00 Lagerdistans	Bearing spacer			
19	1				1134-1769-03 Centrumremskiva kpl.	Centre pulley assy			
20	1				1134-0051-09 • Distans	• Spacer			
21	2				9549-0019-00 • Kullager	• Ball bearing			
22	1				9997-1011-06 Skruv	Screw			
23	2				9699-0030-02 Planbricka	Flat washer			
24	1				9739-1031-22 Mutter	Nut			
25	1				1134-3654-01 Fingerskydd	Finger guard			
26	2				9959-0612-16 Skruv	Screw			
27	2				9739-0631-22 Mutter	Nut			
28	1				1134-5660-01 Spännarm	Tension arm			
29	1				1134-5823-01 Spännrulle	Tension roller			
30	1				9997-1050-16 Skruv	Screw			
31	1				9739-1031-22 Mutter	Nut			
32	1				1134-6314-01 Spännarmsfäste	Attachment			
33	1				9997-0645-12 Skruv	Screw			
34	1				9747-0631-02 Låsmutter	Lock nut			
35	1				1134-5824-01 Fjäder	Spring			