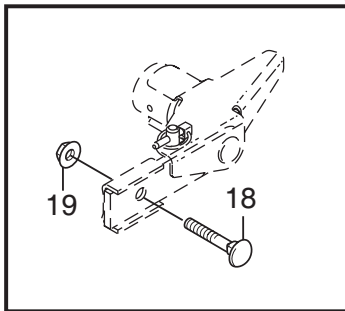
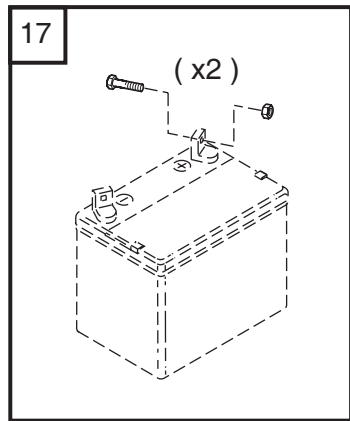
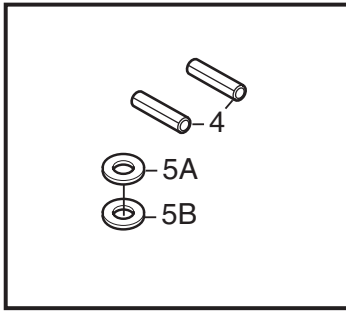
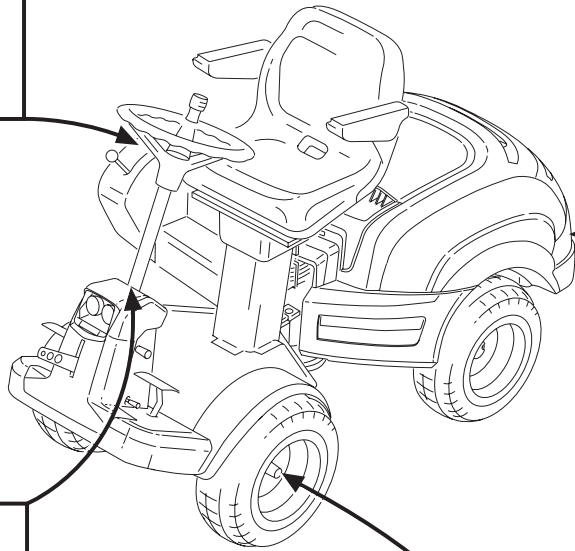
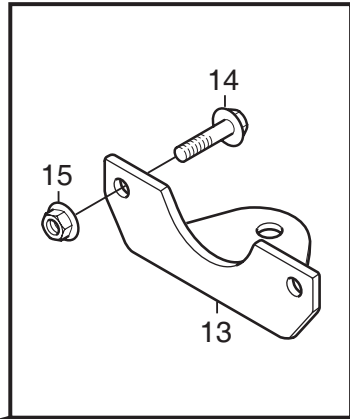
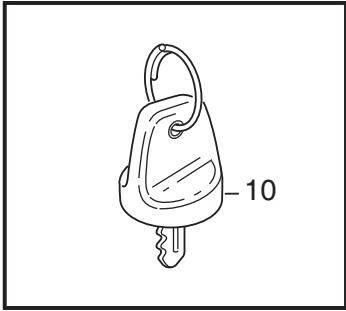
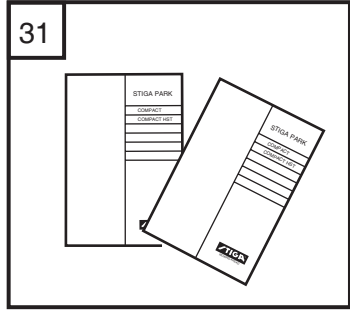
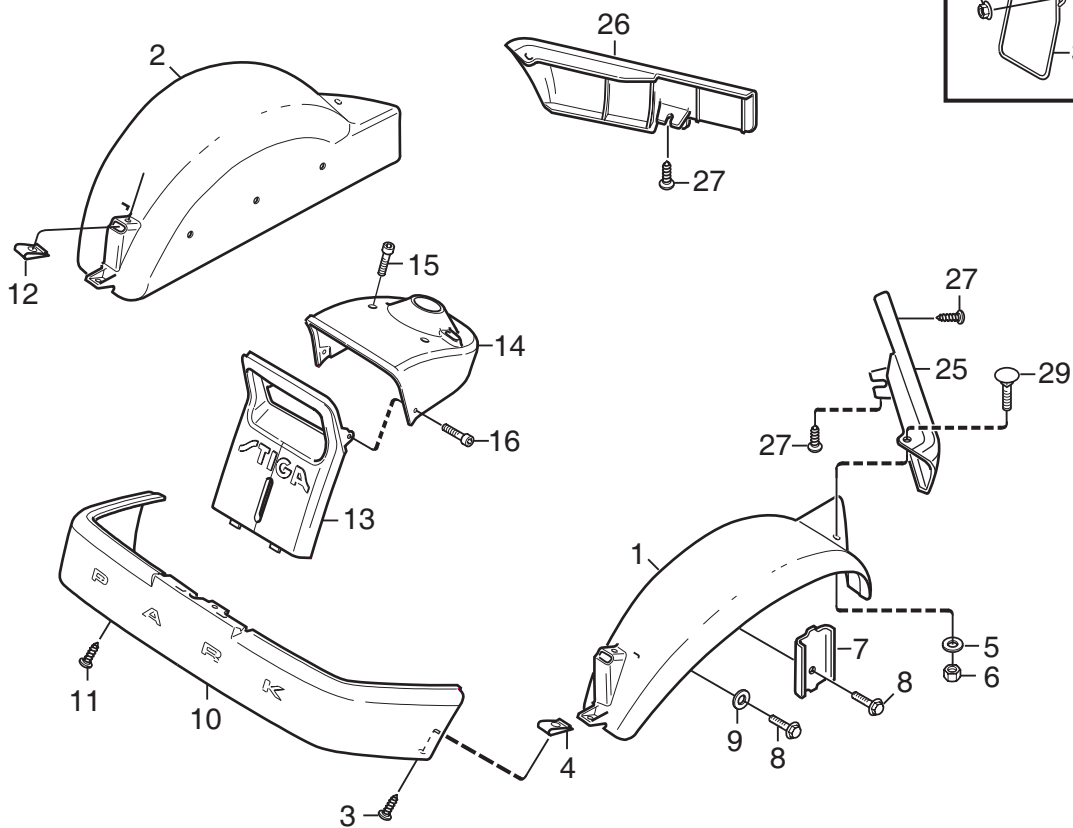
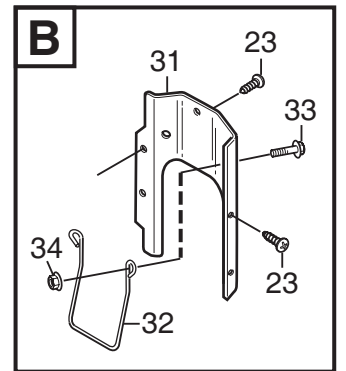
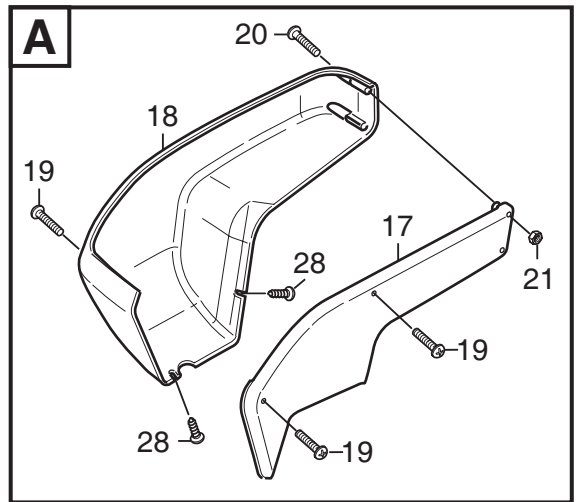
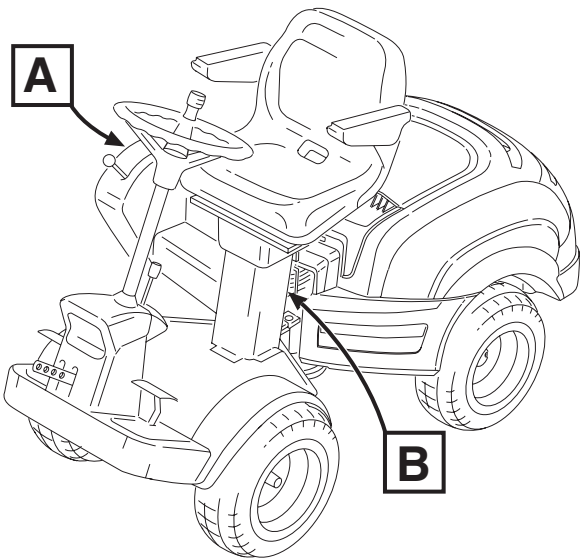


Genuine Spare Parts

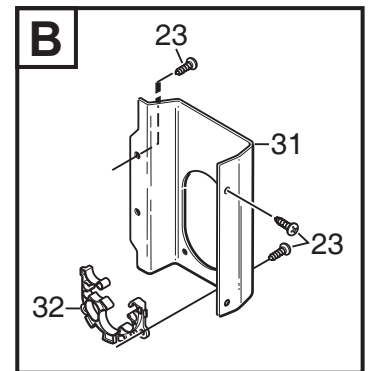
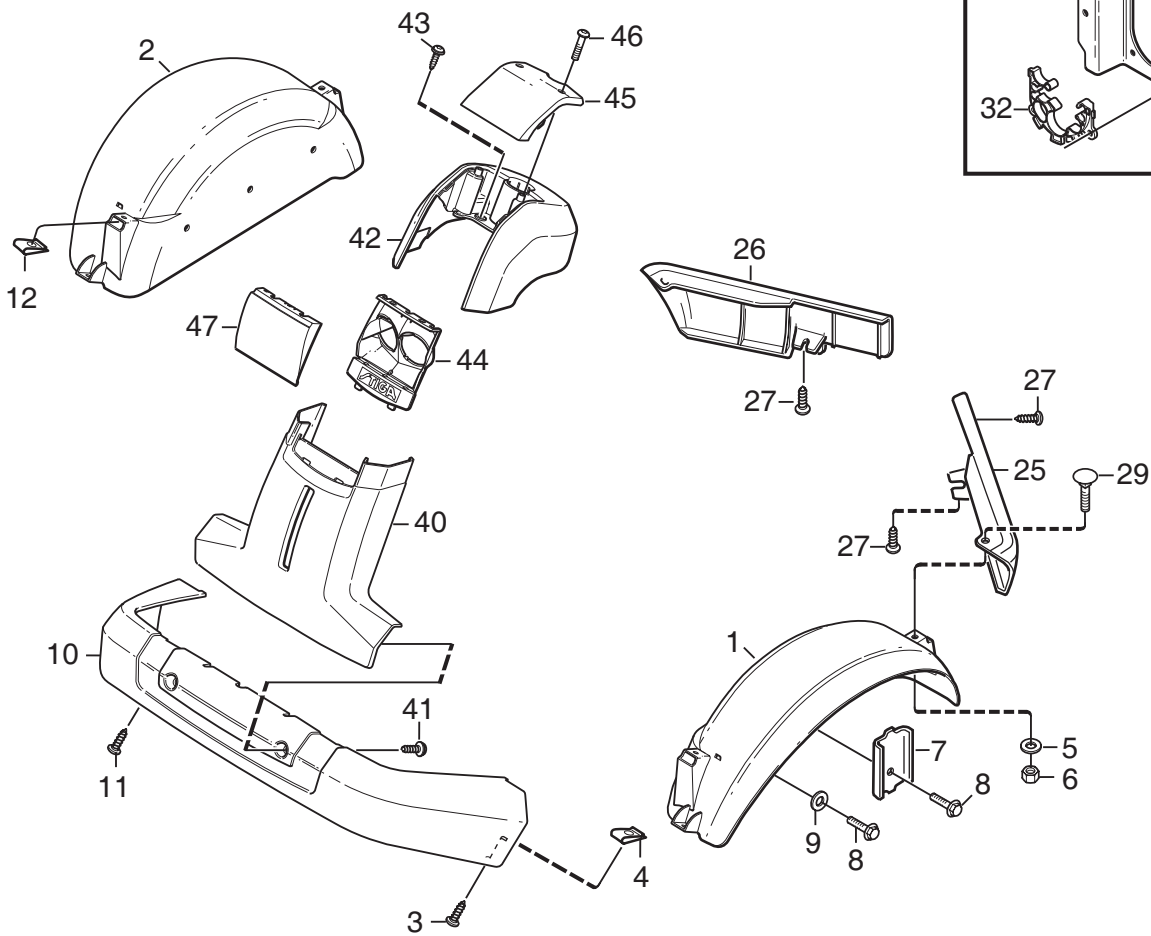
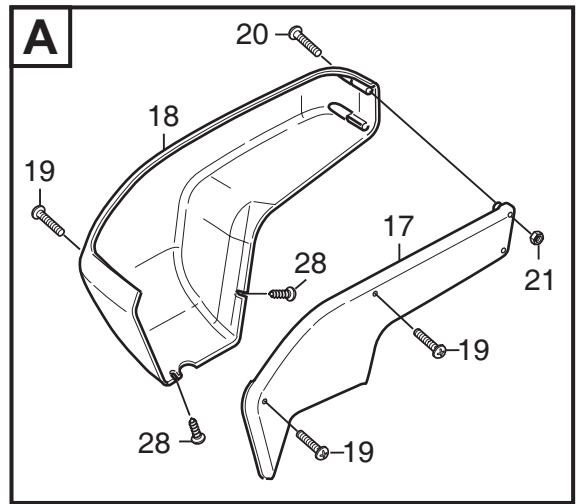
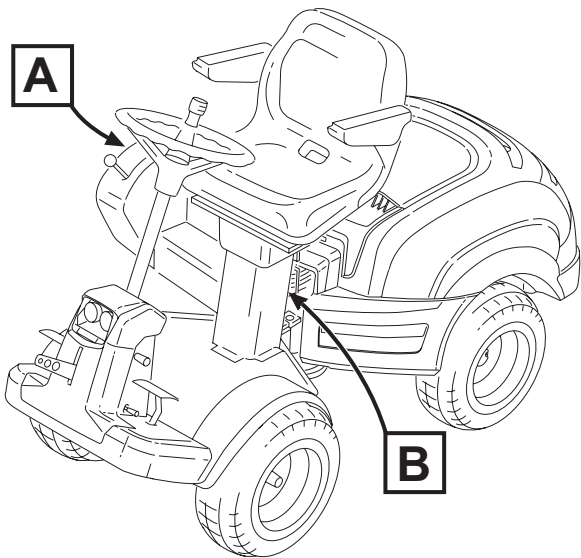




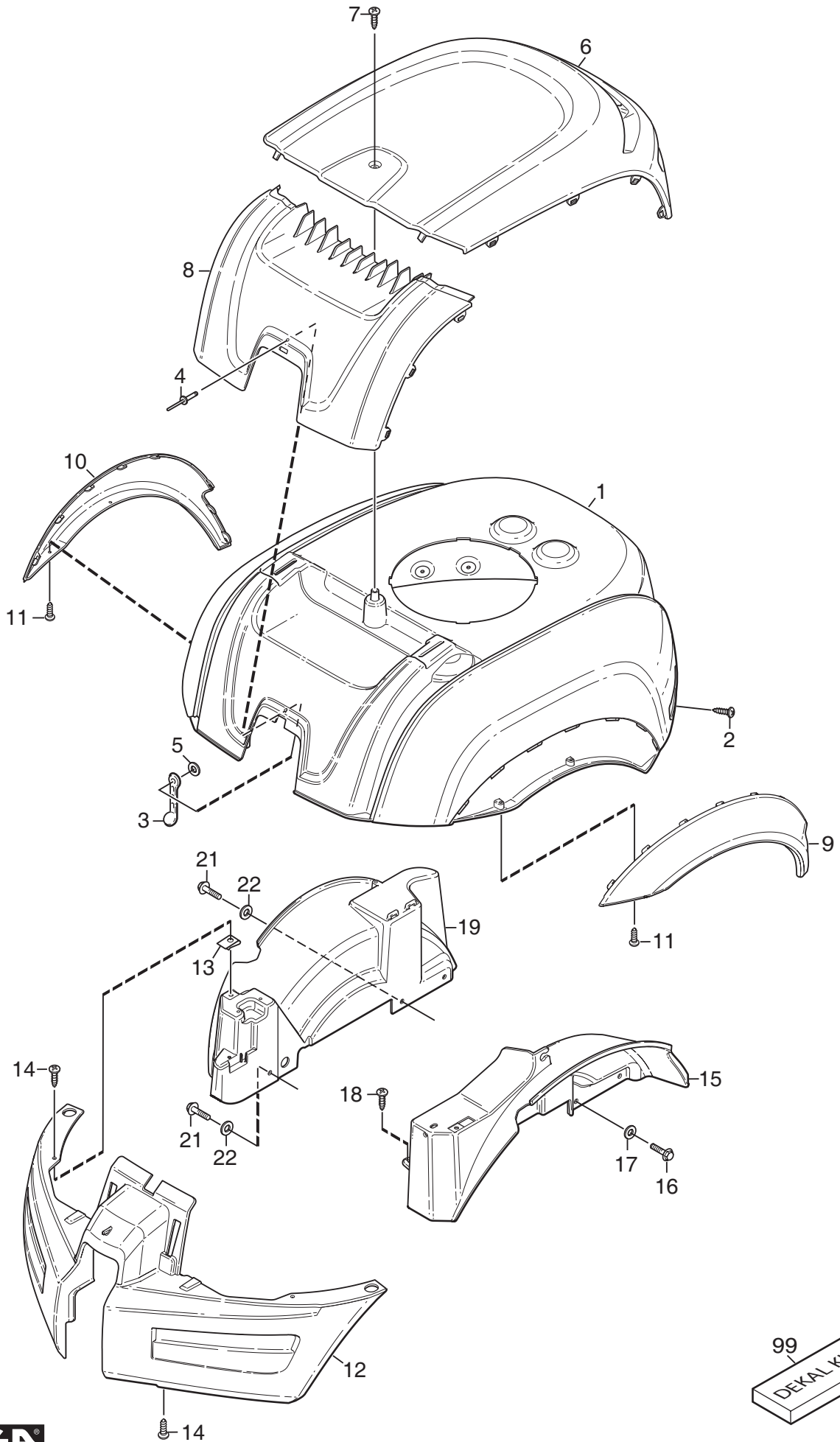
Utgåva Issue		Bildnr Picture No		PARK PRO 4WD MONTERINGSDETALJER		PARK PRO 4WD ASSEMBLY PARTS		Sida Page	
2010- 11		1788C						136	
Pos. Fig.	Antal/Quantity				Art nr Part No	Benämning	Description	Sats Kit	Anmärkning Notes
	6271	6272	6273	6274					
4	2	2			9595-0262-00	Spännstift	Locating pin		
5A	1	1			9699-0103-02	Shims	Flat washer		0.5 mm
5B	1	1			9699-0114-02	Shims	Flat washer		1.0 mm
10	2	2			1134-4734-01	Tändningsnyckel	Ignition key		
13	1	1			1134-5512-01	Dragplåt	Towing plate		
14	2	2			9959-0820-16	Skruv	Screw		
15	2	2			9739-0831-22	Mutter	Nut		
17	1	1			1134-6113-02	Batteriskruvar	Battery screws		
18	2	2			9898-1035-16	Skruv	Screw		
19	2	2			9739-1031-22	Mutter	Nut		
X	31		1		8211-0047-00	Bruksanvisning	Owner's manual		
X	31	1			8211-0050-00	Bruksanvisning	Owner's manual		
X	31	1			8211-0614-00	Monteringsanvisning	Assy instructions		
	31	1	1		8211-0701-91	Säkerhetsföreskrifter	Safety regulations		
	31	1			8211-0901-90	Servicebok	Service book		
	31	1	1		8211-0960-90	Garantikort	Warranty card		



Utgåva Issue 2010- 11		Bildnr Picture No 1789B		PARK PRO 4WD PRO SILVER KAROSS-FRAM		PARK PRO 4WD PRO SILVER BODY WORK-FRONT		Sida Page 138	
Pos. Fig.	Antal/Quantity				Art nr Part No	Benämning	Description	Sats Kit	Anmärkning Notes
	6275								
1	1				1134-3943-11	Skärm- vä, grå	Mud guard- LH, grey		
2	1				1134-3943-12	Skärm- hö, grå	Mud guard- RH, grey		
3	2				9893-0616-16	Skruv	Screw		
4	2				1134-4176-01	Clips	Clips		
5	2				9699-0060-02	Planbricka	Flat washer		
6	2				9747-0631-02	Låsmutter	Lock nut		
7	2				1134-0225-00	Stödplåt	Support plate		
8	6				9945-0816-16	Skruv	Screw		
9	4				9699-0056-02	Planbricka	Flat washer		
10	1				1134-4220-02	Stötfångare- grå	Bumper- grey		
11	6				9893-0616-16	Skruv	Screw		
12	2				1134-4176-01	Clips	Clips		
13	1				1134-4216-05	Frontdekor- gul	Front plate- yellow		
14	1				1134-3984-03	Frontdekor övre- gul	Front plate upper- yel		
15	2				9946-0525-16	Skruv	Screw		
16	2				9840-8013-16	Skruv	Screw		
17	1				1134-4360-01	Kåpa- inre	Cover- inner		
18	1				1134-3979-01	Kåpa- yttre	Cover- outer		
19	3				9946-0525-16	Skruv	Screw		
20	2				9950-0570-12	Skruv	Screw		
21	2				9747-0531-02	Mutter	Nut		
23	4				9893-0616-16	Skruv	Screw		
25	1				1134-3970-05	Kantlist- vä, grå	Moulding- LH, grey		
26	1				1134-3970-02	Kantlist- hö, grå	Moulding- RH, grey		
27	4				9893-0616-16	Skruv	Screw		
28	2				9840-8013-16	Skruv	Screw		
29	2				9897-0616-16	Vagnsbult	Carriage bolt		
31	1				1134-6461-01	Bakstycke	Rear plate		
32	1				1134-6460-01	Skyddsbygel	Protective loop		
33	2				9959-0820-16	Skruv	Screw		
34	2				9739-0831-22	Mutter	Nut		

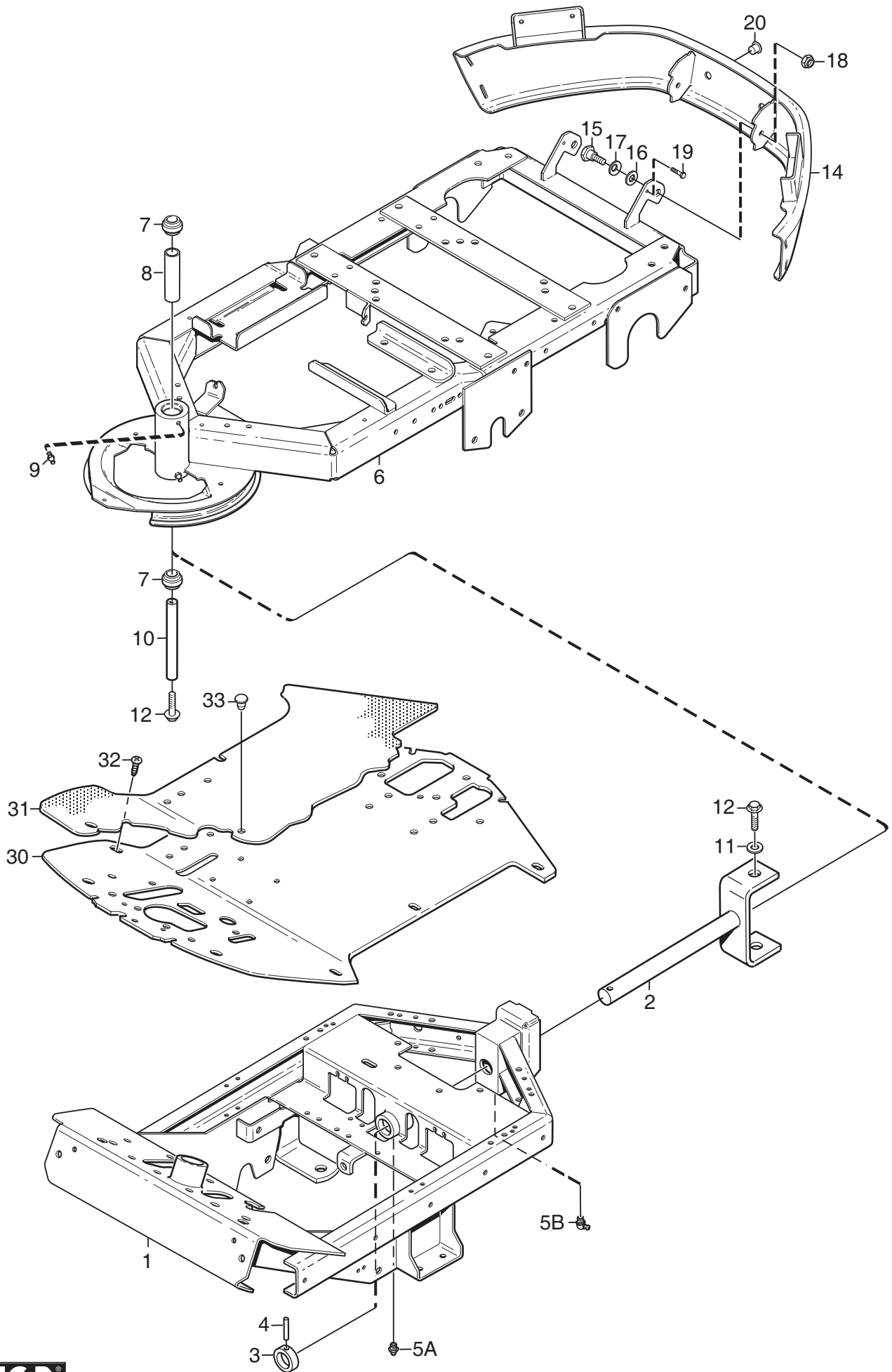


Utgåva Issue 2010-11		Bildnr Picture No 2749		PARK PRO 4WD PRO SVAN- PRO 16- 20- 23 KAROSS- FRAM		PARK PRO 4WD PRO SVAN- PRO 16- 20- 23 BODY WORK- FRONT		Sida Page 140	
Pos. Fig.	Antal/Quantity				Art nr Part No	Benämning	Description	Sats Kit	Anmärkning Notes
	6271	6272	6273	6274					
X	1	1			1137-0048-01	Skärm- vä, grå	Mud guard- LH, grey		
X	2	1			1137-0048-02	Skärm- hö, grå	Mud guard- RH, grey		
	3	2			9893-0616-16	Skruv	Screw		
	4	2			1134-4176-01	Clips	Clips		
	5	2			9699-0060-02	Planbricka	Flat washer		
	6	2			9747-0631-02	Låsmutter	Lock nut		
X	7	2			1137-0088-01	Stödplåt	Support plate		
	8	6			9945-0816-16	Skruv	Screw		
	9	4			9699-0056-02	Planbricka	Flat washer		
X	10	1			1137-0049-01	Stötfångare- grå	Bumper- grey		
	11	6			9893-0616-16	Skruv	Screw		
	12	2			1134-4176-01	Clips	Clips		
	17	1			1134-4360-01	Kåpa- inre	Cover- inner		
	18	1			1134-3979-01	Kåpa- yttre	Cover- outer		
	19	3			9946-0525-16	Skruv	Screw		
	20	2			9950-0570-12	Skruv	Screw		
	21	2			9747-0531-02	Mutter	Nut		
	23	6			9893-0616-16	Skruv	Screw		
	25	1			1134-3970-05	Kantlist- vä, grå	Moulding- LH, grey		
	26	1			1134-3970-02	Kantlist- hö, grå	Moulding- RH, grey		
	27	4			9893-0616-16	Skruv	Screw		
	28	2			9840-8013-16	Skruv	Screw		
	29	2			9897-0616-16	Vagnsbult	Carriage bolt		
X	31	1			1137-0061-01	Bakstycke	Rear plate		
X	32	1			1137-0065-01	Slanghållare	Tube collector		
X	40	1			1137-0050-01	Frontkåpa- nedre	Front panel- lower		
	41	2			9838-9516-12	Skruv	Screw		
X	42	1			1137-0051-01	Frontkåpa- övre	Front panel- upper		
	43	2			9946-0525-16	Skruv	Screw		
X	44	1			1137-0052-01	Lamphållare	Lamp holder		
X	45	1			1137-0053-01	Toppkåpa	Top panel		
	46	2			9838-9516-12	Skruv	Screw		
X	47	1			1137-0054-01	Lampglass	Lamp glass		

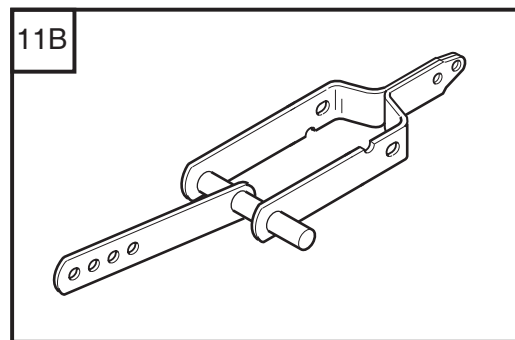
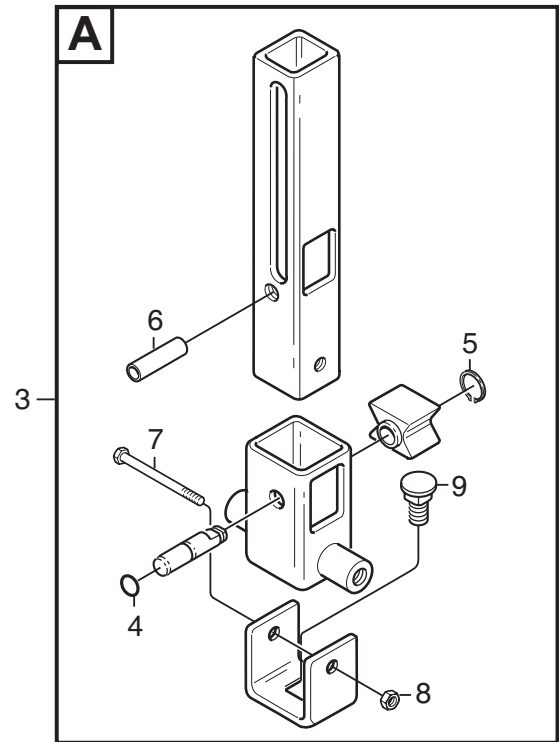
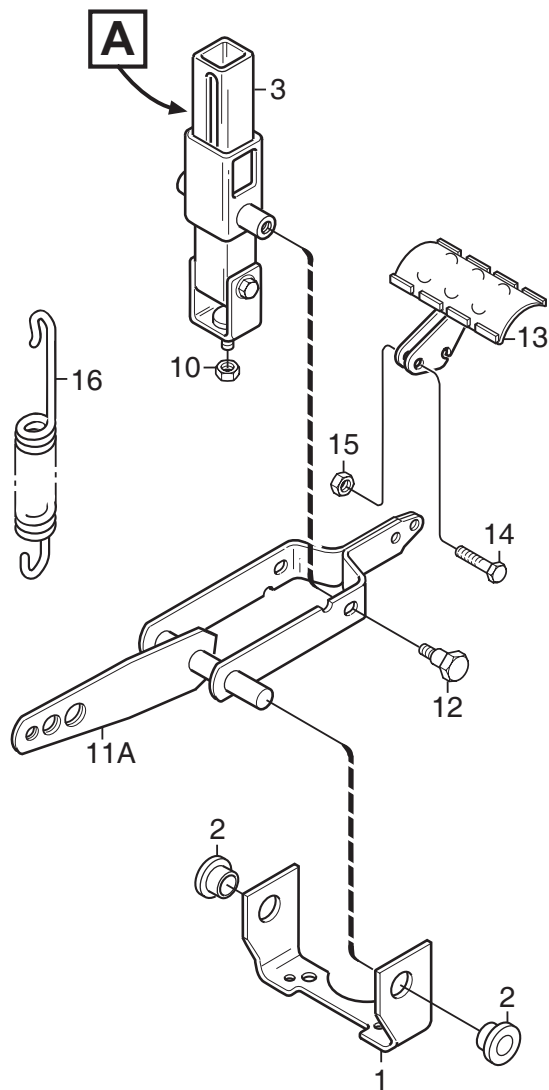
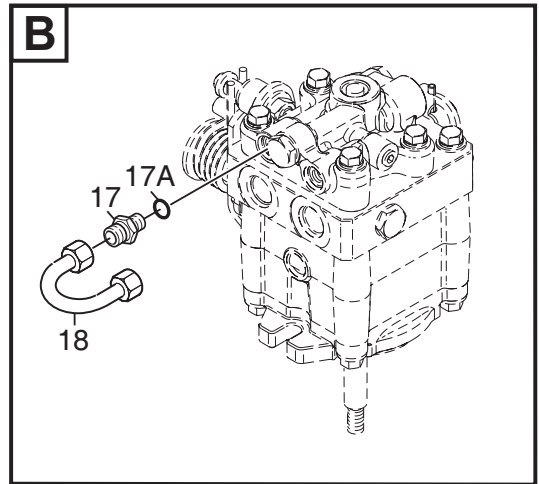
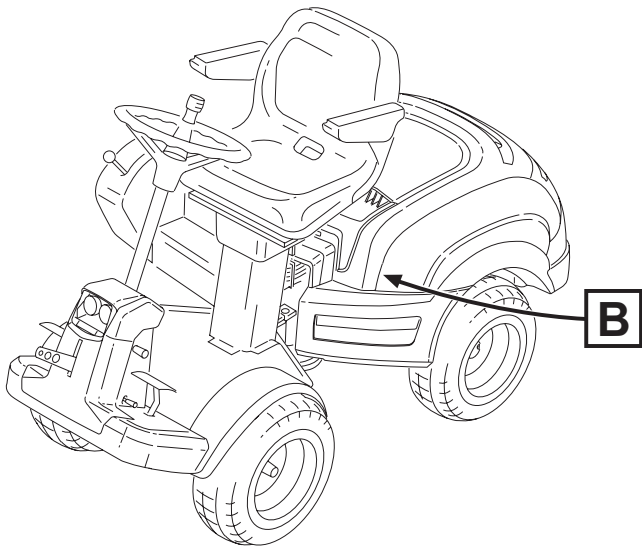


Utgåva Issue 2010-11		Bildnr Picture No 1790		PARK PRO 4WD KAROSS- BAK		PARK PRO 4WD BODY WORK- REAR		Sida Page 142	
Pos. Fig.	Antal/Quantity				Art nr Part No	Benämning	Description	Sats Kit	Anmärkning Notes
	6272	6271	6273	6274 6275					
1	1	1	1	1	1134-5634-01	Motorhuv.....	Engine hood.....		
2	4	4	4	4	9893-0616-16	Skruv.....	Screw.....		
3	1	1	1	1	1134-9028-01	Gummistropp- sats.....	Rubber strap kit.....		Sats 3 st/kit if 3
4	1	1	1	1	9632-0513-00	Popnit.....	Pop rivet.....		
5	1	1	1	1	9699-0120-02	Bricka.....	Washer.....		
6	1	1	1	1	1134-5636-01	Motorlucka.....	Engine cover.....		
7	1	1	1	1	9838-9516-12	Skruv.....	Screw.....		
8	1	1	1	1	1134-5635-01	Frontlucka.....	Engine front cover.....		
9	1	1	1	1	1134-5638-01	Skärmbreddare- vä.....	Wheel arch liner- LH.....		
10	1	1	1	1	1134-5638-02	Skärmbreddare- hö.....	Wheel arch liner- RH.....		
11	4	4	4	4	9838-9516-12	Skruv.....	Screw.....		
12	1	1	1	1	1134-5637-01	Spoiler.....	Spoiler.....		
13	2	2	2	2	1134-4176-01	Clips.....	Clips.....		
14	4	4	4	4	9893-0616-16	Skruv.....	Screw.....		
15	1	1	1	1	1134-5647-01	Innerskärm- vä.....	Inner fender- LH.....		
16	3	3	3	3	9945-0816-16	Skruv.....	Screw.....		
17	3	3	3	3	9699-0056-02	Planbricka.....	Flat washer.....		
18	1	1	1	1	9893-0616-16	Skruv.....	Screw.....		
19	1	1	1	1	1134-5647-02	Innerskärm- hö.....	Inner fender- RH.....		
21	3	3	3	3	9945-0816-16	Skruv.....	Screw.....		
22	3	3	3	3	9699-0056-02	Planbricka.....	Flat washer.....		
99		1			1134-4593-11	Dekalsats.....	Label kit.....		Pro 16
99			1		1134-4593-12	Dekalsats.....	Label kit.....		Pro 20
99	1				1134-4593-14	Dekalsats.....	Label kit.....		Pro Svan
99				1	1134-4593-15	Dekalsats.....	Label kit.....		Pro 23 (not P Silver)

X



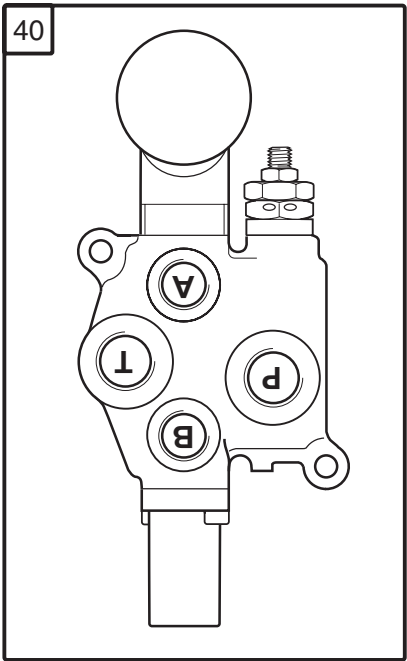
Utgåva Issue		Bildnr Picture No		PARK PRO 4WD RAM		PARK PRO 4WD FRAME		Sida Page	
2010- 11		1791B						144	
Pos. Fig.	Antal/Quantity				Art nr Part No	Benämning	Description	Sats Kit	Anmärkning Notes
	6271	6272	6273	6274					
		6275							
X	1	1	1		1137-0100-01	Ram- främre	Frame- front		Rak/straight 90°
	2	1	1		1134-3963-02	• Midjegaffel	• Clevis		
	3	1	1		1134-0031-00	• Ledaxelstopp	• Pivot shaft stop		
	4	1	1		9595-0262-00	• Spännstift	• Locating pin		
	5A	1	1		9501-0500-00	• Smörjnippel	• Grease joint		
X	5B	1	1		9501-0504-01	• Smörjnippel	• Grease joint		
	6	1	1		1134-5953-01	Ram- bakre	Frame- rear		
	7	2	2		9547-0001-00	• Ledlager	• Bearing		
	8	1	1		1134-5705-01	• Distans	• Spacer		
	9	2	2		9501-0500-00	• Smörjnippel	• Grease joint		
	10	1	1		1134-5988-01	Centrumaxel	Centre shaft		
	11	1	1		9699-0035-02	Planbricka	Flat washer		
	12	2	2		9959-1025-16	Skruv	Screw		
	14	1	1		1134-5676-01	Stötfångare	Bumper		
	15	2	2		1134-0240-00	Ansattsskruv	Shoulder screw		
	16	2	2		1134-4242-01	Distansbricka	Spacer washer		
	17	2	2		9665-0002-00	Brickfjäder	Bowed washer		
	18	2	2		9747-0831-02	Mutter	Lock nut		
	19	2	2		9943-0516-16	Skruv	Screw		
	20	2	2		1134-4100-01	Täckpropp	Plug		
	30	1	1		1134-6586-01	Durk	Floor plate		
	31	1	1		1134-6372-04	Durkmatta	Floor mat		
	32	2	2		9893-0616-16	Skruv	Screw		
	33	2			9403-0048-70	Täckpropp	Plug		



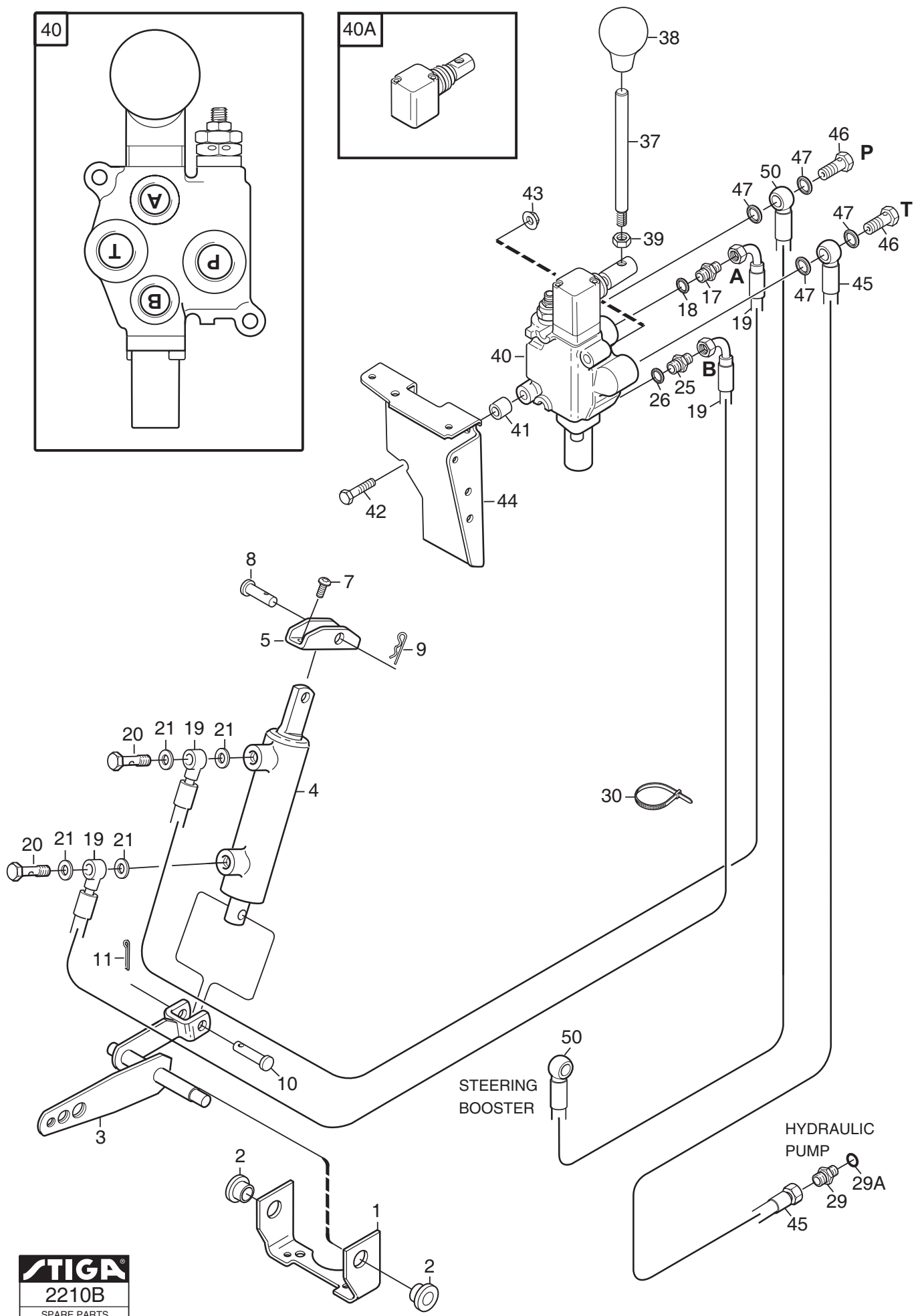
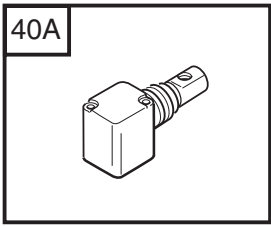
Utgåva Issue 2010-11		Bildnr Picture No 1792A		PARK PRO 4WD PRO 16- PRO SILVER PEDALLYFT		PARK PRO 4WD PRO 16- PRO SILVER PEDAL LIFT		Sida Page 146	
Pos. Fig.	Antal/Quantity				Art nr Part No	Benämning	Description	Sats Kit	Anmärkning Notes
	6271	6275							
1	1	1			1134-4117-01	Fäste	Bracket		
2	2	2			1134-2684-01	Lager	Bearing		
3	1	1			1134-4945-01	Lyftspärr kpl	Lift catch assy		
4	1	1			9404-0027-01	• O- ring	• O- ring		
5	1	1			9650-0039-04	• Seegersäkring	• Lock ring		
6	1	1			9595-0276-01	• Spännstift	• Locating pin		
7	1	1			9997-0640-12	• Skruv	• Screw		
8	1	1			9747-0631-02	• Låsmutter	• Lock nut		
9	1	1			9897-0820-16	• Skruv	• Screw		
10	1	1			9747-0831-02	Mutter	Lock nut		
11A	1				1137-0109-01	Lyftarm	Lift arm		
11B		1			1134-4860-01	Lyftgaffel	Lift fork		
12	2	2			1134-0240-00	Ansattsskruv	Shoulder screw		
13	1	1			1134-4938-01	Lyftpedal	Lift pedal		
14	2	2			9997-0625-16	Skruv	Screw		
15	2	2			9739-0631-22	Mutter	Nut		
16	1	1			4231-0013-00	Fjäder	Spring		
17	2	2			1134-5820-01	Skärningskoppling	Hydraulic coupling		
17A	1	1			9404-0028-01	• O- ring	• O- ring		
18	1	1			1134-5817-01	Hydraulrör	Hydraulic tube		

X

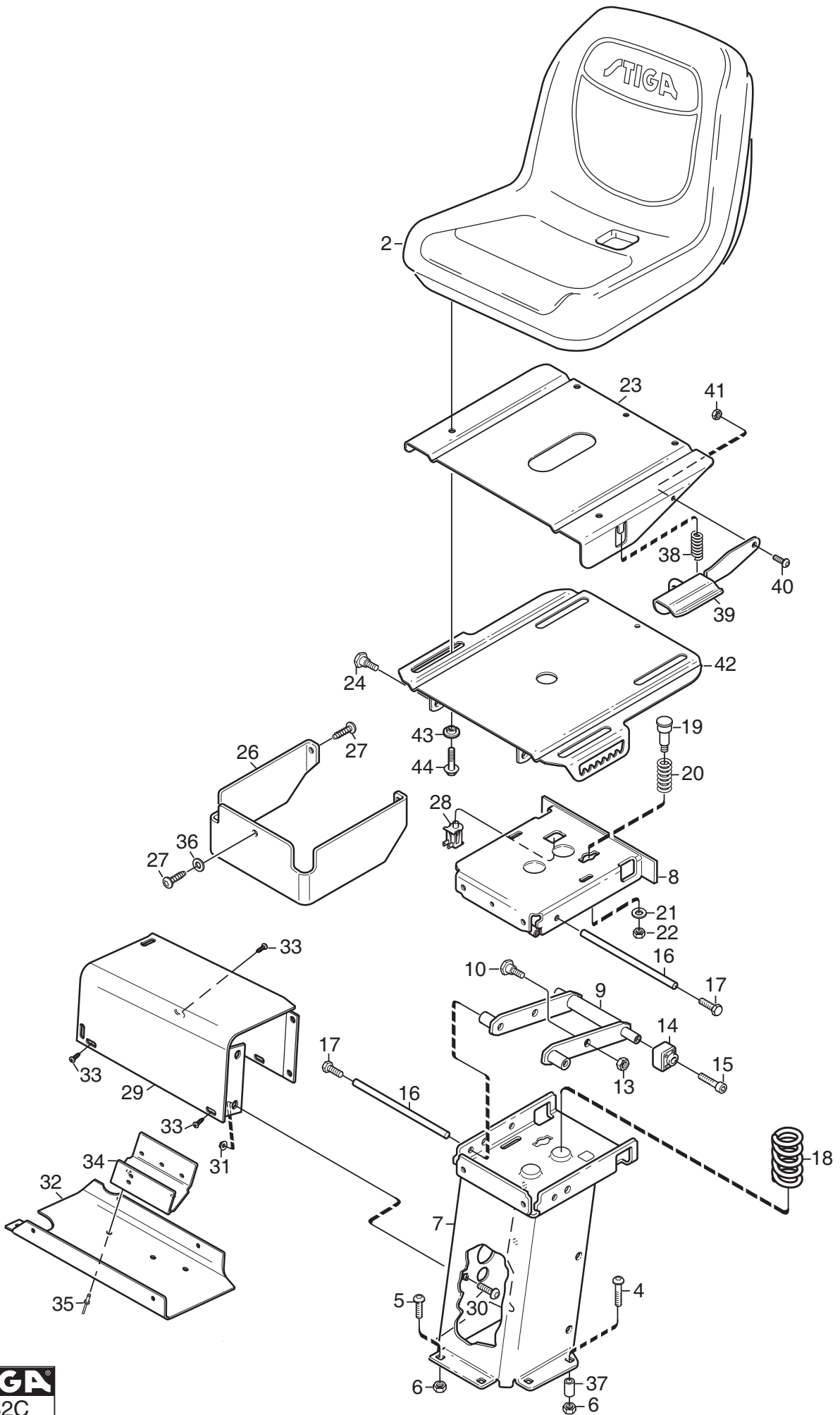
40



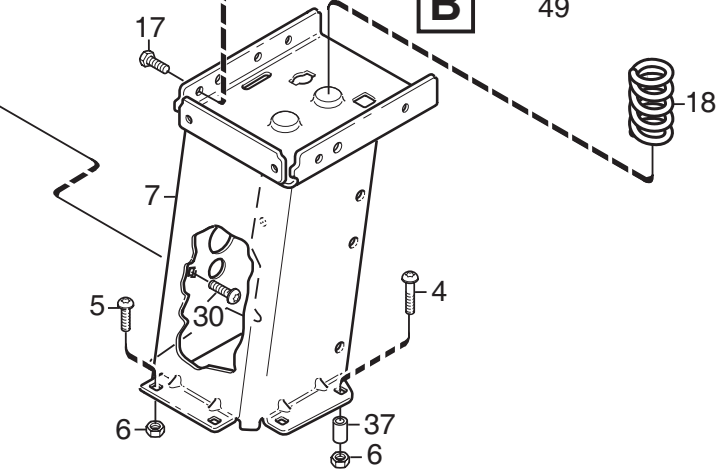
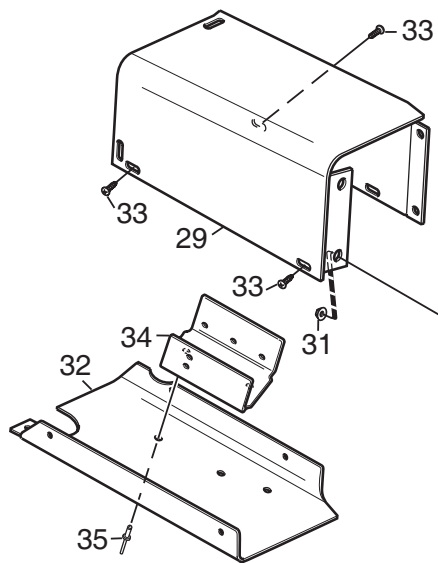
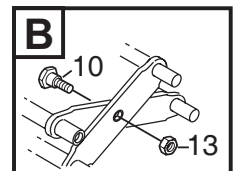
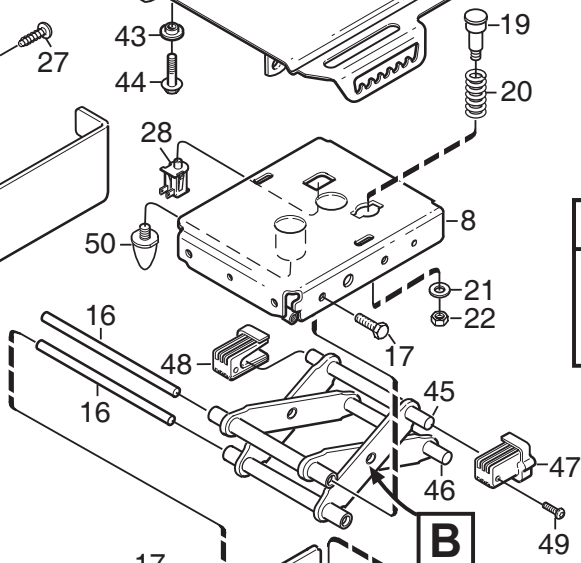
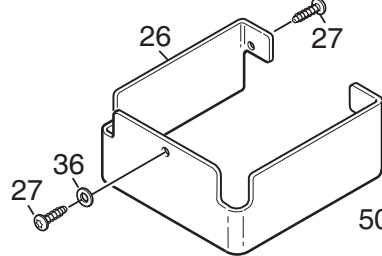
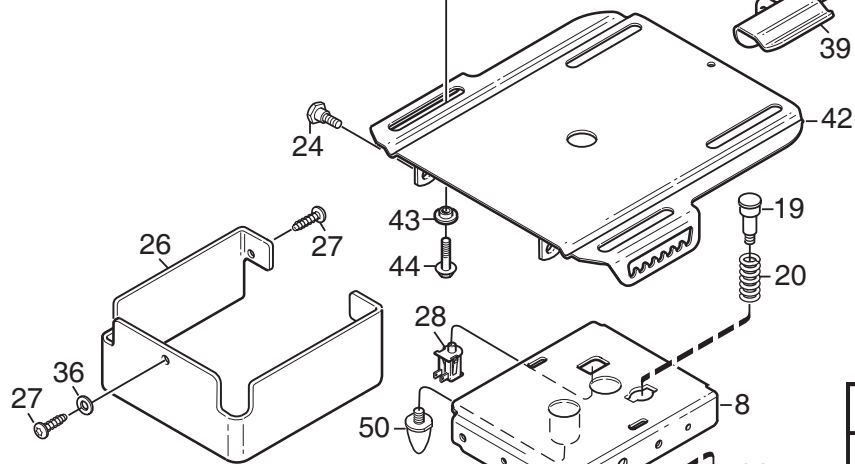
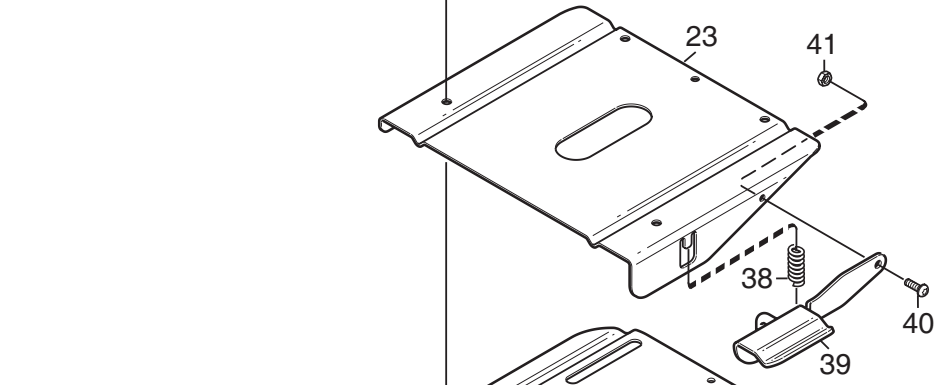
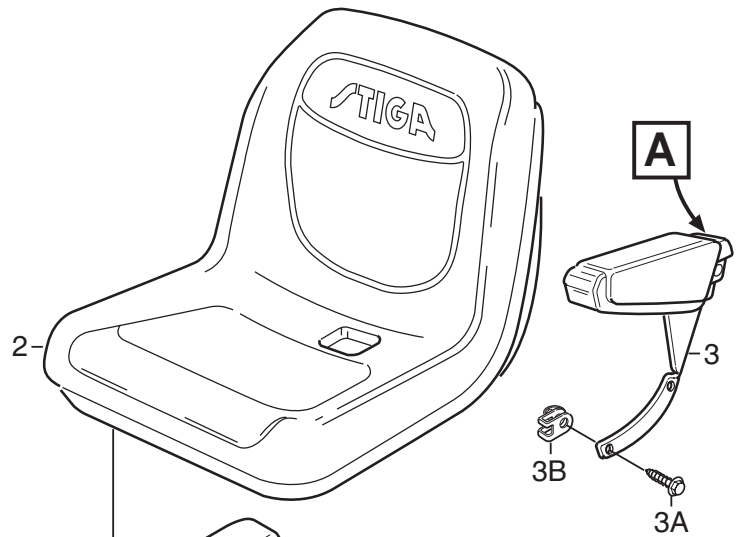
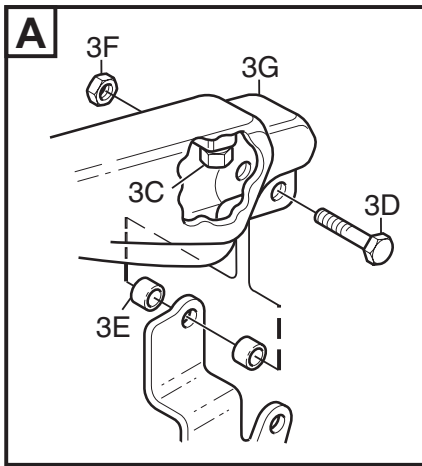
40A



Utgåva Issue 2010-11		Bildnr Picture No 2210B		PARK PRO 4WD SVAN- PRO 20- PRO 23 HYDRAULLYFT		PARK PRO 4WD SVAN- PRO 20- PRO 23 HYDRAULIC LIFT		Sida Page 148	
Pos. Fig.	Antal/Quantity				Art nr Part No	Benämning	Description	Sats Kit	Anmärkning Notes
	6272	6273	6274						
X	1	1			1134-4117-01	Fäste	Bracket		
X	2	2			1134-2684-01	Lager	Bearing		
	3	1			1137-0039-01	Lyftarm	Lift lever		
	4	1			1137-0071-01	Hydraulcylinder	Hydraulic cylinder		
	5	1			1134-4815-01	Cylinderfäste	Cylinder bracket		
	7	2			9893-0616-16	Skruv	Screw		
	8	1			1134-4816-01	Sprint	Pin		
	9	1			9598-0002-02	Låsnål	Pin lock		
	10	1			1134-4817-01	Kolvstångssprint	Pin		
	11	1			9599-0054-02	Saxpinne	Cotter pin		
	17	1			1134-4824-01	Adapter	Adapter		1/4" x 1/8"
	18	1			1134-4948-01	Tredobricka	Seal washer		1/4"
	19	2			1134-6299-01	Hydraulslang	Hydraulic tube		
	20	2			1134-4826-01	Banjoskruv	Banjo bolt		1/8"
	21	4			1134-4947-01	Kopparbricka	Copper washer		
	25	1			1134-4824-01	Adapter	Adapter		1/4" x 1/8"
	26	1			1134-4948-01	Tredobricka	Seal washer		1/4"
	29	1			1134-4282-01	Hydraulnippel	Hydraulic nipple		9/16" x 9/16"
	29A	1			9404-0028-01	• O-ring	• O-ring		
	30	4			9579-0003-00	Buntband	Cable holder		
	37	1			1134-6345-01	Spak	Lever		
	38	1			1134-2551-01	Reglageknopp	Knob		
	39	1			9739-0831-22	Mutter	Nut		
	40	1			1134-7743-01	Handspaksventil	Hand operated valve		
X	40A	1			1139-2100-01	• Fäste för spak	• Lever bracket		
	41	2			1134-6364-01	Distans	Spacer		
	42	2			9997-0645-12	Skruv	Screw		
	43	2			9739-0631-22	Mutter	Nut		
	44	1			1134-6328-01	Frontfäste	Panel bracket-front		
	45	1			1134-6296-01	Hydraulslang	Hydraulic tube		
	46	2			1134-6323-01	Banjobult	Banjo bolt		
	47	4			1134-4948-02	Tredobricka	Tredo washer		
	50	1			1137-0018-01	Hydraulslang	Hydraulic tube		

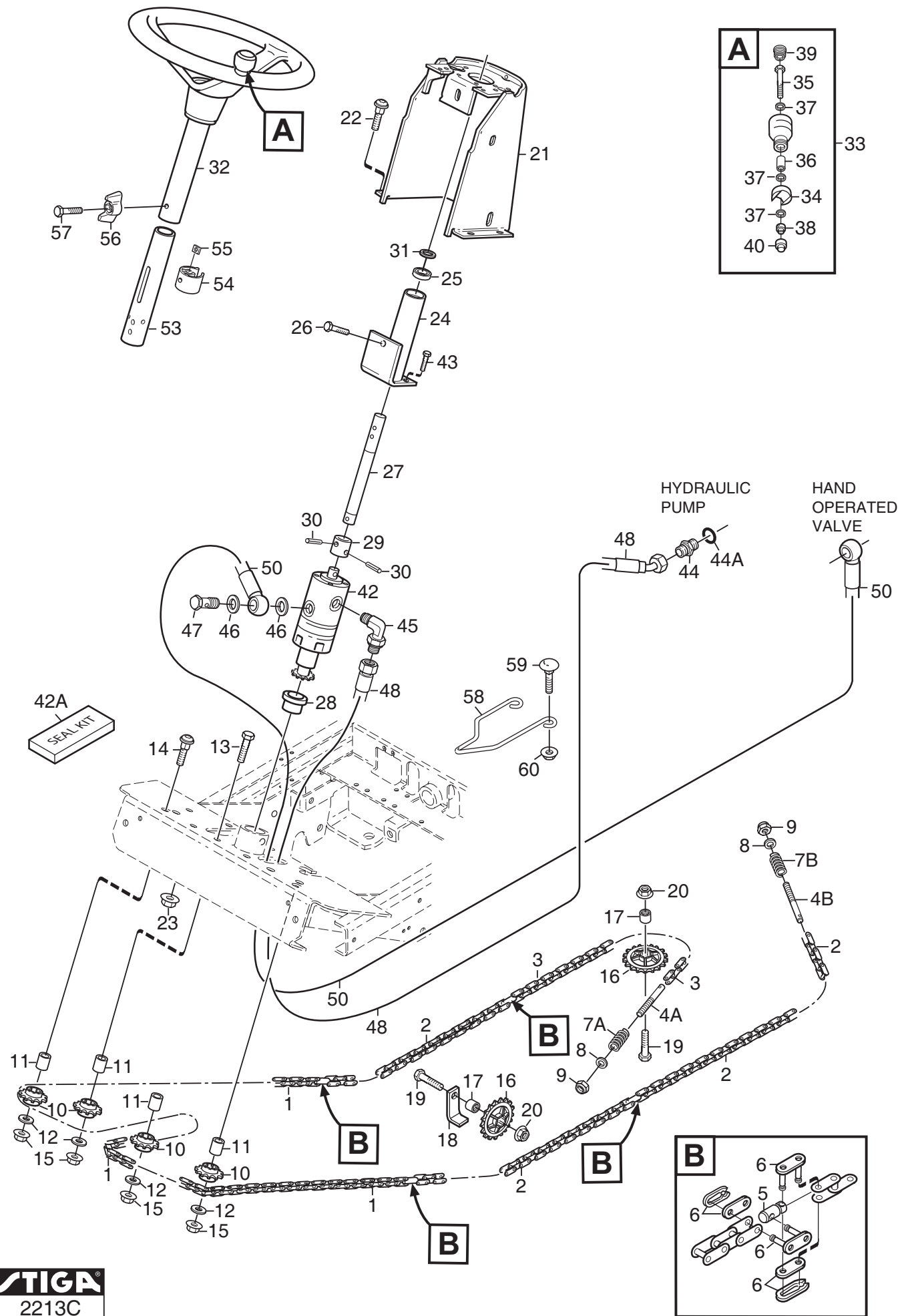


Utgåva Issue 2010-11		Bildnr Picture No 2032C		PARK PRO 4WD PRO SILVER SITS		PARK PRO 4WD PRO SILVER SEAT		Sida Page 150	
Pos. Fig.	Antal/Quantity				Art nr Part No	Benämning	Description	Sats Kit	Anmärkning Notes
	6275								
2	1				1134-7830-01	Sits	Seat.....		
4	2				9897-0880-12	Skruv	Screw		L = 80 mm
5	4				9897-0820-16	Skruv	Screw		L = 20 mm
6	6				9747-0831-02	Mutter.....	Lock nut.....		
7	1				1134-5695-02	Sitskonsol.....	Seat bracket		
8	1				1134-6080-01	Platta- övre	Plate- upper.....		
9	2				1134-6076-01	Länkarm	Pivot link		
10	2				1134-0240-00	Ansatssskruv	Shoulder screw		
13	2				9747-0831-02	Mutter.....	Lock nut.....		
14	4				1134-4084-01	Glidsko	Slide block		
15	4				9939-0816-16	Skruv	Screw		
16	2				1134-4082-03	Axel	Shaft		
17	4				9959-0820-16	Skruv	Screw		
18	2				1134-4160-01	Fjäder.....	Seat spring.....		
19	1				1134-4153-01	Tryckpinne.....	Push pin.....		
20	1				1134-4159-01	Fjäder.....	Spring		
21	1				9699-0056-02	Planbricka.....	Flat washer.....		
22	1				9747-0831-02	Mutter.....	Lock nut.....		
23	1				1134-6090-01	Glidplatta	Slide plate		
24	2				1134-0240-00	Ansatssskruv	Shoulder screw		
26	1				1134-6121-01	Svep	Cover		
27	3				9852-8013-16	Skruv	Screw		
28	1				1134-3156-01	Brytare (svart)	Switch (black)		
29	1				1134-3990-01	Armsvep	Attachment- side panel.....		
30	2				9897-0820-16	Skruv	Screw		
31	2				9739-0831-22	Mutter.....	Nut		
32	1				1134-4130-01	Lock- undre	Cover- lower		
33	4				9840-8013-16	Skruv	Screw		
34	1				1134-4135-01	Relähållare.....	Relay holder		
35	2				9632-0522-00	Popnit.....	Pop rivet		
36	1				9699-0087-02	Planbricka.....	Flat washer.....		
37	2				1134-1565-08	Distans	Spacer.....		
38	1				1134-3262-01	Tryckfjäder.....	Compression spring.....		
39	1				1134-6073-01	Handtag	Handle.....		
40	1				9893-0616-16	Skruv	Screw		
41	1				9747-0631-02	Låsmutter	Lock nut.....		
42	1				1134-6071-01	Glidplatta- undre	Slide plate- lower.....		
43	4				1134-6078-01	Ansatsbricka.....	Flange washer		
44	4				9959-0820-16	Skruv	Screw		

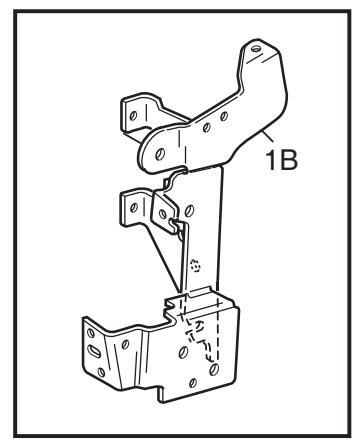
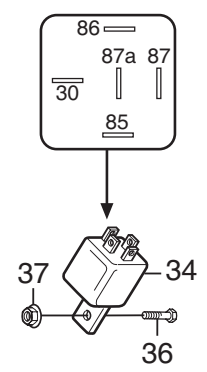
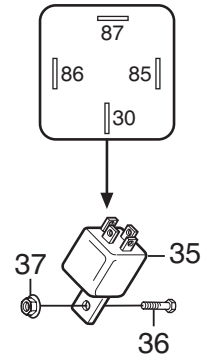
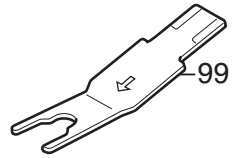
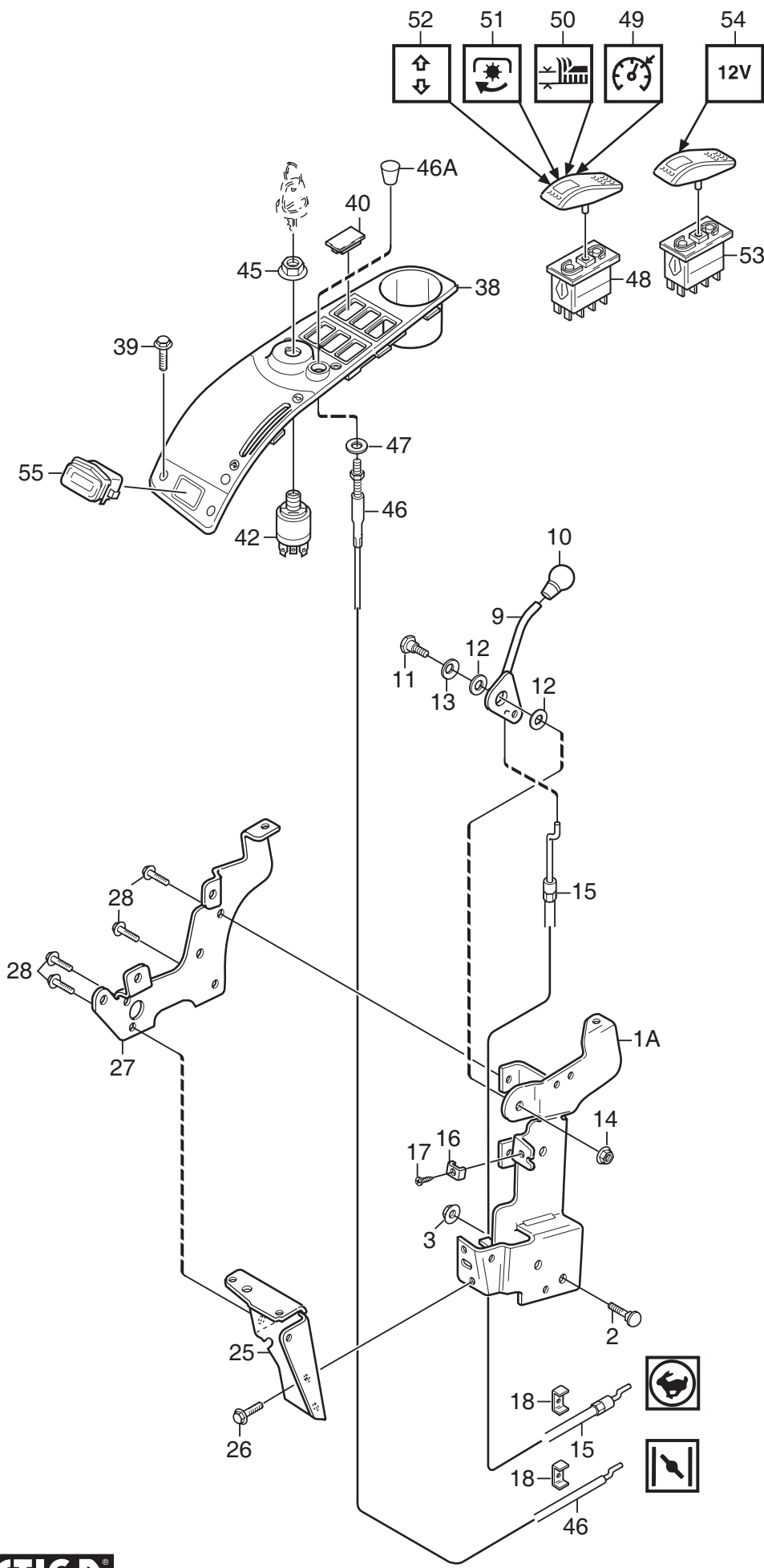


Utgåva Issue 2010- 11		Bildnr Picture No 2750		PARK PRO 4WD PRO SVAN- PRO 16- 20- 23 SITS		PARK PRO 4WD PRO SVAN- PRO 16- 20- 23 SEAT		Sida Page 152	
Pos. Fig.	Antal/Quantity			Art nr Part No	Benämning	Description	Sats Kit	Anmärkning Notes	
	6271	6272 6273 6274							
	2	1	1	1134- 7830- 01	Sits	Seat.....			
	3		1	1134- 7831- 01	Armstöd kpl	Arm rests assy			
	3A		6	1139- 0010- 01	• Skruv	• Tap screw			
	3B		6	1139- 0011- 01	• Mutter	• Speed nut			
	3C		2	9988- 3713- 16	• Skruv	• Screw			
	3D		2	9997- 1045- 12	• Skruv	• Screw			
	3E		4	1134- 5094- 01	• Distans	• Spacer			
	3F		2	9747- 1031- 02	• Låsmutter	• Lock nut			
	3G		2	1134- 5879- 01	• Armstödsdyna	• Arm rest pad			
	4	2	2	9897- 0880- 12	Skruv	Screw		L = 80 mm	
	5	4	4	9897- 0820- 16	Skruv	Screw		L = 20 mm	
	6	6	6	9747- 0831- 02	Mutter	Lock nut			
X	7	1	1	1137- 0057- 01	Sitskonsol	Seat bracket			
X	8	1	1	1137- 0058- 01	Platta- övre	Plate- upper			
	10	2	2	1134- 0240- 00	Ansatssskruv	Shoulder screw			
	13	2	2	9747- 0831- 02	Mutter	Lock nut			
X	16	2	2	1137- 0060- 01	Axel	Shaft			
	17	4	4	9958- 0820- 16	Skruv	Screw			
	18	2	2	1134- 4160- 01	Fjäder	Seat spring			
	19	1	1	1134- 4153- 01	Tryckpinne	Push pin			
	20	1	1	1134- 4159- 01	Fjäder	Spring			
	21	1	1	9699- 0056- 02	Planbricka	Flat washer			
	22	1	1	9747- 0831- 02	Mutter	Lock nut			
	23	1	1	1134- 6090- 01	Glidplatta	Slide plate			
X	24	2	2	1134- 0240- 00	Ansatssskruv	Shoulder screw			
	26	1	1	1137- 0038- 01	Svep	Cover			
	27	3	3	9838- 9516- 12	Skruv	Screw			
	28	1	1	1134- 3156- 01	Brytare (svart)	Switch (black)			
	29	1	1	1134- 3990- 01	Armsvep	Attachment- side panel			
	30	2	2	9897- 0820- 16	Skruv	Screw			
	31	2	2	9739- 0831- 22	Mutter	Nut			
	32	1	1	1134- 4130- 01	Lock- undre	Cover- lower			
	33	4	4	9840- 8013- 16	Skruv	Screw			
	34	1	1	1134- 4135- 01	Relåhållare	Relay holder			
	35	2	2	9632- 0522- 00	Popnit	Pop rivet			
	36	1	1	9699- 0087- 02	Planbricka	Flat washer			
	37	2	2	1134- 1565- 08	Distans	Spacer			
	38	1	1	1134- 3262- 01	Tryckfjäder	Compression spring			
	39	1	1	1134- 6073- 01	Handtag	Handle			
	40	1	1	9893- 0616- 16	Skruv	Screw			
	41	1	1	9747- 0631- 02	Låsmutter	Lock nut			
X	42	1	1	1137- 0055- 01	Glidplatta- undre	Slide plate- lower			
	43	4	4	1134- 6078- 01	Ansatsbricka	Flange washer			
	44	4	4	9959- 0820- 16	Skruv	Screw			
X	45	1	1	1137- 0031- 01	Länk	Link			
X	46	1	1	1137- 0032- 01	Länk	Link			
X	47	2	2	1137- 0033- 01	Kloss	Block			
X	48	2	2	1137- 0033- 02	Kloss	Block			
	49	4	4	9838- 9516- 12	Skruv	Screw			
X	50	1	1	1137- 0064- 01	Dämpare	Rubber cone			

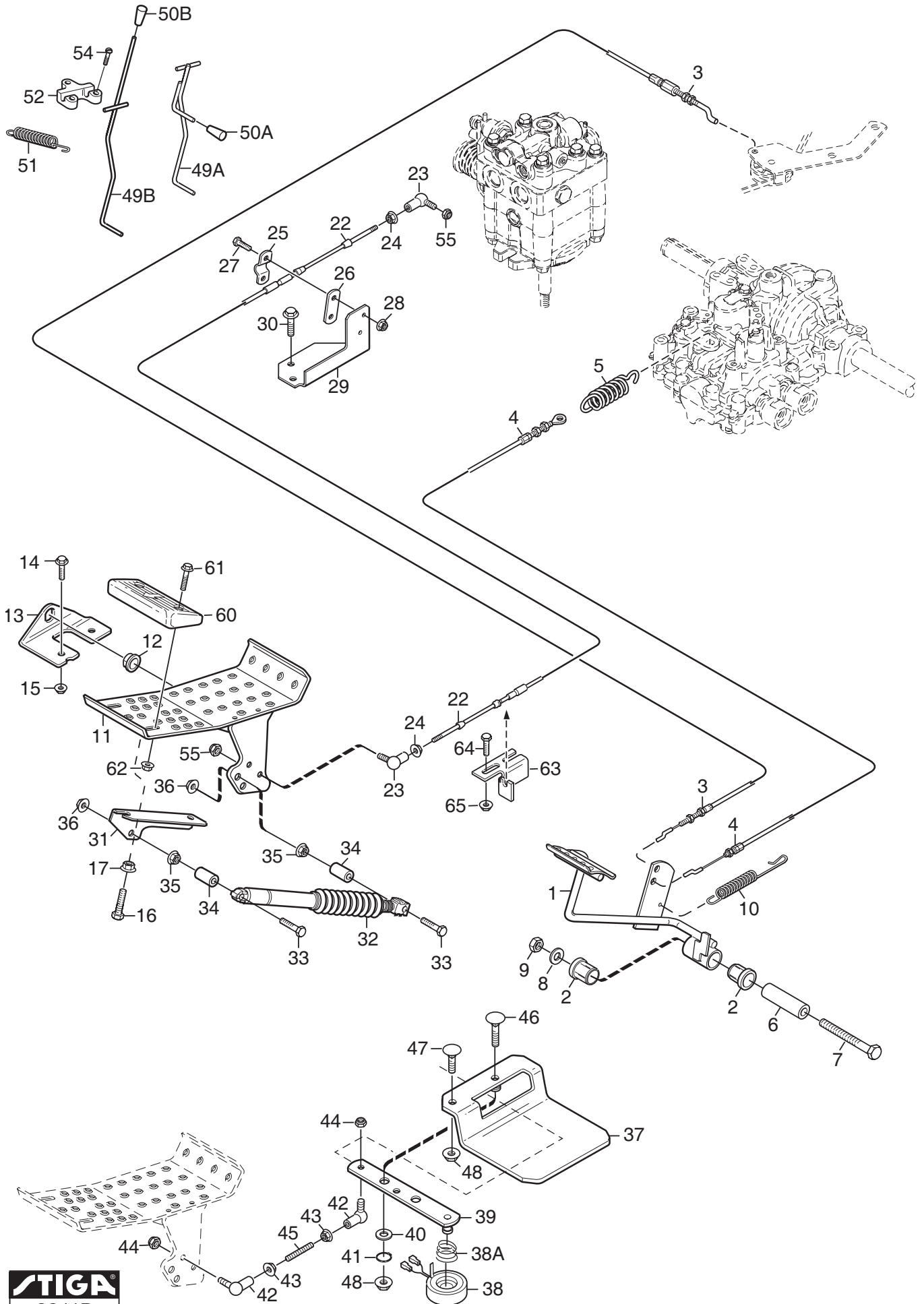
Utgåva Issue 2010-11		Bildnr Picture No 1796B		PARK PRO 4WD PRO 16- PRO SILVER STYRNING		PARK PRO 4WD PRO 16- PRO SILVER STEERING		Sida Page 154	
Pos. Fig.	Antal/Quantity				Art nr Part No	Benämning	Description	Sats Kit	Anmärkning Notes
	6271	6275							
1	1				1134-6374-10	Kedja	Chain		129 länk
2	2				1134-6374-09	Kedja	Chain		35 länk
3	1				1134-6374-02	Kedja	Chain		41 länk
4	1				1134-6374-05	Kedja	Chain		47 länk
5A	1				1134-3550-01	Ändnippel	End nipple		L = 110 mm
5B	1				1134-3550-02	Ändnippel	End nipple		L = 90 mm
6	4				1134-3565-01	Skarvnippel	Connection nipple		
7	12				1134-2824-02	Kedjelås	Chain lock		
8	2				1134-5652-01	Fäste	Attachment		
9	4				1134-5651-01	Bygel	Bracket		
10	2				1134-2816-01	Kedjehjul	Sprocket		
11	2				1134-0041-02	Linhjulshylsa	Idler wheel bush		
12	2				1134-4817-01	Kolvstångssprint	Pin		
13	2				9699-0035-02	Planbricka	Flat washer		
14	2				9599-0054-02	Saxpinne	Cotter pin		
15A	1				1134-3817-01	Tryckfjäder	Compression spring		L = 58 mm
15B	1				1134-3817-02	Tryckfjäder	Compression spring		L = 33 mm
16	2				9699-0090-02	Planbricka	Flat washer		
17	2				9747-0831-02	Mutter	Lock nut		
18	4				1134-2816-01	Kedjehjul	Sprocket		
19	4				1134-5653-01	Distans	Spacer		
20	2				9699-0035-02	Planbricka	Flat washer		
21	2				9997-1060-12	Skruv	Screw		
22	2				9739-1031-22	Mutter	Nut		
23	2				9897-1060-12	Skruv	Screw		
24	2				9731-1031-22	Mutter	Nut		
25	3				1134-3547-01	Kedjehjul	Sprocket		
26	3				1134-0041-01	Linhjulshylsa	Bushing		
27	2				1134-0046-00	Linhållare	Wire clamp		
28	3				9997-1040-16	Skruv	Screw		
29	2				9699-0035-02	Planbricka	Flat washer		
30	3				9739-1031-22	Mutter	Nut		
31	1				1134-4120-04	Styrkonsol	Steering console		
32	4				9897-0820-16	Skruv	Screw		
33	4				9739-0831-22	Mutter	Nut		
37	1				1134-3085-01	Rattrör- nedre	Steering column- lower		
38	2				9549-0017-00	Kullager	Ball bearing		
X 39	1				1137-0046-01	Rattstång	Steering rod		
40	1				9695-0011-00	Bricka	Washer		
41	2				9893-0616-16	Skruv	Screw		
42	1				1134-2837-03	Distans	Spacer		
43	2				9699-0035-02	Planbricka	Flat washer		
52	1				1134-5173-01	Ratt	Steering wheel		
X 63	1				1137-0070-01	Rattrör- inre kpl	Steering tube- inner		
64	1				1134-5177-01	• Slid	• Slide		
65	1				9710-0631-12	• Fyrkantmutter	• Square nut		
66	1				1134-4481-02	Vingmutter	Wing nut		
67	1				9997-0630-12	Skruv	Screw		



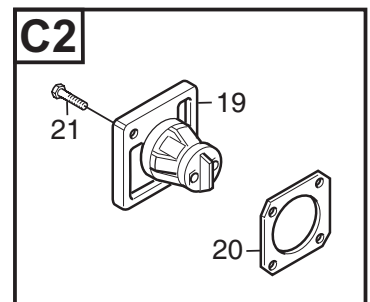
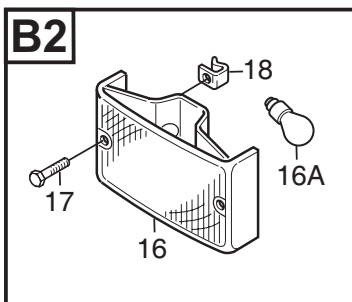
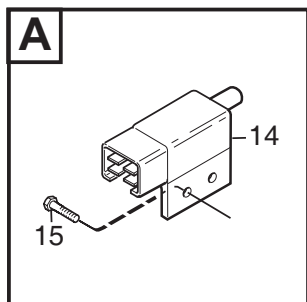
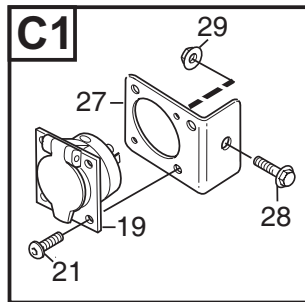
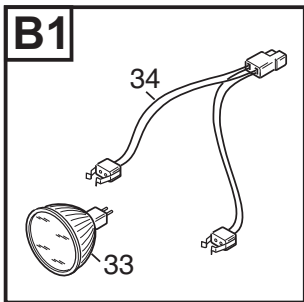
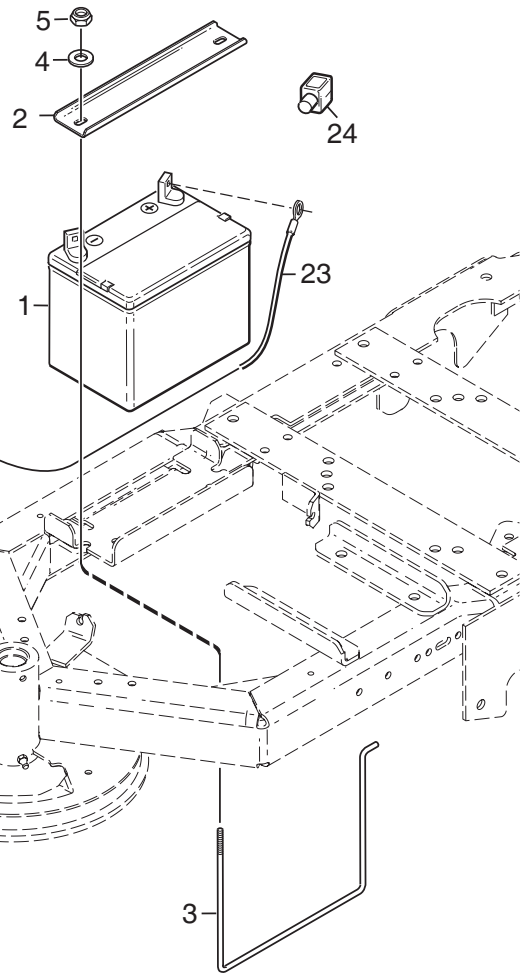
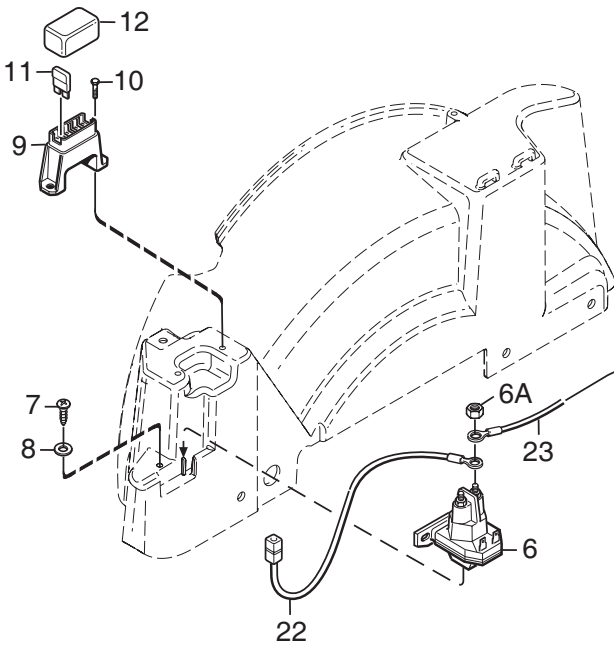
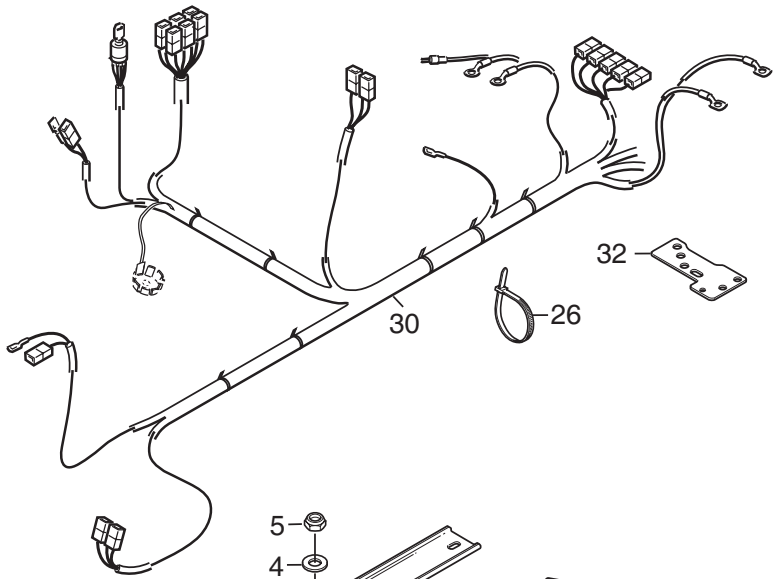
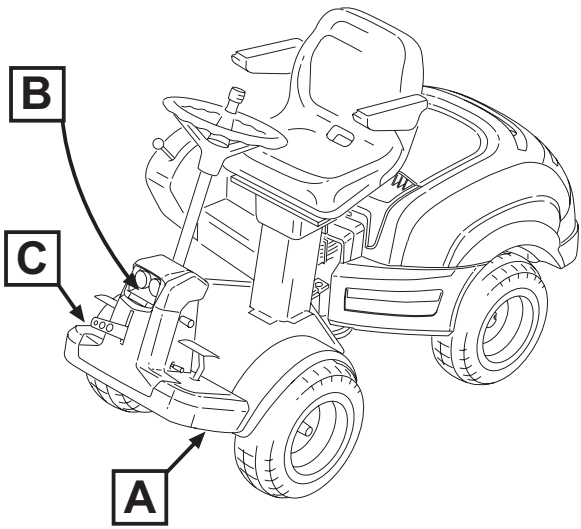
Utgåva Issue 2010-11		Bildnr Picture No 2213C		PARK PRO 4WD SVAN- PRO 20- PRO 23 STYRNING		PARK PRO 4WD SVAN- PRO 20- PRO 23 STEERING		Sida Page 156	
Pos. Fig.	Antal/Quantity				Art nr Part No	Benämning	Description	Sats Kit	Anmärkning Notes
	6272	6273	6274						
	1	1			1134-6374-06	Kedja	Chain		83 länk
	2	3			1134-6374-02	Kedja	Chain		41 länk
	3	1			1134-6374-04	Kedja	Chain		45 länk
	4A	1			1134-3550-01	Ändnippel	End nipple		L = 110 mm
	4B	1			1134-3550-02	Ändnippel	End nipple		L = 90 mm
	5	4			1134-3565-01	Skarvnippel	Connection nipple		
	6	10			1134-2824-02	Kedjelås	Chain lock		
	7A	1			1134-3817-01	Tryckfjäder	Compression spring		L = 58 mm
	7B	1			1134-3817-02	Tryckfjäder	Compression spring		L = 33 mm
	8	2			9699-0090-02	Planbricka	Flat washer		
	9	2			9747-0831-02	Mutter	Lock nut		
	10	4			1134-2816-01	Kedjehjul	Sprocket		
	11	4			1134-0041-02	Linhjulshylsa	Idler wheel bush		
	12	4			9699-0035-02	Planbricka	Flat washer		
	13	2			9997-1050-16	Skruv	Screw		
	14	2			9897-1040-12	Skruv	Screw		
	15	4			9739-1031-22	Mutter	Nut		
	16	3			1134-3547-01	Kedjehjul	Sprocket		
	17	3			1134-0041-01	Linhjulshylsa	Bushing		
	18	2			1134-0046-00	Linhållare	Wire clamp		
	19	3			9997-1030-16	Skruv	Screw		
	20	3			9739-1031-22	Mutter	Nut		
X	21	1			1137-0066-01	Styrkonsol	Steering bracket		
	22	4			9897-0820-16	Skruv	Screw		
X	23	4			9739-0831-22	Mutter	Nut		
	24	1			1137-0044-01	Ratt rör- nedre	Steering tube- lower		
	25	1			9549-0017-00	Kullager	Ball bearing		
X	26	1			9945-0816-16	Skruv	Screw		
	27	1			1137-0045-01	Rattstång	Steering rod		
	28	1			1134-4114-01	Bussning	Bushing		
	29	1			1134-4118-01	Koppling	Coupling		
	30	2			9595-0256-01	Spännstift	Pin		
	31	1			9695-0011-00	Bricka	Washer		
	32	1			1134-5173-02	Ratt kpl	Steering wheel assy		
	33	1			1134-3769-01	• Styrknopp kpl	• Steering wheel button		
	34	1			1134-3752-01	•• Knoppfäste	•• Knob holder		
	35	1			9997-0870-16	•• Skruv	•• Screw		
	36	1			1134-1565-06	•• Distans	•• Spacer		
	37	3			9699-0090-02	•• Planbricka	•• Flat washer		
	38	1			9747-0831-02	•• Mutter	•• Lock nut		
	39	1			9403-0043-70	•• Plugg	•• Plug		
	40	1			9403-0113-00	•• Mutterhatt	•• Nut cap		
	42	1			1134-6420-01	Momentförstärkare	Steering booster		
	42A	1			1139-2074-01	Reparationssats	Seal kit		
	43	3			9939-0612-16	Skruv	Screw		
	44	1			1134-4282-01	Hydraulnippel	Hydraulic nipple		9/16" x 9/16"
	44A	1			9404-0028-01	• O-ring	• O-ring		
	45	1			1134-7073-01	Vinkeladapter	Hydraulic coupling		
	46	2			1134-4948-02	Tredobricka	Tredo washer		
	47	1			1134-6323-01	Banjobult	Banjo bolt		
	48	1			1137-0019-01	Hydraulslang	Hydraulic tube		
	50	1			1137-0018-01	Hydraulslang	Hydraulic tube		
X	53	1			1137-0070-01	Ratt rör- inre kpl	Steering tube- inner		
	54	1			1134-5177-01	• Slid	• Slide		
	55	1			9710-0631-12	• Fyrkantmutter	• Square nut		
	56	1			1134-4481-02	Vingmutter	Wing nut		
	57	1			9997-0630-12	Skruv	Screw		
X	58	1			1137-0112-01	Bygel	Guide		
	59	2			9897-0616-16	Vagnsbult	Carriage bolt		
	60	2			9739-0631-22	Mutter	Nut		



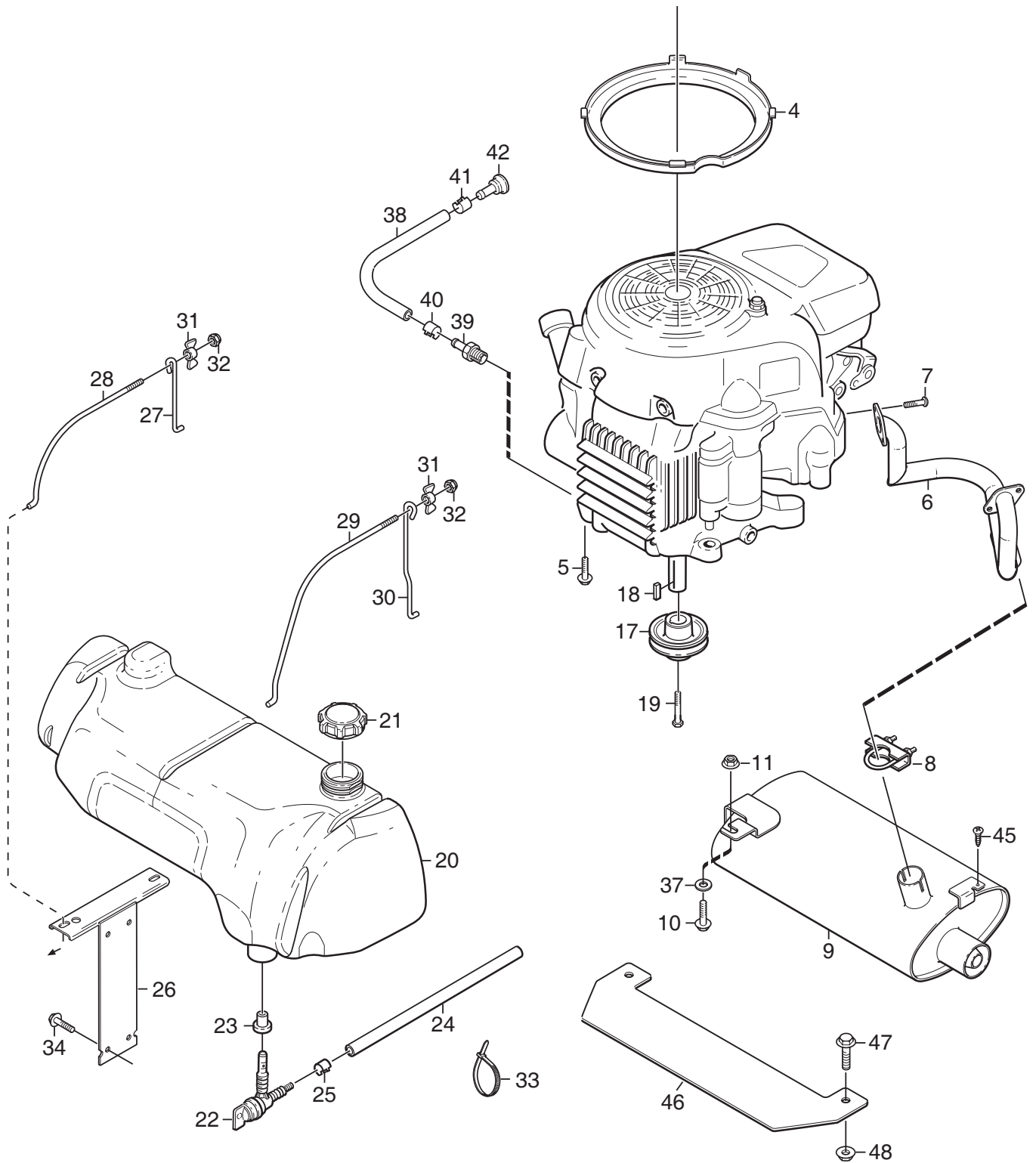
Utgåva Issue		Bildnr Picture No		PARK PRO 4WD HANDREGLAGE		PARK PRO 4WD HAND CONTROLS		Sida Page	
2010- 11		1798C						158	
Pos. Fig.	Antal/Quantity				Art nr Part No	Benämning	Description	Sats Kit	Anmärkning Notes
	6271	6272 6273 6274	6275						
1A	1		1		1134-4156-01	Vinkelhållare	Panel bracket- inner		
1B		1			1134-6324-01	Vinkelhållare	Panel bracket		
2	2	2	2		9897-0820-16	Skruv	Screw		
3	2	2	2		9739-0831-22	Mutter	Nut		
9	1	1	1		1134-4077-01	Gasreglage.....	Throttle control		
10	1	1	1		1134-4078-01	Knopp.....	Knob		
11	1	1	1		1134-0240-00	Ansattsskruv.....	Shoulder screw		
12	2	2	2		1134-4242-01	Distansbricka.....	Spacer washer		
13	1	1	1		9694-0001-00	Fjäderbricka	Washer		
14	1	1	1		9747-0831-02	Mutter.....	Lock nut		
15			1		1134-4195-03	Gaswire	Throttle cable		
X	15	1	1		1137-0063-01	Gaswire	Throttle cable		
X	16	1	1		1137-0115-01	Överfall.....	Cable clamp		
	16		1		9500-9991-00	Wireklämma	Cable clamp		
	17	1	1	1	9943-0516-16	Skruv.....	Screw		
X	18	2	2		1137-0115-01	Överfall.....	Cable clamp		
	25	1	1	1	1134-6328-01	Frontfäste	Panel bracket- front.....		
	26	2	2	2	9893-0616-16	Skruv.....	Screw		
	27	1	1	1	1134-6327-01	Frontplåt	Front plate.....		
	28	4	4	4	9893-0616-16	Skruv.....	Screw		
	34	1	1	1	1134-2871-03	Relä	Relay		
	35	2	2	2	1134-2871-01	Relä	Relay		
	36	3	3	3	9997-0512-16	Skruv.....	Screw		
	37	3	3	3	9739-0531-22	Mutter.....	Nut		
	38	1		1	1134-6096-07	Kassett.....	Control panel.....		
	38		1		1134-6096-08	Kassett.....	Dashboard		
	39	4	4	4	9946-0525-16	Skruv.....	Screw		
	40	2	2	1	1134-4129-01	Täckbricka	Cover		
	42	1	1	1	1134-4093-01	Tändningslås	Ignition switch		
	45	1	1	1	1134-4749-01	Mutter.....	Nut		
	46			1	1134-2872-01	Chokereglage.....	Choke control.....		
X	46	1	1		1137-0062-01	Chokereglage.....	Choke control.....		
	46A	1	1	1	1134-4338-01	- Reglageknopp.....	- Control knob		
	47	2	2		9699-0090-02	Planbricka.....	Flat washer.....		
	48	3	3	4	9400-0282-01	Brytare m.diod.....	Switch w.diode.....		
	49			1	9400-0280-02	Vippa- farthållare	Cover- cruise control.....		
	50	1	1	1	9400-0280-03	Vippa- höjdställning	Cover- height adjust		
	51	1	1	1	9400-0280-01	Vippa- kraftuttag	Cover- PTO.....		
	52	1	1	1	9400-0280-04	Vippa- redskap bak	Cover- rear tools		
	53	1	1	1	9400-0283-01	Brytare.....	Switch		
	54	1	1	1	9400-0280-05	Vippa- 12V.....	Cover- 12V		
	55	1	1	1	1134-6097-01	Timräknare	Hour meter.....		
	99	1	1	1	9400-0290-01	Verktyg f.vippa.....	Tool for cover.....		Tillbehör/Accessory



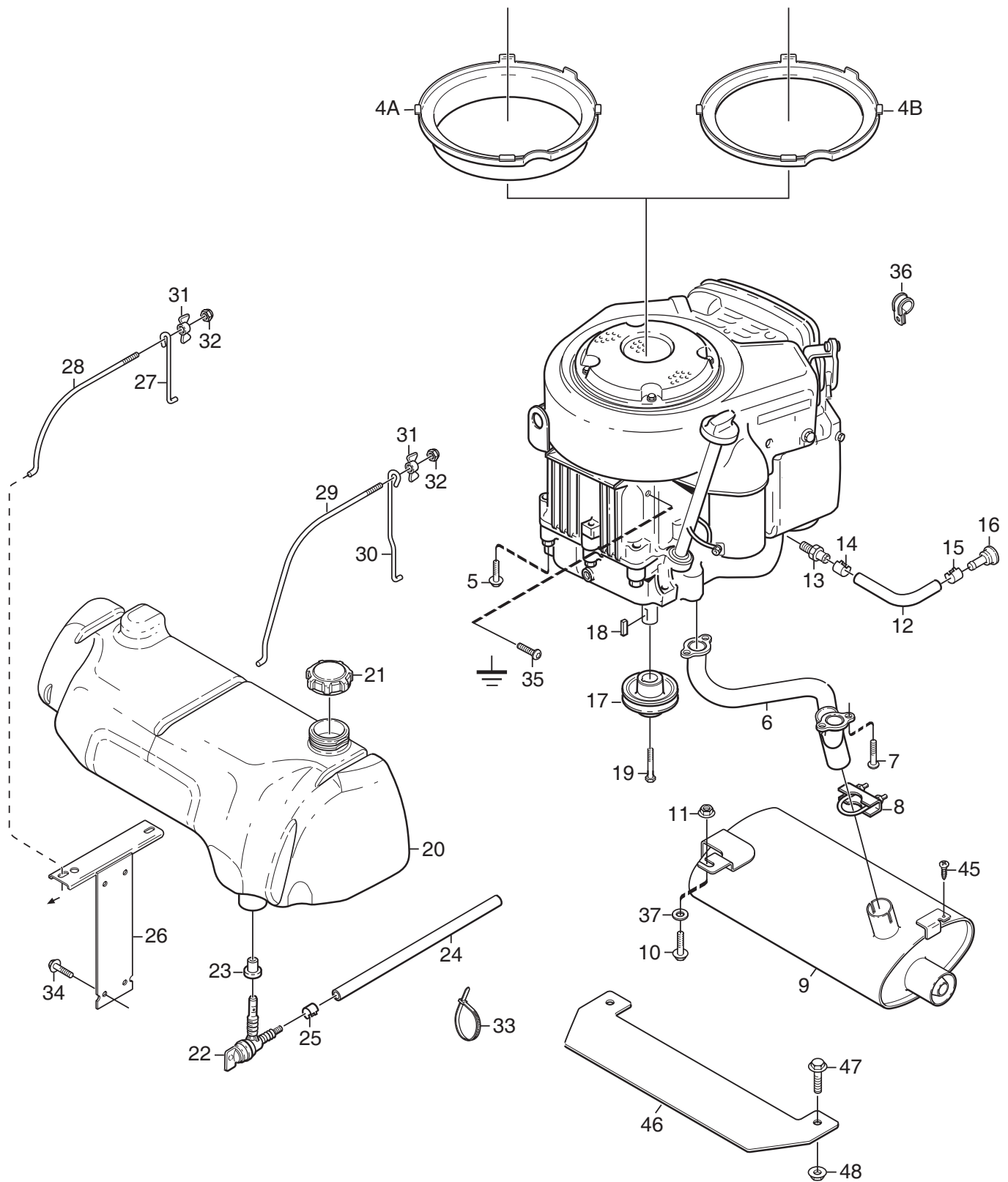
Utgåva Issue		Bildnr Picture No		PARK PRO 4WD FOTREGLAGE		PARK PRO 4WD FOOT CONTROLS		Sida Page	
2010- 11		2211B						160	
Pos. Fig.	Antal/Quantity				Art nr Part No	Benämning	Description	Sats Kit	Anmärkning Notes
	6271 6272 6273 6274	6275							
1	1	1			1134-5655-01	Broms/kopplingspedal.....	Brake/clutch pedal.....		Sats 4 st/kit of 4
2	1	1			1134-9024-01	Lager.....	Bearing.....		
3	1	1			1134-5815-01	Kopplingswire.....	Clutch cable.....		
4	1	1			1134-6020-01	Bromswire.....	Brake cable.....		
5	1	1			1134-5989-01	Fjäder.....	Spring.....		
6	1	1			1134-5677-02	Distans.....	Spacer.....		
7	1	1			9997-1070-12	Skruv.....	Screw.....		
8	1	1			9699-0030-02	Planbricka.....	Flat washer.....		
9	1	1			9739-1031-22	Mutter.....	Nut.....		
10	1	1			4231-0013-00	Fjäder.....	Spring.....		
11	1	1			1134-6353-01	Drivpedal.....	Drive pedal.....		
12	2	2			1134-6313-01	Lager.....	Bearing.....		
13	2	2			1134-2700-01	Fäste.....	Bracket.....		
14	2	2			9959-0820-16	Skruv.....	Screw.....		
15	2	2			9739-0831-22	Mutter.....	Nut.....		
16	1	1			9997-0835-16	Skruv.....	Screw.....		
17	1	1			9739-0831-22	Mutter.....	Nut.....		
22	1	1			1134-2766-08	Reglagewire.....	Control cable.....		
23	2	2			9570-0001-00	Vinkellänk.....	Elbow link.....		
24	2	2			9739-0531-22	Mutter.....	Nut.....		
25	1	1			1134-0266-00	Fästbygel.....	Attaching clamp.....		
26	1	1			1134-0267-00	Underläggsbleck.....	Clamp plate.....		
27	2	2			9997-0520-16	Skruv.....	Screw.....		
28	2	2			9739-0531-22	Mutter.....	Nut.....		
29	1	1			1134-5689-01	Wirekonsol.....	Cable bracket.....		
30	2	2			9945-0816-16	Skruv.....	Screw.....		
31	1	1			1134-3996-01	Fäste.....	Bracket.....		
32	1	1			1134-4187-01	Dämpare.....	Damper.....		
33	2	2			9997-0840-16	Skruv.....	Screw.....		
34	2	2			1134-1565-09	Distans.....	Spacer.....		
35	2	2			9739-0831-22	Mutter.....	Nut.....		
36	2	2			9747-0831-02	Mutter.....	Lock nut.....		
37		1			1134-6356-01	Farthållarplåt.....	Speed control plate.....		
38		1			1134-2859-02	Magnet kpl.....	Magneto assy.....		
38A		1			1134-2858-01	Fjäder.....	Spring.....		
39		1			1134-6358-01	Arm.....	Lever.....		
40		1			9699-0036-02	Planbricka.....	Flat washer.....		
41		1			9650-0012-04	Seegersäkkring.....	Circlip.....		
42		2			9570-0001-00	Vinkellänk.....	Elbow link.....		
43		2			9739-0531-22	Mutter.....	Nut.....		
44		2			9747-0531-02	Mutter.....	Nut.....		
45		1			1134-6361-02	Skruvstång.....	Screw rod.....		
46		1			9897-0640-12	Skruv.....	Screw.....		
47		1			9897-0616-16	Vagnsbult.....	Carriage bolt.....		
48		2			9739-0631-22	Mutter.....	Nut.....		
49A	1				1134-5353-01	Bromsstång.....	Brake rod.....		
49B		1			1134-5101-01	Bromsstång.....	Brake rod.....		
50A	1				1134-2786-01	Plastknopp.....	Plastic knob.....		
50B		1			1134-3808-01	Knopp.....	Knob.....		
51	1	1			1131-1497-01	Fjäder.....	Spring.....		
52	1	1			1134-4002-01	Fäste.....	Brake rod attachment.....		
54	3	3			9838-9516-12	Skruv.....	Screw.....		
55	2	2			9747-0531-02	Mutter.....	Nut.....		
60	2	2			1134-6340-02	Fotstöd.....	Foot rest.....		
61	4	4			9959-0620-16	Skruv.....	Screw.....		
62	4	4			9739-0631-22	Mutter.....	Nut.....		
63	1	1			1134-6317-01	Wirefäste.....	Cable holder.....		
64	2	2			9959-0620-16	Skruv.....	Screw.....		
65	2	2			9739-0631-22	Mutter.....	Nut.....		



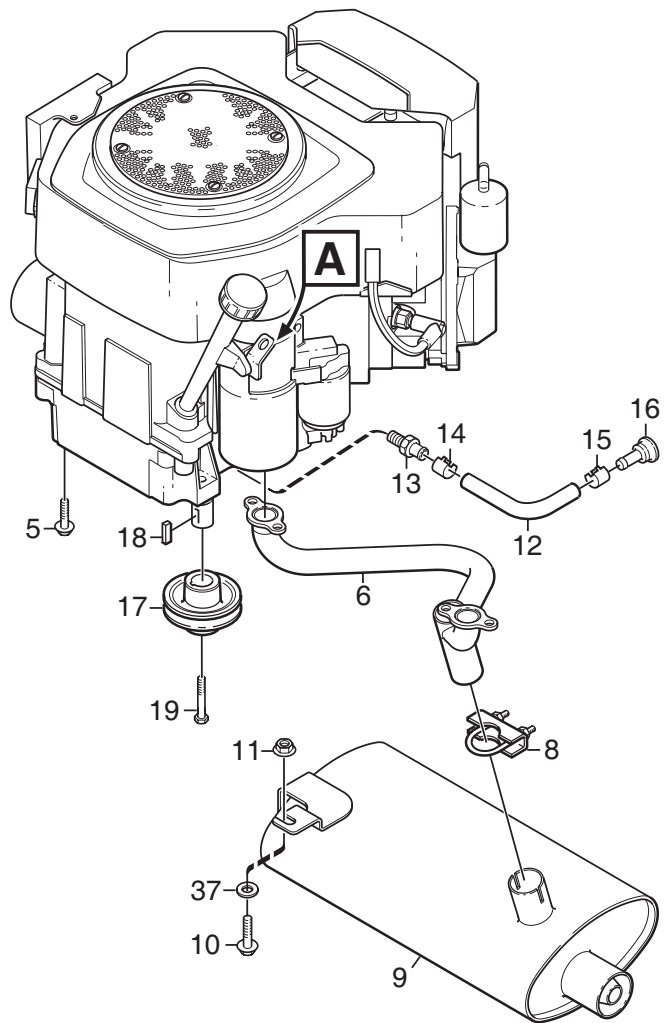
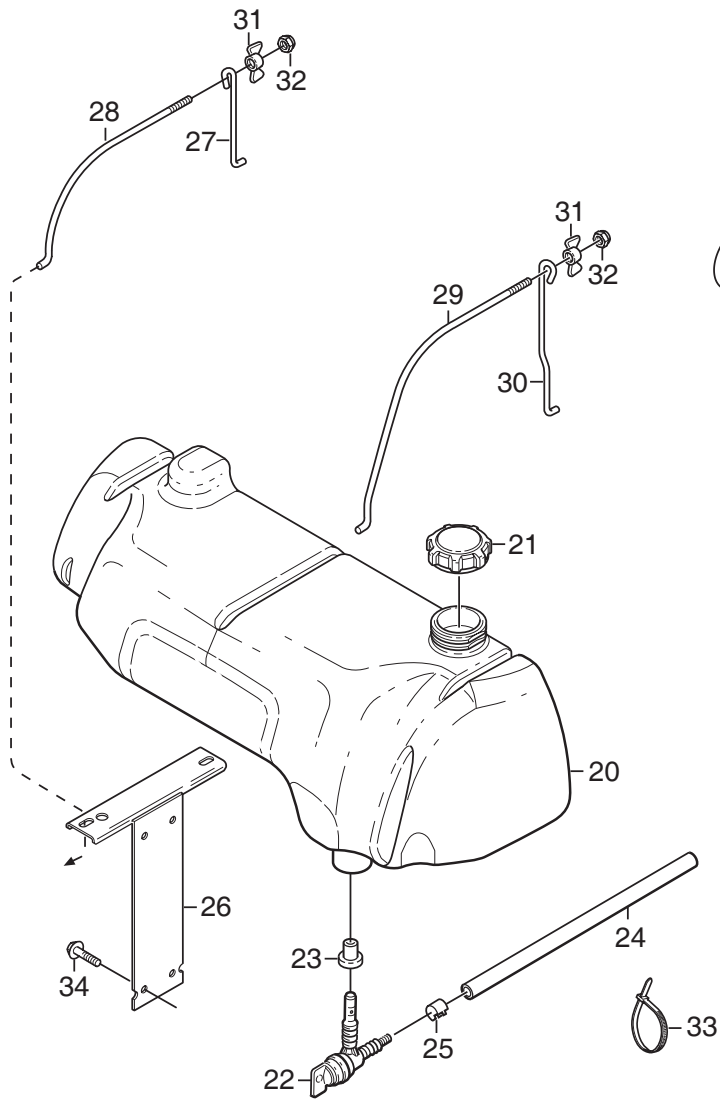
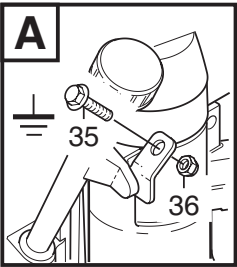
Utgåva Issue		Bildnr Picture No		PARK PRO 4WD ELUTRUSTNING		PARK PRO 4WD EL. EQUIPMENT		Sida Page	
2010- 11		1800D						162	
Pos. Fig.	Antal/Quantity				Art nr Part No	Benämning	Description	Sats Kit	Anmärkning Notes
	6271 6273 6274	6272	6275						
1	1	1	1		1134-5751-01	Batteri	Battery		12V - 24Ah
2	1	1	1		1134-5643-01	Batteriplåt	Battery plate		
3	1	1	1		1134-5642-01	Batteribygel	Battery loop		
4	1	1	1		9699-0060-02	Planbricka	Flat washer		
5	1	1	1		9747-0631-02	Låsmutter	Lock nut		
6	1	1	1		1134-2962-01	Solenoid kpl	Solenoid assy		
6A	2	2	2		9794-5131-02	• Mutter	• Nut		
7	1	1	1		9838-9516-12	Skruv	Screw		
8	1	1	1		9699-0060-02	Planbricka	Flat washer		
9	1	1	1		1134-3491-01	Säkringshållare	Fuse holder		
10	2	2	2		9838-9516-12	Skruv	Screw		
11	1	1	1		1134-3496-01	Säkring	Fuse	10A 20A 30A	
11	1	1	1		1134-3496-06	Säkring	Fuse		
11	1	1	1		1134-3496-07	Säkring	Fuse		
12	1	1	1		1134-3631-01	Lock-säkringsdosa	Cover-fuse holder		
14	1	1	1		1134-3399-01	Brytare	Switch		
15	2	2	2		9943-0516-16	Skruv	Screw		
16			1		1134-4172-01	Strålkastare kpl	Headlamp assy		
16A			1		9400-0293-01	• Glödlampa	• Bulb	12V - 21W	
17			2		9849-7819-16	Skruv	Screw		
18			2		1134-4177-01	Clips	Clips		
19	1	1	1		1134-7535-01	Honkontakt	Female terminal		
20			1		1134-4052-01	Stödbricka	Support washer		
21	2	2	2		9840-7716-16	Skruv	Screw		
22	1	1	1		1134-4970-01	Kabel	Cable		
23	1	1	1		1134-0234-02	Batterikabel (+)	Battery cable (+)		
24	1	1	1		1134-2310-01	Batteriskydd	Guard cap		
26	10	10	10		9579-0003-00	Buntband	Cable holder		
X 27	1	1			1137-0075-01	Fäste	Bracket		
28	1	1			9959-0820-16	Skruv	Screw		
29	1	1			9739-0831-22	Mutter	Nut		
30	1		1		1134-6455-01	Kablage	Harness		
30		1			1134-6468-01	Kablage	Harness	Honda-engine	
32	1	1	1		1134-6454-01	Jordplåt	Ground plate		
X 33	2	2			9400-0358-01	LED- lampa	LED- lamp		
34	1	1			1134-7505-01	Kablage	Harness		



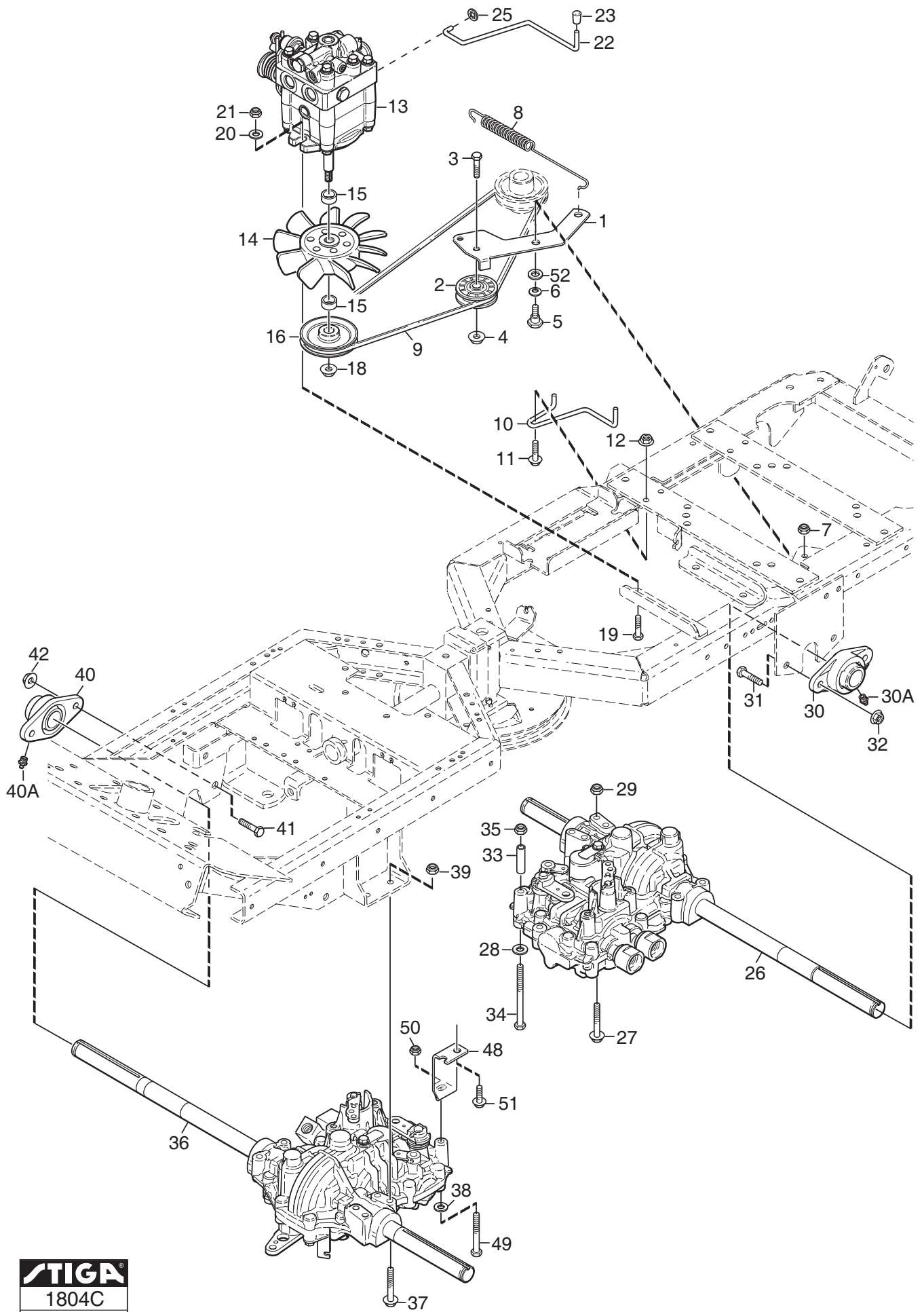
Utgåva Issue		Bildnr Picture No		PARK PRO 4WD PRO SVAN MOTOR (Honda)		PARK PRO 4WD PRO SVAN ENGINE (Honda)		Sida Page	
2010- 11		2013B						164	
Pos. Fig.	Antal/Quantity				Art nr Part No	Benämning	Description	Sats Kit	Anmärkning Notes
	6272								
X	4	1			1134-6116-02	Luffring.....	Air duct		Ø = 221, H = 15 mm
	5	4			9955-3725-16	Skruv.....	Screw.....		
	6	1			1134-5902-01	Grenrör.....	Exhaust pipe		
	7	4			9939-0820-16	Skruv.....	Screw.....		
	8	1			9578-0011-01	Klämma.....	Clamp.....		
	9	1			1137-0073-01	Ljuddämpare.....	Muffler		
	10	1			9959-0820-16	Skruv.....	Screw.....		
	11	1			9739-0831-22	Mutter.....	Nut		
	17	1			1134-5865-01	Motorremskiva.....	Engine belt pulley.....		
	18	1			9600-0251-00	Plattkil.....	Key.....		
	19	1			9987-5364-12	Skruv.....	Screw.....		
	20	1			1134-5644-01	Bensintank.....	Fuel tank	14 Liter	
	21	1			1134-5532-01	Tanklock.....	Fuel tank cap.....		
	22	1			1134-3224-01	Bensinkran.....	Fuel shut-off valve.....		
	23	1			1134-3225-01	Gummibussning.....	Grommet.....		
	24	1			1134-2975-05	Bensinslang.....	Fuel hose.....	L = 460 mm	
	25	2			9578-0023-02	Slangklämma.....	Hose clamp		
	26	1			1134-5615-01	Tankkonsol.....	Tank bracket.....		
	27	1			1134-5621-01	Tankbygel.....	Tank loop		
	28	1			1134-5622-01	Tankbygel.....	Tank loop		
	29	1			1134-5623-01	Tankbygel.....	Tank loop		
	30	1			1134-5765-01	Tankbygel.....	Tank loop		
	31	2			1134-4481-02	Vingmutter.....	Wing nut		
	32	2			9747-0631-02	Låsmutter.....	Lock nut.....		
	33	1			9579-0003-00	Buntband.....	Cable holder.....		
	34	2			9945-0816-16	Skruv.....	Screw.....		
	35	1			9939-0820-16	Skruv.....	Screw.....	Jord/ground	
	37	1			9699-0056-02	Planbricka.....	Flat washer.....		
	38	1			1134-5827-04	Oljeavtappning kpl.....	Oil drain assy	L = 290 mm	
	39	1			1134-5825-01	• Nippel.....	• Nipple.....		
	40	1			9578-0023-04	• Slangklämma.....	• Hose clamp		
	41	1			1134-3499-02	• Slangklämma.....	• Hose clamp		
	42	1			1134-5826-01	• Plugg.....	• Plug.....		
	45	1			9893-0616-16	Skruv.....	Screw.....		
	46	1			1137-0072-01	Deflektor.....	Deflector		
	47	2			9959-0820-16	Skruv.....	Screw.....		
	48	2			9739-0831-22	Mutter.....	Nut.....		



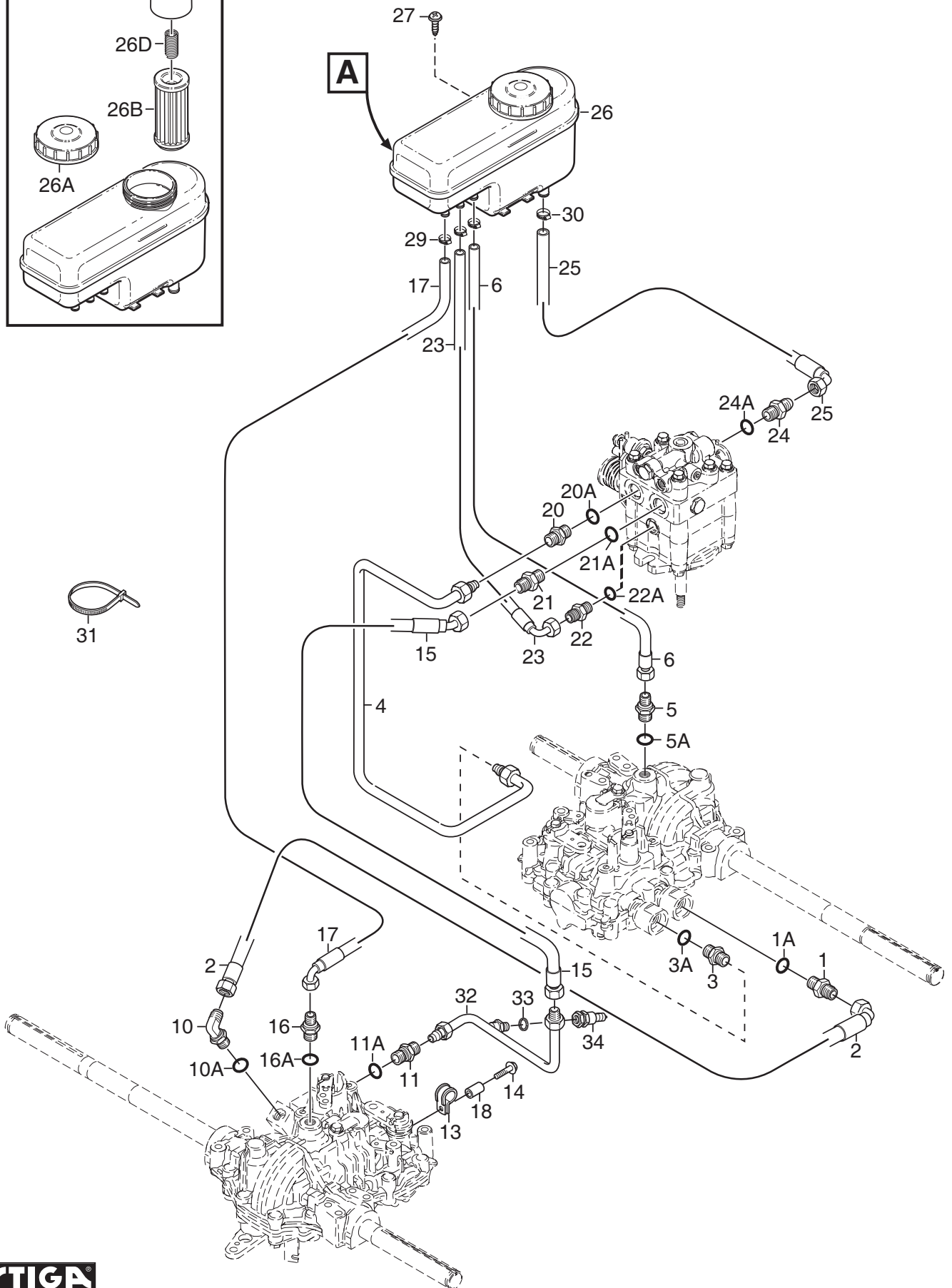
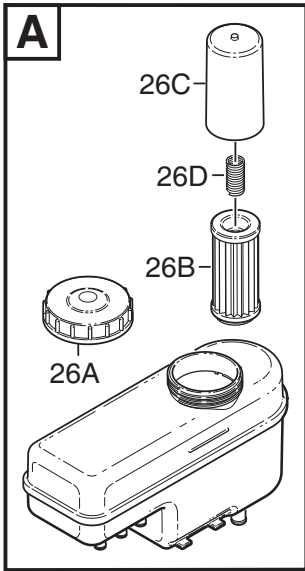
Utgåva Issue 2010- 11		Bildnr Picture No 1802C			PARK PRO 4WD PRO 16- PRO 20- PRO 23 MOTOR (Briggs & Stratton)		PARK PRO 4WD PRO 16- PRO 20- PRO 23 ENGINE (Briggs & Stratton)		Sida Page 166	
Pos. Fig.	Antal/Quantity				Art nr Part No	Benämning	Description	Sats Kit	Anmärkning Notes	
	6271	6273	6274							
4A	1				1134-6116-04	Luftkanal.....	Air duct		Ø = 200, H = 45 mm Ø = 215, H = 6 mm	
4B		1	1		1134-6116-01	Luftkanal.....	Air duct			
5	4	4	4		9955-3725-16	Skruv.....	Screw.....			
6	1	1			1134-5733-01	Grenrör.....	Exhaust pipe			
X 6			1		1137-0083-01	Grenrör.....	Exhaust pipe			
7	4	4	4		9939-0820-16	Skruv.....	Screw.....			
8	1	1	1		9578-0011-01	Klämma	Clamp.....			
X 9	1	1	1		1137-0073-01	Ljuddämpare	Muffler			
10	1	1	1		9959-0820-16	Skruv.....	Screw.....			
11	1	1	1		9739-0831-22	Mutter.....	Nut.....			
12	1	1	1		1134-5827-01	Oljeavtappning kpl.....	Oil drain assy		L = 140 mm	
13	1	1	1		1134-5825-01	• Nippel	• Nipple.....			
14	1	1	1		9578-0023-04	• Slangklämma.....	• Hose clamp			
15	1	1	1		1134-3499-02	• Slangklämma.....	• Hose clamp			
16	1	1	1		1134-5826-01	• Plugg	• Plug.....			
17	1	1	1		1134-5865-01	Motorremskiva	Engine belt pulley.....			
18	1	1	1		9600-0251-00	Plattkil	Key.....			
19	1				9987-5364-12	Skruv.....	Screw.....		L = 64 mm	
19		1	1		9987-5376-12	Skruv.....	Screw.....		L = 76 mm	
20	1	1	1		1134-5644-01	Bensintank.....	Fuel tank		14 Liter	
21	1	1	1		1134-5532-01	Tanklock	Fuel tank cap.....			
22	1	1	1		1134-3224-01	Bensinkran.....	Fuel shut-off valve.....			
23	1	1	1		1134-3225-01	Gummibussning	Grommet.....			
24	1	1	1		1134-2975-05	Bensinslang	Fuel hose.....		L = 460 mm	
25	2	2	2		9578-0023-02	Slangklämma.....	Hose clamp			
26	1	1	1		1134-5615-01	Tankkonsol	Tank bracket.....			
27	1	1	1		1134-5621-01	Tankbygel	Tank loop			
28	1	1	1		1134-5622-01	Tankbygel	Tank loop			
29	1	1	1		1134-5623-01	Tankbygel	Tank loop			
30	1	1	1		1134-5765-01	Tankbygel	Tank loop			
31	2	2	2		1134-4481-02	Vingmutter.....	Wing nut			
32	2	2	2		9747-0631-02	Låsmutter	Lock nut			
33	1	1	1		9579-0003-00	Buntband	Cable holder			
34	2	2	2		9945-0816-16	Skruv.....	Screw.....			
35	1	1	1		9939-0820-16	Skruv.....	Screw.....			
36	1	1			1134-0994-02	Rörklammer.....	Tube clamp.....			
37	1	1	1		9699-0056-02	Planbricka.....	Flat washer.....			
45	1	1	1		9893-0616-16	Skruv.....	Screw.....			
X 46	1	1	1		1137-0072-01	Deflektor	Deflector			
47	2	2	2		9959-0820-16	Skruv.....	Screw.....			
48	2	2	2		9739-0831-22	Mutter.....	Nut.....			



Utgåva Issue		Bildnr Picture No		PARK PRO 4WD PRO SILVER MOTOR (Kohler)		PARK PRO 4WD PRO SILVER ENGINE (Kohler)		Sida Page	
2010- 11		1803						168	
Pos. Fig.	Antal/Quantity				Art nr Part No	Benämning	Description	Sats Kit	Anmärkning Notes
	6275								
5	4				9955-3725-16 Skruv.....	Screw.....			
6	1				1134-7877-01 Grenrör.....	Exhaust pipe			
8	1				9578-0011-01 Klämna.....	Clamp.....			
9	1				1134-5667-01 Ljuddämpare	Muffler			
10	1				9959-0820-16 Skruv.....	Screw.....			
11	1				9739-0831-22 Mutter.....	Nut.....			
12	1				1134-5827-04 Oljeavtappning kpl.....	Oil drain assy		L = 290 mm	
13	1				1134-5825-01 • Nippel.....	• Nipple.....			
14	1				9578-0023-04 • Slangklämna.....	• Hose clamp			
15	1				1134-3499-02 • Slangklämna.....	• Hose clamp			
16	1				1134-5826-01 • Plugg.....	• Plug.....			
17	1				1134-5866-01 Motorremskiva.....	Engine belt pulley.....			
18	1				9600-0251-00 Plattkil.....	Key.....			
19	1				9987-5376-12 Skruv.....	Screw.....			
20	1				1134-5644-01 Bensintank.....	Fuel tank		14 Liter	
21	1				1134-5532-01 Tanklock.....	Fuel tank cap.....			
22	1				1134-3224-01 Bensinkran.....	Fuel shut-off valve.....			
23	1				1134-3225-01 Gummibussning.....	Grommet.....			
24	1				1134-2975-04 Bensinslang.....	Fuel line.....		L = 710 mm	
25	2				9578-0023-02 Slangklämna.....	Hose clamp			
26	1				1134-5615-01 Tankkonsol.....	Tank bracket.....			
27	1				1134-5621-01 Tankbygel.....	Tank loop			
28	1				1134-5622-01 Tankbygel.....	Tank loop			
29	1				1134-5623-01 Tankbygel.....	Tank loop			
30	1				1134-5765-01 Tankbygel.....	Tank loop			
31	2				1134-4481-02 Vingmutter.....	Wing nut			
32	2				9747-0631-02 Låsmutter.....	Lock nut.....			
33	1				9579-0003-00 Buntband.....	Cable holder.....			
34	2				9945-0816-16 Skruv.....	Screw.....			
35	1				9959-0820-16 Skruv.....	Screw.....			
36	1				9747-0831-02 Mutter.....	Lock nut.....			
37	1				9699-0056-02 Planbricka.....	Flat washer.....			

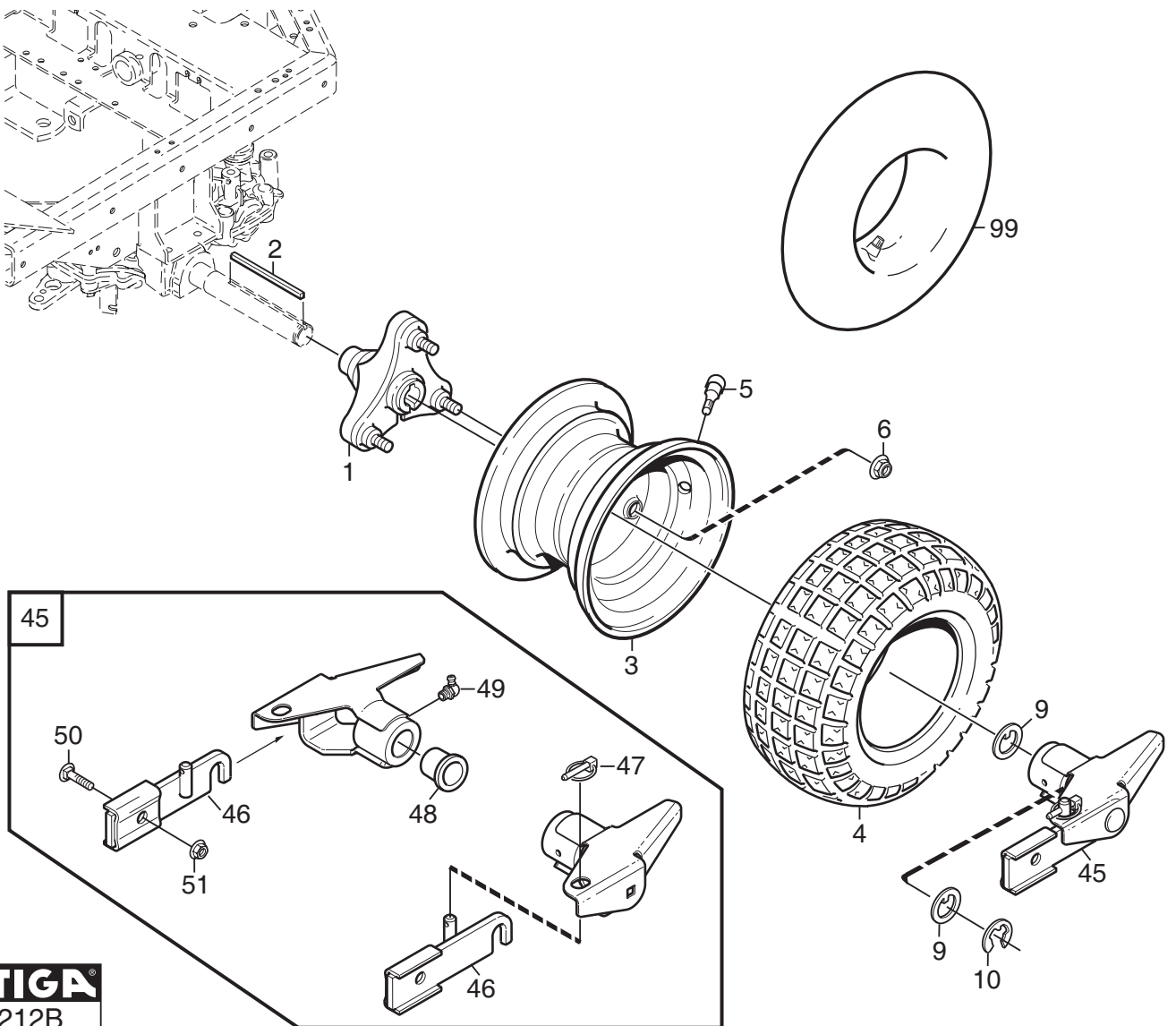
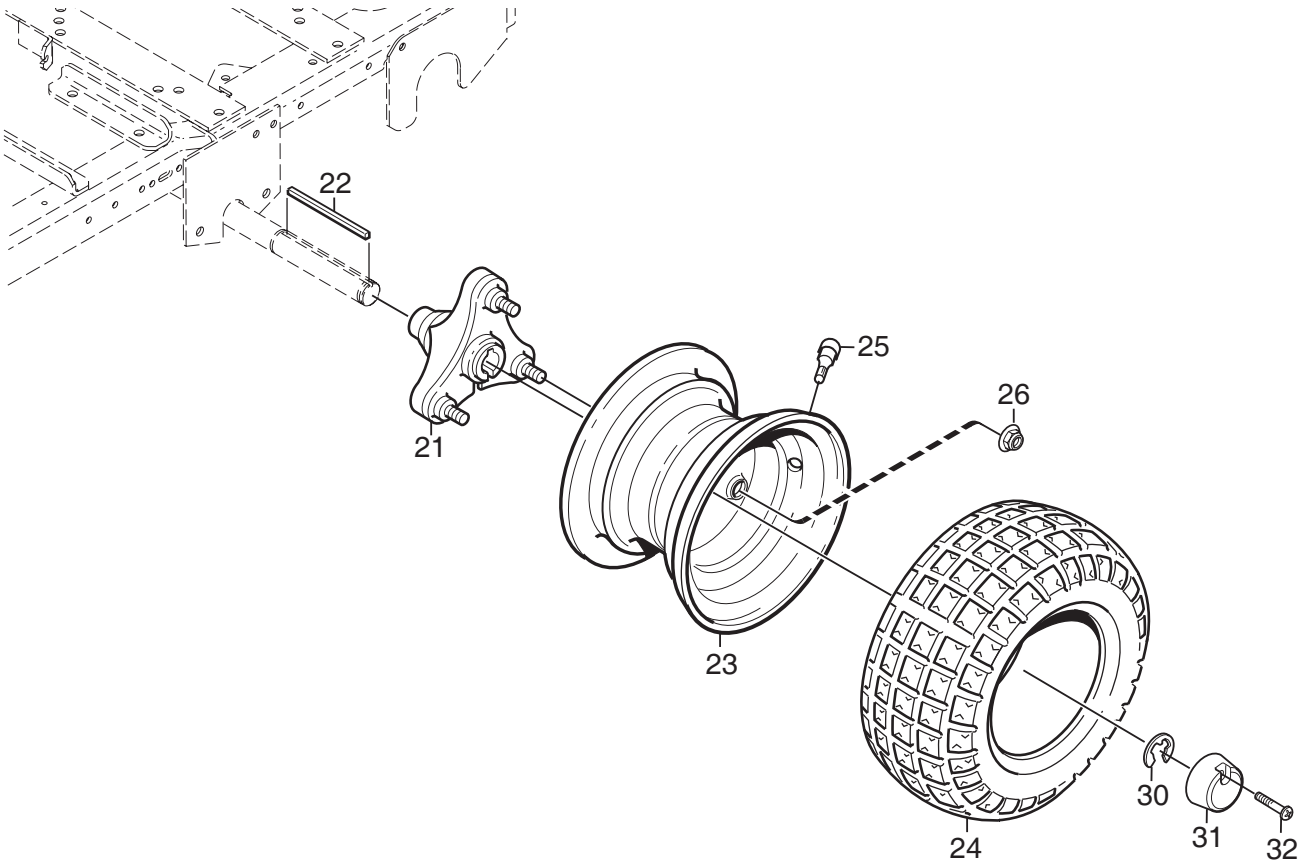


Utgåva Issue 2010-11		Bildnr Picture No 1804C		PARK PRO 4WD TRANSMISSION (mekaniska delar)		PARK PRO 4WD TRANSMISSION (mechanical parts)		Sida Page 170	
Pos. Fig.	Antal/Quantity				Art nr Part No	Benämning	Description	Sats Kit	Anmärkning Notes
	6271	6272	6273	6274					
1	1	1			1134-5739-01	Spännarm	Tension arm		
2	1	1			1134-3459-01	Spännrulle	Tension roller		
3	1	1			9997-1030-16	Skruv	Screw		
4	1	1			9739-1031-22	Mutter	Nut		
5	1	1			1134-0240-00	Ansattsskruv	Shoulder screw		
6	1	1			9665-0002-00	Brickfjäder	Bowed washer		
7	1	1			9747-0831-02	Mutter	Lock nut		
8	1	1			1134-5713-02	Fjäder	Spring		
9	1	1			1134-9058-01	Drivrem	V- belt		= 9585-0091-01
10	1	1			1134-5764-01	Remstyrning	Belt guide		
11	1	1			9959-0820-16	Skruv	Screw		
12	1	1			9739-0831-22	Mutter	Nut		
13	1	1			1134-5700-01	Hydraulpump kpl	Hydraulic pump assy		Kanzaki KPL 10ALP
14	1	1			1134-4190-01	Fläkt	Fan		
15	2	2			1134-5862-01	Distans	Spacer		
16	1	1			1134-5821-01	Remskiva	Belt pulley		
18	1	1			9731-1031-22	Mutter	Nut		
19	2	2			9997-1040-16	Skruv	Screw		
20	2	2			9699-0030-02	Planbricka	Flat washer		
21	2	2			9731-1031-22	Mutter	Nut		
22	1	1			1134-5763-01	Dragstång	Pull rod		
23	1	1			1134-4014-01	Plastknopp	Plastic button		
25	2	2			9675-0009-02	Starlock	Starlock		
26	1	1			1134-5701-01	Motoraxel- bak	Motor shaft- rear		Kanzaki KTM 10G
27	2	2			9960-0860-12	Skruv	Screw		
28	1	1			9699-0090-02	Planbricka	Flat washer		
29	2	2			9747-0831-02	Mutter	Lock nut		
30	1	1			1134-5703-01	Flänslagerenhet	Flange bearing		
30A	1	1			9501-0500-00	• Smörjnippel	• Grease joint		
31	2	2			9997-1040-16	Skruv	Screw		
32	2	2			9731-1031-22	Mutter	Nut		
33	1	1			1134-1565-15	Distans	Spacer		
34	1	1			9997-0812-02	Skruv	Screw		
35	1	1			9747-0831-02	Mutter	Lock nut		
36	1	1			1134-5702-01	Motoraxel- fram	Motor shaft- front		Kanzaki KTM 10F
37	2	2			9960-0860-12	Skruv	Screw		
38	1	1			9699-0090-02	Planbricka	Flat washer		
39	2	2			9747-0831-02	Mutter	Lock nut		
40	1	1			1134-5703-01	Flänslagerenhet	Flange bearing		
40A	1	1			9501-0500-00	• Smörjnippel	• Grease joint		
41	2	2			9997-1040-16	Skruv	Screw		
42	2	2			9731-1031-22	Mutter	Nut		
48	1	1			1134-5670-01	Reaktionsstag	Strut		
49	1	1			9997-0880-16	Skruv	Screw		
50	1	1			9747-0831-02	Mutter	Lock nut		
51	2	2			9945-0816-16	Skruv	Screw		
52	1	1			1134-4242-01	Distansbricka	Spacer washer		



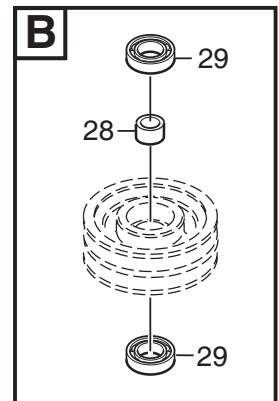
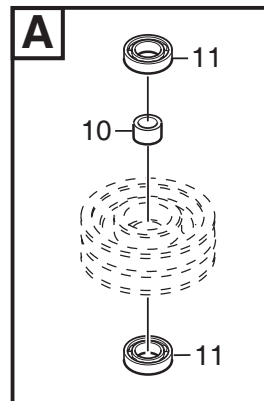
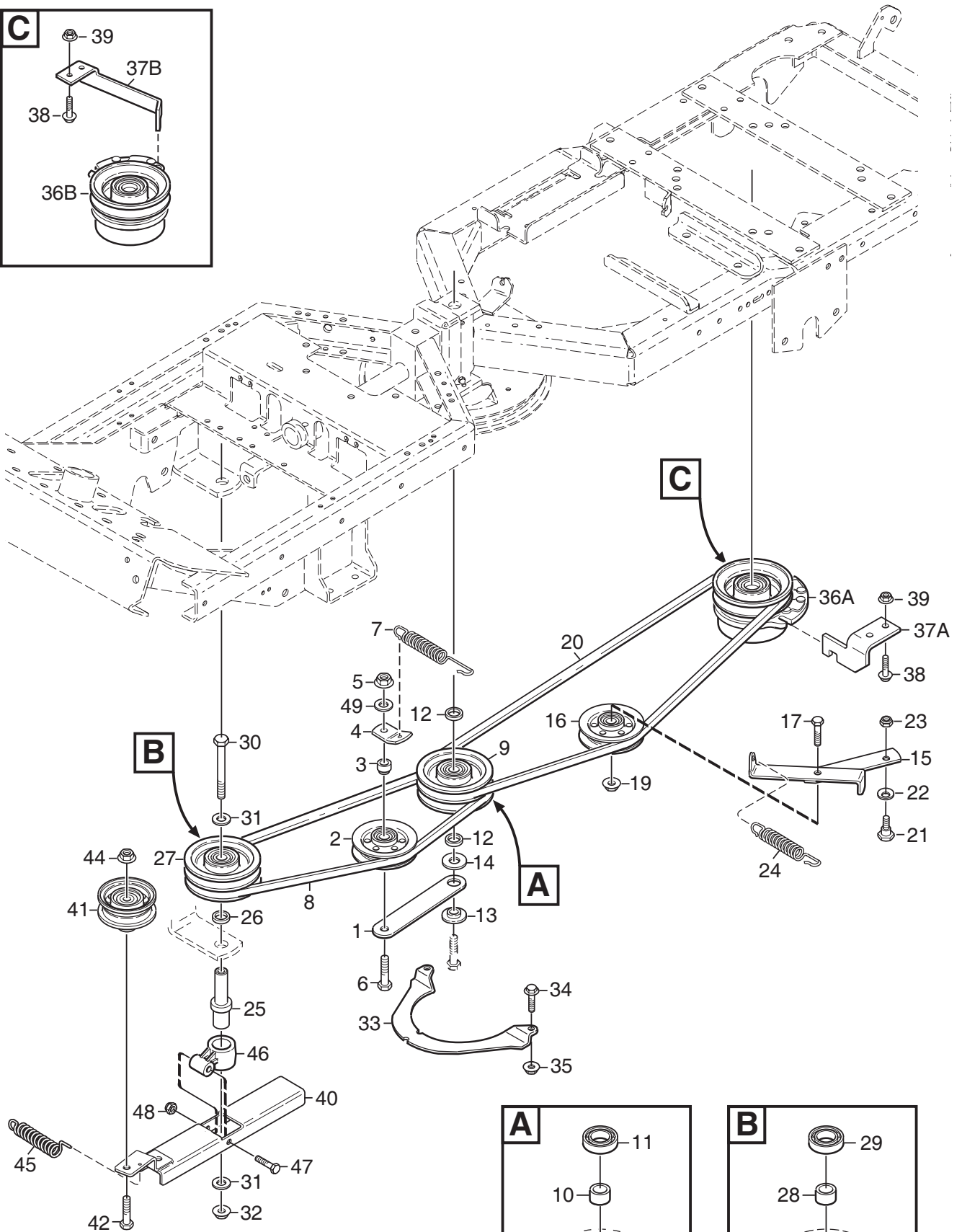
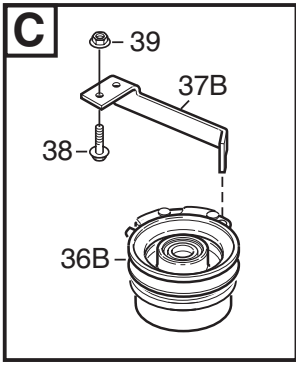
Utgåva Issue 2010- 11		Bildnr Picture No 1805B		PARK PRO 4WD TRANSMISSION (hydrauliska delar)		PARK PRO 4WD TRANSMISSION (hydraulic parts)		Sida Page 172	
Pos. Fig.	Antal/Quantity				Art nr Part No	Benämning	Description	Sats Kit	Anmärkning Notes
	6271	6272	6273	6274					
1	1	1			1134- 5810- 01	Adapter	Hydraulic coupling		3/4" x 3/4"
1A	1	1			9404- 0029- 01	• O- ring.....	• O- ring		
2	1	1			1134- 5754- 01	Hydraulslang	Hydraulic tube.....		
3	1	1			1134- 5808- 01	Skärringskoppling	Hydraulic coupling		3/4"
3A	1	1			9404- 0029- 01	• O- ring.....	• O- ring		
4	1	1			1134- 5814- 01	Hydraulrör	Hydraulic tube.....		
5	1	1			1134- 5809- 01	Adapter	Hydraulic coupling		3/4" x 9/16"
5A	1	1			9404- 0029- 01	• O- ring.....	• O- ring		
6	1	1			1134- 5759- 01	Hydraulslang	Hydraulic tube.....		
10	1	1			1134- 5807- 01	Vinkeladapter	Hydraulic coupling		3/4" x 3/4"
10A	1	1			9404- 0029- 01	• O- ring.....	• O- ring		
11	1	1			1134- 5875- 01	Skärringskoppling	Hydraulic coupling		3/4"
11A	1	1			9404- 0029- 01	• O- ring.....	• O- ring		
13	1	1			9578- 0028- 01	Rörklammer.....	Tube clamp.....		
14	1	1			9959- 0825- 16	Skruv	Screw		
15		1			1134- 5753- 01	Hydraulslang	Hydraulic tube.....		
15	1				1137- 0105- 01	Hydraulslang	Hydraulic tube.....		
16	1	1			1134- 5809- 01	Adapter	Hydraulic coupling		3/4" x 9/16"
16A	1	1			9404- 0029- 01	• O- ring.....	• O- ring		
17	1	1			1134- 5758- 01	Hydraulslang	Hydraulic tube.....		
18	1	1			1134- 1565- 09	Distans	Spacer.....		
20	1	1			1134- 5808- 01	Skärringskoppling	Hydraulic coupling		3/4"
20A	1	1			9404- 0029- 01	• O- ring.....	• O- ring		
21	1	1			1134- 5810- 01	Adapter	Hydraulic coupling		3/4" x 3/4"
21A	1	1			9404- 0029- 01	• O- ring.....	• O- ring		
22	1	1			1134- 4282- 01	Hydraulnippel	Hydraulic nipple		9/16" x 9/16"
22A	1	1			9404- 0028- 01	• O- ring.....	• O- ring		
23	1	1			1134- 5758- 02	Hydraulslang	Hydraulic tube.....		
24	1	1			1134- 5810- 01	Adapter	Hydraulic coupling		3/4" x 3/4"
24A	1	1			9404- 0029- 01	• O- ring.....	• O- ring		
25	1	1			1134- 5760- 01	Hydraulslang	Hydraulic tube.....		
26	1	1			1134- 5819- 02	Hydraultank kpl.....	Hydraulic oil tank		
26A	1	1			1134- 5965- 01	• Tanklock	• Tank cap		
26B	1	1			1134- 5962- 02	• Oljefilter	• Oil filter		
26C	1	1			1134- 5963- 01	• Hölje- oljefilter.....	• Cover- filter		
26D	1	1			1134- 5964- 01	• Fjäder.....	• Spring		
27	1	1			9838- 9516- 12	Skruv	Screw		
29	3	3			9578- 0023- 04	Slangklämma.....	Hose clamp		
30	1	1			9578- 0023- 05	Slangklämma.....	Hose clamp		
31	1	1			9579- 0003- 00	Buntband	Cable holder		
32	1	1			1134- 6039- 01	Hydraulrör	Hydraulic pipe		
33	1	1			1134- 4948- 01	Tredobricka.....	Seal washer.....		
34	1	1			1134- 6042- 01	Snabbkoppling- hane.....	Quick coupling- male.....		

X



Utgåva Issue		Bildnr Picture No		PARK PRO 4WD HJUL		PARK PRO 4WD WHEELS		Sida Page	
2010- 11		2212B						174	
Pos. Fig.	Antal/Quantity				Art nr Part No	Benämning	Description	Sats Kit	Anmärkning Notes
	6271 6272 6273 6274	6275							
1	2	2			1134-4844-03	Hjulnav	Wheel hub		17 x 8.00 - 8
2	2	2			1134-3383-02	Kil	Key		
3	2	2			1134-4558-01	Fälg	Rim		
4	2	2			9545-0124-01	Däck	Tyre		
5	2	2			9545-0500-00	Ventil	Valve		
6	6	6			9731-1031-22	Mutter	Nut		
9	4	4			1134-5797-01	• Bricka	• Washer		
10	2	2			9653-0002-04	• Spårryttare	• Lock ring		
21	2	2			1134-4844-03	Hjulnav	Wheel hub		
22	2	2			1134-3383-02	Kil	Key		
23	2	2			1134-4558-01	Fälg	Rim		
24	2	2			9545-0124-01	Däck	Tyre	17 x 8.00 - 8	
25	2	2			9545-0500-00	Ventil	Valve		
26	6	6			9731-1031-22	Mutter	Nut		
30	2	2			9653-0002-04	Spårryttare	Lock ring		
31	2	2			1134-4796-01	Navkapsel	Hub cap		
32	2	2			9947-0540-19	Skruv	Screw		
45	1	1			13-0993-61	Snabbfäste kpl	Quick connections		Inkl. pos 9,10,46- 51 Inkl. pos 50- 51
46	1	1			1134-7465-01	• Fästen kpl, vä+hö	• Attachment kit, LH+RH		
47	2	2			1137-0077-01	• Låssprint	• Locking pin		
48	4	4			1134-5686-01	• Lagerbussning	• Bearing bush		
49	2	2			9501-0502-00	• Smörjnippel	• Grease joint		
50	2	2			9898-1035-16	•• Skruv	•• Screw		
51	2	2			9739-1031-22	•• Mutter	•• Nut		
99					9545-0203-00	Innerslang	Inner tube	Reservdel/spare part	

X



Utgåva Issue		Bildnr Picture No		PARK PRO 4WD KRAFTUTTAG		PARK PRO 4WD POWER TAKE- OFF		Sida Page	
2010- 11		1807B						176	
Pos. Fig.	Antal/Quantity			Art nr Part No	Benämning	Description	Sats Kit	Anmärkning Notes	
	6271 6272	6273 6274 6275							
1	1	1		1134- 1730- 01	Spännhjulssarm	Tension wheel arm			
2	1	1		1134- 3663- 01	Spännrulle	Tension wheel			
3	1	1		1134- 1888- 05	Distans	Spacer			
4	1	1		1134- 1893- 01	Fjäderfäste	Spring attachment			
5	1	1		9739- 1031- 22	Mutter	Nut			
6	1	1		9997- 1060- 12	Skruv	Screw			
7	1	1		1134- 5713- 01	Dragfjäder	Spring			
8	1	1		1134- 9098- 01	Drivrem	V- belt			
9	1	1		1134- 1769- 03	Centrumremskiva kpl.	Centre pulley assy		= 9585- 0148- 01	
10	1	1		1134- 0051- 09	• Distans	• Spacer			
11	2	2		9549- 0019- 00	• Kullager	• Ball bearing			
12	2	2		1134- 0052- 00	Lagerdistans	Bearing spacer			
13	1	1		1134- 0222- 00	Bricka	Washer			
14	1	1		9699- 0109- 02	Planbricka	Flat washer			
15	1	1		1134- 5742- 01	Spännarm	Tension arm			
16	1	1		1134- 3663- 01	Spännrulle	Tension wheel			
17	1	1		9997- 1040- 16	Skruv	Screw			
19	1	1		9739- 1031- 22	Mutter	Nut			
20	1	1		1134- 9097- 01	Drivrem	V- belt		= 9585- 0147- 01	
21	1	1		1134- 0240- 00	Ansatssskruv	Shoulder screw			
22	1	1		9665- 0002- 00	Brickfjäder	Bowed washer			
23	1	1		9747- 0831- 02	Mutter	Lock nut			
24	1	1		1134- 5713- 03	Fjäder	Spring			
25	1	1		1134- 5663- 01	Axel	Shaft			
26	1	1		1134- 0052- 00	Lagerdistans	Bearing spacer			
27	1	1		1134- 1769- 03	Centrumremskiva kpl.	Centre pulley assy			
28	1	1		1134- 0051- 09	• Distans	• Spacer			
29	2	2		9549- 0019- 00	• Kullager	• Ball bearing			
30	1	1		9997- 1011- 06	Skruv	Screw			
31	2	2		9699- 0030- 02	Planbricka	Flat washer			
32	1	1		9739- 1031- 22	Mutter	Nut			
33	1	1		1134- 3654- 01	Fingerskydd	Finger guard			
34	2	2		9959- 0612- 16	Skruv	Screw			
35	2	2		9739- 0631- 22	Mutter	Nut			
36A	1			1134- 7430- 01	Magnetkoppling	Magnet clutch			
36B		1		1134- 5674- 01	Magnetkoppling	Magnet clutch			
37A	1			1134- 5664- 01	Momentstag	Torque plate			
37B		1		1134- 6452- 01	Momentstag	Torque plate			
38	2	2		9959- 0820- 16	Skruv	Screw			
39	2	2		9739- 0831- 22	Mutter	Nut			
40	1	1		1134- 5660- 01	Spännarm	Tension arm			
41	1	1		1134- 5823- 01	Spännrulle	Tension roller			
42	1	1		9997- 1050- 16	Skruv	Screw			
44	1	1		9739- 1031- 22	Mutter	Nut			
45	1	1		1134- 5824- 01	Fjäder	Spring			
46	1	1		1134- 6314- 01	Spännarmsfäste	Attachment			
47	1	1		9997- 0645- 12	Skruv	Screw			
48	1	1		9747- 0631- 02	Låsmutter	Lock nut			
49	1	1		9699- 0035- 02	Planbricka	Flat washer			