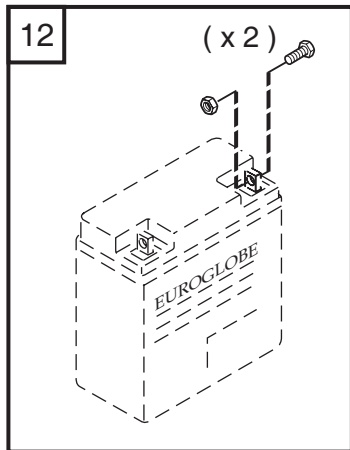
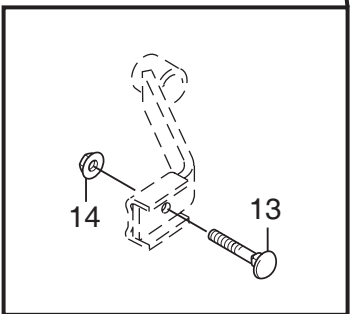
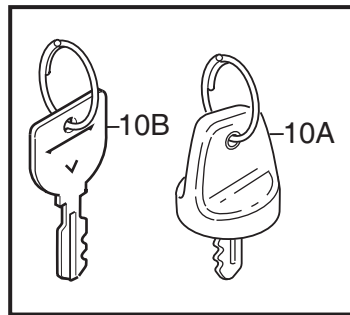
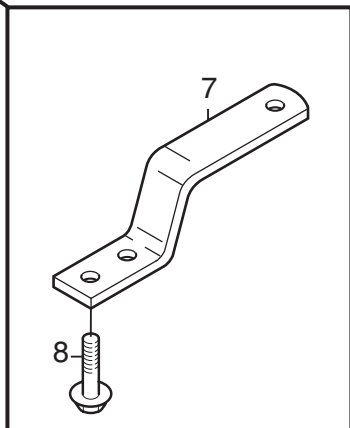
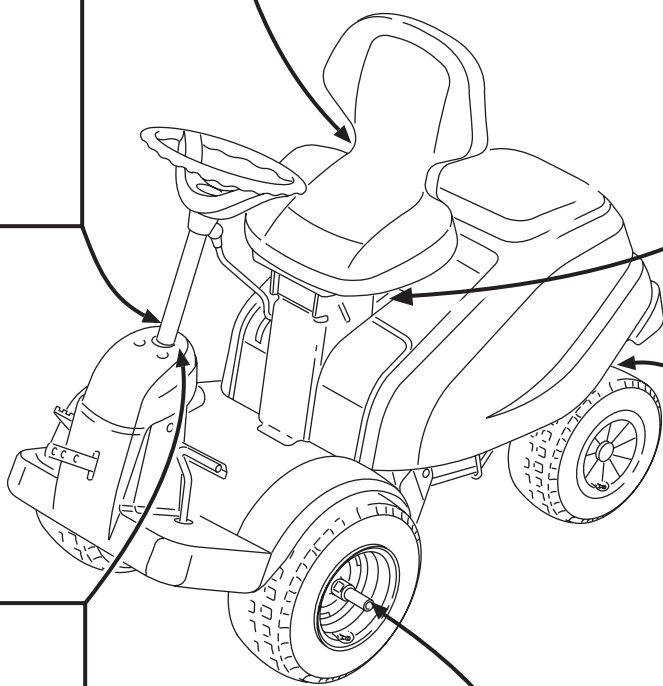
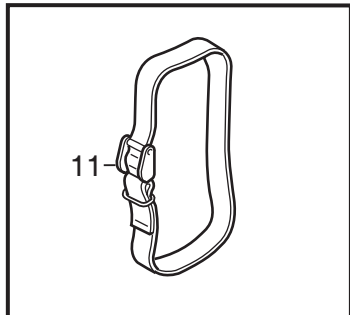
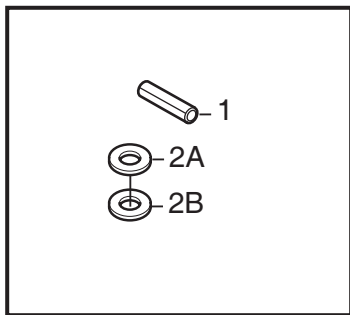
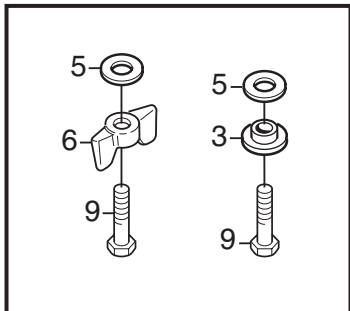
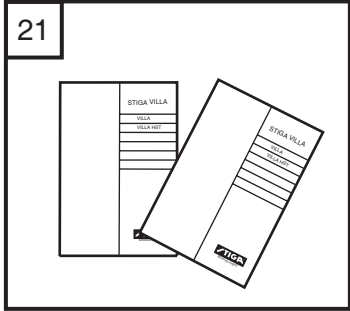


# Genuine Spare Parts

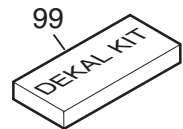
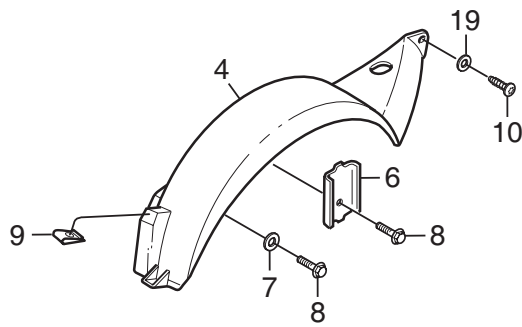
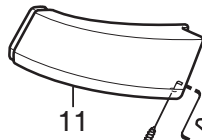
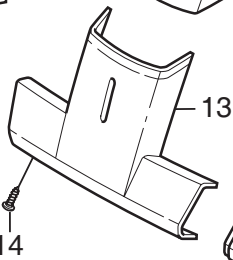
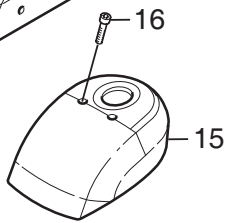
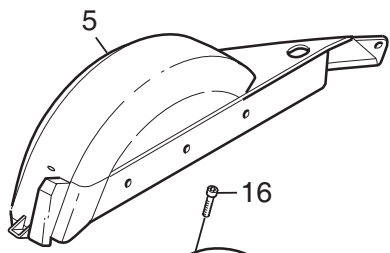
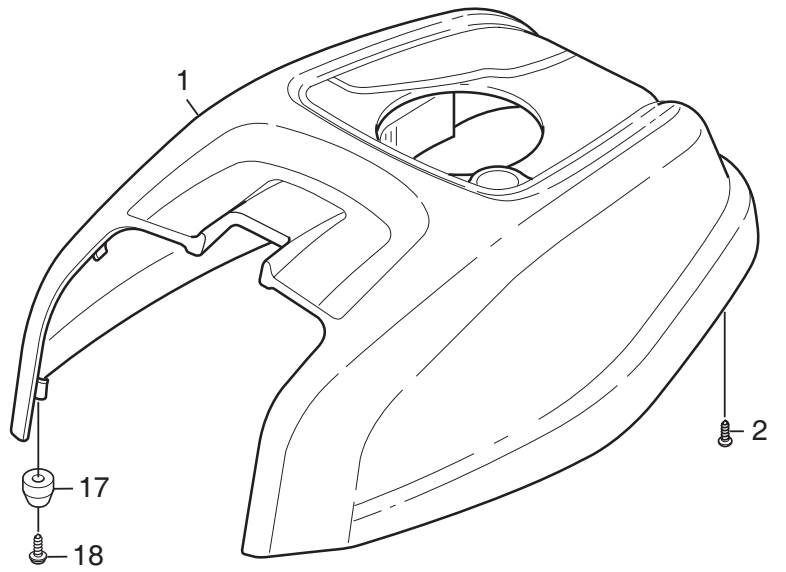
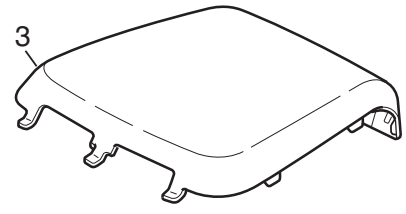
---



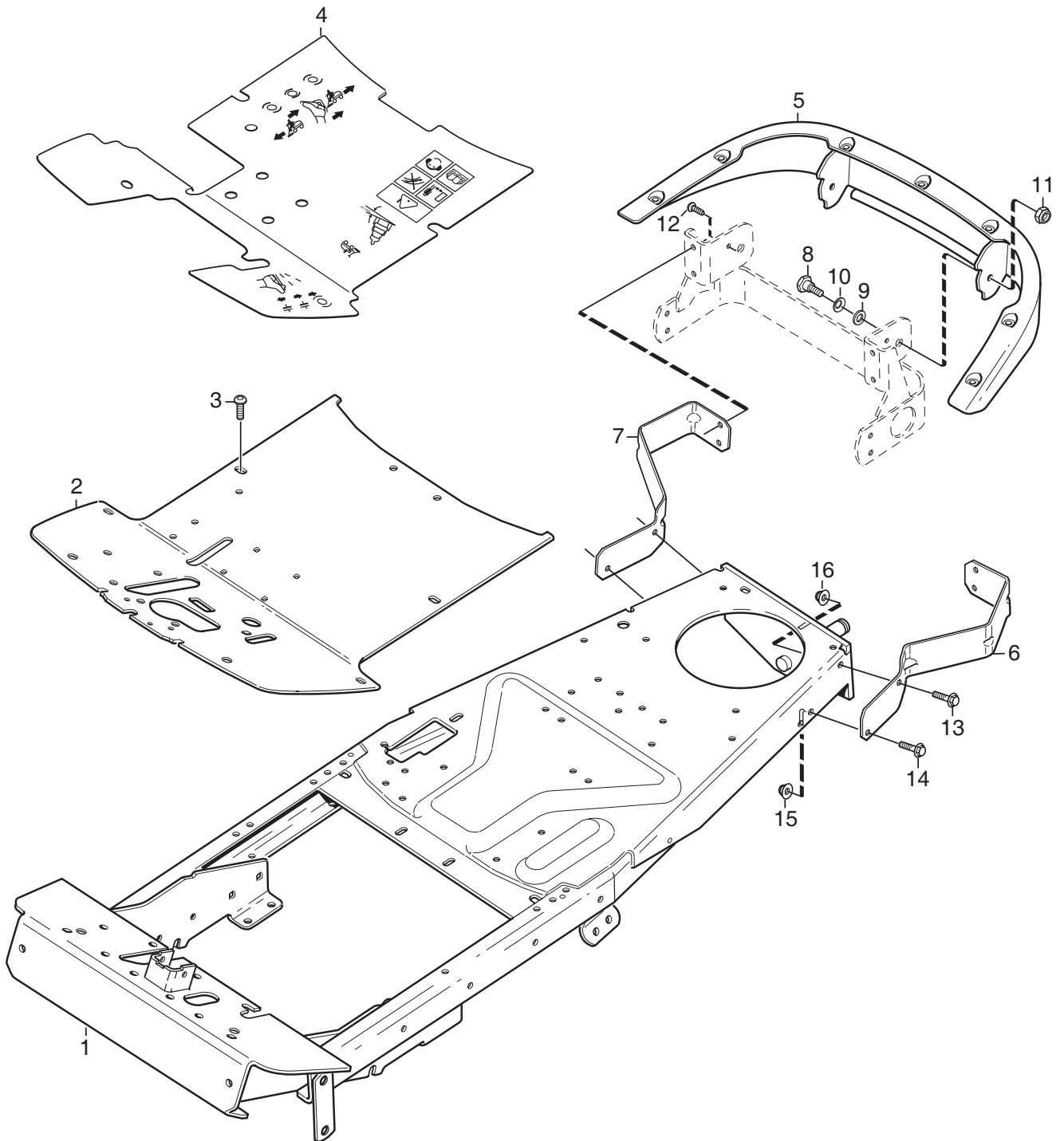


Utgåva Issue 2010-11		Bildnr Picture No 2196A		READY-VILLA MONTERINGSDETALJER		READY-VILLA ASSEMBLY PARTS		Sida Page 236	
Pos. Fig.	Antal/Quantity			Art nr Part No	Benämning	Description	Sats Kit	Anmärkning Notes	
	2725	2717	2715						
1	1	1	1	9595-0262-00	Spännstift .....	Locating pin .....			
2A	1	1	1	9699-0103-02	Shims .....	Flat washer .....		0.5 mm	
2B	1	1	1	9699-0114-02	Shims .....	Flat washer .....		1.0 mm	
3	2	2	2	1134-4185-01	Ansatsbricka .....	Flange washer .....			
5	4	4	4	9699-0056-02	Planbricka .....	Flat washer .....			
6	2	2	2	1134-4481-01	Vingmutter .....	Wing nut .....			
7	1	1	1	1134-4627-01	Dragögla .....	Tow bar .....			
8	2	2	2	9959-0820-16	Skruv .....	Screw .....			
9	4	4	4	9997-0820-16	Skruv .....	Screw .....			
10A	1	1	1	1134-4734-01	Tändningsnyckel .....	Ignition key .....			
10B	1	1	1	1134-6125-01	Tändningsnyckel .....	Ignition key .....			
11	1	1	1	1134-5245-01	Batterirem .....	Battery strap .....			
12	1	1	1	1134-6113-01	Batteriskruvar .....	Battery screws .....			
13	2	2	2	9898-1035-16	Skruv .....	Screw .....			
14	2	2	2	9739-1031-22	Mutter .....	Nut .....			
21		1		8211-0011-00	Bruksanvisning .....	Owner's manual .....			
21			1	8211-0034-90	Bruksanvisning .....	Owner's manual .....			
21	1			8211-0036-90	Bruksanvisning .....	Owner's manual .....			
21	1	1		8211-0603-90	Monteringsanvisning .....	Assy instructions .....			
21			1	8211-0612-90	Monteringsanvisning .....	Assy instructions .....			
21	1	1	1	8211-0701-91	Säkerhetsföreskrifter .....	Safety regulations .....			
21	1	1	1	8211-0960-90	Garantikort .....	Warranty card .....			

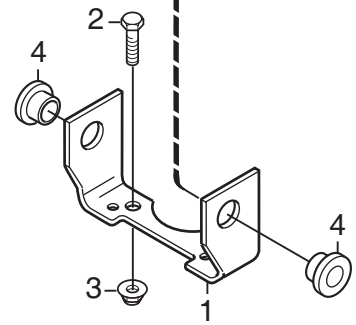
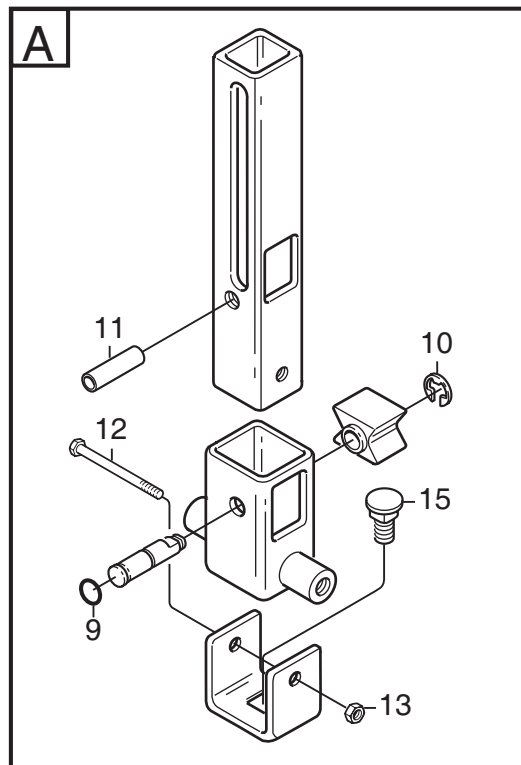
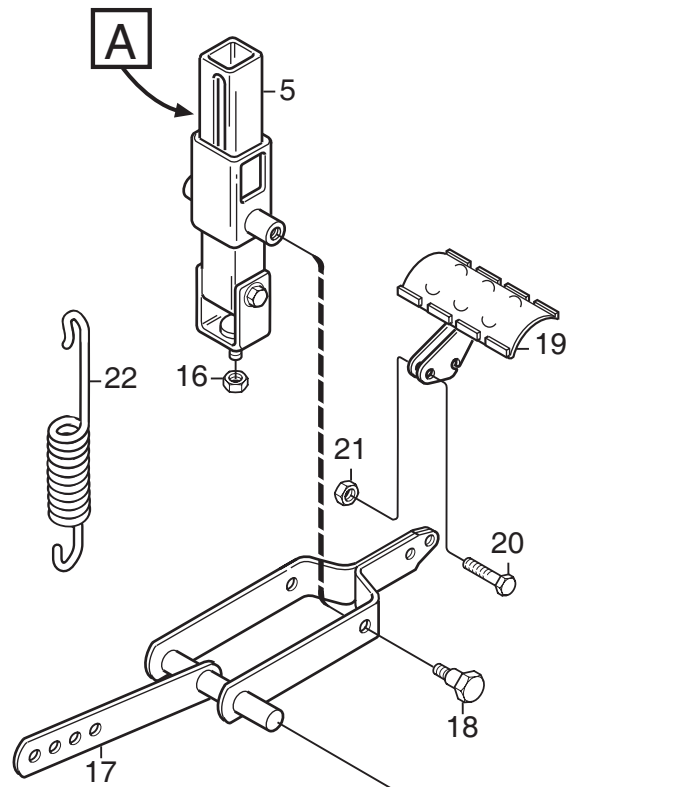
X



Utgåva Issue		Bildnr Picture No		READY-VILLA KAROSS		READY-VILLA BODY WORK		Sida Page	
2010- 11		1641A						238	
Pos. Fig.	Antal/Quantity			Art nr Part No	Benämning	Description	Sats Kit	Anmärkning Notes	
	2717 2725	2715							
X	1		1	1134-5283-01	Motorhuv- grå.....	Engine hood- grey .....		Villa 12	
	1	1		1134-5283-02	Motorhuv- gul.....	Engine hood- yellow .....			
	2	7		9838-9530-12	Skruv .....	Screw .....			
	3		1	1134-5284-01	Motorlucka- gul .....	Engine cover- yellow .....			
	3	1		1134-5284-02	Motorlucka- grå .....	Engine cover- grey .....			
	4	1	1	1134-5307-01	Stänkskärm- vä, grå.....	Mud guard- LH, grey .....			
	5	1	1	1134-5307-02	Stänkskärm- hö, grå .....	Mud guard- RH, grey.....			
	6	2	2	1137-0088-01	Stödplåt .....	Support plate .....			
	7	4	4	9699-0056-02	Planbricka.....	Flat washer.....			
	8	6	6	9945-0816-16	Skruv .....	Screw .....			
	9	4	4	1134-4176-01	Clips .....	Clips .....			
	10	4	4	9893-0616-16	Skruv .....	Screw .....			
	11	1	1	1134-5306-01	Stötfångare, front- vä.....	Bumper, front- LH .....			
	12	1	1	1134-5306-02	Stötfångare, front- hö .....	Bumper, front- RH .....			
	13	1	1	1134-5305-01	Front- nedre .....	Front plate- lower .....			
	14	6	6	9893-0616-16	Skruv .....	Screw .....			
	15	1	1	1134-5304-01	Front- övre .....	Front- upper .....			
	16	2	2	9946-0525-16	Skruv .....	Screw .....			
	17	2	2	1134-4790-02	Styrning .....	Hood guide .....			
	18	2	2	9838-9530-12	Skruv .....	Screw .....			
19	2	2	9699-0060-02	Planbricka.....	Flat washer.....				
99	1		1134-6426-01	Dekalsats .....	Label kit .....				

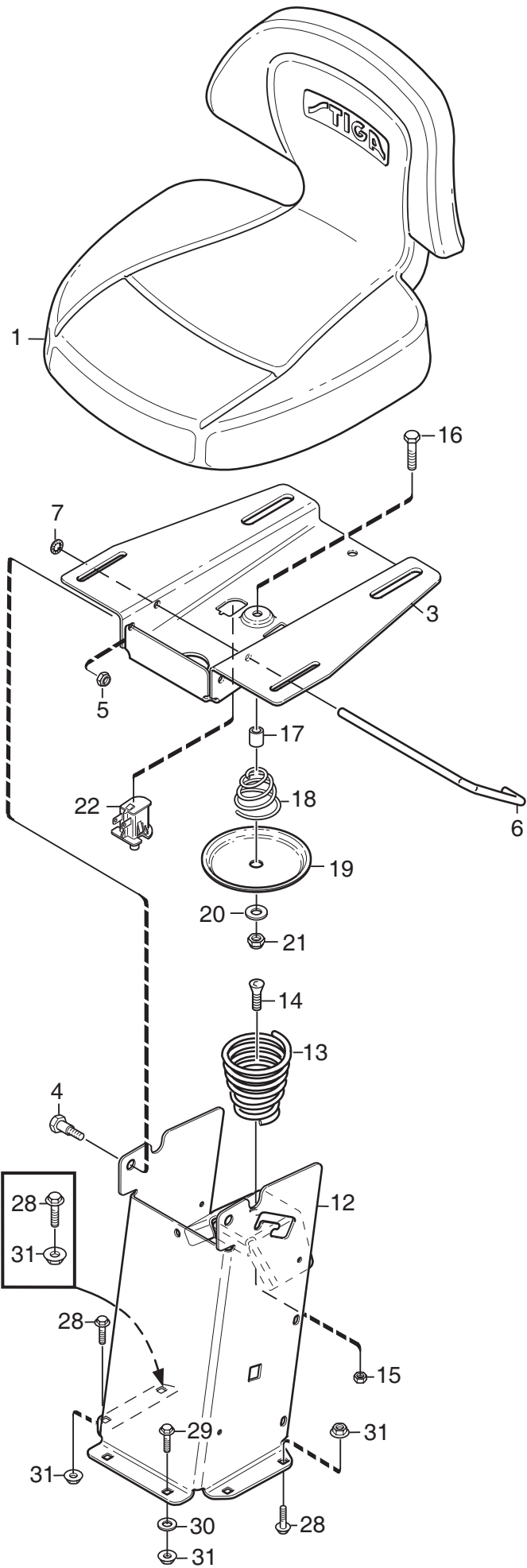


Utgåva Issue		Bildnr Picture No		READY- VILLA RAM		READY- VILLA FRAME		Sida Page	
2010- 11		1642B						240	
Pos. Fig.	Antal/Quantity			Art nr Part No	Benämning	Description	Sats Kit	Anmärkning Notes	
	2717 2725	2715							
1	1	1		1134-6635-01	Ram.....	Frame.....			
2	1	1		1134-5293-01	Durk.....	Floor plate.....			
3	2	2		9893-0616-16	Skruv.....	Screw.....			
4	1	1		1134-5338-03	Durkmatta.....	Floor mat.....			
5		1		1134-5453-01	Stötfångare- bak, sv.....	Bumper- rear, black.....			
5	1			1134-5453-03	Stötfångare- bak, grå.....	Bumper- rear, grey.....			
6	1	1		1134-6630-01	Stag- vä.....	Attachment- LH.....			
7	1	1		1134-6630-02	Stag- hö.....	Attachment- RH.....			
8	2	2		1134-0240-00	Ansatssskruv.....	Shoulder screw.....			
9	2	2		1134-4242-01	Distansbricka.....	Spacer washer.....			
10	2	2		9694-0001-00	Fjäderbricka.....	Washer.....			
11	2	2		9747-0831-02	Mutter.....	Lock nut.....			
12	2	2		9943-0516-16	Skruv.....	Screw.....			
13	2	2		9959-0820-16	Skruv.....	Screw.....			
14	2	2		9959-0825-16	Skruv.....	Screw.....		L = 20 mm	
15	1	1		9739-0831-22	Mutter.....	Nut.....		L = 25 mm	
16	3	3		9739-0831-22	Mutter.....	Nut.....			

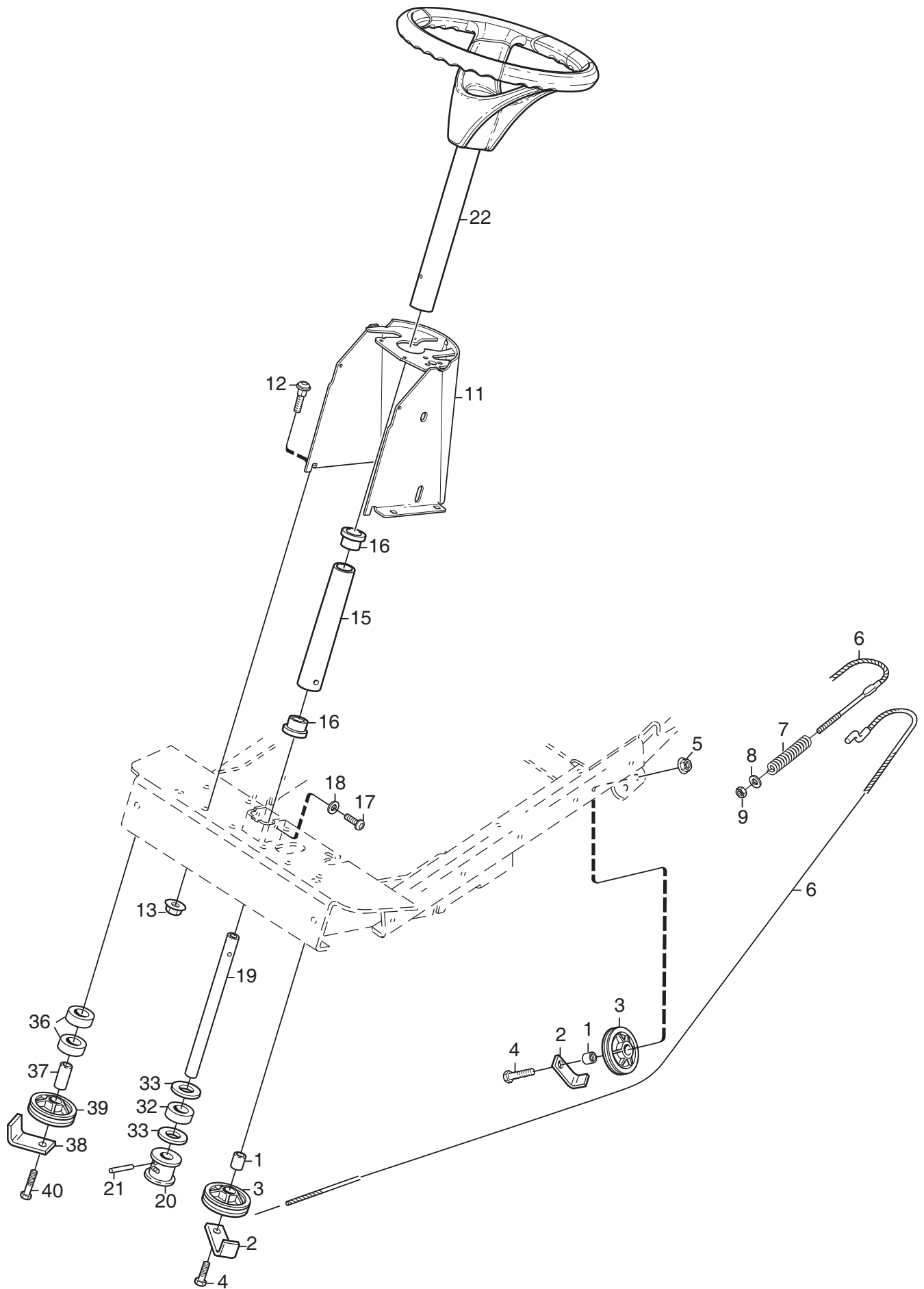




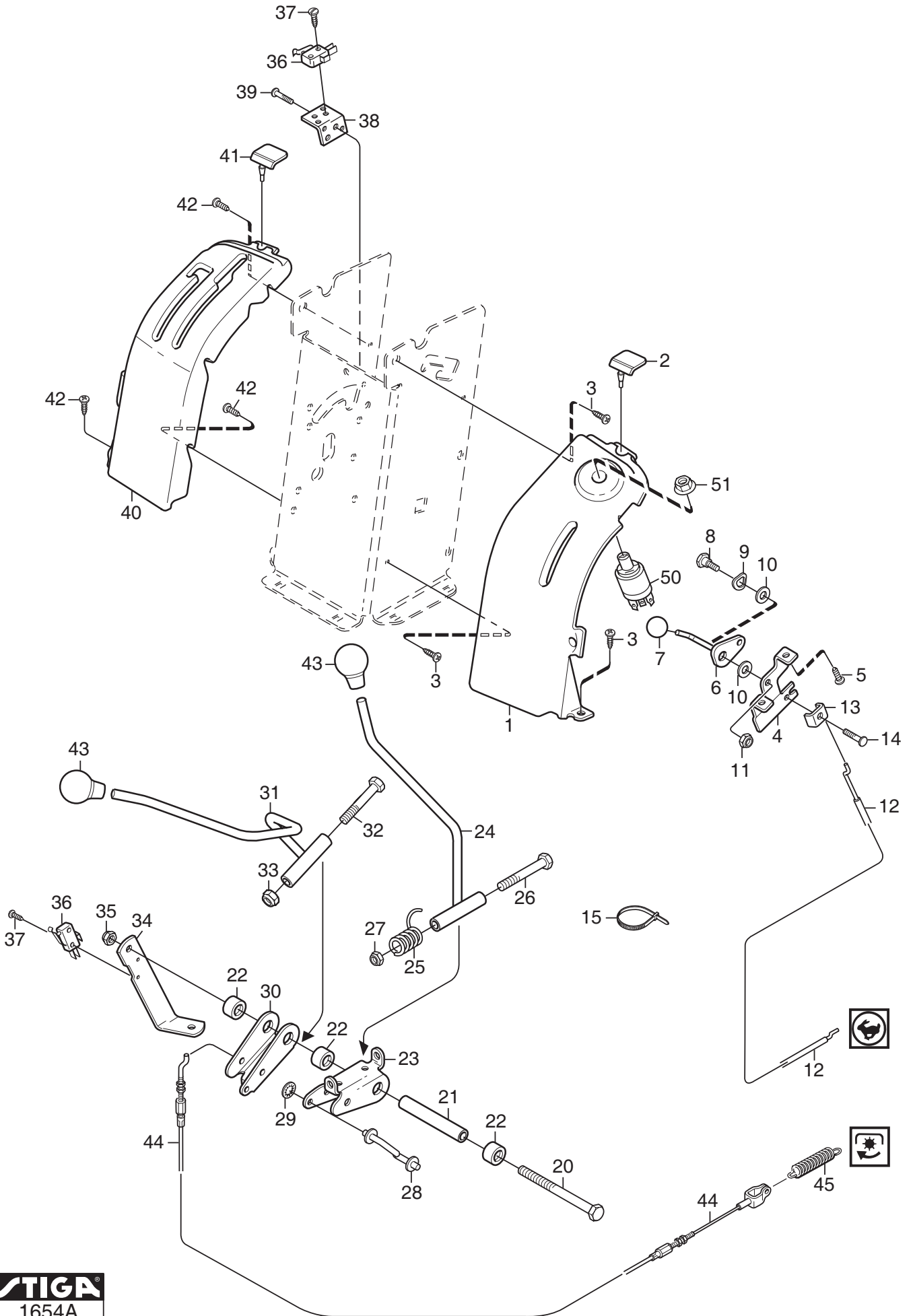
Utgåva Issue		Bildnr Picture No		READY- VILLA REDSKAPSLYFT		READY- VILLA LIFTING DEVICE		Sida Page	
2010- 11		1151C						242	
Pos. Fig.	Antal/Quantity				Art nr Part No	Benämning	Description	Sats Kit	Anmärkning Notes
	2715	2717	2725						
1	1				1134-4117-01 Fäste .....	Bracket .....			
2	2				9959-1025-16 Skruv .....	Screw .....			
3	2				9739-1031-22 Mutter .....	Nut .....			
4	2				1134-2684-01 Lager .....	Bearing .....			
5	1				1134-4945-01 Lyftspärr kpl .....	Lift catch assy .....			
9	1				9404-0027-01 • O- ring .....	• O- ring .....			
10	1				9650-0039-04 • Seegersäkring .....	• Lock ring .....			
11	1				9595-0276-01 • Spännstift .....	• Locating pin .....			
12	1				9997-0640-12 • Skruv .....	• Screw .....			
13	1				9747-0631-02 • Låsmutter .....	• Lock nut .....			
15	1				9897-0820-16 • Skruv .....	• Screw .....			
16	1				9747-0831-02 Mutter .....	Lock nut .....			
17	1				1134-4860-01 Lyftgaffel .....	Lift fork .....			
18	2				1134-0240-00 Ansätsskruv .....	Shoulder screw .....			
19	1				1134-4938-01 Lyftpedal .....	Lift pedal .....			
20	2				9997-0625-16 Skruv .....	Screw .....			
21	2				9739-0631-22 Mutter .....	Nut .....			
22	1				4231-0013-00 Fjäder .....	Spring .....			



Utgåva Issue		Bildnr Picture No		READY-VILLA SITS	READY-VILLA SEAT	Sida Page			
2010-11		1652A				244			
Pos. Fig.	Antal/Quantity				Art nr Part No	Benämning	Description	Sats Kit	Anmärkning Notes
	2715	2717	2725						
1	1				1134-5506-01 Sits .....	Seat .....			
3	1				1134-5301-01 Sitsplatta .....	Seat plate .....			
4	2				1134-0240-00 Ansatsskruv .....	Shoulder screw .....			
5	2				9747-0831-02 Mutter .....	Lock nut .....			
6	1				1134-5454-01 Spärr .....	Catch .....			
7	1				9675-0012-02 Starlock .....	Locking washer .....			
12	1				1134-5296-04 Sitskonsol- gul .....	Seat bracket- yellow .....			
13	1				1134-4256-01 Sitsfjäder .....	Seat spring .....			
14	1				9924-1235-19 Skruv .....	Screw .....			
15	1				9747-1231-02 Låsmutter .....	Lock nut .....			
16	1				9997-0840-16 Skruv .....	Screw .....			
17	1				1134-1565-06 Distans .....	Spacer .....			
18	1				1134-5302-01 Fjäder .....	Spring .....			
19	1				1134-5299-01 Tryckplatta .....	Push plate .....			
20	1				9699-0090-02 Planbricka .....	Flat washer .....			
21	1				9747-0831-02 Mutter .....	Lock nut .....			
22	1				1134-3156-02 Brytare (grå) .....	Switch (grey) .....			
28	4				9959-0820-16 Skruv .....	Screw .....			L = 20 mm
29	2				9959-0825-16 Skruv .....	Screw .....			L = 25 mm
30	2				9699-0056-02 Planbricka .....	Flat washer .....			
31	6				9739-0831-22 Mutter .....	Nut .....			

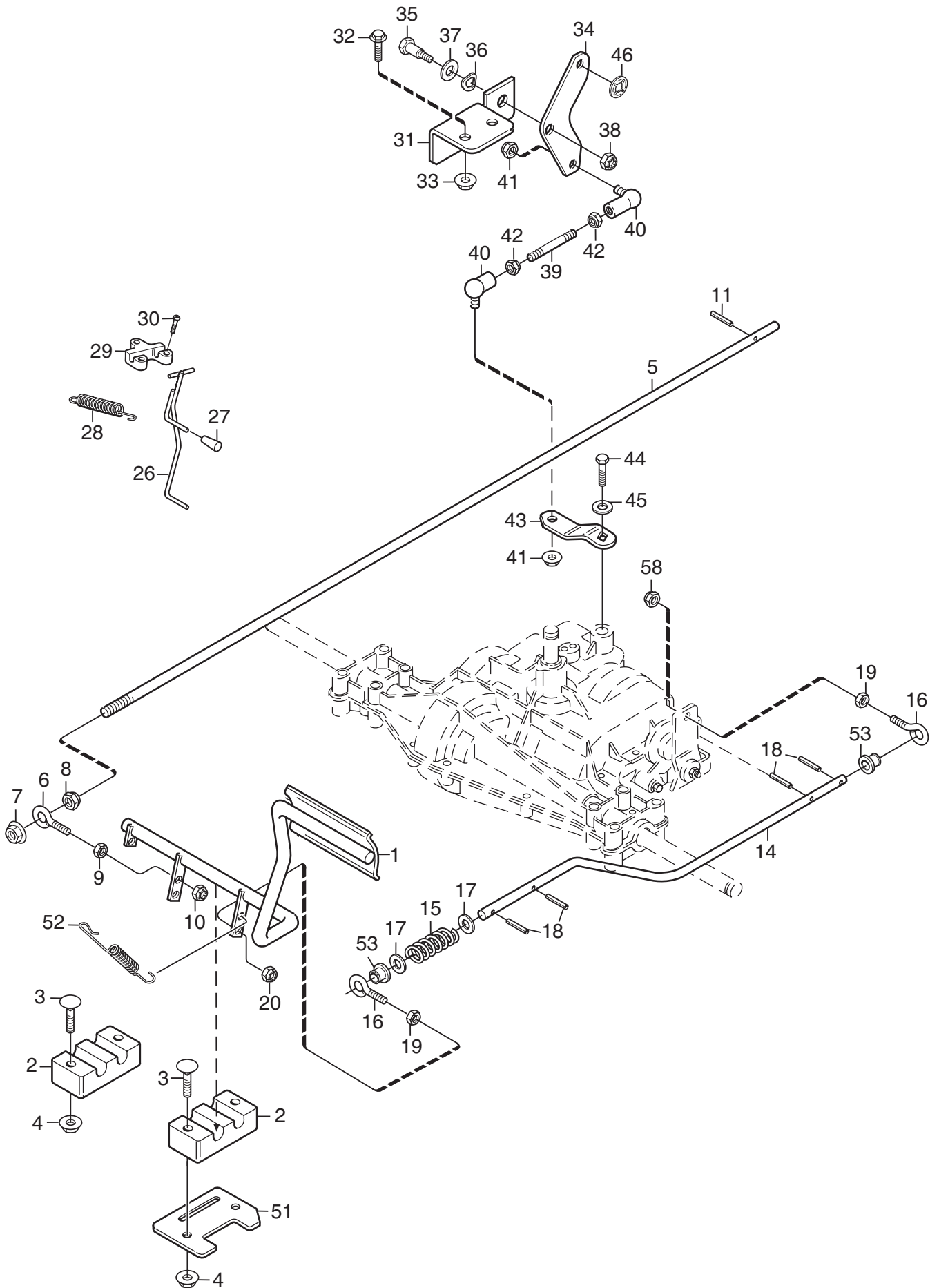


Utgåva Issue		Bildnr Picture No		READY- VILLA STYRNING		READY- VILLA STEERING		Sida Page	
2010- 11		2199A						246	
Pos. Fig.	Antal/Quantity				Art nr Part No	Benämning	Description	Sats Kit	Anmärkning Notes
	2715	2717	2725						
X	1	3			1134- 0041- 01	Linhjulshylsa .....	Bushing .....		Sats 2 st/kit of 2 L = 40 mm
	2	3			1134- 0046- 00	Linhållare .....	Wire clamp .....		
	3	1			1134- 9025- 01	Linhjul- sats .....	Steering pulley- kit .....		
	4	3			9997- 1040- 16	Skruv .....	Screw .....		
	5	2			9739- 1031- 22	Mutter .....	Nut .....		
	6	1			1134- 9154- 01	Styrwire .....	Steering cable .....		
	7	1			1134- 1310- 01	Tryckfjäder .....	Compression spring .....		
	8	1			9699- 0056- 02	Planbricka .....	Flat washer .....		
	9	1			9747- 0831- 02	Mutter .....	Lock nut .....		
	11	1			1134- 5349- 03	Styrkonsol- grå .....	Steering console- grey .....		
	12	4			9897- 0820- 16	Skruv .....	Screw .....		
	13	4			9739- 0831- 22	Mutter .....	Nut .....		
	15	1			1134- 1305- 05	Rattör- nedre .....	Steering column- lower .....		
	16	2			1134- 1901- 01	Lager .....	Bearing .....		
	17	2			9893- 0616- 16	Skruv .....	Screw .....		
	18	2			9699- 0060- 02	Planbricka .....	Flat washer .....		
	19	1			1134- 5495- 01	Rattstång .....	Steering rod .....		
	20	1			1134- 1933- 01	Styrrulle .....	Steering pulley .....		
	21	1			9595- 0262- 00	Spännstift .....	Locating pin .....		
	22	1			1134- 5496- 01	Ratt .....	Steering wheel .....		
	32	1			1134- 3047- 01	Distans .....	Spacer .....		
	33	2			9699- 0104- 02	Bricka .....	Washer .....		
	36	2			1134- 3047- 01	Distans .....	Spacer .....		
	37	1			1134- 0041- 05	Hylsa .....	Bushing .....		
	38	1			1134- 0046- 00	Linhållare .....	Wire clamp .....		
	39	1			1134- 9025- 01	Linhjul- sats .....	Steering pulley- kit .....		
	40	1			9997- 1060- 12	Skruv .....	Screw .....		
									Sats 2 st/kit of 2 L = 60 mm



Utgåva Issue		Bildnr Picture No		READY- VILLA HANDREGLAGE	READY- VILLA HAND CONTROLS	Sida Page			
2010- 11		1654A				248			
Pos. Fig.	Antal/Quantity				Art nr Part No	Benämning	Description	Sats Kit	Anmärkning Notes
	2715	2717	2725						
1	1				1134-5286-01	Reglagepanel- vä .....	Control panel- LH .....		
2	2				1134-5531-01	Dämpare .....	Absorber .....		
3	3				9893-0616-16	Skruv .....	Screw .....		
4	1				1134-5357-01	Fäste .....	Bracket .....		
5	2				9838-9516-12	Skruv .....	Screw .....		
6	1				1134-4077-01	Gasreglage .....	Throttle control .....		
7	1				1134-4078-01	Knopp .....	Knob .....		
8	1				1134-0240-00	Ansatssskruv .....	Shoulder screw .....		
9	1				9694-0001-00	Fjäderbricka .....	Washer .....		
10	2				1134-4242-01	Distansbricka .....	Spacer washer .....		
11	1				9747-0831-02	Mutter .....	Lock nut .....		
12	1				1134-1597-13	Gaswire .....	Throttle cable .....		
13	1				9500-9991-00	Wireklämma .....	Cable clamp .....		
14	1				9943-0516-16	Skruv .....	Screw .....		
15	1				9579-0003-00	Buntband .....	Cable holder .....		
20	1				9997-0812-02	Skruv .....	Screw .....		
21	1				1134-5274-02	Distans .....	Spacer .....		
22	3				1134-3047-01	Distans .....	Spacer .....		
23	1				1134-5271-01	Reglagefäste .....	Control bracket .....		
24	1				1134-5275-01	Växelspak .....	Gear shift lever .....		
25	1				1134-5535-01	Fjäder .....	Spring .....		
26	1				9997-0890-12	Skruv .....	Screw .....		
27	1				9747-0831-02	Mutter .....	Lock nut .....		
28	1				1134-5268-01	Stag .....	Shifter rod .....		
29	1				9675-0009-02	Starlock .....	Starlock .....		
30	1				1134-5271-01	Reglagefäste .....	Control bracket .....		
31	1				1134-5276-01	Reglagespak .....	Control lever .....		
32	1				9997-0890-12	Skruv .....	Screw .....		
33	1				9747-0831-02	Mutter .....	Lock nut .....		
34	1				1134-5356-01	Stag .....	Strut .....		
35	1				9747-0831-02	Mutter .....	Lock nut .....		
36	2				9400-0360-01	Mikrobrytare .....	Micro switch .....		
37	4				9840-7716-16	Skruv .....	Screw .....		
38	1				1134-5358-01	Brytarfäste .....	Switch bracket .....		
39	2				9943-0516-16	Skruv .....	Screw .....		
40	1				1134-5285-01	Reglagepanel- hö .....	Control panel- RH .....		
41	2				1134-5531-01	Dämpare .....	Absorber .....		
42	4				9893-0616-16	Skruv .....	Screw .....		
43	2				1134-2551-01	Reglageknopp .....	Knob .....		
44	1				1134-3573-06	Krafttuttagswire .....	PTO cable .....		
45	1				1134-1242-02	Fjäder .....	Spring .....		
50	1				1134-4093-01	Tändningslås .....	Ignition switch .....		
51	1				1134-4749-01	Mutter .....	Nut .....		

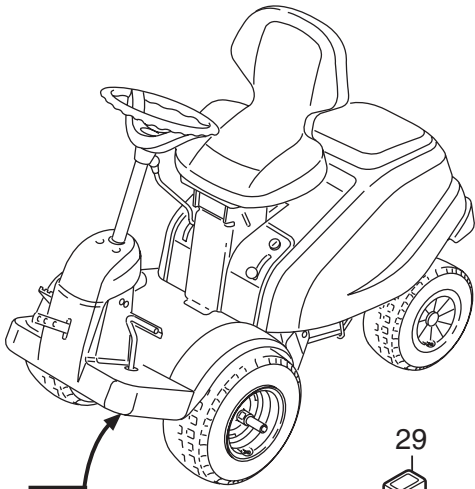
X



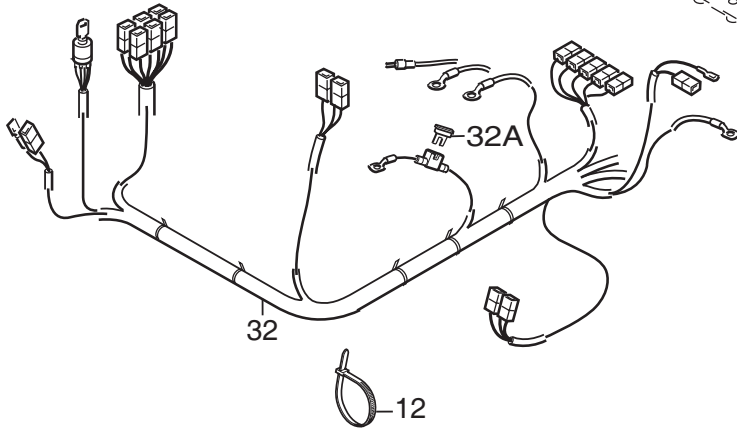
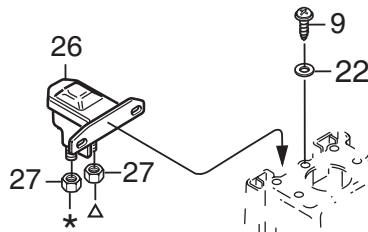
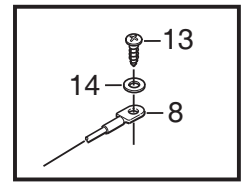
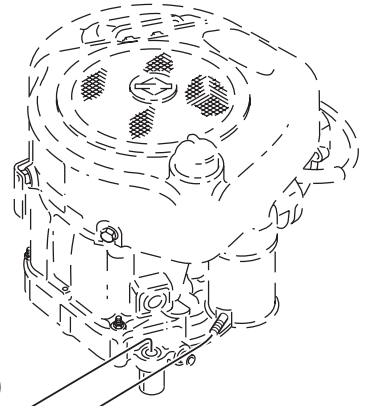
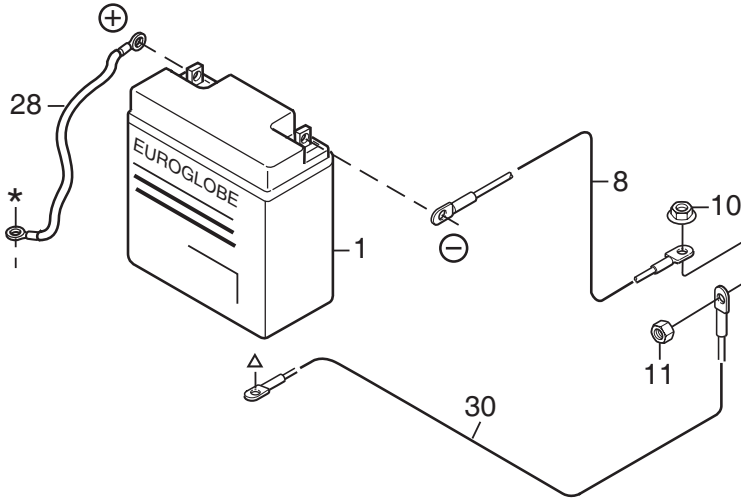


Utgåva Issue		Bildnr Picture No		READY- VILLA FOTREGLAGE		READY- VILLA FOOT CONTROLS		Sida Page	
2010- 11		1644B						250	
Pos. Fig.	Antal/Quantity				Art nr Part No	Benämning	Description	Sats Kit	Anmärkning Notes
	2715	2717	2725						
1	1				1134-4802-01	Pedal .....	Pedal .....		
2	2				1134-4624-01	Lager .....	Bearing .....		
3	4				9897-0640-12	Skruv .....	Screw .....		
4	4				9739-0631-22	Mutter .....	Nut .....		
5	1				1134-4795-01	Kopplingsstång .....	Clutch rod .....		
6	1				1134-2138-01	Skruvögla .....	Eye bolt .....		
7	1				9739-1031-22	Mutter .....	Nut .....		
8	1				9731-1031-22	Mutter .....	Nut .....		
9	1				9739-0831-22	Mutter .....	Nut .....		
10	1				9747-0831-02	Mutter .....	Lock nut .....		
11	1				9595-0208-00	Spännstift .....	Locating pin .....		
14	1				1134-4777-01	Bromsstag .....	Brake rod .....		
15	1				1134-4617-01	Fjäder .....	Spring .....		
16	2				1134-2138-01	Skruvögla .....	Eye bolt .....		
17	2				9699-0035-02	Planbricka .....	Flat washer .....		
18	4				9595-0208-00	Spännstift .....	Locating pin .....		
19	2				9739-0831-22	Mutter .....	Nut .....		
20	1				9747-0831-02	Mutter .....	Lock nut .....		
26	1				1134-5353-01	Bromsstång .....	Brake rod .....		
27	1				1134-2786-01	Plastknopp .....	Plastic knob .....		
28	1				1131-1497-01	Fjäder .....	Spring .....		
29	1				1134-4002-01	Fäste .....	Brake rod attachment .....		
30	3				9838-9516-12	Skruv .....	Screw .....		
31	1				1134-4714-01	Fästvinkel .....	Angle bracket .....		
32	2				9959-0820-16	Skruv .....	Screw .....		
33	2				9739-0831-22	Mutter .....	Nut .....		
34	1				1134-4715-01	Triangel .....	Triangular plate .....		
35	1				1134-0240-00	Ansattsskruv .....	Shoulder screw .....		
36	1				9694-0001-00	Fjäderbricka .....	Washer .....		
37	1				9699-0036-02	Planbricka .....	Flat washer .....		
38	1				9747-0831-02	Mutter .....	Lock nut .....		
39	1				1134-4717-02	Gångstång .....	Threaded rod .....		
40	2				9570-0004-00	Vinkellänk .....	Elbow link .....		
41	2				9747-0631-02	Låsmutter .....	Lock nut .....		
42	2				9739-0631-22	Mutter .....	Nut .....		
43	1				1134-6351-01	Växelarm .....	Shift lever .....		
44	1				9987-5016-16	Skruv .....	Screw .....		
45	1				9699-0060-02	Planbricka .....	Flat washer .....		
46	1				9675-0009-02	Starlock .....	Starlock .....		
51	1				1134-4793-01	Stopplåt .....	Stop plate .....		
52	1				4231-0013-00	Fjäder .....	Spring .....		
53	2				1134-4779-01	Plastbussning .....	Plastic bushing .....		
58	1				9747-0831-02	Mutter .....	Lock nut .....		

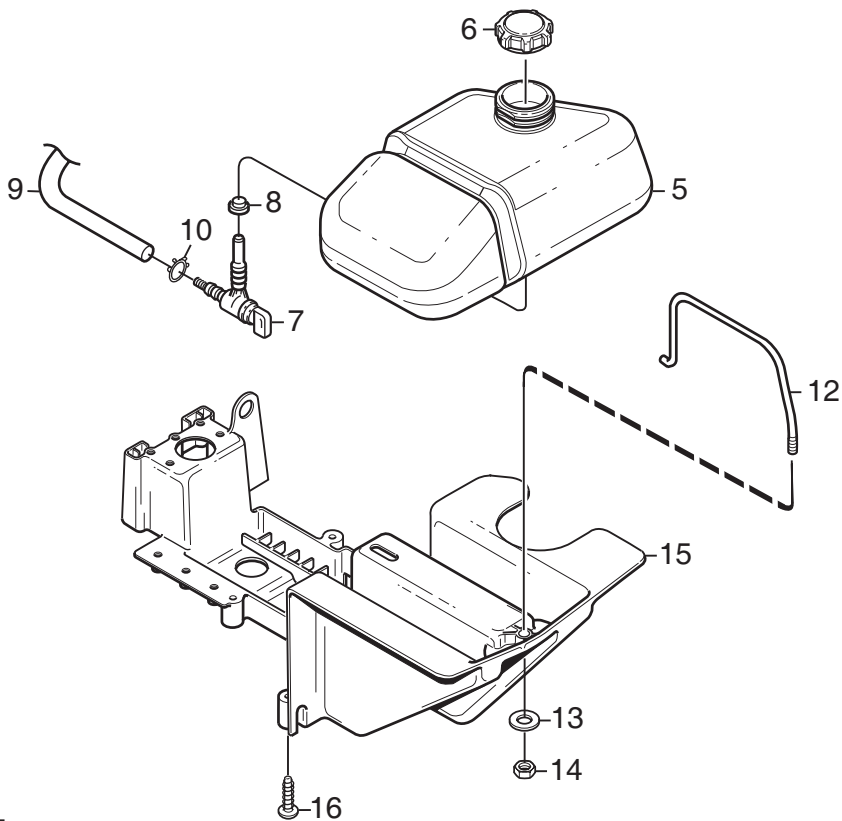
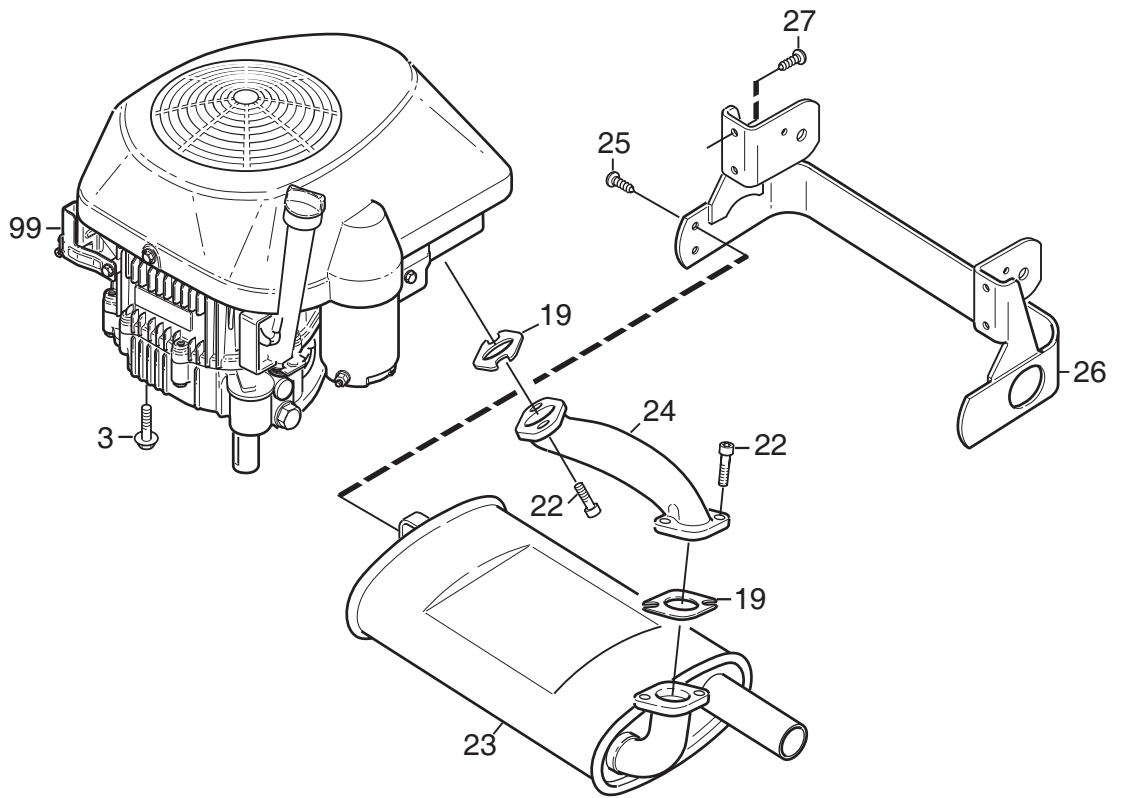
Dana 6800-7



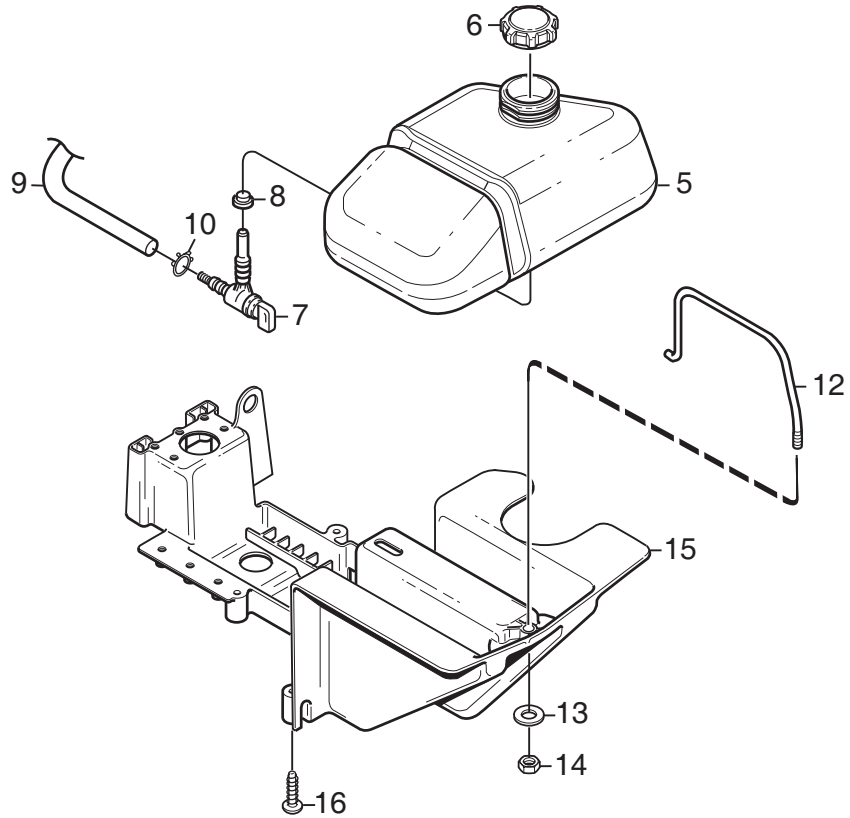
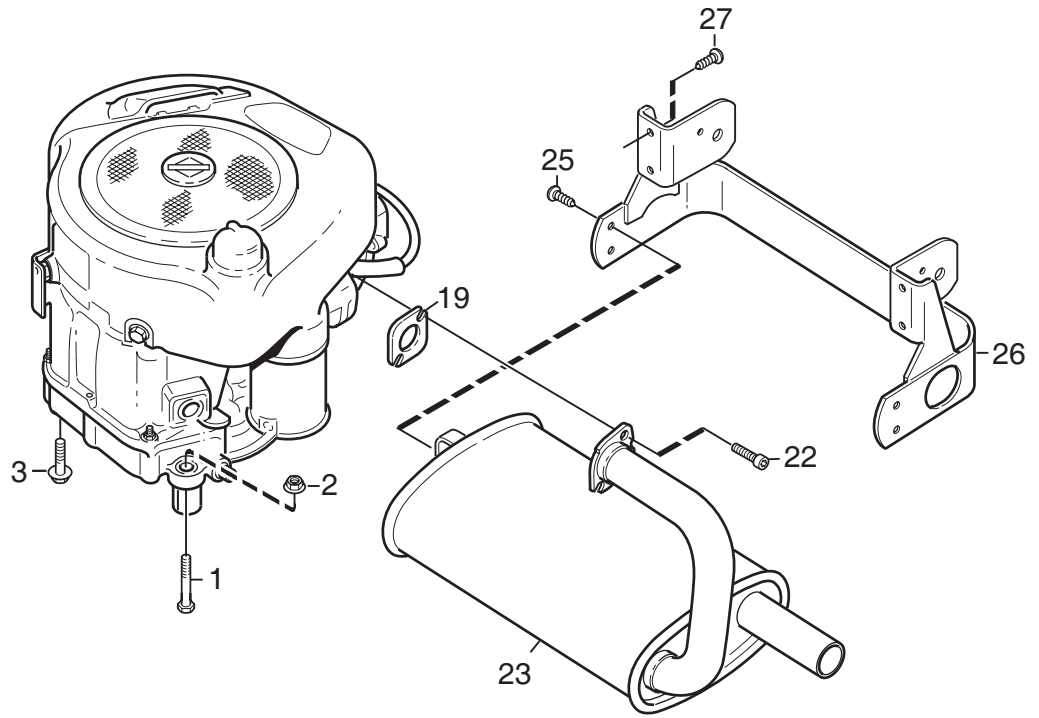
**A**



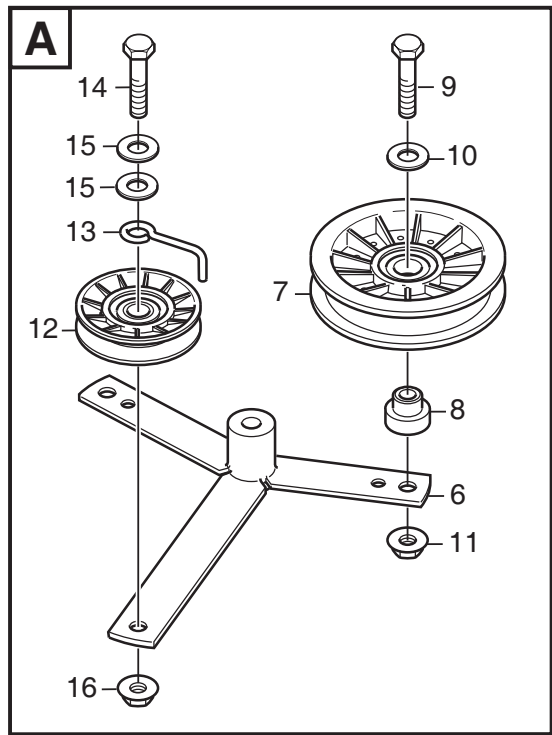
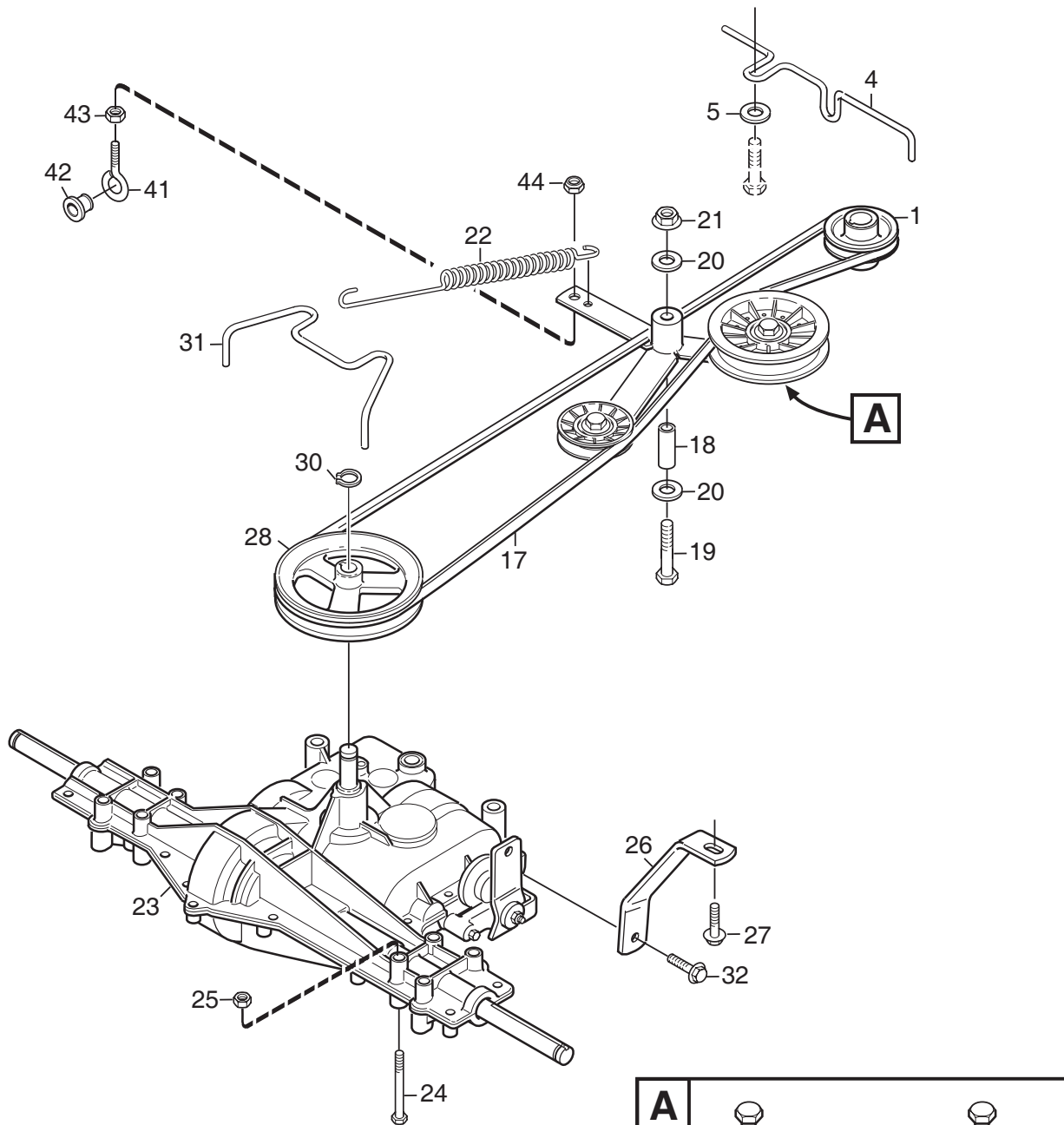
Utgåva Issue		Bildnr Picture No		READY-VILLA ELUTRUSTNING		READY-VILLA EL. EQUIPMENT		Sida Page	
2010-11		1650C						252	
Pos. Fig.	Antal/Quantity			Art nr Part No	Benämning	Description	Sats Kit	Anmärkning Notes	
	2725	2715 2717							
1	1	1		1134-6677-01	Batteri.....	Battery .....			
8	1	1		1134-2042-02	Kabel- svart.....	Cable- black.....		L = 350 mm	
9	1	1		9838-9516-12	Skruv.....	Screw .....			
10		1		9747-0831-02	Mutter.....	Lock nut .....			
11		1		9739-0631-22	Mutter.....	Nut .....		M6	
11	1			9795-3531-02	Mutter.....	Nut .....		1/4 UNC	
12	3	3		9579-0003-00	Buntband .....	Cable holder .....			
13	1			9893-0616-16	Skruv.....	Screw .....			
14	1			9699-0060-02	Planbricka.....	Flat washer.....			
22	1	1		9699-0060-02	Planbricka.....	Flat washer.....			
26	1	1		1134-2962-01	Solenoid kpl .....	Solenoid assy.....			
27	2	2		9794-5131-02	• Mutter.....	• Nut .....			
28	1	1		1134-0234-02	Batterikabel ( + ).....	Battery cable ( + ).....		L = 395 mm	
29	1	1		1134-2310-01	Batteriskydd.....	Guard cap .....			
30	1	1		1134-4702-02	Kabel- röd .....	Cable- red.....		L = 480 mm	
32	1	1		1134-7218-01	Kablage.....	Harness.....			
32A	1	1		1134-3496-06	• Säkring .....	• Fuse .....		20A	



Utgåva Issue		Bildnr Picture No		VILLA MOTOR (GGP)		VILLA ENGINE (GGP)		Sida Page	
2010- 11		2519						254	
Pos. Fig.	Antal/Quantity				Art nr Part No	Benämning	Description	Sats Kit	Anmärkning Notes
	2725								
X	3	4			9955-3725-16	Skruv.....	Screw.....		3/8" x 25
	5	1			1134-6626-01	Bränsletank.....	Fuel tank .....		
	6	1			1134-5532-01	Tanklock .....	Fuel tank cap.....		
	7	1			1134-3224-01	Bensinkran.....	Fuel shut-off valve.....		
	8	1			1134-3225-01	Gummibussning .....	Grommet.....		
	9	0,26			9505-0001-01	Bensinslang (meter) .....	Fuel line (metre).....		Per meter
	10	2			9578-0023-02	Slangklämma.....	Hose clamp .....		
	12	1			1134-4808-01	Tankbygel .....	Tank clamp .....		
	13	1			9699-0060-02	Planbricka.....	Flat washer.....		
	14	1			9747-0631-02	Låsmutter .....	Lock nut.....		
	15	1			1134-4807-02	Tank/batterihylla .....	Tank/battery shelf.....		
	16	4			9829-8830-12	Skruv.....	Screw.....		
	19	1			1134-0433-00	Ljuddämparpackning.....	Muffler gasket.....		
	22	4			1134-4930-01	Skruv.....	Screw.....		
	23	1			1134-6623-01	Ljuddämpare .....	Muffler .....		
	24	1			1134-6634-01	Grenrör.....	Exhaust pipe .....		
	25	2			9893-0616-16	Skruv.....	Screw.....		
	26	1			1134-6699-01	Värmskydd.....	Heat guard .....		
	27	4			9893-0616-16	Skruv.....	Screw.....		
	99	1			118550439/0	Motor kpl.....	Engine assy.....		GGP WM 12,5

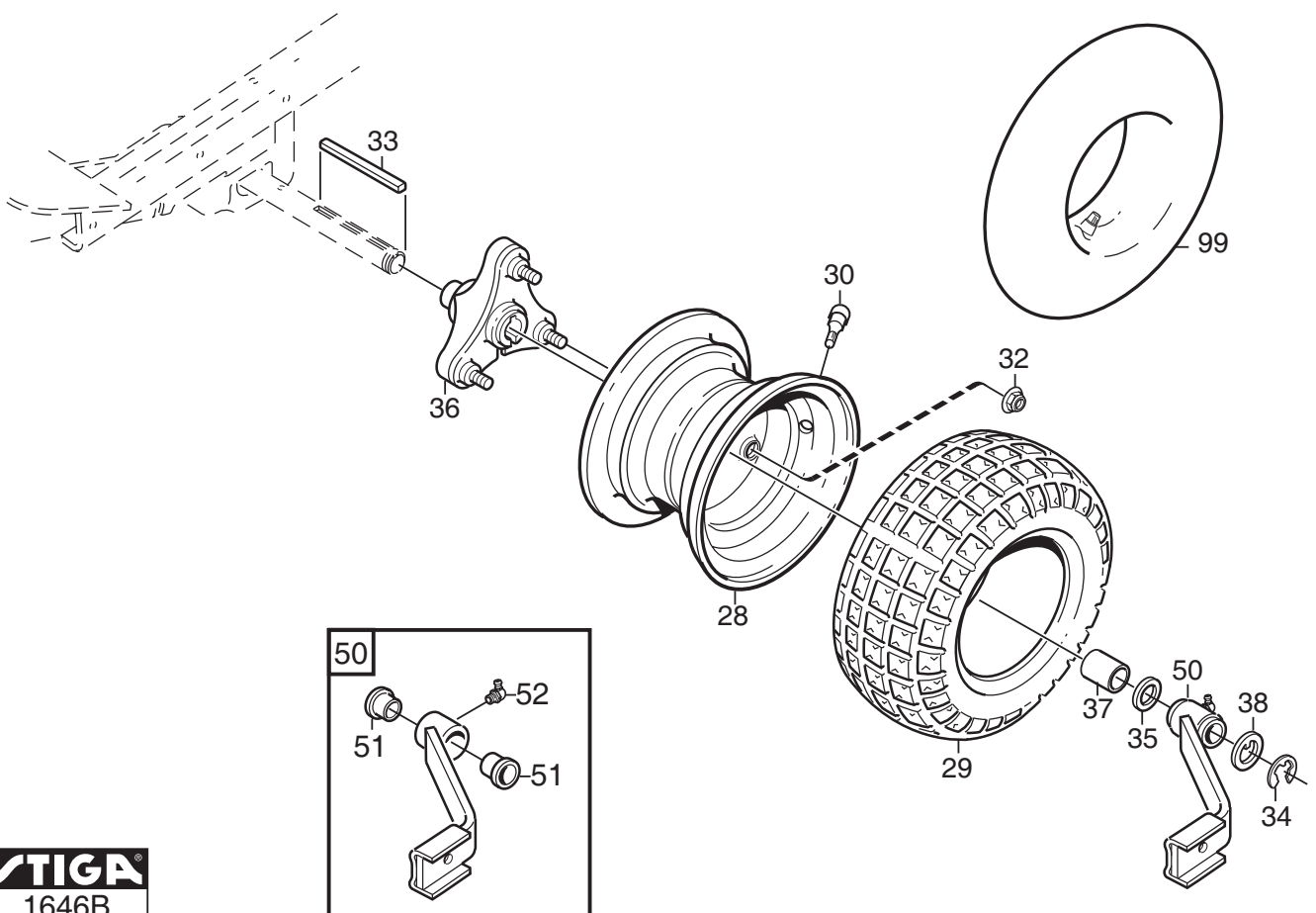
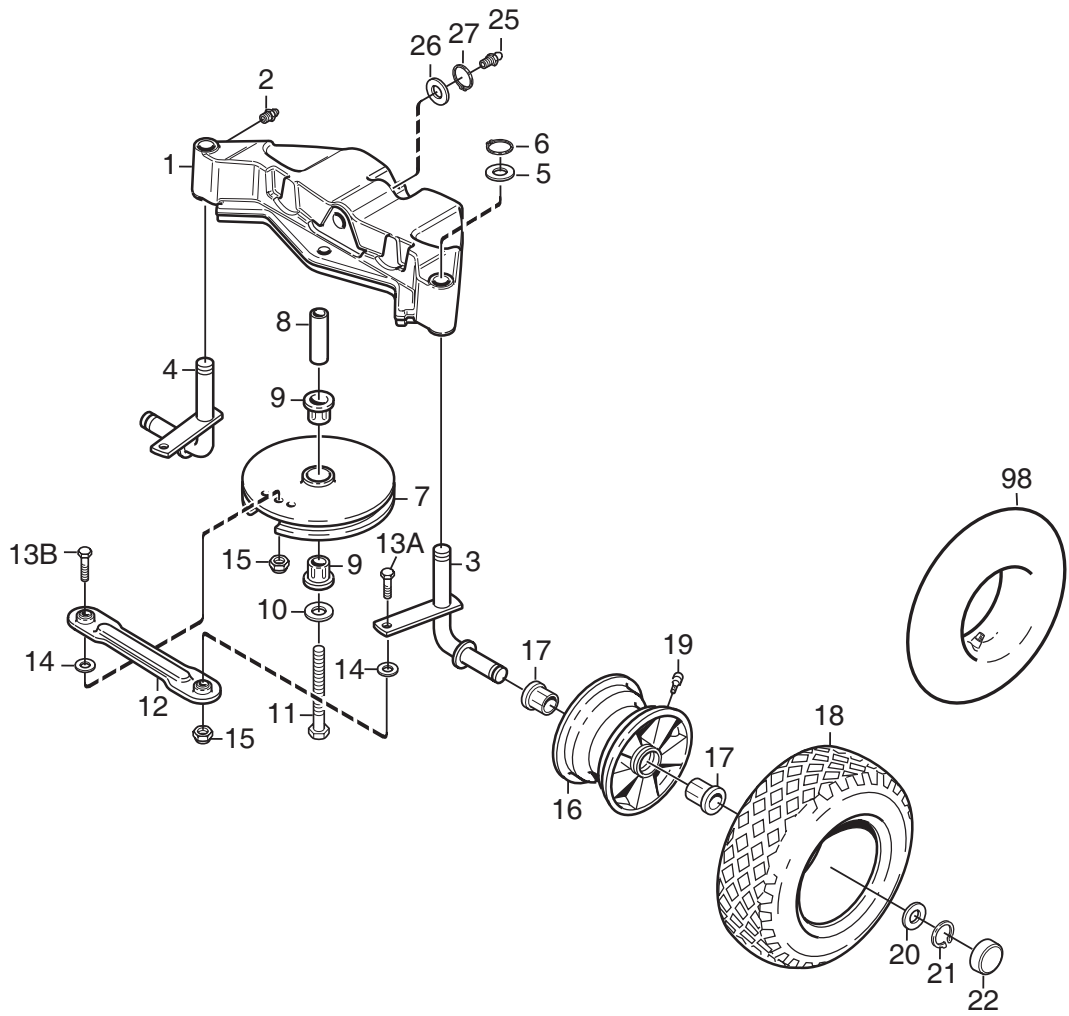


Utgåva Issue		Bildnr Picture No		READY- VILLA MOTOR (B&S)		READY- VILLA ENGINE (B&S)		Sida Page	
2010- 11		1651B						256	
Pos. Fig.	Antal/Quantity				Art nr Part No	Benämning	Description	Sats Kit	Anmärkning Notes
	2715								
X	1	1			9997-0840-16	Skruv.....	Screw.....		M8 x 40
	2	1			9747-0831-02	Mutter.....	Lock nut.....		
	3	3			9955-3725-16	Skruv.....	Screw.....		3/8" x 25
	5	1			1134-6626-01	Bränsletank.....	Fuel tank.....		
	6	1			1134-5532-01	Tanklock.....	Fuel tank cap.....		
	7	1			1134-3224-01	Bensinkran.....	Fuel shut-off valve.....		
	8	1			1134-3225-01	Gummibussning.....	Grommet.....		
	9	0,46			9505-0001-01	Bensinslang (meter).....	Fuel line (metre).....		Per meter
	10	2			9578-0023-02	Slangklämma.....	Hose clamp.....		
	12	1			1134-4808-01	Tankbygel.....	Tank clamp.....		
	13	1			9699-0060-02	Planbricka.....	Flat washer.....		
	14	1			9747-0631-02	Låsmutter.....	Lock nut.....		
	15	1			1134-4807-02	Tank/batterihylla.....	Tank/battery shelf.....		
	16	4			9829-8830-12	Skruv.....	Screw.....		
	19	1			1134-0433-00	Ljuddämparpackning.....	Muffler gasket.....		
	22	2			1134-4930-01	Skruv.....	Screw.....		
	23	1			1134-7781-01	Ljuddämpare.....	Muffler.....		
	25	2			9893-0616-16	Skruv.....	Screw.....		
	26	1			1134-6699-01	Värmskydd.....	Heat guard.....		
	27	4			9893-0616-16	Skruv.....	Screw.....		





Utgåva Issue		Bildnr Picture No		READY- VILLA TRANSMISSION	READY- VILLA TRANSMISSION	Sida Page			
2010- 11		1643B				258			
Pos. Fig.	Antal/Quantity				Art nr Part No	Benämning	Description	Sats Kit	Anmärkning Notes
	2715	2717	2725						
1	1				1134- 4611- 01	Motorremskiva .....	Engine belt pulley .....		
4	1				1134- 6637- 01	Remstyrning .....	Belt guide .....		
5	1				9699- 0056- 02	Planbricka .....	Flat washer .....		
6	1				1134- 4519- 01	Spännarm .....	Tension arm .....		
7	1				1134- 9091- 01	Spännrulle .....	Tension roller .....		
8	1				1134- 4614- 01	Ansats .....	Shoulder spacer .....		
9	1				9997- 1040- 16	Skruv .....	Screw .....		
10	1				9699- 0035- 02	Planbricka .....	Flat washer .....		
11	1				9739- 1031- 22	Mutter .....	Nut .....		
12	1				1134- 9027- 02	Spännrulle- grå .....	Tension roller- grey .....		
13	1				1134- 1795- 01	Rembygel .....	Belt stirrup .....		
14	1				9997- 1040- 16	Skruv .....	Screw .....		
15	2				9699- 0035- 02	Planbricka .....	Flat washer .....		
16	1				9739- 1031- 22	Mutter .....	Nut .....		
17	1				1134- 9065- 01	Drivrem .....	Drive belt .....	= 9585- 0124- 01	
18	1				1134- 1565- 08	Distans .....	Spacer .....		
19	1				9997- 0870- 16	Skruv .....	Screw .....		
20	2				9699- 0056- 02	Planbricka .....	Flat washer .....		
21	1				9739- 0831- 22	Mutter .....	Nut .....		
22	1				1134- 5214- 01	Fjäder .....	Spring .....		
23	1				1134- 6338- 01	Transaxel kpl. ....	Transaxle assy .....		Dana 6800- 7
24	4				9960- 0860- 12	Skruv .....	Screw .....		
25	4				9747- 0831- 02	Mutter .....	Lock nut .....		
26	1				1134- 4687- 01	Momentstag .....	Strut .....		
27	1				9945- 0816- 16	Skruv .....	Screw .....		
28	1				1134- 1849- 01	Remskiva .....	Belt pulley .....		
30	1				9650- 0016- 04	Spårring .....	Lock ring .....		
31	1				1134- 4707- 01	Remstyrning .....	Belt guide .....		
32	1				9942- 0820- 16	Skruv .....	Screw .....		
41	1				1134- 2138- 01	Skruvögla .....	Eye bolt .....		
42	1				1134- 4779- 01	Plastbussning .....	Plastic bushing .....		
43	1				9739- 0831- 22	Mutter .....	Nut .....		
44	1				9747- 0831- 02	Mutter .....	Lock nut .....		



Utgåva Issue		Bildnr Picture No		READY- VILLA HJUL		READY- VILLA WHEELS		Sida Page	
2010- 11		1646B						260	
Pos. Fig.	Antal/Quantity				Art nr Part No	Benämning	Description	Sats Kit	Anmärkning Notes
	2715	2717	2725						
X	1	1			1134- 6703- 01	Bakaxel .....	Rear axle .....		
	2	2			9501- 0500- 00	Smörjnippel .....	Grease joint .....		
	3	1			1134- 5009- 02	Spindel- vä .....	Spindle- LH .....		
	4	1			1134- 5009- 01	Spindel- hö .....	Spindle- RH .....		
	5	2			9699- 0088- 02	Planbricka .....	Flat washer .....		
	6	2			9650- 0020- 04	Spårring .....	Circlip .....		
	7	1			1137- 0090- 01	Styrskiva .....	Steering pulley .....		
	8	1			1134- 5575- 01	Distans .....	Spacer .....		
	9	1			1134- 9024- 01	Lager .....	Bearing .....	Sats 4 st/kit of 4	
	10	1			9699- 0104- 02	Bricka .....	Washer .....		
	11	1			9997- 1680- 12	Skruv .....	Screw .....		
	12	2			1134- 3247- 05	Styrstag .....	Tie rod .....		
	13A	2			9997- 0825- 16	Skruv .....	Screw .....	L = 25 mm	
	13B	1			9997- 0835- 12	Skruv .....	Screw .....	L = 35 mm	
	14	2			9699- 0090- 02	Planbricka .....	Flat washer .....		
	15	3			9747- 0831- 02	Mutter .....	Lock nut .....		
	16	2			1134- 4706- 01	Fälg .....	Rim .....		
	17	1			1134- 9026- 01	Lagerbussning .....	Bearing bush kit .....	Sats 4 st/kit of 4	
	18	2			9545- 0117- 00	Däck .....	Tyre .....	13 x 5.00 - 6	
	19	2			9545- 0500- 00	Ventil .....	Valve .....		
	20	2			1134- 0341- 01	Bricka .....	Washer .....		
	21	2			9650- 0020- 04	Spårring .....	Circlip .....		
	22	2			1134- 4344- 01	Navkapsel .....	Hub cap .....		
	25	1			9501- 0500- 00	Smörjnippel .....	Grease joint .....		
	26	1			9699- 0088- 02	Planbricka .....	Flat washer .....		
	27	1			9650- 0020- 04	Spårring .....	Circlip .....		
	28	2			1134- 5255- 01	Fälg .....	Rim .....		
	29	2			9545- 0126- 01	Däck .....	Tyre .....	16 x 6.00 - 8	
	30	2			9545- 0500- 00	Ventil .....	Valve .....		
	32	6			9731- 1031- 22	Mutter .....	Nut .....		
	33	2			1134- 2471- 03	Kil .....	Key .....		
	34	2			9653- 0001- 04	Spårryttare .....	Lock ring .....		
	35	2			1134- 0341- 01	Bricka .....	Washer .....		
36	2			1134- 4844- 02	Hjulnav .....	Wheel hub .....			
37	2			1134- 4845- 02	Navhylsa .....	Hub sleeve .....			
38	2			1134- 4981- 01	Bricka .....	Washer .....			
50	2			1134- 6274- 01	Redskapsfäste kpl. ....	Attachment assy .....			
51	1			1134- 9026- 01	• Lagerbussning .....	• Bearing bush kit .....	Sats 4 st/kit of 4		
52	1			9501- 0502- 00	• Smörjnippel .....	• Grease joint .....			
98				9545- 0204- 00	Innerslang .....	Inner tube .....	Reservdel/spare part		
99				9545- 0203- 00	Innerslang .....	Inner tube .....	Reservdel/spare part		

