

Genuine Spare Parts

www.stiga.com

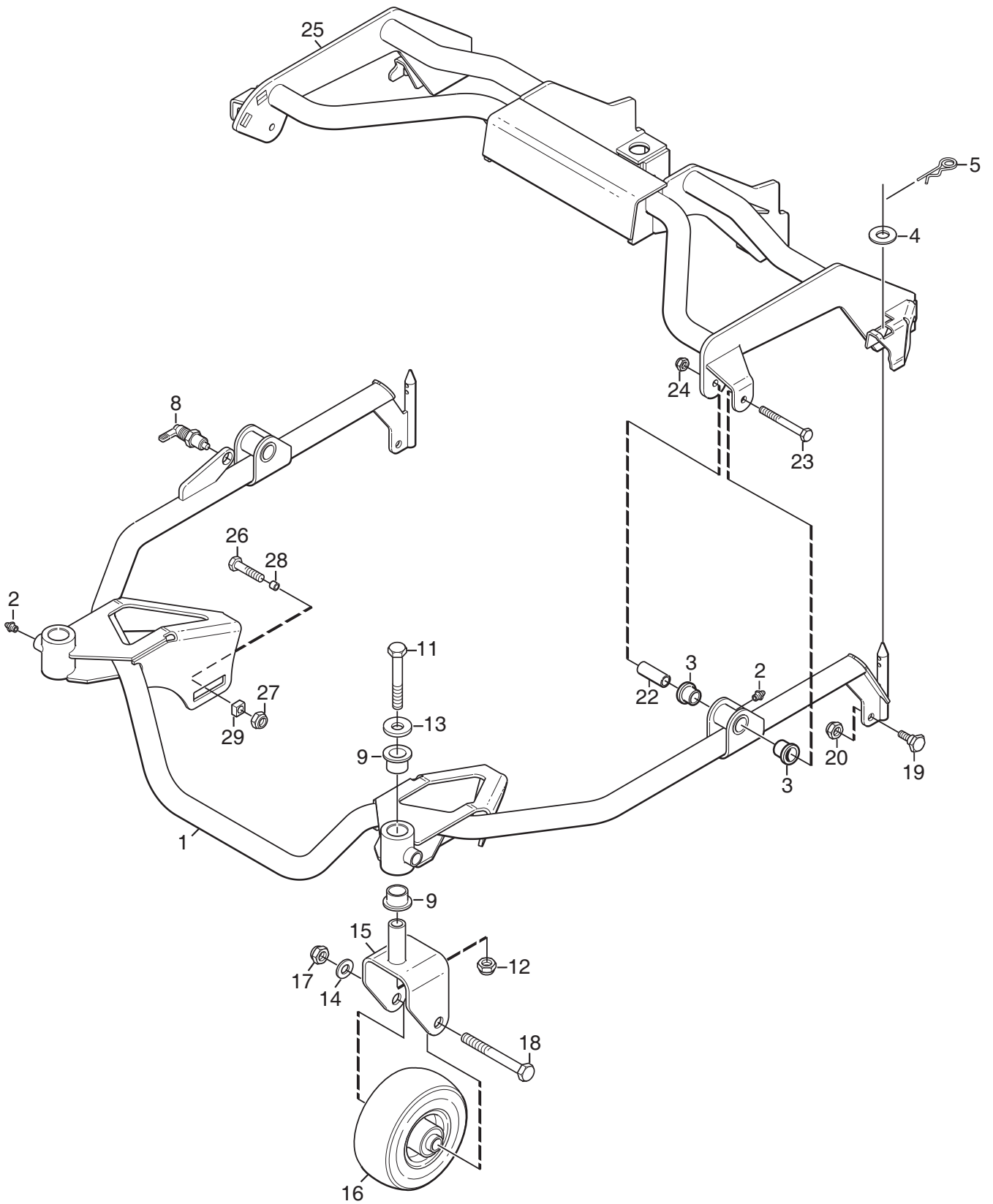
TITAN - Mower Decks Model Year 2010

- Use GLOBAL GARDEN PRODUCT Genuine Spare Parts specified in the parts list for repair and/or replacement.
- The contents described in the parts list may change due to improvement.
- The drawings of the spare parts are only indicative and might not represent the part in question exactly.
- The indications "right" - "left" - "front" - "rear" refer to the position of the operator when using the machine.
- When placing orders of parts for repair and/or replacement, make sure that the illustrated parts list is the one applying to the machine's year of manufacture, as shown on the identification plate attached to the machine.

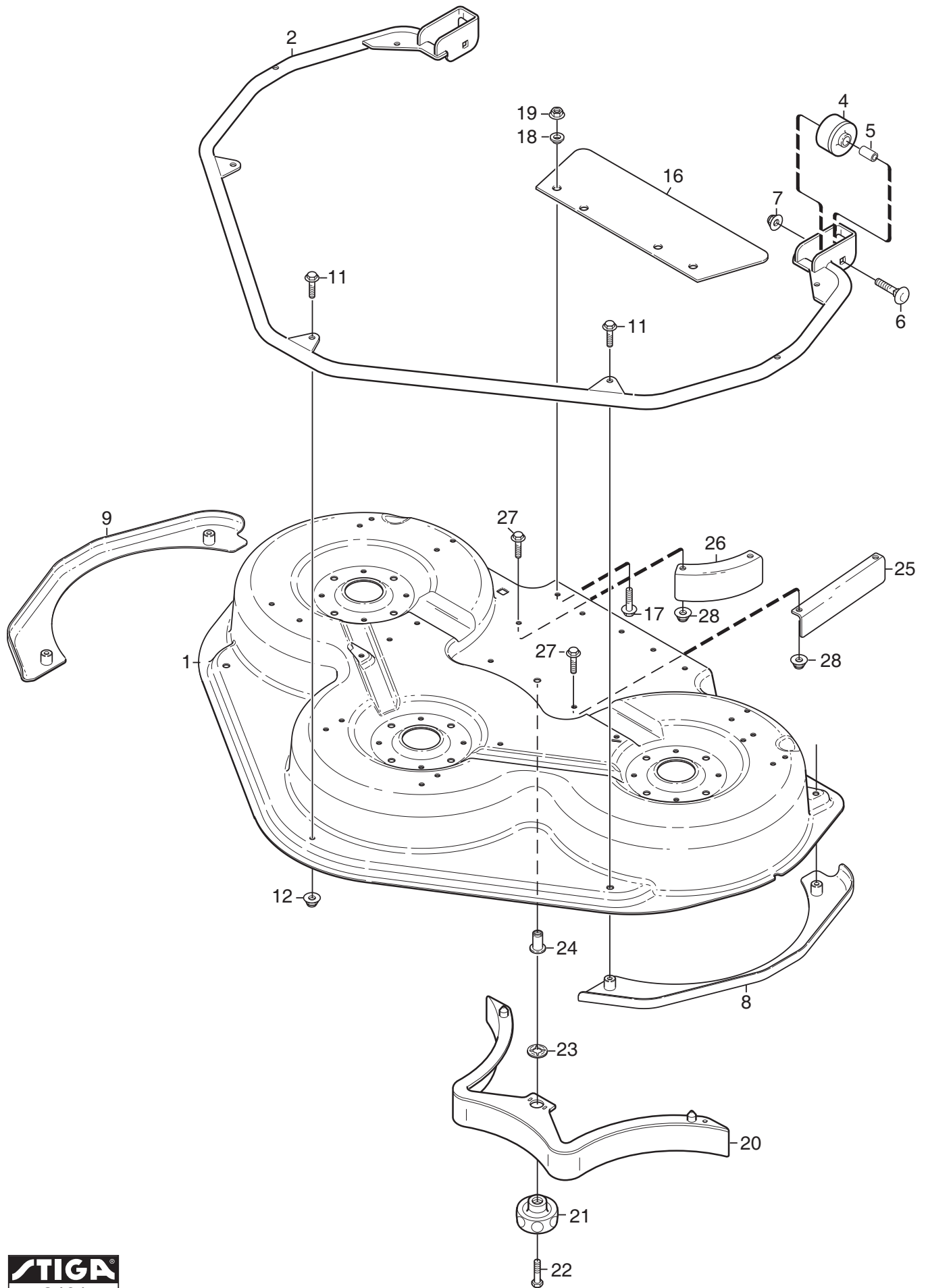
COPYRIGHT by GLOBAL GARDEN PRODUCTS

All rights reserved. No part of this material may be reproduced or transmitted, in any form or by any means, electronic or mechanical, including photocopying, recording or by any information storage and retrieval system, without permission in writing from GLOBAL GARDEN PRODUCTS.

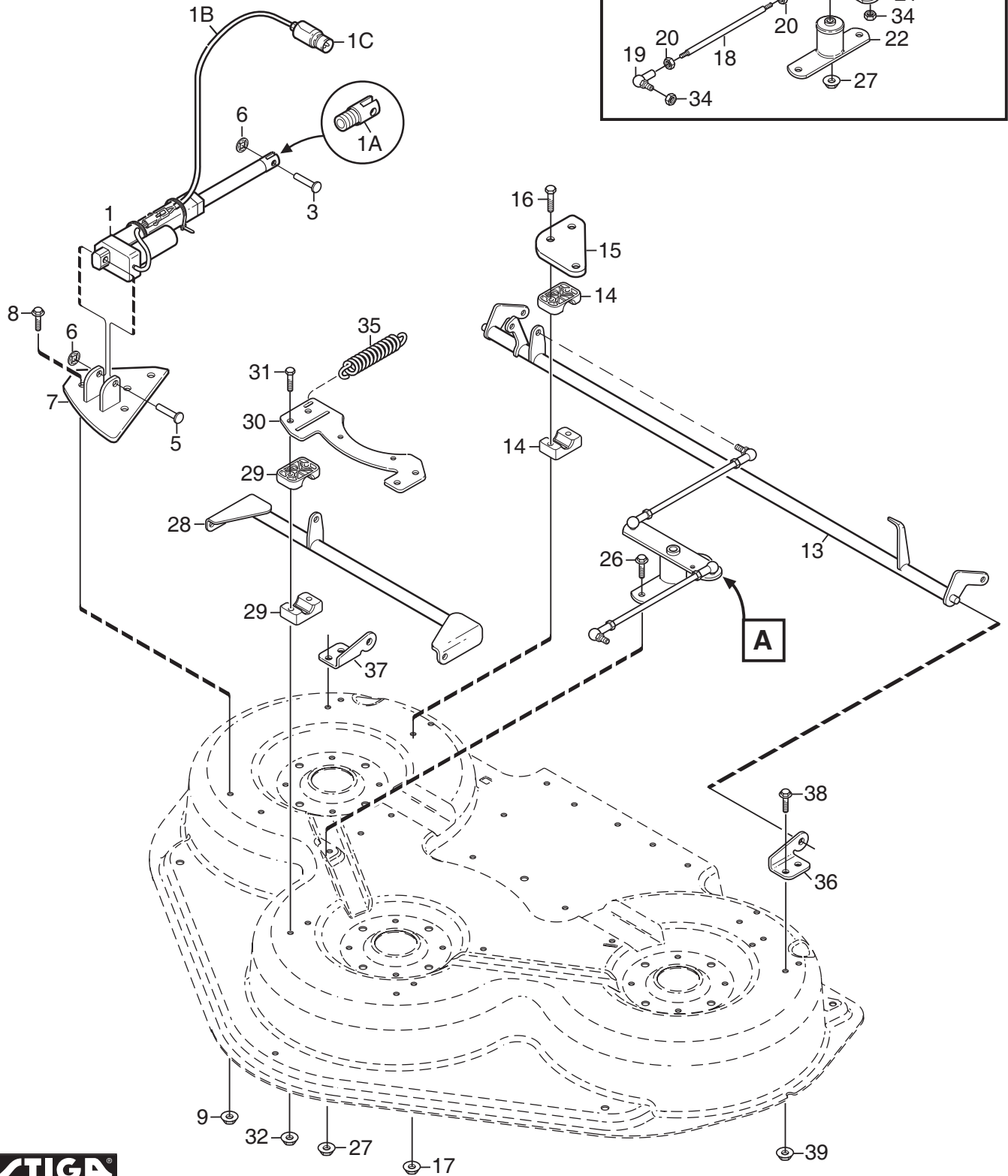




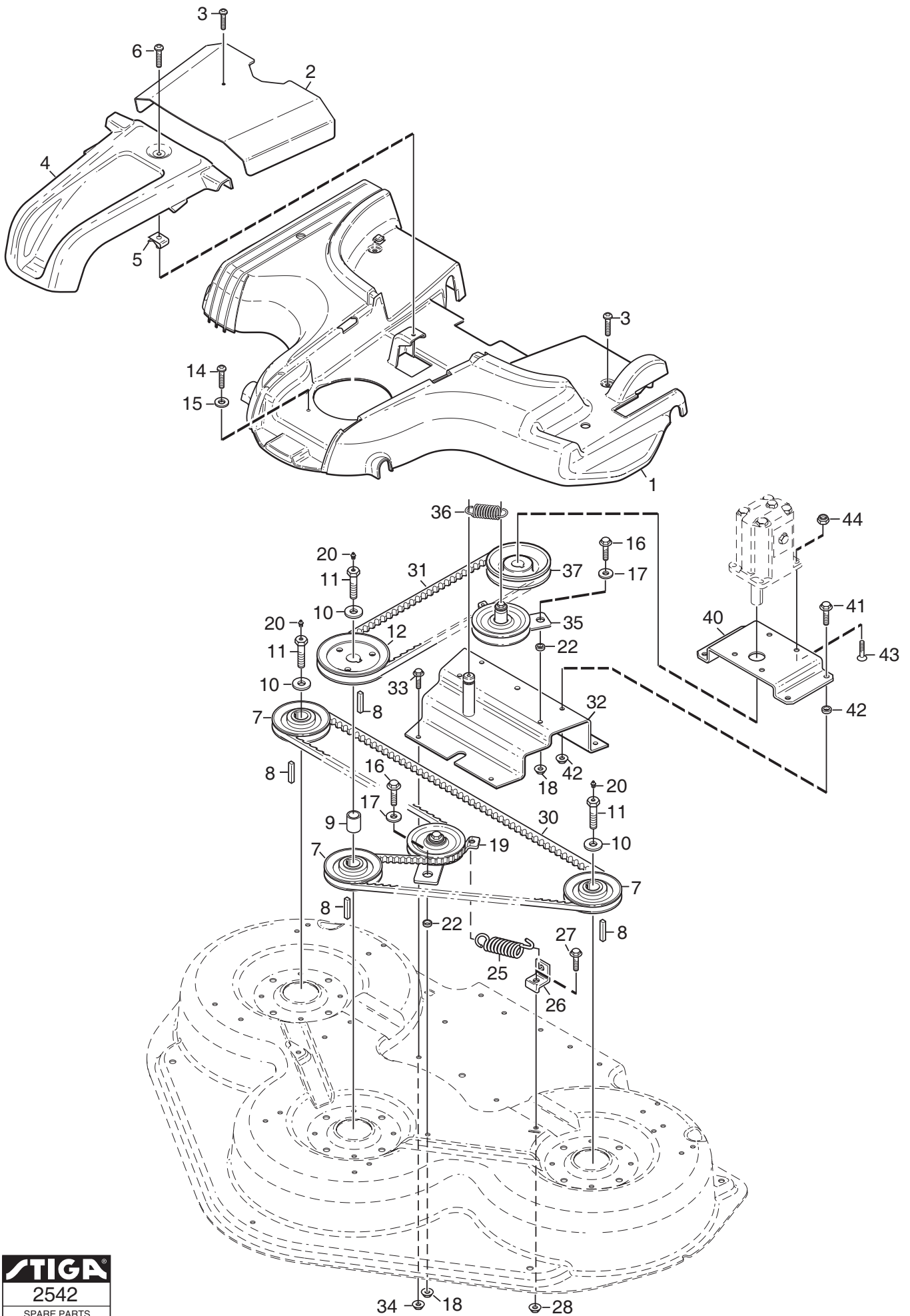
Utgåva Issue 2010-16		Bildnr Picture No 2400		TITAN KLIPPAGGREGAT 125H RAM			MOWER DECK 125H FRAME		Sida Page 58	
Pos. Fig.	Antal/Quantity				Art nr Part No	Benämning	Description	Sats Kit	Anmärkning Notes	
1	1				1134-7577-01	Ram.....	Frame.....			
2	4				9501-0500-00	Smörjnippel.....	Grease joint.....			
3	4				9544-0002-01	Glidlager.....	Bearing.....			
4	2				9699-0123-02	Bricka.....	Washer.....			
5	2				9598-2001-02	Låsnål.....	Spring pin.....			
8	1				1134-7330-01	Spärrbult.....	Catch bolt.....			
9	4				1134-5686-01	Lagerbussning.....	Bearing bush.....			
11	2				9997-1211-02	Skruv.....	Screw.....			
12	2				9747-1231-02	Låsmutter.....	Lock nut.....			
13	2				1134-7410-01	Bricka.....	Washer.....			
15	2				1134-7477-01	Hjulbygel.....	Wheel fork.....			
16	2				1135-3394-01	Hjul.....	Wheel.....			
17	2				9747-1631-02	Låsmutter.....	Lock nut.....			
18	2				9997-1616-02	Skruv.....	Screw.....			
19	2				1134-0240-01	Ansatsskruv.....	Shoulder screw.....			
20	2				9747-0831-02	Mutter.....	Lock nut.....			
22	2				1134-7617-01	Distans.....	Spacer.....			
23	2				9997-1080-12	Skruv.....	Screw.....			
24	2				9747-1031-02	Låsmutter.....	Lock nut.....			
25	1				1134-7805-01	Lyftram.....	Lift frame.....			
26	2				9997-0825-16	Skruv.....	Screw.....			
27	2				9747-0831-02	Mutter.....	Lock nut.....			
28	2				1134-5626-01	Distans.....	Spacer.....			
29	2				1134-7595-01	Distans.....	Spacer.....			



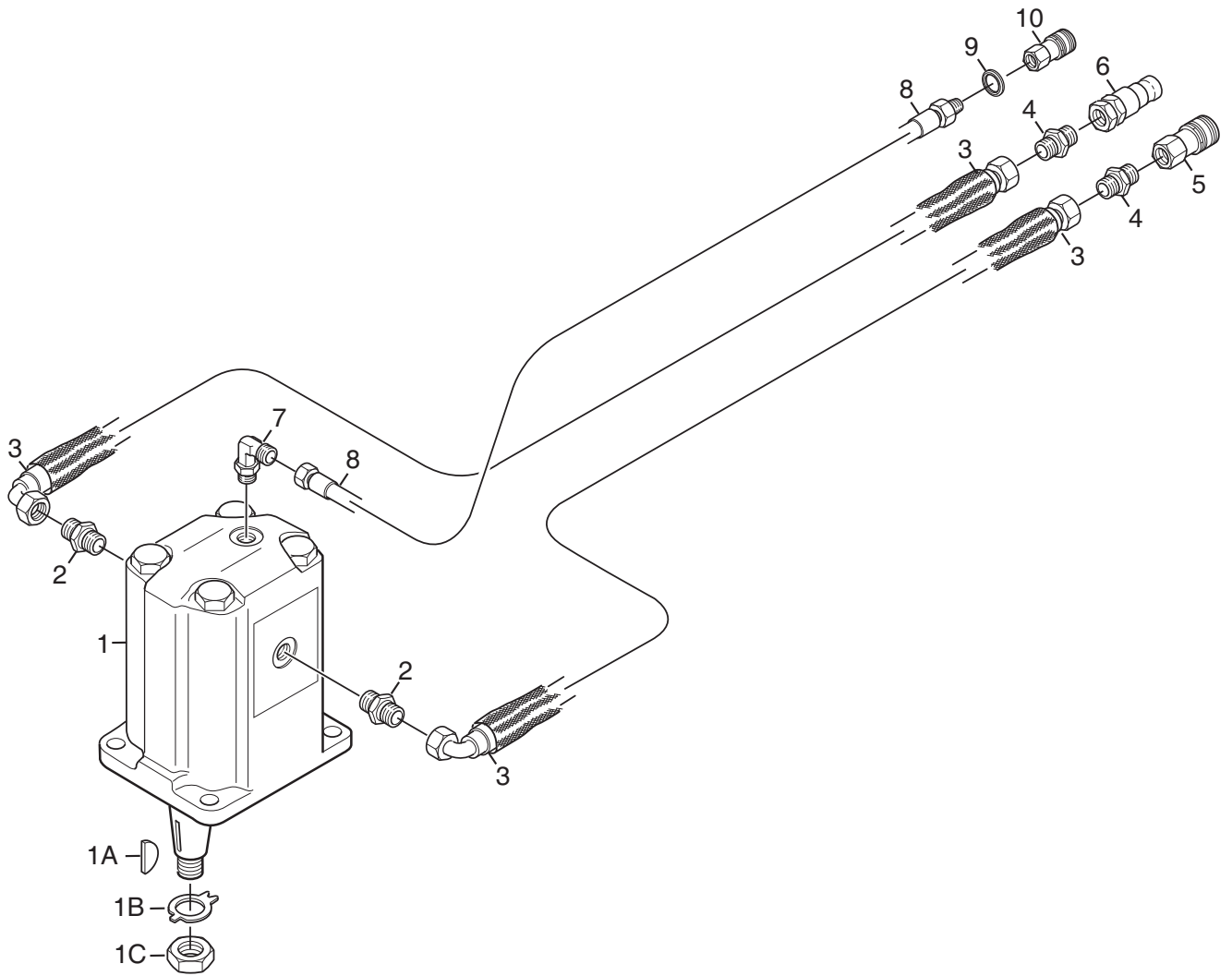
Utgåva Issue 2010-16		Bildnr Picture No 2401		TITAN KLIPPAGGREGAT 125H KÅPA			MOWER DECK 125H CASING		Sida Page 60
Pos. Fig.	Antal/Quantity				Art nr Part No	Benämning	Description	Sats Kit	Anmärkning Notes
1	1				1134-7750-01	Kåpa	Casing		Pos 24 incl.
2	1				1134-6110-03	Ram-grå.....	Frame- grey		
4	2				1134-3434-01	Rulle	Roller		
5	2				1134-0041-04	Hylsa	Bushing.....		
6	2				9897-1060-12	Skruv	Screw		
7	2				9739-1031-22	Mutter.....	Nut		
8	1				1134-7520-01	Slitskydd- vä	Wear protection- LH		
9	1				1134-7520-02	Slitskydd- hö.....	Wear protection- RH.....		
11	5				9959-0816-16	Skruv	Screw		
12	1				9739-0831-22	Mutter.....	Nut		
16	1				1134-5885-01	Gummiskydd	Rubber flap		
17	2				9959-0816-16	Skruv	Screw		
18	4				1134-4185-01	Ansatsbricka.....	Flange washer		
19	2				9739-0831-22	Mutter.....	Nut		
20	1				1134-5409-02	Mulcherplugg (svart).....	Mulch plug (black)		
21	1				1117-3194-01	Låsraff	Locking knob		
22	1				9997-0840-16	Skruv	Screw		
23	1				9675-0012-02	Starlock	Locking washer		
24	1				1134-5595-01	.NitmutterRiveting nut.....		
25	1				1134-5553-02	Ledskena- rak (svart).....	Guide plate- straight		
26	1				1134-5554-02	Ledskena- böjd (svart).....	Guide plate- curved		
27	4				9959-0816-16	Skruv	Screw		
28	4				9739-0831-22	Mutter.....	Nut		



Utgåva Issue 2010- 16		Bildnr Picture No 2402		TITAN KLIPPAGGREGAT 125H REGLAGE			MOWER DECK 125H CONTROLS		Sida Page 62	
Pos. Fig.	Antal/Quantity				Art nr Part No	Benämning	Description	Sats Kit	Anmärkning Notes	
1	1				1134- 6416- 01	Ställdon	Actuator		L = 810 mm	
1A	1				1134- 6373- 01	.KolvstångsändaRod end			
1B	1				1134- 6418- 03	.KabelCable			
1C	1				1134- 6182- 01	.HankontaktMale terminal			
3	1				9646- 0098- 22	Nit.....	Rivet.....			
5	1				9646- 0105- 22	Nit.....	Rivet.....			
6	2				9675- 0012- 02	Starlock	Locking washer.....			
7	1				1134- 5981- 01	Fäste	Bracket.....			
8	2				9959- 0816- 16	Skruv	Screw.....			
9	2				9739- 0831- 22	Mutter.....	Nut			
13	1				1134- 7603- 01	Bakaxel	Rear axle			
14	4				1134- 5469- 01	Lagerhalva	Bearing half			
15	2				1134- 5471- 01	Överfall- bakre	Bearing plate- rear			
16	4				9997- 0845- 12	Skruv	Screw			
17	4				9739- 0831- 22	Mutter.....	Nut			
18	2				1134- 5473- 01	Tryckstång.....	Push rod			
19	4				9570- 0002- 00	Vinkellänk	Elbow link			
20	4				9739- 0831- 22	Mutter.....	Nut			
21	1				1134- 5855- 01	Länkarm	Pivot arm			
22	1				1134- 5858- 01	Pivotfäste.....	Pivot shaft.....			
23	1				9997- 0880- 16	Skruv	Screw			
24	1				1134- 5127- 01	Bricka	Washer.....			
26	2				9959- 0816- 16	Skruv	Screw.....			
27	3				9739- 0831- 22	Mutter.....	Nut			
28	1				1134- 5427- 01	Framaxel.....	Front axle			
29	4				1134- 5469- 01	Lagerhalva.....	Bearing half			
30	1				1134- 5846- 01	Överfall- främre.....	Bearing plate- front			
31	4				9997- 0845- 12	Skruv	Screw.....			
32	4				9739- 0831- 22	Mutter.....	Nut			
34	4				9747- 0831- 02	Mutter.....	Lock nut.....			
35	1				1134- 5847- 01	Fjäder.....	Spring			
36	1				1134- 7490- 01	Fäste- vä	Bracket- LH			
37	1				1134- 7490- 02	Fäste- hö	Bracket- RH			
38	4				9959- 0820- 16	Skruv	Screw.....			
39	4				9739- 0831- 22	Mutter.....	Nut			

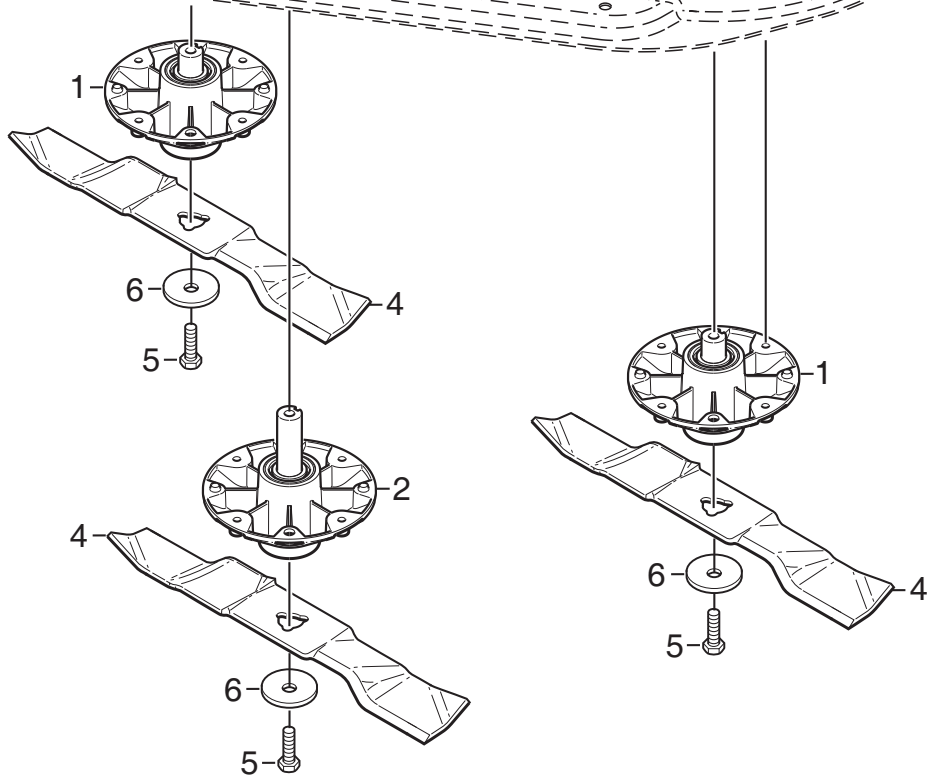
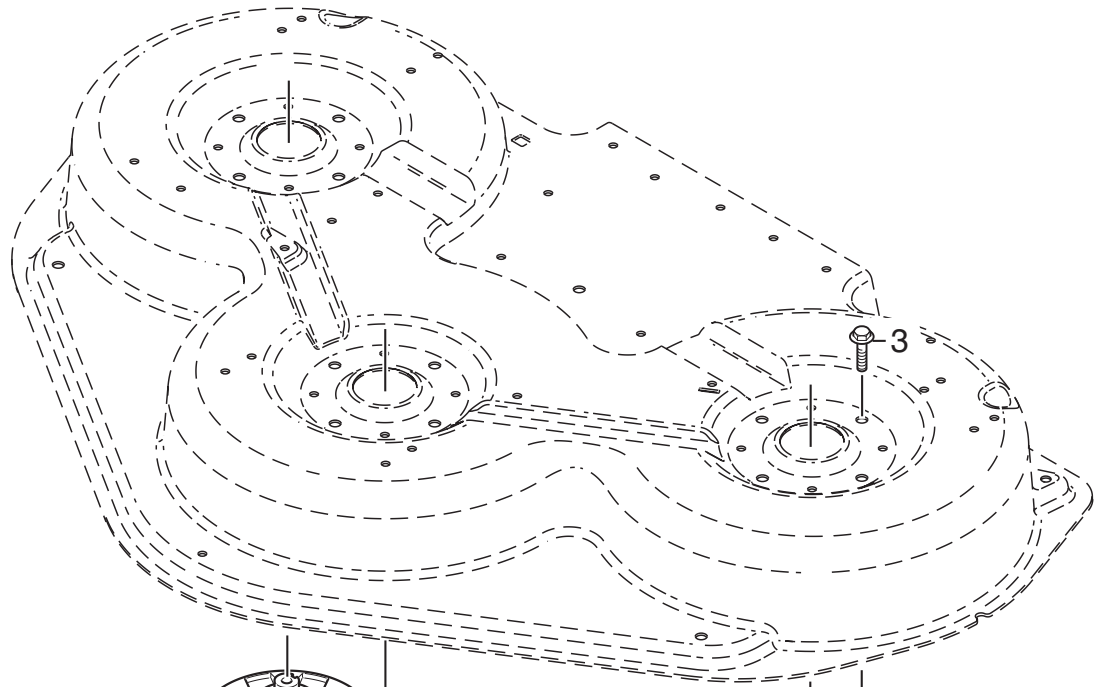


Utgåva Issue		Bildnr Picture No		TITAN KLIPPAGGREGAT 125H TRANSMISSION		MOWER DECK 125H TRANSMISSION		Sida Page	
2010- 16		2542						64	
Pos. Fig.	Antal/Quantity				Art nr Part No	Benämning	Description	Sats Kit	Anmärkning Notes
1	1				1134- 7596- 01	Transmissionskåpa	Transmission cover		
2	1				1134- 7870- 01	Transmissionskåpa	Transmission cover		
3	3				9893- 0616- 16	Skruv	Screw		
4	1				1134- 5987- 01	Täckkåpa	Cover		
5	1				1134- 4176- 01	Clips	Clips		
6	1				9893- 0616- 16	Skruv	Screw		
7	3				1134- 5404- 01	Remskiva	Belt pulley		
8	4				9600- 0171- 01	Plattkil	Flat key		6 x 6 x 25 mm
9	1				1134- 5400- 03	Distans	Spacer		L = 20 mm
10	3				1134- 5406- 01	Bricka	Washer		
11	3				1134- 7517- 01	Skruv	Screw		
12	1				1134- 7813- 01	Remskiva	Belt pulley		Ø = 150 mm
14	2				9893- 0616- 16	Skruv	Screw		
15	1				9699- 0060- 02	Planbricka	Flat washer		
16	2				9959- 0816- 16	Skruv	Screw		
17	2				9699- 0109- 02	Planbricka	Flat washer		
18	2				9739- 0831- 22	Mutter	Nut		
19	1				1134- 7611- 01	Spännrulle kpl.	Tension roller assy		
20	3				9501- 0500- 00	Smörjnippel	Grease joint		
22	2				1134- 7618- 01	Distans	Spacer		
25	1				1134- 0327- 00	Kåpfjäder	Spring		
26	1				1134- 5415- 01	Fjäderfäste	Spring attachment		
27	1				9959- 0816- 16	Skruv	Screw		
28	1				9739- 0831- 22	Mutter	Nut		
30	1				1134- 9087- 01	Kilrem	V- belt		9585- 0142- 01
31	1				9585- 0186- 01	Kilrem	V- belt		
32	1				1134- 7868- 01	Hylla	Transm. plate		
33	1				9959- 0820- 16	Skruv	Screw		
34	1				9739- 0831- 22	Mutter	Nut		
35	1				1134- 7610- 01	Spännrulle kpl.	Tension roller assy		
36	1				1134- 7619- 01	Fjäder	Spring		
37	1				1134- 7871- 01	Remskiva	Pulley		
39	1				9585- 0187- 01	Kilrem	V- belt		
40	1				1134- 7869- 01	Motorfäste	Motor bracket		
41	4				9945- 0825- 16	Skruv	Screw		
42	1				1134- 7618- 01	Distans	Spacer		
43	4				9924- 0830- 16	Skruv	Screw		
44	4				9747- 0831- 02	Mutter	Nut		
45	1				1134- 7518- 01	Plastplugg	Plastic plug		



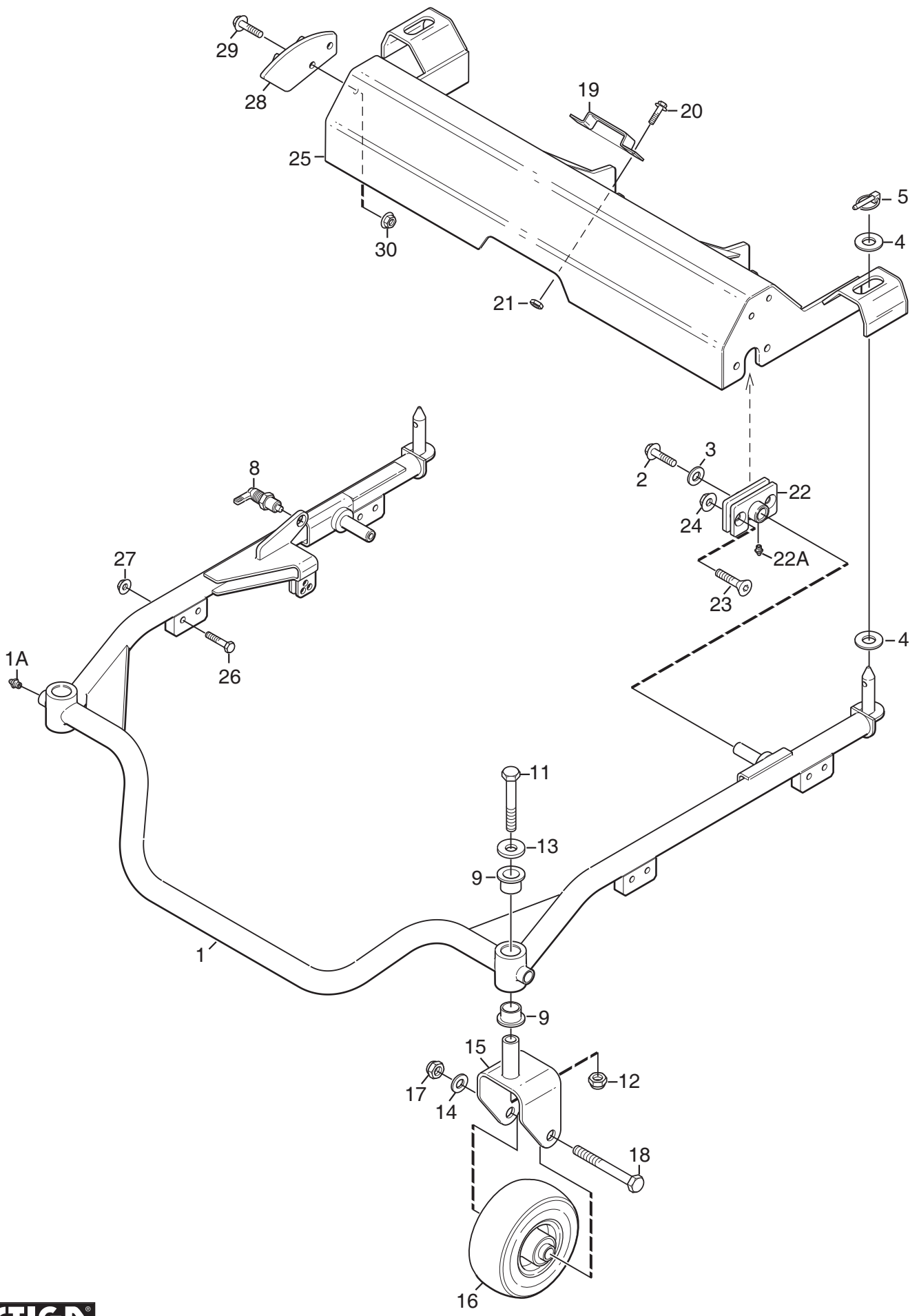


Utgåva Issue		Bildnr Picture No		TITAN KLIPPAGGREGAT 125H MOTORHYDRAULIK		MOWER DECK 125H MOTOR HYDRAULIC		Sida Page 66	
Pos. Fig.	Antal/Quantity				Art nr Part No	Benämning	Description	Sats Kit	Anmärkning Notes
1	1				1134-7329-01	Hydraulmotor	Hydraulic motor		
1A	1				1139-0009-01	.Kil	Key		
1B	1				1139-0007-01	.BrickaWasher		
1C	1				1139-0008-01	.MutterNut		
2	2				1134-7315-01	Adapter	Hydraulic connector		
3	2				1134-7630-01	Hydraulslang 1/2"	Hydraulic tube 1/2"		
4	2				1134-7161-01	Adapter	Hydraulic connector		
5	1				1134-7182-01	Snabbkoppling- hona	Quick coupling- female		
6	1				1134-7181-01	Snabbkoppling- hane	Quick coupling- male		
7	1				1134-5806-01	Vinkeladapter	Angle coupling		
8	1				1134-7294-01	Hydraulslang 1/4"	Hydraulic tube 1/4"		
9	1				1134-4948-01	Tredobricka	Seal washer		
10	1				1134-7172-01	Snabbkoppling- hona	Quick coupling- female		

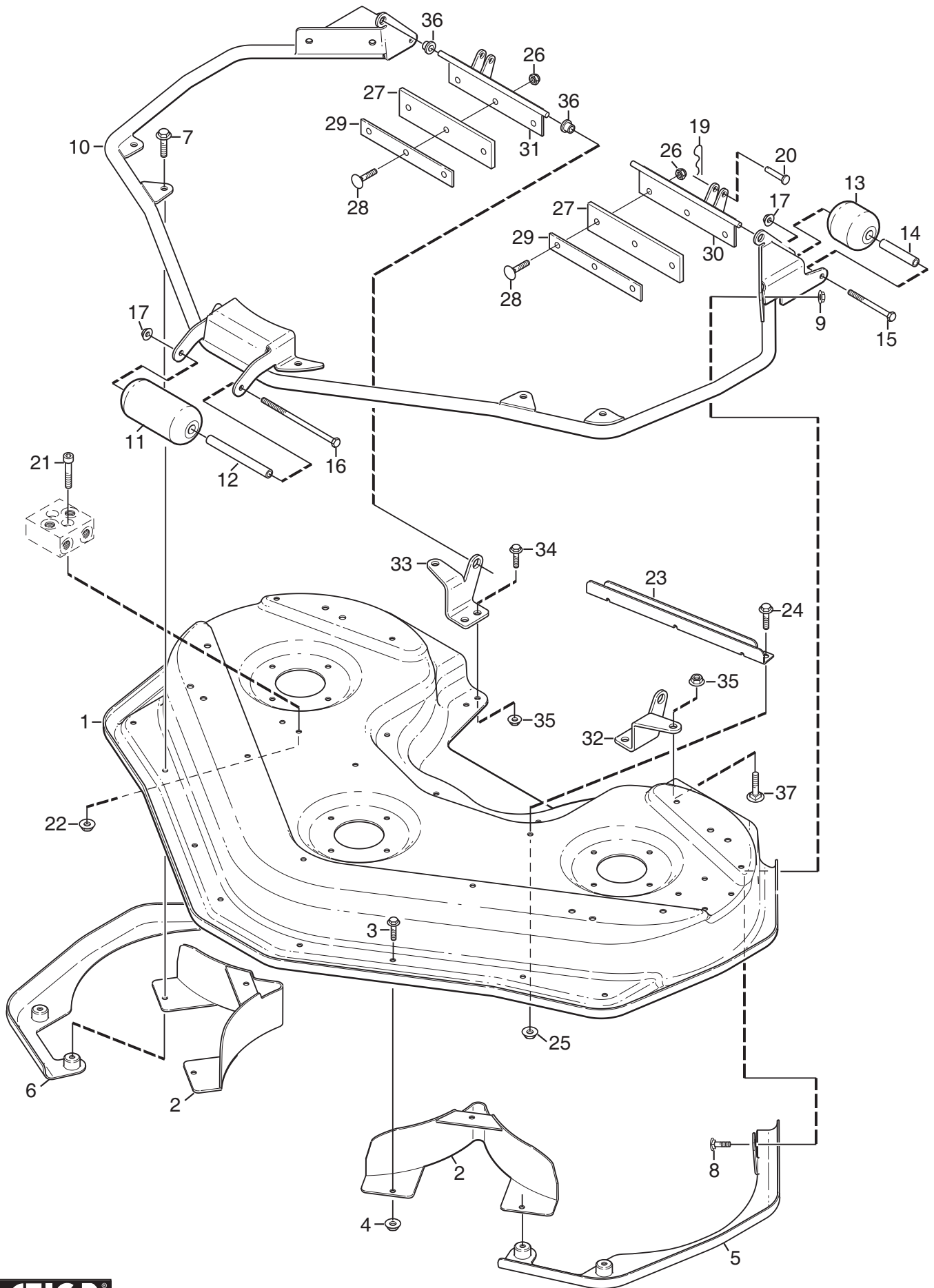




Utgåva Issue		Bildnr Picture No		TITAN KLIPPAGGREGAT 125H KNIVAR			MOWER DECK 125H BLADES		Sida Page 68	
Pos. Fig.	Antal/Quantity				Art nr Part No	Benämning	Description	Sats Kit	Anmärkning Notes	
1	2				1134-7513-01	Lagerbox kpl.....	Bearing box assy.....		Kit of 3/sats 3 st	
2	1				1134-7513-02	Lagerbox kpl.....	Bearing box assy.....			
3	12				9945-0825-16	Skruv.....	Screw.....			
4	1				1134-9125-01	Knivsats.....	Blade kit.....			
5	3				9997-1060-12	Skruv.....	Screw.....			
6	3				1134-6211-01	Knivbricka.....	Blade washer.....			



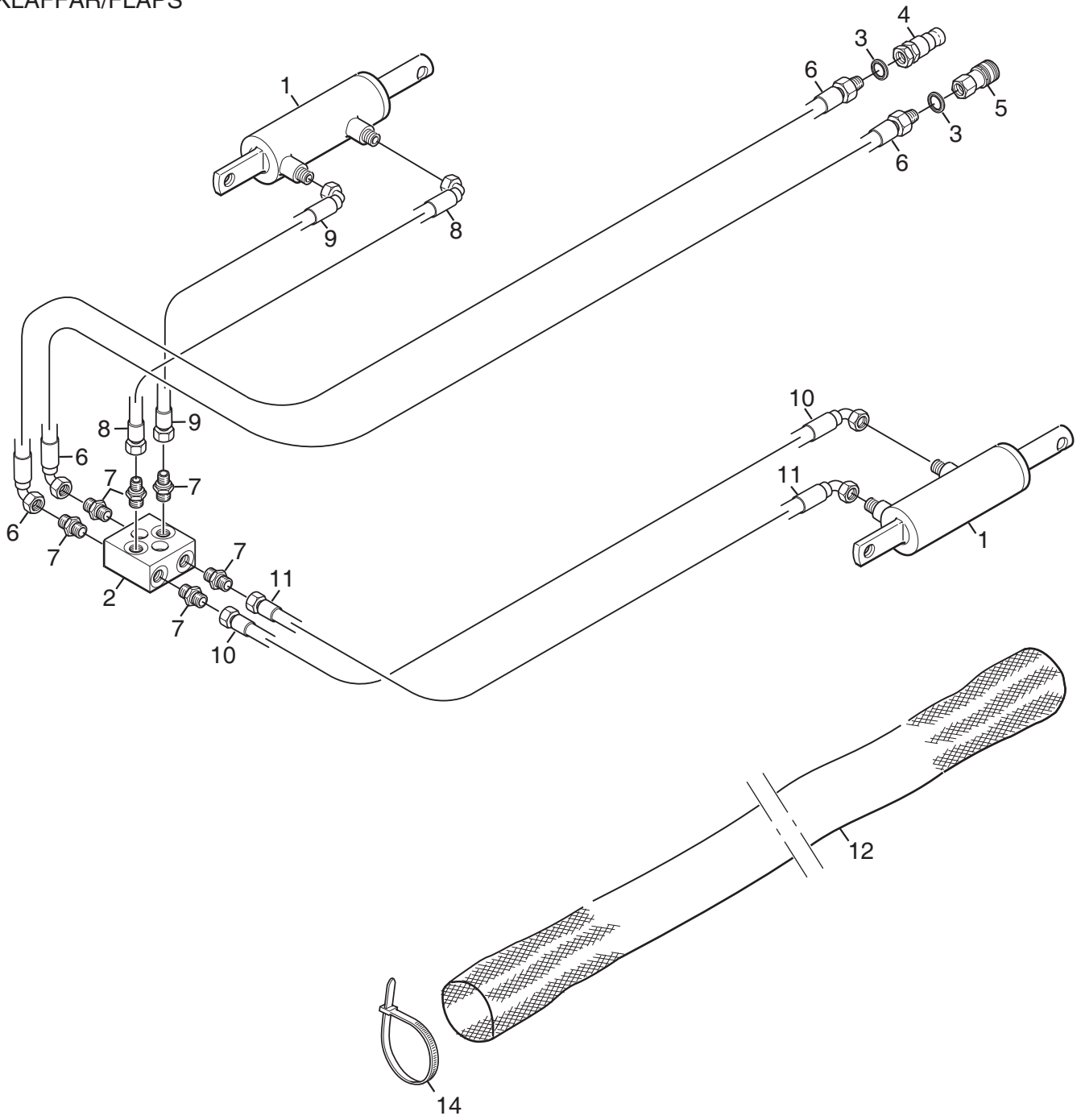
Utgåva Issue		Bildnr Picture No		TITAN KLIPPAGGREGAT 135H RAM			MOWER DECK 135H FRAME		Sida Page 70	
Pos. Fig.	Antal/Quantity				Art nr Part No	Benämning	Description	Sats Kit	Anmärkning Notes	
1	1				1134-7840-01	Ram.....	Frame.....			
1A	2				9501-0500-00	.Smörjnippel.....	.Grease joint.....			
2	2				9959-1025-16	Skruv.....	Screw.....			
3	2				1134-5406-01	Bricka.....	Washer.....			
4	10				1134-7411-01	Bricka.....	Washer.....			
5	2				1134-7345-01	Låssprint.....	Locking pin.....			
8	1				1134-7330-01	Spärrbult.....	Catch bolt.....			
9	4				1134-5686-01	Lagerbussning.....	Bearing bush.....			
11	2				9997-1211-02	Skruv.....	Screw.....			
12	2				9747-1231-02	Låsmutter.....	Lock nut.....			
13	2				1134-7410-01	Bricka.....	Washer.....			
14	2				9699-0104-02	Bricka.....	Washer.....			
15	2				1134-7477-01	Hjulbygel.....	Wheel fork.....			
16	2				1135-3394-01	Hjul.....	Wheel.....			
17	2				9747-1631-02	Låsmutter.....	Lock nut.....			
18	2				9997-1616-02	Skruv.....	Screw.....			
19	1				1134-7333-01	Bygel.....	Clamp.....			
20	2				9959-1025-16	Skruv.....	Screw.....			
21	2				9739-1031-22	Mutter.....	Nut.....			
22	2				1134-7002-01	Fäste.....	Support.....			
22A	1				9501-0500-00	.Smörjnippel.....	.Grease joint.....			
23	4				9924-1240-16	Skruv.....	Screw.....			
24	4				9739-1241-22	Mutter.....	Nut.....			
25	1				1134-7804-01	Lyftram.....	Lift frame.....			
26	8				9997-1045-12	Skruv.....	Screw.....			
27	8				9747-1031-02	Låsmutter.....	Lock nut.....			
28	1				1134-7435-01	Spärrplatta.....	Catch.....			
29	2				9959-1025-16	Skruv.....	Screw.....			
30	2				9739-1031-22	Mutter.....	Nut.....			
99	1				1135-3156-02	Dekalsats.....	Label kit.....		135H	



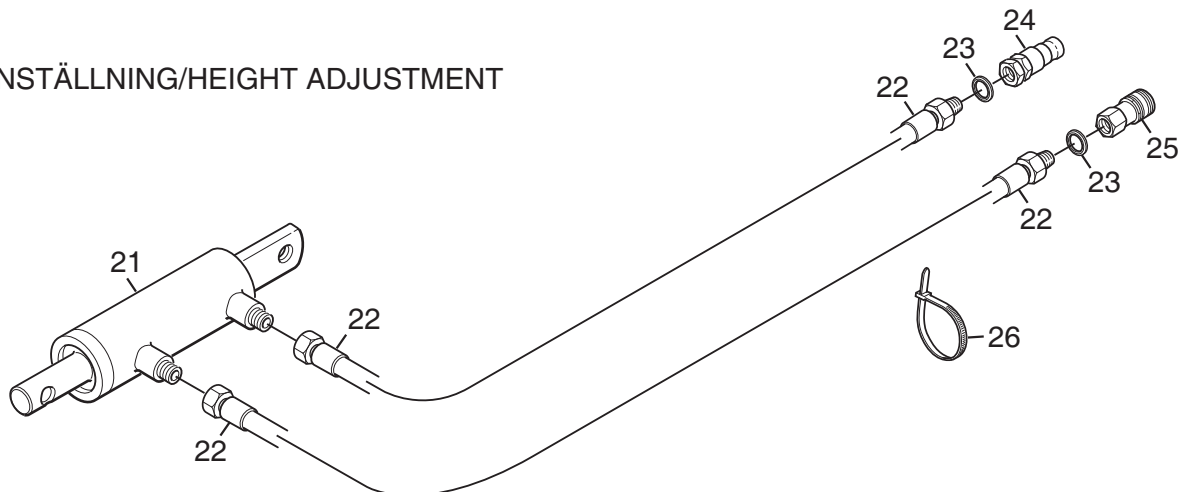


Utgåva Issue		Bildnr Picture No		TITAN KLIPPAGGREGAT 135H KÅPA		MOWER DECK 135H CASING		Sida Page 72	
Pos. Fig.	Antal/Quantity				Art nr Part No	Benämning	Description	Sats Kit	Anmärkning Notes
1	1				1134-6737-01	Kåpa	Mower deck casing		Not ill./ej ill.
1A	7				1134-5595-01	.NitmutterRiveting nut.....		
2	2				1134-7046-01	Ledskena	Guide plate.....		
3	4				9959-1020-16	Skruv.....	Screw.....		
4	4				9739-1031-22	Mutter.....	Nut.....		
5	1				1134-6820-01	Slitskydd- vä	Wear protection- LH.....		
6	1				1134-6820-02	Slitskydd- hö.....	Wear protection- RH.....		
7	4				9959-1025-16	Skruv.....	Screw.....		
8	2				9898-1025-16	Skruv.....	Screw.....		
9	2				9739-1031-22	Mutter.....	Nut.....		
10	1				1134-6951-01	Skyddsram	Protection frame		
11	1				1134-7341-01	Rulle	Roller		
12	1				1134-0041-09	Hylsa	Collar		
13	2				1134-7341-02	Rulle	Roller		
14	2				1134-0041-08	Hylsa	Collar		
15	2				9898-1011-02	Skruv.....	Screw.....		
16	1				9997-1019-02	Skruv.....	Screw.....		
17	3				9739-1031-22	Mutter.....	Nut.....		
19	4				9598-0002-02	Låsnål	Pin lock.....		
20	2				1134-7400-01	Sprint.....	Pin		
21	2				9939-0835-16	Skruv.....	Screw.....		
22	2				9739-0831-22	Mutter.....	Nut.....		
23	1				1134-7334-01	Styrplåt.....	Guide plate.....		
24	2				9959-1020-16	Skruv.....	Screw.....		
25	2				9739-1031-22	Mutter.....	Nut.....		
26	6				9747-0831-02	Mutter.....	Lock nut.....		
27	2				1134-7256-01	Gummiskydd	Rubber guard.....		
28	6				9897-0825-16	Skruv.....	Screw.....	9898-0825-16	
29	2				1134-7398-01	Hålplåt	Hole plate.....		
30	1				1134-7252-01	Klaff- vä	Flap- LH.....		
31	1				1134-7252-02	Klaff- hö	Flap- RH.....		
32	1				1134-7254-01	Fäste- vä	Bracket- LH.....		
33	1				1134-7254-02	Fäste- hö	Bracket- RH.....		
34	4				9959-1020-16	Skruv.....	Screw.....		
35	6				9739-1031-22	Mutter.....	Nut.....		
36	4				9548-0016-00	Flänslager	Flange bearing.....		
37	2				9897-1025-16	Skruv.....	Screw.....		

KLAFFAR/FLAPS

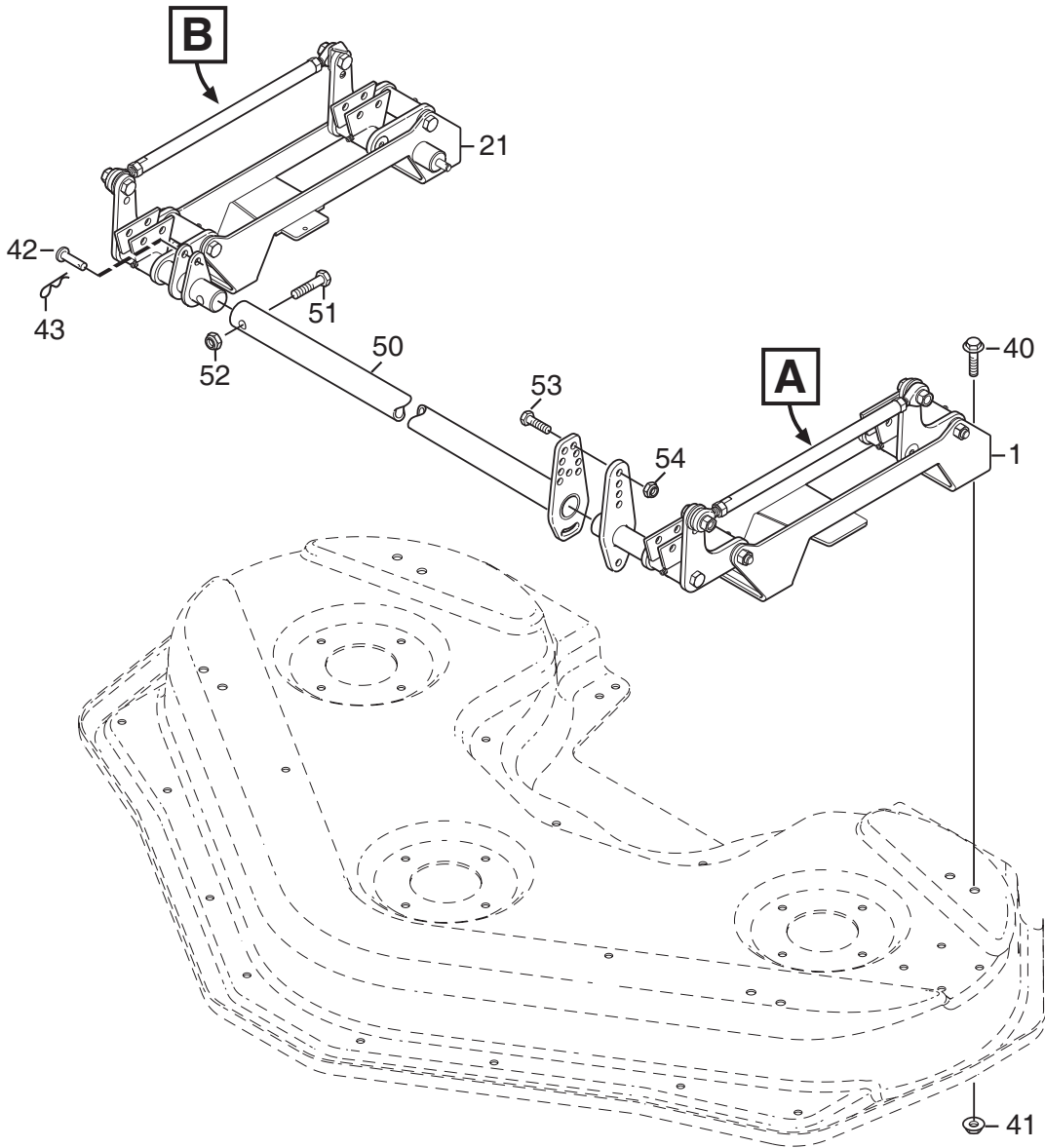
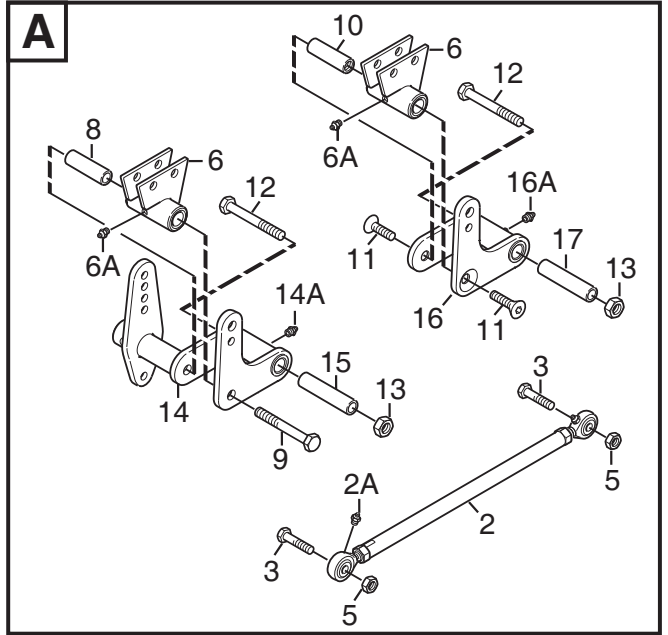
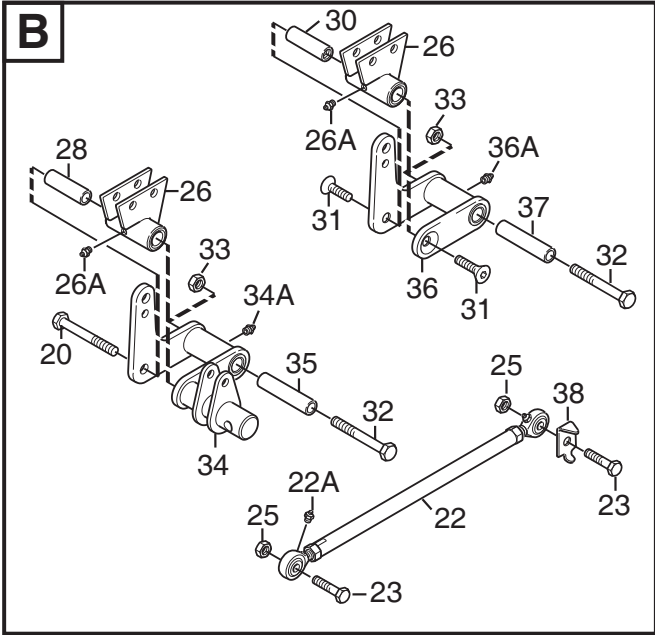


HÖJDINSTÄLLNING/HEIGHT ADJUSTMENT

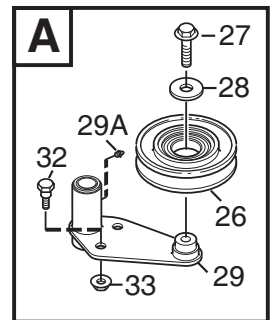
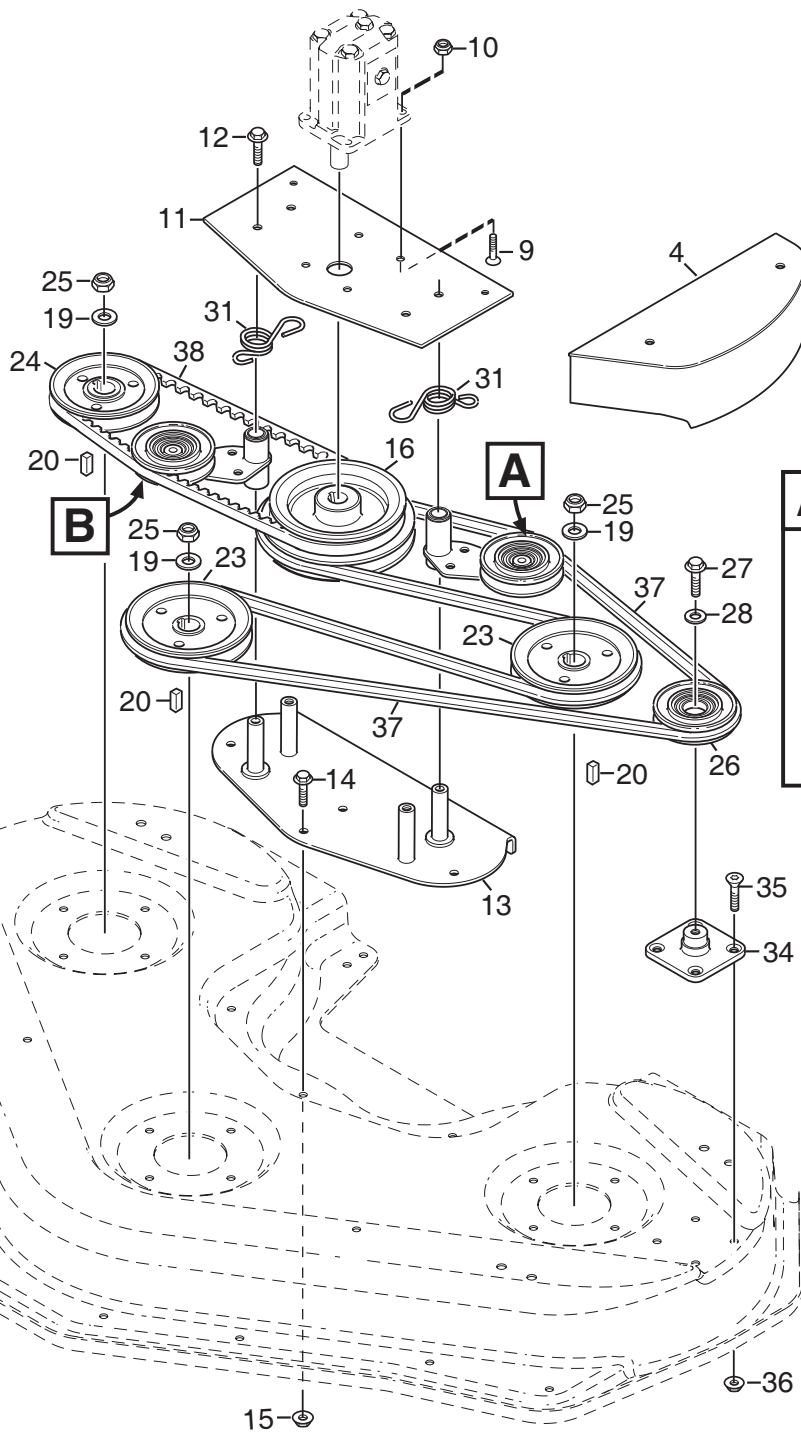
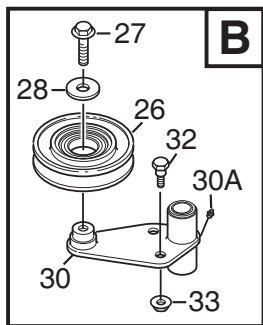
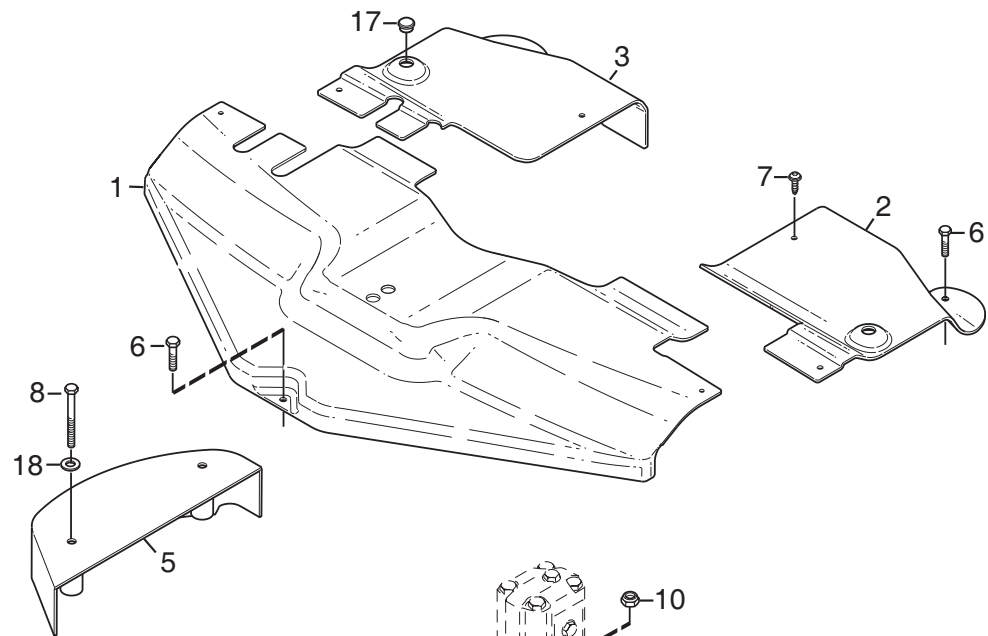




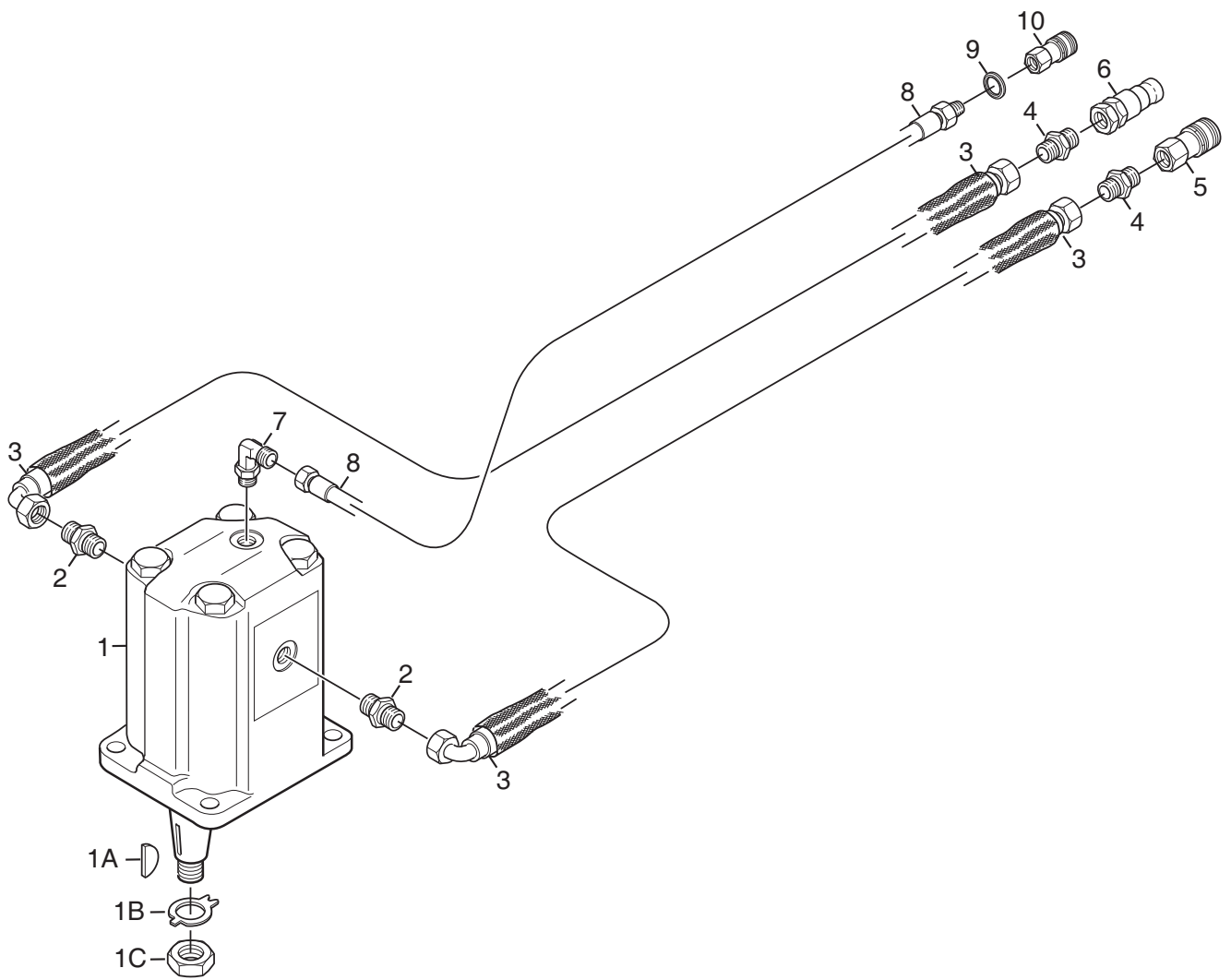
Utgåva Issue 2010- 16		Bildnr Picture No 2361		TITAN KLIPPAGGREGAT 135H REGLAGEHYDRAULIK		MOWER DECK 135H CONTROL HYDRAULICS		Sida Page 74	
Pos. Fig.	Antal/Quantity				Art nr Part No	Benämning	Description	Sats Kit	Anmärkning Notes
1	2				1134- 7052- 01	Hydraulcylinder	Hydraulic cylinder		
2	1				1134- 7332- 01	Fördelningsblock	Distribution block.....		
3	2				1134- 4948- 01	Tredobricka.....	Seal washer.....		
4	1				1134- 6042- 01	Snabbkoppling- hane.....	Quick coupling- male.....		
5	1				1134- 7172- 01	Snabbkoppling- hona.....	Quick coupling- female.....		
6	2				1134- 7287- 01	Hydraulslang 1/4".....	Hydraulic tube 1/4"		
7	6				1134- 7165- 01	Adapter.....	Hydraulic connector		
8	1				1134- 7288- 01	Hydraulslang 1/4".....	Hydraulic tube 1/4"		
9	1				1134- 7290- 01	Hydraulslang 1/4".....	Hydraulic tube 1/4"		
10	1				1134- 7289- 01	Hydraulslang 1/4".....	Hydraulic tube 1/4"		
11	1				1134- 7291- 01	Hydraulslang 1/4".....	Hydraulic tube 1/4"		
12	1				1134- 7627- 01	Slangskydd.....	Hose guard		
14	1				9579- 0017- 01	Buntband	Cable tie		
21	1				1134- 7052- 01	Hydraulcylinder	Hydraulic cylinder		
22	2				1134- 7292- 01	Hydraulslang 1/4".....	Hydraulic tube 1/4"		
23	2				1134- 4948- 01	Tredobricka.....	Seal washer.....		
24	1				1134- 6042- 01	Snabbkoppling- hane.....	Quick coupling- male.....		
25	1				1134- 7172- 01	Snabbkoppling- hona.....	Quick coupling- female.....		
26	1				9579- 0016- 01	Buntband- gult.....	Cable tie- yellow		



Utgåva Issue		Bildnr Picture No		TITAN KLIPPAGGREGAT 135H HÖJDINSTÄLLNING		MOWER DECK 135H HEIGHT ADJUST		Sida Page	
210- 16		2354A						76	
Pos. Fig.	Antal/Quantity				Art nr Part No	Benämning	Description	Sats Kit	Anmärkning Notes
1	1				1134- 7800- 01	Fäste- vä kpl.....	Attachment- LH assy		Pos 2 - 17 incl.
2	1				1134- 6904- 01	.Parallellstag kplParallel rod		
2A	2				9501- 0500- 00	.SmörjnippelGrease joint		
3	2				9997- 1240- 16	.SkruvScrew		
5	2				9747- 1231- 02	.LåsmutterLock nut		
6	2				1134- 6907- 01	.Fäste kplBracket assy		
6A	1				9501- 0500- 00	.SmörjnippelGrease joint		
8	1				1134- 6900- 02	.AxelAxle		L = 63
9	1				9997- 1211- 02	.SkruvScrew		
10	1				1134- 6900- 03	.Axel (gängad)Axle (threaded)		L = 63
11	2				9924- 1235- 19	.SkruvScrew		
12	2				9997- 1211- 02	.SkruvScrew		
13	2				9747- 1231- 02	.MutterNut		
14	1				1134- 7799- 01	.PivotplattaPivot plate		
14A	1				9501- 0500- 00	.SmörjnippelGrease joint		
15	1				1134- 6900- 01	.AxelAxle		L = 84
16	1				1134- 6859- 01	.PivotplattaPivot plate		
16A	1				9501- 0500- 00	.SmörjnippelGrease joint		
17	1				1134- 6900- 01	.AxelAxle		L = 84
21	1				1134- 7651- 01	Fäste- hö kpl	Attachment- RH assy		Pos 22 - 38 incl.
22	1				1134- 6904- 01	.Parallellstag kplParallel rod		
22A	2				9501- 0500- 00	.SmörjnippelGrease joint		
23	2				9997- 1240- 16	.SkruvScrew		
25	2				9747- 1231- 02	.LåsmutterLock nut		
26	2				1134- 6907- 01	.Fäste kplBracket assy		
26A	1				9501- 0500- 00	.SmörjnippelGrease joint		
28	1				1134- 6900- 02	.AxelAxle		L = 63
29	1				9997- 1211- 02	.SkruvScrew		
30	1				1134- 6900- 03	.Axel (gängad)Axle (threaded)		L = 63
31	2				9924- 1235- 19	.SkruvScrew		
32	2				9997- 1211- 02	.SkruvScrew		
33	2				9747- 1231- 02	.MutterNut		
34	1				1134- 7650- 01	.PivotplattaPivot plate		
34A	1				9501- 0500- 00	.SmörjnippelGrease joint		
35	1				1134- 6900- 01	.AxelAxle		L = 84
36	1				1134- 6860- 01	.PivotplattaPivot plate		
36A	1				9501- 0500- 00	.SmörjnippelGrease joint		
37	1				1134- 6900- 01	.AxelAxle		L = 84
38	1				1134- 7239- 01	.PilArrow		
40	8				9997- 1230- 16	.SkruvScrew		
41	8				9739- 1241- 22	.MutterNut		
42	2				1134- 7400- 01	.SprintPin		
43	2				9598- 0002- 02	.LåsnålPin lock		
50	1				1134- 7797- 01	.FramaxelFront axle		
51	1				9997- 1255- 12	.SkruvScrew		
52	1				9747- 1231- 02	.LåsmutterLock nut		
53	2				9997- 1030- 16	.SkruvScrew		
54	2				9747- 1031- 02	.MutterNut		

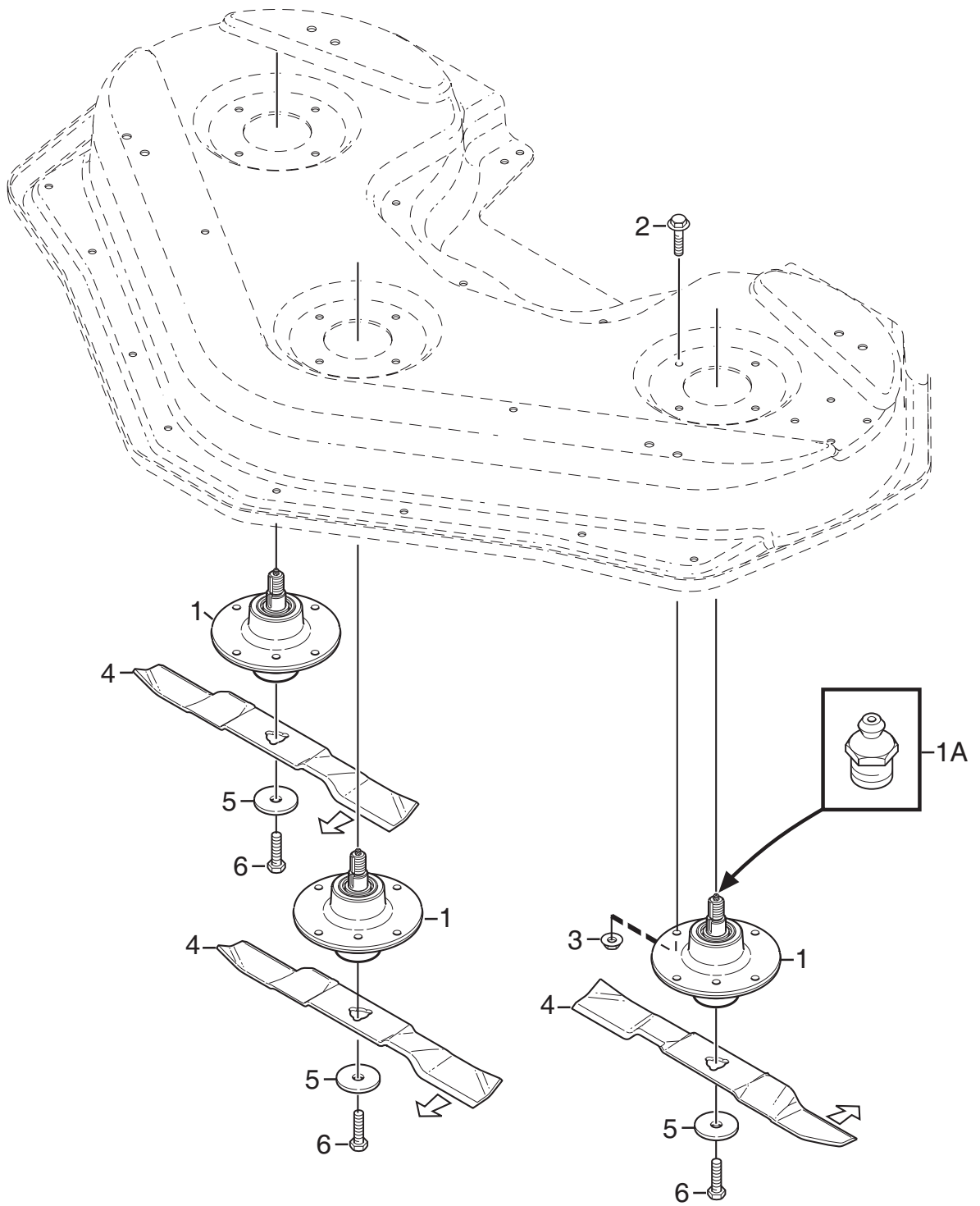


Utgåva Issue 2010-16		Bildnr Picture No 2357A		TITAN KLIPPAGGREGAT 135H TRANSMISSION		MOWER DECK 135H TRANSMISSION		Sida Page 78	
Pos. Fig.	Antal/Quantity				Art nr Part No	Benämning	Description	Sats Kit	Anmärkning Notes
1	1				1134-7406-01	Transmissionskåpa.....	Transmission cover.....		
2	1				1134-7407-01	Transmissionskåpa- vä	Transm.cover- LH.....		
3	1				1134-7408-01	Transmissionskåpa- hö	Transm.cover- RH.....		
4	1				1134-7280-01	Transmissionskåpa- vä	Transm.cover- LH.....		
5	1				1134-7280-02	Transmissionskåpa- hö	Transm.cover- RH.....		
6	5				9997-0820-16	Skruv.....	Screw.....		
7	2				9893-0616-16	Skruv.....	Screw.....		
8	4				9997-0890-12	Skruv.....	Screw.....		
9	4				9924-0830-16	Skruv.....	Screw.....		
10	4				9747-0831-02	Mutter.....	Lock nut.....		
11	1				1134-7062-01	Motorfäste.....	Motor plate.....		
12	4				9959-1025-16	Skruv.....	Screw.....		
13	1				1134-7068-01	Hylla.....	Plate.....		
14	3				9959-1020-16	Skruv.....	Screw.....		
15	3				9739-1031-22	Mutter.....	Nut.....		
16	1				1134-6979-01	Remskiva.....	Belt pulley.....		
17	4				1134-7518-01	Plastplugg.....	Plastic plug.....		
18	4				9699-0028-02	Bricka.....	Washer.....		
19	3				1134-7411-01	Bricka.....	Washer.....		
20	3				9600-0170-00	Plattkil.....	Flat key.....		
23	2				1134-7814-01	Remskiva.....	Belt pulley.....		Ø = 164
24	1				1134-7815-01	Remskiva.....	Belt pulley.....		Ø = 149
25	3				9747-2031-02	Mutter.....	Nut.....		
26	3				1134-7124-01	Spännrulle.....	Tension roller.....		Ø = 109
27	3				9959-1025-16	Skruv.....	Screw.....		
28	3				1134-5406-01	Bricka.....	Washer.....		
29	1				1134-7302-01	Remspännare- vä.....	Belt tensioner- LH.....		
29A	1				9501-0500-00	.Smörjnippel.....	.Grease joint.....		
30	1				1134-7303-01	Remspännare- hö.....	Belt tensioner- RH.....		
30A	1				9501-0500-00	.Smörjnippel.....	.Grease joint.....		
31	2				1134-7393-01	Fjäder.....	Spring.....		
32	2				1134-0240-01	Ansatssskruv.....	Shoulder screw.....		
33	2				9739-0831-22	Mutter.....	Nut.....		
34	1				1134-7307-01	Platta.....	Plate.....		
35	4				9924-1025-16	Skruv.....	Screw.....		
36	4				9739-1031-22	Mutter.....	Nut.....		
37	1				9585-0178-01	Kilrem (dubbel).....	V- belt (double).....		
38	1				9585-0182-01	Kilrem.....	V- belt.....		



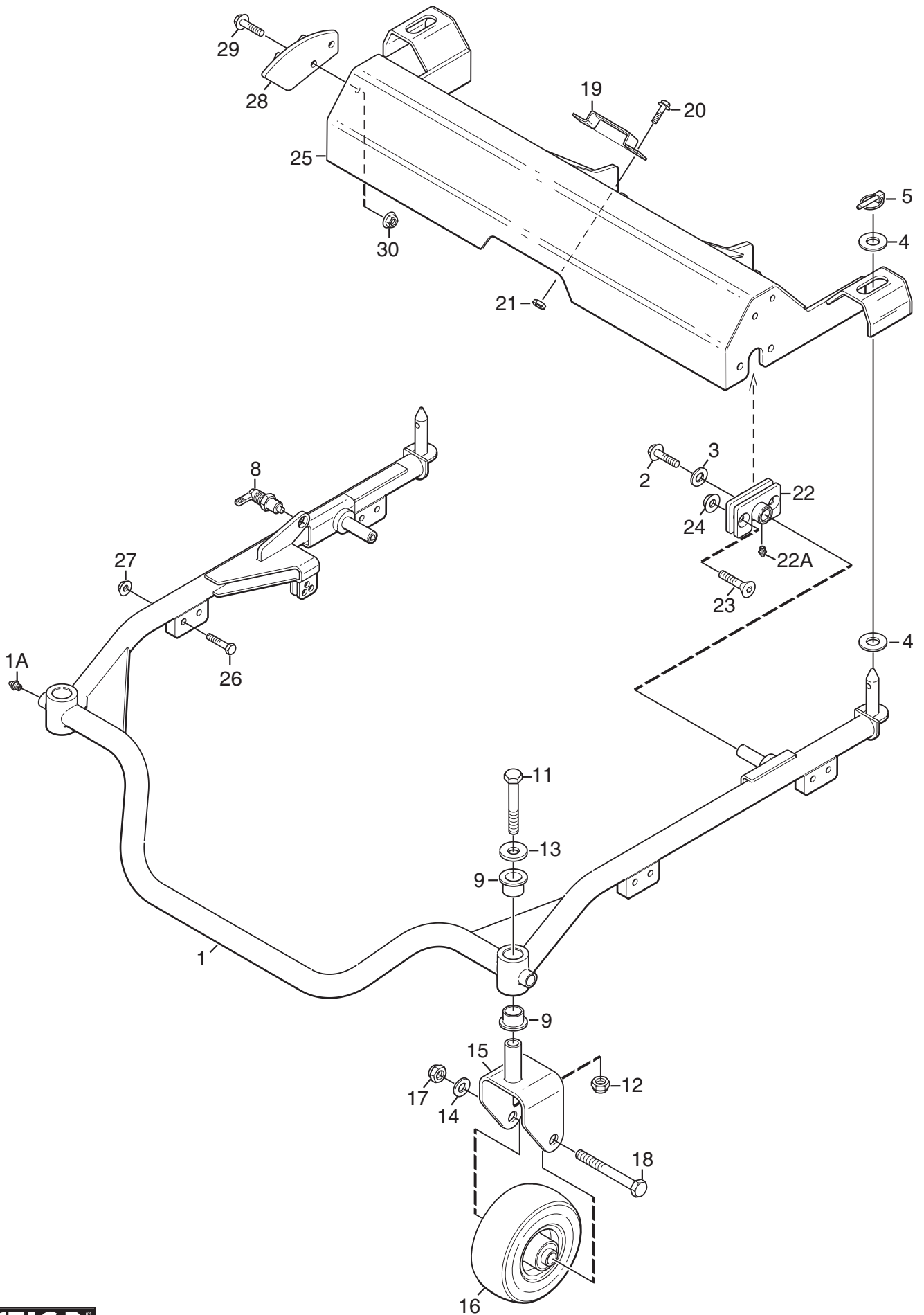


Utgåva Issue		Bildnr Picture No		TITAN KLIPPAGGREGAT 135H MOTORHYDRAULIK		MOWER DECKS 135H MOTOR HYDRAULIC		Sida Page	
2010- 16		2362						80	
Pos. Fig.	Antal/Quantity				Art nr Part No	Benämning	Description	Sats Kit	Anmärkning Notes
1	1				1134- 7329- 01	Hydraulmotor	Hydraulic motor		
1A	1				1139- 0009- 01	.KilKey		
1B	1				1139- 0007- 01	.BrickaWasher		
1C	1				1139- 0008- 01	.MutterNut		
2	2				1134- 7315- 01	Adapter	Hydraulic connector		
3	2				1134- 7630- 01	Hydraulslang 1/2"	Hydraulic tube 1/2"		
4	2				1134- 7161- 01	Adapter	Hydraulic connector		
5	1				1134- 7182- 01	Snabbkoppling- hona	Quick coupling- female		
6	1				1134- 7181- 01	Snabbkoppling- hane	Quick coupling- male		
7	1				1134- 5806- 01	Vinkeladapter	Angle coupling		
8	1				1134- 7294- 01	Hydraulslang 1/4"	Hydraulic tube 1/4"		
9	1				1134- 4948- 01	Tredobricka	Seal washer		
10	1				1134- 7172- 01	Snabbkoppling- hona	Quick coupling- female		

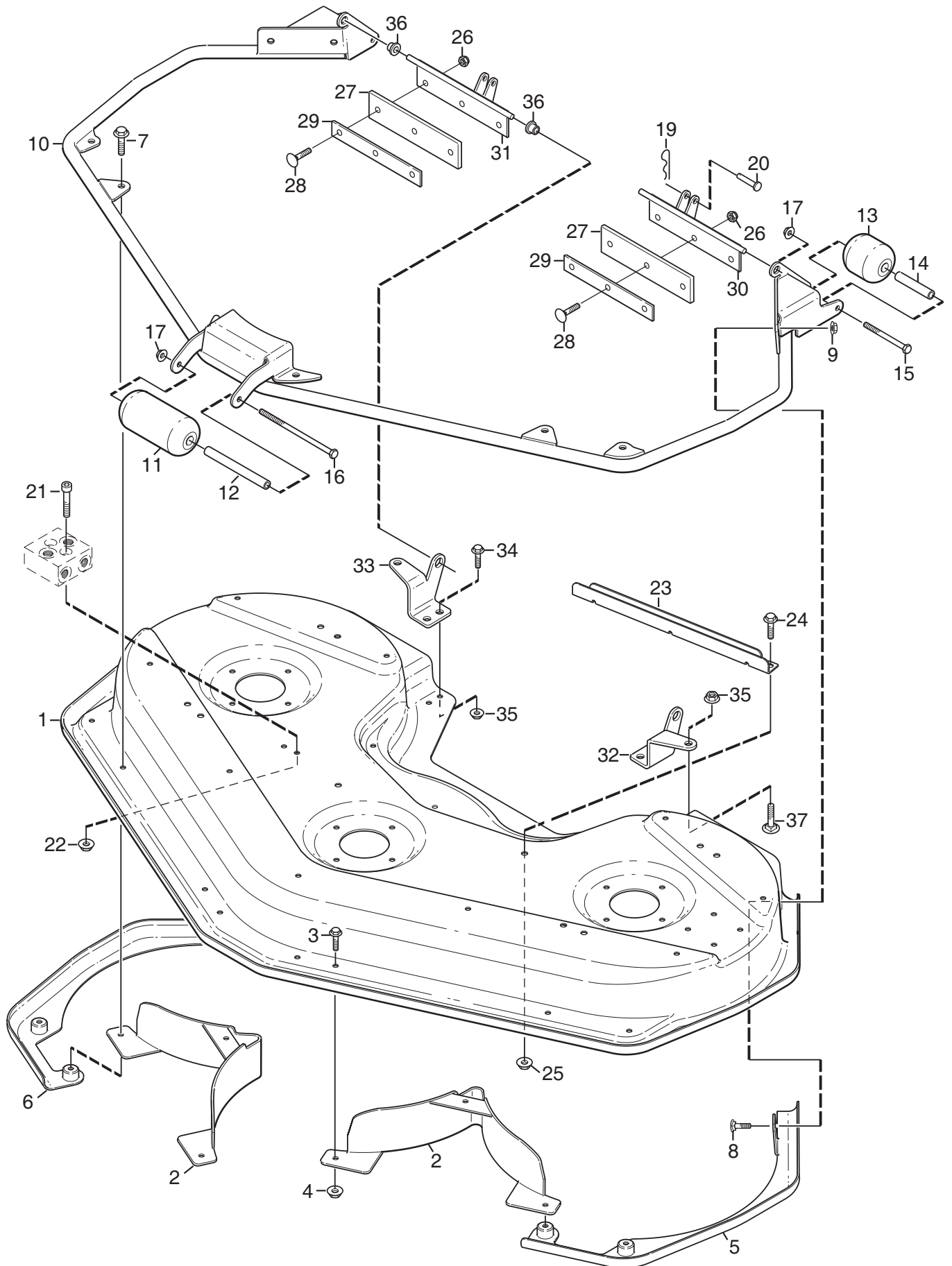




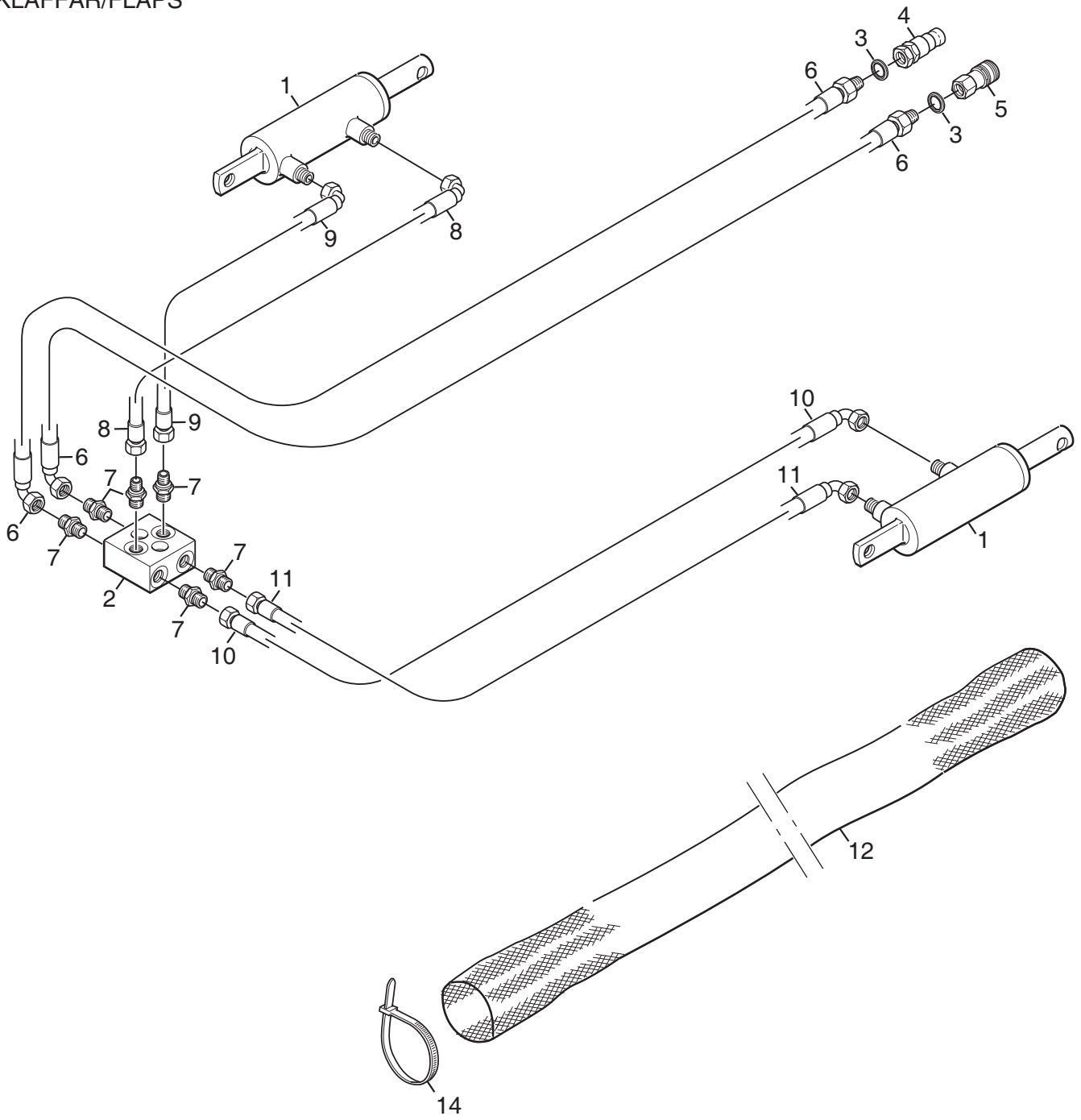
Utgåva Issue		Bildnr Picture No		TITAN KLIPPAGGREGAT 135H KNIVAR		MOWER DECK 135H BLADES		Sida Page 82	
Pos. Fig.	Antal/Quantity				Art nr Part No	Benämning	Description	Sats Kit	Anmärkning Notes
1	3				1134-6744-01	Lagerbox kpl.....	Bearing box assy.....		Kit 2+1/sats 2+1 st
1A	1				9501-0500-00	.Smörjnippel.....	.Grease joint.....		
2	12				9959-1025-16	Skruv.....	Screw.....		
3	12				9739-1031-22	Mutter.....	Nut.....		
4	1				1134-9131-01	Knivsats.....	Blade kit.....		
5	3				1134-6211-01	Knivbricka.....	Blade washer.....		
6	3				9997-1060-12	Skruv.....	Screw.....		



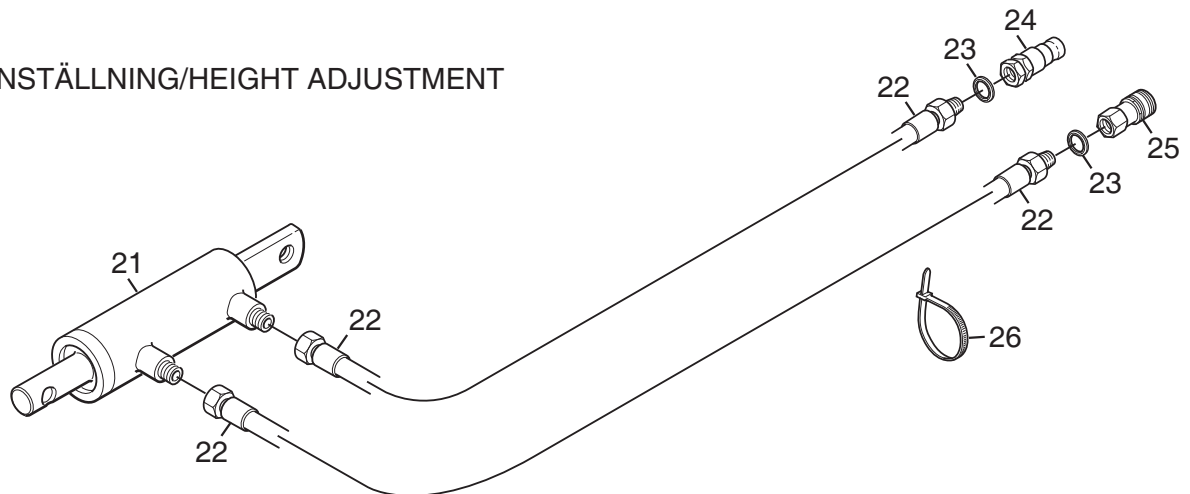
Utgåva Issue		Bildnr Picture No		TITAN KLIPPAGGREGAT 155H RAM			MOWER DECKS 155H FRAM		Sida Page 84	
Pos. Fig.	Antal/Quantity				Art nr Part No	Benämning	Description	Sats Kit	Anmärkning Notes	
1	1				1134-7840-01	Ram.....	Frame.....			
1A	2				9501-0500-00	.Smörjnippel.....	.Grease joint.....			
2	2				9959-1025-16	Skruv.....	Screw.....			
3	2				1134-5406-01	Bricka.....	Washer.....			
4	10				1134-7411-01	Bricka.....	Washer.....			
5	2				1134-7345-01	Låssprint.....	Locking pin.....			
8	1				1134-7330-01	Spärrbult.....	Catch bolt.....			
9	4				1134-5686-01	Lagerbussning.....	Bearing bush.....			
11	2				9997-1211-02	Skruv.....	Screw.....			
12	2				9747-1231-02	Låsmutter.....	Lock nut.....			
13	2				1134-7410-01	Bricka.....	Washer.....			
14	2				9699-0104-02	Bricka.....	Washer.....			
15	2				1134-7477-01	Hjulbygel.....	Wheel fork.....			
16	2				1135-3394-01	Hjul.....	Wheel.....			
17	2				9747-1631-02	Låsmutter.....	Lock nut.....			
18	2				9997-1616-02	Skruv.....	Screw.....			
19	1				1134-7333-01	Bygel.....	Clamp.....			
20	2				9959-1025-16	Skruv.....	Screw.....			
21	2				9739-1031-22	Mutter.....	Nut.....			
22	2				1134-7002-01	Fäste.....	Support.....			
22A	1				9501-0500-00	.Smörjnippel.....	.Grease joint.....			
23	4				9924-1240-16	Skruv.....	Screw.....			
24	4				9739-1241-22	Mutter.....	Nut.....			
25	1				1134-7804-01	Lyftram.....	Lift frame.....			
26	8				9997-1045-12	Skruv.....	Screw.....			
27	8				9747-1031-02	Låsmutter.....	Lock nut.....			
28	1				1134-7435-01	Spärrplatta.....	Catch.....			
29	2				9959-1025-16	Skruv.....	Screw.....			
30	2				9739-1031-22	Mutter.....	Nut.....			
99	1				1135-3156-04	Dekalsats.....	Label kit.....		155H	



KLAFFAR/FLAPS

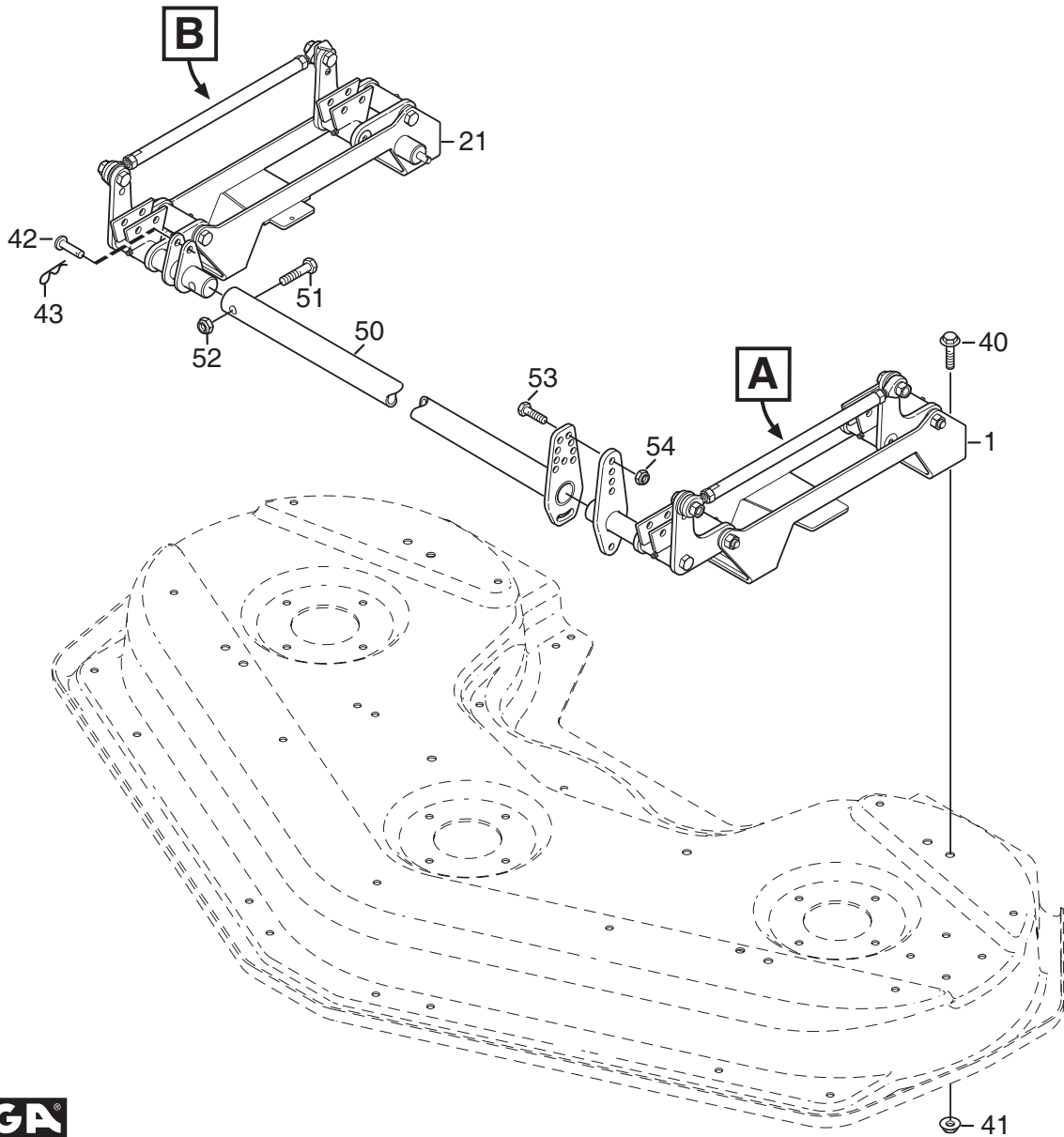
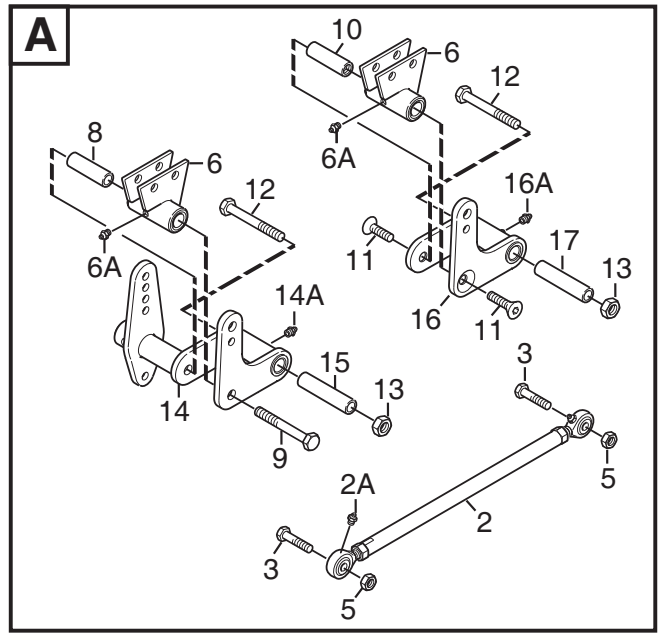
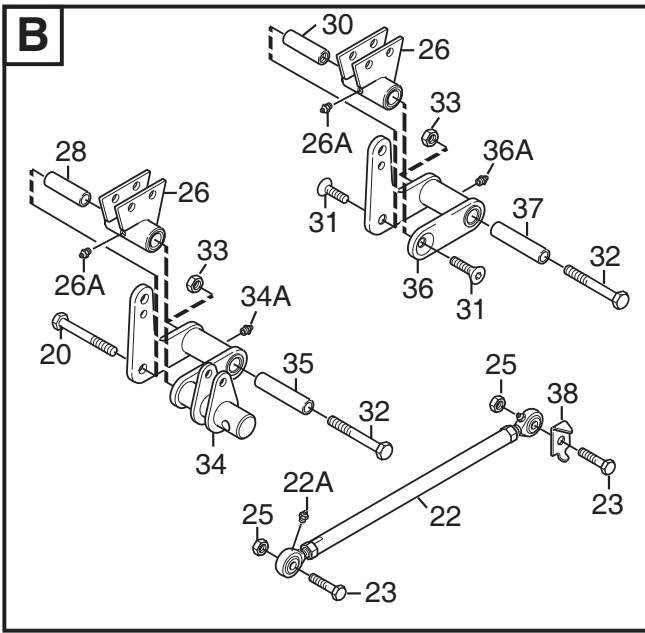


HÖJDINSTÄLLNING/HEIGHT ADJUSTMENT

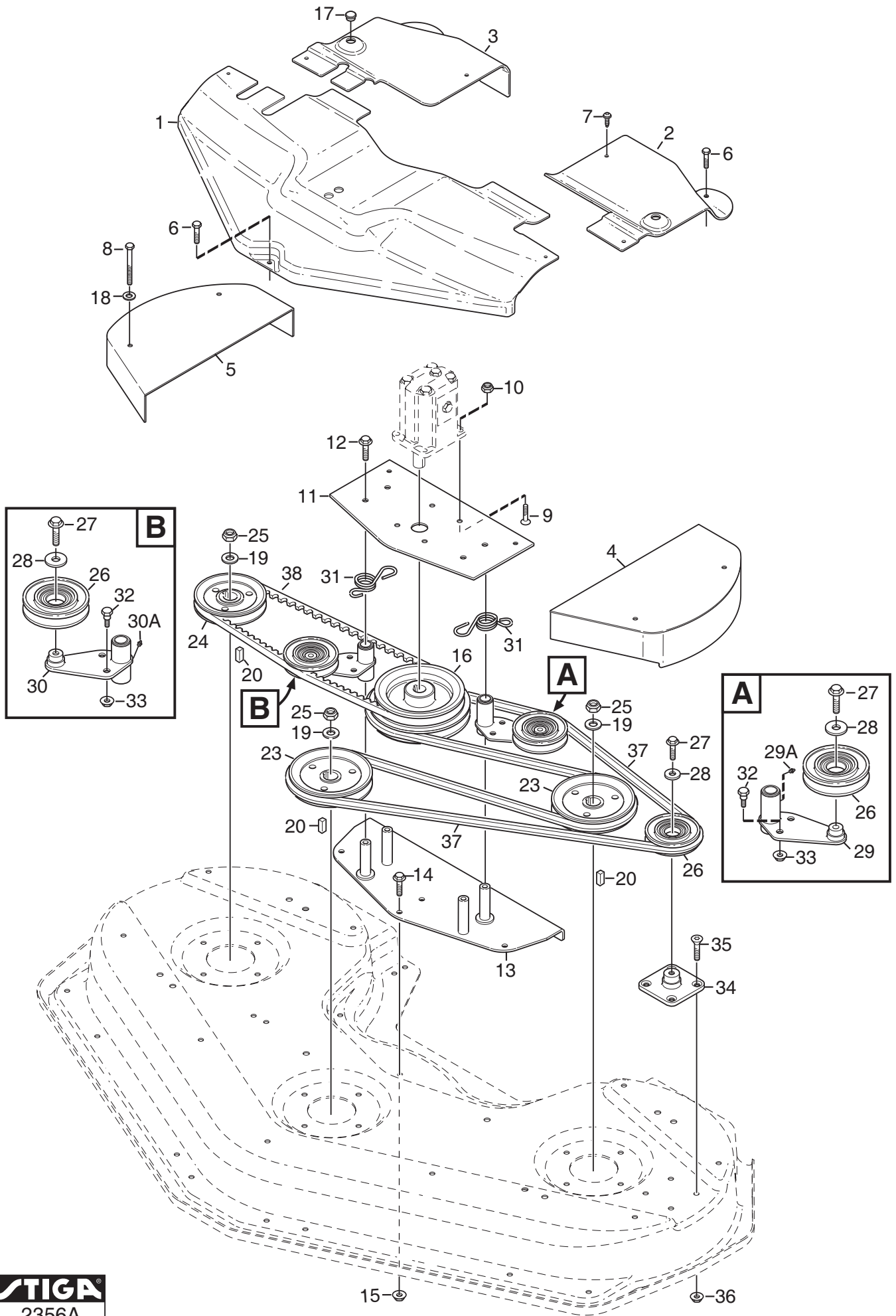




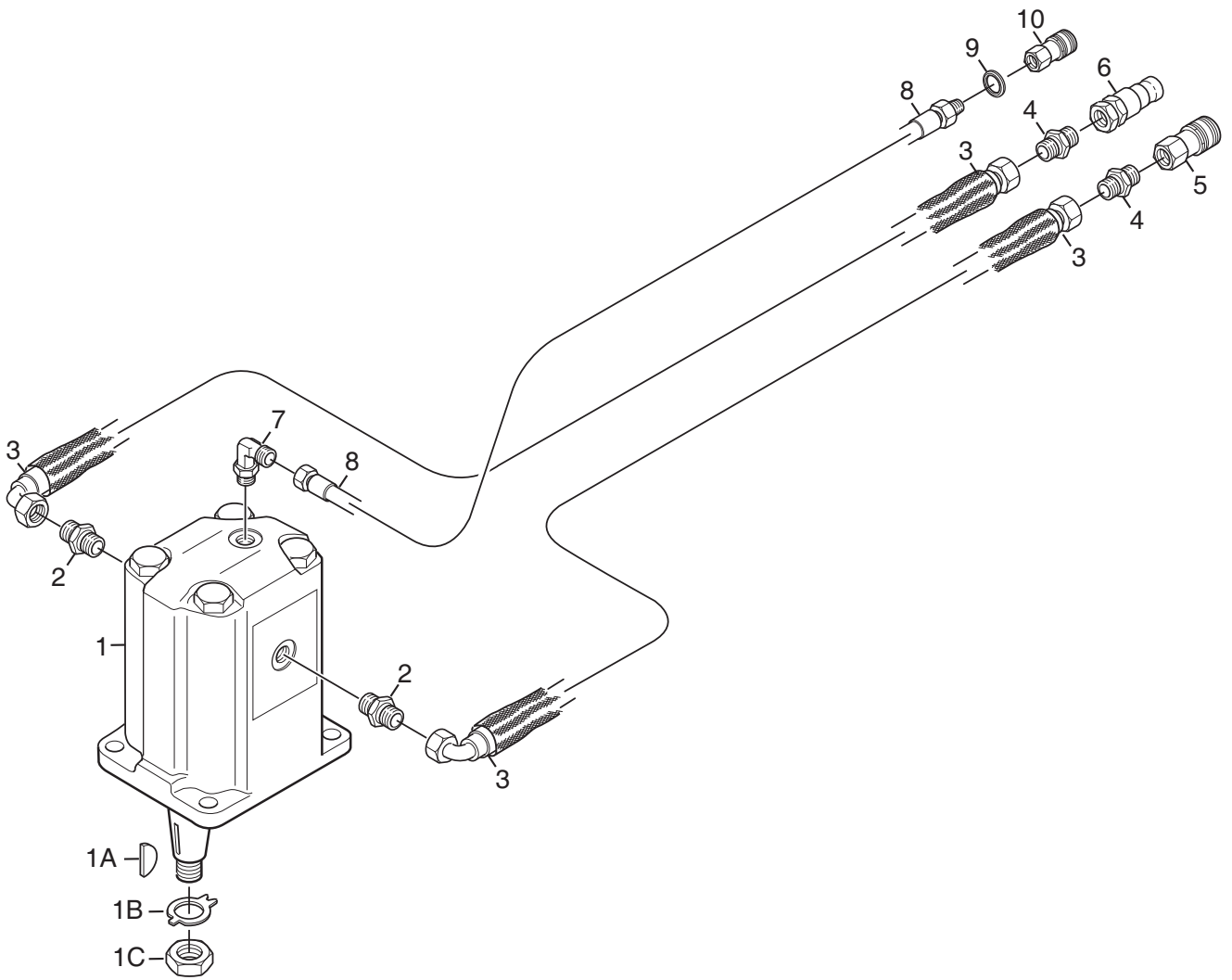
Utgåva Issue		Bildnr Picture No		TITAN KLIPPAGGREGAT 155H REGLAGEHYDRAULIK		MOWER DECK 155H CONTROL HYDRAULICS		Sida Page 88	
Pos. Fig.	Antal/Quantity				Art nr Part No	Benämning	Description	Sats Kit	Anmärkning Notes
1	2				1134-7052-01	Hydraulcylinder	Hydraulic cylinder		
2	1				1134-7332-01	Fördelningsblock	Distribution block.....		
3	2				1134-4948-01	Tredobricka.....	Seal washer.....		
4	1				1134-6042-01	Snabbkoppling- hane.....	Quick coupling- male.....		
5	1				1134-7172-01	Snabbkoppling- hona.....	Quick coupling- female.....		
6	2				1134-7287-01	Hydraulslang 1/4".....	Hydraulic tube 1/4"		
7	6				1134-7165-01	Adapter.....	Hydraulic connector		
8	1				1134-7288-01	Hydraulslang 1/4".....	Hydraulic tube 1/4"		
9	1				1134-7290-01	Hydraulslang 1/4".....	Hydraulic tube 1/4"		
10	1				1134-7289-01	Hydraulslang 1/4".....	Hydraulic tube 1/4"		
11	1				1134-7291-01	Hydraulslang 1/4".....	Hydraulic tube 1/4"		
12	1				1134-7627-01	Slangskydd.....	Hose guard		
14	1				9579-0017-01	Buntband.....	Cable tie		
21	1				1134-7052-01	Hydraulcylinder	Hydraulic cylinder		
22	2				1134-7292-01	Hydraulslang 1/4".....	Hydraulic tube 1/4"		
23	2				1134-4948-01	Tredobricka.....	Seal washer.....		
24	1				1134-6042-01	Snabbkoppling- hane.....	Quick coupling- male.....		
25	1				1134-7172-01	Snabbkoppling- hona.....	Quick coupling- female.....		
26	1				9579-0016-01	Buntband- gult.....	Cable tie- yellow		



Utgåva Issue		Bildnr Picture No		TITAN KLIPPAGGREGAT 155H HÖJDINSTÄLLNING		MOWER DECK 155H HEIGHT ADJUST		Sida Page	
2010- 16		2353A						90	
Pos. Fig.	Antal/Quantity				Art nr Part No	Benämning	Description	Sats Kit	Anmärkning Notes
1	1				1134- 7800- 01	Fäste- vä kpl.....	Attachment- LH assy		Pos 2 - 17 incl.
2	1				1134- 6904- 01	.Parallellstag kplParallel rod		
2A	2				9501- 0500- 00	.SmörjnippelGrease joint		
3	2				9997- 1240- 16	.SkruvScrew		
5	2				9747- 1231- 02	.LåsmutterLock nut		
6	2				1134- 6907- 01	.Fäste kplBracket assy		
6A	1				9501- 0500- 00	.SmörjnippelGrease joint		
8	1				1134- 6900- 02	.AxelAxle		L = 63
9	1				9997- 1211- 02	.SkruvScrew		
10	1				1134- 6900- 03	.Axel (gängad)Axle (threaded)		L = 63
11	2				9924- 1235- 19	.SkruvScrew		
12	2				9997- 1211- 02	.SkruvScrew		
13	2				9747- 1231- 02	.MutterNut		
14	1				1134- 7799- 01	.PivotplattaPivot plate		
14A	1				9501- 0500- 00	.SmörjnippelGrease joint		
15	1				1134- 6900- 01	.AxelAxle		L = 84
16	1				1134- 6859- 01	.PivotplattaPivot plate		
16A	1				9501- 0500- 00	.SmörjnippelGrease joint		
17	1				1134- 6900- 01	.AxelAxle		L = 84
21	1				1134- 7651- 01	Fäste- hö kpl	Attachment- RH assy		Pos 22 - 38 incl.
22	1				1134- 6904- 01	.Parallellstag kplParallel rod		
22A	2				9501- 0500- 00	.SmörjnippelGrease joint		
23	2				9997- 1240- 16	.SkruvScrew		
25	2				9747- 1231- 02	.LåsmutterLock nut		
26	2				1134- 6907- 01	.Fäste kplBracket assy		
26A	1				9501- 0500- 00	.SmörjnippelGrease joint		
28	1				1134- 6900- 02	.AxelAxle		L = 63
29	1				9997- 1211- 02	.SkruvScrew		
30	1				1134- 6900- 03	.Axel (gängad)Axle (threaded)		L = 63
31	2				9924- 1235- 19	.SkruvScrew		
32	2				9997- 1211- 02	.SkruvScrew		
33	2				9747- 1231- 02	.MutterNut		
34	1				1134- 7650- 01	.PivotplattaPivot plate		
34A	1				9501- 0500- 00	.SmörjnippelGrease joint		
35	1				1134- 6900- 01	.AxelAxle		L = 84
36	1				1134- 6860- 01	.PivotplattaPivot plate		
36A	1				9501- 0500- 00	.SmörjnippelGrease joint		
37	1				1134- 6900- 01	.AxelAxle		L = 84
38	1				1134- 7239- 01	.PilArrow		
40	8				9997- 1230- 16	.SkruvScrew		
41	8				9739- 1241- 22	.MutterNut		
42	2				1134- 7400- 01	.SprintPin		
43	2				9598- 0002- 02	.LåsnålPin lock		
50	1				1134- 7797- 01	.FramaxelFront axle		
51	1				9997- 1255- 12	.SkruvScrew		
52	1				9747- 1231- 02	.LåsmutterLock nut		
53	2				9997- 1030- 16	.SkruvScrew		
54	2				9747- 1031- 02	.MutterNut		

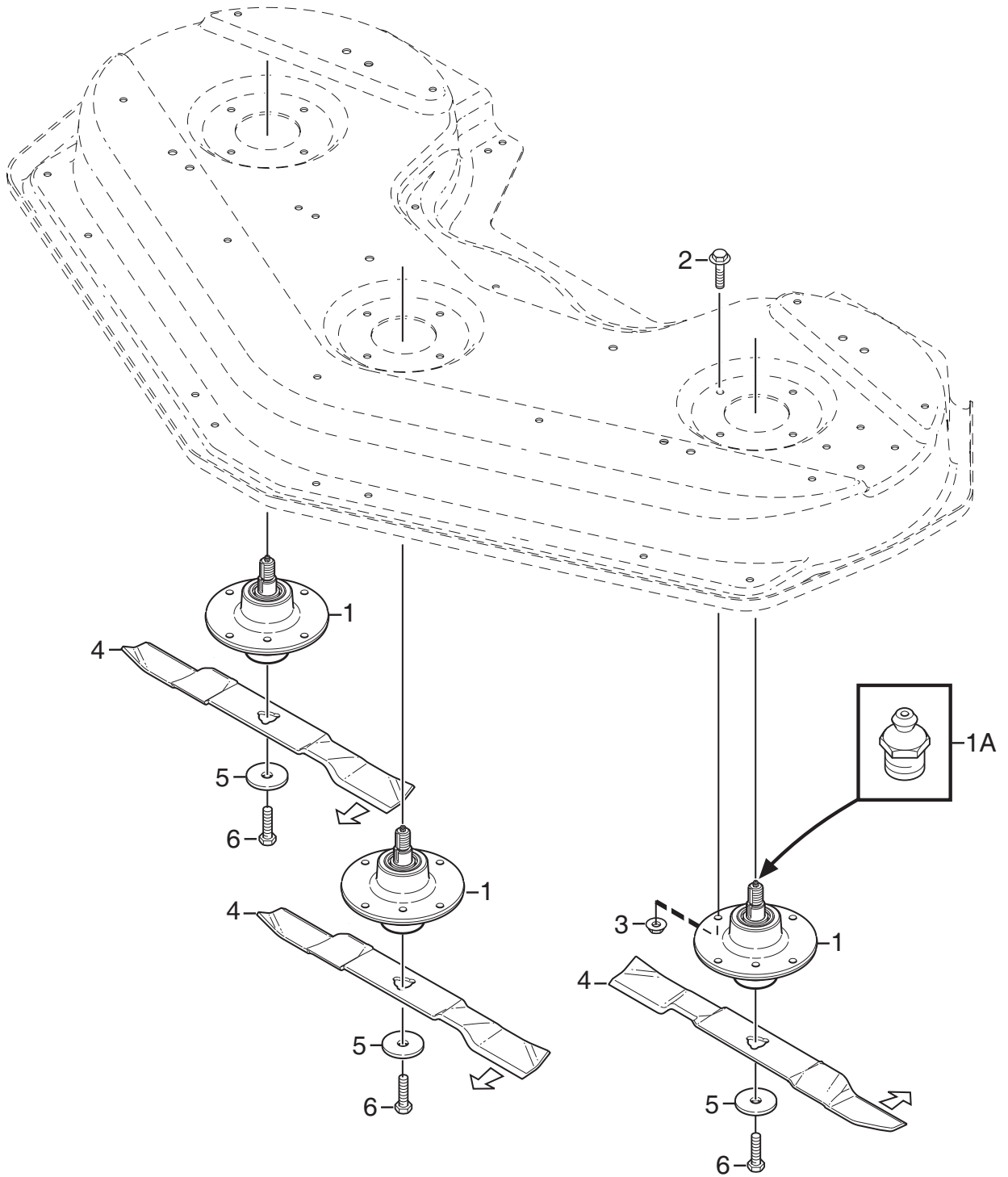


Utgåva Issue 2010- 16		Bildnr Picture No 2356A		TITAN KLIPPAGGREGAT 155H TRANSMISSION		MOWER DECKS 155H TRANSMISSION		Sida Page 92	
Pos. Fig.	Antal/Quantity				Art nr Part No	Benämning	Description	Sats Kit	Anmärkning Notes
1	1				1134-7406-01	Transmissionskåpa	Transmission cover		
2	1				1134-7407-01	Transmissionskåpa- vä	Transm.cover- LH		
3	1				1134-7408-01	Transmissionskåpa- hö	Transm.cover- RH		
4	1				1134-7277-01	Transmissionskåpa- vä	Transm.cover- LH		
5	1				1134-7277-02	Transmissionskåpa- hö	Transm.cover- RH		
6	5				9997-0820-16	Skruv	Screw		
7	2				9893-0616-16	Skruv	Screw		
8	4				9997-0890-12	Skruv	Screw		
9	4				9924-0830-16	Skruv	Screw		
10	4				9747-0831-02	Mutter	Lock nut		
11	1				1134-7062-01	Motorfäste	Motor plate		
12	4				9959-1025-16	Skruv	Screw		
13	1				1134-7063-01	Hylla	Plate		
14	3				9959-1020-16	Skruv	Screw		
15	3				9739-1031-22	Mutter	Nut		
16	1				1134-6978-01	Remskiva	Belt pulley		
17	4				1134-7518-01	Plastplugg	Plastic plug		
18	4				9699-0028-02	Bricka	Washer		
19	3				1134-7411-01	Bricka	Washer		
20	3				9600-0170-00	Plattkil	Flat key		
23	2				1134-7814-01	Remskiva	Belt pulley		Ø = 164
24	1				1134-7815-01	Remskiva	Belt pulley		Ø = 149
25	3				9747-2031-02	Mutter	Nut		
26	3				1134-7124-01	Spännrulle	Tension roller		Ø = 109
27	3				9959-1025-16	Skruv	Screw		
28	3				1134-5406-01	Bricka	Washer		
29	1				1134-7302-01	Remspännare- vä	Belt tensioner- LH		
29A	1				9501-0500-00	.SmörjnippelGrease joint		
30	1				1134-7303-01	Remspännare- hö	Belt tensioner- RH		
30A	1				9501-0500-00	.SmörjnippelGrease joint		
31	2				1134-7393-01	Fjäder	Spring		
32	2				1134-0240-01	Ansatssskruv	Shoulder screw		
33	2				9739-0831-22	Mutter	Nut		
34	1				1134-7307-01	Platta	Plate		
35	4				9924-1025-16	Skruv	Screw		
36	4				9739-1031-22	Mutter	Nut		
37	1				9585-0177-01	Kilrem (dubbel)	V- belt (double)		
38	1				9585-0181-01	Kilrem	V- belt		





Utgåva Issue		Bildnr Picture No		TITAN KLIPPAGGREGAT 155H MOTORHYDRAULIK		MOWER DECK 155H MOTOR HYDRAULIC		Sida Page	
2010- 16		2362						94	
Pos. Fig.	Antal/Quantity				Art nr Part No	Benämning	Description	Sats Kit	Anmärkning Notes
1	1				1134- 7329- 01	Hydraulmotor	Hydraulic motor		
1A	1				1139- 0009- 01	.KilKey		
1B	1				1139- 0007- 01	.BrickaWasher		
1C	1				1139- 0008- 01	.MutterNut		
2	2				1134- 7315- 01	Adapter	Hydraulic connector		
3	2				1134- 7630- 01	Hydraulslang 1/2"	Hydraulic tube 1/2"		
4	2				1134- 7161- 01	Adapter	Hydraulic connector		
5	1				1134- 7182- 01	Snabbkoppling- hona	Quick coupling- female		
6	1				1134- 7181- 01	Snabbkoppling- hane	Quick coupling- male		
7	1				1134- 5806- 01	Vinkeladapter	Angle coupling		
8	1				1134- 7294- 01	Hydraulslang 1/4"	Hydraulic tube 1/4"		
9	1				1134- 4948- 01	Tredobricka	Seal washer		
10	1				1134- 7172- 01	Snabbkoppling- hona	Quick coupling- female		





Utgåva Issue		Bildnr Picture No		TITAN KLIPPAGGREGAT 155H KNIVAR		MOWER DECK 155H BLADES		Sida Page 96	
Pos. Fig.	Antal/Quantity				Art nr Part No	Benämning	Description	Sats Kit	Anmärkning Notes
1	3				1134-6744-01	Lagerbox kpl.....	Bearing box assy.....		Kit 2+1/sats 2+1 st.
1A	1				9501-0500-00	.Smörjnippel.....	.Grease joint.....		
2	12				9959-1025-16	Skruv.....	Screw.....		
3	12				9739-1031-22	Mutter.....	Nut.....		
4	1				1134-9132-01	Knivsats.....	Blade kit.....		
5	3				1134-6211-01	Knivbricka.....	Blade washer.....		
6	3				9997-1060-12	Skruv.....	Screw.....		