

Genuine Spare Parts

www.stiga.com

TITAN - Mower decks Model Year 2011

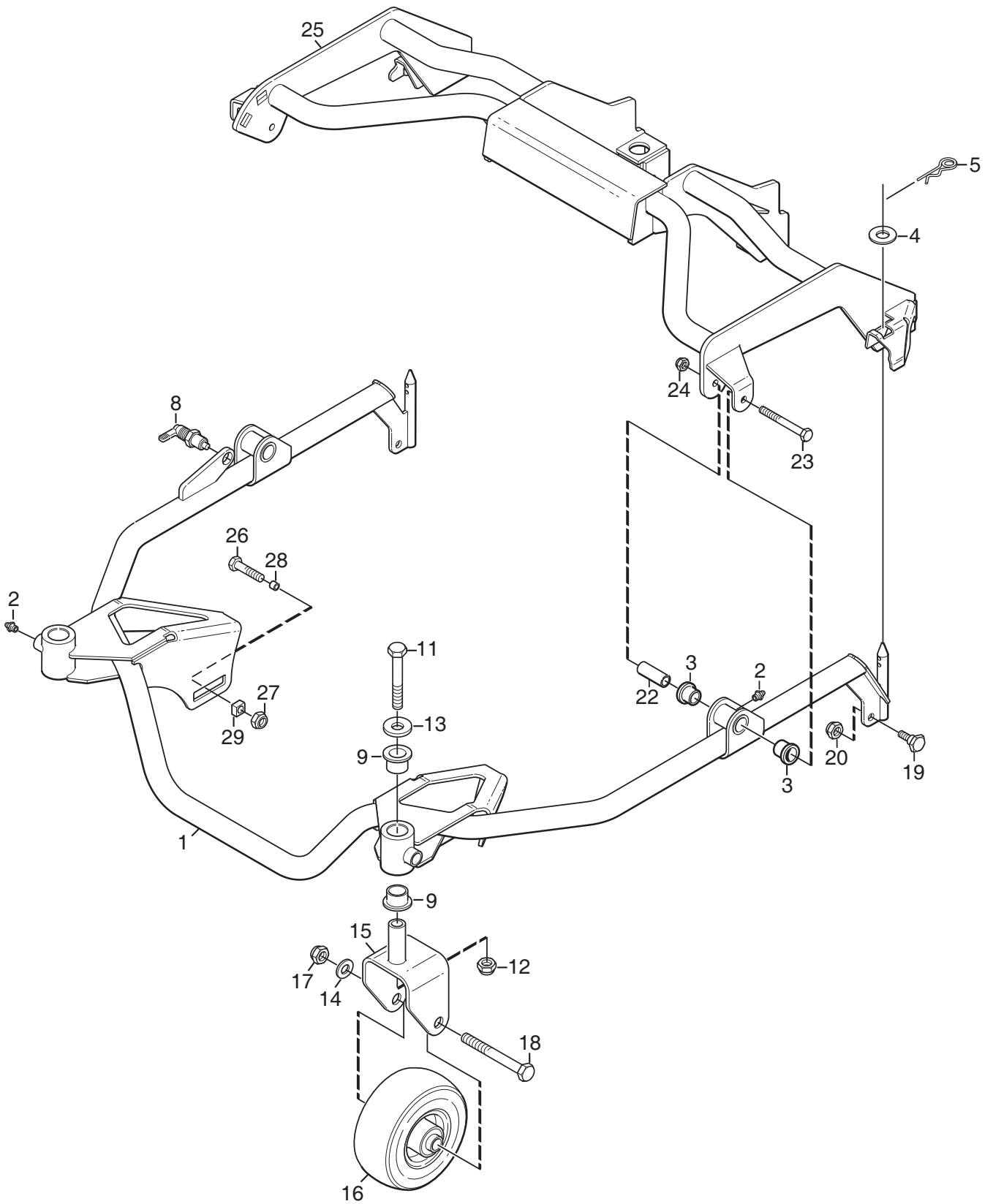
Mower deck 125H Combi

- Use GLOBAL GARDEN PRODUCT Genuine Spare Parts specified in the parts list for repair and/or replacement.
- The contents described in the parts list may change due to improvement.
- The drawings of the spare parts are only indicative and might not represent the part in question exactly.
- The indications "right" - "left" - "front" - "rear" refer to the position of the operator when using the machine.
- When placing orders of parts for repair and/or replacement, make sure that the illustrated parts list is the one applying to the machine's year of manufacture, as shown on the identification plate attached to the machine.

COPYRIGHT by GLOBAL GARDEN PRODUCTS

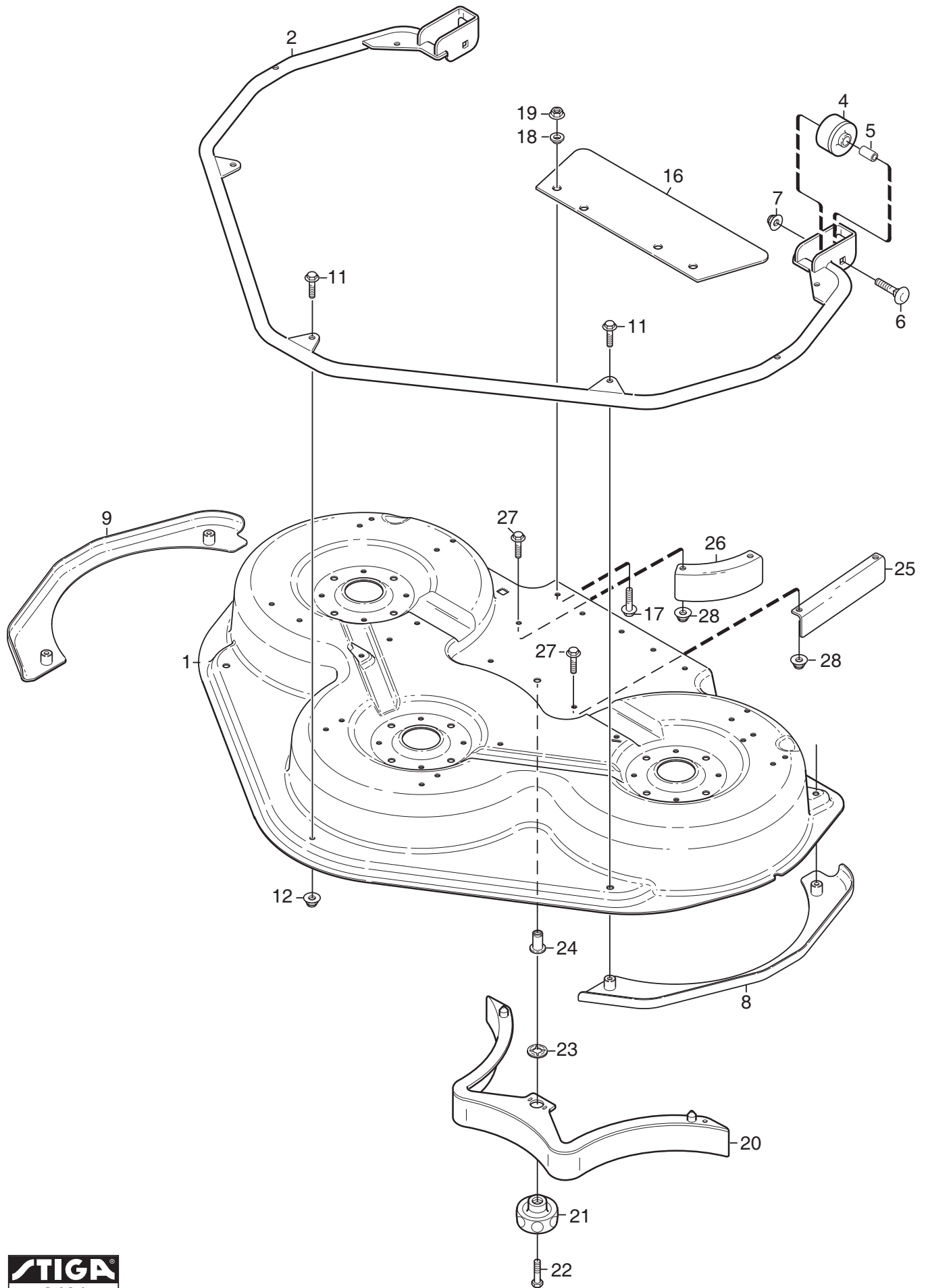
All rights reserved. No part of this material may be reproduced or transmitted, in any form or by any means, electronic or mechanical, including photocopying, recording or by any information storage and retrieval system, without permission in writing from GLOBAL GARDEN PRODUCTS.



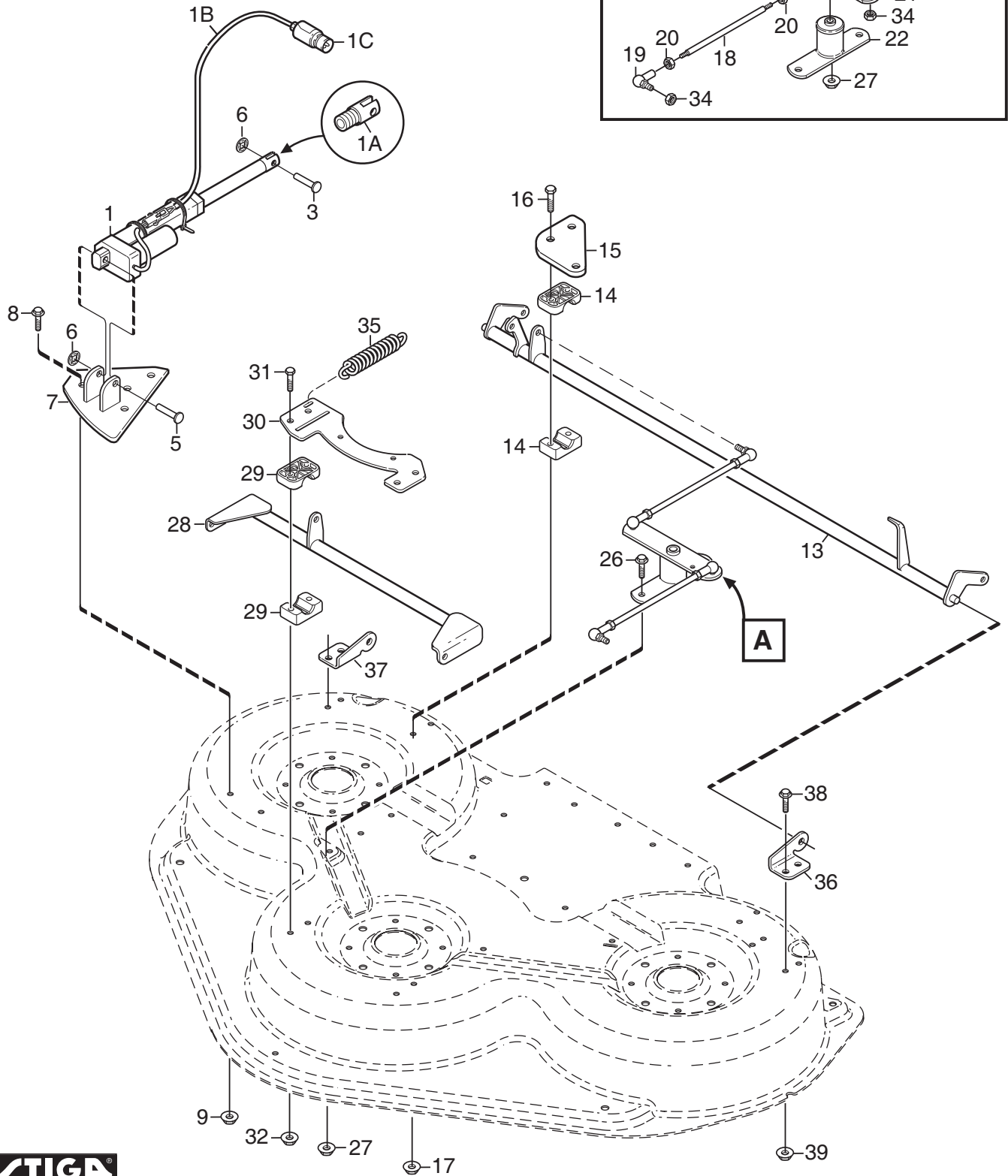




Utgåva Issue		Bildnr Picture No		TITAN KLIPPAGGREGAT 125H RAM		MOWER DECK 125H FRAME		Sida Page 62	
Pos. Fig.	Antal/Quantity				Art nr Part No	Benämning	Description	Sats Kit	Anmärkning Notes
1	1				1134-7577-01	Ram.....	Frame.....		
2	4				9501-0500-00	Smörjnippel.....	Grease joint.....		
3	4				9544-0002-01	Glidlager.....	Bearing.....		
4	2				9699-0123-02	Bricka.....	Washer.....		
5	2				9598-2001-02	Låsnål.....	Spring pin.....		
8	1				1134-7330-01	Spärrbult.....	Catch bolt.....		
9	4				1134-5686-01	Lagerbussning.....	Bearing bush.....		
11	2				9997-1211-02	Skruv.....	Screw.....		
12	2				9747-1231-02	Låsmutter.....	Lock nut.....		
13	2				1134-7410-01	Bricka.....	Washer.....		
15	2				1134-7477-01	Hjulbygel.....	Wheel fork.....		
16	2				1135-3394-01	Hjul.....	Wheel.....		
17	2				9747-1631-02	Låsmutter.....	Lock nut.....		
18	2				9997-1616-02	Skruv.....	Screw.....		
19	2				1134-0240-01	Ansatsskruv.....	Shoulder screw.....		
20	2				9747-0831-02	Mutter.....	Lock nut.....		
22	2				1134-7617-01	Distans.....	Spacer.....		
23	2				9997-1080-12	Skruv.....	Screw.....		
24	2				9747-1031-02	Låsmutter.....	Lock nut.....		
25	1				1134-7805-01	Lyftram.....	Lift frame.....		
26	2				9997-0825-16	Skruv.....	Screw.....		
27	2				9747-0831-02	Mutter.....	Lock nut.....		
28	2				1134-5626-01	Distans.....	Spacer.....		
29	2				1134-7595-01	Distans.....	Spacer.....		

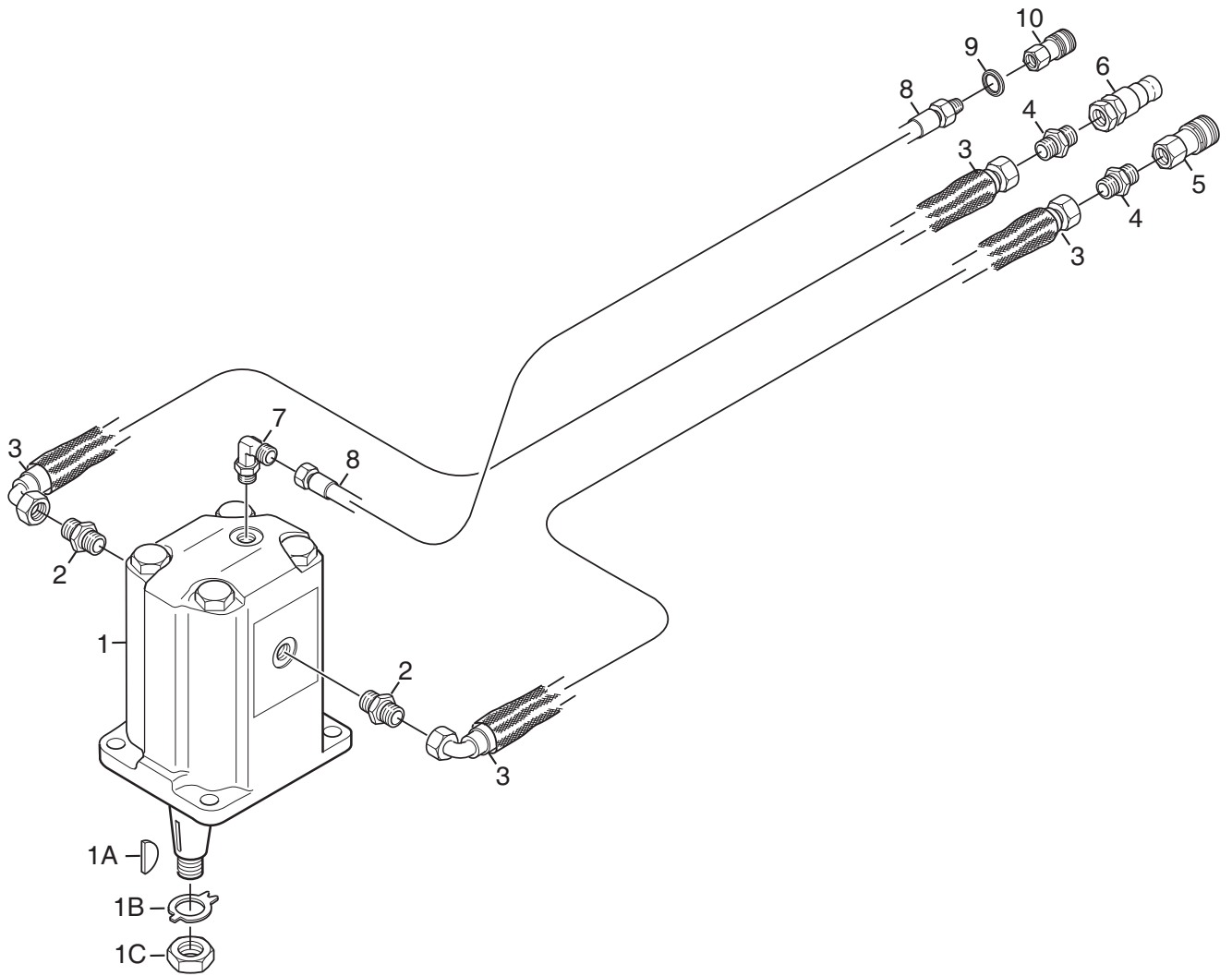


Utgåva Issue		Bildnr Picture No		TITAN KLIPPAGGREGAT 125H KÅPA		MOWER DECK 125H CASING		Sida Page 64	
Pos. Fig.	Antal/Quantity				Art nr Part No	Benämning	Description	Sats Kit	Anmärkning Notes
1	1				1134-7750-01	Kåpa	Casing		Pos 24 incl.
2	1				1134-6110-03	Ram- grå.....	Frame- grey		
4	2				1134-3434-01	Rulle	Roller		
5	2				1134-0041-04	Hylsa	Bushing		
6	2				9897-1060-12	Skruv	Screw		
7	2				9739-1031-22	Mutter.....	Nut		
8	1				1134-7520-01	Slitskydd- vä	Wear protection- LH		
9	1				1134-7520-02	Slitskydd- hö.....	Wear protection- RH.....		
11	5				9959-0816-16	Skruv	Screw		
12	1				9739-0831-22	Mutter.....	Nut		
16	1				1134-5885-01	Gummiskydd	Rubber flap		
17	2				9959-0816-16	Skruv	Screw		
18	4				1134-4185-01	Ansatsbricka.....	Flange washer		
19	2				9739-0831-22	Mutter.....	Nut		
20	1				1134-5409-02	Mulcherplugg (svart).....	Mulch plug (black)		
21	1				1117-3194-01	Lås ratt	Locking knob		
22	1				9997-0840-16	Skruv	Screw		
23	1				9675-0012-02	Starlock	Locking washer		
24	1				1134-5595-01	.NitmutterRiveting nut.....		
25	1				1134-5553-02	Ledskena- rak (svart).....	Guide plate- straight		
26	1				1134-5554-02	Ledskena- böjd (svart).....	Guide plate- curved		
27	4				9959-0816-16	Skruv	Screw		
28	4				9739-0831-22	Mutter.....	Nut		



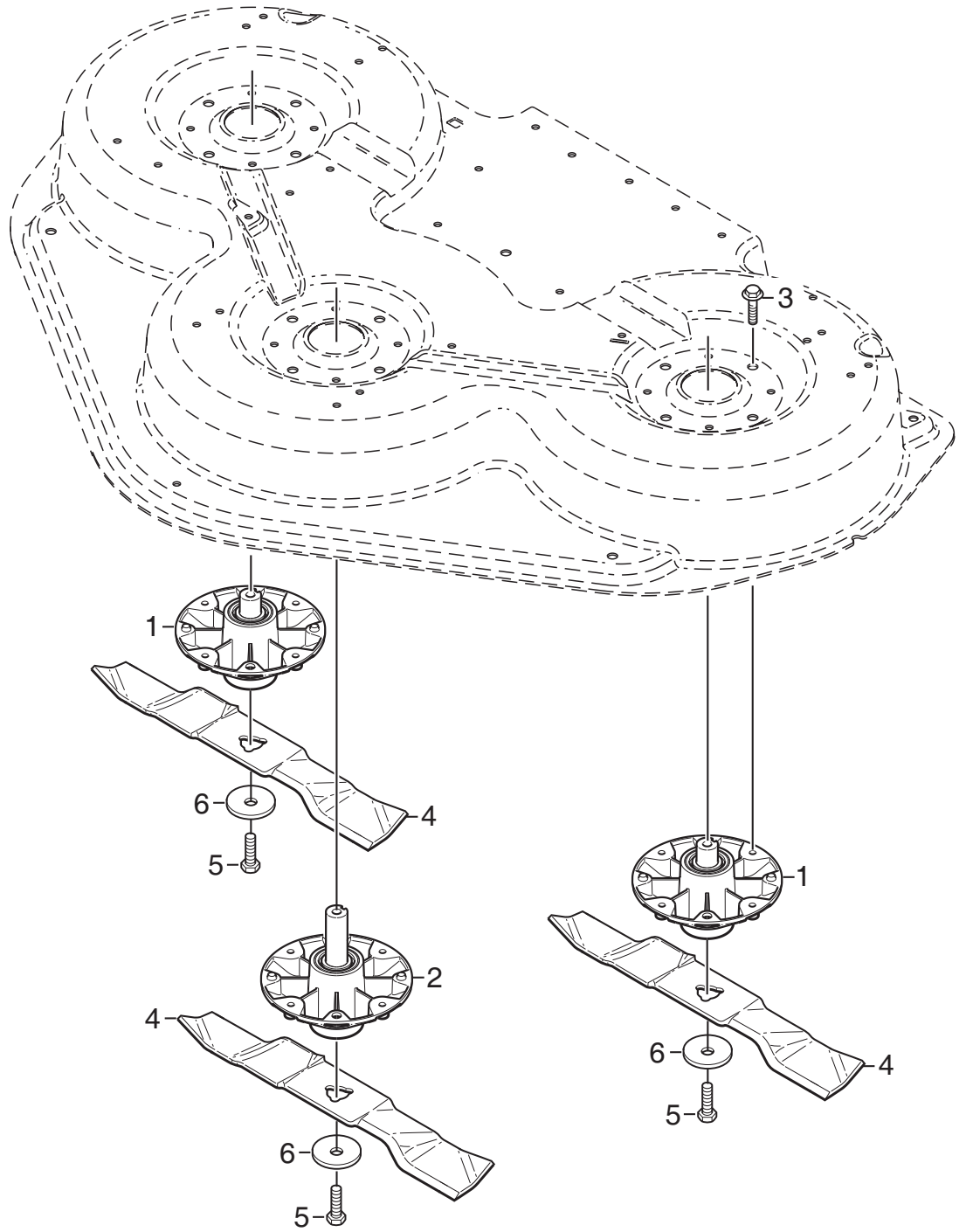
Utgåva Issue		Bildnr Picture No		TITAN KLIPPAGGREGAT 125H REGLAGE			MOWER DECK 125H CONTROLS		Sida Page 66	
Pos. Fig.	Antal/Quantity				Art nr Part No	Benämning	Description	Sats Kit	Anmärkning Notes	
1	1				1134-6416-01	Ställdon	Actuator		L = 810 mm	
1A	1				1134-6373-01	.KolvstångsändaRod end			
1B	1				1134-6418-03	.KabelCable			
1C	1				1134-6182-01	.HankontaktMale terminal			
3	1				9646-0098-22	Nit.....	Rivet.....			
5	1				9646-0105-22	Nit.....	Rivet.....			
6	2				9675-0012-02	Starlock	Locking washer.....			
7	1				1134-5981-01	Fäste	Bracket.....			
8	2				9959-0816-16	Skruv	Screw.....			
9	2				9739-0831-22	Mutter.....	Nut			
13	1				1134-7603-01	Bakaxel	Rear axle			
14	4				1134-5469-01	Lagerhalva	Bearing half			
15	2				1134-5471-01	Överfall- bakre	Bearing plate- rear			
16	4				9997-0845-12	Skruv	Screw			
17	4				9739-0831-22	Mutter.....	Nut			
18	2				1134-5473-01	Tryckstång.....	Push rod			
19	4				9570-0002-00	Vinkellänk	Elbow link			
20	4				9739-0831-22	Mutter.....	Nut			
21	1				1134-5855-01	Länkarm	Pivot arm			
22	1				1134-5858-01	Pivotfäste.....	Pivot shaft.....			
23	1				9997-0880-16	Skruv	Screw			
24	1				1134-5127-01	Bricka	Washer.....			
26	2				9959-0816-16	Skruv	Screw.....			
27	3				9739-0831-22	Mutter.....	Nut			
28	1				1134-5427-01	Framaxel.....	Front axle			
29	4				1134-5469-01	Lagerhalva.....	Bearing half			
30	1				1134-5846-01	Överfall- främre.....	Bearing plate- front			
31	4				9997-0845-12	Skruv	Screw.....			
32	4				9739-0831-22	Mutter.....	Nut			
34	4				9747-0831-02	Mutter.....	Lock nut.....			
35	1				1134-5847-01	Fjäder.....	Spring			
36	1				1134-7490-01	Fäste- vä	Bracket- LH			
37	1				1134-7490-02	Fäste- hö	Bracket- RH			
38	4				9959-0820-16	Skruv	Screw.....			
39	4				9739-0831-22	Mutter.....	Nut			

Utgåva Issue		Bildnr Picture No		TITAN KLIPPAGGREGAT 125H TRANSMISSION		MOWER DECK 125H TRANSMISSION		Sida Page 68	
Pos. Fig.	Antal/Quantity				Art nr Part No	Benämning	Description	Sats Kit	Anmärkning Notes
1	1				1137-0268-01	Transmissionskåpa	Transmission cover		
2	1				1134-7870-01	Transmissionskåpa	Transmission cover		
3	3				9893-0616-16	Skruv	Screw		
4	1				1137-0270-01	Täckkåpa	Cover		
6	1				1134-7518-01	Plastplugg	Plastic plug		
7	3				1137-0015-01	Remskiva	Belt pulley		
8	4				9600-0171-01	Plattkil	Flat key		6 x 6 x 25 mm
9	1				1134-5400-03	Distans	Spacer		L = 20 mm
10	3				1134-5406-01	Bricka	Washer		
11	3				1134-7517-01	Skruv	Screw		
12	1				1137-0017-01	Remskiva	Belt pulley		Ø = 150 mm
14	2				9893-0616-16	Skruv	Screw		
15	1				9699-0060-02	Planbricka	Flat washer		
16	2				9959-0816-16	Skruv	Screw		
17	2				9699-0109-02	Planbricka	Flat washer		
18	2				9739-0831-22	Mutter	Nut		
19	1				1134-7611-01	Spännrulle kpl.....	Tension roller assy		
20	3				9501-0500-00	Smörjnippel	Grease joint		
22	2				1134-7618-01	Distans	Spacer		
25	1				1134-0327-00	Kåpfjäder	Spring		
26	1				1134-5415-01	Fjäderfäste	Spring attachment		
27	1				9959-0816-16	Skruv	Screw		
28	1				9739-0831-22	Mutter	Nut		
30	1				1134-9087-01	Kilrem	V- belt		9585-0142-01
31	1				9585-0186-01	Kilrem	V- belt		
32	1				1134-7868-01	Hylla	Transm. plate		
33	1				9959-0820-16	Skruv	Screw		
34	1				9739-0831-22	Mutter	Nut		
35	1				1134-7610-01	Spännrulle kpl.....	Tension roller assy		
36	1				1134-7619-01	Fjäder	Spring		
37	1				1134-7871-01	Remskiva	Pulley		
39	1				9585-0187-01	Kilrem	V- belt		
40	1				1134-7869-01	Motorfäste	Motor bracket		
41	4				9945-0825-16	Skruv	Screw		
42	1				1134-7618-01	Distans	Spacer		
43	4				9924-0830-16	Skruv	Screw		
44	4				9747-0831-02	Mutter	Nut		
45	1				1134-7518-01	Plastplugg	Plastic plug		





Utgåva Issue		Bildnr Picture No		TITAN KLIPPAGGREGAT 125H MOTORHYDRAULIK		MOWER DECK 125H MOTOR HYDRAULIC		Sida Page	
2011-16		2362						70	
Pos. Fig.	Antal/Quantity				Art nr Part No	Benämning	Description	Sats Kit	Anmärkning Notes
1	1				1134-7329-01	Hydraulmotor	Hydraulic motor		
1A	1				1139-0009-01	.Kil	Key		
1B	1				1139-0007-01	.BrickaWasher		
1C	1				1139-0008-01	.MutterNut		
2	2				1134-7315-01	Adapter	Hydraulic connector		
3	2				1134-7630-01	Hydraulslang 1/2"	Hydraulic tube 1/2"		
4	2				1134-7161-01	Adapter	Hydraulic connector		
5	1				1134-7182-01	Snabbkoppling- hona	Quick coupling- female		
6	1				1134-7181-01	Snabbkoppling- hane	Quick coupling- male		
7	1				1134-5806-01	Vinkeladapter	Angle coupling		
8	1				1137-0188-02	Hydraulslang 1/4"	Hydraulic tube 1/4"		
9	1				1134-4948-01	Tredobricka	Seal washer		
10	1				1134-7172-01	Snabbkoppling- hona	Quick coupling- female		





Utgåva Issue		Bildnr Picture No		TITAN KLIPPAGGREGAT 125H KNIVAR		MOWER DECK 125H BLADES		Sida Page 72	
Pos. Fig.	Antal/Quantity				Art nr Part No	Benämning	Description	Sats Kit	Anmärkning Notes
1	2				1134-7513-01 Lagerbox kpl.....	Bearing box assy.....		Kit of 3/sats 3 st	
2	1				1134-7513-02 Lagerbox kpl.....	Bearing box assy.....			
3	12				9945-0825-16 Skruv.....	Screw.....			
4	1				1134-9125-01 Knivsats.....	Blade kit.....			
5	3				9997-1060-12 Skruv.....	Screw.....			
6	3				1134-6211-01 Knivbricka.....	Blade washer.....			