

1- **KTM10F Transmission**

**KTM10F Seal Kit**

**Kit Includes**

#15	#29
#19	#72
#23	#99
#28	

All parts may not be used.

**KTM10F Repair Kit**

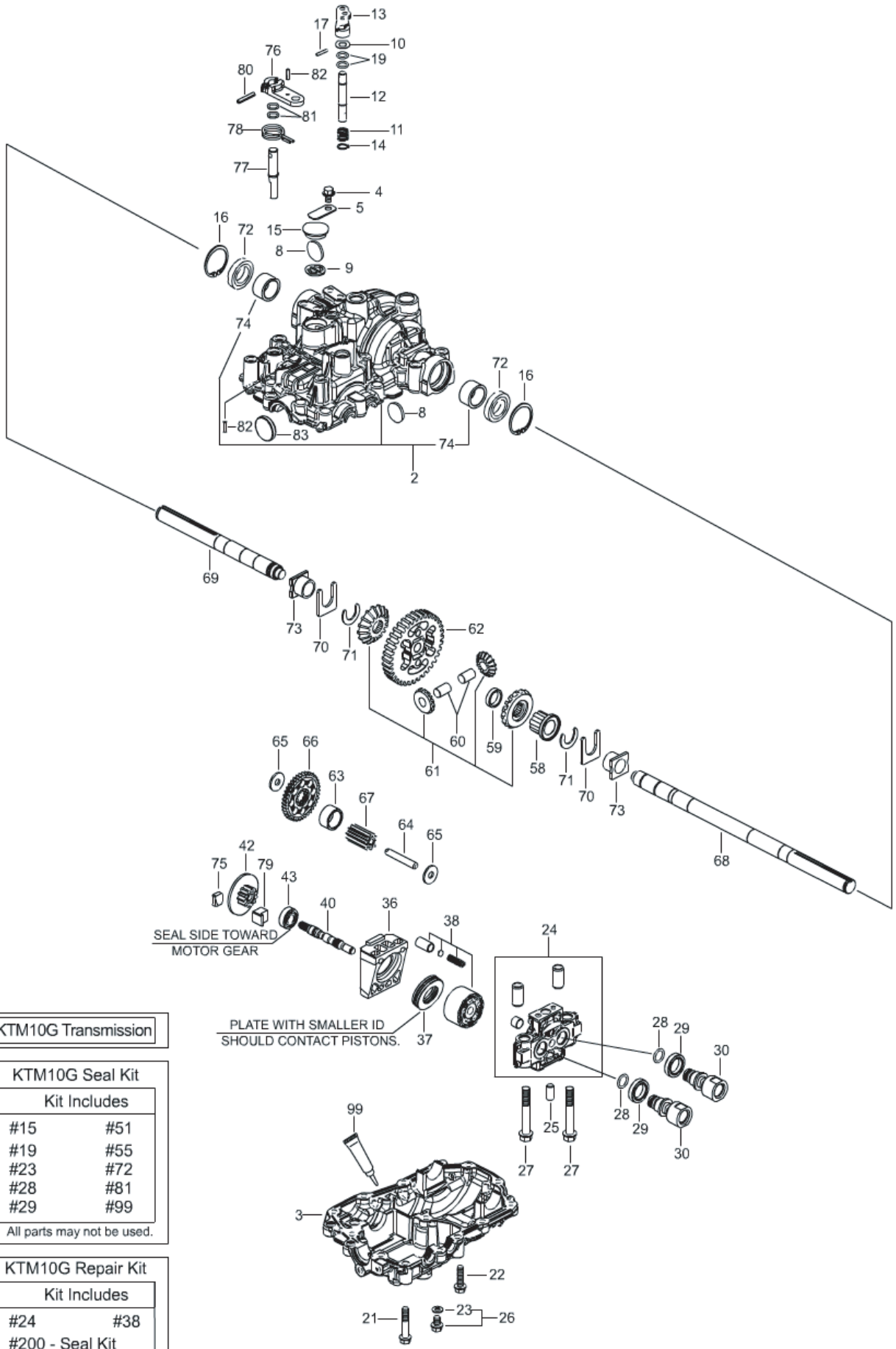
**Kit Includes**

#24	#38
#200 - Seal Kit	

All parts may not be used.

Utgåva Issue		Bildnr Picture No		KANZAKI TRANSAXEL KTM 10F (s/n 0000001-9999999)		KANZAKI TRANSAXLE KTM 10F (s/n 0000001-9999999)		Sida Page	
2011-11		2216						446	
Pos. Fig.	Antal/Quantity				Art nr Part No	Benämning	Description	Sats Kit	Anmärkning Notes
	KTM 10F								
1	1				1134-5702-01	Motoraxel- fram .....	Motor shaft- front.....		Kanzaki KTM 10F Inkl. pos 74
2	1				1139-1604-01	Hus- övre .....	Housing- upper .....		
3	1				1139-1418-01	Hus- nedre .....	Housing- lower .....		
4	1				1139-1123-01	Bult .....	Bolt .....		
5	1				1139-1603-01	Glidplåt .....	Skid plate .....		
8	2				1139-1150-01	Magnet .....	Magnet .....		
9	1				1139-1341-01	Hållare- magnet .....	Holder- magnet .....		
10	1				1139-1388-01	Bricka .....	Washer .....		
11	1				1139-1421-01	Fjäder .....	Spring .....		
12	1				1139-1420-01	By- passaxel.....	By- pass shaft .....		
13	1				1139-1189-01	Arm- bypass .....	Lever- bypass .....		
14	1				1139-1391-01	Låsring .....	Ring .....		
15	1				1139-1275-01	• Plugg .....	• Bore plug .....	S	
16	2				1139-1444-01	Låsring 42 .....	Ring 42 .....		
17	1				1139-1280-01	Stift .....	Pin .....		
19	2				1139-1114-01	• O- ring.....	• O- ring .....	S	
21	3				1139-1291-01	Bult .....	Bolt .....		
22	11				1139-1448-01	Bult .....	Bolt .....		
23	1				1139-1103-01	• Tätningbricka .....	• Seal washer .....	S	
24	1				1139-1723-01	Centrumhus .....	Center case .....		
25	1				1139-1445-01	Tapp .....	Pin .....		
26	1				1139-1500-01	Dräneringsskruv .....	Drain bolt kit .....		
27	2				1139-1449-01	Bult .....	Bolt .....		
28	2				1139-1446-01	• Packning .....	• Packing .....	S	
29	2				1139-1447-01	• Tätningsring .....	• Seal .....	S	
30	2				1139-1424-01	Anslutning .....	Connector .....		
36	1				1139-1504-01	Motorhus .....	Motor housing .....		
37	1				1139-1438-01	Lager .....	Bearing .....		
38	1				1139-1509-01	Cylinderblock kpl .....	Cylinder block kit .....		
40	1				1139-1425-01	Motoraxel .....	Motor shaft .....		
42	1				1139-1442-01	Motordrev .....	Motor gear .....		
43	1				1139-1453-01	Lager .....	Bearing .....		
58	1				1139-1330-01	Hylsa .....	Collar .....		
59	1				1139-1435-01	Hylsa .....	Collar .....		
60	1				1139-1440-01	Axel .....	Pin .....		
61	1				1139-1439-01	Differentialdrev kpl .....	Differential gear kit.....		
62	1				1139-1429-01	Slutdrev .....	Final gear .....		
63	1				1139-1427-01	Hylsa .....	Collar .....		
64	1				1139-1256-01	Reduktionsaxel .....	Reduction shaft.....		
65	2				1139-1398-01	Bricka .....	Washer .....		
66	1				1139-1441-01	Reduktionsdrev .....	Reduction gear.....		
67	1				1139-1361-01	Slutdrev .....	Final pinion .....		
68	1				1139-1432-01	Hjulaxel.....	Axle .....		
69	1				1139-1431-01	Hjulaxel.....	Axle .....		
70	2				1139-1194-01	Tryckbricka .....	Thrust washer .....		
71	2				1139-1155-01	Låsring .....	Ring .....		
72	2				1139-1044-01	• Tätning .....	• Seal .....	S	
73	2				1139-1156-01	Bussning .....	Bushing.....		
74	2				1139-1415-01	• Bussning.....	• Bushing.....		
75	1				1139-1260-01	Bromssko .....	Brake shoe .....		
83	1				1139-1450-01	Tätningshuv.....	Sealing cap .....		
99	1				1139-1443-01	• Tätningsmedel.....	• Sealant.....	S	
200	1				1139-1436-01	Servicesats.....	Seal kit .....		
									Märkta S/Marked S

X



- 1 KTM10G Transmission
- 200 KTM10G Seal Kit
 

Kit Includes	
#15	#51
#19	#55
#23	#72
#28	#81
#29	#99

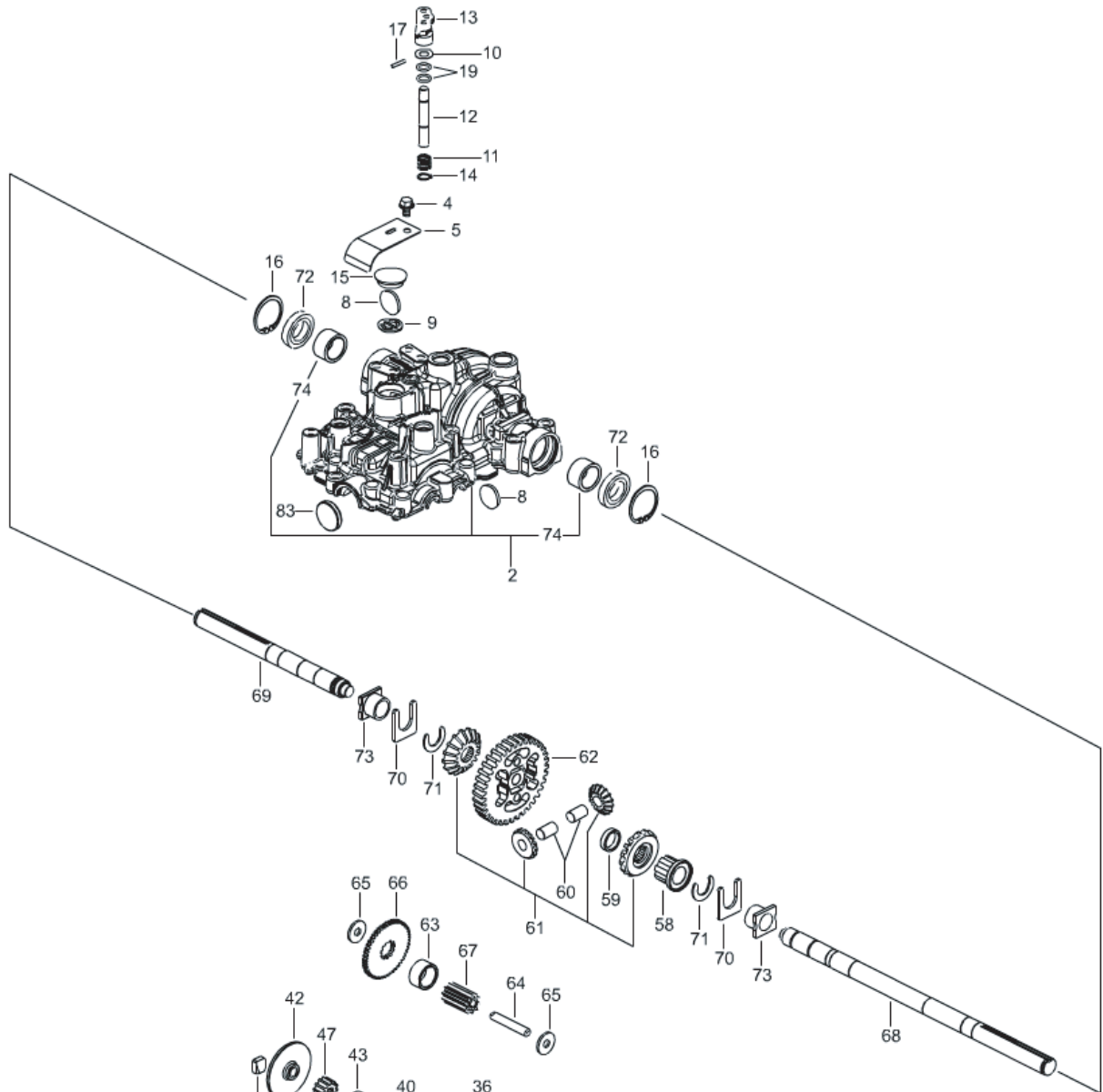
All parts may not be used.
- 201 KTM10G Repair Kit
 

Kit Includes	
#24	#38
#200 - Seal Kit	

All parts may not be used.

Utgåva Issue		Bildnr Picture No		KANZAKI TRANSAXEL KTM 10G (s/n 0000001-9999999)		KANZAKI TRANSAXLE KTM 10G (s/n 0000001-9999999)		Sida Page		
2011-11		2217						448		
Pos. Fig.	Antal/Quantity				Art nr Part No	Benämning	Description	Sats Kit	Anmärkning Notes	
	KTM 10G									
1	1				1134-5701-01	Motoraxel- bak.....	Motor shaft- rear.....		Kanzaki KTM 10G Inkl. pos 74	
2	1				1139-1607-01	Hus- övre.....	Housing- upper.....			
3	1				1139-1418-01	Hus- nedre.....	Housing- lower.....			
4	1				1139-1123-01	Bult.....	Bolt.....			
5	1				1139-1383-01	Plåt.....	Vent port plate.....			
8	2				1139-1150-01	Magnet.....	Magnet.....			
9	1				1139-1341-01	Hållare- magnet.....	Holder- magnet.....			
10	1				1139-1388-01	Bricka.....	Washer.....			
11	1				1139-1421-01	Fjäder.....	Spring.....			
12	1				1139-1420-01	By- passaxel.....	By- pass shaft.....			
13	1				1139-1189-01	Arm- bypass.....	Lever- bypass.....			
14	1				1139-1391-01	Låsring.....	Ring.....			
15	1				1139-1275-01	• Plugg.....	• Bore plug.....	S		
16	2				1139-1444-01	Låsring 42.....	Ring 42.....			
17	1				1139-1280-01	Stift.....	Pin.....			
19	2				1139-1114-01	• O- ring.....	• O- ring.....	S		
21	3				1139-1291-01	Bult.....	Bolt.....			
22	11				1139-1448-01	Bult.....	Bolt.....			
23	1				1139-1103-01	• Tättningsbricka.....	• Seal washer.....	S		
24	1				1139-1723-01	Centrumhus.....	Center case.....			
25	1				1139-1445-01	Tapp.....	Pin.....			
26	1				1139-1500-01	Dräneringsskruv.....	Drain bolt kit.....			
27	2				1139-1449-01	Bult.....	Bolt.....			
28	2				1139-1446-01	• Packning.....	• Packing.....	S		
29	2				1139-1447-01	• Tättningsring.....	• Seal.....	S		
30	2				1139-1423-01	Anslutning.....	Connector.....			
36	1				1139-1504-01	Motorhus.....	Motor housing.....			
37	1				1139-1438-01	Lager.....	Bearing.....			
38	1				1139-1509-01	Cylinderblock kpl.....	Cylinder block kit.....			
40	1				1139-1425-01	Motoraxel.....	Motor shaft.....			
42	1				1139-1442-01	Motordrev.....	Motor gear.....			
43	1				1139-1453-01	Lager.....	Bearing.....			
58	1				1139-1531-01	Hylsa.....	Collar.....			
59	1				1139-1435-01	Hylsa.....	Collar.....			
60	1				1139-1440-01	Axel.....	Pin.....			
61	1				1139-1439-01	Differentialdrev kpl.....	Differential gear kit.....			
62	1				1139-1429-01	Slutdrev.....	Final gear.....			
63	1				1139-1427-01	Hylsa.....	Collar.....			
64	1				1139-1256-01	Reduktionsaxel.....	Reduction shaft.....			
65	2				1139-1398-01	Bricka.....	Washer.....			
66	1				1139-1441-01	Reduktionsdrev.....	Reduction gear.....			
67	1				1139-1361-01	Slutdrev.....	Final pinion.....			
68	1				1139-1434-01	Hjulaxel.....	Axle.....			
69	1				1139-1433-01	Hjulaxel.....	Axle.....			
70	2				1139-1194-01	Tryckbricka.....	Thrust washer.....			
71	2				1139-1155-01	Låsring.....	Ring.....			
72	2				1139-1044-01	• Tätning.....	• Seal.....	S		
73	2				1139-1156-01	Bussning.....	Bushing.....			
74	2				1139-1415-01	• Bussning.....	• Bushing.....			
75	1				1139-1260-01	Bromssko.....	Brake shoe.....			
76	1				1139-1261-01	Bromsarm.....	Brake arm.....			
77	1				1139-1320-01	Bromsaxel.....	Brake shaft.....			
78	1				1139-1263-01	Returfjäder.....	Return spring.....			
79	1				1139-1264-01	Bromstryckare.....	Brake actuator.....			
80	1				1139-1282-01	Stift.....	Pin.....			
81	2				1139-1114-01	• O- ring.....	• O- ring.....	S		
82	2				1139-1281-01	Stift.....	Pin.....			
83	1				1139-1450-01	Tättningshuv.....	Sealing cap.....			
99	1				1139-1443-01	• Tättningsmedel.....	• Sealant.....	S		
200	1				1139-1437-01	Servicesats.....	Seal kit.....			
										Märkta S/Marked S

X



SEAL SIDE TOWARD  
MOTOR GEAR

PLATE WITH SMALLER ID  
SHOULD CONTACT PISTONS.

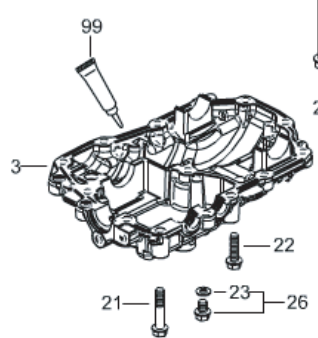
- 1- KTM10M Transmission
- 200- KTM10M Seal Kit
 

Kit Includes	
#15	#29
#19	#72
#23	#99
#28	

All parts may not be used.
- 201- KTM10M Repair Kit
 

Kit Includes	
#24	#38
#200 - Seal Kit	

All parts may not be used.



Utgåva Issue		Bildnr Picture No		KANZAKI TRANSAXEL KTM 10M (s/n 0000001-9999999)		KANZAKI TRANSAXLE KTM 10M (s/n 0000001-9999999)		Sida Page	
2011-11		2218						450	
Pos. Fig.	Antal/Quantity				Art nr Part No	Benämning	Description	Sats Kit	Anmärkning Notes
	KTM 10M								
1	1				1134-6029-01	Motoraxel- fram .....	Transaxle- front .....		Kanzaki KTM 10M Pos 74 incl.
2	1				1139-1604-01	Hus- övre .....	Housing- upper .....		
3	1				1139-1418-01	Hus- nedre .....	Housing- lower .....		
4	1				1139-1123-01	Bult .....	Bolt .....		
5	1				1139-1603-01	Glidplåt .....	Skid plate .....		
8	2				1139-1150-01	Magnet .....	Magnet .....		
9	1				1139-1341-01	Hållare- magnet .....	Holder- magnet .....		
10	1				1139-1388-01	Bricka .....	Washer .....		
11	1				1139-1421-01	Fjäder .....	Spring .....		
12	1				1139-1420-01	By- passaxel .....	By- pass shaft .....		
13	1				1139-1189-01	Arm- bypass .....	Lever- bypass .....		
14	1				1139-1391-01	Låsring .....	Ring .....		
15	1				1139-1275-01	• Plugg .....	• Bore plug .....	S	
16	2				1139-1444-01	Låsring 42 .....	Ring 42 .....		
17	1				1139-1280-01	Stift .....	Pin .....		
19	2				1139-1114-01	• O- ring .....	• O- ring .....	S	
21	3				1139-1291-01	Bult .....	Bolt .....		
22	11				1139-1448-01	Bult .....	Bolt .....		
23	1				1139-1103-01	• Tätningbricka .....	• Seal washer .....	S	
24	1				1139-1723-01	Centrumhus .....	Center case .....		
25	1				1139-1445-01	Tapp .....	Pin .....		
26	1				1139-1500-01	Dräneringsskruv .....	Drain bolt kit .....		
27	2				1139-1449-01	Bult .....	Bolt .....		
28	2				1139-1446-01	• Packning .....	• Packing .....	S	
29	2				1139-1447-01	• Tätningsring .....	• Seal .....	S	
30	2				1139-1424-01	Anslutning .....	Connector .....		
36	1				1139-1504-01	Motorhus .....	Motor housing .....		
37	1				1139-1438-01	Lager .....	Bearing .....		
38	1				1139-1509-01	Cylinderblock kpl .....	Cylinder block kit .....		
40	1				1139-1425-01	Motoraxel .....	Motor shaft .....		
42	1				1139-1451-01	Bromsskiva .....	Brake disc .....		
43	1				1139-1453-01	Lager .....	Bearing .....		
47	1				1139-1426-01	Motordrev .....	Motor gear .....		
58	1				1139-1330-01	Hylsa .....	Collar .....		
59	1				1139-1435-01	Hylsa .....	Collar .....		
60	1				1139-1440-01	Axel .....	Pin .....		
61	1				1139-1439-01	Differentialdrev kpl .....	Differential gear kit .....		
62	1				1139-1429-01	Slutdrev .....	Final gear .....		
63	1				1139-1427-01	Hylsa .....	Collar .....		
64	1				1139-1256-01	Reduktionsaxel .....	Reduction shaft .....		
65	2				1139-1398-01	Bricka .....	Washer .....		
66	1				1139-1430-01	Reduktionsdrev .....	Reduction gear .....		
67	1				1139-1361-01	Slutdrev .....	Final pinion .....		
68	1				1139-1432-01	Hjulaxel .....	Axle .....		
69	1				1139-1431-01	Hjulaxel .....	Axle .....		
70	2				1139-1194-01	Tryckbricka .....	Thrust washer .....		
71	2				1139-1155-01	Låsring .....	Ring .....		
72	2				1139-1044-01	• Tätning .....	• Seal .....	S	
73	2				1139-1156-01	Bussning .....	Bushing .....		
74	2				1139-1415-01	• Bussning .....	• Bushing .....		
75	1				1139-1260-01	Bromssko .....	Brake shoe .....		
83	1				1139-1450-01	Tätningshuv .....	Sealing cap .....		
99	1				1139-1443-01	• Tätningmedel .....	• Sealant .....	S	
200	1				1139-1436-01	Servicesats .....	Seal kit .....		

X

Märkta S/Marked S