

Genuine Spare Parts

www.stiga.com

PARK Mower Deck 100 Combi3 Model Year 2011

includes:

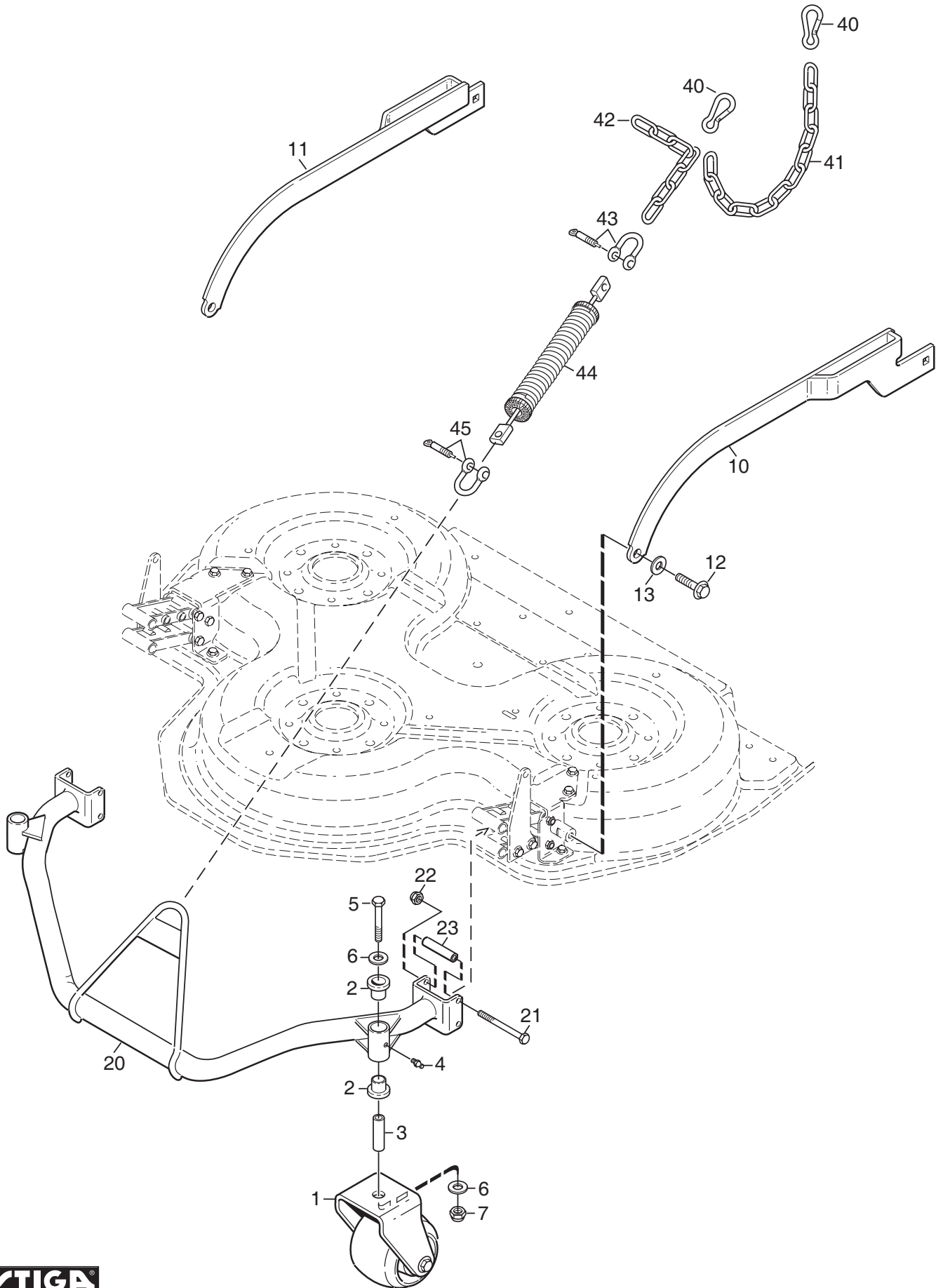
- 13-2977-31 Mower deck 100 Combi 3
- 13-2978-31 Mower deck 100 Combi 3

- Use GLOBAL GARDEN PRODUCT Genuine Spare Parts specified in the parts list for repair and/or replacement.
- The contents described in the parts list may change due to improvement.
- The drawings of the spare parts are only indicative and might not represent the part in question exactly.
- The indications "right" - "left" - "front" - "rear" refer to the position of the operator when using the machine.
- When placing orders of parts for repair and/or replacement, make sure that the illustrated parts list is the one applying to the machine's year of manufacture, as shown on the identification plate attached to the machine.

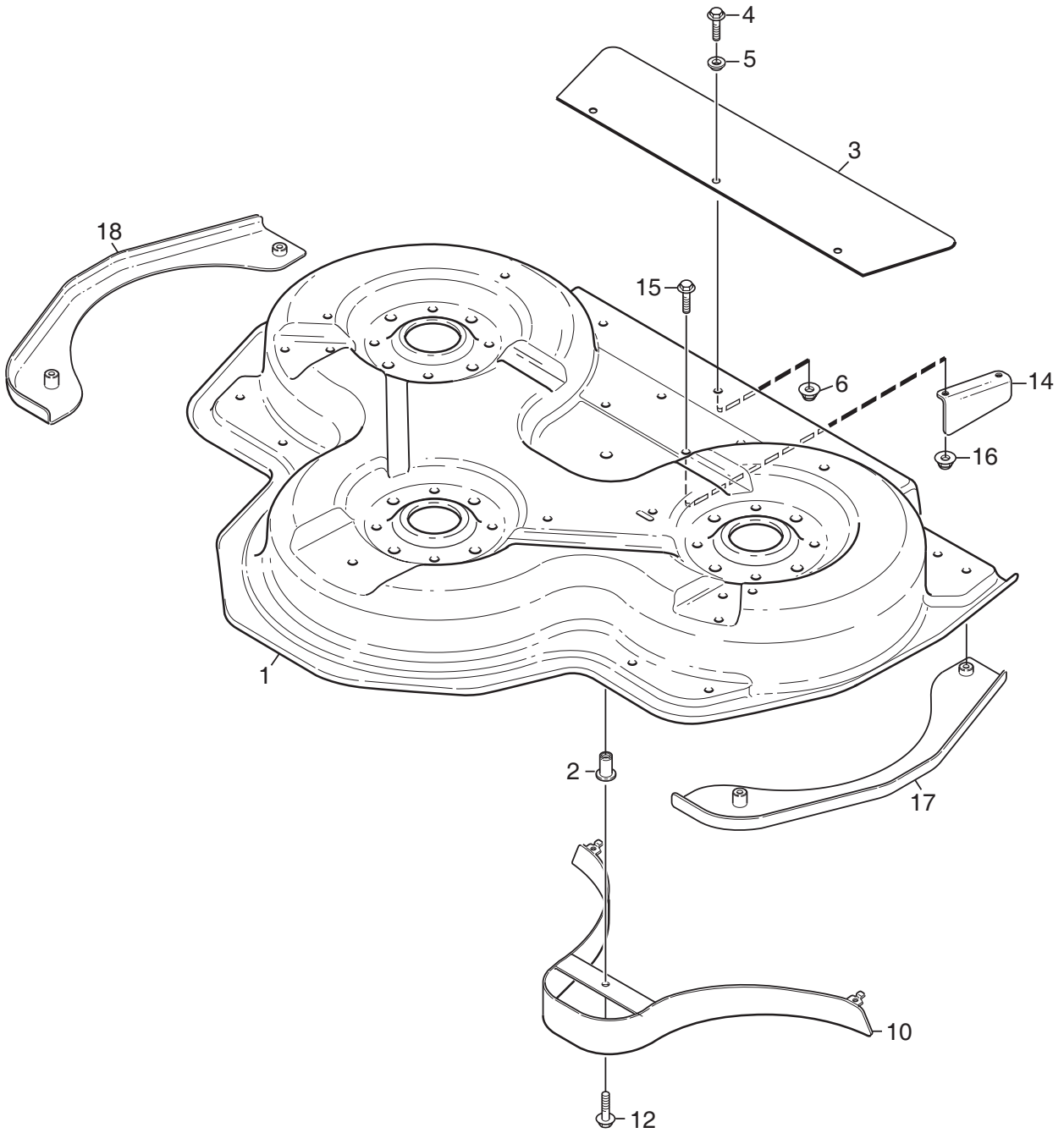
COPYRIGHT by GLOBAL GARDEN PRODUCTS

All rights reserved. No part of this material may be reproduced or transmitted, in any form or by any means, electronic or mechanical, including photocopying, recording or by any information storage and retrieval system, without permission in writing from GLOBAL GARDEN PRODUCTS.

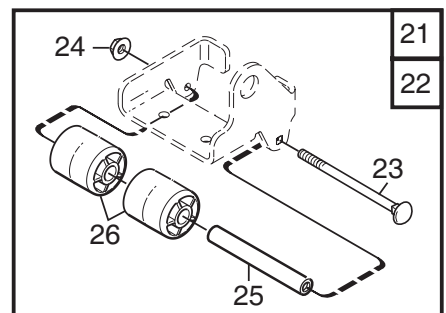
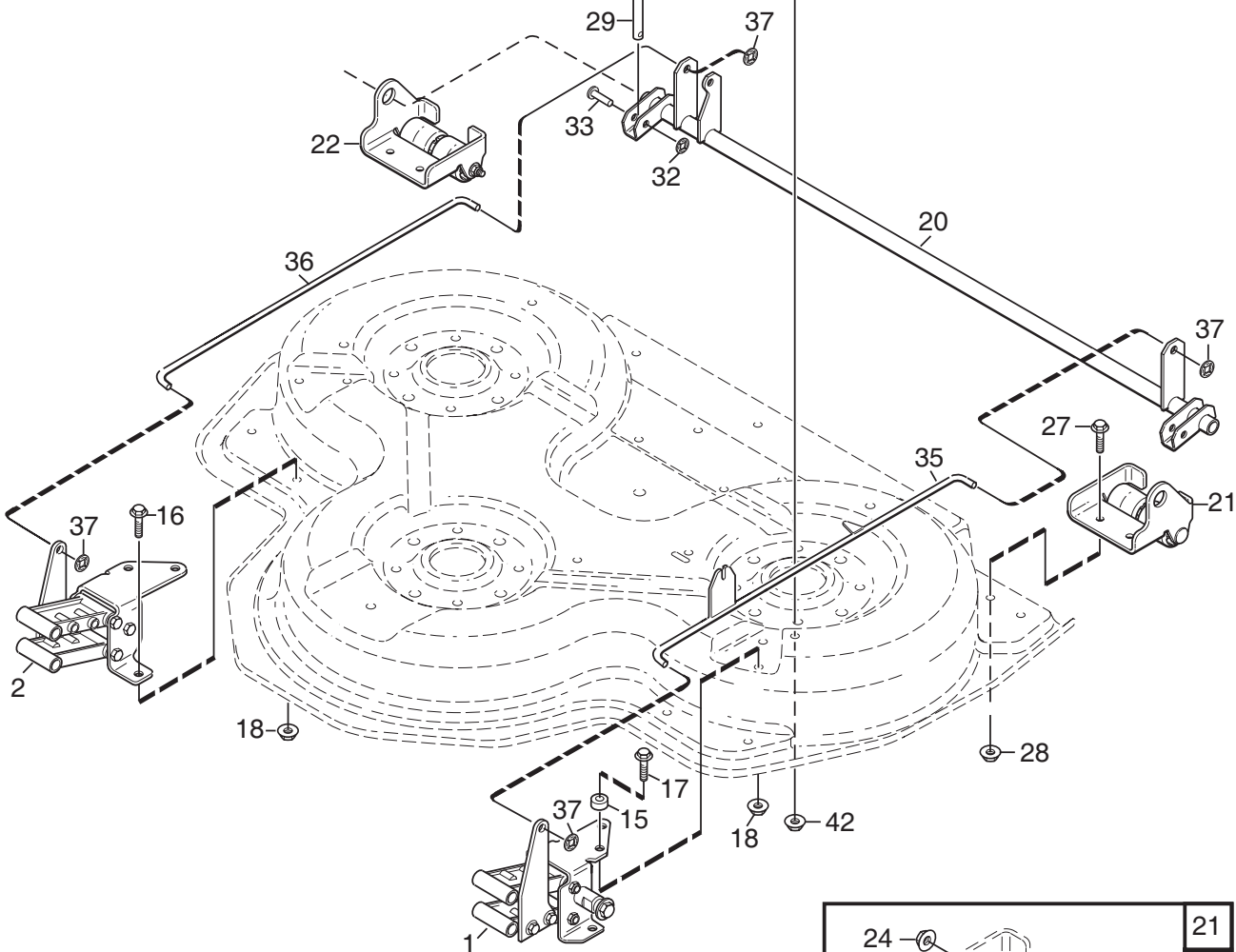
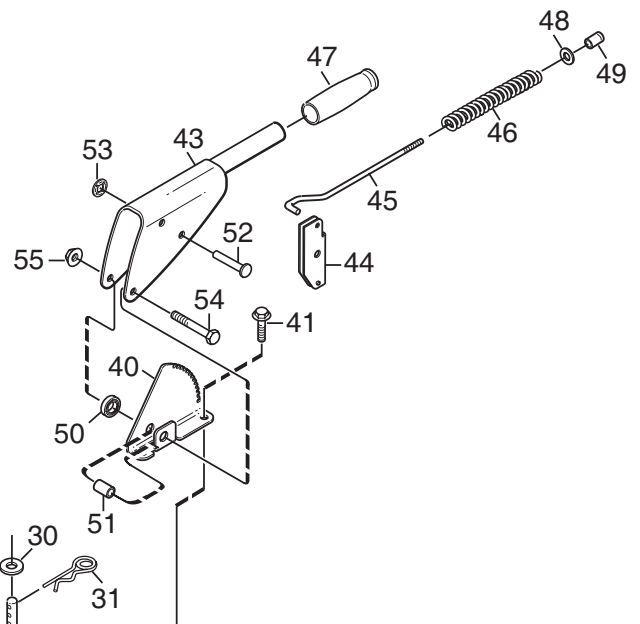
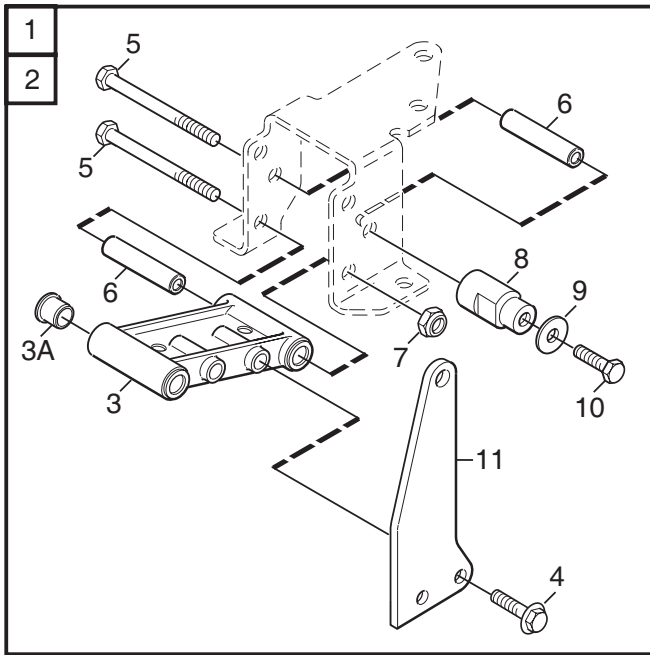




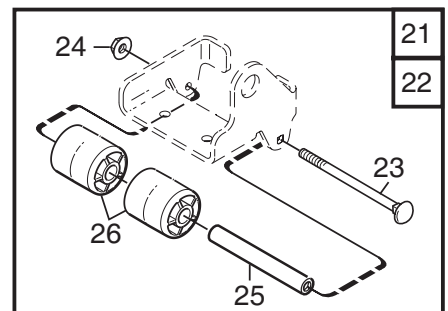
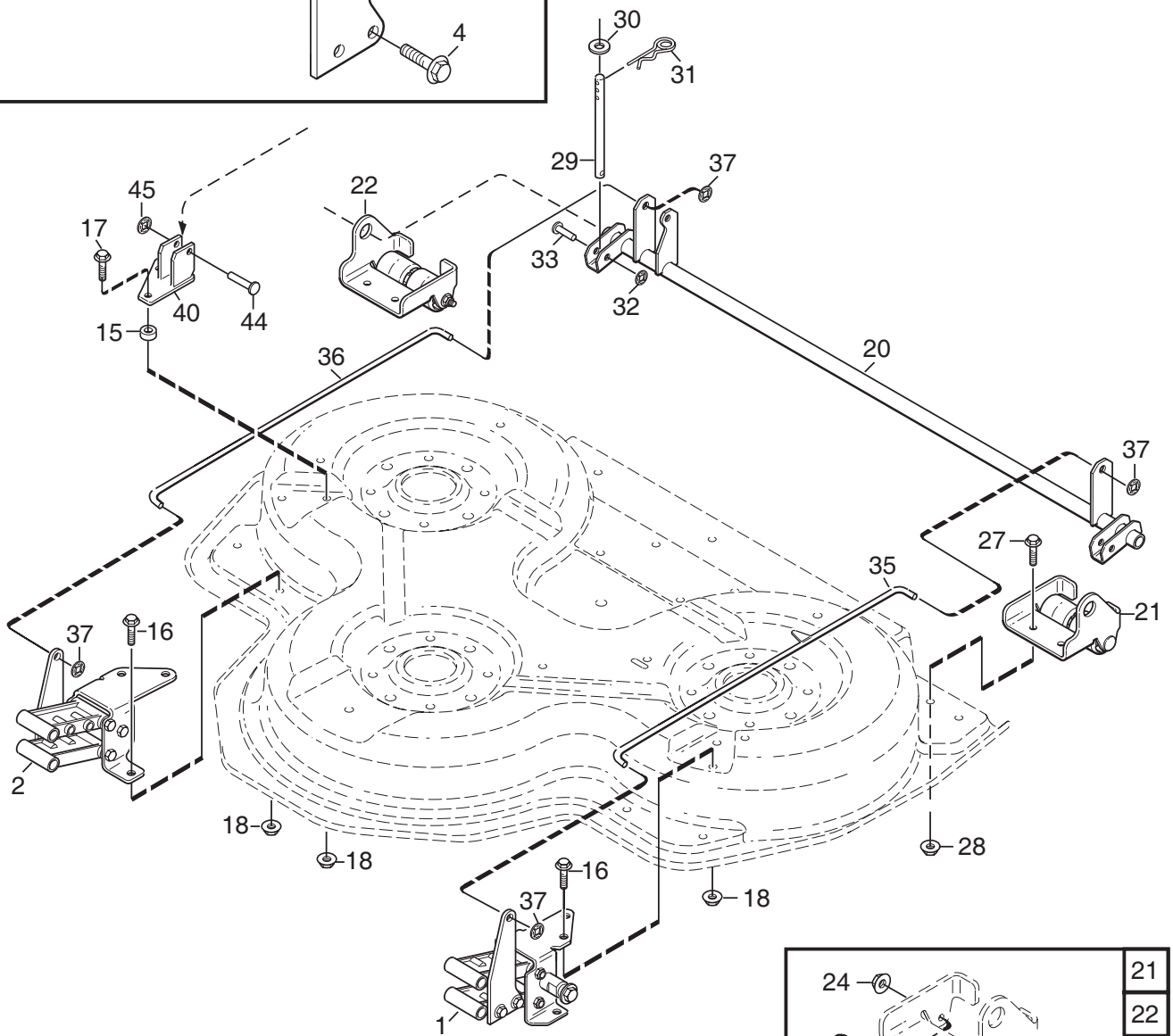
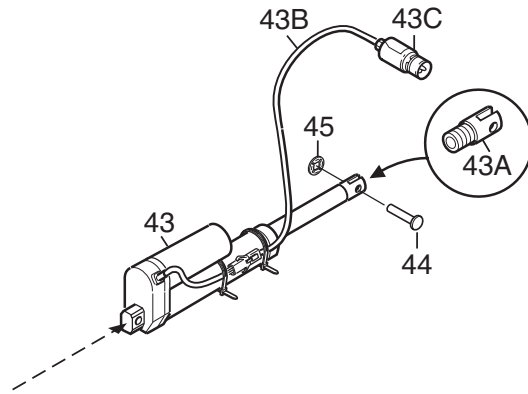
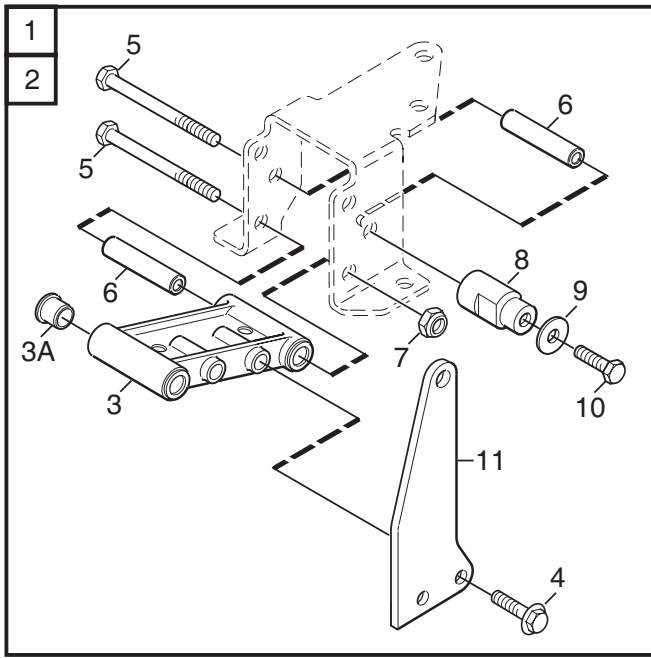
Utgåva Issue 2011-11		Bildnr Picture No 2760		PARK KLIPPAGGREGAT 100 COMBI 3 RAM		PARK MOWER DECK 100 COMBI 3 FRAME		Sida Page 204	
Pos. Fig.	Antal/Quantity				Art nr Part No	Benämning	Description	Sats Kit	Anmärkning Notes
	2977 2978 -31								
	1	2			1134-5884-01	Pivothjul	Pivot wheel		
	2	1			1134-9026-01	Lagerbussning	Bearing bush kit		Sats 4 st/kit of 4
	3	2			1134-5677-01	Distans	Spacer		
	4	2			9501-0500-00	Smörjnippel	Grease joint		
	5	2			9997-1090-12	Skruv	Screw		
	6	4			9699-0030-02	Planbricka	Flat washer		
	7	2			9747-1031-02	Låsmutter	Lock nut		
X	10	1			1137-0166-01	Aggregatsarm- vä	Mower deck arm- LH		
X	11	1			1137-0166-02	Aggregatsarm- hö	Mower deck arm- RH		
	12	2			9959-0816-16	Skruv	Screw		
	13	2			9699-0056-02	Planbricka	Flat washer		
X	20	1			1137-0141-01	Frontrör	Front tube		
	21	4			9997-0880-16	Skruv	Screw		
	22	4			9747-0831-02	Mutter	Lock nut		
X	23	4			1137-0151-01	Axel	Axle		
	40	2			1134-5528-01	Karbinhake	Snap hook		
	41	1			1134-6368-03	Kedja	Chain		12 links
	42	1			1134-6368-02	Kedja	Chain		7 links
	43	1			1134-2629-01	Lyftlänk	Lift link		
	44	1			1134-6365-02	Lyftfjäder	Lift spring		
	45	1			1134-2629-01	Lyftlänk	Lift link		

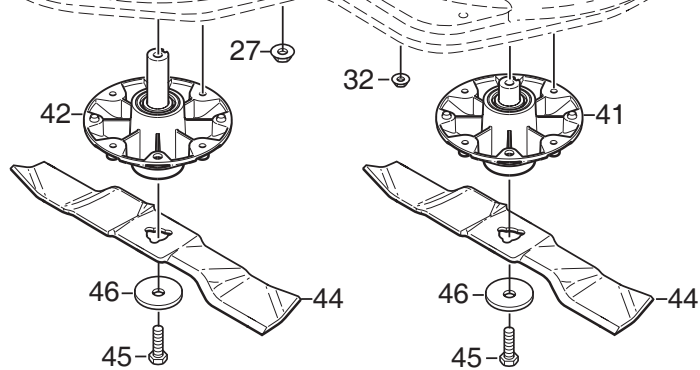
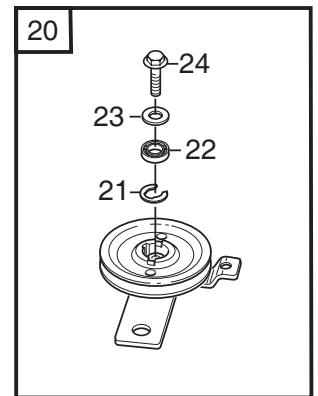
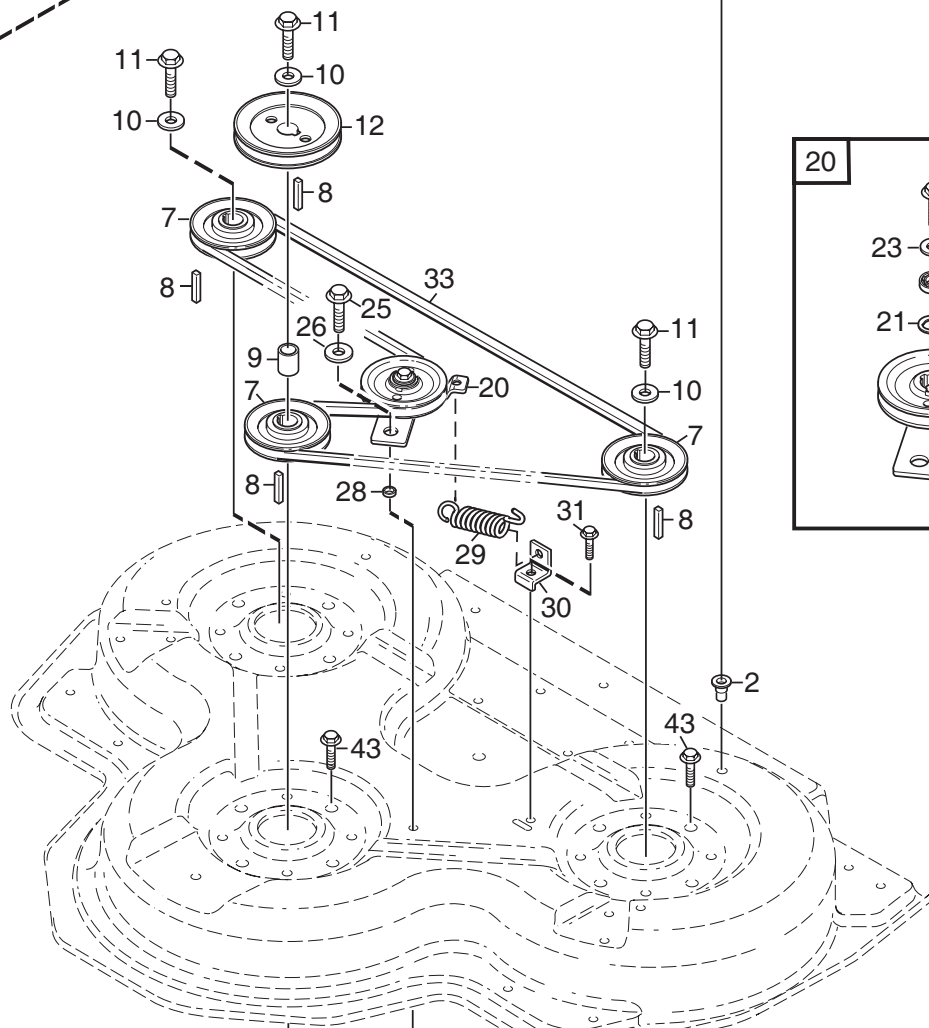
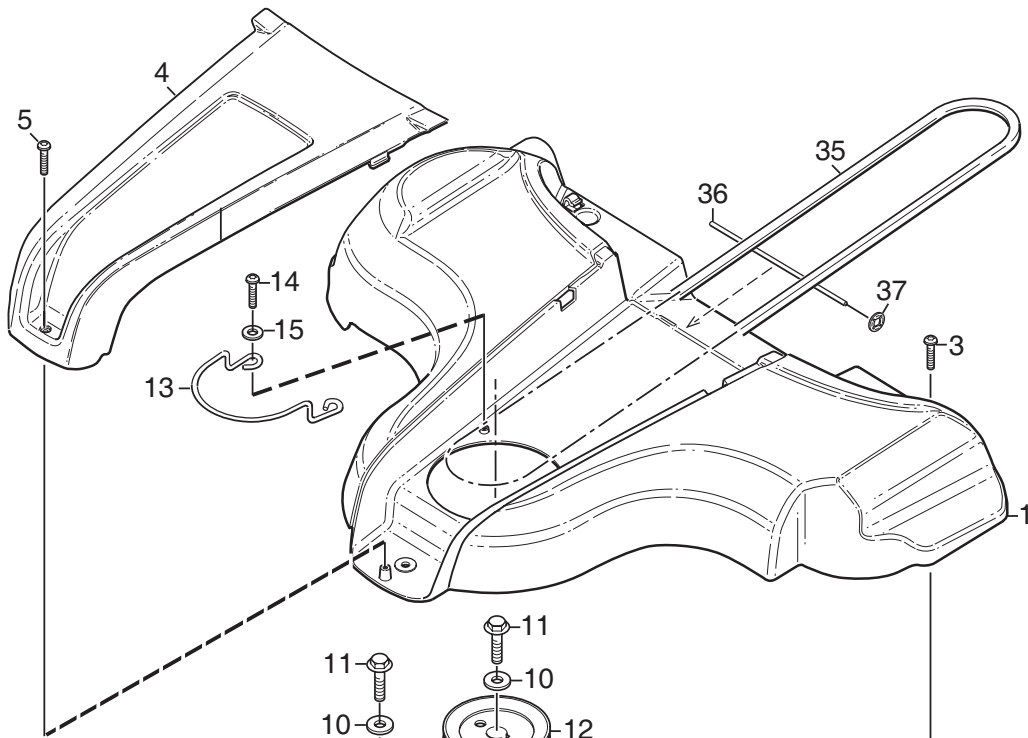


Utgåva Issue 2011-11		Bildnr Picture No 2759		PARK KLIPPAGGREGAT 100 COMBI 3 KÅPA		PARK MOWER DECK 100 COMBI 3 CASING		Sida Page 206	
Pos. Fig.	Antal/Quantity				Art nr Part No	Benämning	Description	Sats Kit	Anmärkning Notes
	2977 2978 -31								
X	1	1			1137-0140-01	Kåpa	Mower deck casing		Inkl. pos 2
	2	1			1134-5595-01	• Nitmutter	• Riveting nut		
	3	1			1134-6281-03	Gummiskydd	Rubber guard		
	4	3			9959-0816-16	Skruv	Screw		
	5	3			1134-4185-01	Ansatsbricka	Flange washer		
	6	3			9739-0831-22	Mutter	Nut		
X	10	1			1137-0163-01	Mulcherplugg	Mulching plug		
	12	1			9959-0816-16	Skruv	Screw		
X	14	2			1137-0244-01	Ledskena	Guide plate		
	15	4			9945-0825-16	Skruv	Screw		
	16	4			9739-0831-22	Mutter	Nut		
X	17	1			1137-0245-01	Slitskydd- vä	Wear plate- LH		
X	18	1			1137-0245-02	Slitskydd- hö	Wear plate- RH		
	99	1			1134-5594-02	Dekalsats	Label kit		



Utgåva Issue		Bildnr Picture No		PARK KLIPPAGGREGAT 100 COMBI 3 REGLAGE		PARK MOWER DECK 100 COMBI 3 CONTROLS		Sida Page	
2011-11		2761						208	
Pos. Fig.	Antal/Quantity				Art nr Part No	Benämning	Description	Sats Kit	Anmärkning Notes
	2977 -31								
X	1	1			1137-0201-01	Länksystem- vä.....	Linkage- LH		Inkl. pos 3 - 11
X	2	1			1137-0201-02	Länksystem- hö	Linkage- RH		Inkl. pos 3 - 11
X	3	2			1137-0199-01	• Länkmarm	• Slewing bracket.....		Inkl. pos 3A
X	3A	1			1134-9155-01	•• Bussning	•• Bushing		Sats 8 st/kit of 8
	4	2			9997-0820-16	• Skruv	• Screw		
	5	3			9997-0880-16	• Skruv	• Screw		
X	6	3			1137-0151-01	• Axel.....	• Axle		
	7	2			9747-0831-02	• Mutter	• Lock nut		
X	8	1			1137-0154-01	• Distans	• Spacer		
	9	1			9699-0056-02	• Planbricka	• Flat washer		
	10	1			9997-0820-16	• Skruv	• Screw		
X	11	1			1137-0200-01	• Pivotplatta.....	• Pivot plate		
X	15	1			1137-0155-01	Distans	Spacer		
	16	8			9959-0816-16	Skruv	Screw		
	17	1			9997-0840-12	Skruv	Screw		
	18	9			9739-0831-22	Mutter	Nut		
	20	1			1134-6197-01	Bakaxel- gul	Rear axle- yellow		
	21	1			1134-6282-01	Rulle- vä, m- fäste	Roller- LH, w/bracket		Inkl. pos 22 - 26
	22	1			1134-6282-02	Rulle- hö, m- fäste	Roller- RH, w/bracket		Inkl. pos 22 - 26
	23	1			9897-0813-02	• Skruv	• Screw		
	24	1			9739-0831-22	• Mutter	• Nut		
	25	1			1134-4318-01	• Hylsa	• Wheel axle		
	26	1			1134-9126-01	• Rulle	• Roller		Sats 2 st/kit of 2
	27	4			9959-0816-16	Skruv	Screw		
	28	4			9739-0831-22	Mutter	Nut		
	29	2			1134-6198-01	Pinne	Stud		
	30	2			9699-0104-02	Bricka	Washer		
	31	2			9598-2001-02	Låsnål	Spring pin		
	32	2			9675-0012-02	Starlock	Locking washer		
	33	2			9646-0098-22	Nit	Rivet		
X	35	1			1137-0159-01	Tryckstång	Push rod		
X	36	1			1137-0160-01	Tryckstång	Push rod		
	37	4			9675-0015-02	Starlock	Lock washer		
X	40	1			1137-0259-01	Höjdinst.segment	Height adj. quadrant.....		
	41	1			9959-0816-16	Skruv	Screw		
	42	1			9739-0831-22	Mutter	Nut		
	43	1			1134-6244-01	Höjdinst.spak- grå	Height adj.lever- grey		
	44	1			1134-6254-01	Spärr	Catch		
	45	1			1134-5444-01	Tryckstång	Push rod		
	46	1			1134-5445-01	Fjäder	Spring		
	47	1			1134-5503-01	Handtag	Handle		
	48	1			9699-0087-02	Planbricka	Flat washer		
	49	1			1134-3051-01	Spärrknapp	Locking knob		
	50	1			1134-6286-03	Distans	Spacer		
	51	1			1134-1565-16	Distans	Spacer		
	52	2			9646-0105-22	Nit	Rivet		
	53	2			9672-0006-02	Starlock	Lock washer		
	54	1			9997-0850-12	Skruv	Screw		
	55	1			9747-0831-02	Mutter	Lock nut		





Utgåva Issue		Bildnr Picture No		PARK KLIPPAGGREGAT 100 COMBI 3 TRANSMISSION		PARK MOWER DECK 100 COMBI 3 TRANSMISSION		Sida Page	
2011- 11		2758						212	
Pos. Fig.	Antal/Quantity				Art nr Part No	Benämning	Description	Sats Kit	Anmärkning Notes
	2977	2978	-	31					
X	1	1			1137-0156-01	Transmissionskåpa	Transmission casing		
	2	3			1134-5595-01	• Nitmutter	• Riveting nut		
	3	3			9945-0825-16	Skruv	Screw		
X	4	1			1137-0157-01	Täckkåpa	Cover		
	5	1			9838-9516-12	Skruv	Screw		
X	7	3			1137-0015-01	Remskiva	Belt pulley		
	8	4			9600-0171-01	Plattkil	Flat key		
	9	1			1134-5400-03	Distans	Spacer		
	10	3			1134-5406-01	Bricka	Washer		
	11	3			9997-1060-12	Skruv	Screw		
X	12	1			1137-0016-01	Remskiva	Belt pulley		Ø = 140 mm
X	13	1			1137-0158-01	Remstyrning	Belt guide		
	14	2			9838-9516-12	Skruv	Screw		
	15	2			9699-0087-02	Planbricka	Flat washer		
	20	1			1134-7611-01	Spännrulle kpl.	Tension roller assy		Inkl. pos 21 - 24
	21	1			9651-0035-04	• Låsring	• Lock ring		
X	22	1			9549-0061-01	• Kullager	• Ball bearing		
	23	1			9699-0056-02	• Planbricka	• Flat washer		
	24	1			9945-0816-16	• Skruv	• Screw		
	25	1			9959-0816-16	Skruv	Screw		
	26	1			9699-0109-02	Planbricka	Flat washer		
	27	1			9739-0831-22	Mutter	Nut		
	28	1			1134-7618-01	Distans	Spacer		
	29	1			1134-0327-00	Kåpfjäder	Spring		
	30	1			1134-5415-01	Fjäderfäste	Spring attachment		
	31	1			9959-0816-16	Skruv	Screw		
	32	1			9739-0831-22	Mutter	Nut		
	33	1			1134-9066-01	Drivrem	Drive belt		= 9585-0125-01
X	35	1			1134-9156-01	Drivrem (2WD)	Drive belt (2WD)		= 9585-0205-01
X	35	1			1134-9157-01	Drivrem (4WD)	Drive belt (4WD)		= 9585-0206-01
X	36	1			1137-0171-01	Stång	Rod		
	37	2			9675-0009-02	Starlock	Starlock		
	41	2			1134-5831-01	Lagerbox kpl.	Bearing box assy		
	42	1			1134-5831-02	Lagerbox kpl.	Bearing box assy		
	43	12			9945-0825-16	Skruv	Screw		
X	44	1			1134-9158-01	Knivsats	Blade kit		Sats 3 st/kit of 3
	45	3			9997-1060-12	Skruv	Screw		
	46	3			1134-6211-01	Knivbricka	Blade washer		