

# Genuine Spare Parts

www.stiga.com

## PARK COMPACT 4WD Model Year 2011/2012

includes:

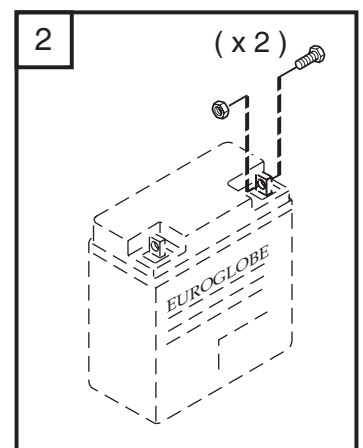
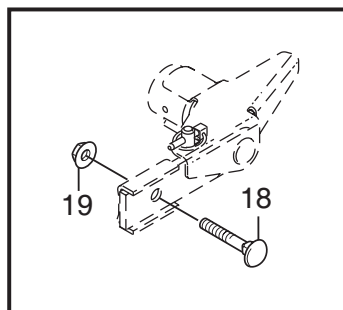
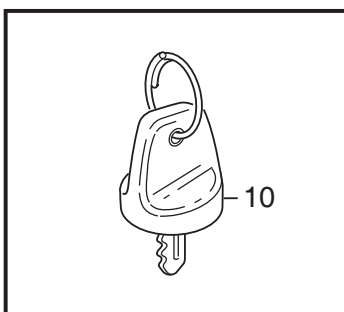
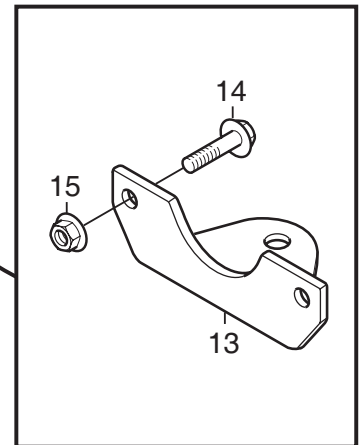
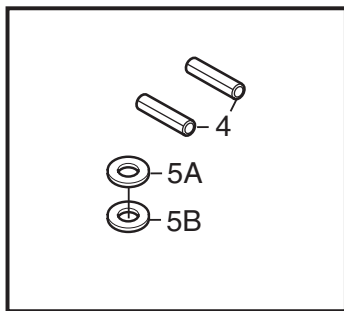
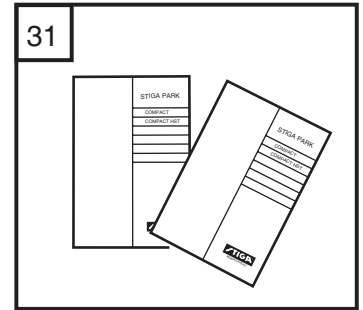
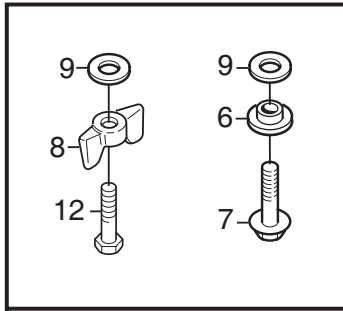
13-6104-21 Park Compact 16

- Use GLOBAL GARDEN PRODUCT Genuine Spare Parts specified in the parts list for repair and/or replacement.
- The contents described in the parts list may change due to improvement.
- The drawings of the spare parts are only indicative and might not represent the part in question exactly.
- The indications "right" - "left" - "front" - "rear" refer to the position of the operator when using the machine.
- When placing orders of parts for repair and/or replacement, make sure that the illustrated parts list is the one applying to the machine's year of manufacture, as shown on the identification plate attached to the machine.

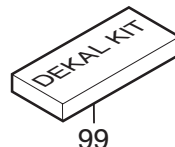
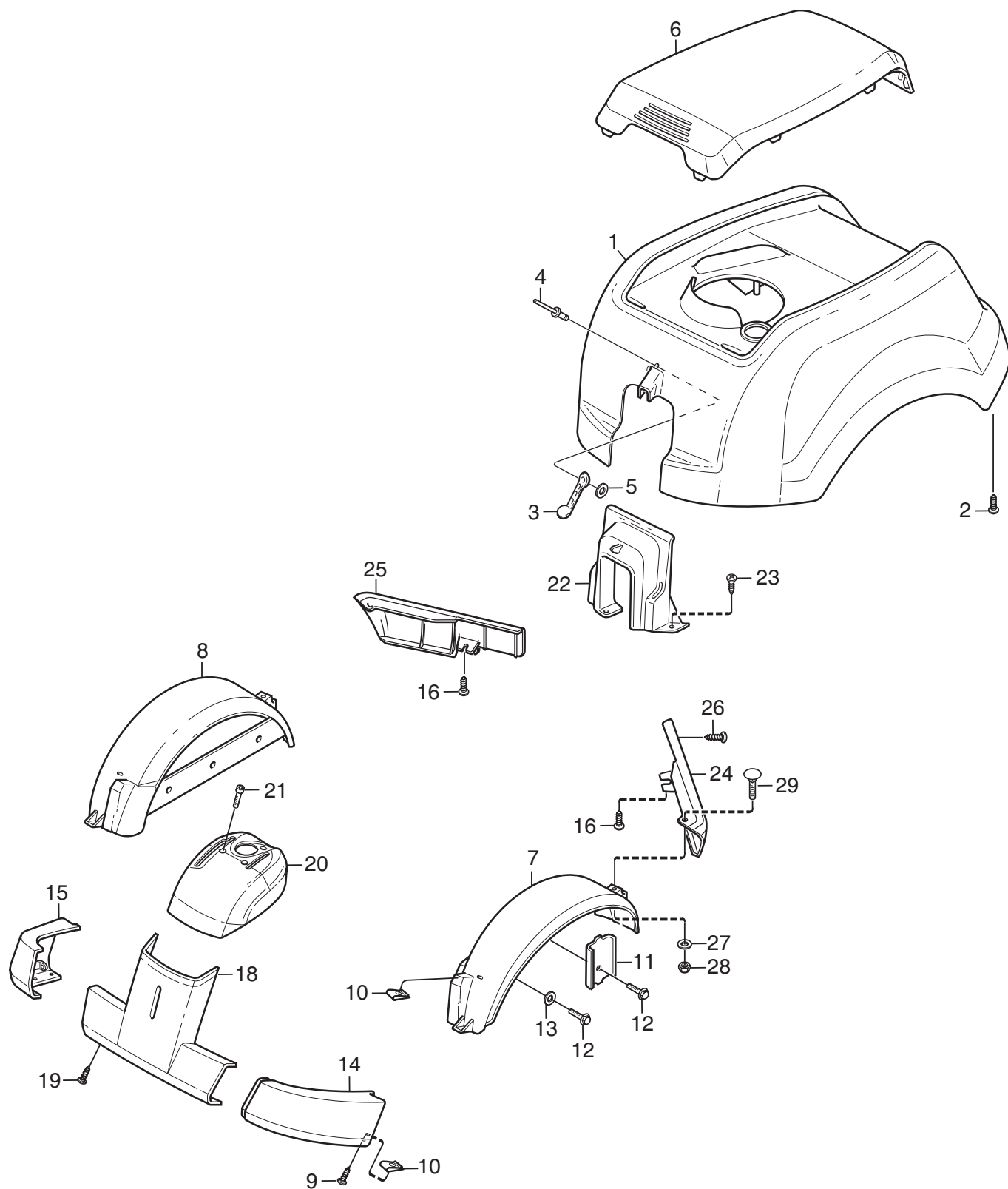
COPYRIGHT by GLOBAL GARDEN PRODUCTS

All rights reserved. No part of this material may be reproduced or transmitted, in any form or by any means, electronic or mechanical, including photocopying, recording or by any information storage and retrieval system, without permission in writing from GLOBAL GARDEN PRODUCTS.

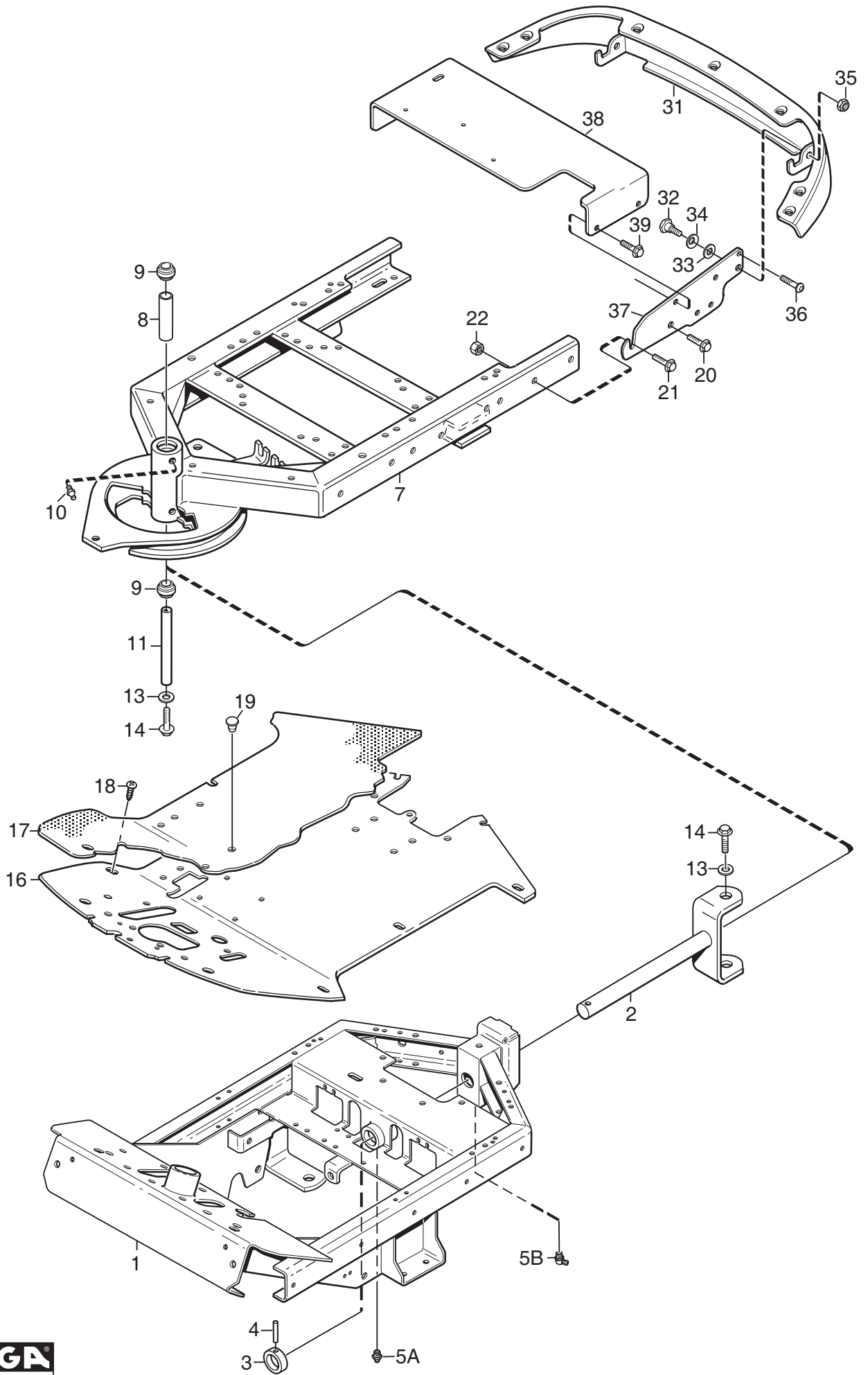




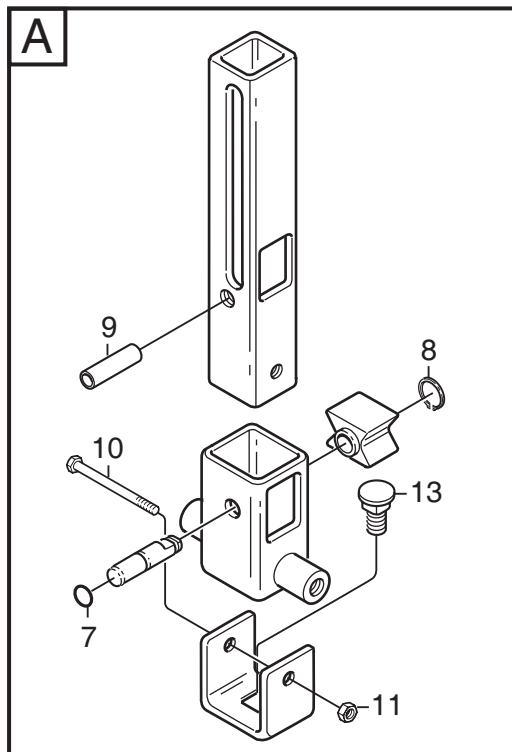
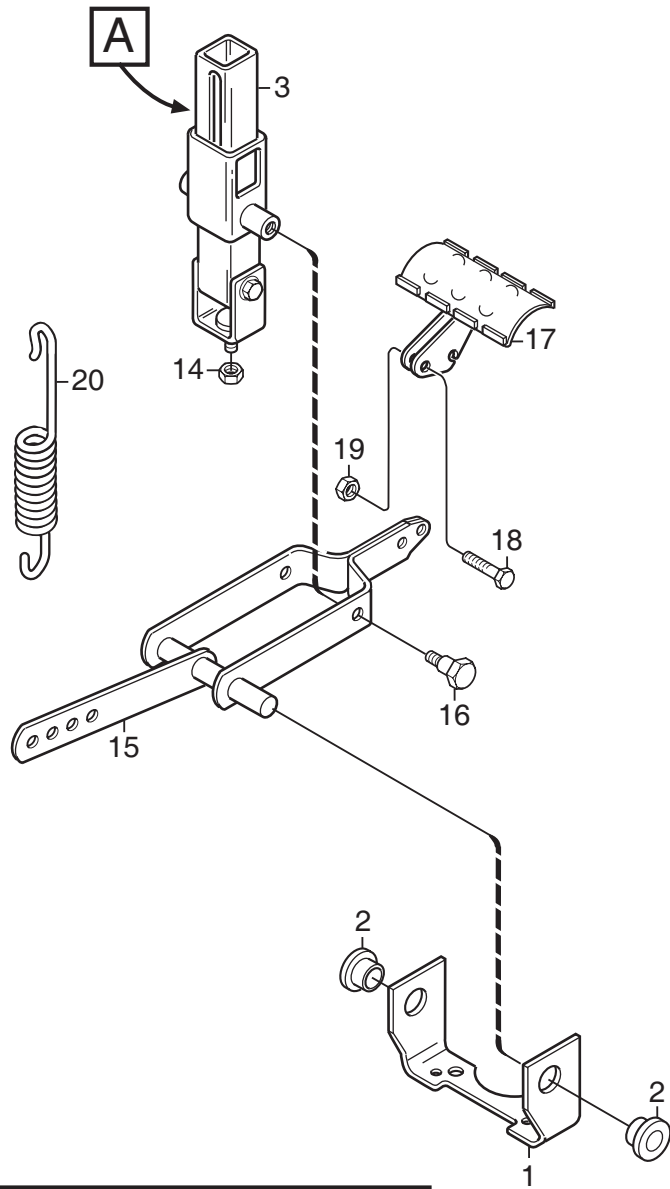
Utgåva Issue		Bildnr Picture No		PARK COMPACT 4WD MONTERINGSDETALJER		PARK COMPACT 4WD ASSEMBLY PARTS		Sida Page	
2011- 11		1638D						34	
Pos. Fig.	Antal/Quantity				Art nr Part No	Benämning	Description	Sats Kit	Anmärkning Notes
	6104 -21								
2	1				1134-6113-01 Batteriskruvar .....	Battery screws .....			
4	2				9595-0262-00 Spännstift .....	Locating pin .....			
5A	1				9699-0103-02 Shims .....	Flat washer .....			0.5 mm
5B	1				9699-0114-02 Shims .....	Flat washer .....			1.0 mm
6	2				1134-4185-01 Ansatsbricka .....	Flange washer .....			
7	2				9959-0820-16 Skruv .....	Screw .....			
8	2				1134-4481-01 Vingmutter .....	Wing nut .....			
9	4				9699-0056-02 Planbricka .....	Flat washer .....			
10	2				1134-4734-01 Tändningsnyckel .....	Ignition key .....			
12	2				9997-0820-16 Skruv .....	Screw .....			
13	1				1134-5512-01 Dragplåt .....	Towing plate .....			
14	2				9959-0820-16 Skruv .....	Screw .....			
15	2				9739-0831-22 Mutter .....	Nut .....			
18	2				9898-1035-16 Skruv .....	Screw .....			
19	2				9739-1031-22 Mutter .....	Nut .....			
X	31	1			8211-0001-10 Bruksanvisning .....	Owner's manual .....			
X	31	1			8211-0601-10 Monteringsanvisning .....	Assy instructions .....			
X	31	1			8211-0701-10 Säkerhetsföreskrifter .....	Safety regulations .....			
X	31	1			8211-0901-10 Servicebok .....	Service book .....			
X	31	1			8211-0960-10 Garantikort .....	Warranty card .....			



Utgåva Issue		Bildnr Picture No		PARK COMPACT 4WD KAROSS		PARK COMPACT 4WD BODY WORK		Sida Page	
2011- 11		1658B						36	
Pos. Fig.	Antal/Quantity				Art nr Part No	Benämning	Description	Sats Kit	Anmärkning Notes
	6104 -21								
1	1				1134-5263-02	Motorhuv- gul .....	Engine hood- yellow .....		Sats 3 st/kit of 3
2	7				9838-9530-12	Skruv .....	Screw .....		
3	1				1134-9028-01	Gummistropp- sats .....	Rubber strap kit .....		
4	1				9632-0516-00	Popnit .....	Pop rivet .....		
5	1				9699-0120-02	Bricka .....	Washer .....		
6	1				1134-5264-01	Motorlucka- grå .....	Engine cover- grey .....		
7	1				1134-5308-01	Stänkskärm vä- grå .....	Mud guard LH- grey .....		
8	1				1134-5308-02	Stänkskärm hö- grå .....	Mud guard RH- grey .....		
9	4				9893-0616-16	Skruv .....	Screw .....		
10	4				1134-4176-01	Clips .....	Clips .....		
11	2				1137-0088-01	Stödplåt .....	Support plate .....		
12	6				9945-0816-16	Skruv .....	Screw .....		
13	4				9699-0056-02	Planbricka .....	Flat washer .....		
14	1				1134-5306-01	Stötfångare, front- vä .....	Bumper, front- LH .....		
15	1				1134-5306-02	Stötfångare, front- hö .....	Bumper, front- RH .....		
16	2				9893-0616-16	Skruv .....	Screw .....		
18	1				1134-5305-01	Front- nedre .....	Front plate- lower .....		
19	2				9893-0616-16	Skruv .....	Screw .....		
20	1				1134-5320-02	Front- övre .....	Front- upper .....		
21	2				9946-0525-16	Skruv .....	Screw .....		
22	1				1134-6241-01	Huvstöd .....	Hood support .....		
23	3				9893-0616-16	Skruv .....	Screw .....		
24	1				1134-3970-05	Kantlist- vä, grå .....	Moulding- LH, grey .....		
25	1				1134-3970-02	Kantlist- hö, grå .....	Moulding- RH, grey .....		
26	2				9893-0616-16	Skruv .....	Screw .....		
27	2				9699-0060-02	Planbricka .....	Flat washer .....		
28	2				9747-0631-02	Låsmutter .....	Lock nut .....		
29	2				9897-0616-16	Vagnsbult .....	Carriage bolt .....		
99	1				1134-6440-03	Dekalsats .....	Label kit .....		

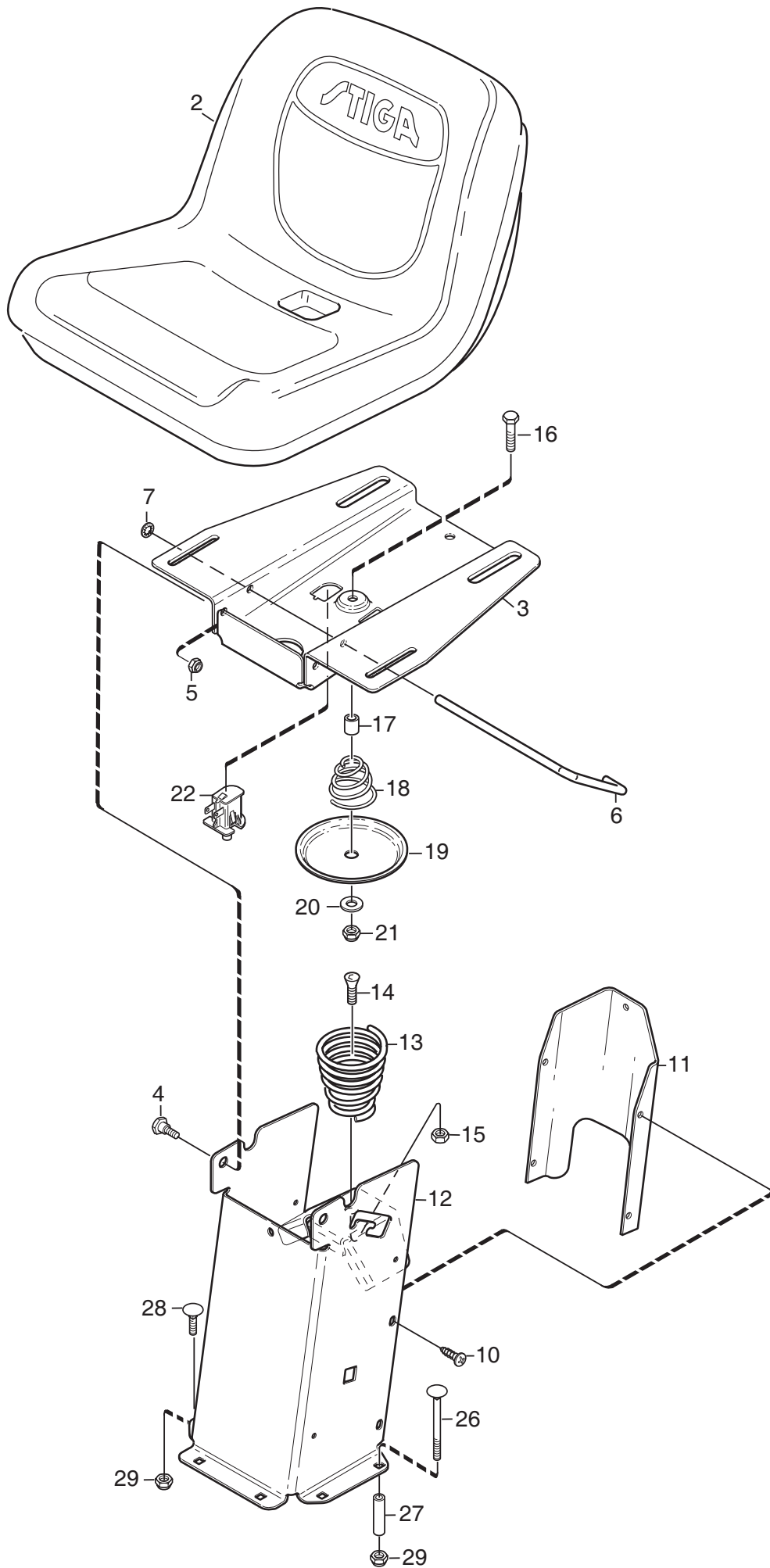


Utgåva Issue		Bildnr Picture No		PARK COMPACT 4WD RAM		PARK COMPACT 4WD FRAME		Sida Page	
2011- 11		2024C						38	
Pos. Fig.	Antal/Quantity				Art nr Part No	Benämning	Description	Sats Kit	Anmärkning Notes
	6104 -21								
1	1				1137-0100-01 Ram- främre .....	Frame- front .....			Rak/straight 90°
2	1				1134-3963-02 • Midjegaffel .....	• Clevis .....			
3	1				1134-0031-00 • Ledaxelstopp .....	• Pivot shaft stop .....			
4	1				9595-0262-00 • Spännstift .....	• Locating pin .....			
5A	1				9501-0500-00 • Smörjnippel .....	• Grease joint .....			
5B	1				9501-0504-01 • Smörjnippel .....	• Grease joint .....			
7	1				1134-6466-01 Ram- bakre .....	Frame- rear .....			
8	1				1134-5705-01 • Distans .....	• Spacer .....			
9	2				9547-0001-00 • Ledlager .....	• Bearing .....			
10	2				9501-0500-00 • Smörjnippel .....	• Grease joint .....			
11	1				1134-5988-01 Centrumaxel .....	Centre shaft .....			
13	2				9699-0035-02 Planbricka .....	Flat washer .....			
14	2				9959-1025-16 Skruv .....	Screw .....			
16	1				1134-6586-01 Durk .....	Floor plate .....			
17	1				1134-6372-04 Durkmatta .....	Floor mat .....			
18	2				9893-0616-16 Skruv .....	Screw .....			
19	2				9403-0048-70 Täckpropp .....	Plug .....			
20	2				9945-0816-16 Skruv .....	Screw .....			
21	2				9959-0820-16 Skruv .....	Screw .....			
22	2				9739-0831-22 Mutter .....	Nut .....			
31	1				1134-5337-02 Stötfångare- bak, grå .....	Bumper- rear, grey .....			
32	2				1134-0240-00 Ansattsskruv .....	Shoulder screw .....			
33	2				1134-4242-01 Distansbricka .....	Spacer washer .....			
34	2				9665-0002-00 Brickfjäder .....	Bowed washer .....			
35	2				9747-0831-02 Mutter .....	Lock nut .....			
36	2				9943-0516-16 Skruv .....	Screw .....			
37	2				1134-5345-01 Stag .....	Attachment .....			
38	1				1134-5344-01 Batterihylla .....	Battery shelf .....			
39	4				9945-0816-16 Skruv .....	Screw .....			

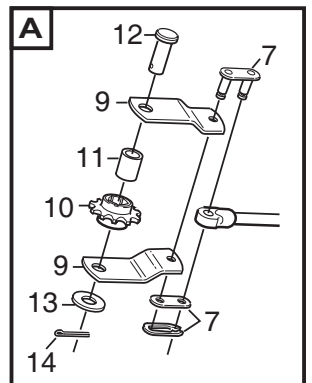
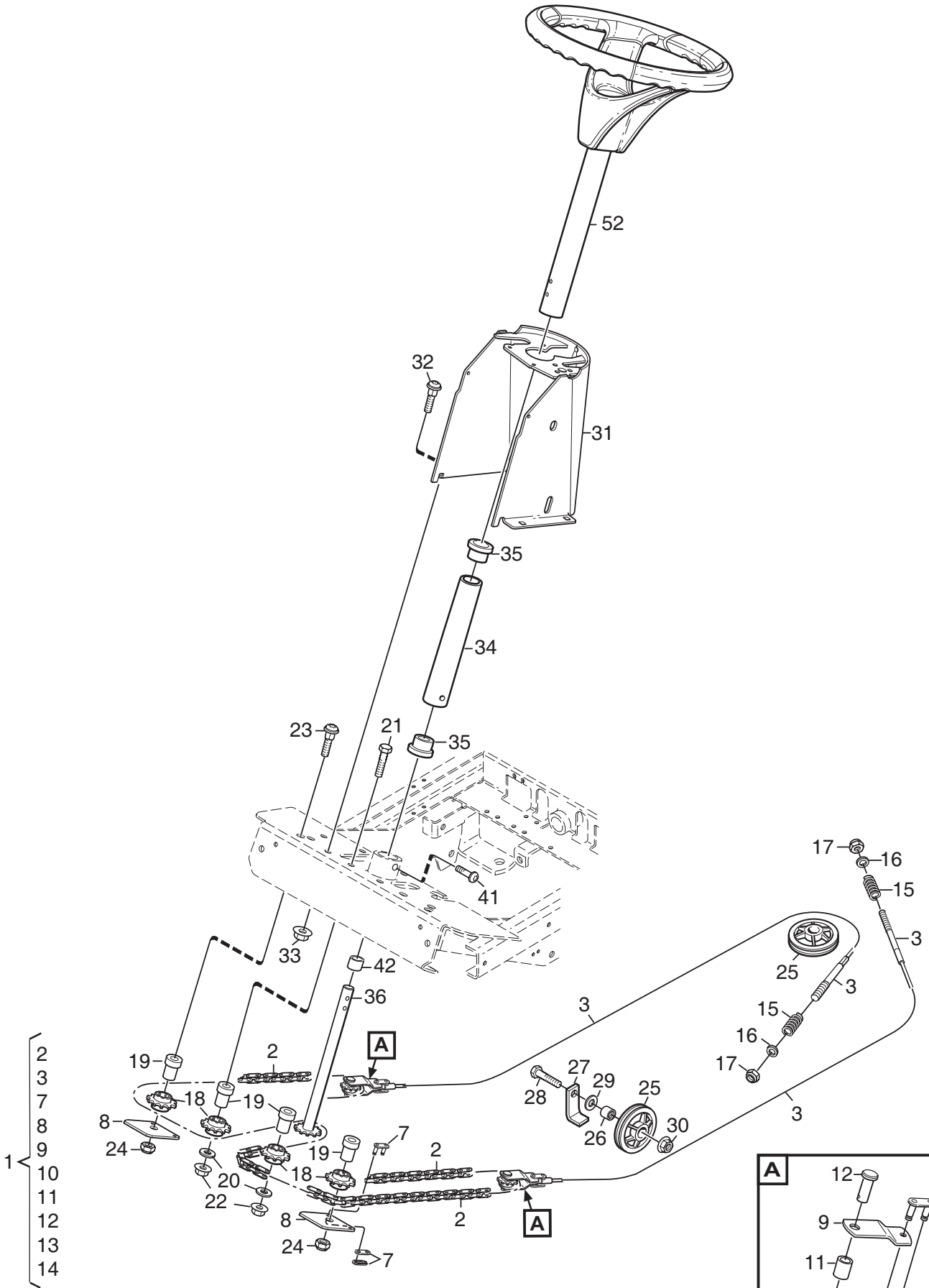




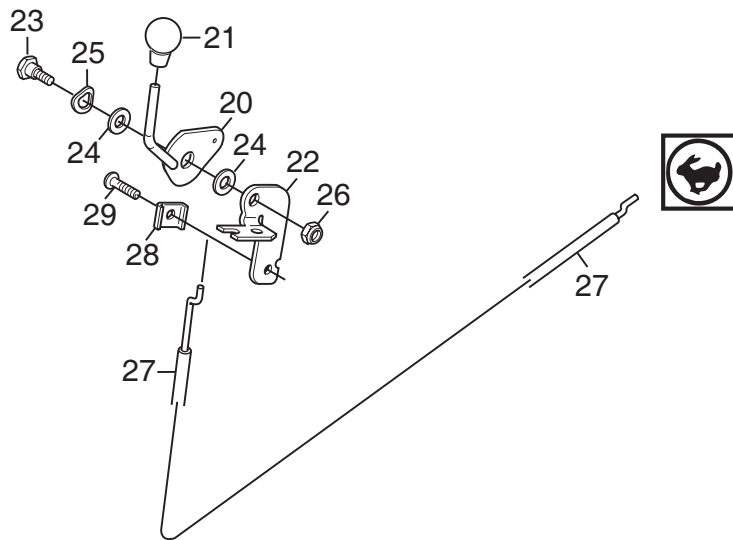
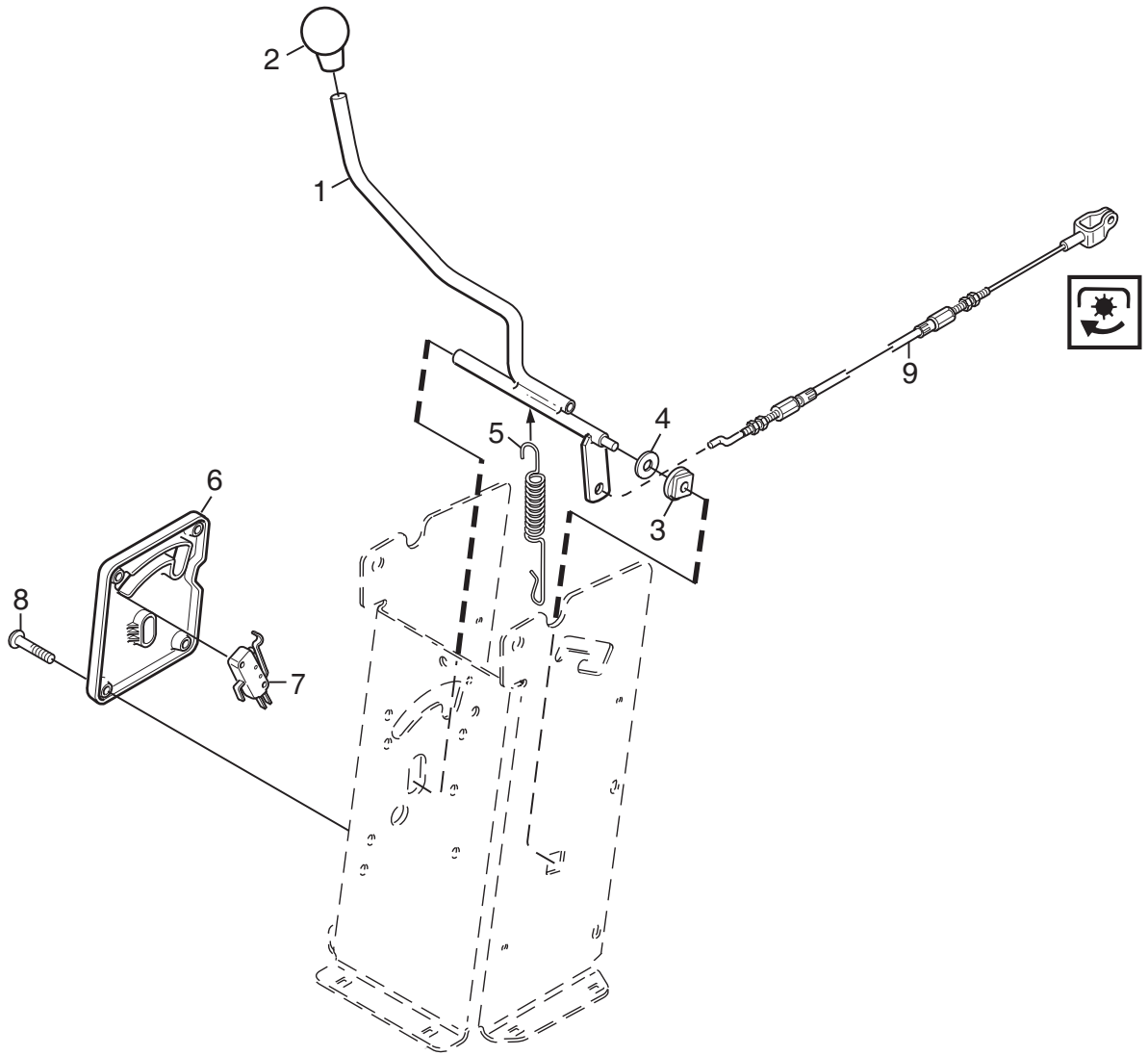
Utgåva Issue		Bildnr Picture No		PARK COMPACT 4WD PEDALLYFT		PARK COMPACT 4WD PEDAL LIFT		Sida Page	
2011-11		1023D						40	
Pos. Fig.	Antal/Quantity				Art nr Part No	Benämning	Description	Sats Kit	Anmärkning Notes
	6104 -21								
1	1				1134-4117-01 Fäste .....	Bracket .....			
2	2				1134-2684-01 Lager .....	Bearing .....			
3	1				1134-4945-01 Lyftspärr kpl .....	Lift catch assy .....			
7	1				9404-0027-01 • O-ring .....	• O-ring .....			
8	1				9650-0039-04 • Seegersäkring .....	• Lock ring .....			
9	1				9595-0276-01 • Spännstift .....	• Locating pin .....			
10	1				9997-0640-12 • Skruv .....	• Screw .....			
11	1				9747-0631-02 • Låsmutter .....	• Lock nut .....			
13	1				9897-0820-16 • Skruv .....	• Screw .....			
14	1				9747-0831-02 Mutter .....	Lock nut .....			
15	1				1134-4860-01 Lyftgaffel .....	Lift fork .....			
16	2				1134-0240-00 Ansatsskruv .....	Shoulder screw .....			
17	1				1134-4938-01 Lyftpedal .....	Lift pedal .....			
18	2				9997-0625-16 Skruv .....	Screw .....			
19	2				9739-0631-22 Mutter .....	Nut .....			
20	1				4231-0013-00 Fjäder .....	Spring .....			



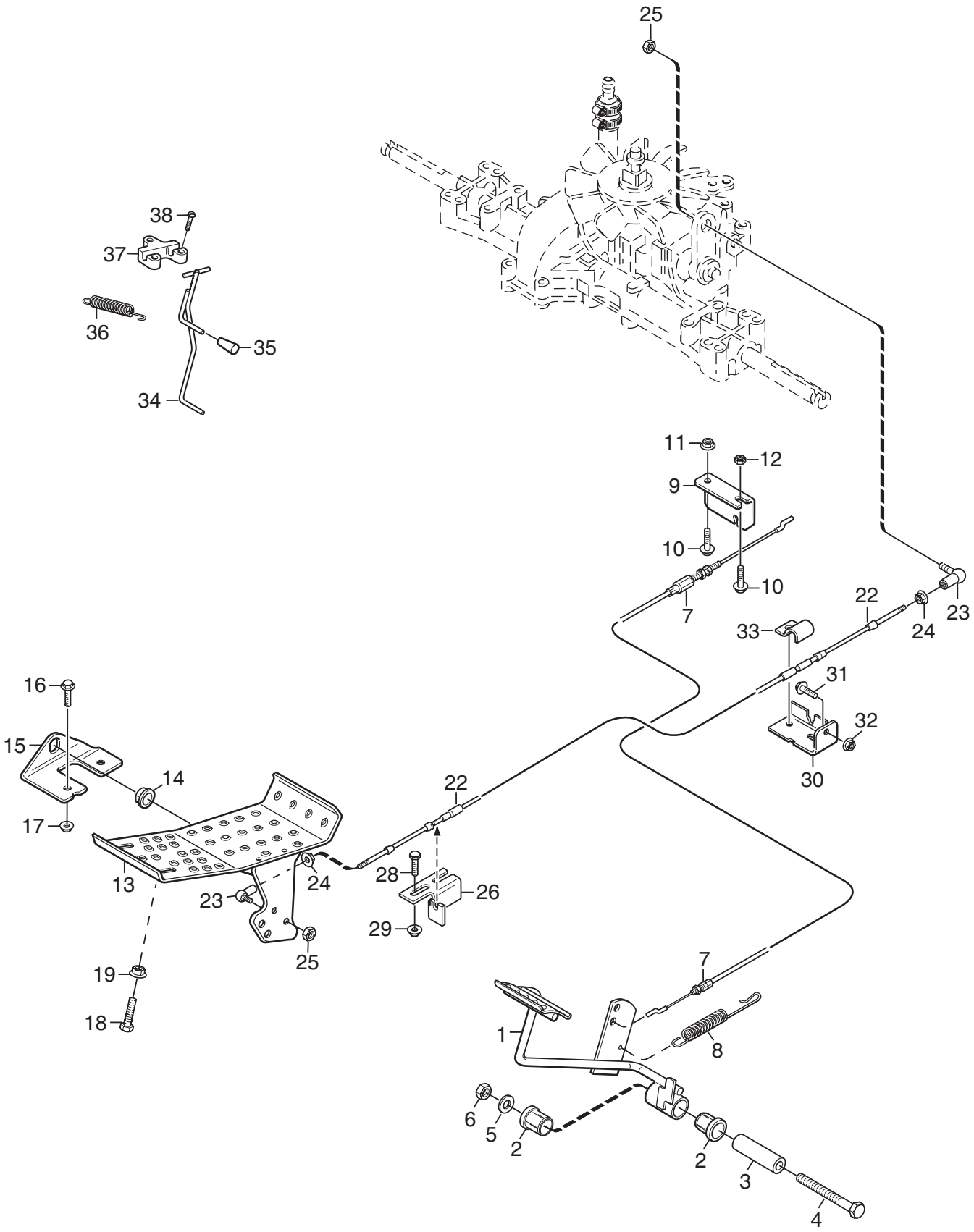
Utgåva Issue		Bildnr Picture No		PARK COMPACT 4WD SITS		PARK COMPACT 4WD SEAT		Sida Page	
2011- 11		1657B						42	
Pos. Fig.	Antal/Quantity				Art nr Part No	Benämning	Description	Sats Kit	Anmärkning Notes
	6104 -21								
2	1				1134-6444-01 Sits .....	Seat .....			
3	1				1134-5301-01 Sitsplatta .....	Seat plate .....			
4	2				1134-0240-00 Ansatsskruv .....	Shoulder screw .....			
5	2				9747-0831-02 Mutter .....	Lock nut .....			
6	1				1134-5454-01 Spärr .....	Catch .....			
7	1				9675-0012-02 Starlock .....	Locking washer .....			
10	4				9893-0616-16 Skruv .....	Screw .....			
11	1				1134-5300-01 Bakstycke- gul .....	Rear plate- yellow .....			
12	1				1134-5296-04 Sitskonsol- gul .....	Seat bracket- yellow .....			
13	1				1134-4256-01 Sitsfjäder .....	Seat spring .....			
14	1				9924-1235-19 Skruv .....	Screw .....			
15	1				9747-1231-02 Låsmutter .....	Lock nut .....			
16	1				9997-0840-16 Skruv .....	Screw .....			
17	1				1134-1565-06 Distans .....	Spacer .....			
18	1				1134-5302-01 Fjäder .....	Spring .....			
19	1				1134-5299-01 Tryckplatta .....	Push plate .....			
20	1				9699-0090-02 Planbricka .....	Flat washer .....			
21	1				9747-0831-02 Mutter .....	Lock nut .....			
22	1				1134-3156-02 Brytare (grå) .....	Switch (grey) .....			
26	2				9897-0880-12 Skruv .....	Screw .....			L = 80 mm
27	2				1134-1565-08 Distans .....	Spacer .....			
28	4				9897-0820-16 Skruv .....	Screw .....			L = 20 mm
29	6				9747-0831-02 Mutter .....	Lock nut .....			





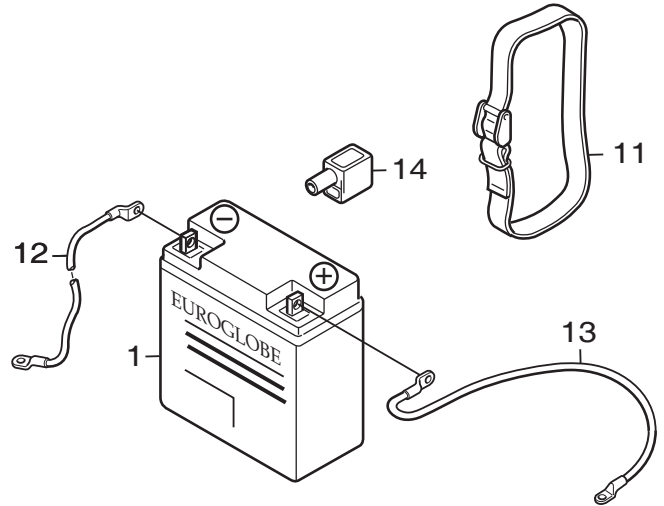
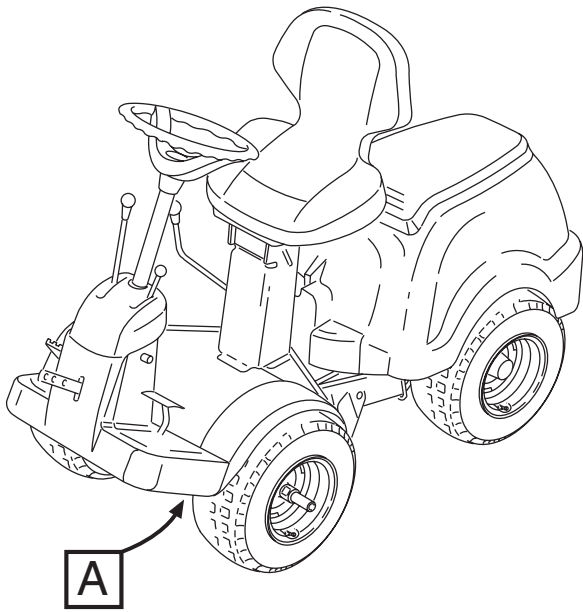


Utgåva Issue 2011-11		Bildnr Picture No 1670B		PARK COMPACT 4WD HANDREGLAGE		PARK COMPACT 4WD HAND CONTROLS		Sida Page 46	
Pos. Fig.	Antal/Quantity				Art nr Part No	Benämning	Description	Sats Kit	Anmärkning Notes
	6104 -21								
1	1				1134-6301-01	Aggregatsspak.....	Engagement lever .....		
2	1				1134-2551-01	Reglageknopp.....	Knob .....		
3	1				1134-3790-02	Lager .....	Bearing.....		
4	1				9699-0090-02	Planbricka.....	Flat washer.....		
5	1				4231-0013-00	Fjäder.....	Spring .....		
6	1				1134-5368-01	Panel .....	Dashboard .....		
7	1				9400-0360-01	Mikrobrytare.....	Micro switch .....		
8	4				9946-0525-16	Skruv .....	Screw .....		
9	1				1134-3573-05	Reglagewire.....	Control cable.....		
20	1				1134-5465-01	Gasreglage.....	Throttle lever.....		
21	1				1134-4078-01	Knopp.....	Knob .....		
22	1				1134-5464-01	Fäste.....	Bracket.....		
23	1				1134-0240-00	Ansattsskruv.....	Shoulder screw.....		
24	2				1134-4242-01	Distansbricka.....	Spacer washer .....		
25	1				9694-0001-00	Fjäderbricka .....	Washer.....		
26	1				9747-0831-02	Mutter.....	Lock nut.....		
27	1				1134-4197-03	Gaswire .....	Throttle cable .....		
28	1				9500-9991-00	Wireklämma .....	Cable clamp .....		
29	1				9943-0516-16	Skruv.....	Screw.....		



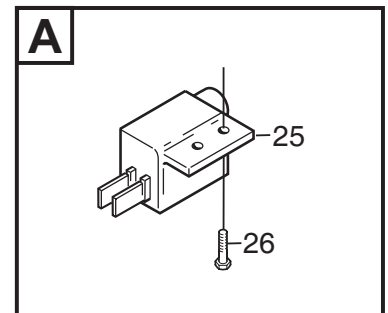
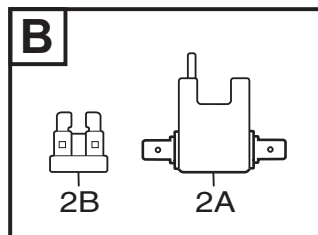
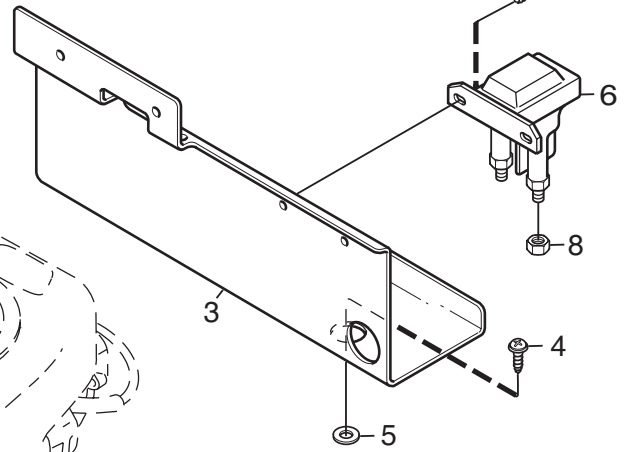
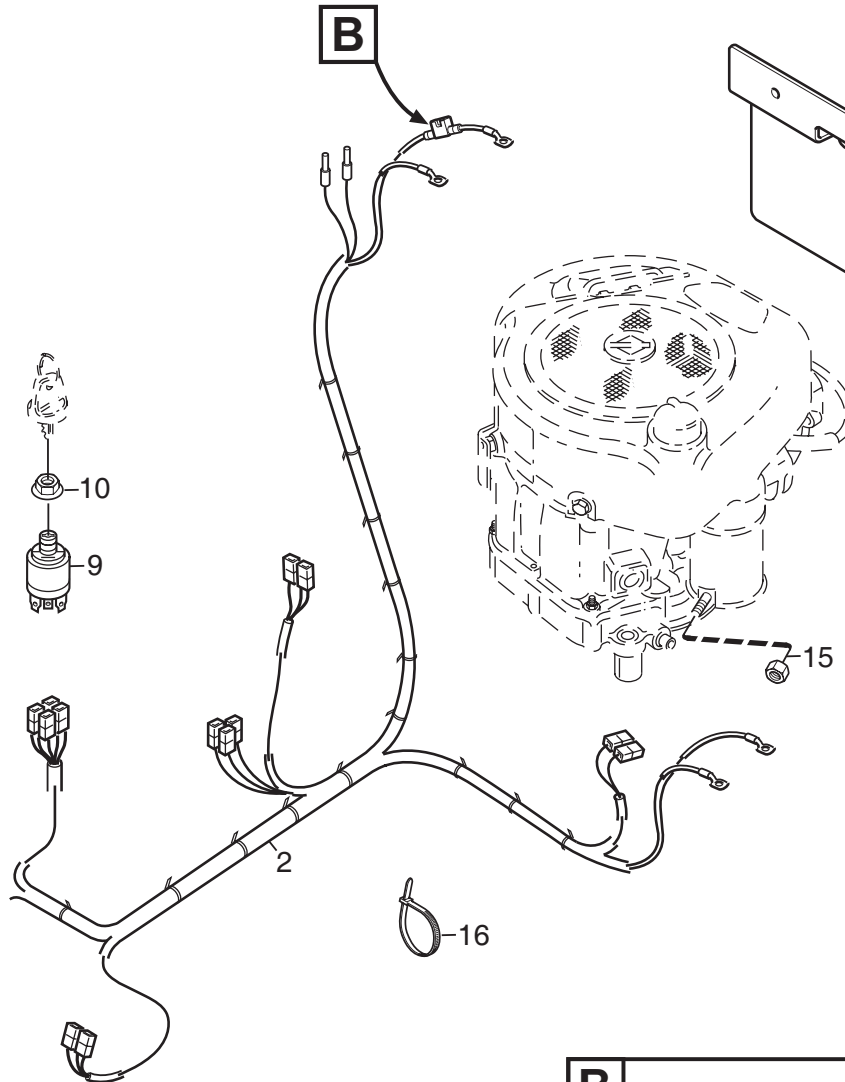


Utgåva Issue		Bildnr Picture No		PARK COMPACT 4WD FOTREGLAGE		PARK COMPACT 4WD FOOT CONTROLS		Sida Page	
2011-11		2026A						48	
Pos. Fig.	Antal/Quantity				Art nr Part No	Benämning	Description	Sats Kit	Anmärkning Notes
	6104 -21								
1	1				1134-5655-01	Broms/kopplingspedal.....	Brake/clutch pedal.....		Sats 4 st/kit of 4
2	1				1134-9024-01	Lager.....	Bearing.....		
3	1				1134-5677-02	Distans.....	Spacer.....		
4	1				9997-1070-12	Skruv.....	Screw.....		
5	1				9699-0030-02	Planbricka.....	Flat washer.....		
6	1				9739-1031-22	Mutter.....	Nut.....		
7	1				1134-6005-01	Wire.....	Cable.....		
8	1				4231-0013-00	Fjäder.....	Spring.....		
9	1				1134-6467-01	Wirefäste.....	Cable holder.....		
10	2				9959-0820-16	Skruv.....	Screw.....		
11	1				9739-0831-22	Mutter.....	Nut.....		
12	1				9747-0831-02	Mutter.....	Lock nut.....		
13	1				1134-6353-01	Drivpedal.....	Drive pedal.....		
14	2				1134-6313-01	Lager.....	Bearing.....		
15	2				1134-2700-01	Fäste.....	Bracket.....		
16	2				9959-0820-16	Skruv.....	Screw.....		
17	2				9739-0831-22	Mutter.....	Nut.....		
18	1				9997-0835-16	Skruv.....	Screw.....		
19	1				9739-0831-22	Mutter.....	Nut.....		
22	1				1134-2766-05	Reglagewire.....	Speed control cable.....		
23	2				9570-0001-00	Vinkellänk.....	Elbow link.....		
24	2				9739-0531-22	Mutter.....	Nut.....		
25	2				9747-0531-02	Mutter.....	Nut.....		
26	1				1134-6317-01	Wirefäste.....	Cable holder.....		
28	2				9959-0620-16	Skruv.....	Screw.....		
29	2				9739-0631-22	Mutter.....	Nut.....		
30	1				1134-3395-01	Fäste.....	Attachment.....		
31	2				9959-0820-16	Skruv.....	Screw.....		
32	2				9739-0831-22	Mutter.....	Nut.....		
33	1				1134-2021-01	Växelwirefäste.....	Clamp.....		
34	1				1134-5353-01	Bromsstång.....	Brake rod.....		
35	1				1134-2786-01	Plastknopp.....	Plastic knob.....		
36	1				1131-1497-01	Fjäder.....	Spring.....		
37	1				1134-4002-01	Fäste.....	Brake rod attachment.....		
38	3				9838-9516-12	Skruv.....	Screw.....		

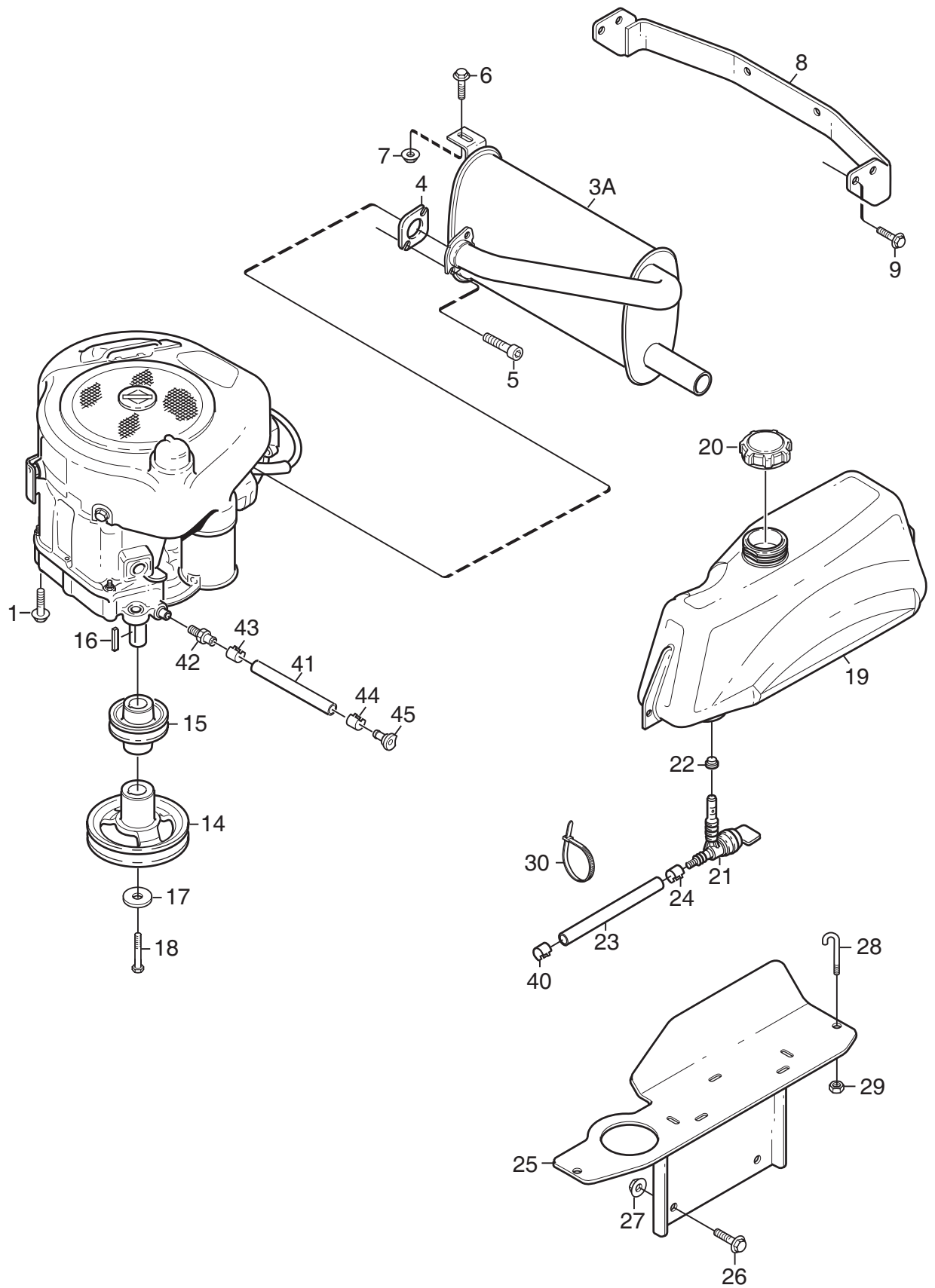


**A**

**B**

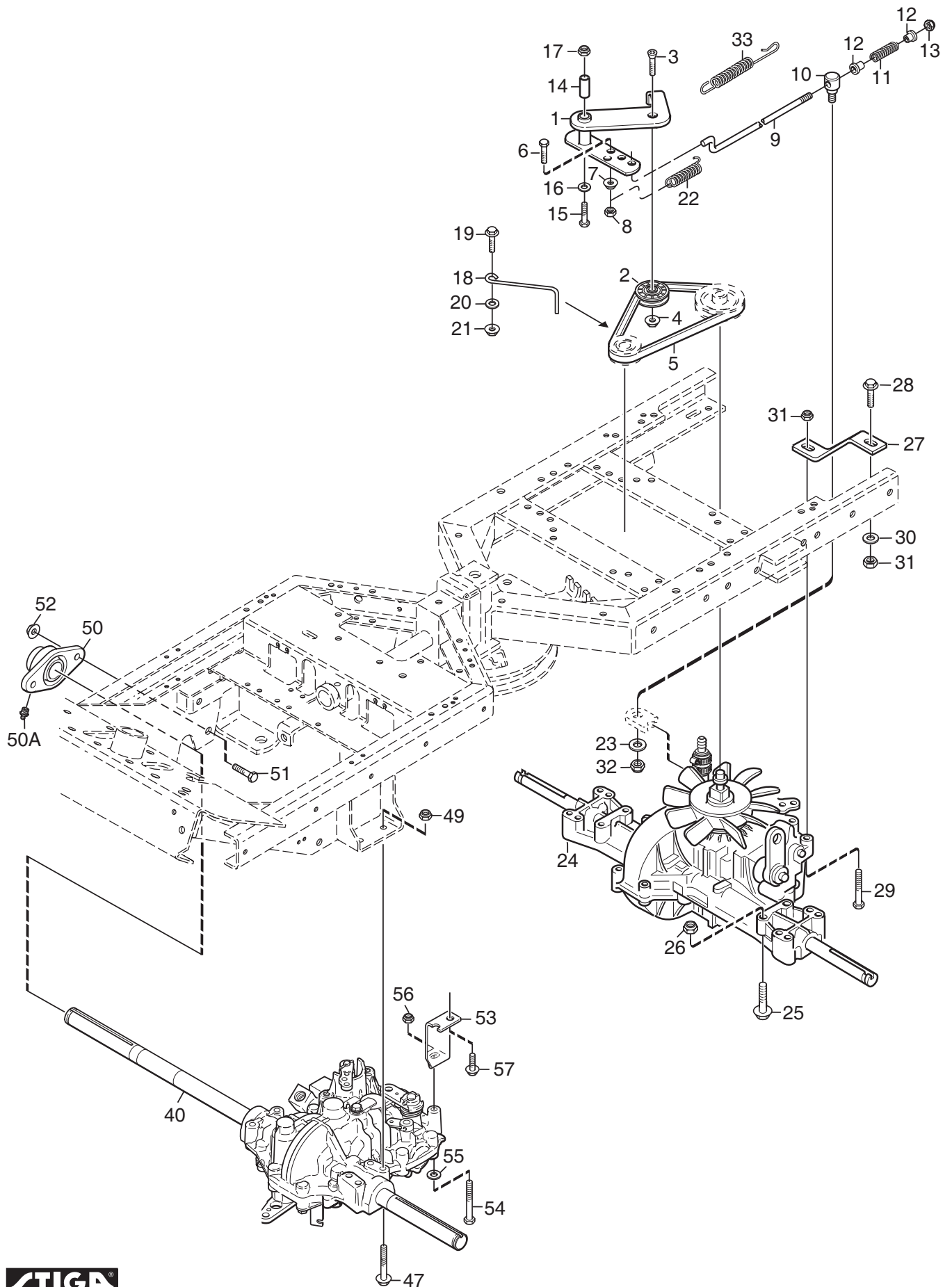


Utgåva Issue		Bildnr Picture No		PARK COMPACT 4WD ELUTRUSTNING		PARK COMPACT 4WD EL. EQUIPMENT		Sida Page	
2011-11		1671F						50	
Pos. Fig.	Antal/Quantity				Art nr Part No	Benämning	Description	Sats Kit	Anmärkning Notes
	6104 -21								
1	1				1134-4804-01 Batteri .....	Battery .....			
2	1				1134-5769-01 Kablage.....	Harness.....			
2A	1				9400-0327-01 • Säkringshållare .....	• Fuse holder .....			Inkl. pos 2A
2B	1				1134-3496-06 •• Säkring .....	•• Fuse .....			Inkl. pos 2B
3	1				1134-5343-01 Batterikonsol .....	Battery bracket.....			20A
4	3				9852-8013-16 Skruv .....	Screw.....			
5	2				9699-0060-02 Planbricka.....	Flat washer.....			
6	1				1134-2962-01 Solenoid kpl .....	Solenoid assy.....			Inkl. pos 8
7	2				9852-8013-16 Skruv .....	Screw.....			
8	2				9794-5131-02 • Mutter.....	• Nut.....			
9	1				1134-4093-01 Tändningslås .....	Ignition switch .....			
10	1				1134-4749-01 Mutter.....	Nut.....			
11	1				1134-5245-01 Batterirem.....	Battery strap .....			
12	1				1134-2167-01 Kabel .....	Cable .....			
13	1				1134-0234-02 Batterikabel ( + ).....	Battery cable ( + ).....			
14	1				1134-2310-01 Batteriskydd.....	Guard cap .....			
15	1				9795-3531-02 Mutter.....	Nut.....			
16	15				9579-0003-00 Buntband .....	Cable holder .....			
25	1				1134-3399-02 Brytare.....	Switch.....			
26	2				9943-0516-16 Skruv .....	Screw.....			

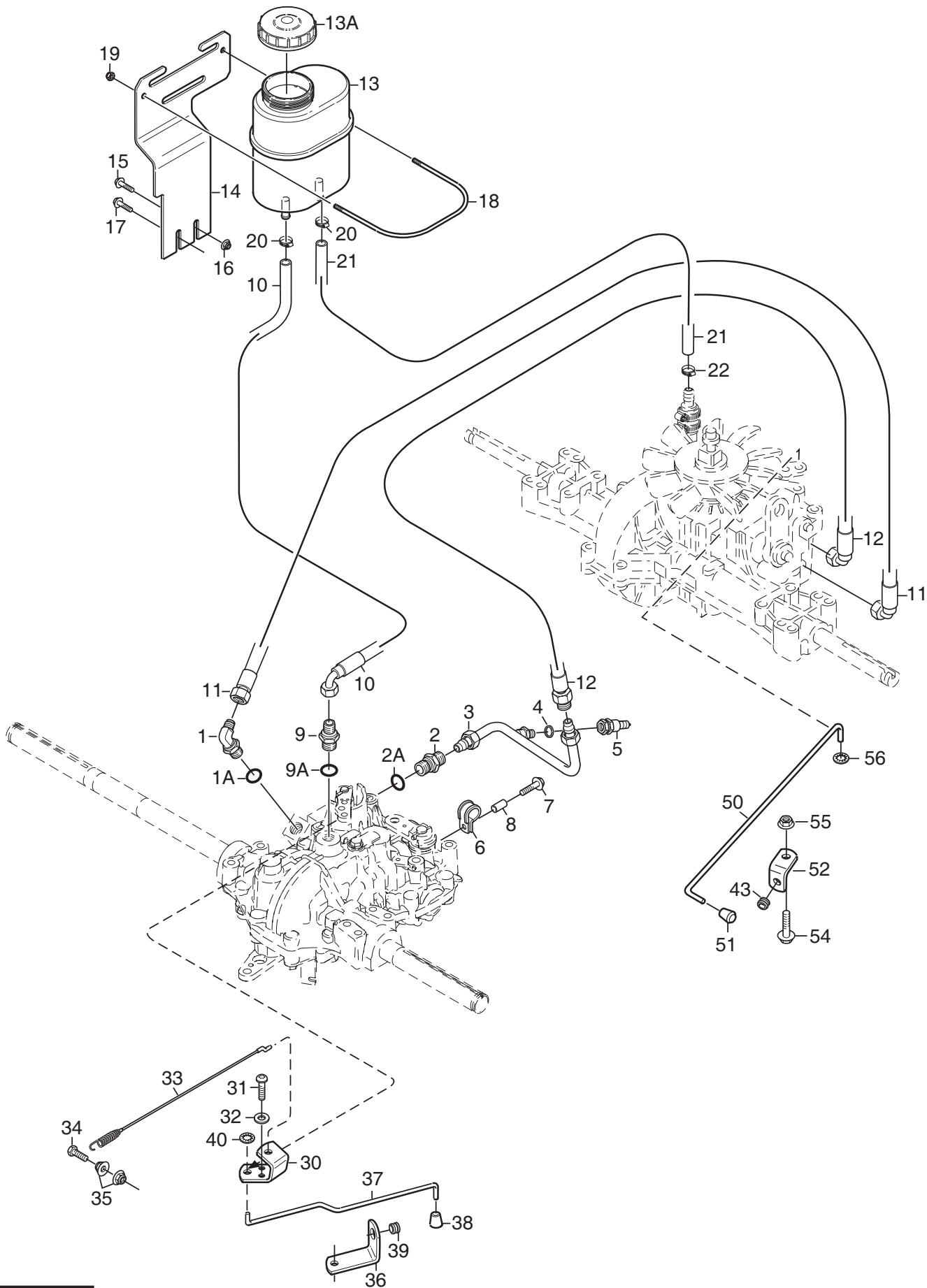


Utgåva Issue		Bildnr Picture No		PARK COMPACT 4WD MOTOR		PARK COMPACT 4WD ENGINE		Sida Page	
2011- 11		1672E						52	
Pos. Fig.	Antal/Quantity				Art nr Part No	Benämning	Description	Sats Kit	Anmärkning Notes
	6104 -21								
1	4				9955-3725-16 Skruv.....	Screw.....		3/8" UNC x 25 mm	
3A	1				1134-7784-01 Ljuddämpare .....	Muffler .....			
4	1				1134-0433-00 Ljuddämparpackning.....	Muffler gasket.....			
5	2				1134-4930-01 Skruv.....	Screw.....			
6	1				9959-0820-16 Skruv.....	Screw.....			
7	1				9739-0831-22 Mutter.....	Nut.....			
8	1				1134-5390-01 Dragkroksbalk .....	Tow bar bracket.....			
9	4				9945-0816-16 Skruv.....	Screw.....			
14	1				1137-0082-01 Motorremskiva .....	Engine pulley.....		Ø = 139 mm	
15	1				1137-0007-01 Motorremskiva .....	Engine pulley.....		Ø = 85 mm	
16	1				9600-0251-01 Kil .....	Key .....		L = 2 1/2"	
17	1				1134-5017-01 Bricka .....	Washer.....			
18	1				9987-5332-16 Skruv.....	Screw.....			
19	1				1134-6618-01 Bränsletank.....	Fuel tank .....			
20	1				1134-5532-01 Tanklock .....	Fuel tank cap.....			
21	1				1134-3224-01 Bensinkran.....	Fuel shut-off valve.....			
22	1				1134-3225-01 Gummibussning .....	Grommet.....			
23	0,35				9505-0001-01 Bensinslang (meter) .....	Fuel line (metre).....		Per meter	
24	1				9578-0023-02 Slangklämna.....	Hose clamp .....			
25	1				1134-6627-01 Tankkonsol .....	Fuel tank bracket.....			
26	2				9959-0820-16 Skruv.....	Screw.....			
27	2				9739-0831-22 Mutter.....	Nut.....			
28	2				1134-5346-01 Tankbygel .....	Fuel tank loop.....			
29	2				9747-0631-02 Låsmutter .....	Lock nut.....			
30	1				9579-0003-00 Buntband .....	Cable holder .....			
40	1				9578-0023-02 Slangklämna.....	Hose clamp .....			
41	1				1134-5827-01 Oljeavtappning kpl .....	Oil drain assy .....		Pos 42- 45 incl.	
42	1				1134-5825-01 • Nippel .....	• Nipple.....			
43	1				9578-0023-04 • Slangklämna.....	• Hose clamp .....			
44	1				1134-3499-02 • Slangklämna.....	• Hose clamp .....			
45	1				1134-5826-01 • Plugg .....	• Plug.....			

X  
X

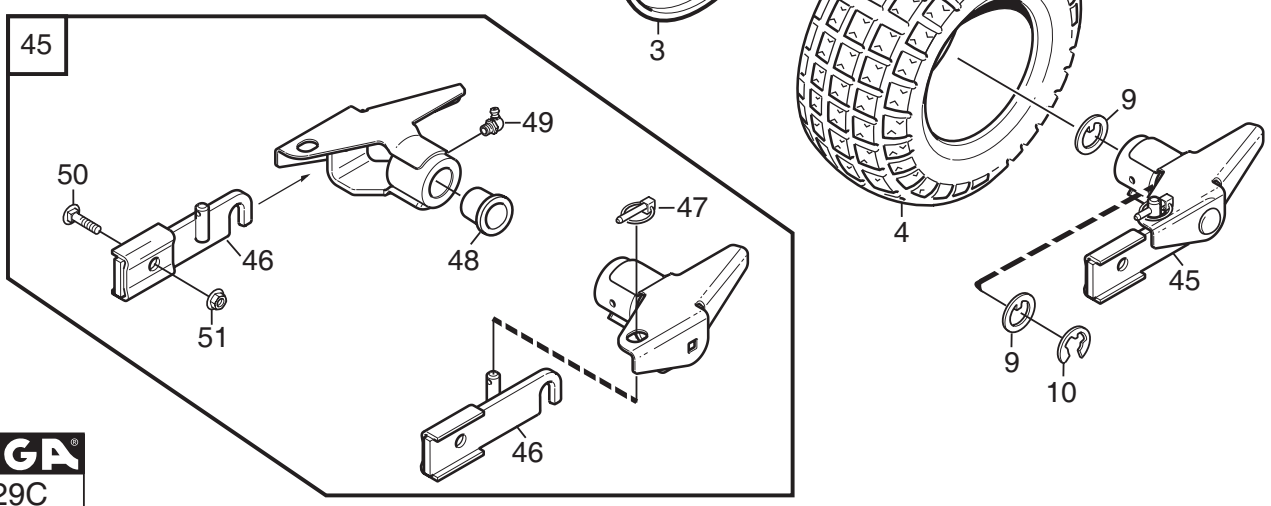
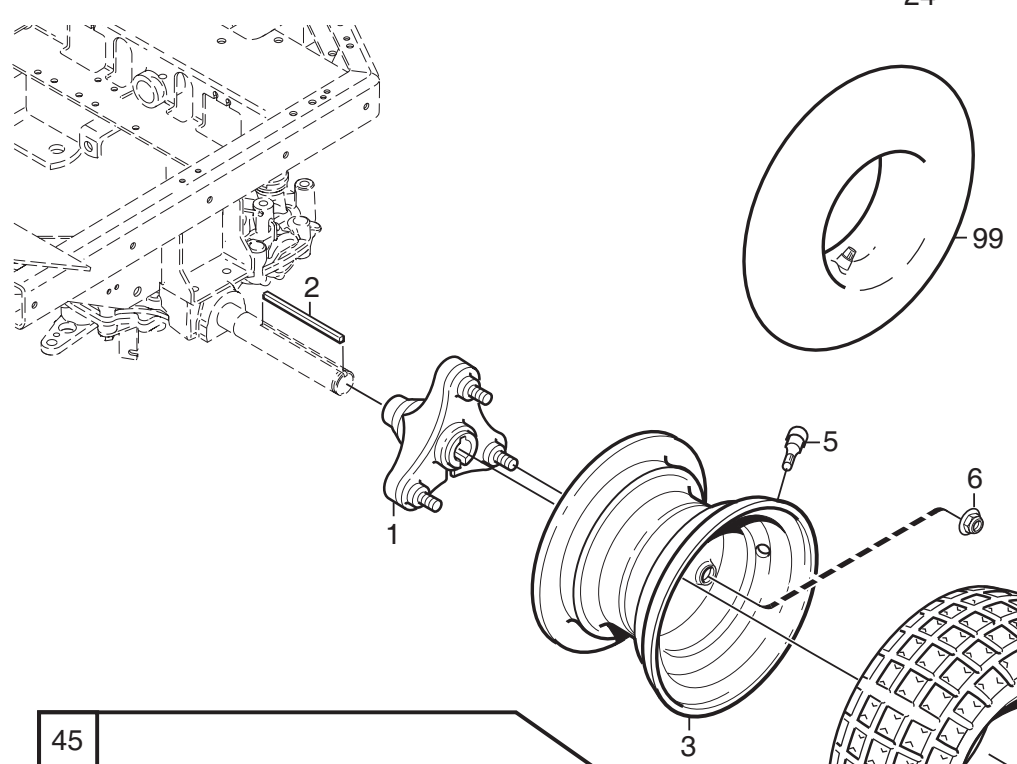
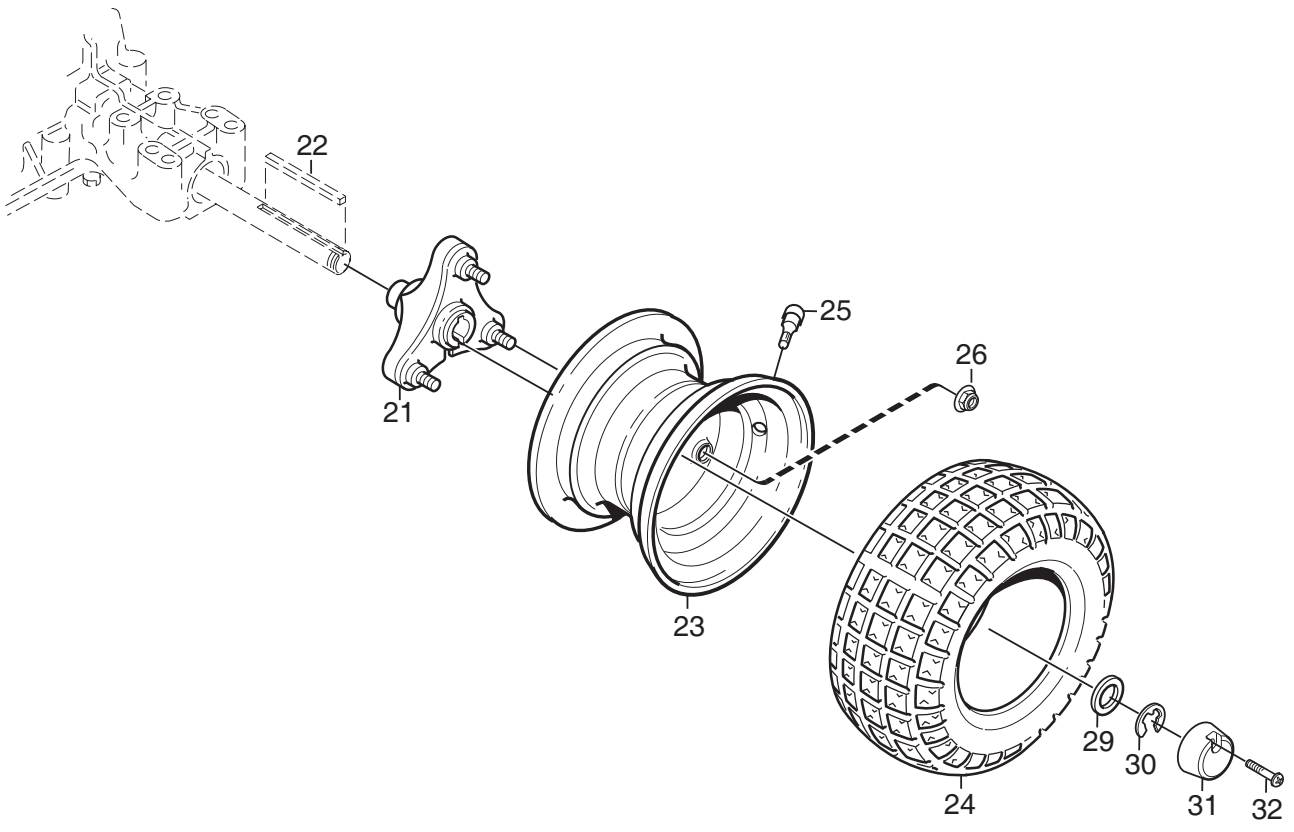


Utgåva Issue 2011- 11		Bildnr Picture No 2027B		PARK COMPACT 4WD TRANSMISSION (mekaniska delar)		PARK COMPACT 4WD TRANSMISSION (mechanical parts)		Sida Page 54	
Pos. Fig.	Antal/Quantity				Art nr Part No	Benämning	Description	Sats Kit	Anmärkning Notes
	6104 -21								
1	1				1134- 4000- 02	Spännarm .....	Tension arm .....		= 9585- 0091- 01
2	1				1134- 3459- 01	Spännrulle .....	Tension roller .....		
3	1				9924- 1035- 16	Skruv .....	Screw .....		
4	1				9799- 1031- 02	Mutter .....	Nut .....		
5	1				1134- 9058- 01	Drivrem .....	V- belt.....		
6	1				9997- 0625- 16	Skruv .....	Screw .....		
7	1				9739- 0631- 22	Mutter .....	Nut .....		
8	1				9747- 0631- 02	Låsmutter .....	Lock nut .....		
9	1				1134- 3377- 02	Reglagestång .....	Control rod.....		
10	1				1134- 4171- 01	Ledtapp .....	Pivot pin .....		
11	1				1134- 4183- 01	Tryckfjäder .....	Compression spring.....		
12	2				1134- 3456- 01	Bussning .....	Bushing.....		
13	1				9747- 0631- 02	Låsmutter .....	Lock nut .....		
14	1				1134- 1565- 08	Distans .....	Spacer .....		
15	1				9997- 0870- 16	Skruv .....	Screw .....		
16	1				9699- 0056- 02	Planbricka.....	Flat washer.....		
17	1				9747- 0831- 02	Mutter .....	Lock nut .....		
18	1				1134- 3289- 02	Remstyrning .....	Belt guide .....		
19	1				9959- 0820- 16	Skruv .....	Screw .....		
20	1				9699- 0056- 02	Planbricka.....	Flat washer.....		
21	1				9739- 0831- 22	Mutter .....	Nut .....		
22	1				1134- 6414- 01	Fjäder.....	Spring .....		
23	1				9699- 0060- 02	Planbricka.....	Flat washer.....		
24	1				1137- 0124- 01	Transaxel kpl.....	Transaxle assy.....	Kanzaki K574G	
25	4				9960- 0860- 12	Skruv .....	Screw .....		
26	4				9747- 0831- 02	Mutter .....	Lock nut .....		
27	1				1134- 3913- 01	Reaktionsstag .....	Strut .....		
28	1				9959- 0825- 16	Skruv .....	Screw .....		
29	1				9997- 0845- 12	Skruv .....	Screw .....		
30	1				9699- 0090- 02	Planbricka.....	Flat washer.....		
31	2				9747- 0831- 02	Mutter .....	Lock nut .....		
32	1				9747- 0631- 02	Låsmutter .....	Lock nut .....		
33	1				4231- 0013- 00	Fjäder.....	Spring .....		
40	1				1134- 6029- 01	Motoraxel- fram .....	Transaxle- front .....	Kanzaki KTM 10M	
47	2				9960- 0860- 12	Skruv .....	Screw .....		
49	2				9747- 0831- 02	Mutter .....	Lock nut .....		
50	1				1134- 5703- 01	Flänslagerenhet .....	Flange bearing.....		
50A	1				9501- 0500- 00	• Smörjnippel .....	• Grease joint.....		
51	2				9997- 1040- 16	Skruv .....	Screw .....		
52	2				9731- 1031- 22	Mutter .....	Nut .....		
53	1				1134- 5670- 01	Reaktionsstag .....	Strut .....		
54	1				9997- 0880- 16	Skruv .....	Screw .....		
55	1				9699- 0090- 02	Planbricka.....	Flat washer.....		
56	1				9747- 0831- 02	Mutter .....	Lock nut .....		
57	2				9945- 0816- 16	Skruv .....	Screw .....		

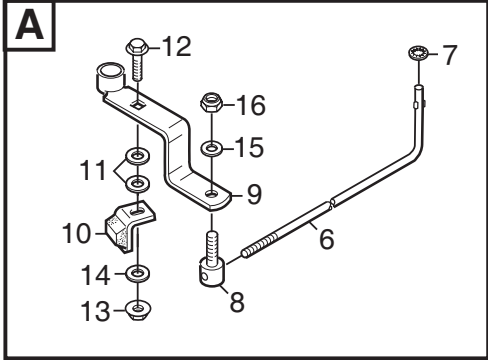
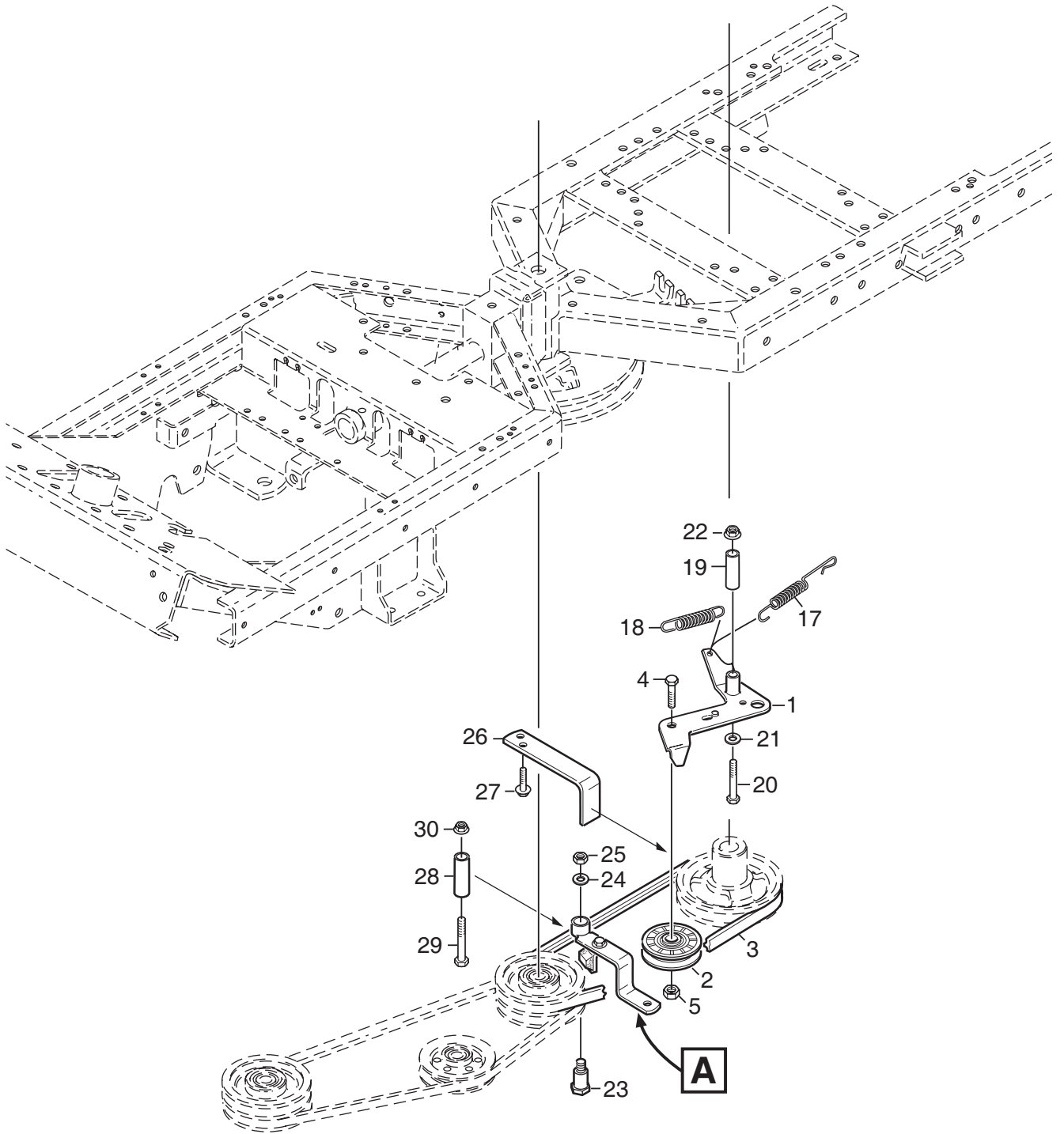




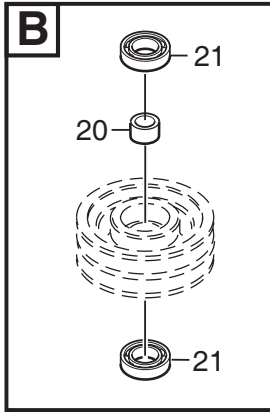
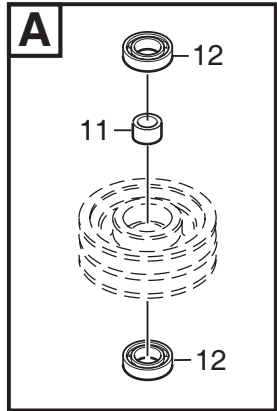
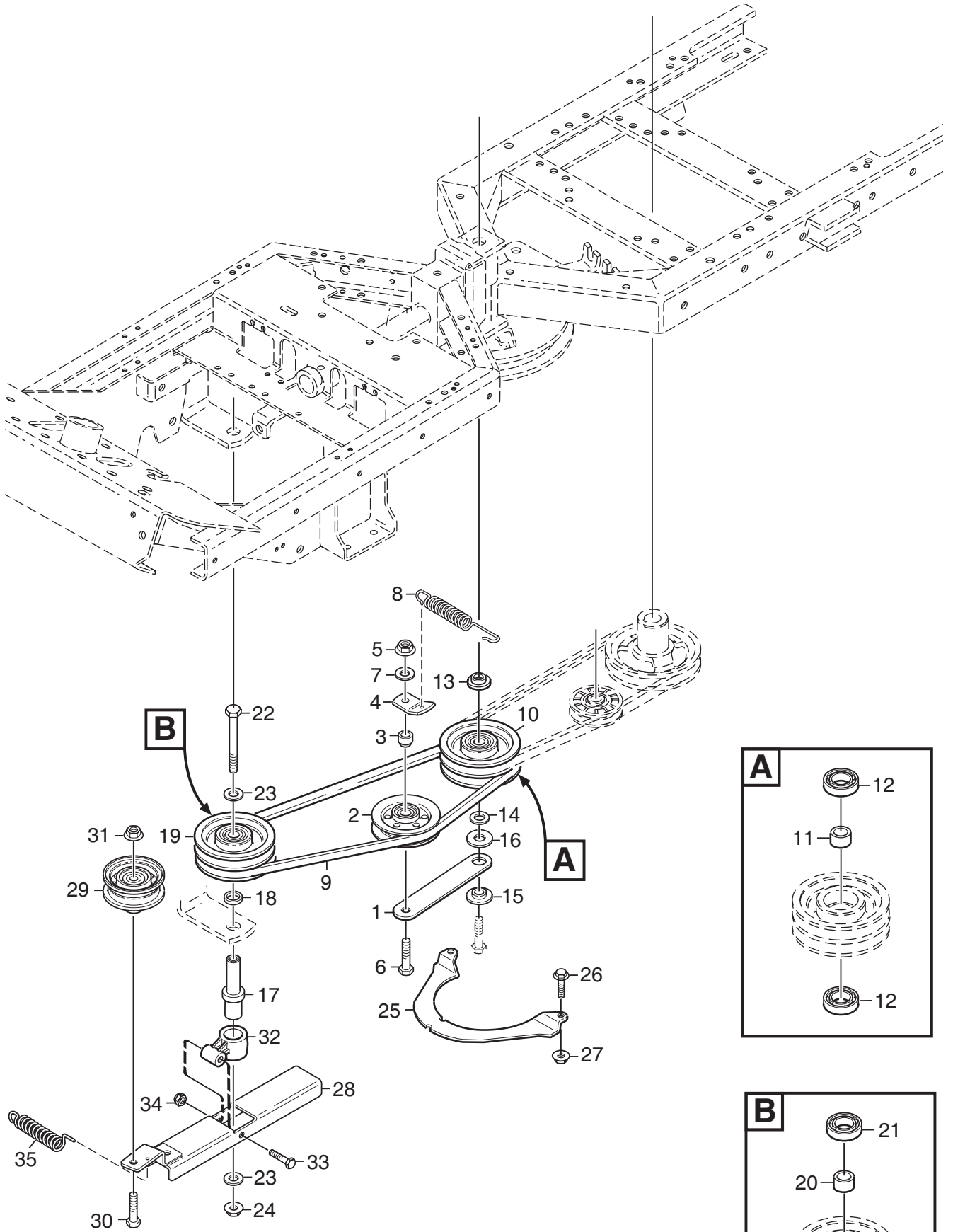
Utgåva Issue 2011- 11		Bildnr Picture No 2028A		PARK COMPACT 4WD TRANSMISSION (hydrauliska delar)		PARK COMPACT 4WD TRANSMISSION (hydraulic parts)		Sida Page 56	
Pos. Fig.	Antal/Quantity				Art nr Part No	Benämning	Description	Sats Kit	Anmärkning Notes
	6104 -21								
	1	1			1134-6044-01	Vinkeladapter .....	Angle coupling .....		3/4" x 9/16"
	1A	1			9404-0029-01	• O-ring .....	• O-ring .....		
	2	1			1134-5875-01	Skäringskoppling .....	Hydraulic coupling .....		3/4"
	2A	1			9404-0029-01	• O-ring .....	• O-ring .....		
	3	1			1134-6039-01	Hydraulrör .....	Hydraulic pipe .....		
	4	1			1134-4948-01	Tredobricka .....	Seal washer .....		1/4"
	5	1			1134-6042-01	Snabbkoppling- hane .....	Quick coupling- male .....		
	6	1			9578-0028-01	Rörklammer .....	Tube clamp .....		
	7	1			9959-0825-16	Skruv .....	Screw .....		
	8	1			1134-1565-09	Distans .....	Spacer .....		
	9	1			1134-5809-01	Adapter .....	Hydraulic coupling .....		3/4" x 9/16"
	9A	1			9404-0029-01	• O-ring .....	• O-ring .....		
X	10	1			1137-0215-01	Hydraulslang .....	Hydraulic tube .....		L = 1200
X	11	1			1137-0195-01	Hydraulslang .....	Hydraulic tube .....		L = 1275
X	12	1			1137-0212-01	Hydraulslang .....	Hydraulic tube .....		L = 1210
	13	1			1134-6011-01	Hydraultank .....	Hydraulic oil tank .....		
X	13A	1			1137-0272-01	• Tanklock .....	• Tank cap .....		
	14	1			1134-6009-01	Tankkonsol .....	Tank bracket .....		
	15	1			9959-0820-16	Skruv .....	Screw .....		
	16	1			9739-0831-22	Mutter .....	Nut .....		
	17	1			9945-0816-16	Skruv .....	Screw .....		
	18	1			1134-6030-01	Tankbygel .....	Tank loop .....		
	19	2			9747-0631-02	Låsmutter .....	Lock nut .....		
X	20	2			9578-0035-01	Slangklämma .....	Hose clamp .....		14,6-17,8
	21	1			1134-2779-08	Slang .....	Tube .....		L = 165 mm
	22	1			9578-0023-04	Slangklämma .....	Hose clamp .....		15x8
	30	1			1134-6162-01	Fäste .....	Bracket .....		
	31	2			9939-0612-16	Skruv .....	Screw .....		
	32	2			9699-0025-02	Planbricka .....	Washer .....		
	33	1			1134-6163-01	Wire .....	Cable .....		
	34	1			9997-0835-12	Skruv .....	Screw .....		
	35	2			9739-0831-22	Mutter .....	Nut .....		
	36	1			1134-6084-01	Reglagekonsol .....	Control bracket .....		
	37	1			1134-6083-01	Reglagestång .....	Control rod .....		
	38	1			1134-4014-01	Plastknopp .....	Plastic button .....		
	39	1			1134-2790-01	Gummihylsa .....	Rubber grommet .....		
	40	1			9675-0009-02	Starlock .....	Starlock .....		
	50	1			1134-4015-01	Dragstång .....	Pull rod .....		
	51	1			1134-4014-01	Plastknopp .....	Plastic button .....		
	52	1			1134-4713-01	Vinkel .....	Bracket .....		
	53	1			1134-2790-01	Gummihylsa .....	Rubber grommet .....		
	54	1			9959-0820-16	Skruv .....	Screw .....		
	55	1			9739-0831-22	Mutter .....	Nut .....		
	56	1			9675-0009-02	Starlock .....	Starlock .....		



Utgåva Issue		Bildnr Picture No		PARK COMPACT 4WD HJUL		PARK COMPACT 4WD WHEELS		Sida Page	
2011-11		2029C						58	
Pos. Fig.	Antal/Quantity				Art nr Part No	Benämning	Description	Sats Kit	Anmärkning Notes
	6104 -21								
1	2				1134-4844-03 Hjulnav .....	Wheel hub .....			
2	2				1134-3383-02 Kil .....	Key .....			
3	2				1134-4558-01 Fälg .....	Rim .....			
4	2				9545-0116-00 Däck .....	Tyre .....			16 x 7.50 - 8
5	2				9545-0500-00 Ventil .....	Valve .....			
6	6				9731-1031-22 Mutter .....	Nut .....			
9	4				1134-5797-01 • Bricka .....	• Washer .....			
10	2				9653-0002-04 • Spärryttare .....	• Lock ring .....			
21	2				1134-4844-02 Hjulnav .....	Wheel hub .....			
22	2				1134-2471-01 Kil .....	Key .....			
23	2				1134-4558-01 Fälg .....	Rim .....			
24	2				9545-0116-00 Däck .....	Tyre .....			16 x 7.50 - 8
25	2				9545-0500-00 Ventil .....	Valve .....			
26	6				9731-1031-22 Mutter .....	Nut .....			
29	2				9699-0042-02 Planbricka .....	Flat washer .....			
30	2				9653-0001-04 Spärryttare .....	Lock ring .....			
31	2				1134-4796-01 Navkapsel .....	Hub cap .....			
32	2				9947-0540-19 Skruv .....	Screw .....			
45	1				13-0993-61 Snabbfäste kpl .....	Quick connections .....			Inkl. pos 9,10,46-51
46	1				1134-7465-01 • Fästen kpl, vä+hö .....	• Attachment kit, LH+RH .....			Inkl. pos 51-51
47	2				1137-0077-01 • Låssprint .....	• Locking pin .....			
48	4				1134-5686-01 • Lagerbussning .....	• Bearing bush .....			
49	2				9501-0502-00 • Smörjnippel .....	• Grease joint .....			
50	2				9898-1035-16 •• Skruv .....	•• Screw .....			
51	2				9739-1031-22 •• Mutter .....	•• Nut .....			
99					9545-0203-00 Innerslang .....	Inner tube .....			Reservdel/spare part



Utgåva Issue		Bildnr Picture No		PARK COMPACT 4WD KRAFTUTTAG 1		PARK COMPACT 4WD POWER TAKE- OFF 1		Sida Page	
2011- 11		2030						60	
Pos. Fig.	Antal/Quantity				Art nr Part No	Benämning	Description	Sats Kit	Anmärkning Notes
	6104 -21								
1	1				1134-2018-02 Spännarm .....	Tension arm .....			
2	1				1134-9027-02 Spännrulle- grå .....	Tension roller- grey .....			
3	1				1134-9071-01 Drivrem .....	V- belt .....			= 9585- 0129- 01
4	1				9997-1030-16 Skruv .....	Screw .....			
5	1				9799-1031-02 Mutter .....	Nut .....			
6	1				1134-4162-01 Bromsstång .....	Brake rod .....			
7	1				9675-0008-02 Starlock .....	Locking washer .....			
8	1				1134-4170-01 Nippel .....	Nipple .....			
9	1				1134-4111-01 Bromsarm .....	Brake arm .....			
10	1				1134-4164-03 Bromsklots .....	Brake pad .....			
11	2				9699-0035-02 Planbricka .....	Flat washer .....			
12	1				9897-0825-16 Skruv .....	Screw .....			
13	1				9747-0831-02 Mutter .....	Lock nut .....			
14	1				9699-0090-02 Planbricka .....	Flat washer .....			
15	1				9699-0025-02 Planbricka .....	Washer .....			
16	1				9747-0631-02 Låsmutter .....	Lock nut .....			
17	1				4231-0013-00 Fjäder .....	Spring .....			
18	1				1134-4231-01 Dragfjäder .....	Spring .....			
19	1				1134-1565-10 Distans .....	Spacer .....			
20	1				9997-0860-12 Skruv .....	Screw .....			
21	1				9699-0056-02 Planbricka .....	Flat washer .....			
22	1				9739-0831-22 Mutter .....	Nut .....			
23	1				1134-4163-01 Ansatskruv .....	Shoulder bolt .....			
24	1				9699-0035-02 Planbricka .....	Flat washer .....			
25	1				9739-1031-22 Mutter .....	Nut .....			
26	1				1134-3958-01 Remstyrning .....	Belt guide .....			
27	2				9893-0616-16 Skruv .....	Screw .....			
28	1				1134-0041-03 Hylsa .....	Collar .....			
29	1				9997-1070-12 Skruv .....	Screw .....			
30	1				9739-1031-22 Mutter .....	Nut .....			



Utgåva Issue		Bildnr Picture No		PARK COMPACT 4WD KRAFTUTTAG 2		PARK COMPACT 4WD POWER TAKE-OFF 2		Sida Page	
2011-11		2031A						62	
Pos. Fig.	Antal/Quantity				Art nr Part No	Benämning	Description	Sats Kit	Anmärkning Notes
	6104 -21								
1	1				1134-1730-01 Spännhjulssarm .....	Tension wheel arm .....			
2	1				1134-3663-01 Spännrulle .....	Tension wheel .....			
3	1				1134-1888-05 Distans .....	Spacer .....			
4	1				1134-1893-01 Fjäderfäste .....	Spring attachment .....			
5	1				9739-1031-22 Mutter .....	Nut .....			
6	1				9997-1060-12 Skruv .....	Screw .....			
7	1				9699-0035-02 Planbricka .....	Flat washer .....			
8	1				1134-5713-01 Dragfjäder .....	Spring .....			
9	1				1134-9098-01 Drivrem .....	V-belt .....			
10	1				1137-0004-01 Centrumremskiva kpl. ....	Centre pulley assy .....			= 9585-0148-01 Inkl. pos 11-12
11	1				1134-0051-09 • Distans .....	• Spacer .....			
12	2				9549-0019-00 • Kullager .....	• Ball bearing .....			
13	1				1134-5548-01 Distans .....	Spacer .....			
14	1				9699-0035-02 Planbricka .....	Flat washer .....			
15	1				1134-0222-00 Bricka .....	Washer .....			
16	1				9699-0109-02 Planbricka .....	Flat washer .....			
17	1				1134-5663-01 Axel .....	Shaft .....			
18	1				1134-0052-00 Lagerdistans .....	Bearing spacer .....			
19	1				1137-0004-01 Centrumremskiva kpl. ....	Centre pulley assy .....			Inkl. pos 20-21
20	1				1134-0051-09 • Distans .....	• Spacer .....			
21	2				9549-0019-00 • Kullager .....	• Ball bearing .....			
22	1				9997-1011-06 Skruv .....	Screw .....			
23	2				9699-0030-02 Planbricka .....	Flat washer .....			
24	1				9739-1031-22 Mutter .....	Nut .....			
25	1				1134-3654-01 Fingerskydd .....	Finger guard .....			
26	2				9959-0612-16 Skruv .....	Screw .....			
27	2				9739-0631-22 Mutter .....	Nut .....			
28	1				1134-5660-01 Spännarm .....	Tension arm .....			
29	1				1134-5823-01 Spännrulle .....	Tension roller .....			
30	1				9997-1050-16 Skruv .....	Screw .....			
31	1				9739-1031-22 Mutter .....	Nut .....			
32	1				1134-6314-01 Spännarmsfäste .....	Attachment .....			
33	1				9997-0645-12 Skruv .....	Screw .....			
34	1				9747-0631-02 Låsmutter .....	Lock nut .....			
35	1				1134-5824-01 Fjäder .....	Spring .....			