

Genuine Spare Parts

www.stiga.com

VILLA HST Model Year 2011/2012

includes:

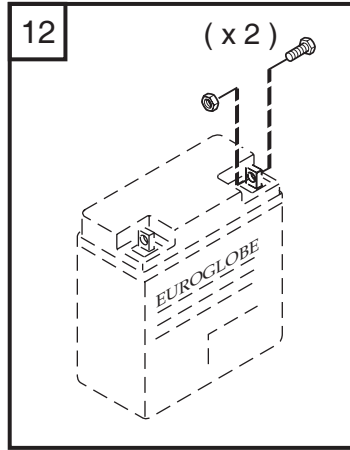
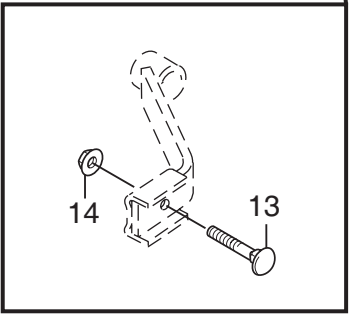
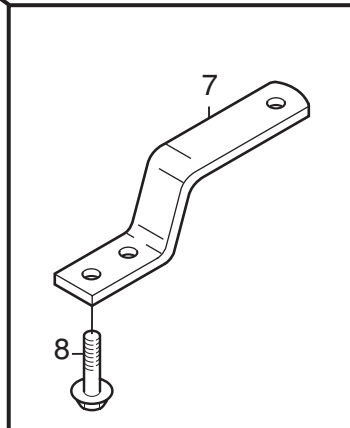
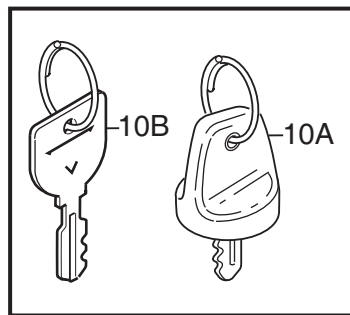
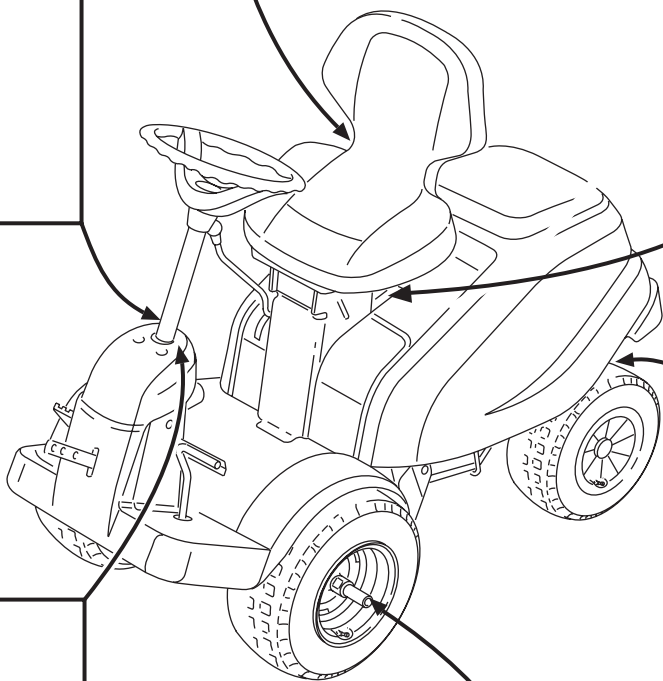
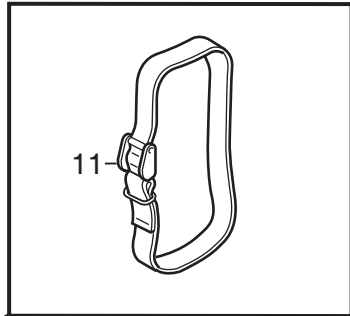
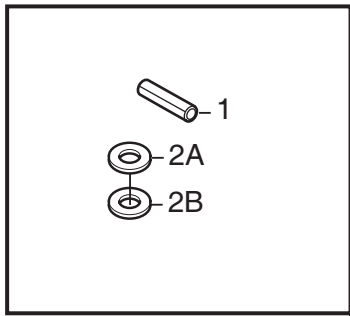
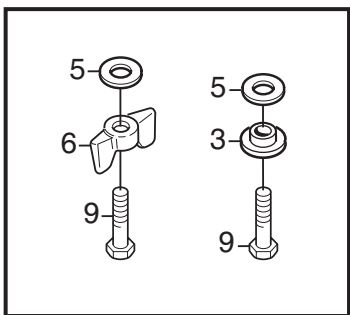
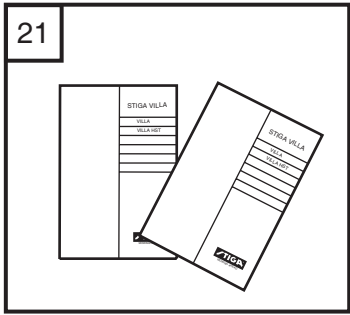
- 13-2729-15 Villa 12 HST
- 13-2729-35 Villa 12 HST (FR)
- 13-2718-14 Villa 14 HST
- 13-2718-34 Villa 14 HST (FR)
- 13-2728-14 Villa Silent
- 13-2728-34 Villa Silent (FR)

- Use GLOBAL GARDEN PRODUCT Genuine Spare Parts specified in the parts list for repair and/or replacement.
- The contents described in the parts list may change due to improvement.
- The drawings of the spare parts are only indicative and might not represent the part in question exactly.
- The indications "right" - "left" - "front" - "rear" refer to the position of the operator when using the machine.
- When placing orders of parts for repair and/or replacement, make sure that the illustrated parts list is the one applying to the machine's year of manufacture, as shown on the identification plate attached to the machine.

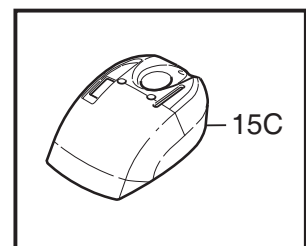
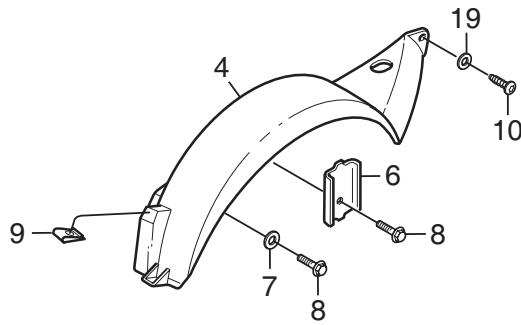
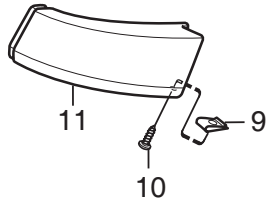
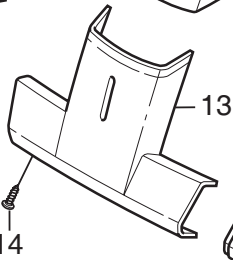
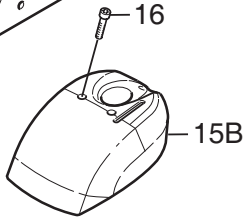
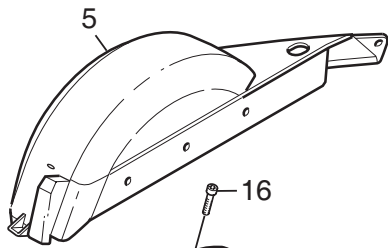
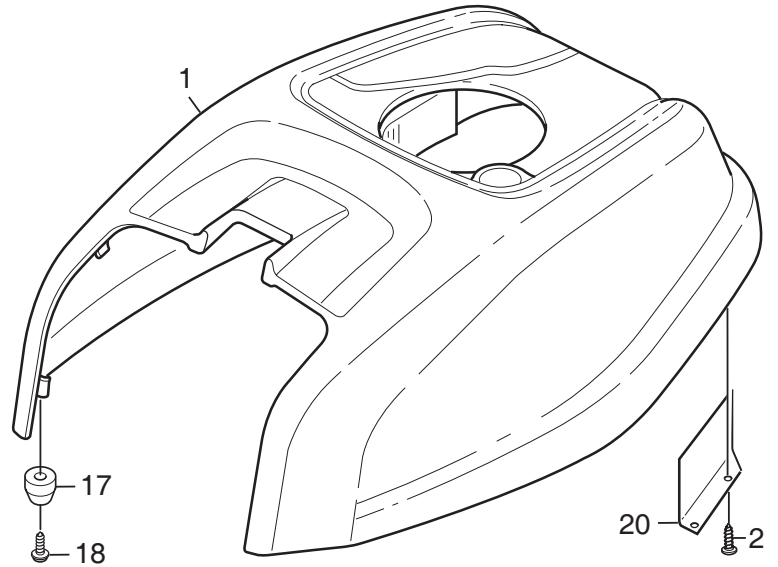
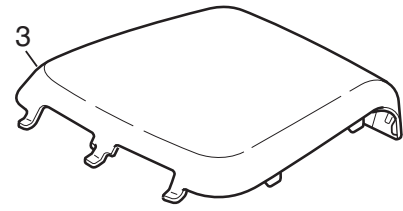
COPYRIGHT by GLOBAL GARDEN PRODUCTS

All rights reserved. No part of this material may be reproduced or transmitted, in any form or by any means, electronic or mechanical, including photocopying, recording or by any information storage and retrieval system, without permission in writing from GLOBAL GARDEN PRODUCTS.

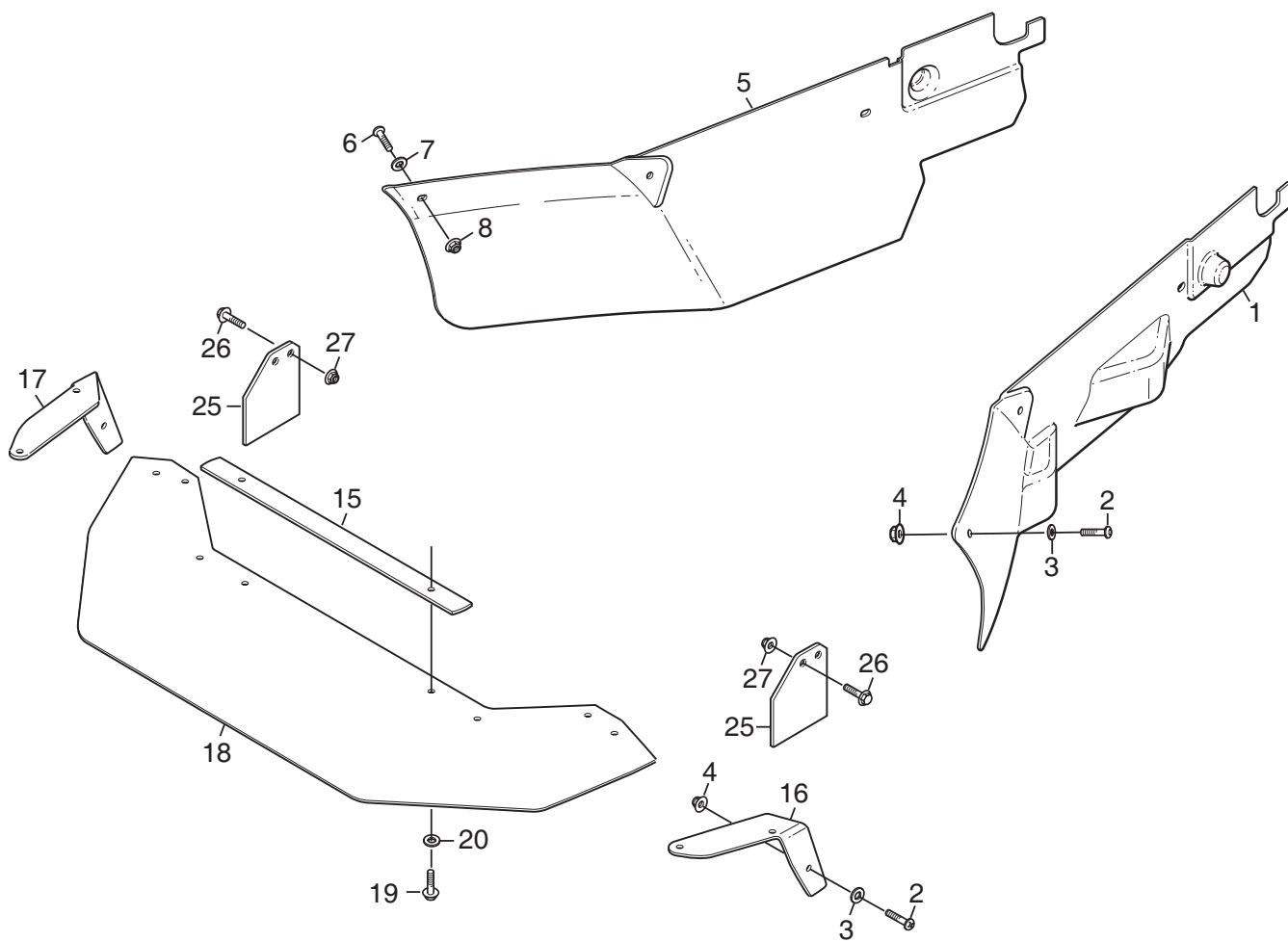




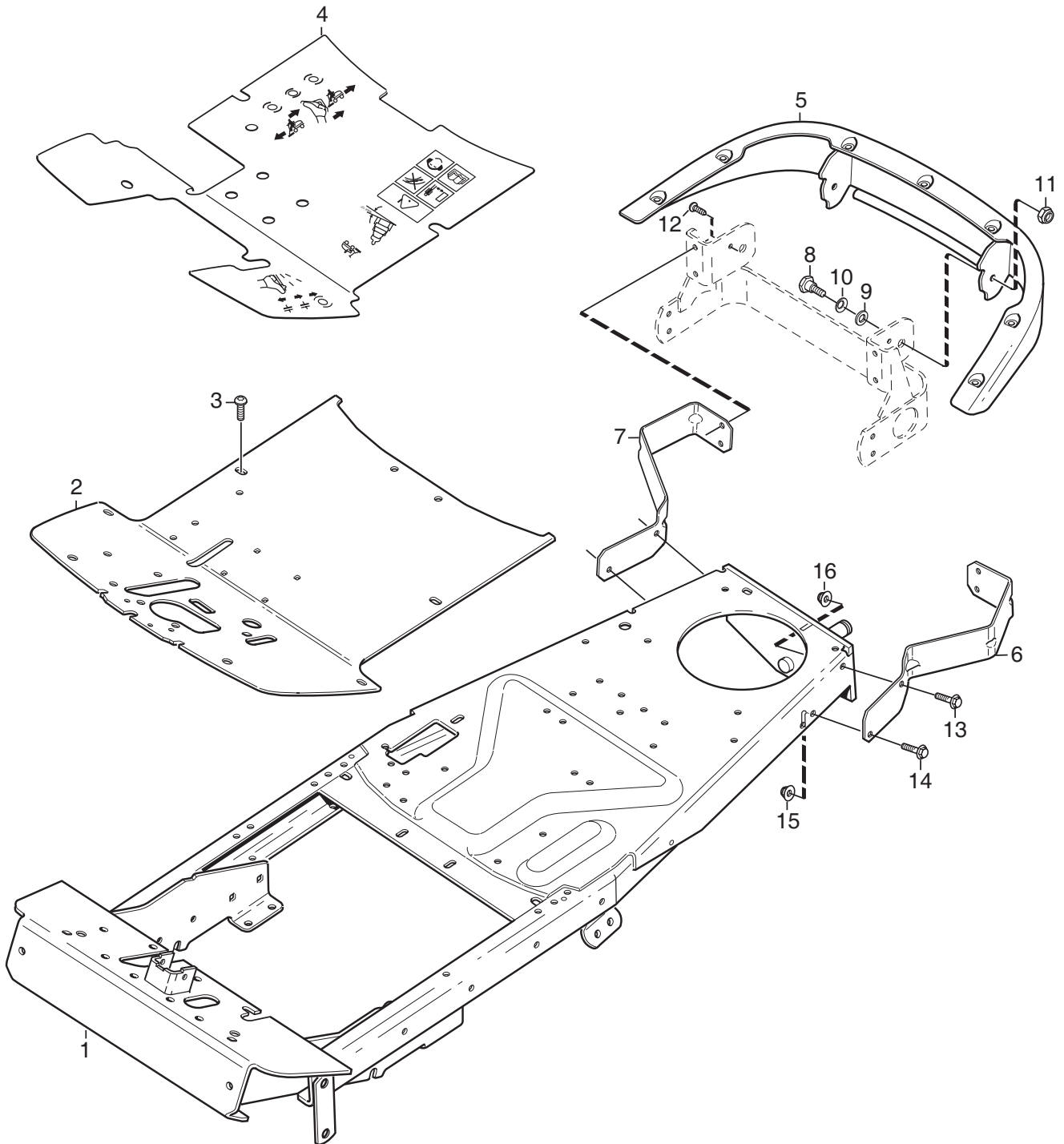
Utgåva Issue		Bildnr Picture No		VILLA HST MONTERINGSDETALJER		VILLA HST ASSEMBLY PARTS		Sida Page	
2011-11		2196A						288	
Pos. Fig.	Antal/Quantity			Art nr Part No	Benämning	Description	Sats Kit	Anmärkning Notes	
	2718 2728 2729	2718 2728 FR							
1	1	1		9595-0262-00	Spännstift	Locating pin			
2A	1	1		9699-0103-02	Shims	Flat washer		0.5 mm	
2B	1	1		9699-0114-02	Shims	Flat washer		1.0 mm	
3	2	2		1134-4185-01	Ansatsbricka	Flange washer			
5	4	4		9699-0056-02	Planbricka	Flat washer			
6	2	2		1134-4481-01	Vingmutter	Wing nut			
7	1	1		1134-4627-01	Dragögla	Tow bar			
8	2	2		9959-0820-16	Skruv	Screw			
9	4	4		9997-0820-16	Skruv	Screw			
10A	1	1		1134-4734-01	Tändningsnyckel	Ignition key			
10B	1	1		1134-6125-01	Tändningsnyckel	Ignition key			
11	1	1		1134-5245-01	Batterirem	Battery strap			
12	1	1		1134-6113-01	Batteriskruvar	Battery screws			
13	2	2		9898-1035-16	Skruv	Screw			
14	2	2		9739-1031-22	Mutter	Nut			
X X X X X X	21	1		8211-0011-10	Bruksanvisning	Owner's manual			
	21	1		8211-0049-10	Bruksanvisning	Owner's manual		France	
	21	1		8211-0603-10	Monteringsanvisning	Assy instructions			
	21	1		8211-0701-10	Säkerhetsföreskrifter	Safety regulations			
	21	1	1	8211-0960-10	Garantikort	Warranty card			



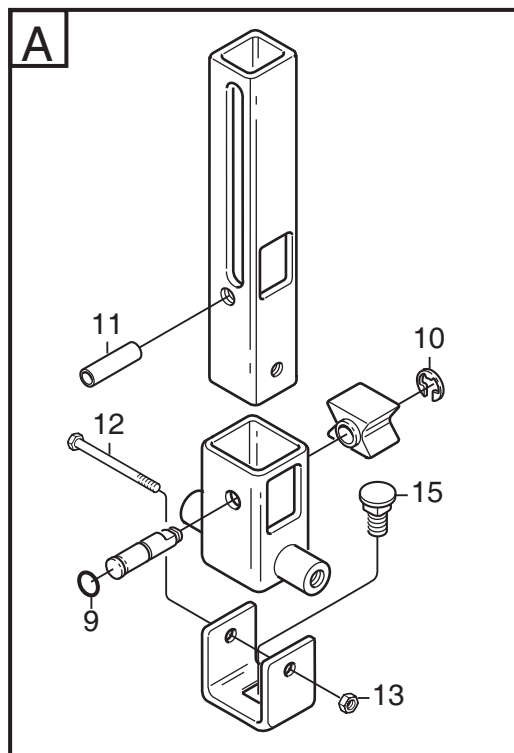
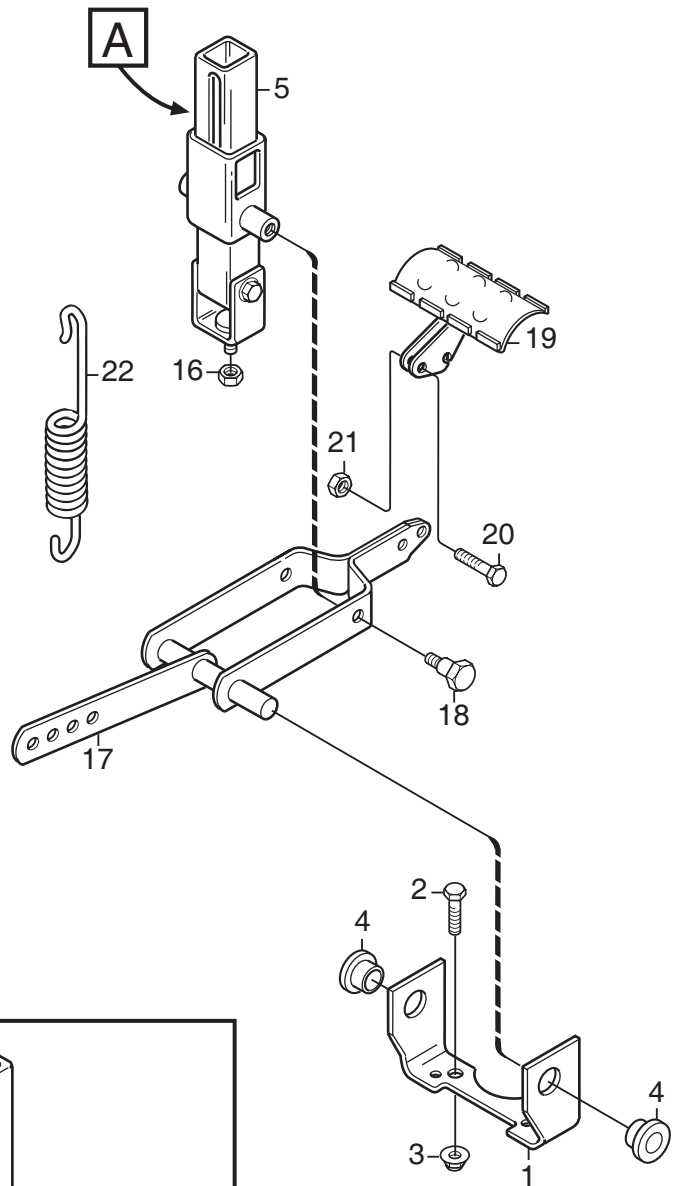
Utgåva Issue		Bildnr Picture No		VILLA HST KAROSS		VILLA HST BODY WORK		Sida Page	
2011-11		2197A						290	
Pos. Fig.	Antal/Quantity			Art nr Part No	Benämning	Description	Sats Kit	Anmärkning Notes	
	2729	2718	2728						
1	1	1	1	1134-5283-02	Motorhuv- gul	Engine hood- yellow			
2	7	7	7	9838-9530-12	Skruv	Screw			
3	1	1	1	1134-5284-02	Motorlucka- grå	Engine cover- grey			
4	1	1	1	1134-5307-01	Stänkskärm- vä, grå	Mud guard- LH, grey			
5	1	1	1	1134-5307-02	Stänkskärm- hö, grå	Mud guard- RH, grey			
6	2	2	2	1137-0088-01	Stödplåt	Support plate			
7	4	4	4	9699-0056-02	Planbricka	Flat washer			
8	6	6	6	9945-0816-16	Skruv	Screw			
9	4	4	4	1134-4176-01	Clips	Clips			
10	4	4	4	9893-0616-16	Skruv	Screw			
11	1	1	1	1134-5306-01	Stötfångare, front- vä	Bumper, front- LH			
12	1	1	1	1134-5306-02	Stötfångare, front- hö	Bumper, front- RH			
13	1	1	1	1134-5305-01	Front- nedre	Front plate- lower			
14	6	6	6	9893-0616-16	Skruv	Screw			
15B	1	1		1134-5320-02	Front- övre	Front- upper			
15C			1	1134-5320-05	Front- övre	Front- upper			
16	2	2	2	9946-0525-16	Skruv	Screw			
17	2	2	2	1134-4790-02	Styrning	Hood guide			
18	2	2	2	9838-9530-12	Skruv	Screw			
19	2	2	2	9699-0060-02	Planbricka	Flat washer			
20			1	1134-6199-01	Deflektor	Deflector			
99	1			1134-6426-01	Dekalsats	Label kit		Villa 12	
99		1		1134-6426-02	Dekalsats	Label kit		Villa 14 HST	



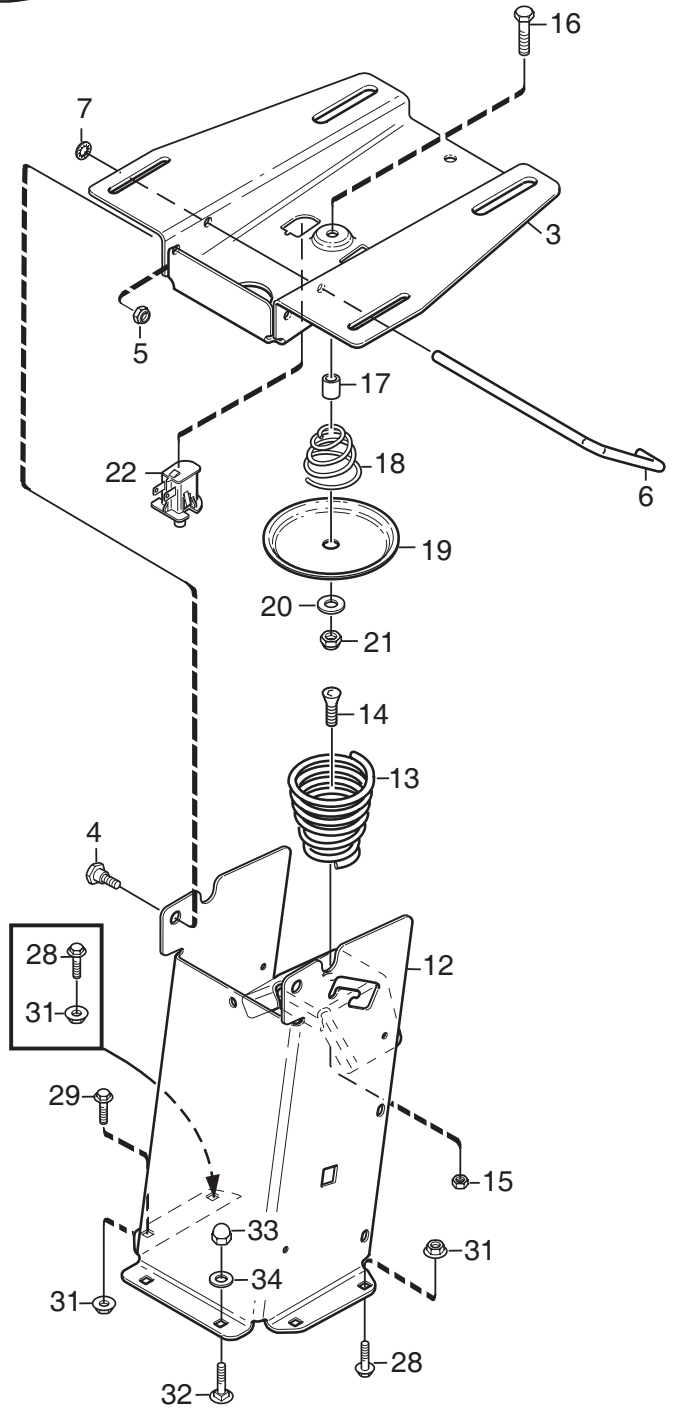
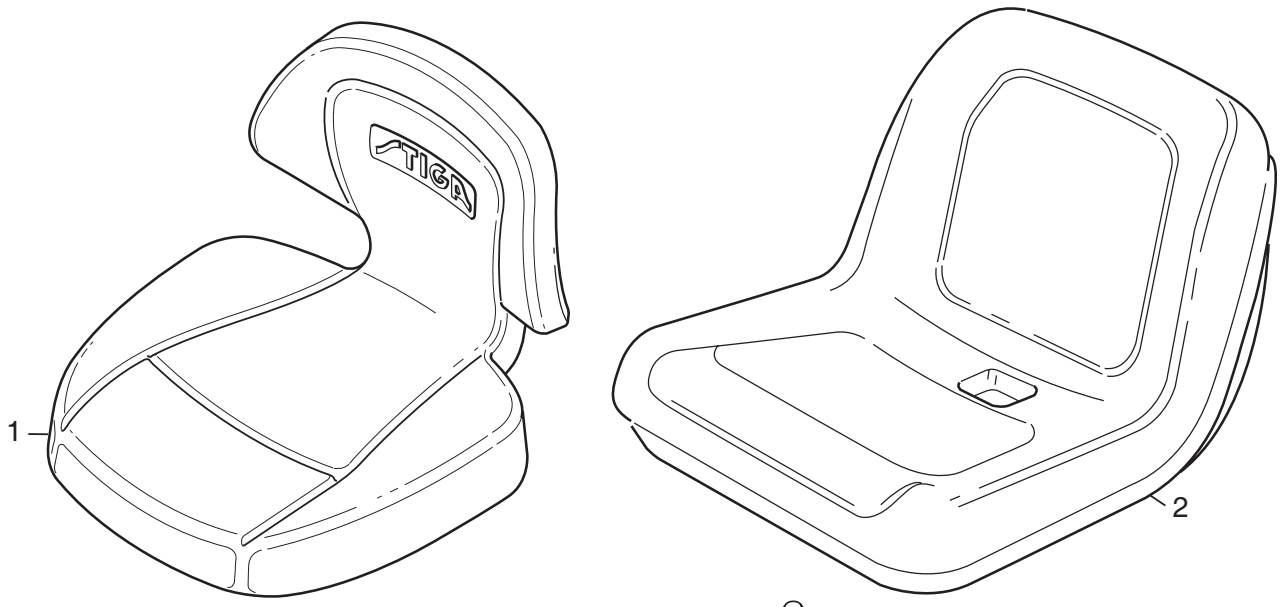
Utgåva Issue 2011-11		Bildnr Picture No 2819		VILLA HST KAROSS (Frankrike)		VILLA HST BODY WORK (France)		Sida Page 292	
Pos. Fig.	Antal/Quantity				Art nr Part No	Benämning	Description	Sats Kit	Anmärkning Notes
	2718	2728	2729	FR					
X	1	1			1137-0226-02	Sidoskydd-vä	Side guard- LH		
	2	2			9893-0616-16	Skruv	Screw		
	3	2			9699-0060-02	Planbricka	Flat washer		
	4	2			9739-0631-22	Mutter	Nut		
X	5	1			1137-0248-02	Sidoskydd-hö	Side guard- RH		
	6	2			9893-0616-16	Skruv	Screw		
	7	2			9699-0060-02	Planbricka	Flat washer		
	8	2			9739-0631-22	Mutter	Nut		
X	15	1			1137-0229-01	Fäste	Bracket		
X	16	1			1137-0230-01	Fäste-vä	Bracket- LH		
X	17	1			1137-0230-02	Fäste-hö	Bracket- RH		
X	18	1			1137-0228-02	Gummiduk	Rubber sheet		
	19	2			9959-0620-16	Skruv	Screw		
	20	2			9699-0060-02	Planbricka	Flat washer		
X	25	2			1137-0231-01	Skydd	Guard		
	26	2			9959-0820-16	Skruv	Screw		
	27	2			9739-0831-22	Mutter	Nut		



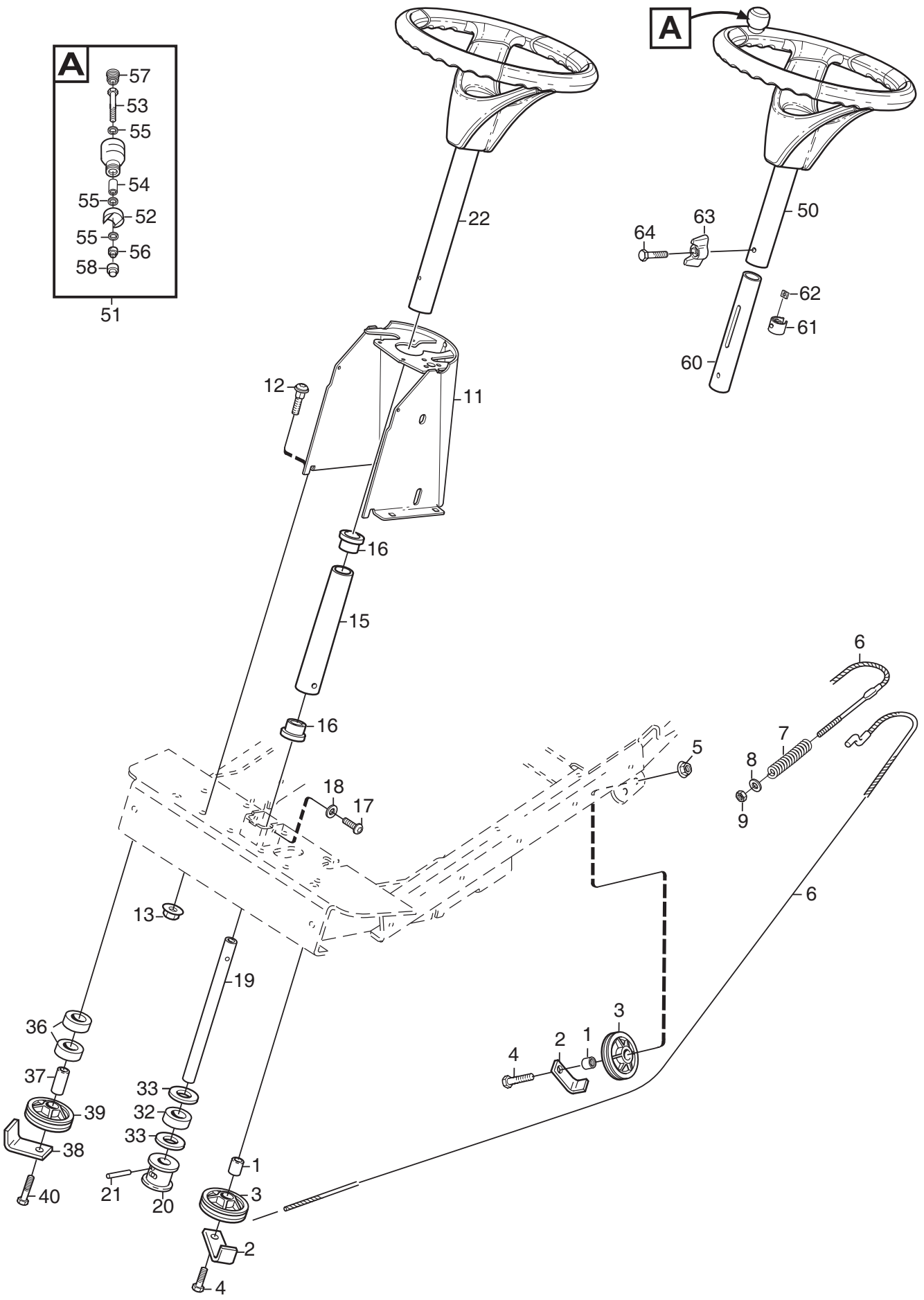
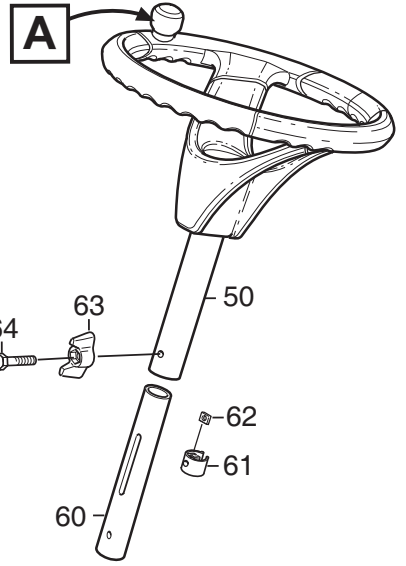
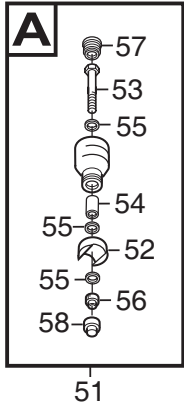
Utgåva Issue		Bildnr Picture No		VILLA HST RAM		VILLA HST FRAME		Sida Page	
2011-11		1642B						294	
Pos. Fig.	Antal/Quantity				Art nr Part No	Benämning	Description	Sats Kit	Anmärkning Notes
	2718	2728	2729						
1	1				1134-6635-01 Ram.....	Frame.....			
2	1				1134-5293-01 Durk.....	Floor plate.....			
3	2				9893-0616-16 Skruv.....	Screw.....			
4	1				1134-5339-03 Durkmatta.....	Floor mat.....			
5	1				1134-5453-03 Stötfångare- bak, grå.....	Bumper- rear, grey.....			
6	1				1134-6630-01 Stag- vä.....	Attachment- LH.....			
7	1				1134-6630-02 Stag- hö.....	Attachment- RH.....			
8	2				1134-0240-00 Ansatssskruv.....	Shoulder screw.....			
9	2				1134-4242-01 Distansbricka.....	Spacer washer.....			
10	2				9694-0001-00 Fjäderbricka.....	Washer.....			
11	2				9747-0831-02 Mutter.....	Lock nut.....			
12	2				9943-0516-16 Skruv.....	Screw.....			
13	2				9959-0820-16 Skruv.....	Screw.....			L = 20 mm
14	2				9959-0825-16 Skruv.....	Screw.....			L = 25 mm
15	1				9739-0831-22 Mutter.....	Nut.....			
16	3				9739-0831-22 Mutter.....	Nut.....			



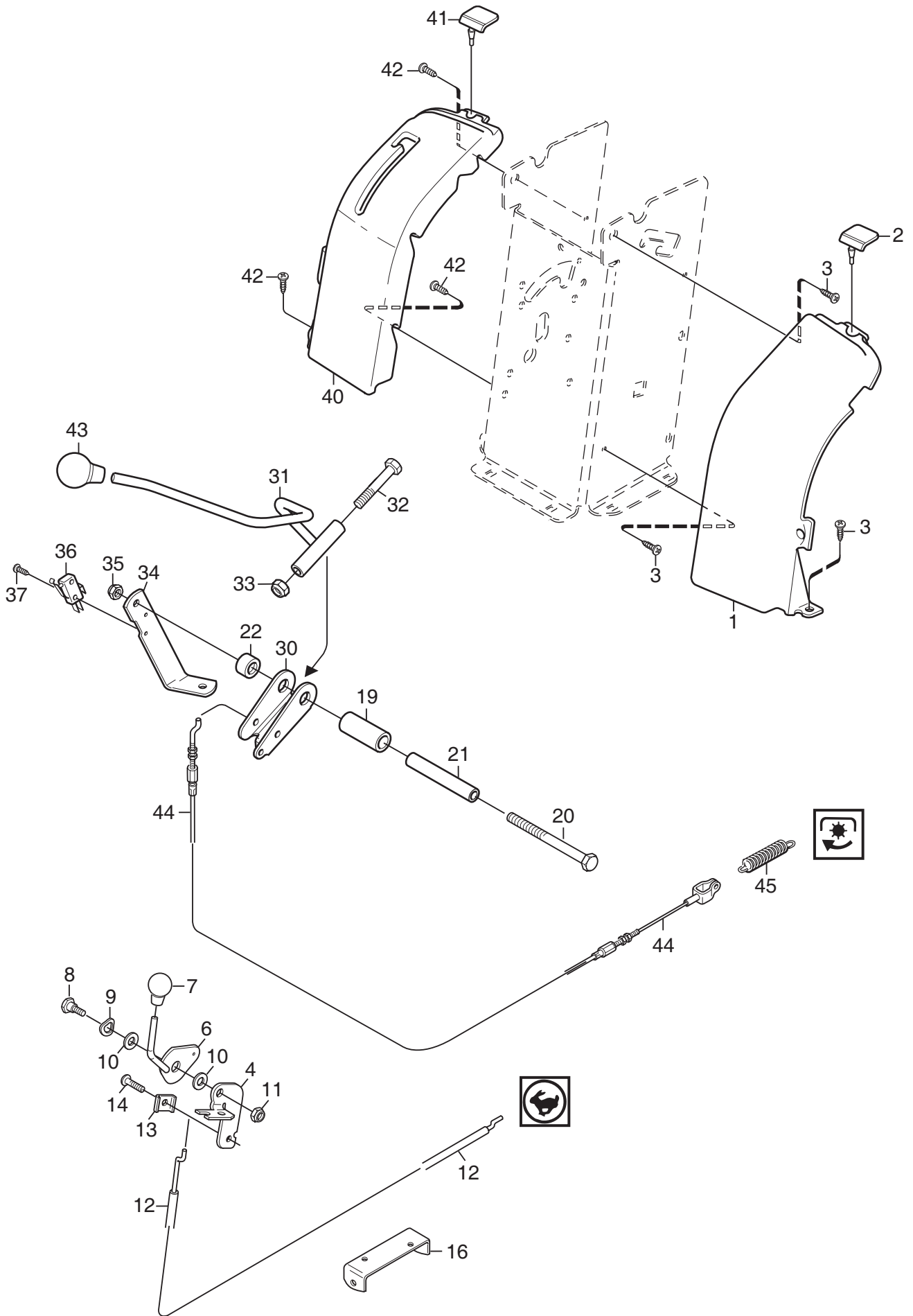
Utgåva Issue		Bildnr Picture No		VILLA HST REDSKAPSLYFT		VILLA HST LIFTING DEVICE		Sida Page	
2011-11		1151C						296	
Pos. Fig.	Antal/Quantity				Art nr Part No	Benämning	Description	Sats Kit	Anmärkning Notes
	2718	2728	2729						
1	1				1134-4117-01 Fäste	Bracket			
2	2				9959-1025-16 Skruv	Screw			
3	2				9739-1031-22 Mutter	Nut			
4	2				1134-2684-01 Lager	Bearing			
5	1				1134-4945-01 Lyftspärr kpl	Lift catch assy			
9	1				9404-0027-01 • O-ring	• O-ring			
10	1				9650-0039-04 • Seegersäkring	• Lock ring			
11	1				9595-0276-01 • Spännstift	• Locating pin			
12	1				9997-0640-12 • Skruv	• Screw			
13	1				9747-0631-02 • Låsmutter	• Lock nut			
15	1				9897-0820-16 • Skruv	• Screw			
16	1				9747-0831-02 Mutter	Lock nut			
17	1				1134-4860-01 Lyftgaffel	Lift fork			
18	2				1134-0240-00 Ansätsskruv	Shoulder screw			
19	1				1134-4938-01 Lyftpedal	Lift pedal			
20	2				9997-0625-16 Skruv	Screw			
21	2				9739-0631-22 Mutter	Nut			
22	1				4231-0013-00 Fjäder	Spring			



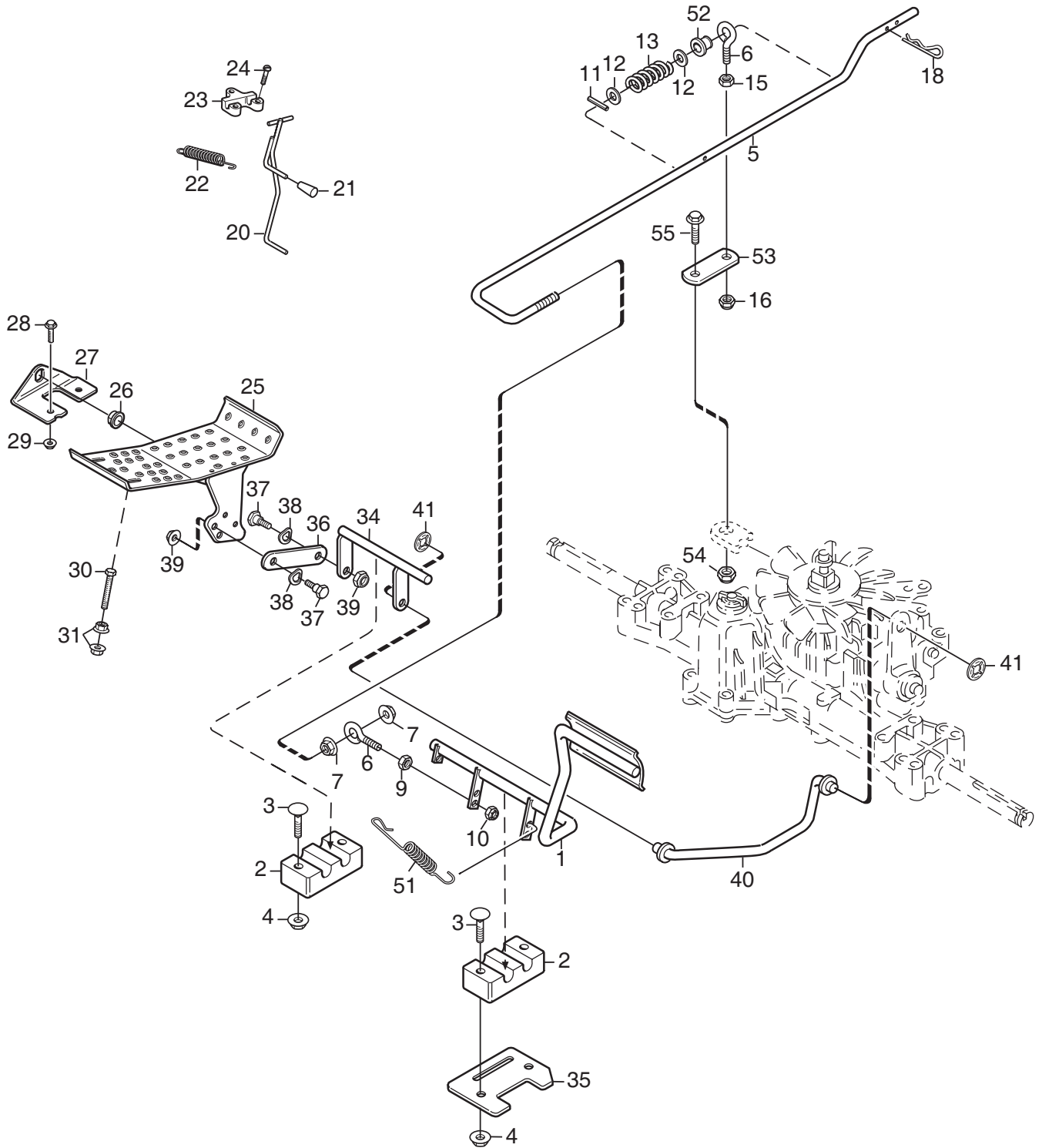
Utgåva Issue		Bildnr Picture No		VILLA HST SITS		VILLA HST SEAT		Sida Page	
2011-11		2198A						298	
Pos. Fig.	Antal/Quantity			Art nr Part No	Benämning	Description	Sats Kit	Anmärkning Notes	
	2729	2718 2728							
1	1			1134-5506-01	Sits	Seat			
2		1		1134-6444-01	Sits	Seat			
3	1	1		1134-5301-01	Sitsplatta	Seat plate			
4	2	2		1134-0240-00	Ansatssskruv	Shoulder screw			
5	2	2		9747-0831-02	Mutter	Lock nut			
6	1	1		1134-5454-01	Spärr	Catch			
7	1	1		9675-0012-02	Starlock	Locking washer			
12	1	1		1134-5296-04	Sitskonsol- gul	Seat bracket- yellow			
13	1	1		1134-4256-01	Sitsfjäder	Seat spring			
14	1	1		9924-1235-19	Skruv	Screw			
15	1	1		9747-1231-02	Låsmutter	Lock nut			
16	1	1		9997-0840-12	Skruv	Screw			
17	1	1		1134-1565-06	Distans	Spacer			
18	1	1		1134-5302-01	Fjäder	Spring			
19	1	1		1134-5299-01	Tryckplatta	Push plate			
20	1	1		9699-0090-02	Planbricka	Flat washer			
21	1	1		9747-0831-02	Mutter	Lock nut			
22	1	1		1134-3156-02	Brytare (grå)	Switch (grey)			
28	3	3		9959-0820-16	Skruv	Screw		L = 20 mm	
29	1	1		9959-0825-16	Skruv	Screw		L = 25 mm	
31	4	4		9739-0831-22	Mutter	Nut			
32	2	2		9897-0820-16	Skruv	Screw			
33	2	2		9757-0821-02	Hattmutter	Cap nut			
34	2	2		9699-0090-02	Planbricka	Flat washer			



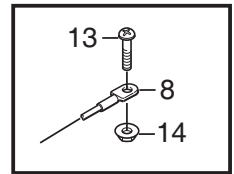
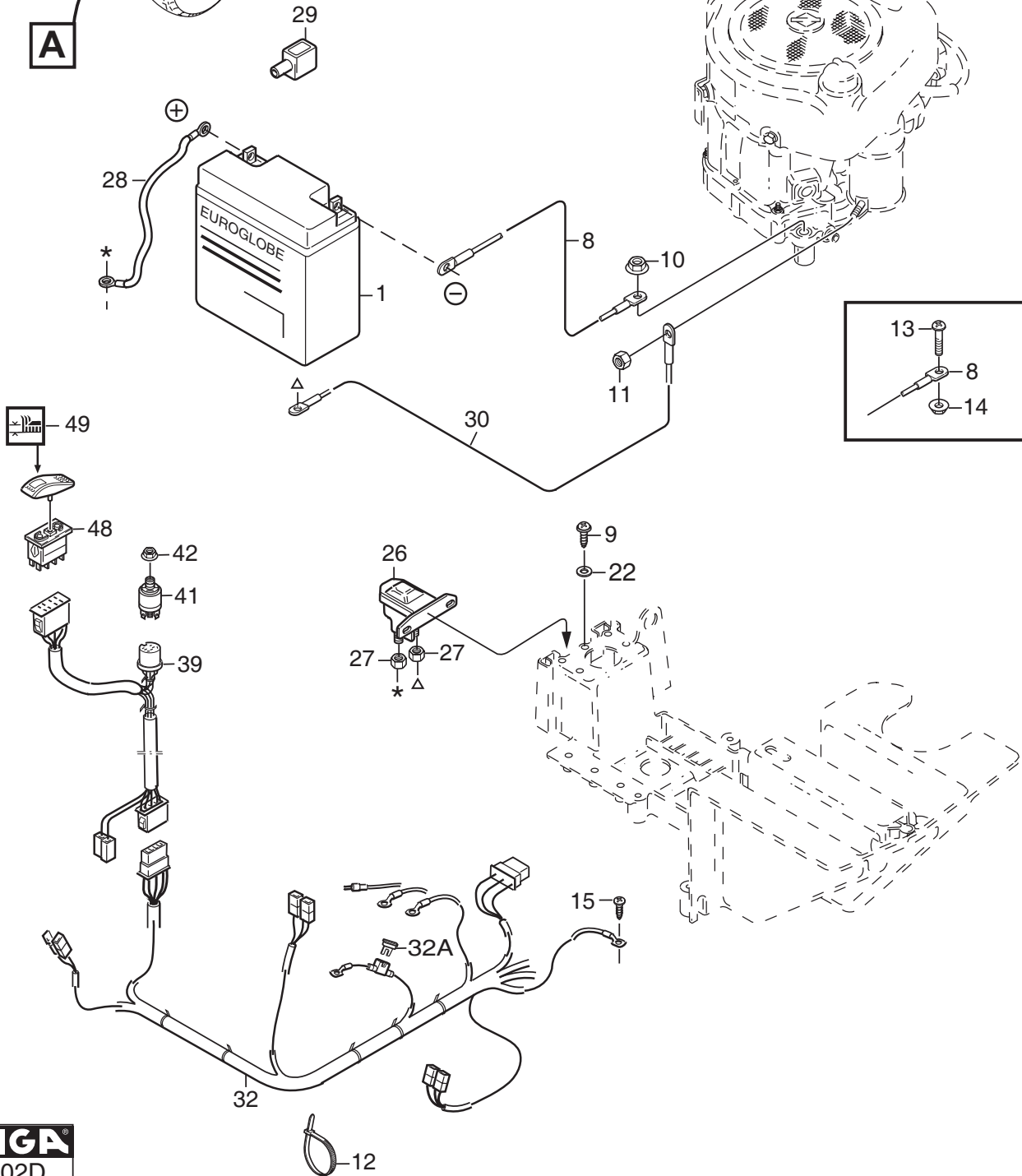
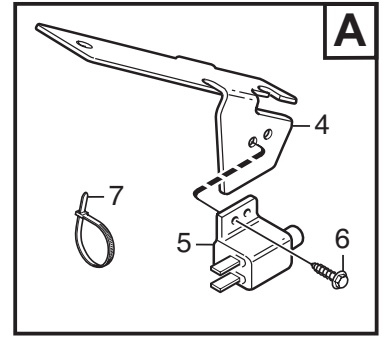
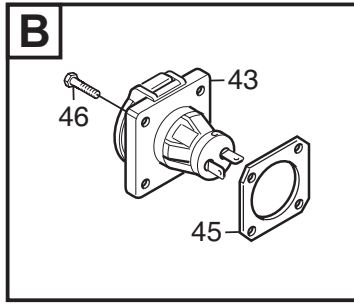
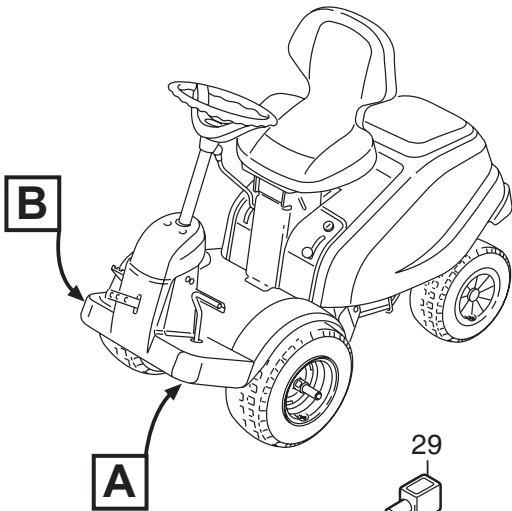
Utgåva Issue		Bildnr Picture No		VILLA HST STYRNING		VILLA HST STEERING		Sida Page	
2011-11		2199B						300	
Pos. Fig.	Antal/Quantity			Art nr Part No	Benämning	Description	Sats Kit	Anmärkning Notes	
	2729	2718 2728							
1	3	3		1134-0041-01	Linhjulshylsa	Bushing.....			
2	3	3		1134-0046-00	Linhållare.....	Wire clamp.....			
3	1	1		1134-9025-01	Linhjul- sats	Steering pulley- kit		Sats 2 st/kit of 2	
4	3	3		9997-1040-16	Skruv.....	Screw.....		L = 40 mm	
5	2	2		9739-1031-22	Mutter.....	Nut.....			
6	1	1		1134-9154-01	Styrwire.....	Steering cable			
7	1	1		1134-1310-01	Tryckfjäder.....	Compression spring.....			
8	1	1		9699-0056-02	Planbricka.....	Flat washer.....			
9	1	1		9747-0831-02	Mutter.....	Lock nut.....			
11	1	1		1134-5349-03	Styrkonsol- grå	Steering console- grey			
12	4	4		9897-0820-16	Skruv.....	Screw.....			
13	4	4		9739-0831-22	Mutter.....	Nut.....			
15	1	1		1134-1305-05	Rattrör- nedre	Steering column- lower			
16	2	2		1134-1901-01	Lager	Bearing.....			
17	2	2		9893-0616-16	Skruv.....	Screw.....			
18	2	2		9699-0060-02	Planbricka.....	Flat washer.....			
19	1	1		1134-5495-01	Rattstång	Steering rod			
20	1	1		1134-1933-01	Styrrulle.....	Steering pulley			
21	1	1		9595-0262-00	Spännstift	Locating pin			
22	1	1		1134-5496-01	Ratt.....	Steering wheel			
32	1	1		1134-3047-01	Distans	Spacer.....			
33	2	2		9699-0104-02	Bricka	Washer.....			
36	2	2		1134-3047-01	Distans	Spacer.....			
37	1	1		1134-0041-05	Hylsa	Bushing.....			
38	1	1		1134-0046-00	Linhållare.....	Wire clamp.....			
39	1	1		1134-9025-01	Linhjul- sats	Steering pulley- kit		Sats 2 st/kit of 2	
40	1	1		9997-1060-12	Skruv.....	Screw.....		L = 60 mm	
50		1		1134-6330-02	Ratt.....	Steering wheel			
51		1		1134-3769-01	• Styrknopp kpl	• Steering wheel button			
52		1		1134-3752-01	•• Knoppfäste.....	•• Knob holder.....			
53		1		9997-0870-16	•• Skruv	•• Screw			
54		1		1134-1565-06	•• Distans.....	•• Spacer			
55		3		9699-0090-02	•• Planbricka	•• Flat washer			
56		1		9747-0831-02	•• Mutter	•• Lock nut			
57		1		9403-0043-70	•• Plugg	•• Plug.....			
58		1		9403-0113-00	•• Mutterhatt	•• Nut cap.....			
60		1		1134-5216-02	Rattrör- inre	Steering tube- inner.....			
61		1		1134-5177-01	• Slid	• Slide.....			
62		1		9710-0631-12	• Fyrkantmutter	• Square nut			
63		1		1134-4481-02	Vingmutter.....	Wing nut			
64		1		9997-0630-12	Skruv	Screw.....			



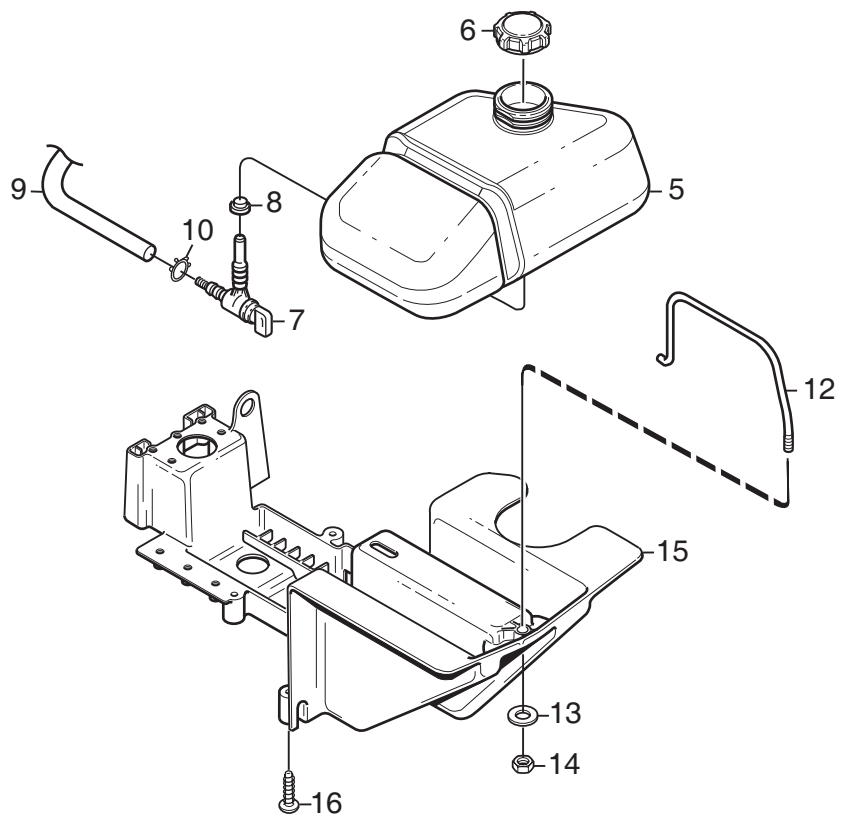
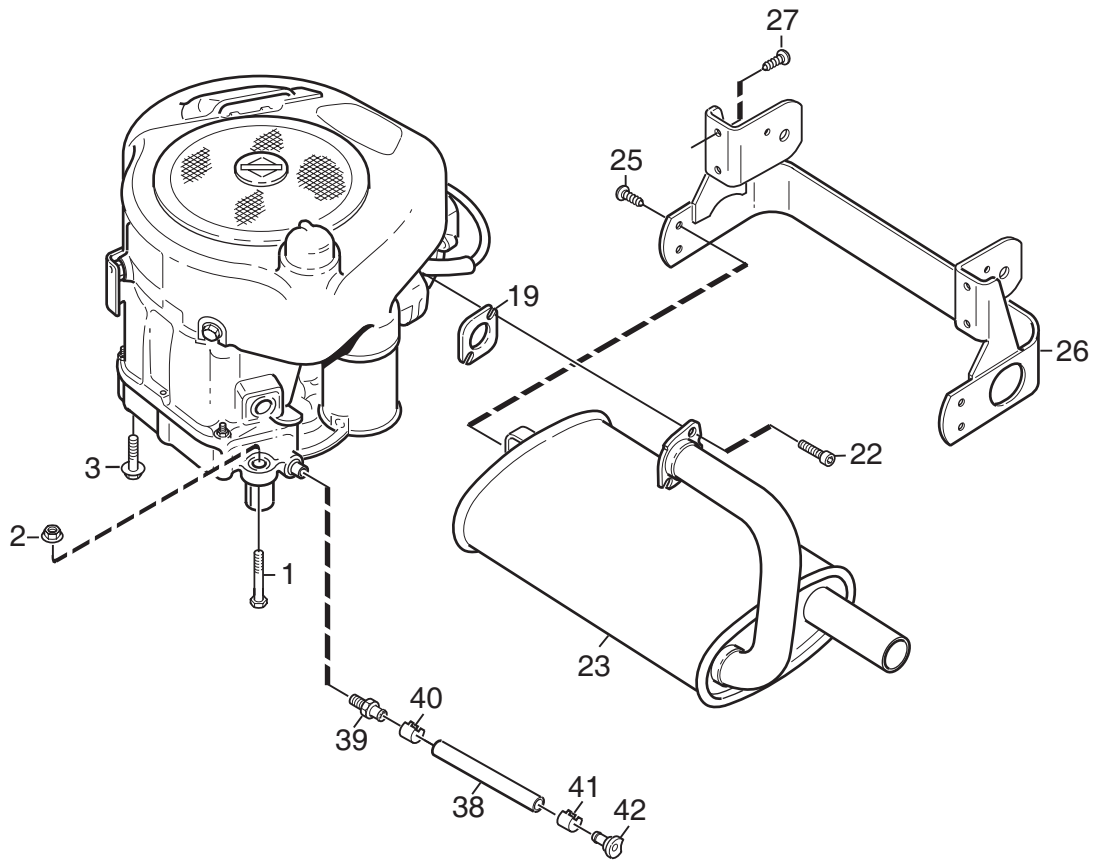
Utgåva Issue 2011- 11		Bildnr Picture No 2201		VILLA HST HANDREGLAGE		VILLA HST HAND CONTROLS		Sida Page 302	
Pos. Fig.	Antal/Quantity			Art nr Part No	Benämning	Description	Sats Kit	Anmärkning Notes	
	2718 2729	2728							
1	1	1		1134-5286-04	Reglagepanel- vä	Control panel- LH			
2	2	2		1134-5531-01	Dämpare	Absorber			
3	3	3		9893-0616-16	Skruv	Screw			
4	1	1		1134-5464-01	Fäste	Bracket			
6	1	1		1134-5465-01	Gasreglage.....	Throttle lever			
7	1	1		1134-4078-01	Knopp	Knob			
8	1	1		1134-0240-00	Ansatssskruv	Shoulder screw			
9	1	1		9694-0001-00	Fjäderbricka	Washer			
10	2	2		1134-4242-01	Distansbricka	Spacer washer			
11	1	1		9747-0831-02	Mutter	Lock nut			
12	1			1134-4197-03	Gaswire	Throttle cable			
12		1		1134-4197-05	Gaswire	Throttle cable			
13	1	1		9500-9991-00	Wireklämma	Cable clamp			
14	1	1		9943-0516-16	Skruv	Screw			
16	1	1		1134-6370-01	Wirestyrning	Wire guide			
19	1	1		1134-5508-01	Reglagehylsa	Control sleeve			
20	1	1		9997-0812-02	Skruv	Screw			
21	1	1		1134-5274-02	Distans	Spacer			
22	1	1		1134-3047-01	Distans	Spacer			
30	1	1		1134-5271-01	Reglagefäste	Control bracket			
31	1	1		1134-5276-01	Reglagespak	Control lever			
32	1	1		9997-0890-12	Skruv	Screw			
33	1	1		9747-0831-02	Mutter	Lock nut			
34	1	1		1134-5356-01	Stag	Strut			
35	1	1		9747-0831-02	Mutter	Lock nut			
36	1	1		9400-0360-01	Mikrobrytare	Micro switch			
37	2	2		9840-7716-16	Skruv	Screw			
40	1	1		1134-5285-02	Reglagepanel- hö	Control panel- RH			
41	2	2		1134-5531-01	Dämpare	Absorber			
42	4	4		9893-0616-16	Skruv	Screw			
43	1	1		1134-2551-01	Reglageknopp	Knob			
44	1	1		1134-3573-06	Kraftuttagswire	PTO cable			
45	1	1		1134-1242-02	Fjäder	Spring			



Utgåva Issue		Bildnr Picture No		VILLA HST FOTREGLAGE		VILLA HST FOOT CONTROLS		Sida Page	
2011-11		1645B						304	
Pos. Fig.	Antal/Quantity				Art nr Part No	Benämning	Description	Sats Kit	Anmärkning Notes
	2718	2728	2729						
1	1				1134-4802-01	Pedal	Pedal		
2	2				1134-4624-01	Lager	Bearing		
3	4				9897-0640-12	Skruv	Screw		
4	4				9739-0631-22	Mutter	Nut		
5	1				1134-4949-01	Kopplingsstång	Clutch rod		
6	2				1134-2138-01	Skruvögla	Eye bolt		
7	2				9739-1031-22	Mutter	Nut		
9	1				9739-0831-22	Mutter	Nut		
10	1				9747-0831-02	Mutter	Lock nut		
11	1				9595-0208-00	Spännstift	Locating pin		
12	2				9699-0035-02	Planbricka	Flat washer		
13	1				1134-4617-01	Fjäder	Spring		
15	1				9739-0831-22	Mutter	Nut		
16	1				9747-0831-02	Mutter	Lock nut		
18	1				9598-0002-02	Låsnål	Pin lock		
20	1				1134-5353-01	Bromstång	Brake rod		
21	1				1134-2786-01	Plastknopp	Plastic knob		
22	1				1131-1497-01	Fjäder	Spring		
23	1				1134-4002-01	Fäste	Brake rod attachment		
24	3				9838-9516-12	Skruv	Screw		
25	1				1134-6353-01	Drivpedal	Drive pedal		
26	2				1134-6313-01	Lager	Bearing		
27	2				1134-2700-01	Fäste	Bracket		
28	2				9959-0820-16	Skruv	Screw		
29	2				9739-0831-22	Mutter	Nut		
30	1				9997-0860-16	Skruv	Screw		
31	2				9739-0831-22	Mutter	Nut		
34	1				1134-4440-01	Axel	Shaft		
35	1				1134-4793-01	Stopplåt	Stop plate		
36	1				1134-4441-01	Stag	Link		
37	2				1134-0240-00	Ansatsskruv	Shoulder screw		
38	2				9694-0001-00	Fjäderbricka	Washer		
39	2				9747-0831-02	Mutter	Lock nut		
40	1				1134-5288-01	Reglagestång	Control rod		
41	2				9675-0012-02	Starlock	Locking washer		
51	1				4231-0013-00	Fjäder	Spring		
52	1				1134-4779-01	Plastbusning	Plastic bushing		
53	1				1134-4972-01	Bromslänk	Brake link		
54	1				9747-0831-02	Mutter	Lock nut		
55	1				9997-0820-16	Skruv	Screw		

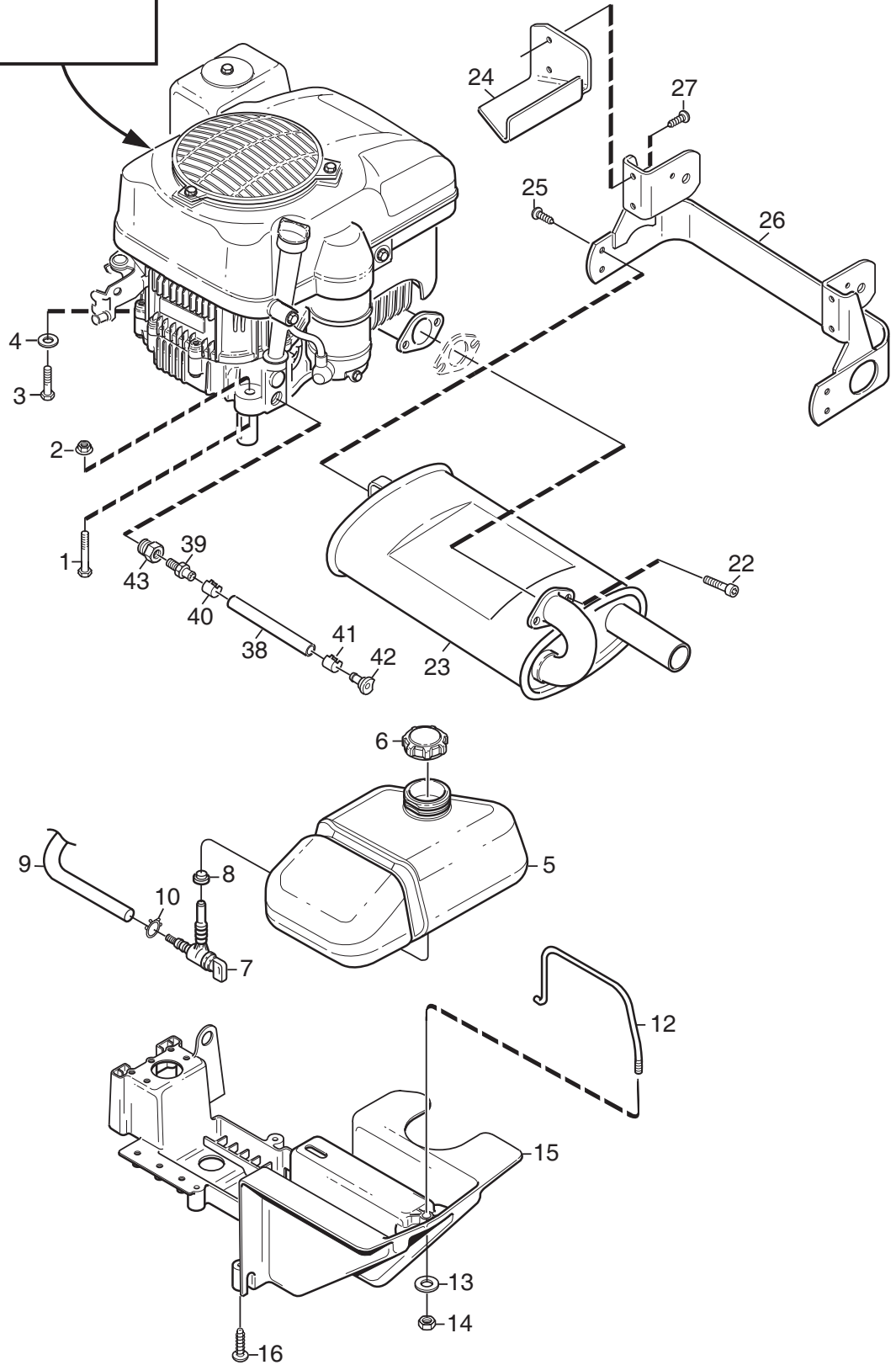
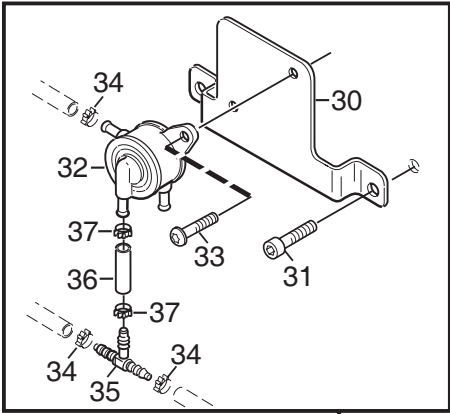


Utgåva Issue		Bildnr Picture No		VILLA HST ELUTRUSTNING		VILLA HST EL. EQUIPMENT		Sida Page	
2011-11		2202D						306	
Pos. Fig.	Antal/Quantity			Art nr Part No	Benämning	Description	Sats Kit	Anmärkning Notes	
	2729	2718	2728						
1	1	1	1	1134-4804-01	Batteri.....	Battery		18 Ah	
4	1	1	1	1134-4610-01	Fäste.....	Switch bracket			
5	1	1	1	1134-3399-02	Brytare.....	Switch.....			
6	2	2	2	9852-8013-16	Skruv.....	Screw.....			
7	3	3	3	9579-0003-00	Buntband.....	Cable holder.....			
8	1	1	1	1134-2042-02	Kabel- svart.....	Cable- black.....		L = 350 mm	
9	1	1	1	9838-9516-12	Skruv.....	Screw			
10	1	1	1	9747-0831-02	Mutter.....	Lock nut.....			
11	1	1	1	9795-3531-02	Mutter.....	Nut.....		1/4 UNC	
12	3	3	3	9579-0003-00	Buntband.....	Cable holder.....			
13			1	9948-0630-16	Skruv.....	Screw.....			
14			1	9739-0631-22	Mutter.....	Nut.....			
15			1	9943-0516-16	Skruv.....	Screw.....			
22	1	1	1	9699-0060-02	Planbricka.....	Flat washer.....			
26	1	1	1	1134-2962-01	Solenoid kpl.....	Solenoid assy.....			
27	2	2	2	9794-5131-02	• Mutter.....	• Nut.....			
28	1	1	1	1134-0234-02	Batterikabel (+).....	Battery cable (+).....		L = 395 mm	
29	1	1	1	1134-2310-01	Batteriskydd.....	Guard cap			
30	1	1		1134-4702-02	Kabel- röd.....	Cable- red.....		L = 480 mm	
32	1	1		1134-6308-01	Kablage.....	Harness.....			
32			1	1137-0104-01	Kablage.....	Harness.....			
32A	1	1	1	1134-3496-06	• Säkring.....	• Fuse.....		20A	
39	1	1		1134-6348-01	Kablage.....	Harness.....			
39			1	1134-6442-01	Kablage.....	Harness.....			
41	1	1	1	1134-4093-01	Tändningslås.....	Ignition switch			
42	1	1	1	1134-4749-01	Mutter.....	Nut.....			
43			1	1134-7535-01	Honkontakt.....	Female terminal.....			
45			1	1134-4052-01	Stödbricka.....	Support washer.....			
46			2	9840-7716-16	Skruv.....	Screw.....			
48			1	9400-0282-01	Brytare m.diod.....	Switch w.diode.....			
49			1	9400-0280-03	Vippa- höjinställning.....	Cover- height adjust.....			

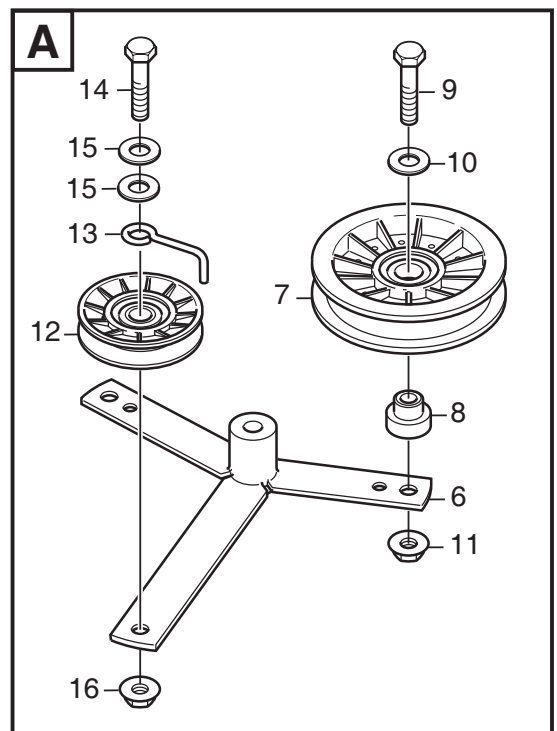
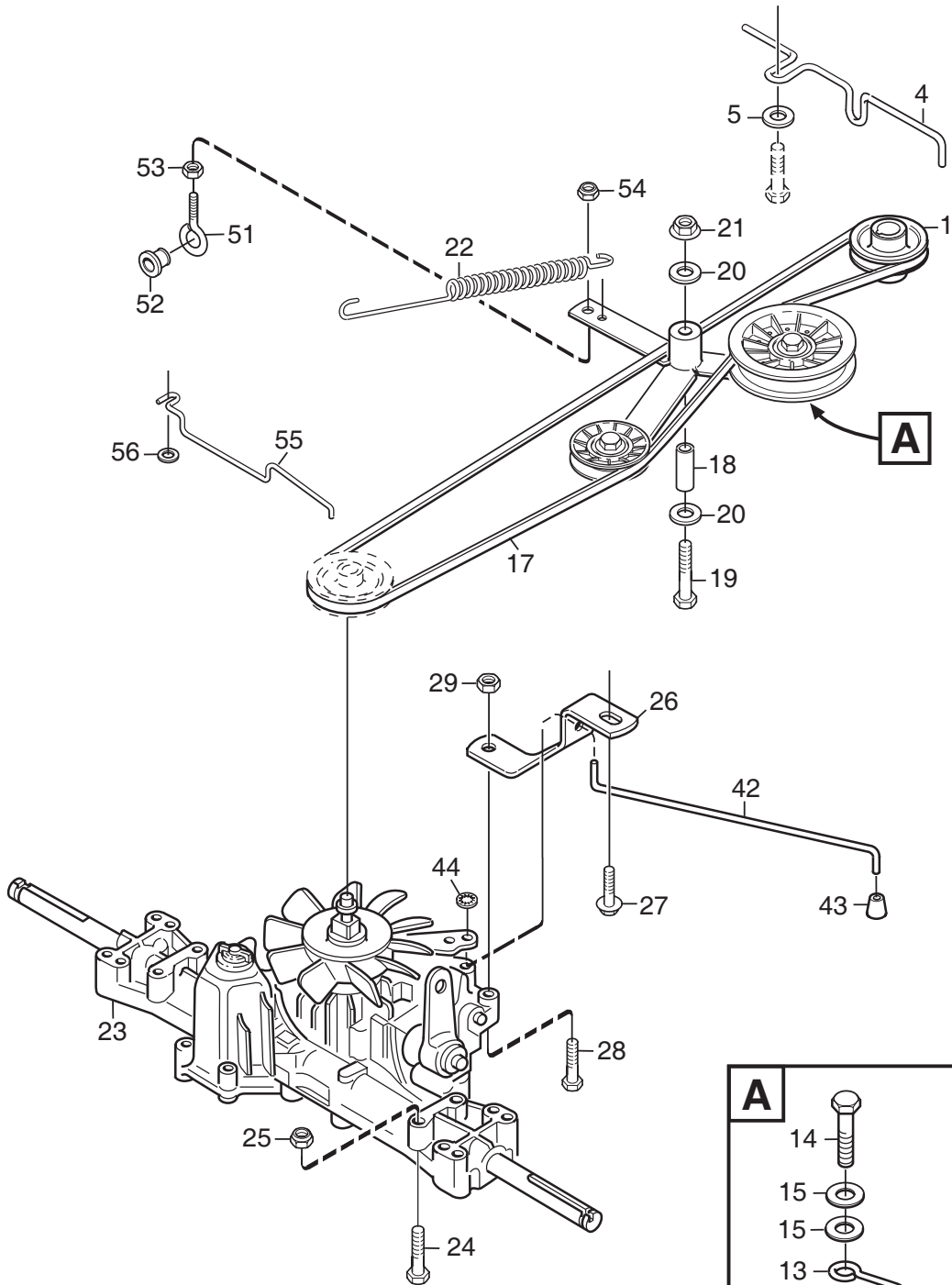


Utgåva Issue 2011-11		Bildnr Picture No 1651C		VILLA HST MOTOR (B&S)		VILLA HST ENGINE (B&S)		Sida Page 308	
Pos. Fig.	Antal/Quantity			Art nr Part No	Benämning	Description	Sats Kit	Anmärkning Notes	
	2718 -14 2729 -15	2718 -34 2729 -35							
1	1	1		9997-0840-12	Skruv.....	Screw.....		M8 x 40	
2	1	1		9747-0831-02	Mutter.....	Lock nut.....			
3	3	3		9955-3725-16	Skruv.....	Screw.....		3/8" x 25	
5	1	1		1134-6626-01	Bränsletank.....	Fuel tank.....			
6	1	1		1134-5532-01	Tanklock.....	Fuel tank cap.....			
7	1	1		1134-3224-01	Bensinkran.....	Fuel shut-off valve.....			
8	1	1		1134-3225-01	Gummibussning.....	Grommet.....			
9	0,46	0,46		9505-0001-01	Bensinslang (meter).....	Fuel line (metre).....		Per meter	
10	2	2		9578-0023-02	Slangklämma.....	Hose clamp.....			
12	1	1		1134-4808-01	Tankbygel.....	Tank clamp.....			
13	1	1		9699-0060-02	Planbricka.....	Flat washer.....			
14	1	1		9747-0631-02	Låsmutter.....	Lock nut.....			
15	1	1		1134-4807-02	Tank/batterihylla.....	Tank/battery shelf.....			
16	4	4		9838-8822-19	Skruv.....	Screw.....			
19	1	1		1134-0433-00	Ljuddämparpackning.....	Muffler gasket.....			
22	2	2		1134-4930-01	Skruv.....	Screw.....			
23	1	1		1134-7781-01	Ljuddämpare.....	Muffler.....			
25	2	2		9893-0616-16	Skruv.....	Screw.....			
26	1	1		1134-6699-01	Värmskydd.....	Heat guard.....			
27	4	4		9893-0616-16	Skruv.....	Screw.....			
38		1		1134-5827-05	Oljeavtappning kpl.....	Oil drain assy.....		Inkl. pos 39-42	
39		1		1134-5825-01	• Nippel.....	• Nipple.....			
40		1		9578-0023-04	• Slangklämma.....	• Hose clamp.....			
41		1		1134-3499-02	• Slangklämma.....	• Hose clamp.....			
42		1		1134-5826-01	• Plugg.....	• Plug.....			

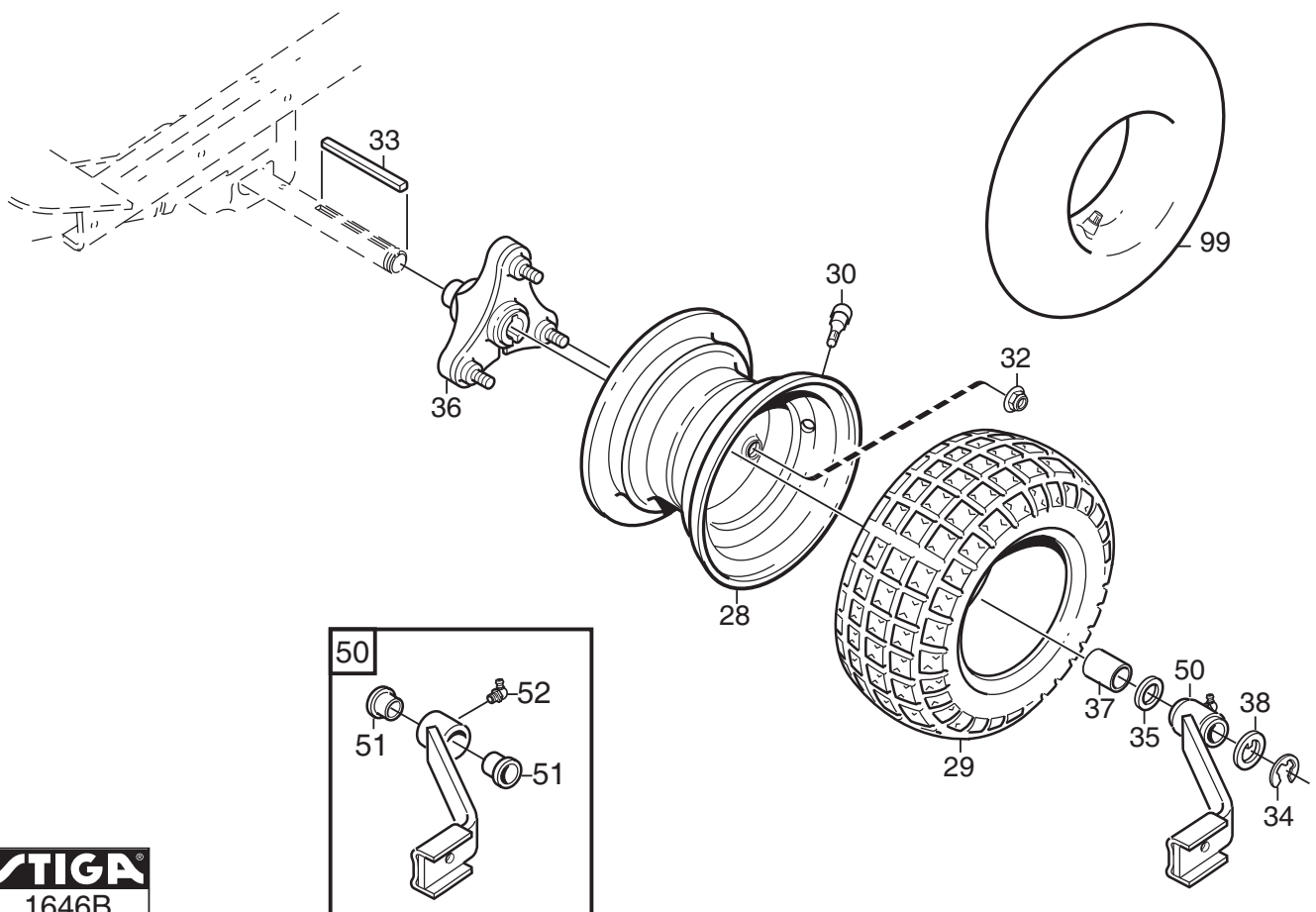
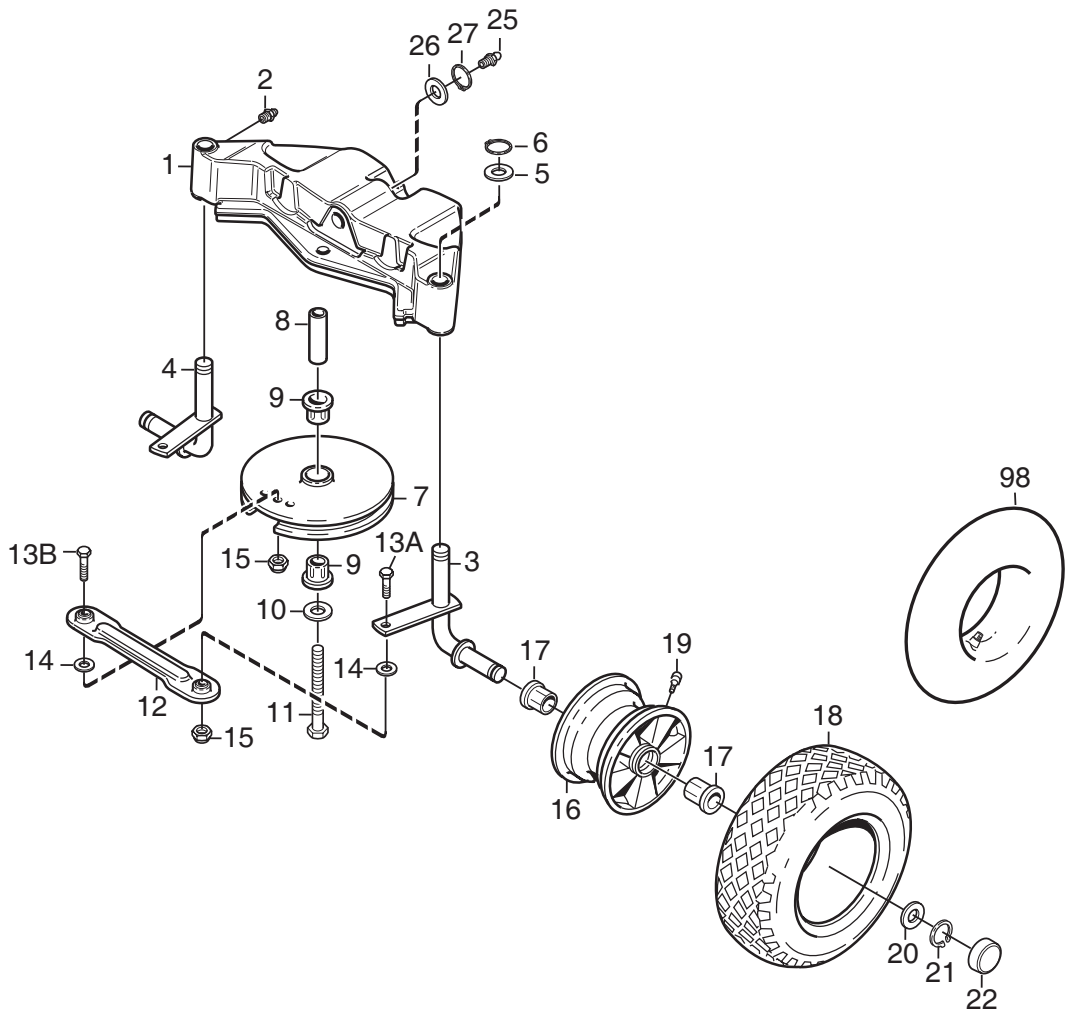
X



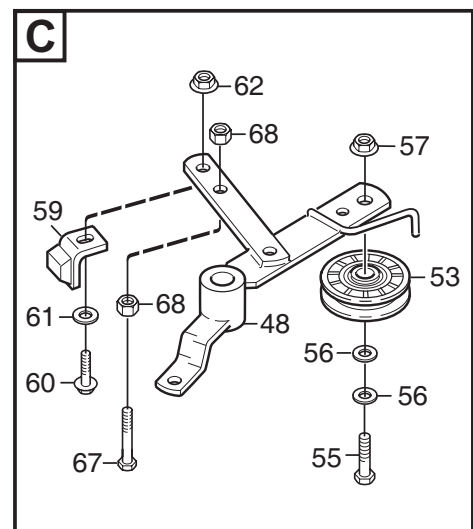
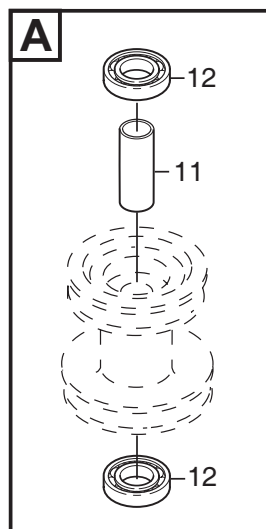
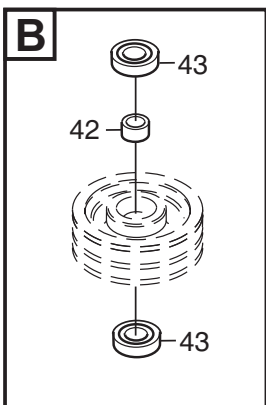
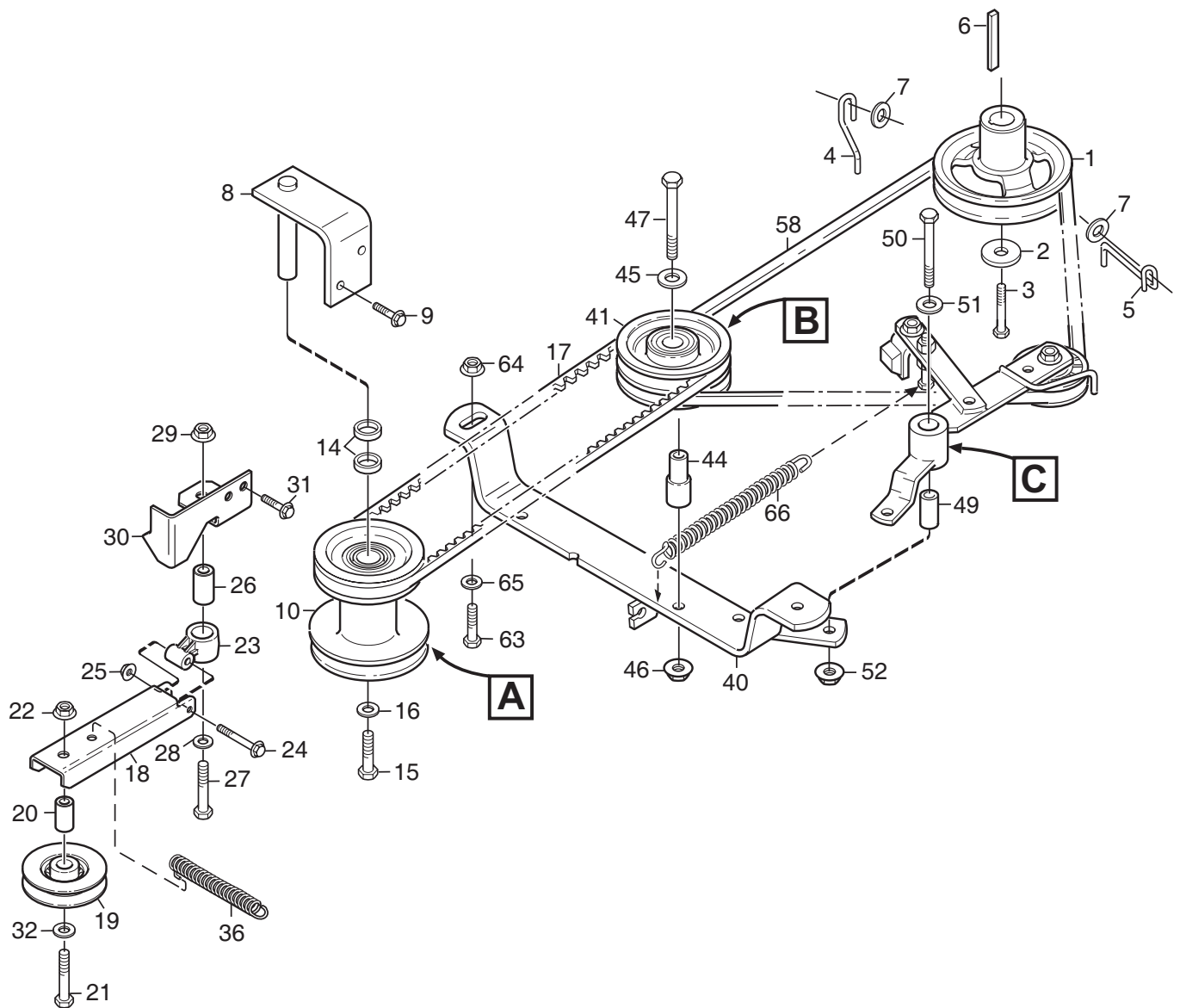
Utgåva Issue 2011-11		Bildnr Picture No 2751A		VILLA HST MOTOR (Honda)		VILLA HST ENGINE (Honda)		Sida Page 310	
Pos. Fig.	Antal/Quantity			Art nr Part No	Benämning	Description	Sats Kit	Anmärkning Notes	
	2728 -14	2728 -34							
1	2	2		9997-0840-12	Skruv.....	Screw.....		M8 x 40	
2	2	2		9747-0831-02	Mutter.....	Lock nut.....			
3	2	2		9987-5132-12	Skruv.....	Screw.....		5/16" x 32	
4	3	3		9699-0056-02	Planbricka.....	Flat washer.....			
5	1	1		1134-6626-01	Bränsletank.....	Fuel tank.....			
6	1	1		1134-5532-01	Tanklock.....	Fuel tank cap.....			
7	1	1		1134-3224-01	Bensinkran.....	Fuel shut-off valve.....			
8	1	1		1134-3225-01	Gummibussning.....	Grommet.....			
9	0,40	0,40		9505-0001-01	Bensinslang (meter).....	Fuel line (metre).....		Per meter	
10	2	2		9578-0023-02	Slangklämma.....	Hose clamp.....			
12	1	1		1134-4808-01	Tankbygel.....	Tank clamp.....			
13	1	1		9699-0060-02	Planbricka.....	Flat washer.....			
14	1	1		9747-0631-02	Låsmutter.....	Lock nut.....			
15	1	1		1134-4807-02	Tank/batterihylla.....	Tank/battery shelf.....			
16	4	4		9838-8822-19	Skruv.....	Screw.....			
22	2	2		9935-0820-16	Skruv.....	Screw.....			
23	1	1		1137-0101-01	Ljuddämpare.....	Muffler.....			
24	1	1		1137-0094-01	Värmesköld.....	Heat shield.....			
25	2	2		9893-0616-16	Skruv.....	Screw.....			
26	1	1		1134-6699-01	Värmeskydd.....	Heat guard.....			
27	4	4		9893-0616-16	Skruv.....	Screw.....			
30	1	1		1137-0095-01	Fäste-bränslepump.....	Bracket-fuel pump.....			
31	2	2		9939-0820-16	Skruv.....	Screw.....			
32	1	1		1137-0114-01	Bränslepump.....	Fuel pump.....			
33	2	2		9893-0616-16	Skruv.....	Screw.....			
34	4	4		9578-0023-07	Slangklämma.....	Hose clamp.....		Ø 10.5 mm	
35	1	1		1137-0103-01	T-rör.....	Joint pipe.....			
36	0,04	0,04		9505-0001-01	Bensinslang (meter).....	Fuel line (metre).....		Per meter	
37	2	2		9578-0023-02	Slangklämma.....	Hose clamp.....		Ø 12 mm	
X 38		1		1134-5827-05	Oljeavtappning kpl.....	Oil drain assy.....		Inkl. pos 39-42	
39		1		1134-5825-01	• Nippel.....	• Nipple.....		3/8" NPTF	
40		1		9578-0023-04	• Slangklämma.....	• Hose clamp.....			
41		1		1134-3499-02	• Slangklämma.....	• Hose clamp.....			
42		1		1134-5826-01	• Plugg.....	• Plug.....			
X 43		1		1137-0415-01	Adapter.....	Adapter.....		M20 - 3/8" NPTF	



Utgåva Issue		Bildnr Picture No		VILLA HST TRANSMISSION		VILLA HST TRANSMISSION		Sida Page	
2011-11		1157G						312	
Pos. Fig.	Antal/Quantity				Art nr Part No	Benämning	Description	Sats Kit	Anmärkning Notes
	2718	2728	2729						
X	1	1			1137-0002-01	Motorremskiva	Engine belt pulley		
	4	1			1134-6637-01	Remstyrning	Belt guide		
	5	1			9699-0056-02	Planbricka	Flat washer		
	6	1			1134-4519-01	Spännarm	Tension arm		
	7	1			1134-9091-01	Spännrulle	Tension roller		
	8	1			1134-4614-01	Ansats	Shoulder spacer		
	9	1			9997-1040-16	Skruv	Screw		
	10	1			9699-0035-02	Planbricka	Flat washer		
	11	1			9739-1031-22	Mutter	Nut		
	12	1			1134-9027-02	Spännrulle- grå	Tension roller- grey		
	13	1			1134-1795-01	Rembygel	Belt stirrup		
	14	1			9997-1040-16	Skruv	Screw		
	15	2			9699-0035-02	Planbricka	Flat washer		
	16	1			9739-1031-22	Mutter	Nut		
	17	1			1134-9064-01	Drivrem	Drive belt		= 9585-0099-01
	18	1			1134-1565-08	Distans	Spacer		
	19	1			9997-0870-16	Skruv	Screw		
	20	2			9699-0056-02	Planbricka	Flat washer		
	21	1			9739-0831-22	Mutter	Nut		
	22	1			1134-5214-01	Fjäder	Spring		
	23	1			1134-7766-01	Transaxel kpl.	Transaxle assy		Kanzaki K46CJ
	24	4			9960-0860-12	Skruv	Screw		
	25	4			9747-0831-02	Mutter	Lock nut		
	26	1			1134-6290-01	Momentstag	Strut		
	27	1			9945-0816-16	Skruv	Screw		
	28	1			9997-0840-12	Skruv	Screw		
	29	1			9747-0831-02	Mutter	Lock nut		
	42	1			1134-5156-01	Dragstång	Pull rod		
	43	1			1134-4014-01	Plastknopp	Plastic button		
	44	1			9675-0009-02	Starlock	Starlock		
	51	1			1134-2138-01	Skruvögla	Eye bolt		
	52	1			1134-4779-01	Plastbussning	Plastic bushing		
	53	1			9739-0831-22	Mutter	Nut		
	54	1			9747-0831-02	Mutter	Lock nut		
	55	1			1134-5319-01	Remstyrning	Belt guide		
	56	1			9699-0056-02	Planbricka	Flat washer		



Utgåva Issue		Bildnr Picture No		VILLA HST HJUL		VILLA HST WHEELS		Sida Page	
2011-11		1646B						314	
Pos. Fig.	Antal/Quantity				Art nr Part No	Benämning	Description	Sats Kit	Anmärkning Notes
	2718	2728	2729						
1	1				1134-6703-01	Bakaxel	Rear axle		
2	2				9501-0500-00	Smörjnippel	Grease joint		
3	1				1134-5009-02	Spindel- vä	Spindle- LH		
4	1				1134-5009-01	Spindel- hö	Spindle- RH		
5	2				9699-0088-02	Planbricka	Flat washer		
6	2				9650-0020-04	Spårring	Circlip		
7	1				1137-0090-01	Styrskiva	Steering pulley		
8	1				1134-5575-01	Distans	Spacer		
9	1				1134-9024-01	Lager	Bearing	Sats 4 st/kit of 4	
10	1				9699-0104-02	Bricka	Washer		
11	1				9997-1680-12	Skruv	Screw		
12	2				1134-3247-05	Styrstag	Tie rod		
13A	2				9997-0825-16	Skruv	Screw	L = 25 mm	
13B	1				9997-0835-12	Skruv	Screw	L = 35 mm	
14	2				9699-0090-02	Planbricka	Flat washer		
15	3				9747-0831-02	Mutter	Lock nut		
16	2				1134-4706-01	Fälg	Rim		
17	1				1134-9026-01	Lagerbussning	Bearing bush kit	Sats 4 st/kit of 4	
18	2				9545-0117-00	Däck	Tyre	13 x 5.00 - 6	
19	2				9545-0500-00	Ventil	Valve		
20	2				1134-0341-01	Bricka	Washer		
21	2				9650-0020-04	Spårring	Circlip		
22	2				1134-4344-01	Navkapsel	Hub cap		
25	1				9501-0500-00	Smörjnippel	Grease joint		
26	1				9699-0088-02	Planbricka	Flat washer		
27	1				9650-0020-04	Spårring	Circlip		
28	2				1134-5255-01	Fälg	Rim		
29	2				9545-0126-01	Däck	Tyre	16 x 6.00 - 8	
30	2				9545-0500-00	Ventil	Valve		
32	6				9731-1031-22	Mutter	Nut		
33	2				1134-2471-03	Kil	Key		
34	2				9653-0001-04	Spårryttare	Lock ring		
35	2				1134-0341-01	Bricka	Washer		
36	2				1134-4844-02	Hjulnav	Wheel hub		
37	2				1134-4845-02	Navhylsa	Hub sleeve		
38	2				1134-4981-01	Bricka	Washer		
50	2				1134-6274-01	Redskapsfäste kpl.	Attachment assy		
51	1				1134-9026-01	• Lagerbussning	• Bearing bush kit	Sats 4 st/kit of 4	
52	1				9501-0502-00	• Smörjnippel	• Grease joint		
98					9545-0204-00	Innerslang	Inner tube	Reservdel/spare part	
99					9545-0203-00	Innerslang	Inner tube	Reservdel/spare part	



Utgåva Issue		Bildnr Picture No		VILLA HST KRAFTUTTAG		VILLA HST POWER TAKE- OFF		Sida Page	
2011- 11		1512F						316	
Pos. Fig.	Antal/Quantity				Art nr Part No	Benämning	Description	Sats Kit	Anmärkning Notes
	2718	2728	2729						
X	1	1			1137-0081-01	Motorremskiva	Engine belt pulley		L = 2 1/2"
	2	1			1134-5017-01	Bricka	Washer		
	3	1			9987-5332-16	Skruv	Screw		
	4	1			1134-5058-01	Remstyrning	Belt guide		
	5	1			1134-5057-01	Remstyrning	Belt guide		
	6	1			9600-0251-01	Kil	Key		
	7	2			9699-0056-02	Planbricka	Flat washer		
	8	1			1134-4650-01	Monteringsbygel	Pulley bracket		
	9	2			9945-0816-16	Skruv	Screw		
X	10	1			1137-0003-01	Mellanremskiva kpl.	Intermediate pulley		Inkl. pos 11- 12
	11	1			1134-0051-12	• Distans	• Spacer		
	12	2			9549-0019-00	• Kullager	• Ball bearing		
	14	2			1134-0052-00	Lagerdistans	Bearing spacer		
	15	1			9997-1040-16	Skruv	Screw		
	16	1			9699-0035-02	Planbricka	Flat washer		
	17	1			1134-9079-01	Drivrem	Drive belt		
	18	1			1134-5231-01	Spännarm	Tension arm		
	19	1			1134-6329-01	Spännrulle	Tension roller		
	20	1			1134-4619-01	Distans	Spacer		
	21	1			9997-1060-12	Skruv	Screw		
	22	1			9747-1031-02	Låsmutter	Lock nut		
	23	1			1134-6314-01	Spännarmsfäste	Attachment		
	24	1			9997-0640-12	Skruv	Screw		
	25	1			9747-0631-02	Låsmutter	Lock nut		
	26	1			1134-4619-01	Distans	Spacer		
	27	1			9930-1050-12	Skruv	Screw		
	28	1			9699-0035-02	Planbricka	Flat washer		
	29	1			9747-1031-02	Låsmutter	Lock nut		
	30	1			1134-4708-02	Fäste	Bracket		
	31	2			9945-0816-16	Skruv	Screw		
	32	1			9699-0035-02	Planbricka	Flat washer		
	36	1			1131-1507-00	Fjäder	Spring		
	40	1			1134-5037-01	Bygel	Bracket		
	41	1			1137-0004-01	Centrumremskiva kpl.	Centre pulley assy		
	42	1			1134-0051-09	• Distans	• Spacer		
	43	2			9549-0019-00	• Kullager	• Ball bearing		
	44	1			1134-1839-02	Mellanaxel	Shaft		
	45	1			9699-0035-02	Planbricka	Flat washer		
	46	1			9739-1031-22	Mutter	Nut		
	47	1			9997-1070-12	Skruv	Screw		
X	48	1			1137-0144-01	Kopplingsarm	Clutch lever		Inkl. pos 42- 43
	49	1			1134-1565-10	Distans	Spacer		
	50	1			9997-0860-12	Skruv	Screw		
	51	1			9699-0056-02	Planbricka	Flat washer		
	52	1			9739-0831-22	Mutter	Nut		
	53	1			1134-9027-02	Spännrulle- grå	Tension roller- grey		
	55	1			9997-1035-16	Skruv	Screw		
	56	2			9699-0035-02	Planbricka	Flat washer		
	57	1			9739-1031-22	Mutter	Nut		
	58	1			1134-9146-01	Drivrem	Drive belt		
	59	1			1134-4164-03	Bromsklots	Brake pad		
	60	1			9959-0820-16	Skruv	Screw		
	61	1			9699-0090-02	Planbricka	Flat washer		
	62	1			9747-0831-02	Mutter	Lock nut		
	63	2			9959-0820-16	Skruv	Screw		
	64	2			9739-0831-22	Mutter	Nut		
	65	1			9699-0056-02	Planbricka	Flat washer		
	66	1			1131-1506-00	Fjäder	Spring		
	67	1			9997-0860-12	Skruv	Screw		
	68	2			9739-0831-22	Mutter	Nut		
									= 9585- 0139- 01
									= 9585- 0204- 01