

# Genuine Spare Parts

www.stiga.com

## PARK Consumer High 2WD

includes:

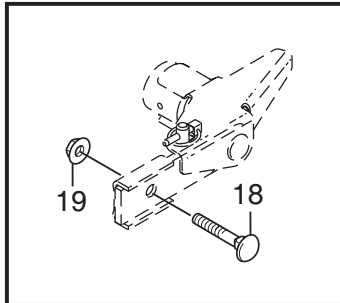
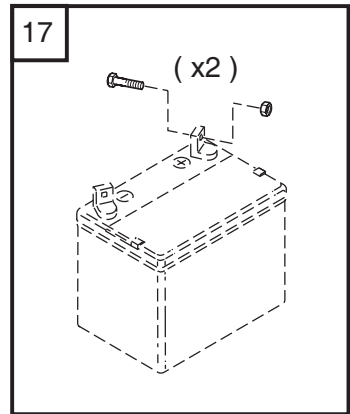
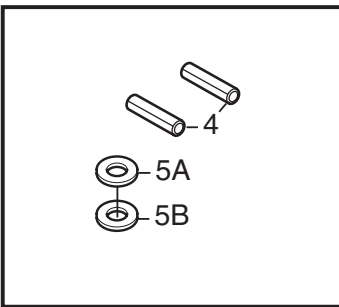
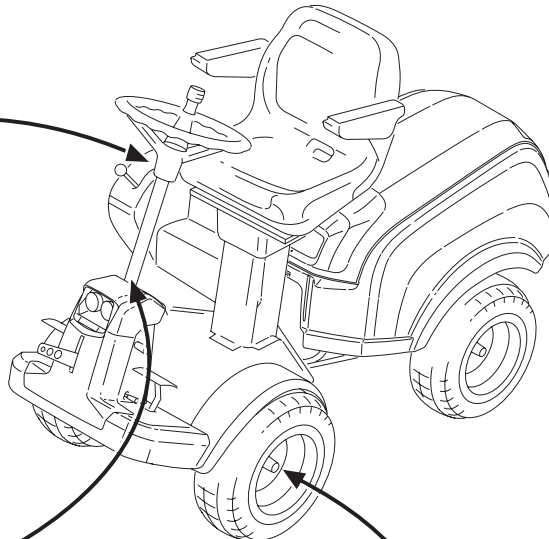
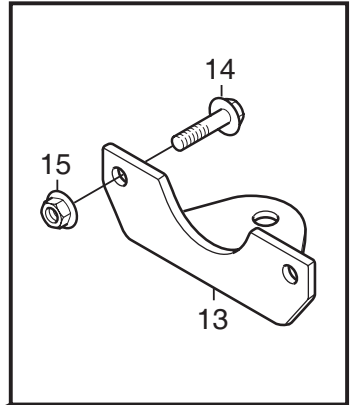
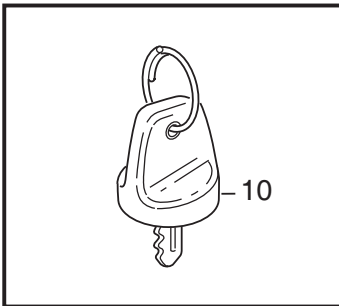
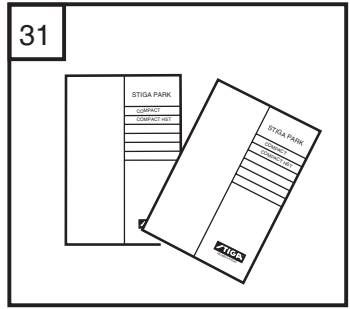
13-6311-11 Park Plus  
13-6311-31 Park Plus (FR)  
13-6314-11 Park Plus Unlimited  
13-6310-11 Park Excellent  
13-6379-11 Park Ranger Svan  
13-6379-31 Park Ranger Svan (FR)  
13-6384-11 Park 123

- Use GLOBAL GARDEN PRODUCT Genuine Spare Parts specified in the parts list for repair and/or replacement.
- The contents described in the parts list may change due to improvement.
- The drawings of the spare parts are only indicative and might not represent the part in question exactly.
- The indications "right" - "left" - "front" - "rear" refer to the position of the operator when using the machine.
- When placing orders of parts for repair and/or replacement, make sure that the illustrated parts list is the one applying to the machine's year of manufacture, as shown on the identification plate attached to the machine.

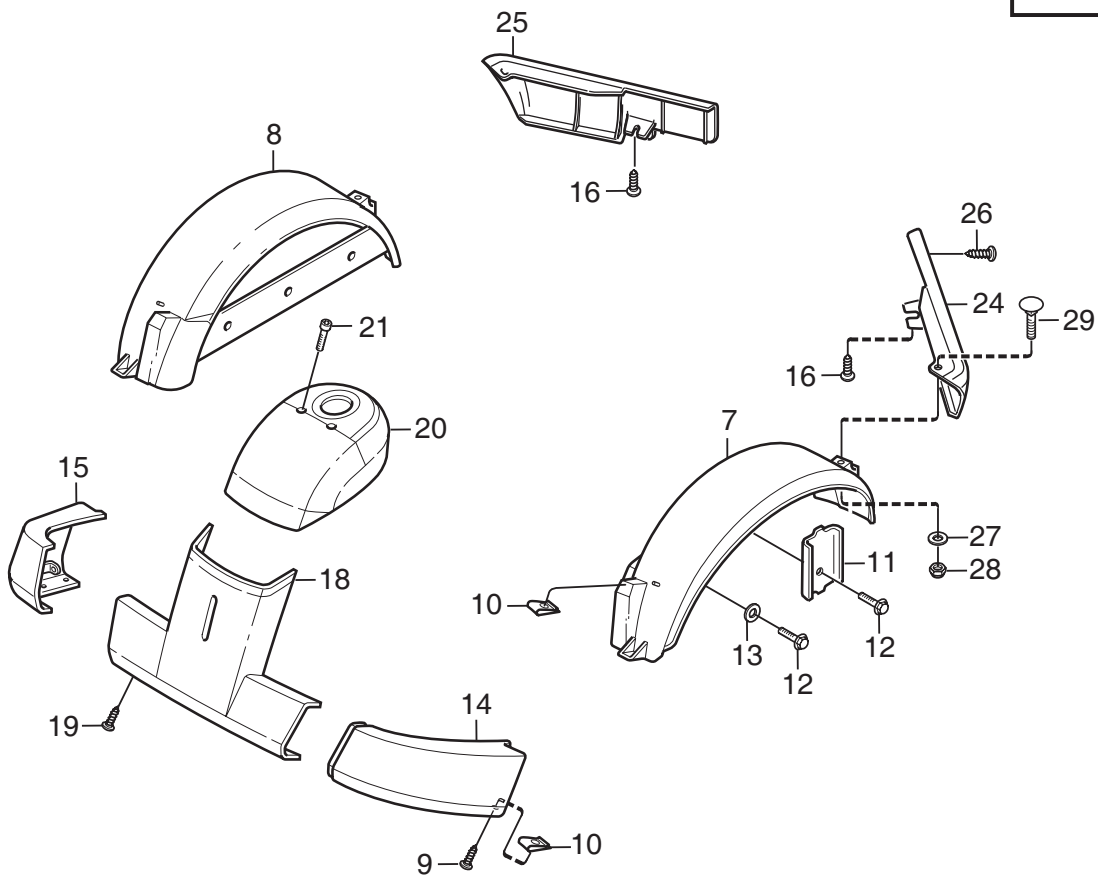
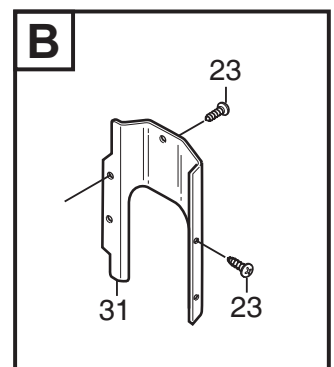
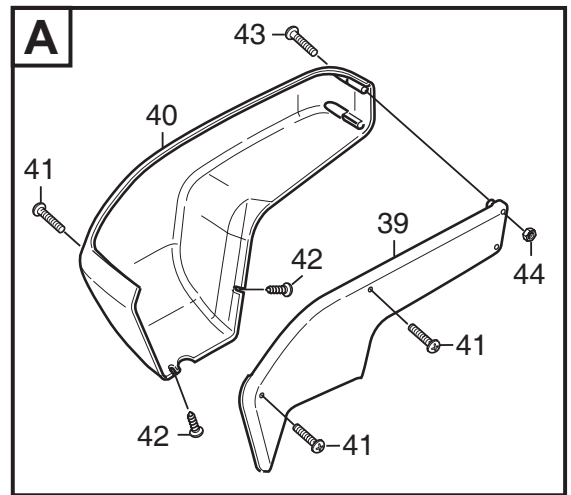
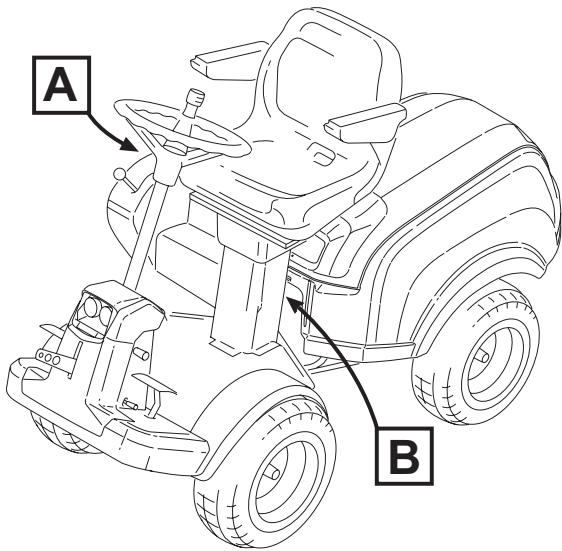
COPYRIGHT by GLOBAL GARDEN PRODUCTS

All rights reserved. No part of this material may be reproduced or transmitted, in any form or by any means, electronic or mechanical, including photocopying, recording or by any information storage and retrieval system, without permission in writing from GLOBAL GARDEN PRODUCTS.

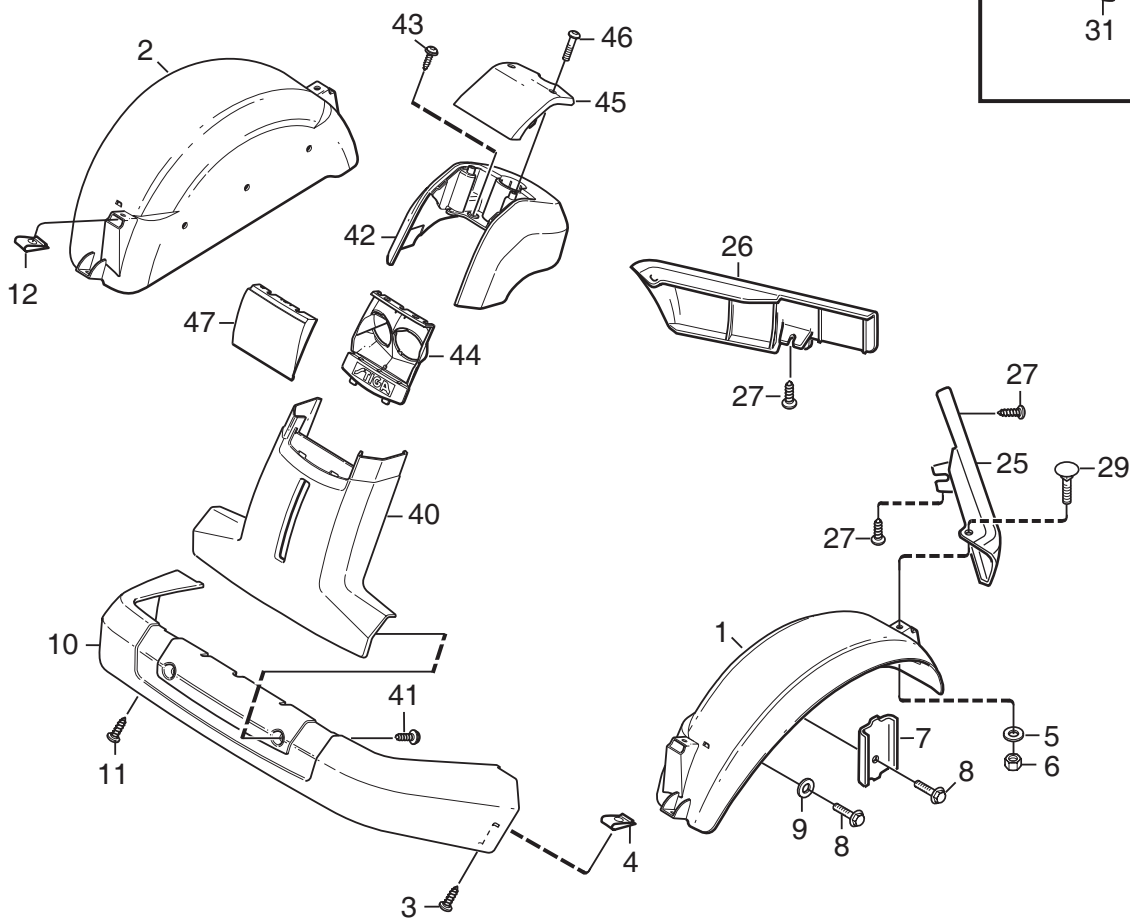
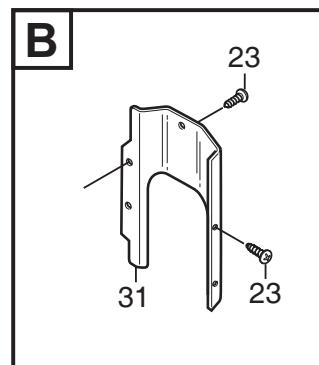
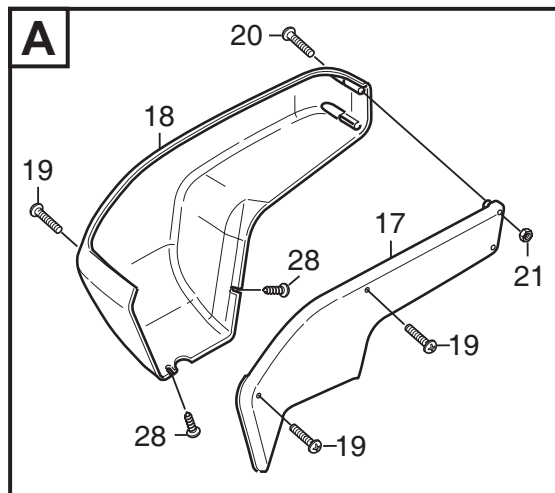
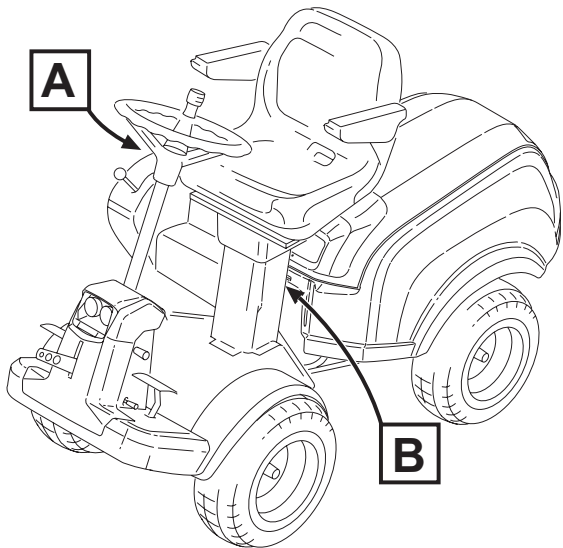




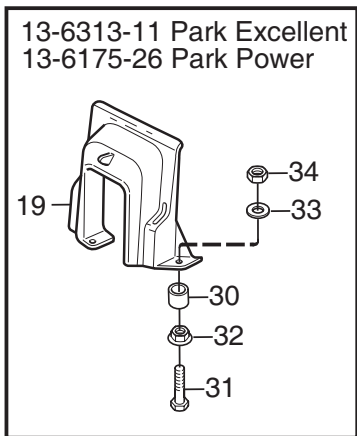
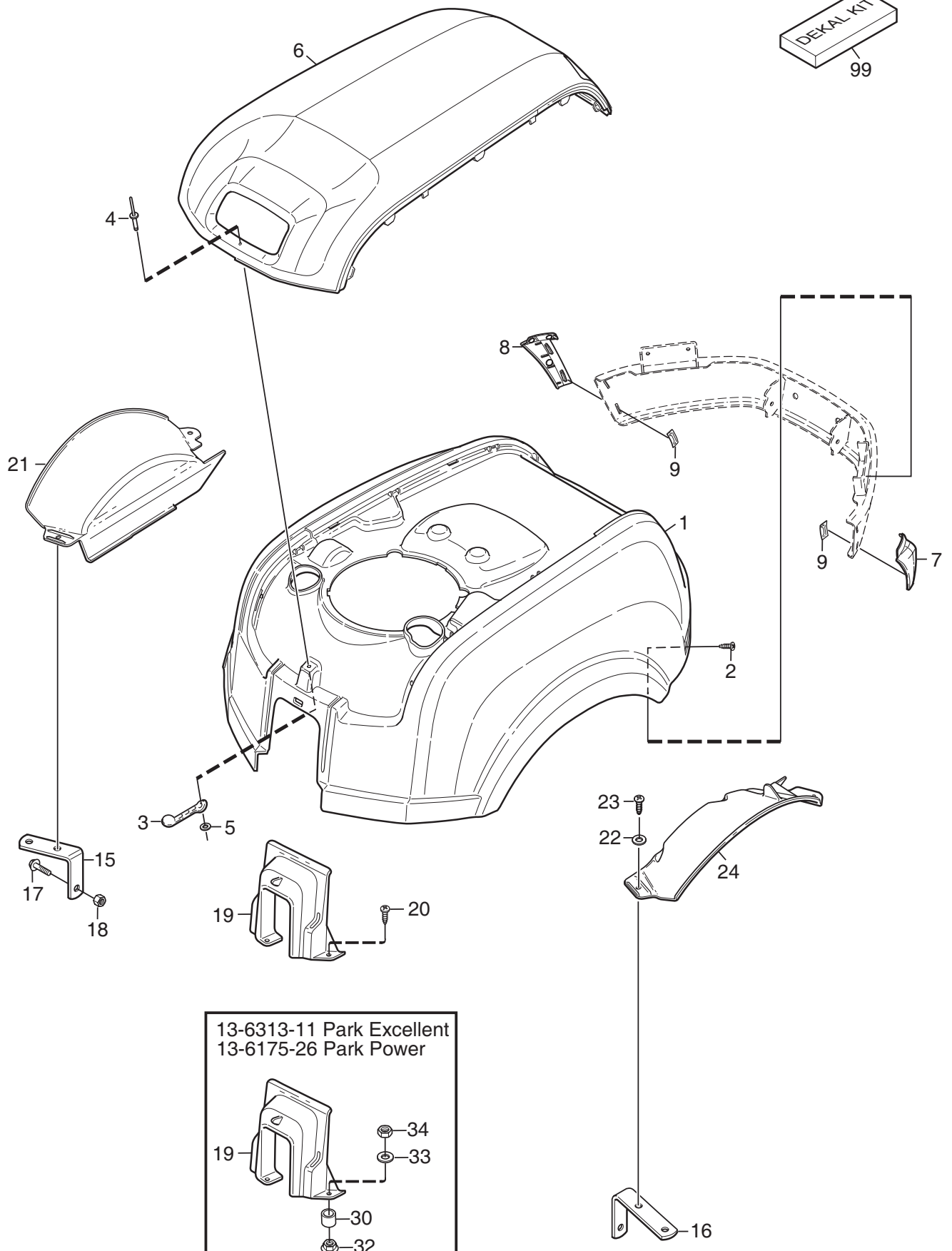
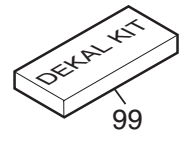
Utgåva Issue		Bildnr Picture No		PARK 2WD MONTERINGSDETALJER		PARK 2WD ASSEMBLY PARTS		Sida Page	
2011-11		2014E						64	
Pos. Fig.	Antal/Quantity				Art nr Part No	Benämning	Description	Sats Kit	Anmärkning Notes
	6311 6314 6313 6379	6311 6379 FR	6144 -75						
4	2	2	2	9595-0262-00	Spännstift .....	Locating pin .....			
5A	1	1	1	9699-0103-02	Shims .....	Flat washer .....		0.5 mm	
5B	1	1	1	9699-0114-02	Shims .....	Flat washer .....		1.0 mm	
10	2	2	2	1134-4734-01	Tändningsnyckel.....	Ignition key .....			
13	1	1	1	1134-5512-01	Dragplåt.....	Towing plate.....			
14	2	2	2	9959-0820-16	Skruv.....	Screw.....			
15	2	2	2	9739-0831-22	Mutter.....	Nut .....			
17	1	1	1	1134-6113-02	Batteriskruvar .....	Battery screws .....			
18	2	2	2	9898-1035-16	Skruv.....	Screw.....			
19	2	2	2	9739-1031-22	Mutter.....	Nut .....			
X 31	1			8211-0003-11	Bruksanvisning .....	Owner's manual .....			
X 31			1	8211-0046-01	Bruksanvisning .....	Owner's manual .....		Park Silent	
X 31		1		8211-0052-10	Bruksanvisning .....	Owner's manual .....		France	
X 31	1		1	8211-0604-10	Monteringsanvisning.....	Assy instructions .....			
X 31	1		1	8211-0701-10	Säkerhetsföreskrifter .....	Safety regulations .....			
X 31	1	1	1	8211-0901-10	Servicebok.....	Service book .....			
X 31	1	1	1	8211-0960-10	Garantikort.....	Warranty card .....			



Utgåva Issue		Bildnr Picture No		PARK 2WD SILENT KAROSS-FRAM		PARK 2WD SILENT BODY WORK- FRONT		Sida Page	
2011- 11		2821						66	
Pos. Fig.	Antal/Quantity				Art nr Part No	Benämning	Description	Sats Kit	Anmärkning Notes
	6144 -75								
7	1				1134- 5308- 01 Stänkskärm vä- grå.....	Mud guard LH- grey .....			
8	1				1134- 5308- 02 Stänkskärm hö- grå .....	Mud guard RH- grey.....			
9	4				9893- 0616- 16 Skruv .....	Screw .....			
10	4				1134- 4176- 01 Clips .....	Clips .....			
11	2				1137- 0088- 01 Stödplåt .....	Support plate .....			
12	6				9945- 0816- 16 Skruv .....	Screw .....			
13	4				9699- 0056- 02 Planbricka.....	Flat washer.....			
14	1				1134- 5306- 01 Stötfångare, front- vä.....	Bumper, front- LH .....			
15	1				1134- 5306- 02 Stötfångare, front- hö .....	Bumper, front- RH .....			
16	2				9893- 0616- 16 Skruv .....	Screw .....			
18	1				1134- 5305- 01 Front- nedre .....	Front plate- lower .....			
19	2				9893- 0616- 16 Skruv .....	Screw .....			
20	1				1134- 5304- 01 Front- övre .....	Front- upper .....			
21	2				9946- 0525- 16 Skruv .....	Screw .....			
23	4				9893- 0616- 16 Skruv .....	Screw .....			
24	1				1134- 3970- 05 Kantlist- vä, grå.....	Moulding- LH, grey .....			
25	1				1134- 3970- 02 Kantlist- hö, grå .....	Moulding- RH, grey .....			
26	2				9893- 0616- 16 Skruv .....	Screw .....			
27	2				9699- 0060- 02 Planbricka.....	Flat washer.....			
28	2				9747- 0631- 02 Låsmutter .....	Lock nut .....			
29	2				9897- 0616- 16 Vagnsbult .....	Carriage bolt .....			
31	1				1134- 6461- 01 Bakstycke .....	Rear plate.....			
39	1				1134- 4360- 01 Kåpa- inre .....	Cover- inner .....			
40	1				1134- 3979- 01 Kåpa- yttre .....	Cover- outer .....			
41	3				9946- 0525- 16 Skruv .....	Screw .....			
42	2				9840- 8013- 16 Skruv .....	Screw .....			
43	2				9950- 0570- 12 Skruv .....	Screw .....			
44	2				9747- 0531- 02 Mutter.....	Nut .....			



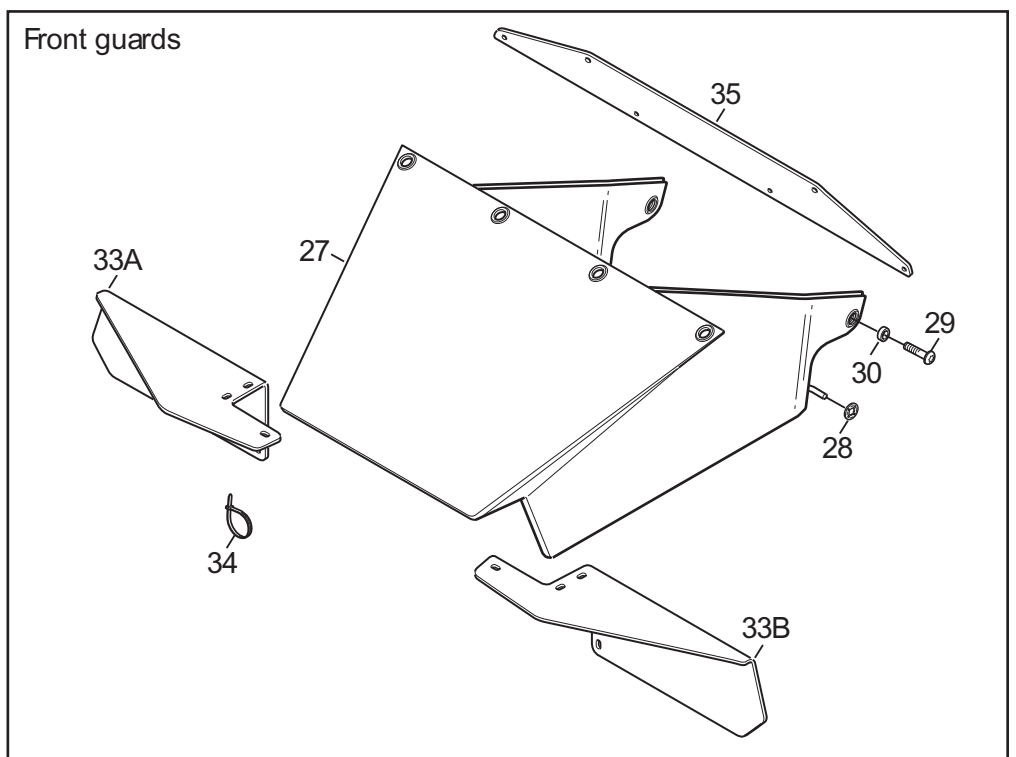
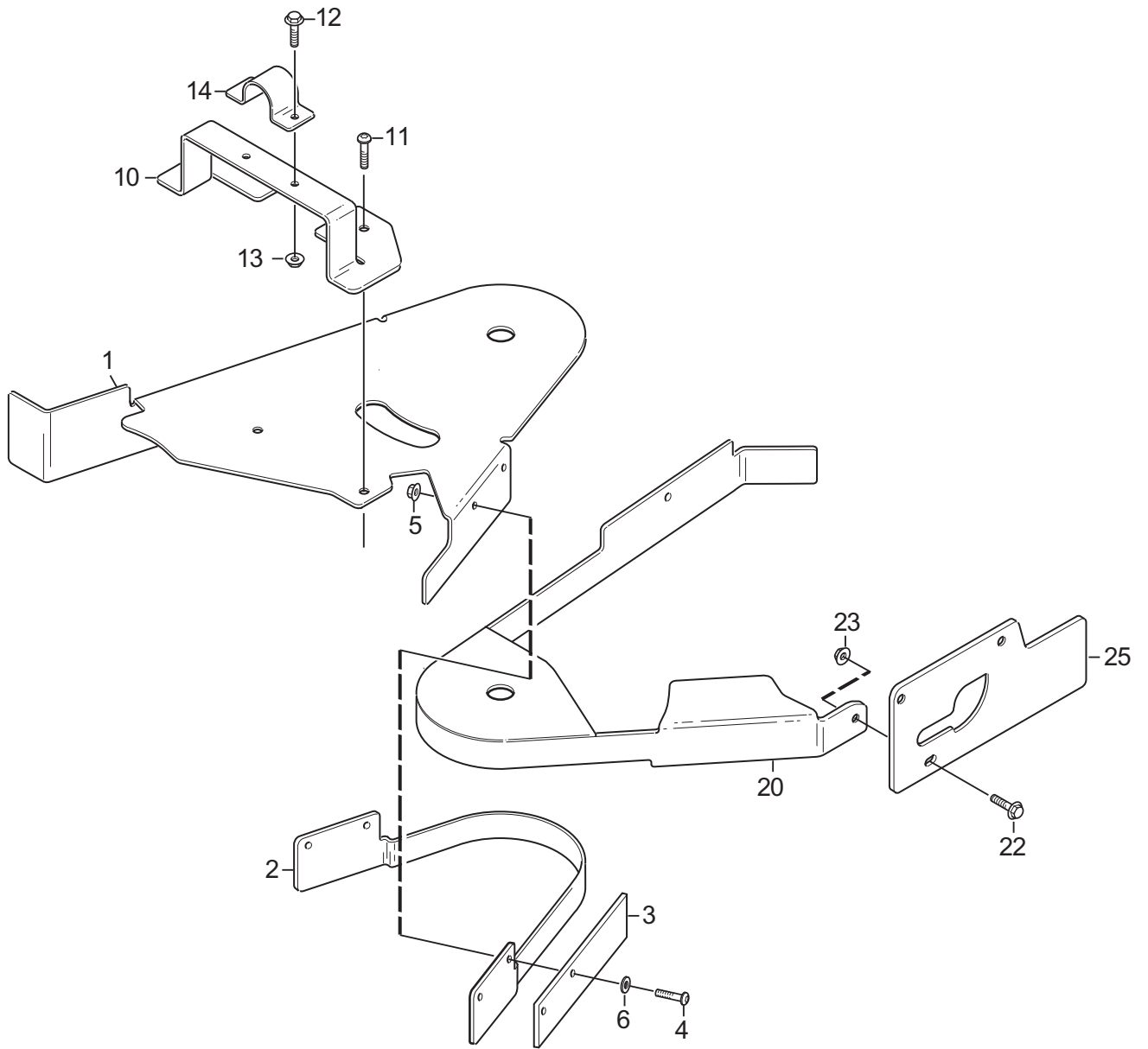
Utgåva Issue 2011-11		Bildnr Picture No 2820		PARK 2WD PLUS- EXCELLENT- RANGER KAROSS- FRAM		PARK 2WD PLUS- EXCELLENT- RANGER BODY WORK- FRONT		Sida Page 68	
Pos. Fig.	Antal/Quantity				Art nr Part No	Benämning	Description	Sats Kit	Anmärkning Notes
	6311	6314	6313	6379					
1	1				1137-0048-01	Skärm- vä, grå .....	Mud guard- LH, grey .....		
2	1				1137-0048-02	Skärm- hö, grå .....	Mud guard- RH, grey .....		
3	2				9893-0616-16	Skruv .....	Screw .....		
4	2				1134-4176-01	Clips .....	Clips .....		
5	2				9699-0060-02	Planbricka .....	Flat washer .....		
6	2				9747-0631-02	Låsmutter .....	Lock nut .....		
7	2				1137-0088-01	Stödplåt .....	Support plate .....		
8	6				9945-0816-16	Skruv .....	Screw .....		
9	4				9699-0056-02	Planbricka .....	Flat washer .....		
10	1				1137-0049-01	Stötfångare- grå .....	Bumper- grey .....		
11	6				9893-0616-16	Skruv .....	Screw .....		
12	2				1134-4176-01	Clips .....	Clips .....		
17	1				1134-4360-01	Kåpa- inre .....	Cover- inner .....		
18	1				1134-3979-01	Kåpa- yttre .....	Cover- outer .....		
19	3				9946-0525-16	Skruv .....	Screw .....		
20	2				9950-0570-12	Skruv .....	Screw .....		
21	2				9747-0531-02	Mutter .....	Nut .....		
23	4				9893-0616-16	Skruv .....	Screw .....		
25	1				1134-3970-05	Kantlist- vä, grå .....	Moulding- LH, grey .....		
26	1				1134-3970-02	Kantlist- hö, grå .....	Moulding- RH, grey .....		
27	4				9893-0616-16	Skruv .....	Screw .....		
28	2				9840-8013-16	Skruv .....	Screw .....		
29	2				9897-0616-16	Vagnsbult .....	Carriage bolt .....		
31	1				1134-6461-01	Bakstycke .....	Rear plate .....		
40	1				1137-0050-01	Frontkåpa- nedre .....	Front panel- lower .....		
41	2				9838-9516-12	Skruv .....	Screw .....		
42	1				1137-0051-01	Frontkåpa- övre .....	Front panel- upper .....		
43	2				9946-0525-16	Skruv .....	Screw .....		
44	1				1137-0052-01	Lamphållare .....	Lamp holder .....		
45	1				1137-0053-01	Toppkåpa .....	Top panel .....		
46	2				9838-9516-12	Skruv .....	Screw .....		
47	1				1137-0054-01	Lampglas .....	Lamp glass .....		



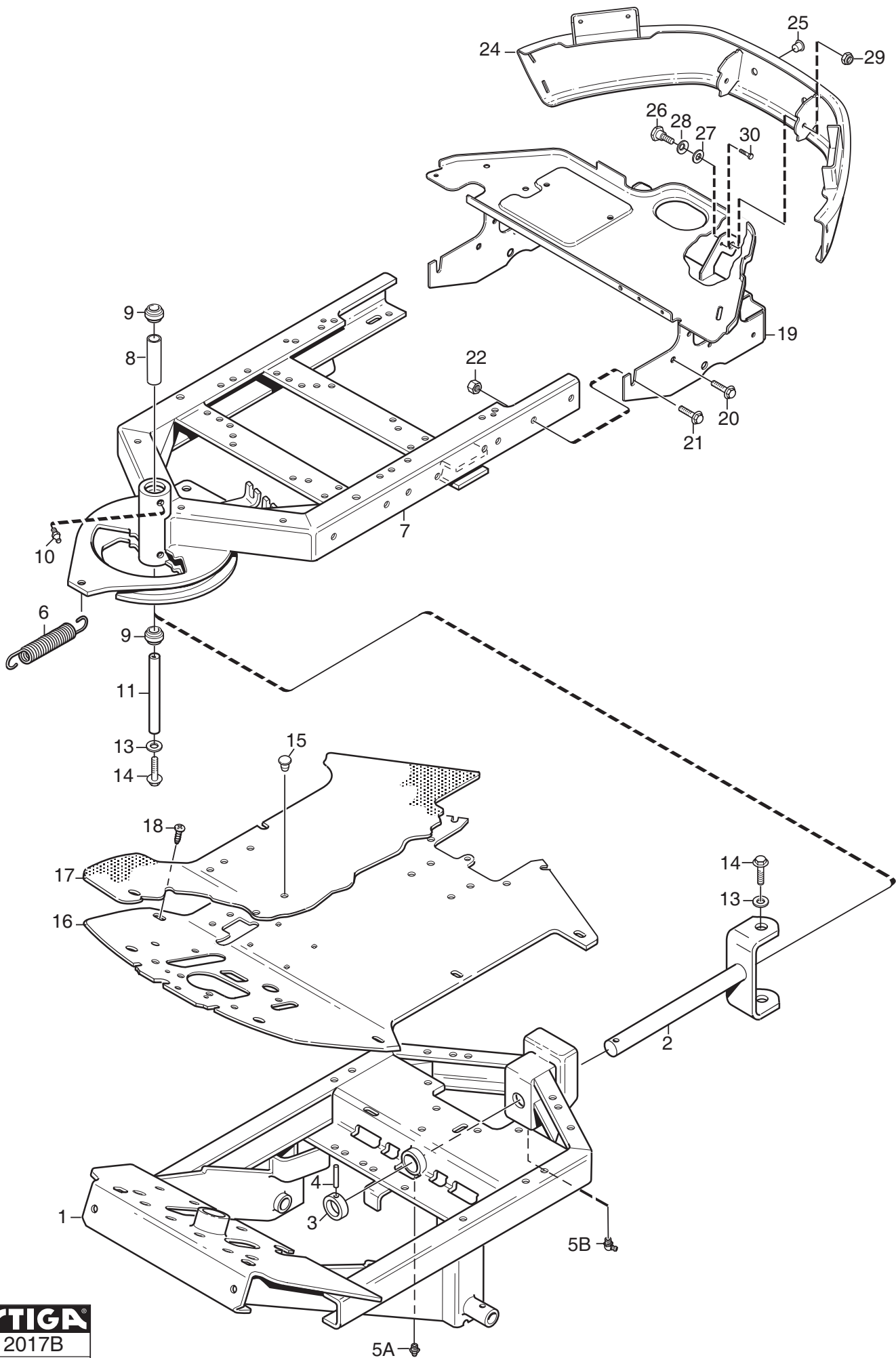


Utgåva Issue		Bildnr Picture No		PARK 2WD KAROSS- BAK		PARK 2WD BODY WORK- REAR		Sida Page	
2011- 11		2016C						70	
Pos. Fig.	Antal/Quantity				Art nr Part No	Benämning	Description	Sats Kit	Anmärkning Notes
	6311 6314 6379	6313	6144 - 75						
1	1	1	1		1134- 6025- 01	Motorhuv.....	Engine hood .....		
2	4	4	4		9893- 0616- 16	Skruv .....	Screw .....		
3	1	1	1		1134- 9028- 01	Gummistropp- sats .....	Rubber strap kit .....		Sats 3 st/kit of 3
4	1	1	1		9632- 0513- 00	Popnit .....	Pop rivet .....		
5	1	1	1		9699- 0120- 02	Bricka .....	Washer .....		
6	1	1	1		1134- 6026- 01	Motorlucka .....	Engine cover .....		
7	1	1	1		1134- 6027- 01	Ändavslut- vä .....	Bumper end- LH .....		
8	1	1	1		1134- 6027- 02	Ändavslut- hö .....	Bumper end- RH .....		
9	4	4	4		1134- 6310- 01	Clips .....	Clips .....		
15	1	1	1		1134- 4012- 03	Stödkonsol- hö .....	Support- RH .....		
16	1	1	1		1134- 4012- 04	Stödkonsol- vä .....	Support- LH .....		
17	1	1	1		9959- 0820- 16	Skruv .....	Screw .....		
18	1	1	1		9739- 0831- 22	Mutter .....	Nut .....		
19	1	1	1		1134- 6241- 01	Huvstöd .....	Hood support .....		
20	3	3	3		9893- 0616- 16	Skruv .....	Screw .....		
21	1	1	1		1134- 4800- 01	Innerskärm- hö .....	Inner mud guard- RH .....		
22	4	4	4		9699- 0060- 02	Planbricka .....	Flat washer .....		
23	4	4	4		9893- 0616- 16	Skruv .....	Screw .....		
24	1	1	1		1134- 4801- 01	Innerskärm- vä .....	Inner mud guard- LH .....		
30		3			1137- 0020- 01	Distans .....	Spacer .....		
31		3			9997- 0535- 16	Skruv .....	Screw .....		
32		3			9739- 0531- 22	Mutter .....	Nut .....		
33		3			9699- 0099- 02	Bricka .....	Washer .....		
34		3			9747- 0531- 02	Mutter .....	Nut .....		
99		1			1134- 6443- 04	Dekalsats .....	Decal kit .....		Excellent
99	1				1134- 6443- 09	Dekalsats .....	Decal kit .....		Ranger
99	1				1134- 6443- 10	Dekalsats .....	Decal kit .....		Plus

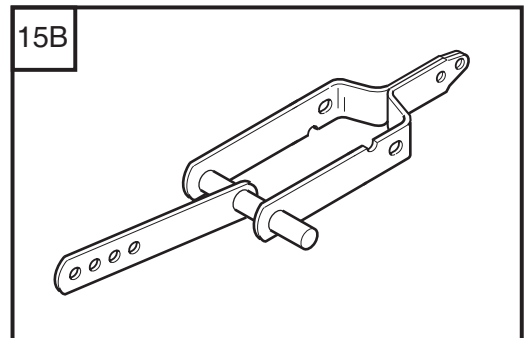
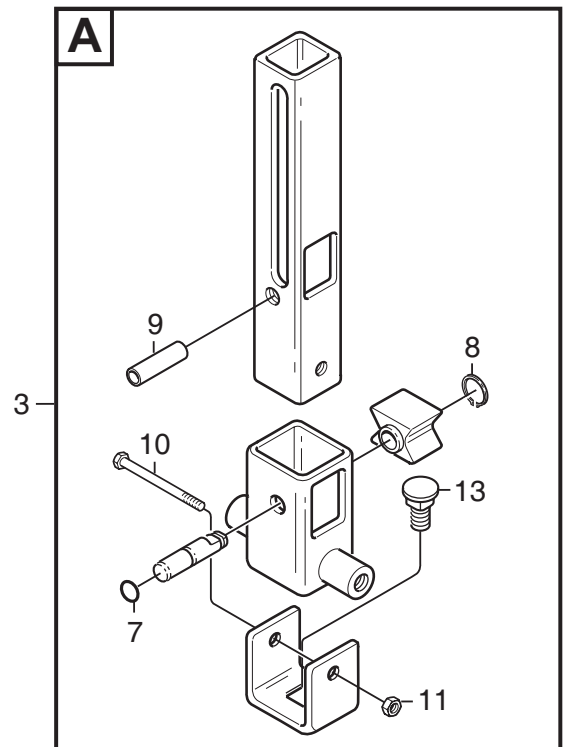
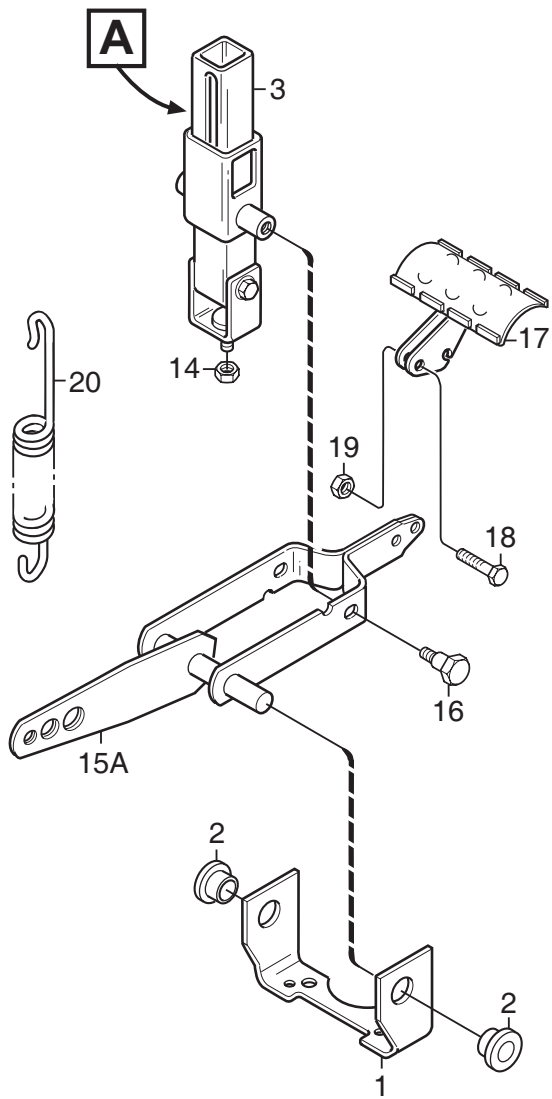
X



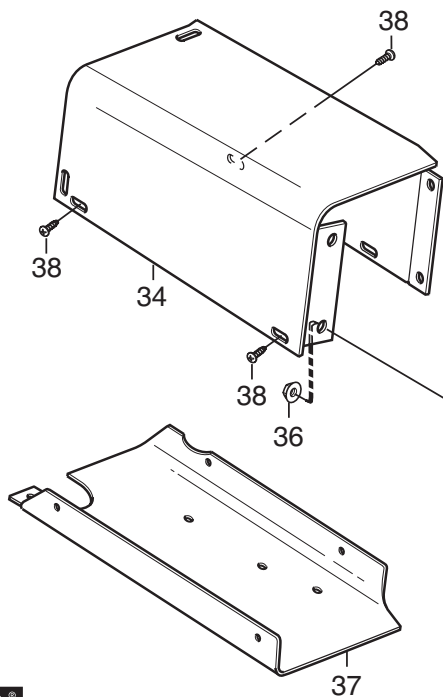
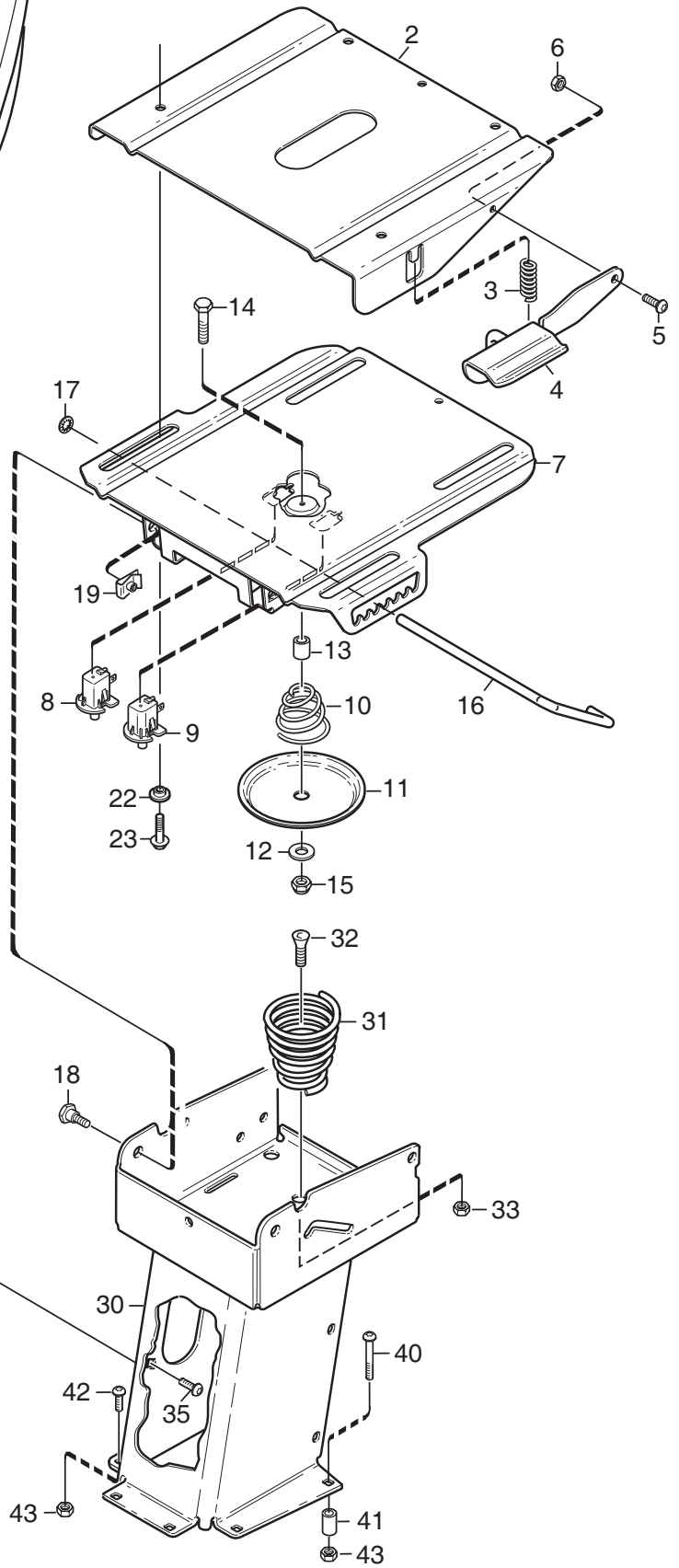
Utgåva Issue		Bildnr Picture No		PARK 2WD KAROSS (Frankrike)		PARK 2WD BODY WORK (France)		Sida Page	
2011- 11		2822						72	
Pos. Fig.	Antal/Quantity				Art nr Part No	Benämning	Description	Sats Kit	Anmärkning Notes
	6311 6379 FR								
X	1	1			1137-0352-01	Skydd .....	Protection .....		
X	2	1			1137-0354-01	Skydd .....	Protection .....		
X	3	2			1137-0355-01	Gummiduk.....	Rubber sheet.....		
	4	4			9893-0616-16	Skruv.....	Screw.....		
	5	4			9739-0631-22	Mutter.....	Nut.....		
	6	4			9699-0025-02	Planbricka.....	Washer.....		
X	10	1			1137-0413-01	Bygel .....	Loop.....		
	11	2			9893-0616-16	Skruv.....	Screw.....		
	12	2			9959-0620-16	Skruv.....	Screw.....		
	13	2			9739-0631-22	Mutter.....	Nut.....		
X	14	1			1137-0357-01	Överfall.....	Clamp.....		
X	20	1			1137-0391-01	Skydd .....	Protection .....		
	21	1			9893-0616-16	Skruv.....	Screw.....		
	22	1			9959-0620-16	Skruv.....	Screw.....		
	23	1			9739-0631-22	Mutter.....	Nut.....		
X	25	1			1137-0393-01	Skyddsplåt.....	Protection plate.....		
X	27	1			1137-0363-01	Skydd .....	Protection .....		
	28	2			9675-0009-02	Starlock .....	Starlock .....		
	29	6			9893-0616-16	Skruv.....	Screw.....		
	30	6			1134-5114-01	Distans .....	Spacer.....		
X	33A	1			1137-0366-01	Skydd- hö .....	Protection- RH .....		
X	33B	1			1137-0366-02	Skydd- vä.....	Protection- LH.....		
	34	8			9579-0003-00	Buntband .....	Cable holder.....		
X	35	1			1137-0414-01	Fäste.....	Bracket.....		



Utgåva Issue		Bildnr Picture No		PARK 2WD RAM		PARK 2WD FRAME		Sida Page	
2011- 11		2017B						74	
Pos. Fig.	Antal/Quantity				Art nr Part No	Benämning	Description	Sats Kit	Anmärkning Notes
	6311 6314 6313 6379	6144 - 75	6311 6379 FR						
X	1	1	1		1137-0182-01	Ram- främre .....	Frame- front .....		France  Rak/straight 90°
X	1			1	1137-0388-01	Ram- främre .....	Frame- front .....		
	2	1	1	1	1134-3963-02	• Midjegaffel .....	• Clevis .....		
	3	1	1	1	1134-0031-00	• Ledaxelstopp .....	• Pivot shaft stop .....		
	4	1	1	1	9595-0262-00	• Spännstift .....	• Locating pin .....		
	5A	1	1	1	9501-0500-00	• Smörjnippel .....	• Grease joint .....		
	5B	1	1	1	9501-0504-01	• Smörjnippel .....	• Grease joint .....		
	6	1	1	1	1134-2171-01	Fjäder .....	Spring .....		
	7	1	1	1	1134-6466-01	Ram- bakre .....	Frame- rear .....		
	8	1	1	1	1134-5705-01	• Distans .....	• Spacer .....		
	9	2	2	2	9547-0001-00	• Ledlager .....	• Bearing .....		
	10	2	2	2	9501-0500-00	• Smörjnippel .....	• Grease joint .....		
	11	1	1	1	1134-5988-01	Centrumaxel .....	Centre shaft .....		
	13	2	2	2	9699-0035-02	Planbricka .....	Flat washer .....		
	14	2	2	2	9959-1025-16	Skruv .....	Screw .....		
	15	2	2	2	9403-0048-70	Täckpropp .....	Plug .....		
	16	1	1	1	1134-6586-01	Durk .....	Floor plate .....		
	17	1	1	1	1134-6372-04	Durkmatta .....	Floor mat .....		
	18	2	2	2	9893-0616-16	Skruv .....	Screw .....		
	19	1	1	1	1134-5944-01	Tankhylla .....	Tank shelf .....		
	20	2	2	2	9945-0816-16	Skruv .....	Screw .....		
	21	2	2	2	9959-0820-16	Skruv .....	Screw .....		
	22	2	2	2	9739-0831-22	Mutter .....	Nut .....		
	24	1	1	1	1134-5676-01	Stötfångare .....	Bumper .....		
	25	2	2	2	1134-4100-01	Täckpropp .....	Plug .....		
	26	2	2	2	1134-0240-00	Ansätsskruv .....	Shoulder screw .....		
	27	2	2	2	1134-4242-01	Distansbricka .....	Spacer washer .....		
	28	2	2	2	9665-0002-00	Brickfjäder .....	Bowed washer .....		
	29	2	2	2	9747-0831-02	Mutter .....	Lock nut .....		
	30	2	2	2	9943-0516-16	Skruv .....	Screw .....		

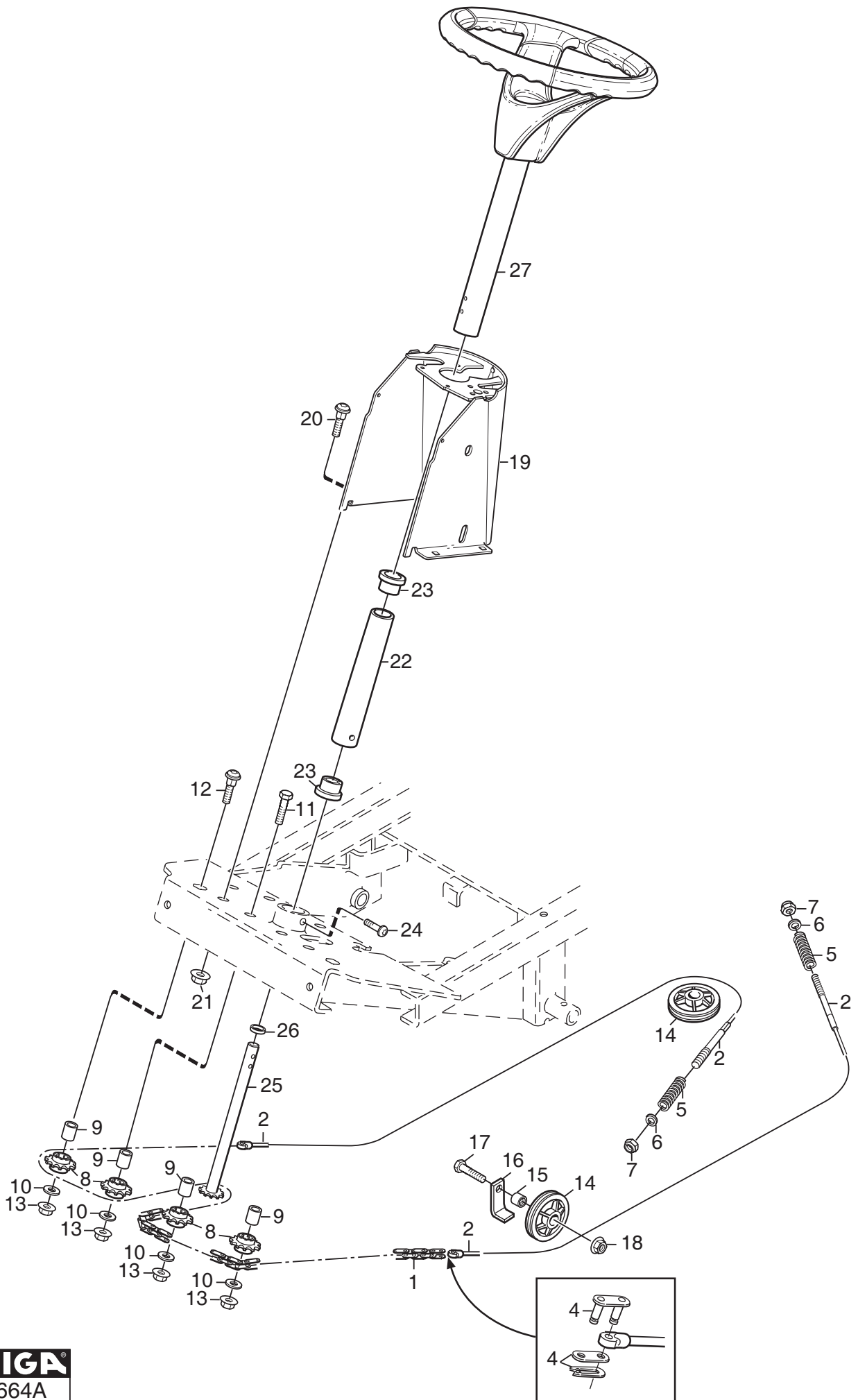


Utgåva Issue		Bildnr Picture No		PARK 2WD PEDALLYFT		PARK 2WD PEDAL LIFT		Sida Page	
2011-11		1023E						76	
Pos. Fig.	Antal/Quantity			Art nr Part No	Benämning	Description	Sats Kit	Anmärkning Notes	
	6311 6314 6313 6379	6144 -75							
1	1	1		1134-4117-01	Fäste .....	Bracket .....			
2	2	2		1134-2684-01	Lager .....	Bearing .....			
3	1	1		1134-4945-01	Lyftspärr kpl .....	Lift catch assy .....			
7	1	1		9404-0027-01	• O-ring .....	• O-ring .....			
8	1	1		9650-0039-04	• Seegersäkring .....	• Lock ring .....			
9	1	1		9595-0276-01	• Spännstift .....	• Locating pin .....			
10	1	1		9997-0640-12	• Skruv .....	• Screw .....			
11	1	1		9747-0631-02	• Låsmutter .....	• Lock nut .....			
13	1	1		9897-0820-16	• Skruv .....	• Screw .....			
14	1	1		9747-0831-02	Mutter .....	Lock nut .....			
15A	1			1137-0109-01	Lyftarm .....	Lift arm .....			
15B		1		1134-4860-01	Lyftgaffel .....	Lift fork .....			
16	2	2		1134-0240-00	Ansattsskruv .....	Shoulder screw .....			
17	1	1		1134-4938-01	Lyftpedal .....	Lift pedal .....			
18	2	2		9997-0625-16	Skruv .....	Screw .....			
19	2	2		9739-0631-22	Mutter .....	Nut .....			
20	1	1		4231-0013-00	Fjäder .....	Spring .....			

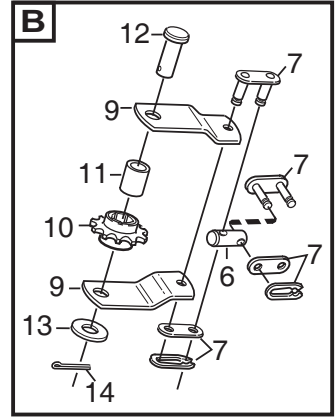
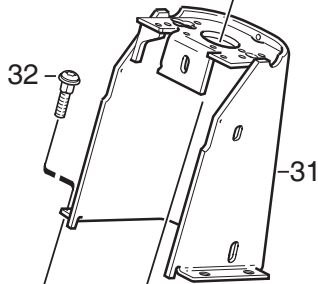
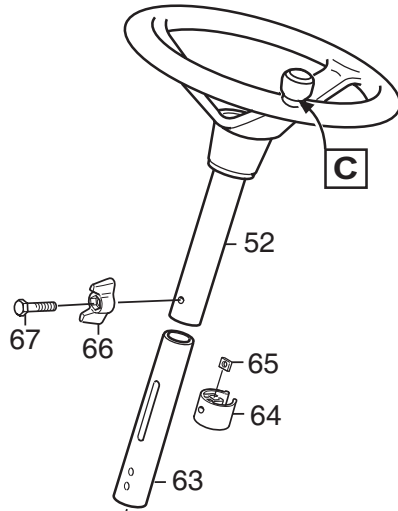
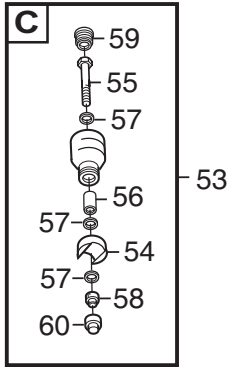




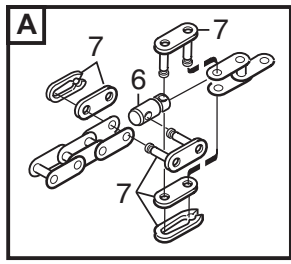
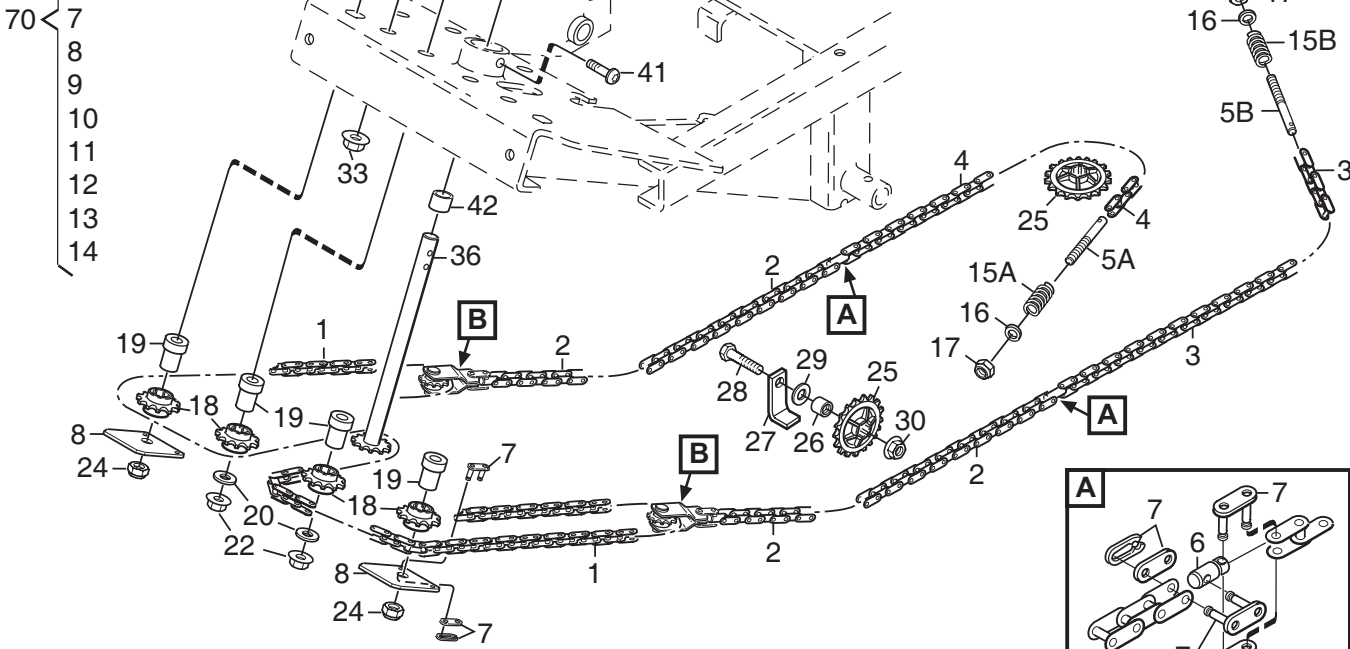
Utgåva Issue		Bildnr Picture No		PARK 2WD SITS		PARK 2WD SEAT		Sida Page	
2011- 11		2019B						78	
Pos. Fig.	Antal/Quantity			Art nr Part No	Benämning	Description	Sats Kit	Anmärkning Notes	
	6311 6314 6313 6379	6144 - 75							
1	1	1		1134-6444-01	Sits .....	Seat .....			
2	1	1		1134-6090-01	Glidplatta .....	Slide plate .....			
3	1	1		1134-3262-01	Tryckfjäder .....	Compression spring .....			
4	1	1		1134-6073-01	Handtag .....	Handle .....			
5	1	1		9893-0616-16	Skruv .....	Screw .....			
6	1	1		9747-0631-02	Låsmutter .....	Lock nut .....			
7	1	1		1134-6068-01	Glidplatta- undre .....	Slide plate-lower .....			
8	1	1		1134-3156-01	Brytare (svart) .....	Switch (black) .....			
9	1	1		1134-3156-02	Brytare (grå) .....	Switch (grey) .....			
10	1	1		1134-5302-01	Fjäder .....	Spring .....			
11	1	1		1134-5299-01	Tryckplatta .....	Push plate .....			
12	1	1		9699-0090-02	Planbricka .....	Flat washer .....			
13	1	1		1134-1565-06	Distans .....	Spacer .....			
14	1	1		9997-0840-12	Skruv .....	Screw .....			
15	1	1		9747-0831-02	Mutter .....	Lock nut .....			
16	1	1		1134-5179-01	Spärr .....	Catch .....			
17	1	1		9675-0012-02	Starlock .....	Locking washer .....			
18	2	2		1134-0240-00	Ansatsskruv .....	Shoulder screw .....			
19	2	2		1134-4620-02	Fjädermutter .....	Spring nut .....			
22	4	4		1134-6078-01	Ansatsbricka .....	Flange washer .....			
23	4	4		9959-0820-16	Skruv .....	Screw .....			
30	1	1		1134-5698-01	Sitskonsol .....	Seat bracket .....			
31	1	1		1134-4256-01	Sitsfjäder .....	Seat spring .....			
32	1	1		9924-1235-19	Skruv .....	Screw .....			
33	1	1		9747-1231-02	Låsmutter .....	Lock nut .....			
34	1	1		1134-3990-01	Armsvep .....	Attachment-side panel .....			
35	2	2		9897-0820-16	Skruv .....	Screw .....			
36	2	2		9739-0831-22	Mutter .....	Nut .....			
37	1	1		1134-4130-01	Lock- undre .....	Cover- lower .....			
38	4	4		9840-8013-16	Skruv .....	Screw .....			
40	2	2		9897-0880-12	Skruv .....	Screw .....			
41	2	2		1134-1565-08	Distans .....	Spacer .....			
42	4	4		9897-0820-16	Skruv .....	Screw .....			
43	6	6		9747-0831-02	Mutter .....	Lock nut .....			



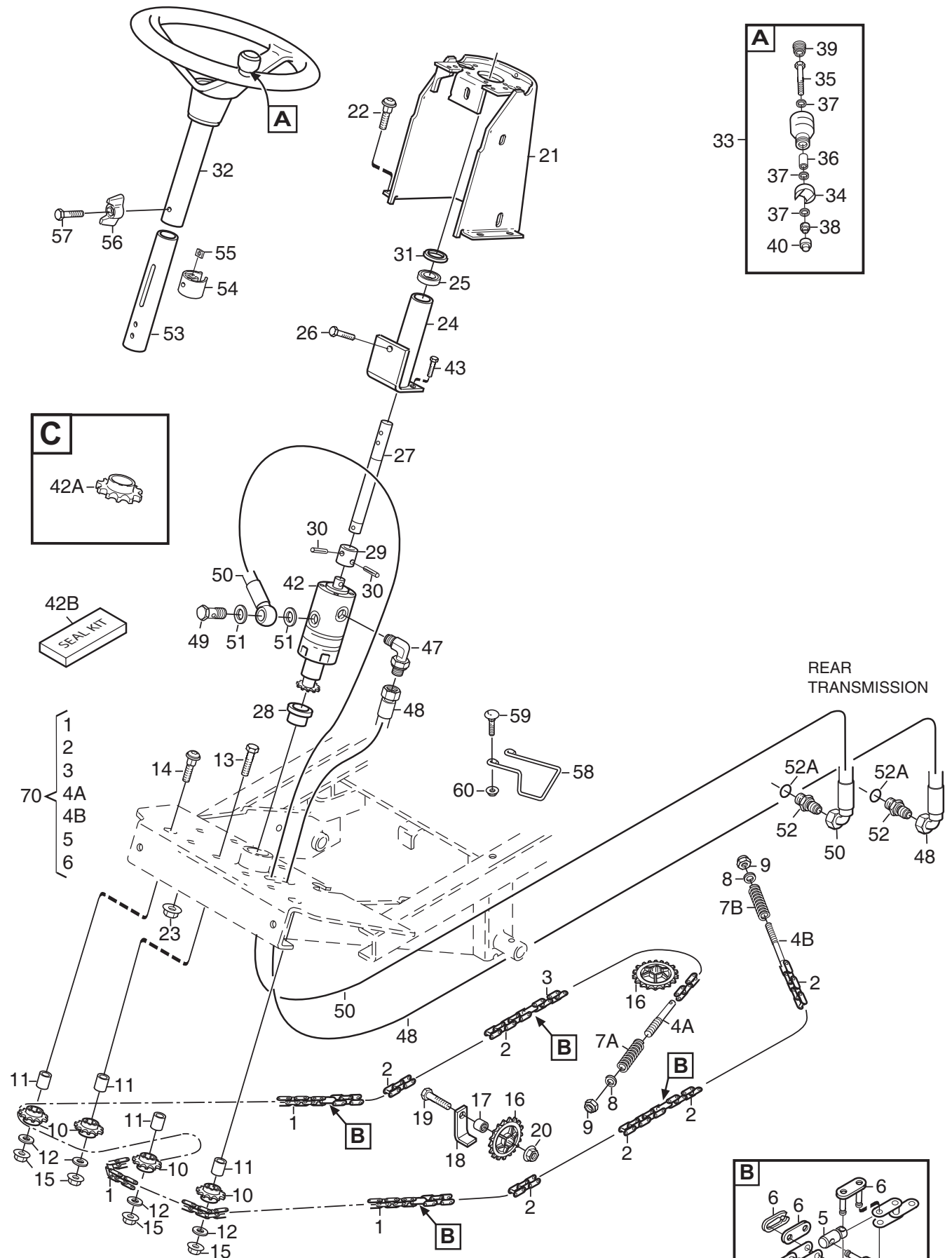




- 1
- 2
- 3
- 4
- 5A
- 5B
- 6
- 7
- 8
- 9
- 10
- 11
- 12
- 13
- 14

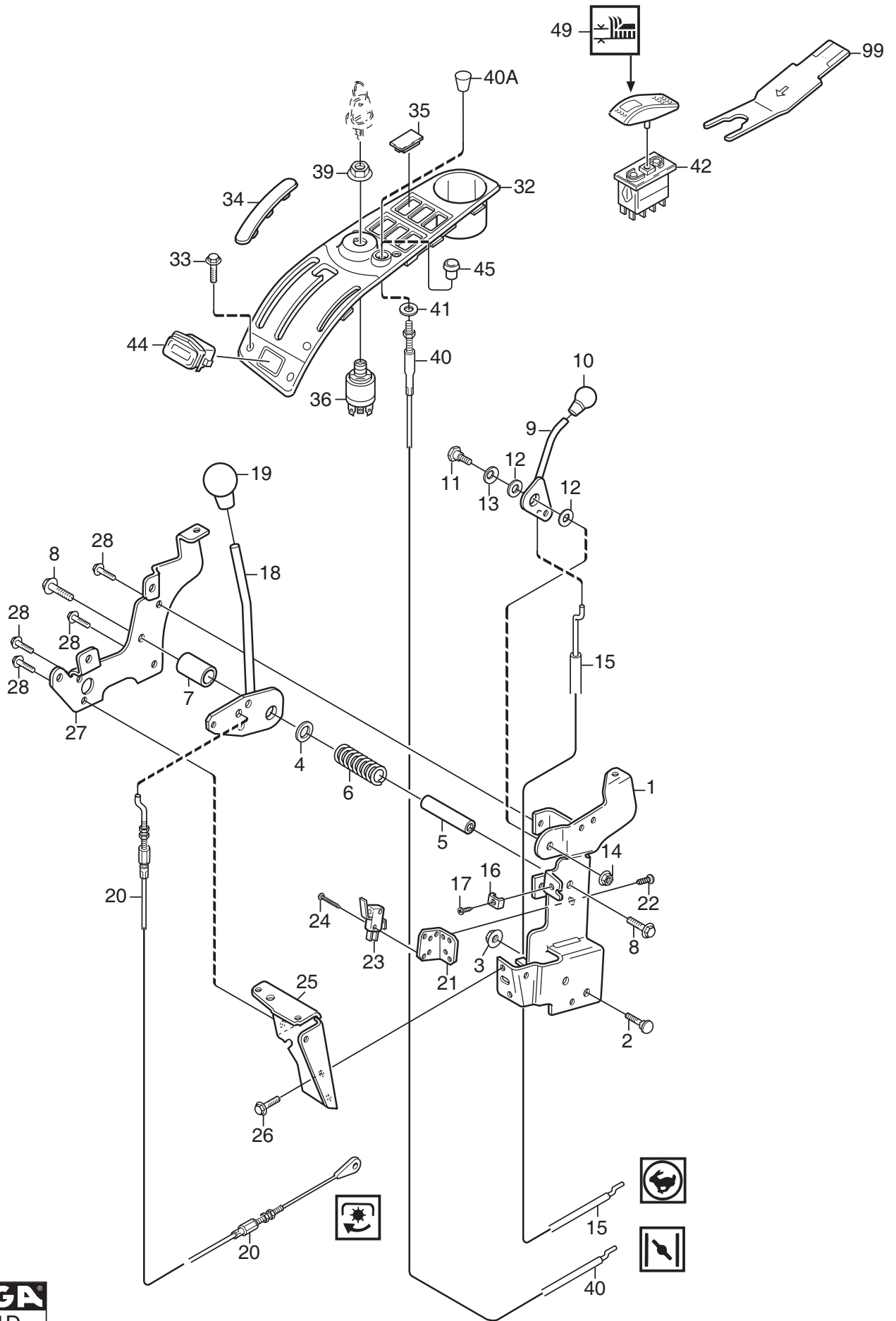


Utgåva Issue		Bildnr Picture No		PARK 2WD PLUS- EXCELLENT STYRNING		PARK 2WD PLUS- EXCELLENT STEERING		Sida Page	
2011- 11		1787E						82	
Pos. Fig.	Antal/Quantity				Art nr Part No	Benämning	Description	Sats Kit	Anmärkning Notes
	6311	6314	6313						
1	1				1134-6374-10	• Kedja.....	• Chain.....		129 länk
2	2				1134-6374-09	• Kedja.....	• Chain.....		35 länk
3	1				1134-6374-02	• Kedja.....	• Chain.....		41 länk
4	1				1134-6374-05	• Kedja.....	• Chain.....		47 länk
5A	1				1134-3550-01	• Ändnippel.....	• End nipple.....		L = 110 mm
5B	1				1134-3550-02	• Ändnippel.....	• End nipple.....		L = 90 mm
6	4				1134-3565-01	• Skarvnippel.....	• Connection nipple.....		
7	12				1134-2824-02	• Kedjelås.....	• Chain lock.....		
8	2				1134-5652-01	• Fäste.....	• Attachment.....		
9	4				1134-5651-01	• Bygel.....	• Bracket.....		
10	2				1134-2816-01	• Kedjehjul.....	• Sprocket.....		
11	2				1134-0041-02	• Linhjulshylsa.....	• Idler wheel bush.....		
12	2				1134-4817-01	• Kolvstångssprint.....	• Pin.....		
13	2				9699-0035-02	• Planbricka.....	• Flat washer.....		
14	2				9599-0054-02	• Saxpinne.....	• Cotter pin.....		
15A	1				1134-3817-01	Tryckfjäder.....	Compression spring.....		L = 58 mm
15B	1				1134-3817-02	Tryckfjäder.....	Compression spring.....		L = 33 mm
16	2				9699-0090-02	Planbricka.....	Flat washer.....		
17	2				9747-0831-02	Mutter.....	Lock nut.....		
18	4				1134-2816-01	Kedjehjul.....	Sprocket.....		
19	4				1134-5653-01	Distans.....	Spacer.....		
20	2				9699-0035-02	Planbricka.....	Flat washer.....		
21	2				9997-1060-12	Skruv.....	Screw.....		
22	2				9739-1031-22	Mutter.....	Nut.....		
23	2				9897-1060-12	Skruv.....	Screw.....		
24	2				9731-1031-22	Mutter.....	Nut.....		
25	3				1134-3547-01	Kedjehjul.....	Sprocket.....		
26	2				1134-0041-01	Linhjulshylsa.....	Bushing.....		
27	2				1134-0046-00	Linhållare.....	Wire clamp.....		
28	2				9997-1040-16	Skruv.....	Screw.....		
29	2				9699-0035-02	Planbricka.....	Flat washer.....		
30	2				9739-1031-22	Mutter.....	Nut.....		
31	1				1137-0066-01	Styrkonsol.....	Steering bracket.....		
32	4				9897-0820-16	Skruv.....	Screw.....		
33	4				9739-0831-22	Mutter.....	Nut.....		
34	1				1134-1305-03	Rattrör- nedre.....	Steering column- lower.....		
35	2				1134-1901-01	Lager.....	Bearing.....		
36	1				1137-0120-02	Rattstång.....	Steering rod.....		
41	2				9893-0616-16	Skruv.....	Screw.....		
42	1				1134-2837-03	Distans.....	Spacer.....		
52	1				1134-5173-02	Ratt kpl.....	Steering wheel assy.....		
53	1				1134-3769-01	• Styrknopp kpl.....	• Steering wheel button.....		
54	1				1134-3752-01	• Knoppfäste.....	• • Knob holder.....		
55	1				9997-0870-16	• Skruv.....	• • Screw.....		
56	1				1134-1565-06	• Distans.....	• • Spacer.....		
57	3				9699-0090-02	• Planbricka.....	• • Flat washer.....		
58	1				9747-0831-02	• Mutter.....	• • Lock nut.....		
59	1				9403-0043-70	• Plugg.....	• • Plug.....		
60	1				9403-0113-00	• Mutterhatt.....	• • Nut cap.....		
63	1				1137-0070-01	Rattrör- inre kpl.....	Steering tube- inner.....		
64	1				1134-5177-01	• Slid.....	• Slide.....		
65	1				9710-0631-12	• Fyrkantmutter.....	• Square nut.....		
66	1				1134-4481-02	Vingmutter.....	Wing nut.....		
67	1				9997-0630-12	Skruv.....	Screw.....		
X 70	1				1134-6380-03	Styrkedja kpl.....	Steering chain assy.....		Inkl. pos 1 - 14



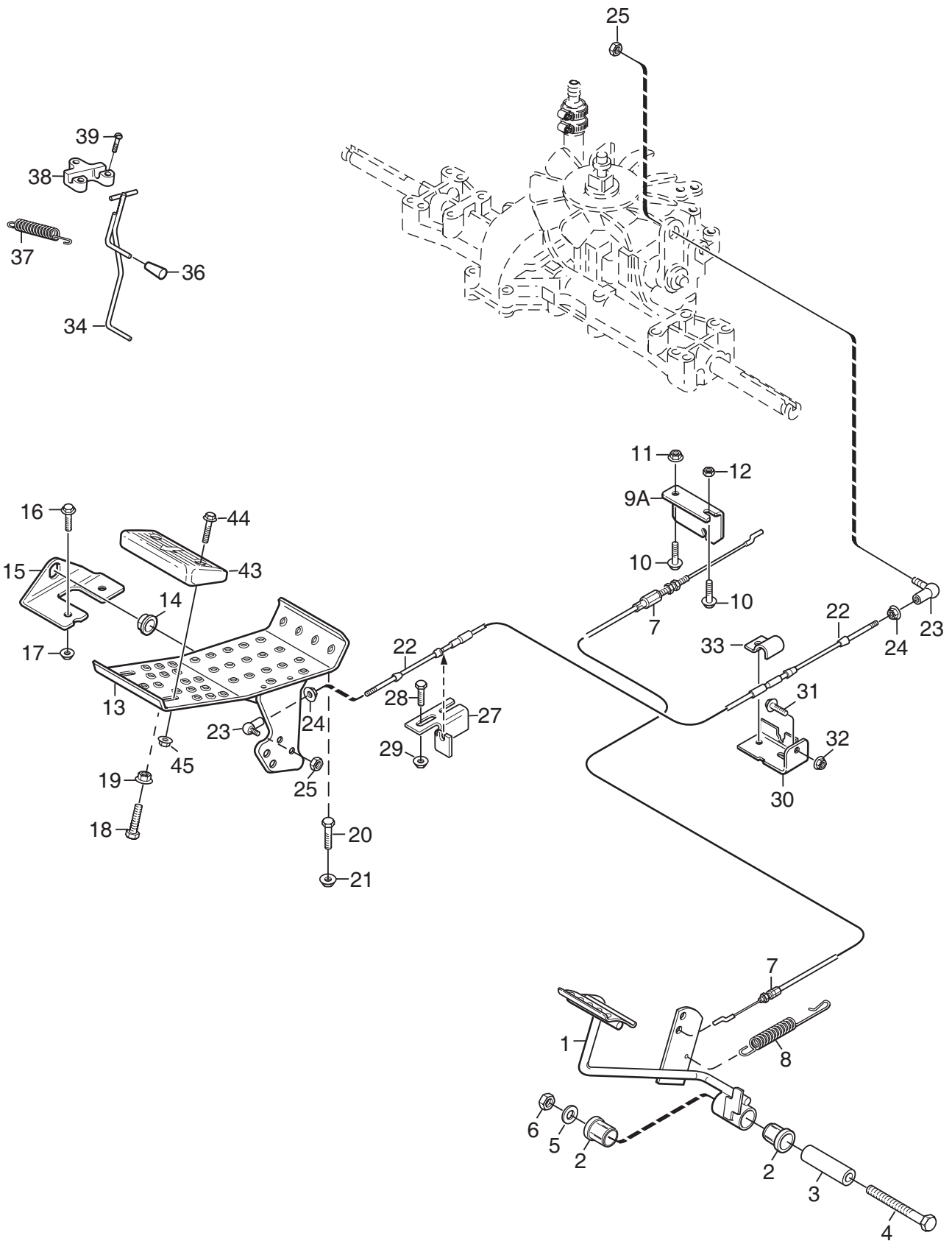
REAR TRANSMISSION

Utgåva Issue 2011- 11		Bildnr Picture No 2408C		PARK 2WD RANGER STYRNING		PARK 2WD RANGER STEERING		Sida Page 84	
Pos. Fig.	Antal/Quantity				Art nr Part No	Benämning	Description	Sats Kit	Anmärkning Notes
	6379								
1	1				1134-6374-06	• Kedja.....	• Chain.....		83 länk
2	3				1134-6374-02	• Kedja.....	• Chain.....		41 länk
3	1				1134-6374-04	• Kedja.....	• Chain.....		45 länk
4A	1				1134-3550-01	• Ändnippel.....	• End nipple.....		L = 110 mm
4B	1				1134-3550-02	• Ändnippel.....	• End nipple.....		L = 90 mm
5	4				1134-3565-01	• Skarvnippel.....	• Connection nipple.....		
6	10				1134-2824-02	• Kedjelås.....	• Chain lock.....		
7A	1				1134-3817-01	Tryckfjäder.....	Compression spring.....		L = 58 mm
7B	1				1134-3817-02	Tryckfjäder.....	Compression spring.....		L = 33 mm
8	2				9699-0090-02	Planbricka.....	Flat washer.....		
9	2				9747-0831-02	Mutter.....	Lock nut.....		
10	4				1134-2816-01	Kedjehjul.....	Sprocket.....		
11	4				1134-0041-02	Linhjulshylsa.....	Idler wheel bush.....		
12	4				9699-0035-02	Planbricka.....	Flat washer.....		
13	2				9997-1050-16	Skruv.....	Screw.....		
14	2				9897-1040-12	Skruv.....	Screw.....		
15	4				9739-1031-22	Mutter.....	Nut.....		
16	3				1134-3547-01	Kedjehjul.....	Sprocket.....		
17	2				1134-0041-01	Linhjulshylsa.....	Bushing.....		
18	2				1134-0046-00	Linhållare.....	Wire clamp.....		
19	2				9997-1030-16	Skruv.....	Screw.....		
20	2				9739-1031-22	Mutter.....	Nut.....		
21	1				1137-0066-01	Styrkonsol.....	Steering bracket.....		
22	4				9897-0820-16	Skruv.....	Screw.....		
23	4				9739-0831-22	Mutter.....	Nut.....		
24	1				1137-0044-01	Rattrör- nedre.....	Steering tube- lower.....		
25	1				9549-0017-00	Kullager.....	Ball bearing.....		
26	1				9945-0816-16	Skruv.....	Screw.....		
27	1				1137-0045-01	Rattstång.....	Steering rod.....		
28	1				1134-4114-01	Bussning.....	Bushing.....		
29	1				1134-4118-01	Koppling.....	Coupling.....		
30	2				9595-0256-01	Spännstift.....	Pin.....		
31	1				9695-0011-00	Bricka.....	Washer.....		
32	1				1134-5173-02	Ratt kpl.....	Steering wheel assy.....		
33	1				1134-3769-01	• Styrknopp kpl.....	• Steering wheel button.....		
34	1				1134-3752-01	• Knoppfäste.....	• Knob holder.....		
35	1				9997-0870-16	• Skruv.....	• Screw.....		
36	1				1134-1565-06	• Distans.....	• Spacer.....		
37	3				9699-0090-02	• Planbricka.....	• Flat washer.....		
38	1				9747-0831-02	• Mutter.....	• Lock nut.....		
39	1				9403-0043-70	• Plugg.....	• Plug.....		
40	1				9403-0113-00	• Mutterhatt.....	• Nut cap.....		
42	1				1134-6420-01	Momentförstärkare.....	Steering booster.....		Inkl. pos 42A
X 42A	1				1139-2106-01	• Drev.....	• Pinion.....		
42B	1				1139-2074-01	Reparationssats.....	Seal kit.....		
43	3				9939-0612-16	Skruv.....	Screw.....		
47	1				1134-7073-01	Vinkeladapter.....	Hydraulic coupling.....		
X 48	1				1137-0195-02	Hydraulslang.....	Hydraulic tube.....		L = 1740 mm
49	1				1134-6323-01	Banjobult.....	Banjo bolt.....		
X 50	1				1137-0214-03	Hydraulslang.....	Hydraulic tube.....		L = 2050 mm
51	2				1134-4948-02	Tredobricka.....	Tredo washer.....		
52	2				1134-4282-01	Hydraulnippel.....	Hydraulic nipple.....		
52A	1				9404-0028-01	• O-ring.....	• O-ring.....		
53	1				1137-0070-01	Rattrör- inre kpl.....	Steering tube- inner.....		
54	1				1134-5177-01	• Slid.....	• Slide.....		
55	1				9710-0631-12	• Fyrkantmutter.....	• Square nut.....		
56	1				1134-4481-02	Vingmutter.....	Wing nut.....		
57	1				9997-0630-12	Skruv.....	Screw.....		
58	1				1137-0112-01	Bygel.....	Guide.....		
59	2				9897-0616-16	Vagnsbult.....	Carriage bolt.....		
60	2				9739-0631-22	Mutter.....	Nut.....		
X 70	1				1134-6379-02	Styrkedja kpl.....	Steering chain assy.....		Inkl. pos 1 - 6

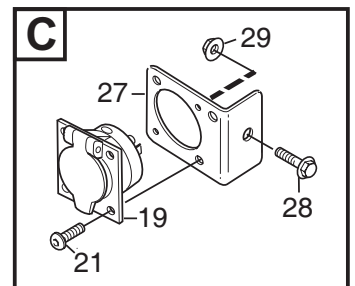
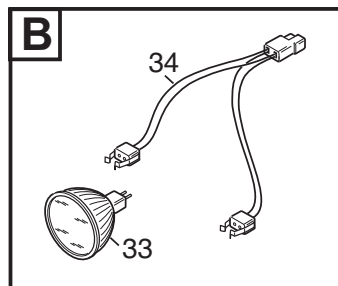
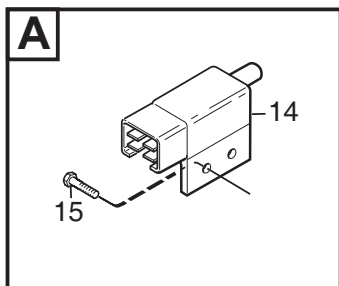
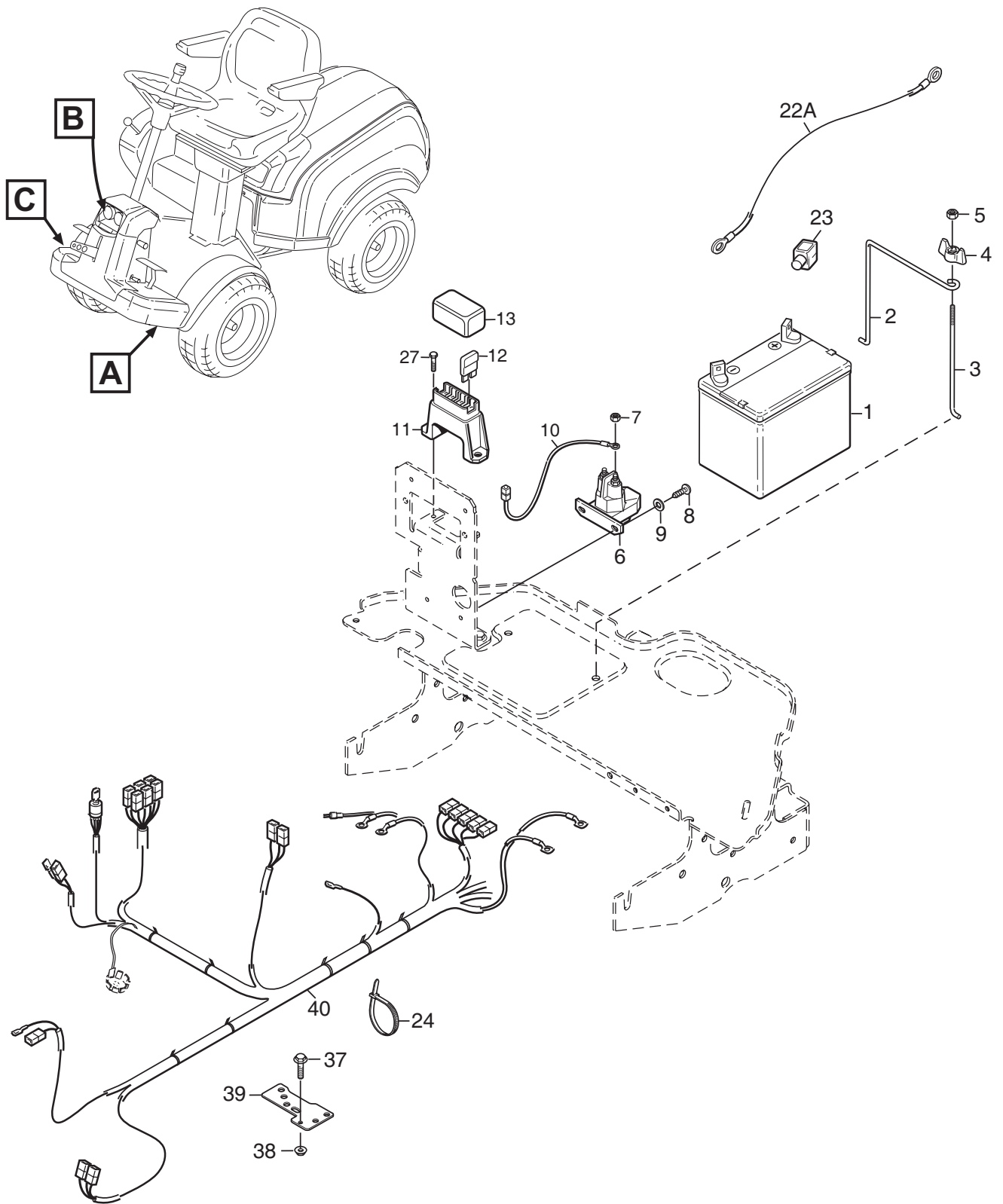




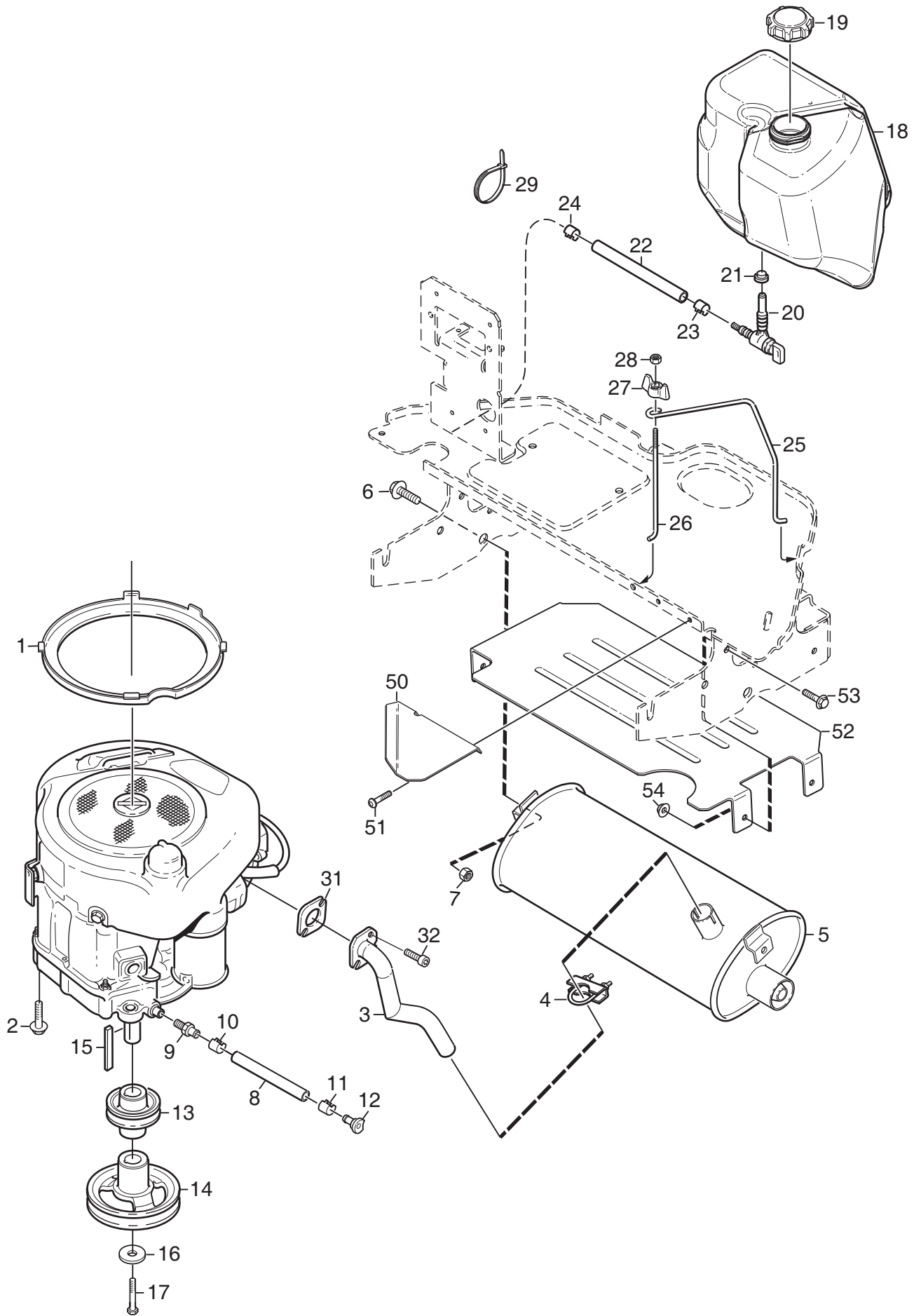
Utgåva Issue		Bildnr Picture No		PARK 2WD HANDREGLAGE		PARK 2WD HAND CONTROLS		Sida Page	
2011- 11		1991D						86	
Pos. Fig.	Antal/Quantity			Art nr Part No	Benämning	Description	Sats Kit	Anmärkning Notes	
	6311 6314	6313 6379	6144 - 75						
	1	1	1	1134-4156-01	Vinkelhållare .....	Panel bracket- inner .....			
	2	2	2	9897-0820-16	Skruv .....	Screw .....			
	3	2	2	9739-0831-22	Mutter .....	Nut .....			
	4	1	1	9695-0011-00	Bricka .....	Washer .....			
	5	1	1	1134-4065-01	Reglageaxel .....	Control shaft .....			
	6	1	1	1134-4079-01	Fjäder .....	Spring .....			
	7	1	1	1134-4080-03	Reglagehylsa .....	Control sleeve .....			
	8	2	2	9959-0820-16	Skruv .....	Screw .....			
	9	1	1	1134-4077-01	Gasreglage .....	Throttle control .....			
	10	1	1	1134-4078-01	Knopp .....	Knob .....			
	11	1	1	1134-0240-00	Ansatsskruv .....	Shoulder screw .....			
	12	2	2	1134-4242-01	Distansbricka .....	Spacer washer .....			
	13	1	1	9694-0001-00	Fjäderbricka .....	Washer .....			
	14	1	1	9747-0831-02	Mutter .....	Lock nut .....			
X	15	1	1	1137-0063-02	Gaswire .....	Throttle cable .....		L1 = 925 mm	
X	15	1	1	1137-0063-03	Gaswire .....	Throttle cable .....		L1 = 1413 mm	
	16	1	1	1137-0115-01	Överfall .....	Cable clamp .....			
	17	1	1	9943-0516-16	Skruv .....	Screw .....			
	18	1	1	1134-4072-01	Aggregatspak .....	Control lever .....			
	19	1	1	1134-2551-01	Reglageknopp .....	Knob .....			
	20	1	1	1134-3573-03	Wire .....	PTO cable .....			
	21	1	1	1134-5358-01	Brytarfäste .....	Switch bracket .....			
	22	2	2	9852-8013-16	Skruv .....	Screw .....			
	23	1	1	9400-0360-01	Mikrobrytare .....	Micro switch .....			
	24	2	2	9840-7716-16	Skruv .....	Screw .....		L = 16 mm	
	25	1	1	1134-6328-01	Frontfäste .....	Panel bracket- front .....			
	26	2	2	9893-0616-16	Skruv .....	Screw .....			
	27	1	1	1134-6327-01	Frontplåt .....	Front plate .....			
	28	4	4	9893-0616-16	Skruv .....	Screw .....			
	32		1	1134-6096-02	Kassett .....	Dashboard .....			
	32	1		1134-6096-05	Kassett .....	Dashboard .....			
	33	4	4	9946-0525-16	Skruv .....	Screw .....			
	34	1	1	1134-4154-01	Täckbricka .....	Cover .....			
	35	5	5	1134-4129-01	Täckbricka .....	Cover .....			
	36	1	1	1134-4093-01	Tändningslås .....	Ignition switch .....			
	39	1	1	1134-4749-01	Mutter .....	Nut .....			
	40		1	1134-2872-03	Chokereglage .....	Choke control .....			
X	40		1	1137-0062-03	Chokereglage .....	Choke control .....			
	40A		1	1134-4338-01	• Reglageknopp .....	• Control knob .....			
	41		1	9699-0090-02	Planbricka .....	Flat washer .....			
	42	1	1	9400-0282-01	Brytare m.diod .....	Switch w.diode .....			
X	44	1	1	1134-6097-02	Timräknare .....	Hour meter .....			
	45	1		1134-4100-01	Täckpropp .....	Plug .....			
	49	1	1	9400-0280-03	Vippa- höjinställning .....	Cover- height adjust .....			
	99	1	1	9400-0290-01	Verktyg f.vippa .....	Tool for cover .....		Tillbehör/Accessory	



Utgåva Issue		Bildnr Picture No		PARK 2WD FOTREGLAGE		PARK 2WD FOOT CONTROLS		Sida Page	
2011- 11		2206C						88	
Pos. Fig.	Antal/Quantity			Art nr Part No	Benämning	Description	Sats Kit	Anmärkning Notes	
	6311 6314 6313 6379	6144 - 75							
1	1	1		1134-5655-01	Broms/kopplingspedal.....	Brake/clutch pedal.....		Sats 4 st/kit of 4	
2	1	1		1134-9024-01	Lager.....	Bearing.....			
3	1	1		1134-5677-02	Distans.....	Spacer.....			
4	1	1		9997-1070-12	Skruv.....	Screw.....			
5	1	1		9699-0030-02	Planbricka.....	Flat washer.....			
6	1	1		9739-1031-22	Mutter.....	Nut.....			
7	1	1		1134-6005-01	Wire.....	Cable.....			
8	1	1		4231-0013-00	Fjäder.....	Spring.....			
9A	1	1		1134-6467-01	Wirefäste.....	Cable holder.....			
10	2	2		9959-0820-16	Skruv.....	Screw.....			
11	1	1		9739-0831-22	Mutter.....	Nut.....			
12	1	1		9747-0831-02	Mutter.....	Lock nut.....			
13	1	1		1134-6353-01	Drivpedal.....	Drive pedal.....			
14	2	2		1134-6313-01	Lager.....	Bearing.....			
15	2	2		1134-2700-01	Fäste.....	Bracket.....			
16	2	2		9959-0820-16	Skruv.....	Screw.....			
17	2	2		9739-0831-22	Mutter.....	Nut.....			
18	1	1		9997-0835-16	Skruv.....	Screw.....			
19	1	1		9739-0831-22	Mutter.....	Nut.....			
20	1	1		9959-0820-16	Skruv.....	Screw.....			
21	1	1		9739-0831-22	Mutter.....	Nut.....			
22	1	1		1134-2766-05	Reglagewire.....	Speed control cable.....			
23	2	2		9570-0001-00	Vinkellänk.....	Elbow link.....			
24	2	2		9739-0531-22	Mutter.....	Nut.....			
25	2	2		9747-0531-02	Mutter.....	Nut.....			
27	1	1		1134-6317-01	Wirefäste.....	Cable holder.....			
28	2	2		9959-0620-16	Skruv.....	Screw.....			
29	2	2		9739-0631-22	Mutter.....	Nut.....			
30	1	1		1134-3395-01	Fäste.....	Attachment.....			
31	2	2		9959-0820-16	Skruv.....	Screw.....			
32	2	2		9739-0831-22	Mutter.....	Nut.....			
33	1	1		1134-2021-01	Växelwirefäste.....	Clamp.....			
34	1	1		1134-5353-01	Bromsstång.....	Brake rod.....			
36	1	1		1134-2786-01	Plastknopp.....	Plastic knob.....			
37	1	1		1131-1497-01	Fjäder.....	Spring.....			
38	1	1		1134-4002-01	Fäste.....	Brake rod attachment.....			
39	3	3		9838-9516-12	Skruv.....	Screw.....			
43	2			1134-6340-02	Fotstöd.....	Foot rest.....			
44	4			9959-0620-16	Skruv.....	Screw.....			
45	4			9739-0631-22	Mutter.....	Nut.....			

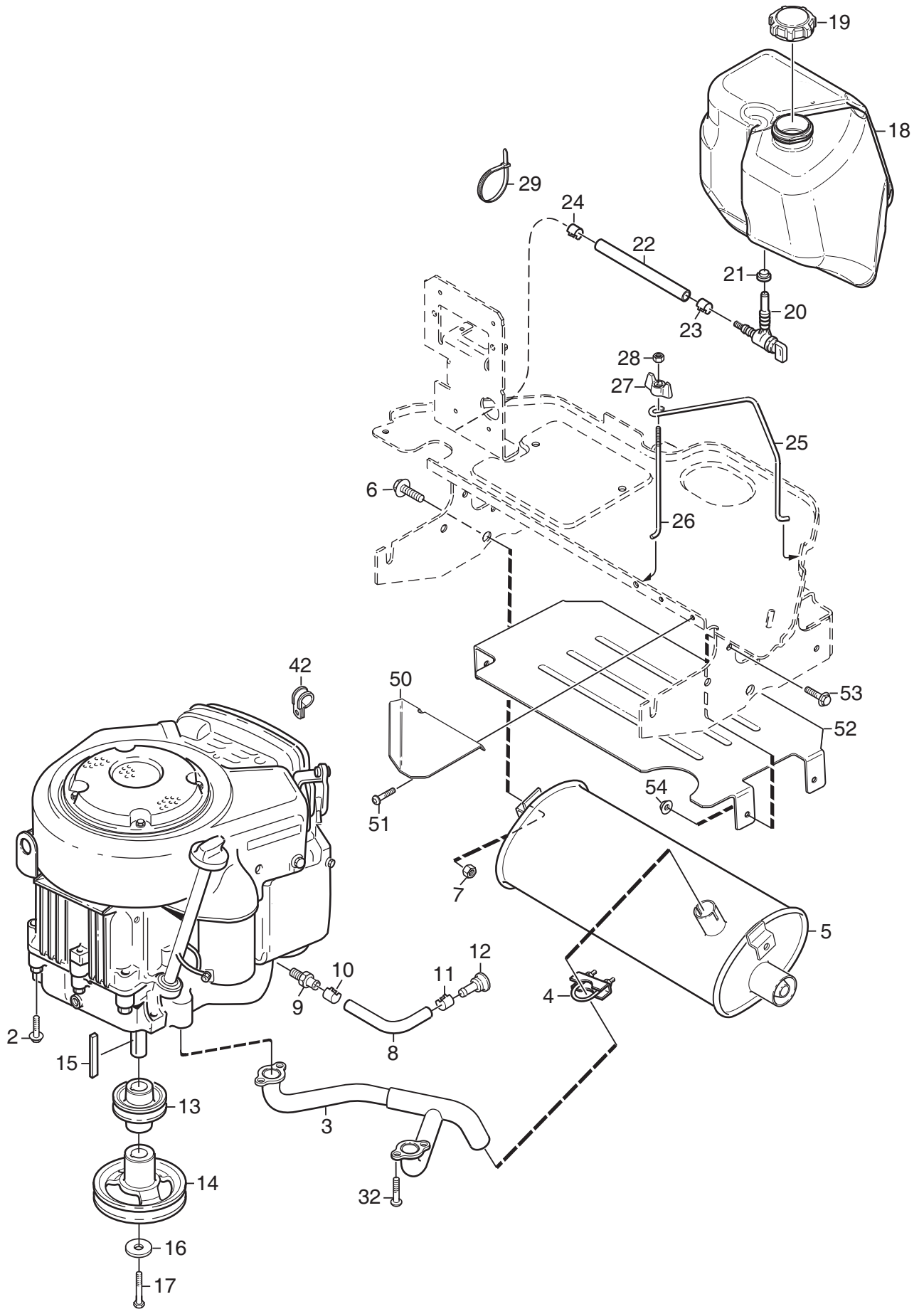


Utgåva Issue 2011- 11		Bildnr Picture No 2020H		PARK 2WD ELUTRUSTNING		PARK 2WD EL. EQUIPMENT		Sida Page 90	
Pos. Fig.	Antal/Quantity				Art nr Part No	Benämning	Description	Sats Kit	Anmärkning Notes
	6311 6314 6313	6379	6144 - 75						
1	1	1	1		1134-5751-01	Batteri .....	Battery .....		
2	1	1	1		1134-5994-01	Batteribygel .....	Battery loop.....		
3	1	1	1		1134-5995-01	Batteribygel .....	Battery loop.....		
4	1	1	1		1134-4481-02	Vingmutter .....	Wing nut .....		
5	1	1	1		9747-0631-02	Låsmutter .....	Lock nut .....		
6	1	1	1		1134-2962-01	Solenoid kpl .....	Solenoid assy.....		Inkl. pos 7
7	2	2	2		9794-5131-02	• Mutter .....	• Nut .....		
8	2	2	2		9852-8013-16	Skruv .....	Screw .....		
9	2	2	2		9699-0060-02	Planbricka .....	Flat washer.....		
10	1	1	1		1134-4970-02	Kabel- röd .....	Cable- red .....		
11	1	1	1		1134-3491-01	Säkringshållare .....	Fuse holder .....		
12	1	1	1		1134-3496-01	Säkring .....	Fuse .....		10A
12	1	1	1		1134-3496-06	Säkring .....	Fuse .....		20A
12	1	1	1		1134-3496-07	Säkring .....	Fuse .....		30A
13	1	1	1		1134-3631-01	Lock- säkringsdosa.....	Cover- fuse holder.....		
14	1	1	1		1134-3399-02	Brytare .....	Switch .....		
15	2	2	2		9943-0516-16	Skruv .....	Screw .....		
19	1	1			1134-7535-01	Honkontakt .....	Female terminal.....		
21	2	2			9840-7716-16	Skruv .....	Screw .....		
22 A	1	1	1		1134-0234-02	Batterikabel ( + ) .....	Battery cable ( + ).....		
23	1	1	1		1134-2310-01	Batteriskydd .....	Guard cap .....		
24	5	5	7		9579-0003-00	Buntband .....	Cable holder .....		
X 24	2	2			9579-0018-01	Buntband .....	Cable tie .....		L=390
27	1	1			1137-0075-01	Fäste .....	Bracket .....		
28	1	1			9959-0820-16	Skruv .....	Screw .....		
29	1	1			9739-0831-22	Mutter .....	Nut .....		
33	2	2			9400-0358-01	LED- lampa .....	LED- lamp .....		
34	1	1			1134-7505-01	Kablage .....	Harness .....		
37			1		9959-0612-16	Skruv .....	Screw .....		
38			1		9739-0631-22	Mutter .....	Nut .....		
39		1	1		1134-6454-01	Jordplåt .....	Ground plate .....		
40	1				1134-6441-01	Kablage .....	Harness .....		B&S
40		1	1		1137-0027-01	Kablage .....	Harness .....		Honda



Utgåva Issue 2011- 11		Bildnr Picture No 2021		PARK 2WD PLUS- PLUS UNLTD MOTOR (Briggs & Stratton)		PARK 2WD PLUS- PLUS UNLTD ENGINE (Briggs & Stratton)		Sida Page 92	
Pos. Fig.	Antal/Quantity				Art nr Part No	Benämning	Description	Sats Kit	Anmärkning Notes
	6311								
1	1				1134-6116-02	Luffring.....	Air duct .....		
2	4				9955-3725-16	Skruv.....	Screw.....		
3	1				1134-6100-01	Grenrör.....	Exhaust pipe .....		
4	1				9578-0011-01	Klämma.....	Clamp.....		
5	1				1134-6024-01	Ljuddämpare .....	Muffler .....		
6	1				9959-0820-16	Skruv.....	Screw.....		
7	1				9739-0831-22	Mutter.....	Nut.....		
8	1				1134-5827-01	Oljeavtappning kpl.....	Oil drain assy .....		
9	1				1134-5825-01	• Nippel.....	• Nipple.....		Inkl. pos 9 - 12
10	1				9578-0023-04	• Slangklämma.....	• Hose clamp .....		
11	1				1134-3499-02	• Slangklämma.....	• Hose clamp .....		
12	1				1134-5826-01	• Plugg.....	• Plug.....		
13	1				1137-0007-01	Motorremskiva .....	Engine pulley.....		Ø = 85 mm
14	1				1137-0082-01	Motorremskiva .....	Engine pulley.....		Ø = 139 mm
15	1				9600-0251-01	Kil.....	Key.....		
16	1				1134-5017-01	Bricka.....	Washer.....		
17	1				9987-5332-16	Skruv.....	Screw .....		
18	1				1134-5938-01	Bränsletank.....	Fuel tank .....		
19	1				1134-5532-01	Tanklock .....	Fuel tank cap.....		
20	1				1134-3224-01	Bensinkran.....	Fuel shut-off valve .....		
21	1				1134-3225-01	Gummibussning.....	Grommet.....		
22	1,1				9505-0001-01	Bensinslang (meter) .....	Fuel line (metre).....		Per meter
23	1				9578-0023-02	Slangklämma.....	Hose clamp .....		
24	1				9578-0023-02	Slangklämma.....	Hose clamp .....		
25	1				1134-5942-01	Tankbygel .....	Tank loop .....		
26	1				1134-5996-01	Tankbygel .....	Tank loop .....		
27	1				1134-4481-02	Vingmutter.....	Wing nut.....		
28	1				9747-0631-02	Låsmutter .....	Lock nut.....		
29	1				9579-0003-00	Buntband.....	Cable holder.....		
30	1				9852-8013-16	Skruv.....	Screw.....		
31	1				1134-0433-00	Ljuddämparpackning.....	Muffler gasket.....		
32	2				1134-4930-01	Skruv.....	Screw.....		
50	1				1134-6234-01	Deflektor.....	Heat deflector.....		
51	2				9943-0516-16	Skruv.....	Screw.....		
52	1				1134-6251-01	Deflektor.....	Heat deflector.....		
53	4				9959-0612-16	Skruv.....	Screw.....		
54	4				9739-0631-22	Mutter.....	Nut.....		

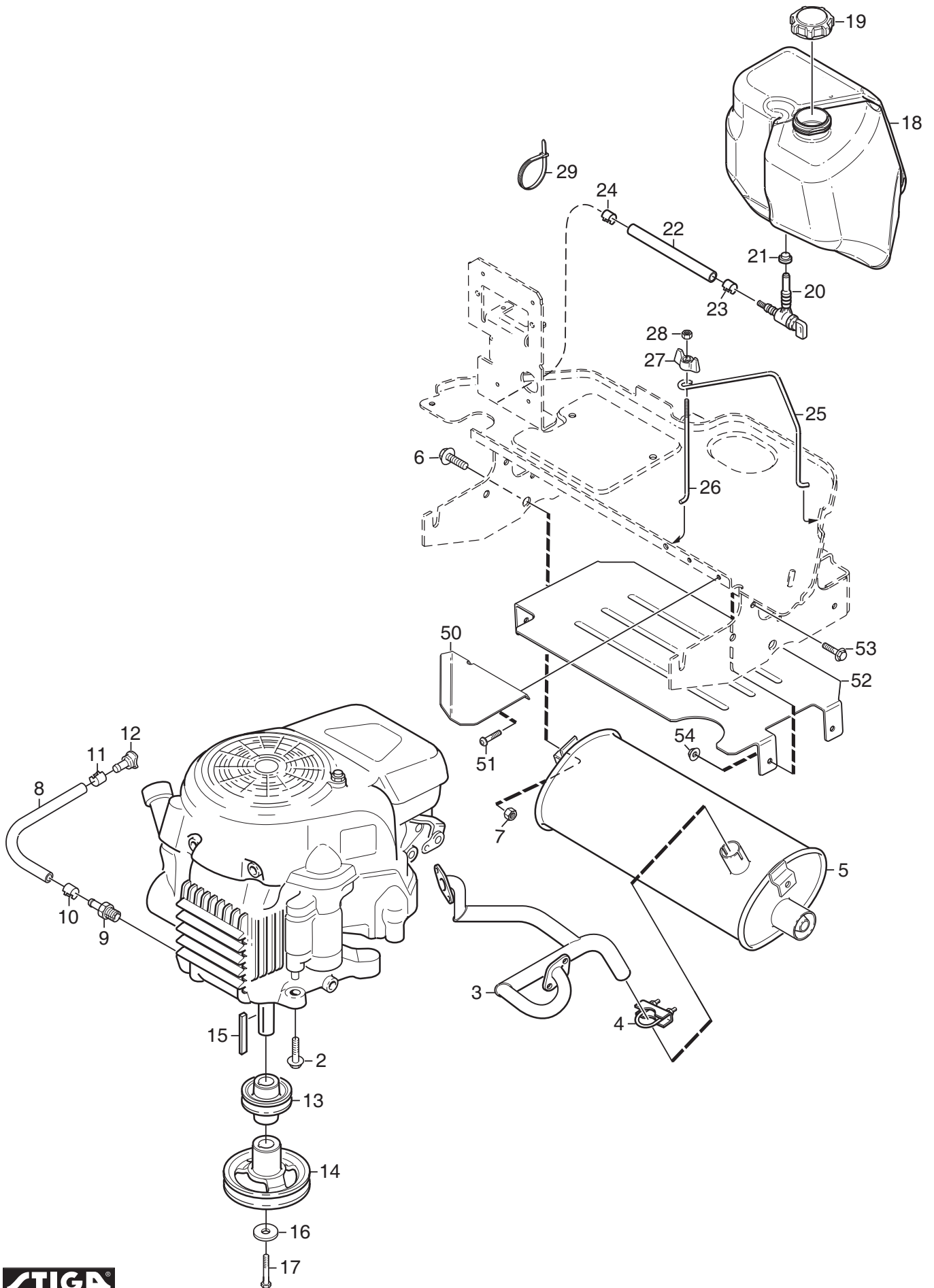
X  
X





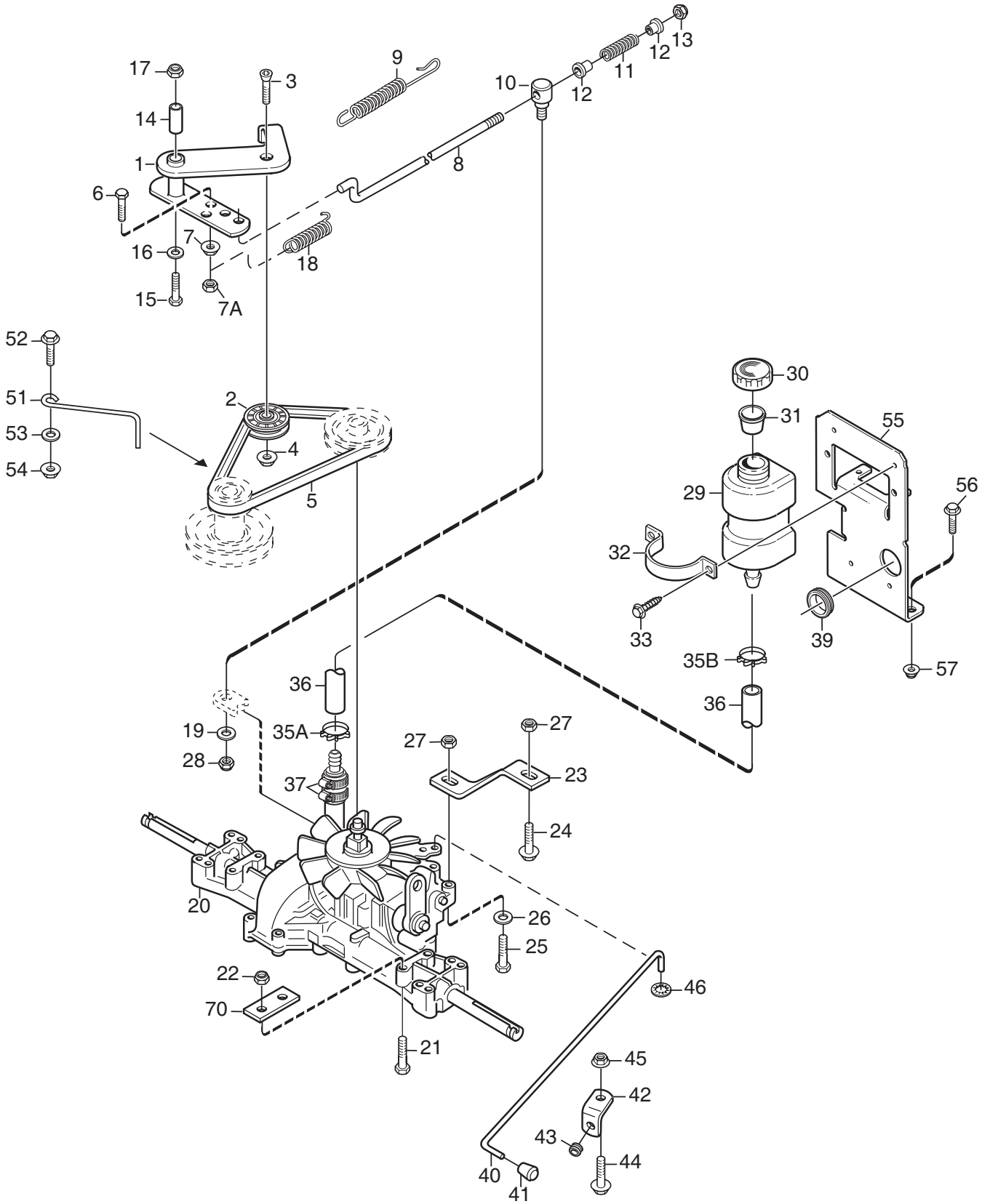
Utgåva Issue 2011- 11		Bildnr Picture No 2207C		PARK 2WD EXCELLENT MOTOR (Briggs & Stratton)		PARK 2WD EXCELLENT ENGINE (Briggs & Stratton)		Sida Page 94	
Pos. Fig.	Antal/Quantity				Art nr Part No	Benämning	Description	Sats Kit	Anmärkning Notes
	6313								
2	4				9955-3725-16 Skruv.....	Screw.....			
3	1				1134-6339-01 Grenrör.....	Exhaust pipe.....			
4	1				9578-0011-01 Klämman.....	Clamp.....			
5	1				1134-6024-01 Ljuddämpare.....	Muffler.....			
6	1				9959-0820-16 Skruv.....	Screw.....			
7	1				9739-0831-22 Mutter.....	Nut.....			
8	1				1134-5827-04 Oljeavtappning kpl.....	Oil drain assy.....			Inkl. pos 9 - 12
9	1				1134-5825-01 • Nippel.....	• Nipple.....			
10	1				9578-0023-04 • Slangklämma.....	• Hose clamp.....			
11	1				1134-3499-02 • Slangklämma.....	• Hose clamp.....			
12	1				1134-5826-01 • Plugg.....	• Plug.....			
13	1				1137-0007-01 Motorremskiva.....	Engine pulley.....			Ø = 85 mm
14	1				1137-0082-01 Motorremskiva.....	Engine pulley.....			Ø = 139 mm
15	1				9600-0251-01 Kil.....	Key.....			
16	1				1134-5017-01 Bricka.....	Washer.....			
17	1				9987-5332-16 Skruv.....	Screw.....			
18	1				1134-5938-01 Bränsletank.....	Fuel tank.....			
19	1				1134-5532-01 Tanklock.....	Fuel tank cap.....			
20	1				1134-3224-01 Bensinkran.....	Fuel shut-off valve.....			
21	1				1134-3225-01 Gummibussning.....	Grommet.....			
22	1,1				9505-0001-01 Bensinslang (meter).....	Fuel line (metre).....			Per meter
23	1				9578-0023-02 Slangklämma.....	Hose clamp.....			
24	1				9578-0023-02 Slangklämma.....	Hose clamp.....			
25	1				1134-5942-01 Tankbygel.....	Tank loop.....			
26	1				1134-5996-01 Tankbygel.....	Tank loop.....			
27	1				1134-4481-02 Vingmutter.....	Wing nut.....			
28	1				9747-0631-02 Låsmutter.....	Lock nut.....			
29	1				9579-0003-00 Buntband.....	Cable holder.....			
30	1				9852-8013-16 Skruv.....	Screw.....			
32	4				9939-0820-16 Skruv.....	Screw.....			
42	1				1134-0994-02 Rörklammer.....	Tube clamp.....			
50	1				1134-6234-01 Deflektor.....	Heat deflector.....			
51	2				9943-0516-16 Skruv.....	Screw.....			
52	1				1134-6251-01 Deflektor.....	Heat deflector.....			
53	4				9959-0612-16 Skruv.....	Screw.....			
54	4				9739-0631-22 Mutter.....	Nut.....			

X  
X

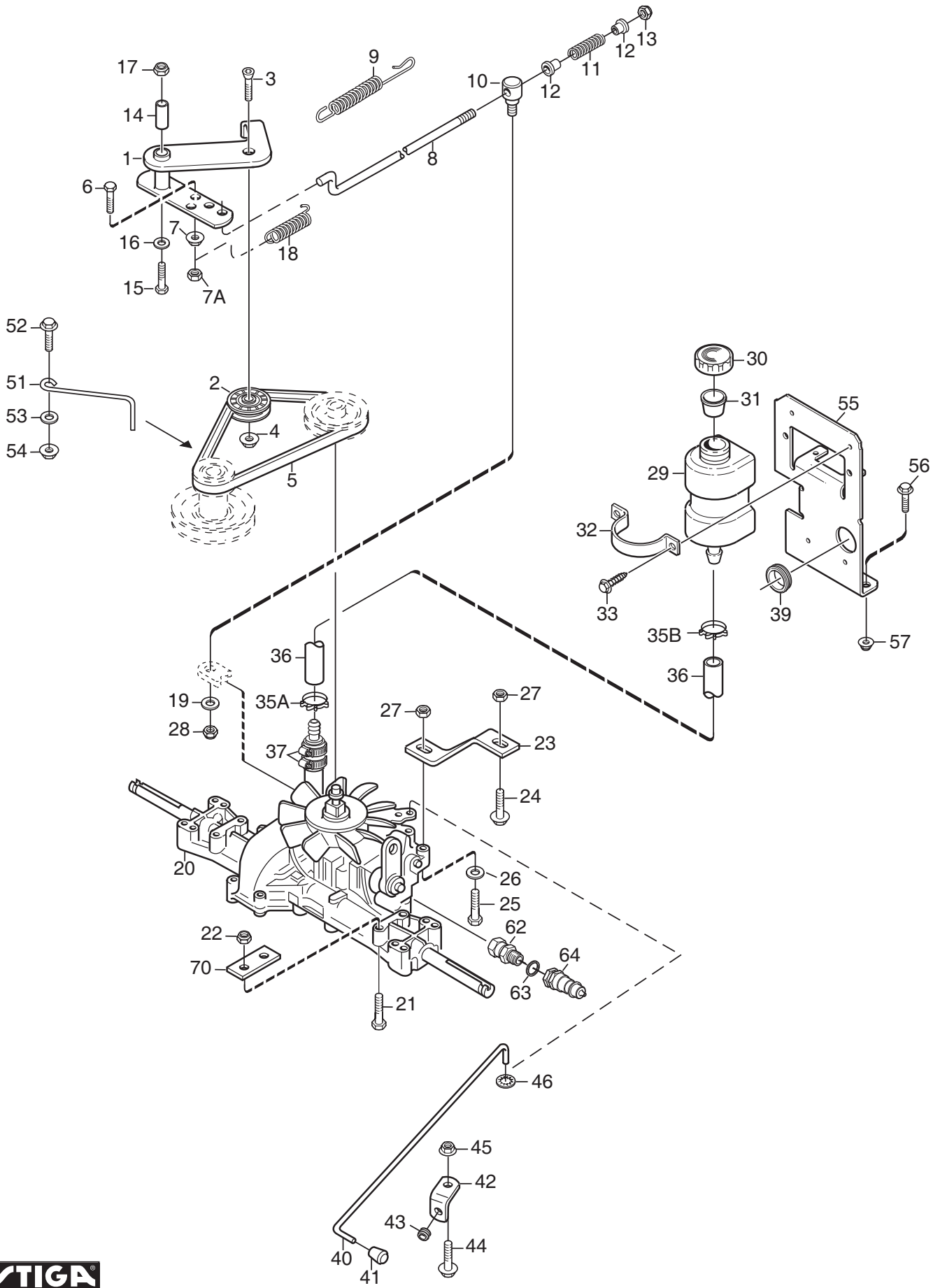


Utgåva Issue 2011- 11		Bildnr Picture No 2022		PARK 2WD RANGER- SILENT MOTOR (Honda)		PARK 2WD RANGER- SILENT ENGINE (Honda)		Sida Page 96	
Pos. Fig.	Antal/Quantity			Art nr Part No	Benämning	Description	Sats Kit	Anmärkning Notes	
	6379	6144 - 75							
2	4	4		9955-3725-16	Skruv.....	Screw.....			
3	1	1		1134-5947-01	Grenrör.....	Exhaust pipe.....			
4	1	1		9578-0011-01	Klämma.....	Clamp.....			
5	1	1		1134-6024-01	Ljuddämpare.....	Muffler.....			
6	1	1		9959-0820-16	Skruv.....	Screw.....			
7	1	1		9739-0831-22	Mutter.....	Nut.....			
8	1	1		1134-5827-01	Oljeavtappning kpl.....	Oil drain assy.....		Inkl. pos 9 - 12	
9	1	1		1134-5825-01	• Nippel.....	• Nipple.....			
10	1	1		9578-0023-04	• Slangklämma.....	• Hose clamp.....			
11	1	1		1134-3499-02	• Slangklämma.....	• Hose clamp.....			
12	1	1		1134-5826-01	• Plugg.....	• Plug.....			
13	1	1		1137-0007-01	Motorremskiva.....	Engine pulley.....		Ø = 85 mm	
14	1	1		1137-0082-01	Motorremskiva.....	Engine pulley.....		Ø = 139 mm	
15	1	1		9600-0251-01	Kil.....	Key.....			
16	1	1		1134-5017-01	Bricka.....	Washer.....			
17	1	1		9987-5332-16	Skruv.....	Screw.....			
18	1	1		1134-5938-01	Bränsletank.....	Fuel tank.....			
19	1	1		1134-5532-01	Tanklock.....	Fuel tank cap.....			
20	1	1		1134-3224-01	Bensinkran.....	Fuel shut-off valve.....			
21	1	1		1134-3225-01	Gummibussning.....	Grommet.....			
22	1,1	1,1		9505-0001-01	Bensinslang (meter).....	Fuel line (metre).....		Per meter	
23	1	1		9578-0023-02	Slangklämma.....	Hose clamp.....			
24	1	1		9578-0023-02	Slangklämma.....	Hose clamp.....			
25	1	1		1134-5942-01	Tankbygel.....	Tank loop.....			
26	1	1		1134-5996-01	Tankbygel.....	Tank loop.....			
27	1	1		1134-4481-02	Vingmutter.....	Wing nut.....			
28	1	1		9747-0631-02	Låsmutter.....	Lock nut.....			
29	1	1		9579-0003-00	Buntband.....	Cable holder.....			
30	1	1		9893-0616-16	Skruv.....	Screw.....			
50	1	1		1134-6234-01	Deflektor.....	Heat deflector.....			
51	2	2		9943-0516-16	Skruv.....	Screw.....			
52	1	1		1134-6251-01	Deflektor.....	Heat deflector.....			
53	4	4		9959-0612-16	Skruv.....	Screw.....			
54	4	4		9739-0631-22	Mutter.....	Nut.....			

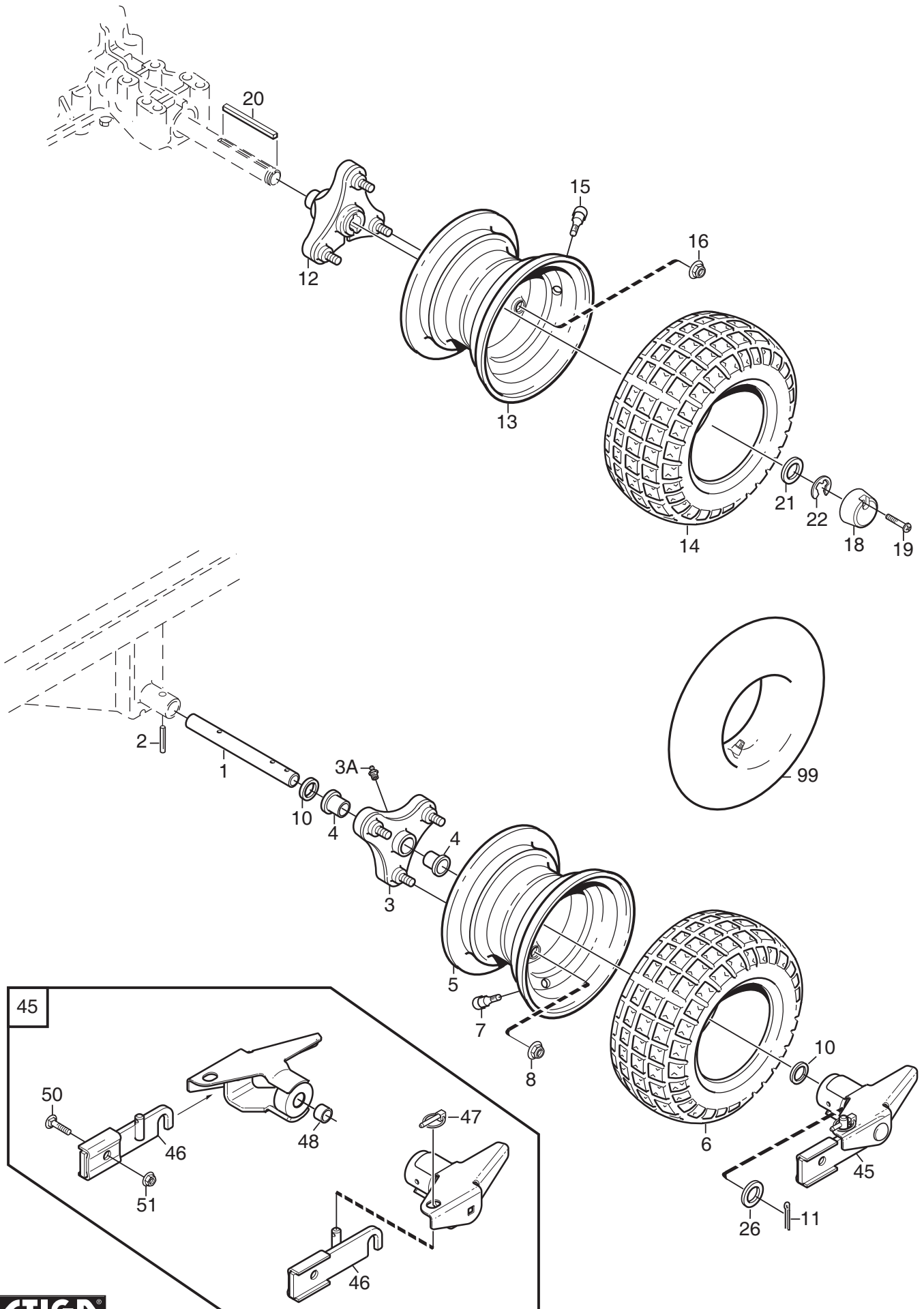
X  
X



Utgåva Issue		Bildnr Picture No		PARK 2WD PLUS- EXCELLENT- SILENT TRANSMISSION K46		PARK 2WD PLUS- EXCELLENT- SILENT TRANSMISSION K46		Sida Page	
2011- 11		1996C						98	
Pos. Fig.	Antal/Quantity				Art nr Part No	Benämning	Description	Sats Kit	Anmärkning Notes
	6311 6314 6144 -75	6313							
1	1	1			1134- 4000- 02	Spännarm .....	Tension arm .....		
2	1	1			1134- 3459- 01	Spännrulle .....	Tension roller .....		
3	1	1			9924- 1035- 16	Skruv .....	Screw .....		
4	1	1			9799- 1031- 02	Mutter .....	Nut .....		
5	1	1			1134- 9058- 01	Drivrem .....	V- belt .....		
6	1	1			9997- 0625- 16	Skruv .....	Screw .....		
7	1	1			9739- 0631- 22	Mutter .....	Nut .....		
7A	1	1			9747- 0631- 02	Låsmutter .....	Lock nut .....		
8	1	1			1134- 3377- 02	Reglagestång .....	Control rod .....		
9	1	1			4231- 0013- 00	Fjäder .....	Spring .....		
10	1	1			1134- 4171- 01	Ledtapp .....	Pivot pin .....		
11	1	1			1134- 4183- 01	Tryckfjäder .....	Compression spring .....		
12	2	2			1134- 3456- 01	Bussning .....	Bushing .....		
13	1	1			9747- 0631- 02	Låsmutter .....	Lock nut .....		
14	1	1			1134- 1565- 08	Distans .....	Spacer .....		
15	1	1			9930- 0870- 12	Skruv .....	Screw .....		
16	1	1			9699- 0056- 02	Planbricka .....	Flat washer .....		
17	1	1			9747- 0831- 02	Mutter .....	Lock nut .....		
18	1	1			1134- 6414- 01	Fjäder .....	Spring .....		
19	1	1			9699- 0060- 02	Planbricka .....	Flat washer .....		
20	1	1			1137- 0123- 01	Transaxel kpl .....	Transaxle assy .....		
21	4				9960- 0860- 12	Skruv .....	Screw .....		Kanzaki K46Cl L = 60 mm
21		4			9997- 0870- 16	Skruv .....	Screw .....		L = 70 mm
22	4	4			9747- 0831- 02	Mutter .....	Lock nut .....		
23	1	1			1134- 3913- 01	Reaktionsstag .....	Strut .....		
24	1	1			9959- 0825- 16	Skruv .....	Screw .....		
25	1	1			9997- 0845- 12	Skruv .....	Screw .....		
26	1	1			9699- 0090- 02	Planbricka .....	Flat washer .....		
27	2	2			9747- 0831- 02	Mutter .....	Lock nut .....		
28	1	1			9747- 0631- 02	Låsmutter .....	Lock nut .....		
29	1	1			1134- 2765- 02	Oljetank .....	Oil tank .....		
30	1	1			1134- 2777- 02	Tanklock .....	Filler cap .....		
31	1	1			1134- 3734- 01	Luftningsplugg .....	Vent plug .....		
32	1	1			1134- 2778- 01	Fästband .....	Retainer strap .....		
33	2	2			9852- 8013- 16	Skruv .....	Screw .....		
35A	1	1			9578- 0023- 04	Slangklämma .....	Hose clamp .....		15*8
35B	1	1			9578- 0035- 01	Slangklämma .....	Hose clamp .....		14,6- 17,8
36	1	1			1134- 2779- 09	Slang .....	Tube .....		L = 290 mm
39	1	1			1134- 3203- 01	Kabelgenomföring .....	Grommet .....		
40	1	1			1134- 4015- 01	Dragstång .....	Pull rod .....		
41	1	1			1134- 4014- 01	Plastknopp .....	Plastic button .....		
42	1	1			1134- 4713- 01	Vinkel .....	Bracket .....		
43	1	1			1134- 2790- 01	Gummihylsa .....	Rubber grommet .....		
44	1	1			9959- 0820- 16	Skruv .....	Screw .....		
45	1	1			9739- 0831- 22	Mutter .....	Nut .....		
46	1	1			9675- 0009- 02	Starlock .....	Starlock .....		
51	1	1			1134- 3289- 02	Remstyrning .....	Belt guide .....		
52	1	1			9959- 0820- 16	Skruv .....	Screw .....		
53	1	1			9699- 0056- 02	Planbricka .....	Flat washer .....		
54	1	1			9739- 0831- 22	Mutter .....	Nut .....		
55	1	1			1134- 5941- 01	Tankkonsol .....	Tank bracket .....		
56	2	2			9959- 0820- 16	Skruv .....	Screw .....		
57	2	2			9739- 0831- 22	Mutter .....	Nut .....		
70		2			1134- 3376- 01	Mellanlägg .....	Spacer plate .....		

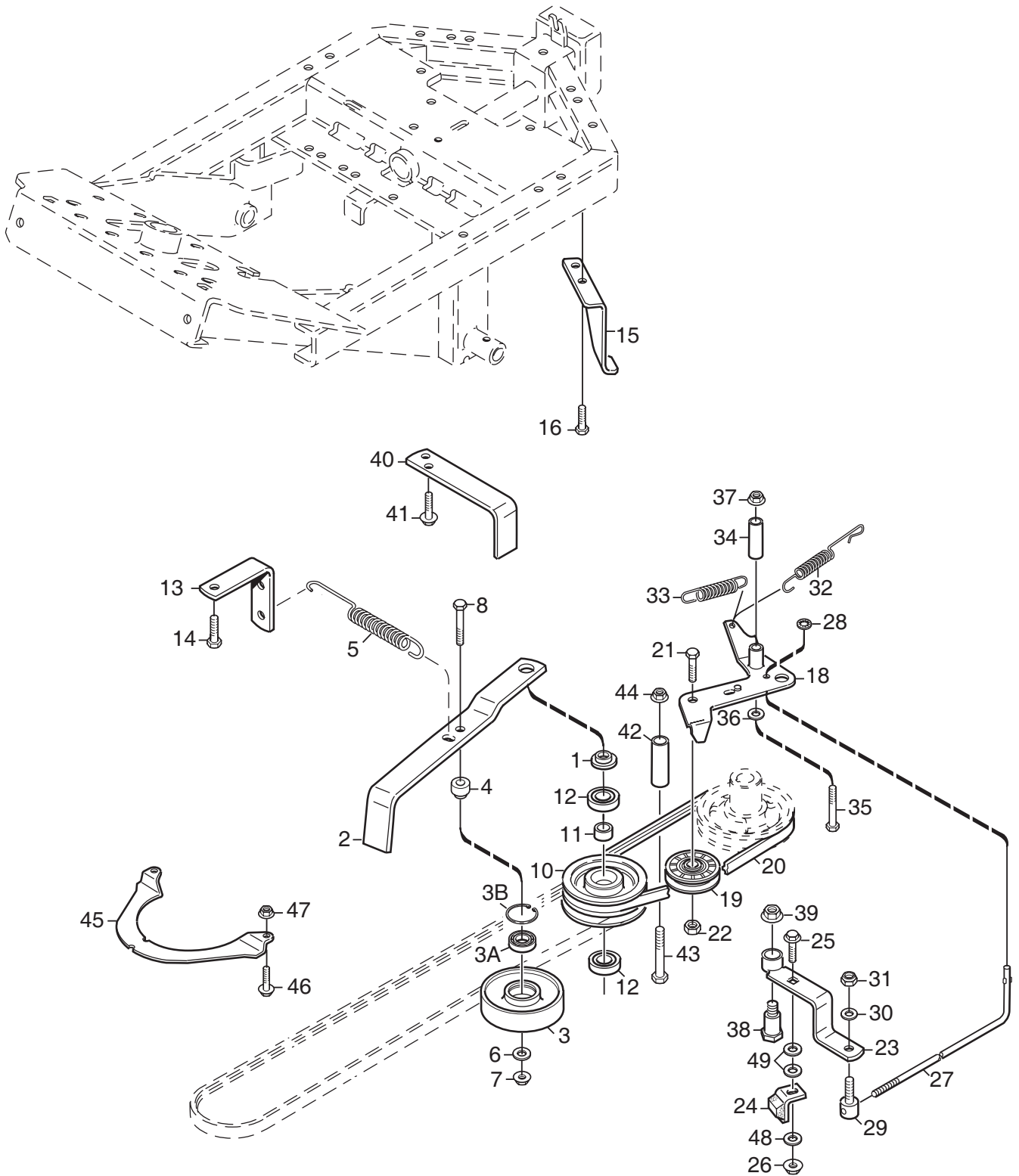


Utgåva Issue 2011- 11		Bildnr Picture No 2410A		PARK 2WD RANGER TRANSMISSION K574		PARK 2WD RANGER TRANSMISSION K574		Sida Page 100	
Pos. Fig.	Antal/Quantity				Art nr Part No	Benämning	Description	Sats Kit	Anmärkning Notes
	6379								
1	1				1134- 4000- 02	Spännarm .....	Tension arm .....		
2	1				1134- 3459- 01	Spännrulle .....	Tension roller .....		
3	1				9924- 1035- 16	Skruv .....	Screw .....		
4	1				9799- 1031- 02	Mutter .....	Nut .....		
5	1				1134- 9058- 01	Drivrem .....	V- belt.....		
6	1				9997- 0625- 16	Skruv .....	Screw .....		
7	1				9739- 0631- 22	Mutter .....	Nut .....		
7A	1				9747- 0631- 02	Låsmutter .....	Lock nut .....		
8	1				1134- 3377- 02	Reglagestång .....	Control rod.....		
9	1				4231- 0013- 00	Fjäder.....	Spring .....		
10	1				1134- 4171- 01	Ledtapp .....	Pivot pin.....		
11	1				1134- 4183- 01	Tryckfjäder.....	Compression spring.....		
12	2				1134- 3456- 01	Bussning .....	Bushing.....		
13	1				9747- 0631- 02	Låsmutter .....	Lock nut .....		
14	1				1134- 1565- 08	Distans .....	Spacer.....		
15	1				9997- 0870- 16	Skruv .....	Screw .....		
16	1				9699- 0056- 02	Planbricka.....	Flat washer.....		
17	1				9747- 0831- 02	Mutter.....	Lock nut.....		
18	1				1134- 6414- 01	Fjäder.....	Spring .....		
19	1				9699- 0060- 02	Planbricka.....	Flat washer.....		
X 20	1				1137- 0126- 01	Transaxel kpl.....	Transaxle assy.....		
21	4				9960- 0860- 12	Skruv .....	Screw .....		Kanzaki K57V L = 60 mm
22	4				9747- 0831- 02	Mutter.....	Lock nut.....		
23	1				1134- 3913- 01	Reaktionsstag.....	Strut.....		
24	1				9959- 0825- 16	Skruv .....	Screw .....		
25	1				9997- 0845- 12	Skruv .....	Screw .....		
26	1				9699- 0090- 02	Planbricka.....	Flat washer.....		
27	2				9747- 0831- 02	Mutter.....	Lock nut.....		
28	1				9747- 0631- 02	Låsmutter .....	Lock nut.....		
29	1				1134- 2765- 02	Oljetank .....	Oil tank .....		
30	1				1134- 2777- 02	Tanklock .....	Filler cap .....		
31	1				1134- 3734- 01	Luftningsplugg .....	Vent plug.....		
32	1				1134- 2778- 01	Fästband .....	Retainer strap .....		
33	2				9852- 8013- 16	Skruv .....	Screw .....		
35A	1				9578- 0023- 04	Slangklämma.....	Hose clamp .....		
X 35B	1				9578- 0035- 01	Slangklämma.....	Hose clamp .....		15*8 14,6- 17,8 L = 290 mm
36	1				1134- 2779- 09	Slang .....	Tube .....		
39	1				1134- 3203- 01	Kabelgenomföring .....	Grommet.....		
40	1				1134- 4015- 01	Dragstång .....	Pull rod .....		
41	1				1134- 4014- 01	Plastknopp.....	Plastic button.....		
42	1				1134- 4713- 01	Vinkel.....	Bracket.....		
43	1				1134- 2790- 01	Gummihylsa .....	Rubber grommet.....		
44	1				9959- 0820- 16	Skruv .....	Screw .....		
45	1				9739- 0831- 22	Mutter.....	Nut .....		
46	1				9675- 0009- 02	Starlock .....	Starlock .....		
51	1				1134- 3289- 02	Remstyrning .....	Belt guide.....		
52	1				9959- 0820- 16	Skruv .....	Screw .....		
53	1				9699- 0056- 02	Planbricka.....	Flat washer.....		
54	1				9739- 0831- 22	Mutter.....	Nut .....		
55	1				1134- 5941- 01	Tankkonsol .....	Tank bracket.....		
56	2				9959- 0820- 16	Skruv .....	Screw .....		
57	2				9739- 0831- 22	Mutter.....	Nut .....		
62	1				1134- 7245- 01	Adapter- rak .....	Coupling- straight.....		
63	1				1134- 4948- 01	Tredobricka.....	Seal washer.....		
64	1				1134- 6042- 01	Snabbkoppling- hane.....	Quick coupling- male.....		

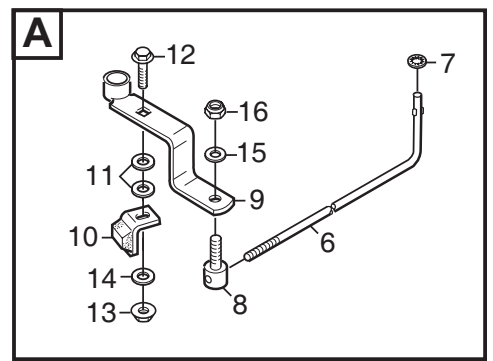
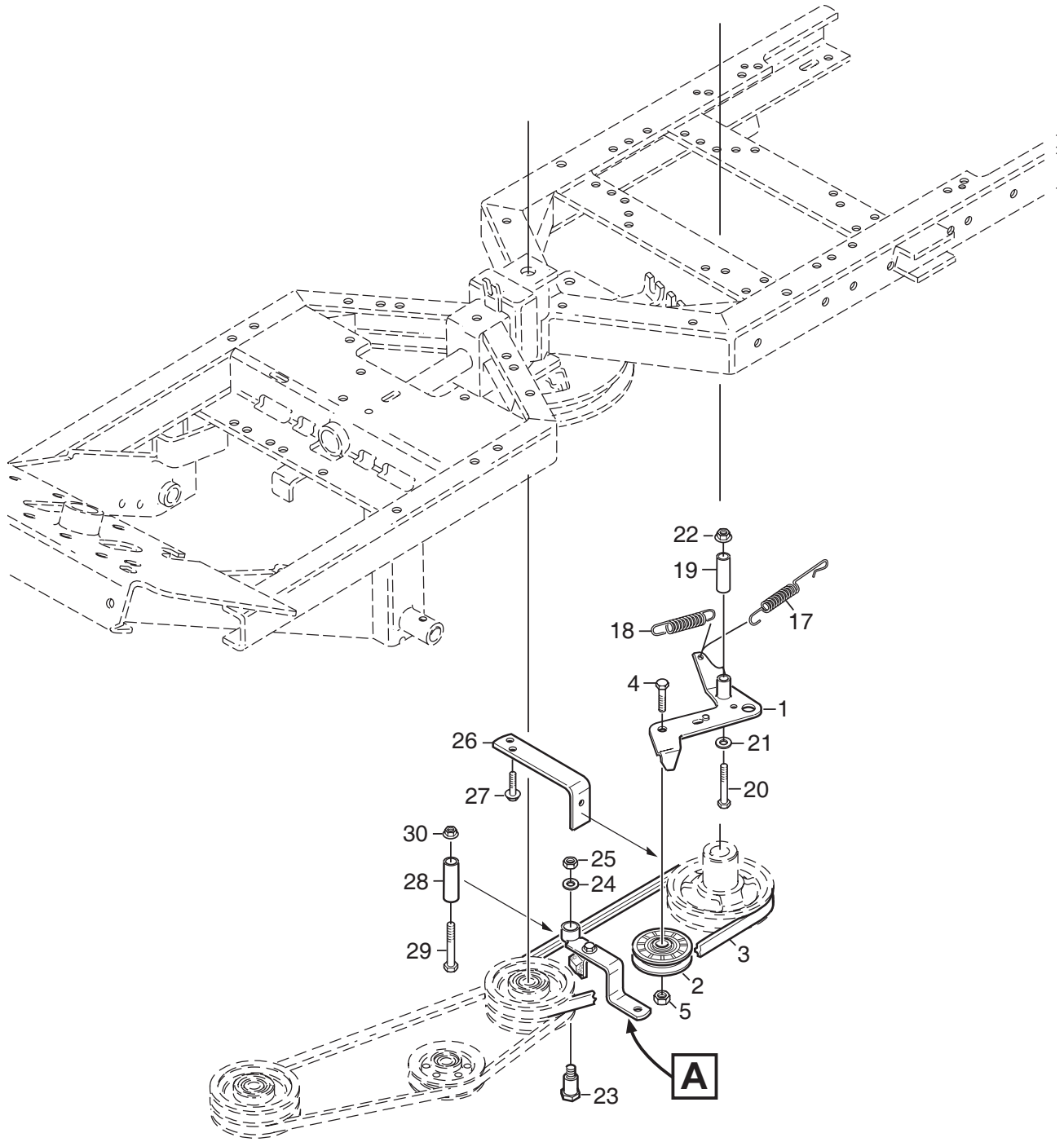




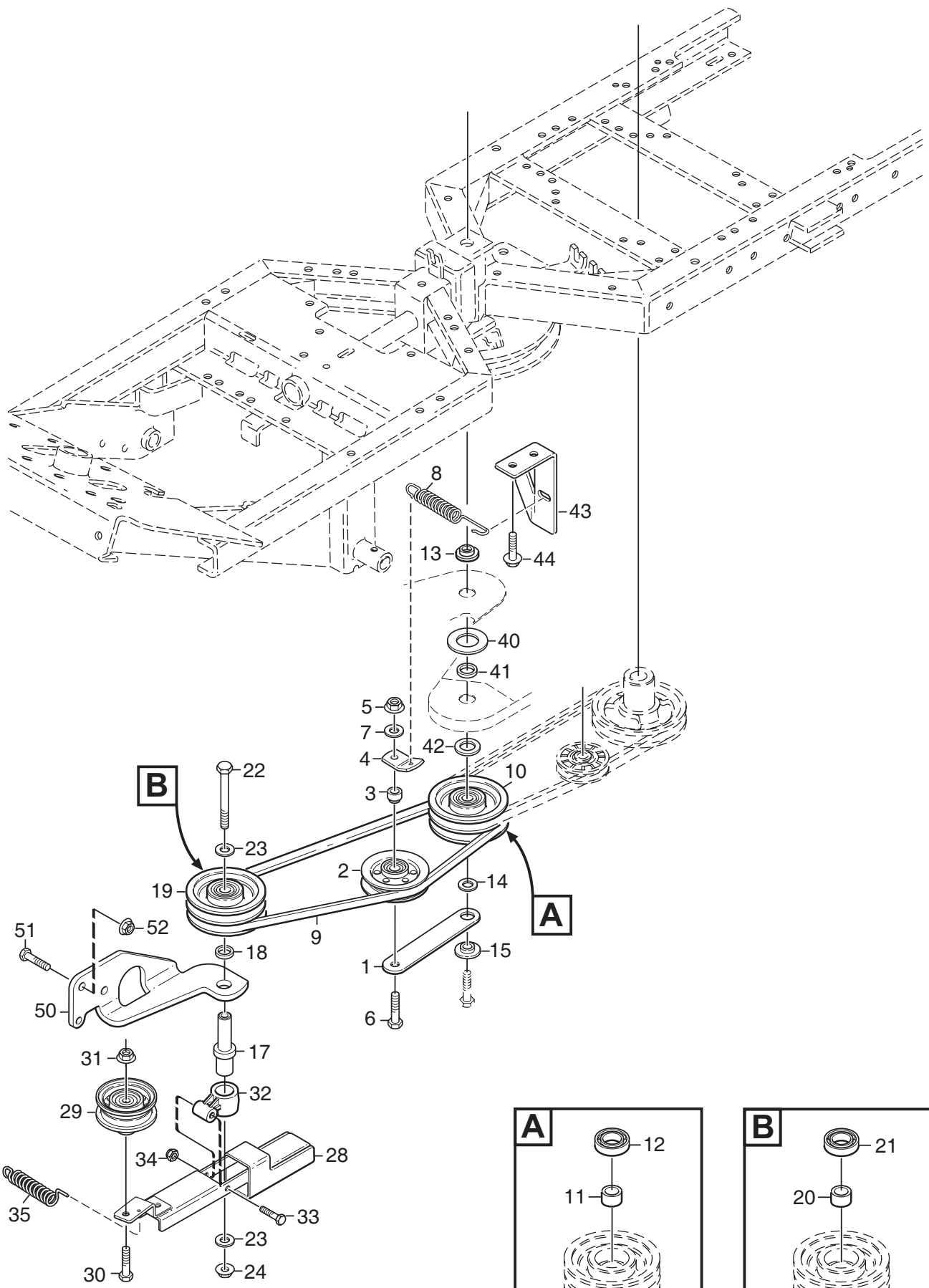
Utgåva Issue		Bildnr Picture No		PARK 2WD HJUL 16"		PARK 2WD WHEELS 16"		Sida Page	
2011- 11		1346E						102	
Pos. Fig.	Antal/Quantity				Art nr Part No	Benämning	Description	Sats Kit	Anmärkning Notes
	6311 6314 6313 6379	6144 - 75							
X 1	2	2			1134- 0075- 00	Framaxeltapp .....	Front axle .....		
2	2	2			9595- 0258- 00	Spännstift .....	Locating pin .....		
3	2	2			1134- 4844- 05	Hjulnav kpl .....	Wheel hub Assy .....		
3A	1	1			9501- 0500- 00	• Smörjnippel .....	• Grease joint .....		
4	1	1			1134- 9026- 01	• Lagerbussning .....	• Bearing bush kit .....		Sats 4 st/kit of 4
5	2	2			1134- 4558- 01	Fälg .....	Rim .....		
6	2	2			9545- 0116- 00	Däck .....	Tyre .....		16 x 7.50 - 8
7	2	2			9545- 0500- 00	Ventil .....	Valve .....		
8	6	6			9731- 1031- 22	Mutter .....	Nut .....		
10	6	6			1134- 0341- 01	Bricka .....	Washer .....		20,5x36x1,5 mm
11	2	2			9599- 0080- 02	• Saxsprint .....	• Cotter pin .....		
12	2	2			1134- 4844- 02	Hjulnav .....	Wheel hub .....		
13	2	2			1134- 4558- 01	Fälg .....	Rim .....		
14	2	2			9545- 0116- 00	Däck .....	Tyre .....		16 x 7.50 - 8
15	2	2			9545- 0500- 00	Ventil .....	Valve .....		
16	6	6			9731- 1031- 22	Mutter .....	Nut .....		
18	2	2			1134- 4796- 01	Navkapsel .....	Hub cap .....		
19	2	2			9947- 0540- 19	Skruv .....	Screw .....		
20	2	2			1134- 2471- 01	Kil .....	Key .....		
21	2	2			1134- 0341- 01	Bricka .....	Washer .....		20,5x36x1,5 mm
22	2	2			9653- 0001- 04	Spårryttare .....	Lock ring .....		
26	2	2			9699- 0042- 02	• Planbricka .....	• Flat washer .....		20x36x3,0 mm
45	1	1			13- 0992- 61	Snabbfäste kpl .....	Quick connections .....		Inkl. pos 11,26,46- 51
46	1	1			1134- 7465- 01	• Fästen kpl, vä+hö .....	• Attachment kit, LH+RH .....		Inkl. pos 50- 51
47	2	2			1137- 0077- 01	• Låssprint .....	• Locking pin .....		
48	2	2			9548- 0026- 01	• Glidlager .....	• Bearing .....		
50	2	2			9898- 1035- 16	•• Skruv .....	•• Screw .....		
51	2	2			9739- 1031- 22	•• Mutter .....	•• Nut .....		
99					9545- 0203- 00	Innerslang .....	Inner tube .....		Reservdel/spare part



Utgåva Issue		Bildnr Picture No		PARK 2WD KRAFTUTTAG		PARK 2WD POWER TAKE- OFF		Sida Page	
2011- 11		1030H						104	
Pos. Fig.	Antal/Quantity			Art nr Part No	Benämning	Description	Sats Kit	Anmärkning Notes	
	6311 6314 6313 6379	6144 - 75							
X 1	1	1		1134-5548-01	Distans .....	Spacer .....		Inkl. pos 3A- 3B	
2	1	1		1134-5109-01	Spännhjularm .....	Tension wheel arm .....			
3	1	1		1137-0128-01	Spännrulle kpl.....	Tension roller assy .....			
3A	1	1		9549-0019-00	• Kullager .....	• Ball bearing .....			
3B	1	1		9651-0040-04	• Låsring .....	• Retaining ring.....			
4	1	1		1134-1888-04	Distans .....	Spacer .....			
5	1	1		1134-5111-01	Fjäder.....	Spring .....			
6	1	1		9699-0056-02	Planbricka.....	Flat washer.....			
7	1	1		9739-0831-22	Mutter.....	Nut .....			
8	1	1		9997-0855-12	Skruv.....	Screw.....			
10	1	1		1137-0004-01	Centrumremskiva kpl.....	Centre pulley assy .....			
11	1	1		1134-0051-09	• Distans .....	• Spacer.....			
12	2	2		9549-0019-00	• Kullager .....	• Ball bearing .....			
13	1	1		1134-5112-01	Fjäderfäste.....	Spring attachment.....			
14	2	2		9945-0816-16	Skruv.....	Screw.....			
15	1	1		1134-5110-01	Hake .....	Hook .....			
16	2	2		9893-0616-16	Skruv.....	Screw.....			
18	1	1		1134-2018-02	Spännarm.....	Tension arm .....			
19	1	1		1134-9027-02	Spännrulle- grå .....	Tension roller- grey .....			
20	1	1		1134-9071-01	Drivrem .....	V- belt.....	= 9585-0129-01		
21	1	1		9997-1030-16	Skruv.....	Screw.....			
22	1	1		9799-1031-02	Mutter.....	Nut .....			
23	1	1		1134-4111-01	Bromsarm .....	Brake arm .....			
24	1	1		1134-4164-03	Bromsklots .....	Brake pad .....			
25	1	1		9897-0825-16	Skruv.....	Screw.....			
26	1	1		9747-0831-02	Mutter.....	Lock nut .....			
27	1	1		1134-4162-01	Bromsstång .....	Brake rod .....			
28	1	1		9675-0008-02	Starlock .....	Locking washer .....			
29	1	1		1134-4170-01	Nippel .....	Nipple.....			
30	1	1		9699-0025-02	Planbricka.....	Washer.....			
31	1	1		9747-0631-02	Låsmutter .....	Lock nut .....			
32	1	1		4231-0013-00	Fjäder.....	Spring .....			
33	1	1		1134-4231-01	Dragfjäder.....	Spring .....			
34	1	1		1134-1565-10	Distans .....	Spacer .....			
35	1	1		9997-0860-12	Skruv.....	Screw.....			
36	1	1		9699-0056-02	Planbricka.....	Flat washer.....			
37	1	1		9739-0831-22	Mutter.....	Nut .....			
38	1	1		1134-4163-01	Ansätsskruv.....	Shoulder bolt .....			
39	1	1		9731-1031-22	Mutter.....	Nut .....			
40	1	1		1134-3958-01	Remstyrning.....	Belt guide.....			
41	2	2		9893-0616-16	Skruv.....	Screw.....			
42	1	1		1134-0041-03	Hylsa .....	Collar .....			
43	1	1		9997-1070-12	Skruv.....	Screw.....			
44	1	1		9739-1031-22	Mutter.....	Nut .....			
45	1	1		1134-3654-01	Fingerskydd .....	Finger guard.....			
46	2	2		9959-0612-16	Skruv.....	Screw.....			
47	2	2		9739-0631-22	Mutter.....	Nut .....			
48	1	1		9699-0090-02	Planbricka.....	Flat washer.....			
49	2	2		9699-0035-02	Planbricka.....	Flat washer.....			



Utgåva Issue 2011-11		Bildnr Picture No 2817		PARK 2WD KRAFTUTTAG 1 (Frankrike)		PARK 2WD POWER TAKE-OFF 1 (France)		Sida Page 106	
Pos. Fig.	Antal/Quantity				Art nr Part No	Benämning	Description	Sats Kit	Anmärkning Notes
	6311 6379 -31								
	1	1			1134-2018-02	Spännarm .....	Tension arm .....		
	2	1			1134-9027-02	Spännrulle- grå .....	Tension roller- grey .....		
	3	1			1134-9071-01	Drivrem .....	V- belt .....		= 9585-0129-01
	4	1			9997-1030-16	Skruv .....	Screw .....		
	5	1			9799-1031-02	Mutter .....	Nut .....		
X	6	1			1134-4162-02	Bromsstång .....	Brake rod .....		
	7	1			9675-0008-02	Starlock .....	Locking washer .....		
	8	1			1134-4170-01	Nippel .....	Nipple .....		
	9	1			1134-4111-01	Bromsarm .....	Brake arm .....		
X	10	1			1137-0389-01	Bromsklots .....	Brake pad .....		
	11	2			9699-0035-02	Planbricka .....	Flat washer .....		
	12	1			9897-0825-16	Skruv .....	Screw .....		
	13	1			9747-0831-02	Mutter .....	Lock nut .....		
	14	1			9699-0090-02	Planbricka .....	Flat washer .....		
	15	1			9699-0025-02	Planbricka .....	Washer .....		
	16	1			9747-0631-02	Låsmutter .....	Lock nut .....		
	17	1			4231-0013-00	Fjäder .....	Spring .....		
	18	1			1134-4231-01	Dragfjäder .....	Spring .....		
	19	1			1134-1565-10	Distans .....	Spacer .....		
	20	1			9997-0860-12	Skruv .....	Screw .....		
	21	1			9699-0056-02	Planbricka .....	Flat washer .....		
	22	1			9739-0831-22	Mutter .....	Nut .....		
	23	1			1134-4163-01	Ansatsskruv .....	Shoulder bolt .....		
	24	1			9699-0035-02	Planbricka .....	Flat washer .....		
X	25	1			9731-1031-22	Mutter .....	Nut .....		
	26	1			1134-3958-02	Remstyrning .....	Belt guide .....		
	27	2			9893-0616-16	Skruv .....	Screw .....		
	28	1			1134-0041-03	Hylsa .....	Collar .....		
	29	1			9997-1070-12	Skruv .....	Screw .....		
	30	1			9739-1031-22	Mutter .....	Nut .....		



Utgåva Issue 2011-11		Bildnr Picture No 2818		PARK 2WD KRAFTUTTAG 2 (Frankrike)		PARK 2WD POWER TAKE-OFF 2 (France)		Sida Page 108	
Pos. Fig.	Antal/Quantity				Art nr Part No	Benämning	Description	Sats Kit	Anmärkning Notes
	6311 6379 -31								
	1				1134-1730-01	Spännhjulssarm .....	Tension wheel arm .....		
	2				1134-3663-01	Spännrulle .....	Tension wheel .....		
	3				1134-1888-05	Distans .....	Spacer .....		
	4				1134-1893-01	Fjäderfäste .....	Spring attachment .....		
	5				9739-1031-22	Mutter .....	Nut .....		
	6				9997-1060-12	Skruv .....	Screw .....		
	7				9699-0035-02	Planbricka .....	Flat washer .....		
	8				1134-5713-01	Dragfjäder .....	Spring .....		
	9				1134-9098-01	Drivrem .....	V-belt .....		
	10				1137-0004-01	Centrumremskiva kpl. ....	Centre pulley assy .....		= 9585-0148-01 Inkl. pos 11-12
	11				1134-0051-09	• Distans .....	• Spacer .....		
	12	2			9549-0019-00	• Kullager .....	• Ball bearing .....		
	13	1			1134-5548-01	Distans .....	Spacer .....		
	14	1			9699-0035-02	Planbricka .....	Flat washer .....		
	15	1			1134-0222-00	Bricka .....	Washer .....		
	17	1			1134-5663-01	Axel .....	Shaft .....		
	18	1			1134-0052-00	Lagerdistans .....	Bearing spacer .....		
	19	1			1137-0004-01	Centrumremskiva kpl. ....	Centre pulley assy .....		Inkl. pos 20-21
	20	1			1134-0051-09	• Distans .....	• Spacer .....		
	21	2			9549-0019-00	• Kullager .....	• Ball bearing .....		
	22	1			9997-1011-06	Skruv .....	Screw .....		
	23	2			9699-0030-02	Planbricka .....	Flat washer .....		
	24	1			9739-1031-22	Mutter .....	Nut .....		
X	28	1			1137-0386-01	Spännarm .....	Tension arm .....		
	29	1			1134-5823-01	Spännrulle .....	Tension roller .....		
	30	1			9997-1050-16	Skruv .....	Screw .....		
	31	1			9739-1031-22	Mutter .....	Nut .....		
	32	1			1134-6314-01	Spännarmsfäste .....	Attachment .....		
	33	1			9997-0645-12	Skruv .....	Screw .....		
	34	1			9747-0631-02	Låsmutter .....	Lock nut .....		
	35	1			1134-5824-01	Fjäder .....	Spring .....		
X	40	1			1137-0353-01	Bricka (plast) .....	Washer (plastic) .....		26x50x2 17.1x25x5 17x30x3
	41	1			1134-0052-00	Lagerdistans .....	Bearing spacer .....		
	42	1			9699-0104-02	Bricka .....	Washer .....		
X	43	1			1137-0419-01	Fjäderfäste .....	Bracket .....		
	44	2			9945-0816-16	Skruv .....	Screw .....		
X	50	1			1137-0395-01	Fäste .....	Bracket .....		
	51	2			9997-1020-16	Skruv .....	Screw .....		
	52	2			9739-1031-22	Mutter .....	Nut .....		