



www.stiga.com

Illustrated Parts List

for model:

Park Compact 4 WD

- Use GLOBAL GARDEN PRODUCT genuine spare parts specified in the parts list for repair and/or replacement.
- Then contents described in the parts list may change due to improvement.
- The drawings of the spare part are only indicative and might not represent the part in question exactly.
- The indications "right" - "left" - "front" - "rear" refer to the position of the operator when using the machine.
- When placing orders of parts for repair and/or replacement, make sure that the illustrated parts list is the one applying to the machine's year of manufacture, as shown on the identification plate attached to the machine.

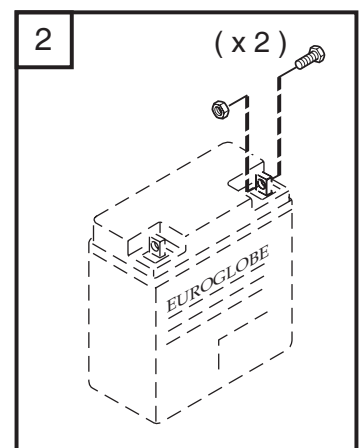
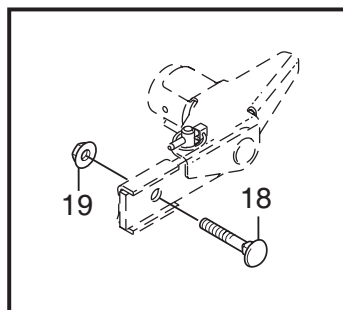
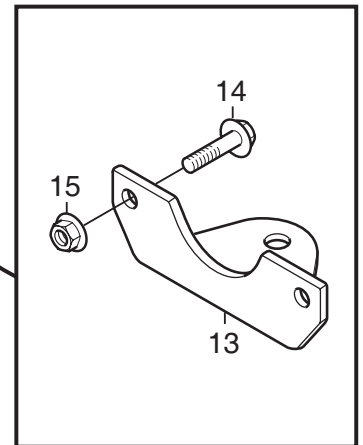
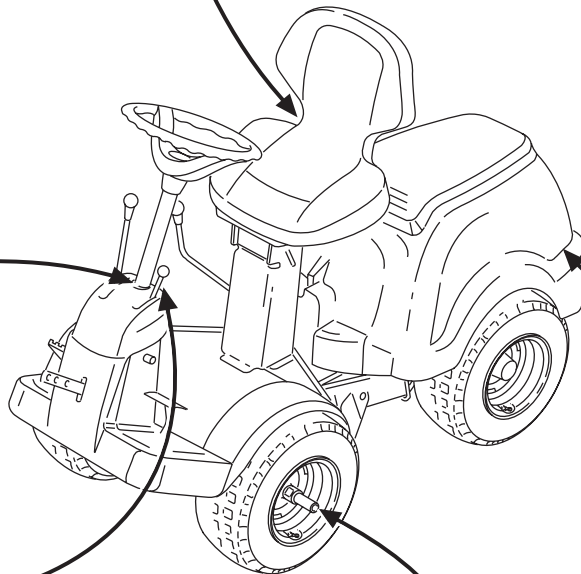
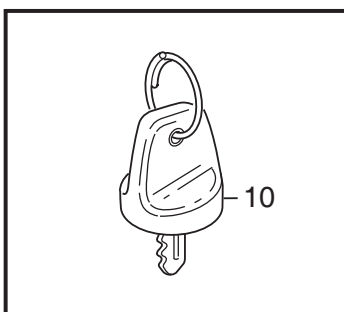
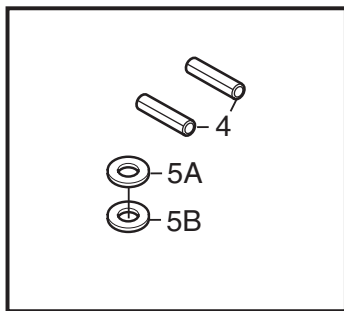
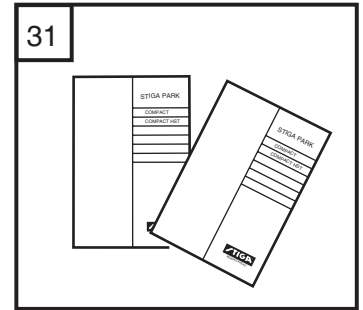
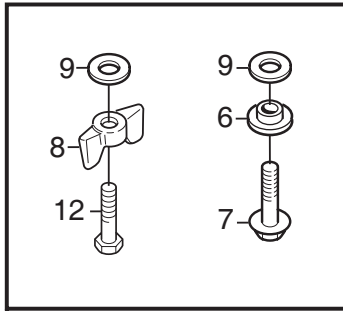
© Copyright 2014 Global Garden Products

All content is subject to copyright by Global Garden Products and may not be reproduced in whole or in part by any means, electronic or otherwise, without prior written approval.

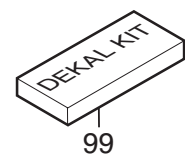
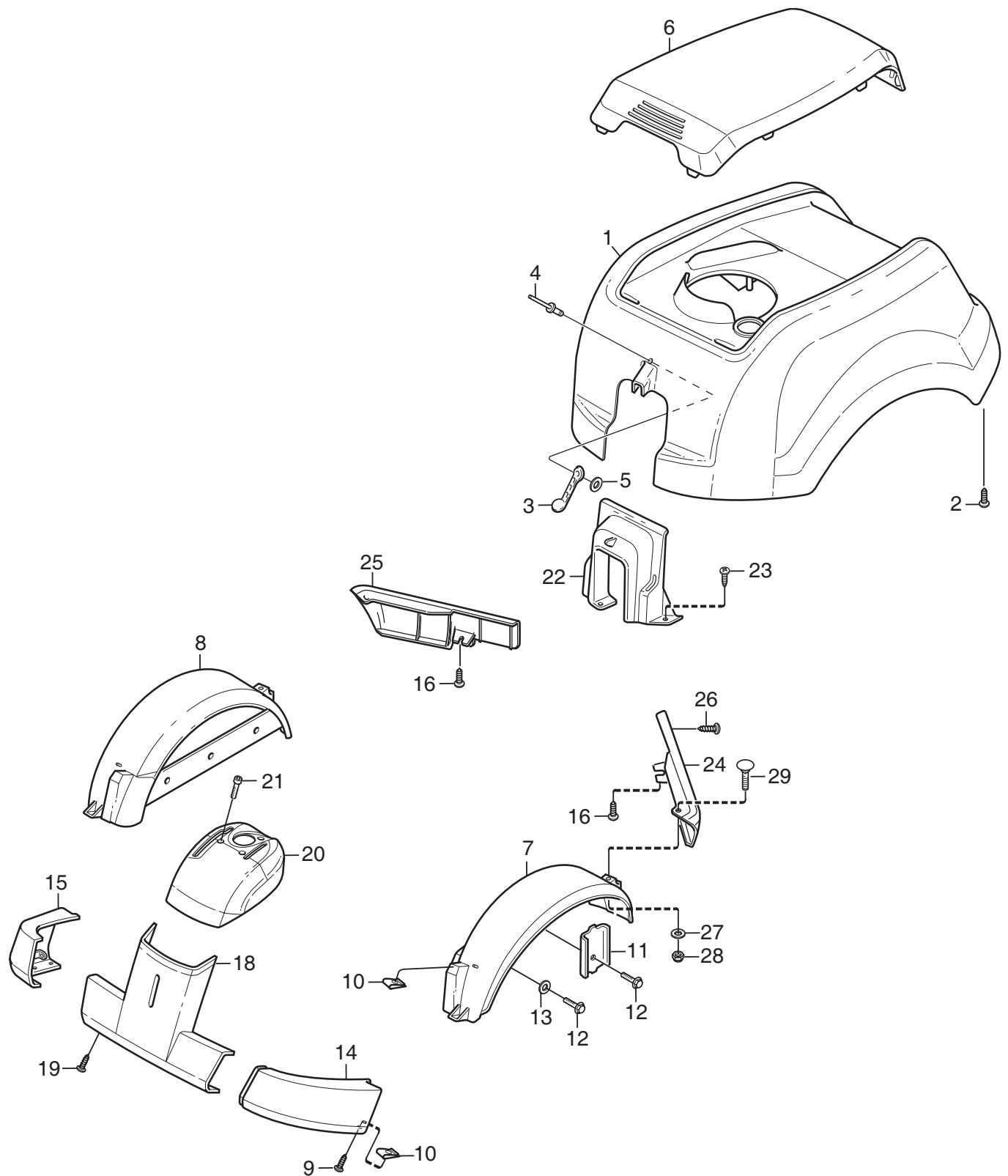
THIS INFORMATION IS NOT INTENDED FOR SALE OR RESALE, AND THIS NOTICE MUST REMAIN ON ALL COPIES.

www.ggp-group.com

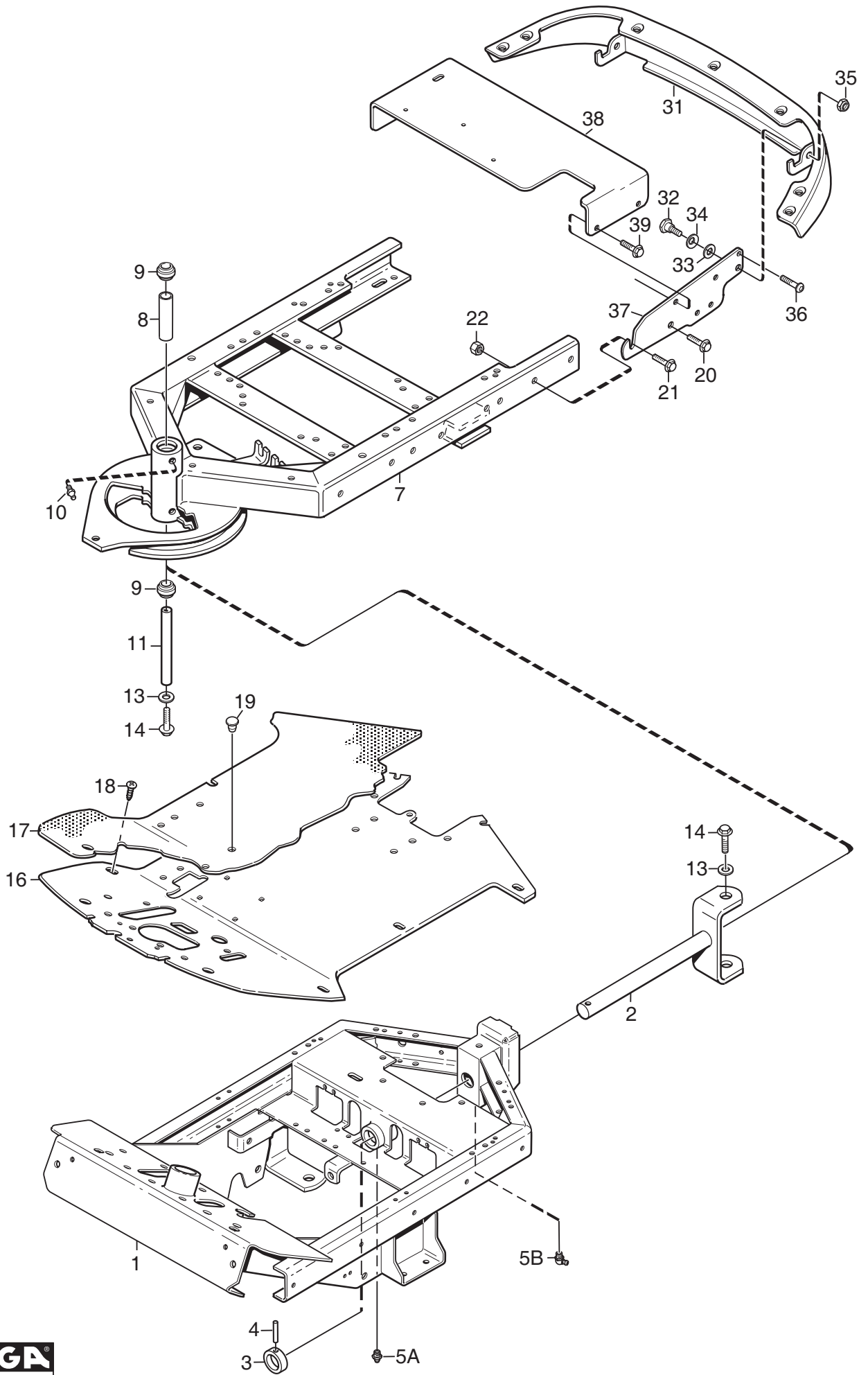




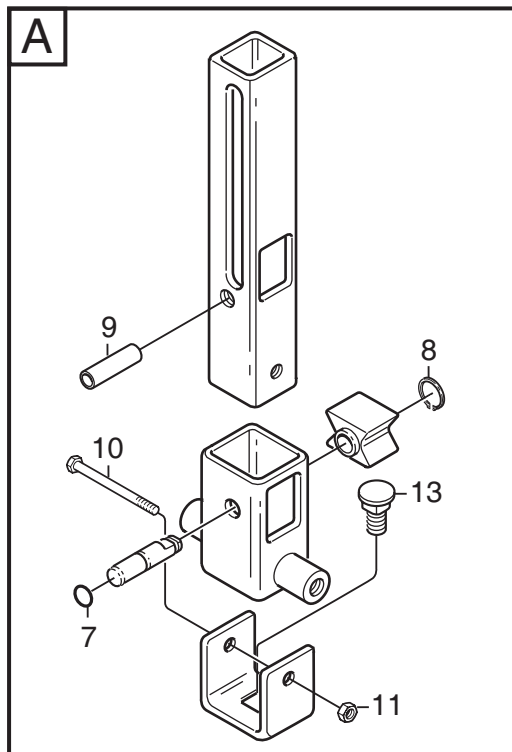
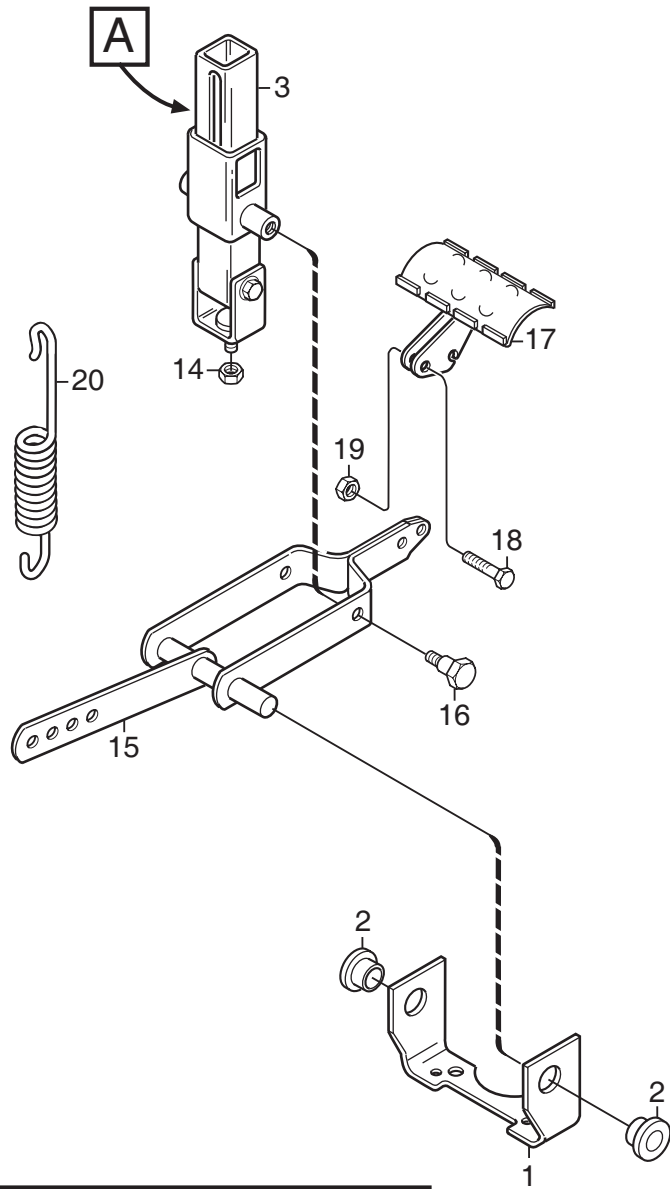
Utgåva Issue		Bildnr Picture No		PARK COMPACT 4WD MONTERINGSDETALJER		PARK COMPACT 4WD ASSEMBLY PARTS		Sida Page	
2011- 11		1638D						34	
Pos. Fig.	Antal/Quantity				Art nr Part No	Benämning	Description	Sats Kit	Anmärkning Notes
	6104 -21								
2	1			1134-6113-01	Batteriskruvar	Battery screws			
4	2			9595-0262-00	Spännstift	Locating pin			
5A	1			9699-0103-02	Shims	Flat washer			0.5 mm
5B	1			9699-0114-02	Shims	Flat washer			1.0 mm
6	2			1134-4185-01	Ansatsbricka	Flange washer			
7	2			9959-0820-16	Skruv	Screw			
8	2			1134-4481-01	Vingmutter	Wing nut			
9	4			9699-0056-02	Planbricka	Flat washer			
10	2			1134-4734-01	Tändningsnyckel	Ignition key			
12	2			9997-0820-16	Skruv	Screw			
13	1			1134-5512-01	Dragplåt	Towing plate			
14	2			9959-0820-16	Skruv	Screw			
15	2			9739-0831-22	Mutter	Nut			
18	2			9898-1035-16	Skruv	Screw			
19	2			9739-1031-22	Mutter	Nut			
X	31	1		8211-0001-10	Bruksanvisning	Owner's manual			
X	31	1		8211-0601-10	Monteringsanvisning	Assy instructions			
X	31	1		8211-0701-10	Säkerhetsföreskrifter	Safety regulations			
X	31	1		8211-0901-10	Servicebok	Service book			
X	31	1		8211-0960-10	Garantikort	Warranty card			



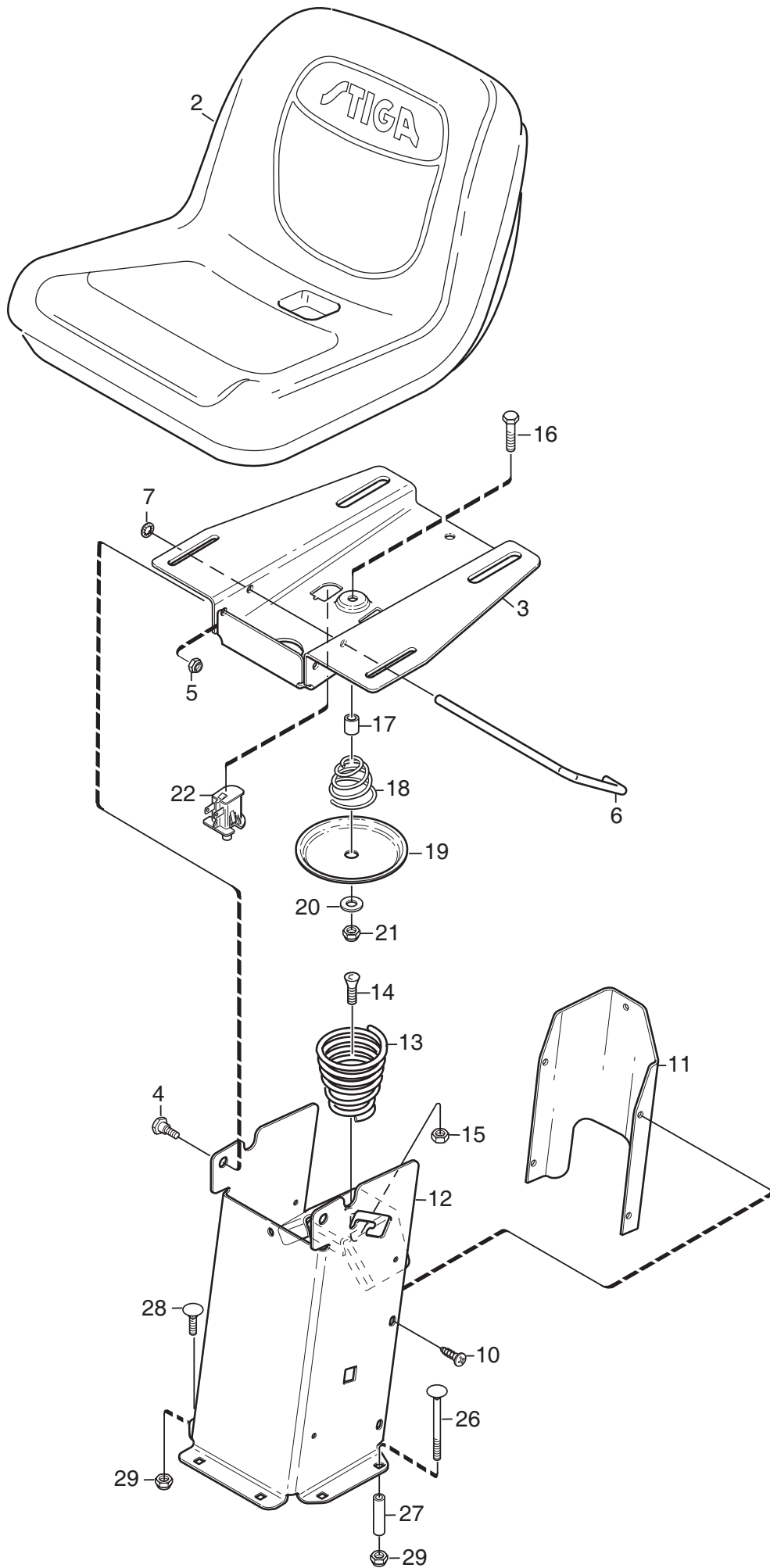
Utgåva Issue		Bildnr Picture No		PARK COMPACT 4WD KAROSS		PARK COMPACT 4WD BODY WORK		Sida Page	
2011- 11		1658B						36	
Pos. Fig.	Antal/Quantity				Art nr Part No	Benämning	Description	Sats Kit	Anmärkning Notes
	6104 -21								
1	1				1134-5263-02	Motorhuv- gul	Engine hood- yellow		Sats 3 st/kit of 3
2	7				9838-9530-12	Skruv	Screw		
3	1				1134-9028-01	Gummistropp- sats	Rubber strap kit		
4	1				9632-0516-00	Popnit	Pop rivet		
5	1				9699-0120-02	Bricka	Washer		
6	1				1134-5264-01	Motorlucka- grå	Engine cover- grey		
7	1				1134-5308-01	Stänkskärm vä- grå	Mud guard LH- grey		
8	1				1134-5308-02	Stänkskärm hö- grå	Mud guard RH- grey		
9	4				9893-0616-16	Skruv	Screw		
10	4				1134-4176-01	Clips	Clips		
11	2				1137-0088-01	Stödplåt	Support plate		
12	6				9945-0816-16	Skruv	Screw		
13	4				9699-0056-02	Planbricka	Flat washer		
14	1				1134-5306-01	Stötfångare, front- vä	Bumper, front- LH		
15	1				1134-5306-02	Stötfångare, front- hö	Bumper, front- RH		
16	2				9893-0616-16	Skruv	Screw		
18	1				1134-5305-01	Front- nedre	Front plate- lower		
19	2				9893-0616-16	Skruv	Screw		
20	1				1134-5320-02	Front- övre	Front- upper		
21	2				9946-0525-16	Skruv	Screw		
22	1				1134-6241-01	Huvstöd	Hood support		
23	3				9893-0616-16	Skruv	Screw		
24	1				1134-3970-05	Kantlist- vä, grå	Moulding- LH, grey		
25	1				1134-3970-02	Kantlist- hö, grå	Moulding- RH, grey		
26	2				9893-0616-16	Skruv	Screw		
27	2				9699-0060-02	Planbricka	Flat washer		
28	2				9747-0631-02	Låsmutter	Lock nut		
29	2				9897-0616-16	Vagnsbult	Carriage bolt		
99	1				1134-6440-03	Dekalsats	Label kit		



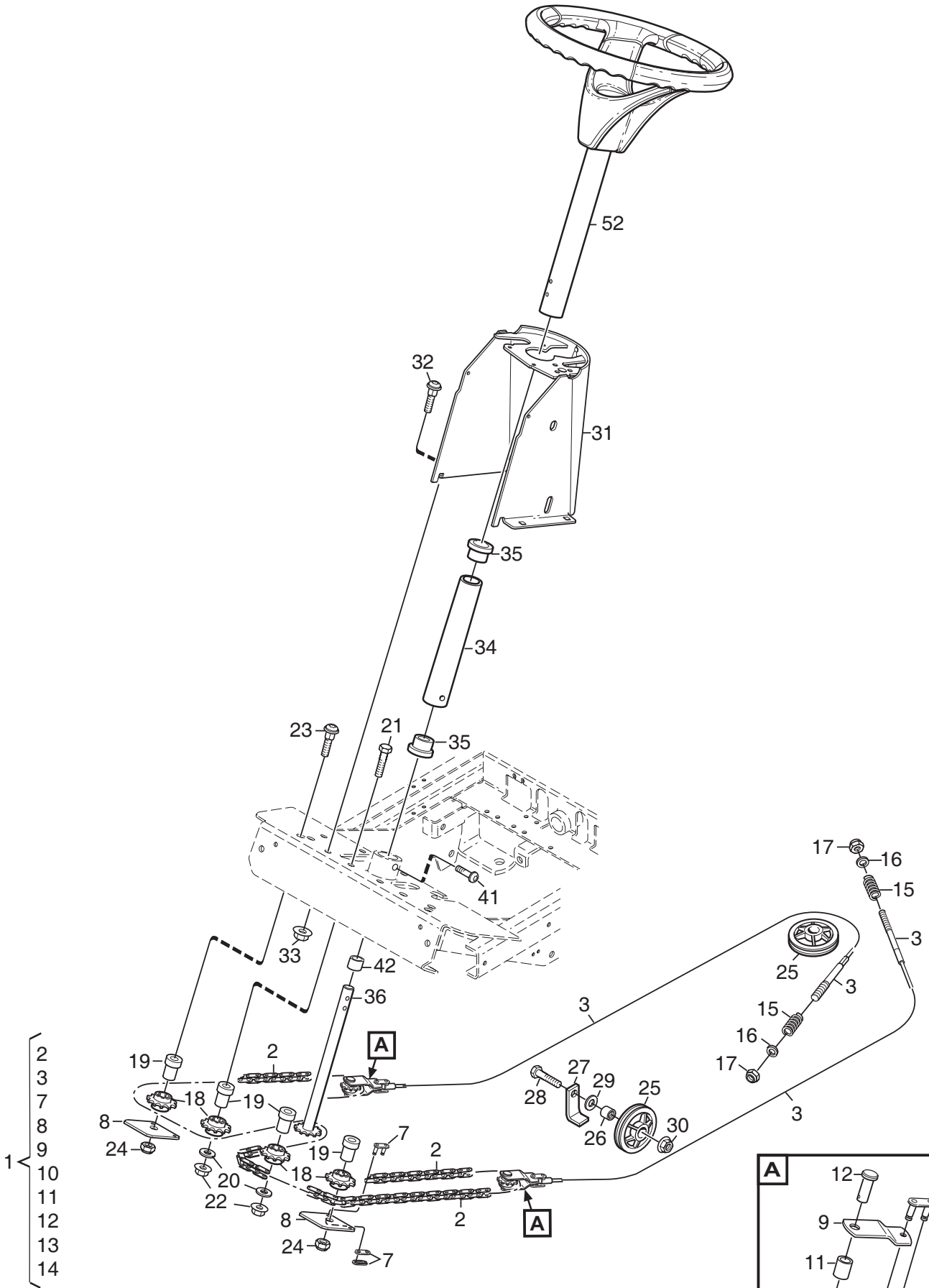
Utgåva Issue		Bildnr Picture No		PARK COMPACT 4WD RAM		PARK COMPACT 4WD FRAME		Sida Page	
2011- 11		2024C						38	
Pos. Fig.	Antal/Quantity				Art nr Part No	Benämning	Description	Sats Kit	Anmärkning Notes
	6104 -21								
1	1				1137-0100-01 Ram- främre	Frame- front			Rak/straight 90°
2	1				1134-3963-02 • Midjegaffel	• Clevis			
3	1				1134-0031-00 • Ledaxelstopp	• Pivot shaft stop			
4	1				9595-0262-00 • Spännstift	• Locating pin			
5A	1				9501-0500-00 • Smörjnippel	• Grease joint			
5B	1				9501-0504-01 • Smörjnippel	• Grease joint			
7	1				1134-6466-01 Ram- bakre	Frame- rear			
8	1				1134-5705-01 • Distans	• Spacer			
9	2				9547-0001-00 • Ledlager	• Bearing			
10	2				9501-0500-00 • Smörjnippel	• Grease joint			
11	1				1134-5988-01 Centrumaxel	Centre shaft			
13	2				9699-0035-02 Planbricka	Flat washer			
14	2				9959-1025-16 Skruv	Screw			
16	1				1134-6586-01 Durk	Floor plate			
17	1				1134-6372-04 Durkmatta	Floor mat			
18	2				9893-0616-16 Skruv	Screw			
19	2				9403-0048-70 Täckpropp	Plug			
20	2				9945-0816-16 Skruv	Screw			
21	2				9959-0820-16 Skruv	Screw			
22	2				9739-0831-22 Mutter	Nut			
31	1				1134-5337-02 Stötfångare- bak, grå	Bumper- rear, grey			
32	2				1134-0240-00 Ansattsskruv	Shoulder screw			
33	2				1134-4242-01 Distansbricka	Spacer washer			
34	2				9665-0002-00 Brickfjäder	Bowed washer			
35	2				9747-0831-02 Mutter	Lock nut			
36	2				9943-0516-16 Skruv	Screw			
37	2				1134-5345-01 Stag	Attachment			
38	1				1134-5344-01 Batterihylla	Battery shelf			
39	4				9945-0816-16 Skruv	Screw			



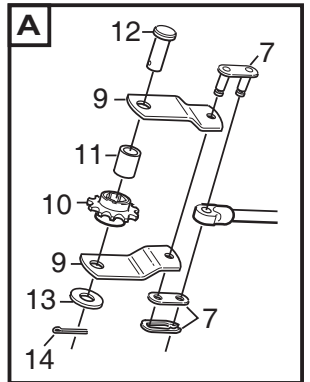
Utgåva Issue		Bildnr Picture No		PARK COMPACT 4WD PEDALLYFT		PARK COMPACT 4WD PEDAL LIFT		Sida Page	
2011-11		1023D						40	
Pos. Fig.	Antal/Quantity				Art nr Part No	Benämning	Description	Sats Kit	Anmärkning Notes
	6104 -21								
1	1				1134-4117-01 Fäste	Bracket			
2	2				1134-2684-01 Lager	Bearing			
3	1				1134-4945-01 Lyftspärr kpl	Lift catch assy			
7	1				9404-0027-01 • O-ring	• O-ring			
8	1				9650-0039-04 • Seegersäkring	• Lock ring			
9	1				9595-0276-01 • Spännstift	• Locating pin			
10	1				9997-0640-12 • Skruv	• Screw			
11	1				9747-0631-02 • Låsmutter	• Lock nut			
13	1				9897-0820-16 • Skruv	• Screw			
14	1				9747-0831-02 Mutter	Lock nut			
15	1				1134-4860-01 Lyftgaffel	Lift fork			
16	2				1134-0240-00 Ansatsskruv	Shoulder screw			
17	1				1134-4938-01 Lyftpedal	Lift pedal			
18	2				9997-0625-16 Skruv	Screw			
19	2				9739-0631-22 Mutter	Nut			
20	1				4231-0013-00 Fjäder	Spring			



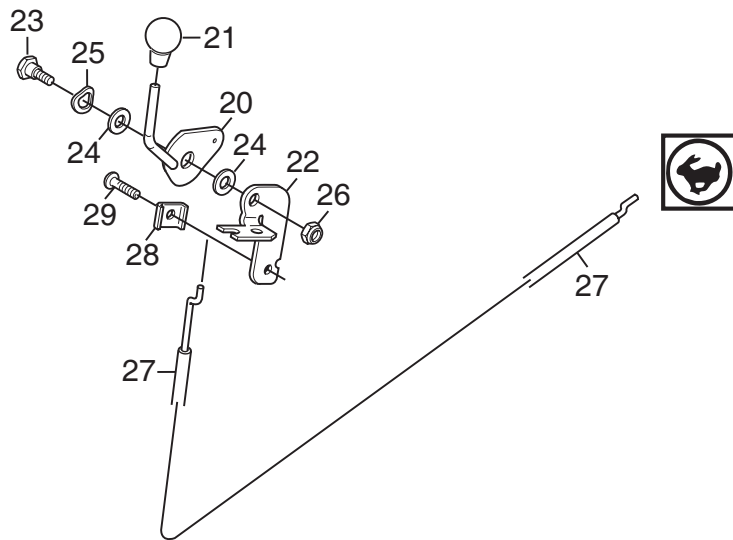
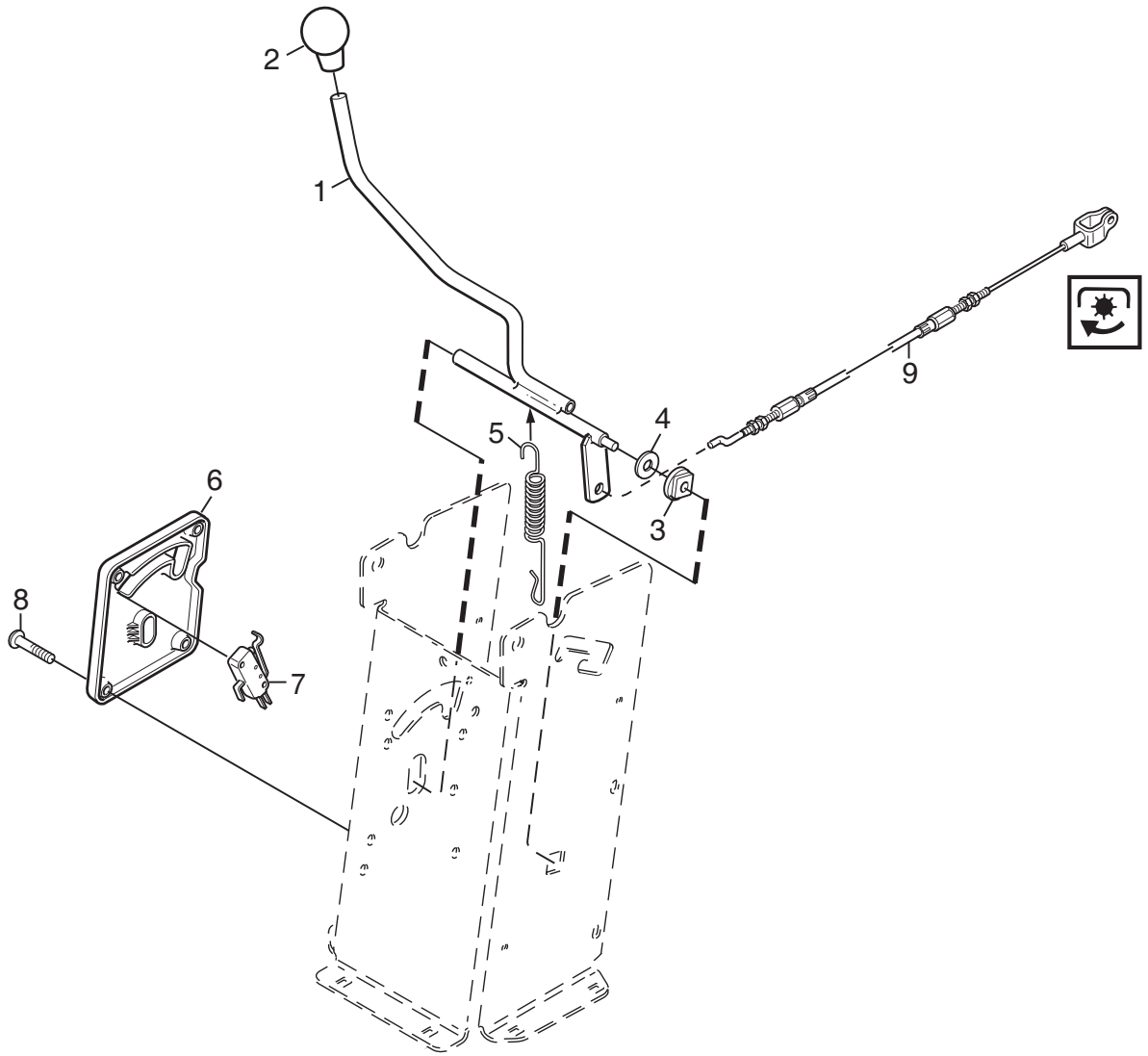
Utgåva Issue		Bildnr Picture No		PARK COMPACT 4WD SITS		PARK COMPACT 4WD SEAT		Sida Page	
2011- 11		1657B						42	
Pos. Fig.	Antal/Quantity				Art nr Part No	Benämning	Description	Sats Kit	Anmärkning Notes
	6104 -21								
2	1				1134-6444-01 Sits	Seat			
3	1				1134-5301-01 Sitsplatta	Seat plate			
4	2				1134-0240-00 Ansatsskruv	Shoulder screw			
5	2				9747-0831-02 Mutter	Lock nut			
6	1				1134-5454-01 Spärr	Catch			
7	1				9675-0012-02 Starlock	Locking washer			
10	4				9893-0616-16 Skruv	Screw			
11	1				1134-5300-01 Bakstycke- gul	Rear plate- yellow			
12	1				1134-5296-04 Sitskonsol- gul	Seat bracket- yellow			
13	1				1134-4256-01 Sitsfjäder	Seat spring			
14	1				9924-1235-19 Skruv	Screw			
15	1				9747-1231-02 Låsmutter	Lock nut			
16	1				9997-0840-16 Skruv	Screw			
17	1				1134-1565-06 Distans	Spacer			
18	1				1134-5302-01 Fjäder	Spring			
19	1				1134-5299-01 Tryckplatta	Push plate			
20	1				9699-0090-02 Planbricka	Flat washer			
21	1				9747-0831-02 Mutter	Lock nut			
22	1				1134-3156-02 Brytare (grå)	Switch (grey)			
26	2				9897-0880-12 Skruv	Screw			L = 80 mm
27	2				1134-1565-08 Distans	Spacer			
28	4				9897-0820-16 Skruv	Screw			L = 20 mm
29	6				9747-0831-02 Mutter	Lock nut			



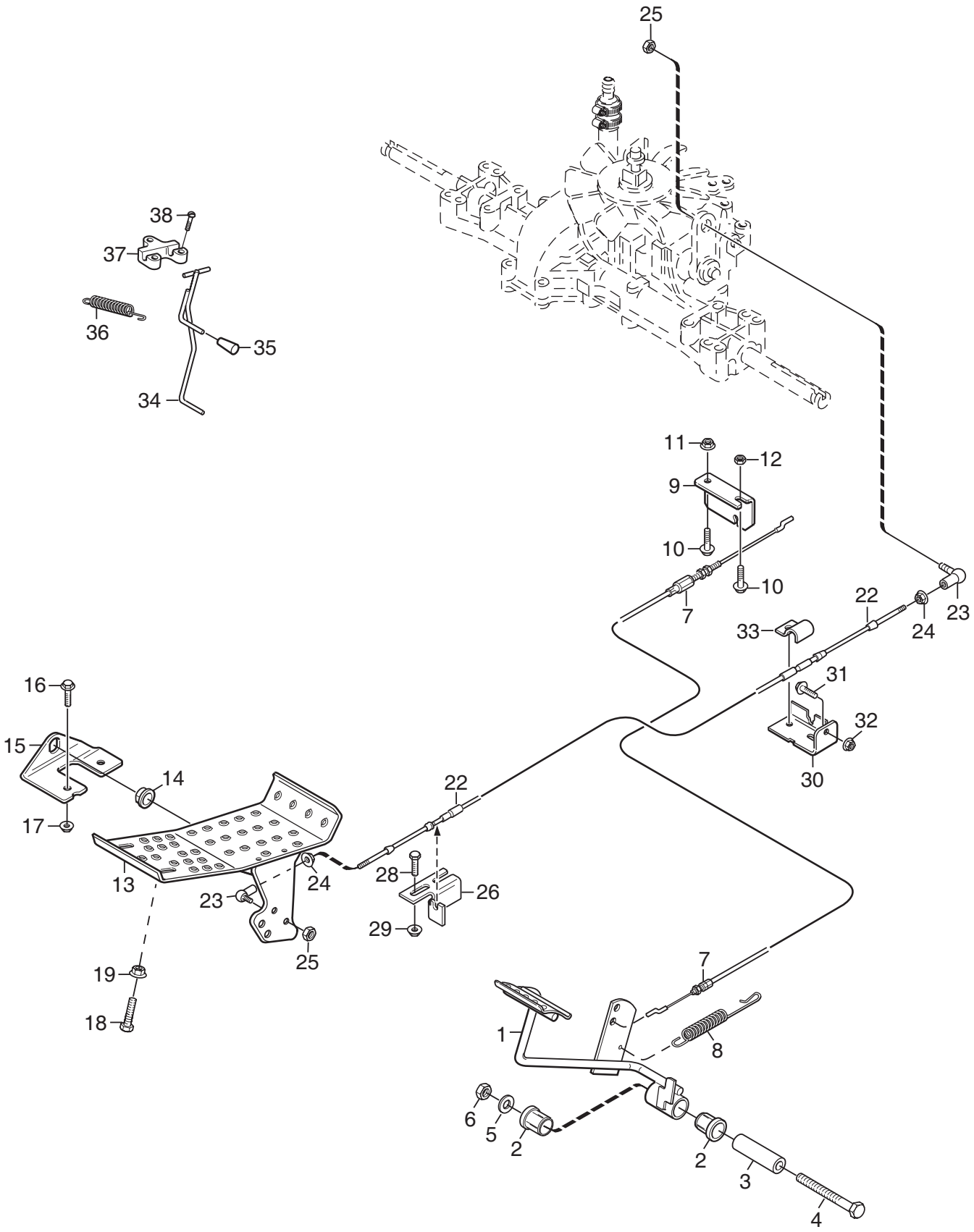
- 2
- 3
- 7
- 8
- 9
- 10
- 11
- 12
- 13
- 14



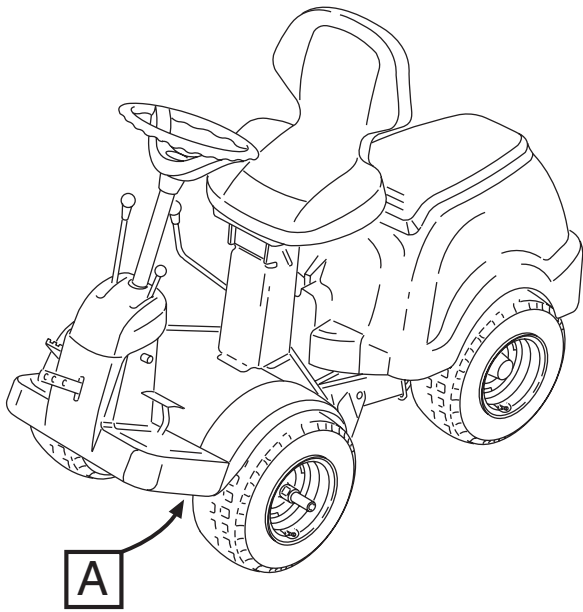
Utgåva Issue		Bildnr Picture No		PARK COMPACT 4WD STYRNING		PARK COMPACT 4WD STEERING		Sida Page	
2011- 11		2025B						44	
Pos. Fig.	Antal/Quantity				Art nr Part No	Benämning	Description	Sats Kit	Anmärkning Notes
	6104 -21								
X 1	1				1134- 6380- 02	Styrkedja kpl.....	Steering chain assy.....		Inkl. pos 2- 14 129 länk Sats vä+hö/kit L+R
2	1				1134- 6374- 10	• Kedja.....	• Chain.....		
3	1				1134- 9099- 01	• Styrwire kpl (vä+hö).....	• Steering cable assy.....		
7	4				1134- 2824- 02	• Kedjelås.....	• Chain lock.....		
8	2				1134- 5652- 01	• Fäste.....	• Attachment.....		
9	4				1134- 5651- 01	• Bygel.....	• Bracket.....		
10	2				1134- 2816- 01	• Kedjehjul.....	• Sprocket.....		
11	2				1134- 0041- 02	• Linhjulshylsa.....	• Idler wheel bush.....		
12	2				1134- 4817- 01	• Kolvstångssprint.....	• Pin.....		
13	2				9699- 0035- 02	• Planbricka.....	• Flat washer.....		
14	2				9599- 0054- 02	• Saxpinne.....	• Cotter pin.....		
15	2				1134- 3817- 01	Tryckfjäder.....	Compression spring.....		
16	2				9699- 0090- 02	Planbricka.....	Flat washer.....		
17	2				9747- 0831- 02	Mutter.....	Lock nut.....		
18	4				1134- 2816- 01	Kedjehjul.....	Sprocket.....		
19	4				1134- 5653- 01	Distans.....	Spacer.....		
20	2				9699- 0035- 02	Planbricka.....	Flat washer.....		
21	2				9997- 1060- 12	Skruv.....	Screw.....		
22	2				9739- 1031- 22	Mutter.....	Nut.....		
23	2				9897- 1060- 12	Skruv.....	Screw.....		
24	2				9731- 1031- 22	Mutter.....	Nut.....		
25	2				1134- 9025- 01	Linhjul- sats.....	Steering pulley- kit.....	Sats 2 st/kit of 2	
26	2				1134- 0041- 01	Linhjulshylsa.....	Bushing.....		
27	2				1134- 0046- 00	Linhållare.....	Wire clamp.....		
28	2				9997- 1040- 16	Skruv.....	Screw.....		
29	2				9699- 0035- 02	Planbricka.....	Flat washer.....		
30	2				9739- 1031- 22	Mutter.....	Nut.....		
31	1				1134- 5349- 01	Styrkonsol- gul.....	Steering console- yel.....		
32	4				9897- 0820- 16	Skruv.....	Screw.....		
33	4				9739- 0831- 22	Mutter.....	Nut.....		
34	1				1134- 1305- 05	Rattrör- nedre.....	Steering column- lower.....		
35	2				1134- 1901- 01	Lager.....	Bearing.....		
36	1				1137- 0079- 04	Rattstång.....	Steering rod.....		
41	2				9893- 0616- 16	Skruv.....	Screw.....		
42	1				1134- 2837- 03	Distans.....	Spacer.....		
52	1				1134- 5496- 03	Ratt.....	Steering wheel.....		



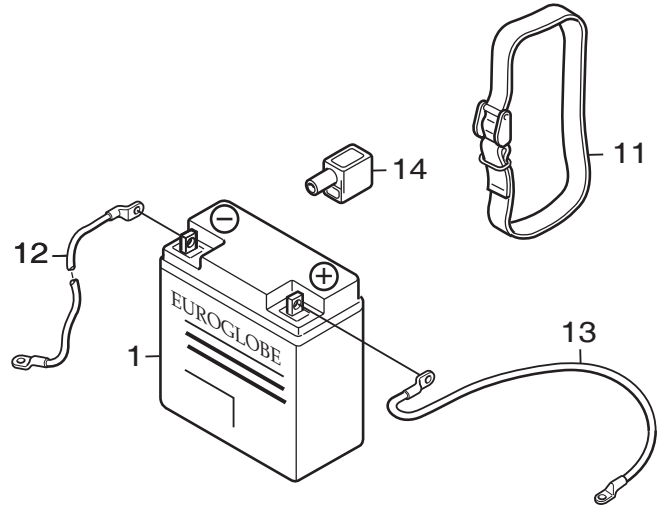
Utgåva Issue		Bildnr Picture No		PARK COMPACT 4WD HANDREGLAGE		PARK COMPACT 4WD HAND CONTROLS		Sida Page	
2011-11		1670B						46	
Pos. Fig.	Antal/Quantity				Art nr Part No	Benämning	Description	Sats Kit	Anmärkning Notes
	6104 -21								
1	1				1134-6301-01	Aggregatsspak.....	Engagement lever		
2	1				1134-2551-01	Reglageknopp.....	Knob		
3	1				1134-3790-02	Lager	Bearing.....		
4	1				9699-0090-02	Planbricka.....	Flat washer.....		
5	1				4231-0013-00	Fjäder.....	Spring		
6	1				1134-5368-01	Panel	Dashboard		
7	1				9400-0360-01	Mikrobrytare.....	Micro switch		
8	4				9946-0525-16	Skruv	Screw		
9	1				1134-3573-05	Reglagewire.....	Control cable.....		
20	1				1134-5465-01	Gasreglage.....	Throttle lever.....		
21	1				1134-4078-01	Knopp.....	Knob		
22	1				1134-5464-01	Fäste.....	Bracket.....		
23	1				1134-0240-00	Ansatsskruv.....	Shoulder screw.....		
24	2				1134-4242-01	Distansbricka.....	Spacer washer		
25	1				9694-0001-00	Fjäderbricka	Washer.....		
26	1				9747-0831-02	Mutter.....	Lock nut.....		
27	1				1134-4197-03	Gaswire	Throttle cable		
28	1				9500-9991-00	Wireklämma	Cable clamp		
29	1				9943-0516-16	Skruv.....	Screw.....		



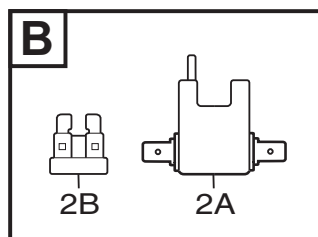
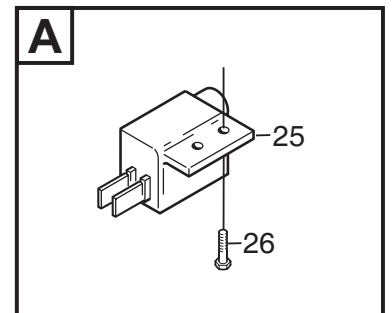
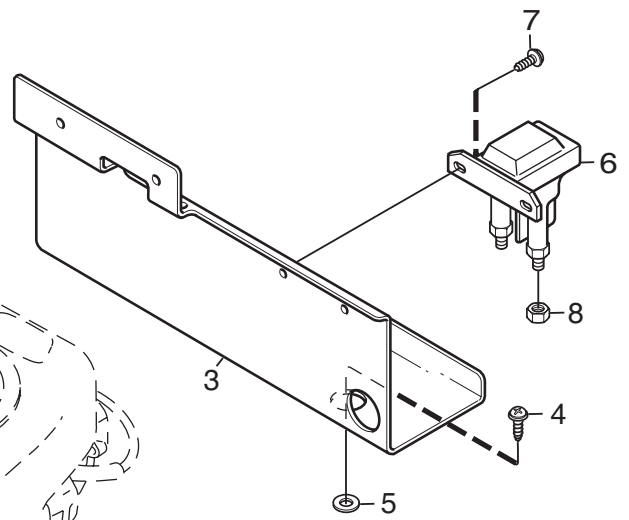
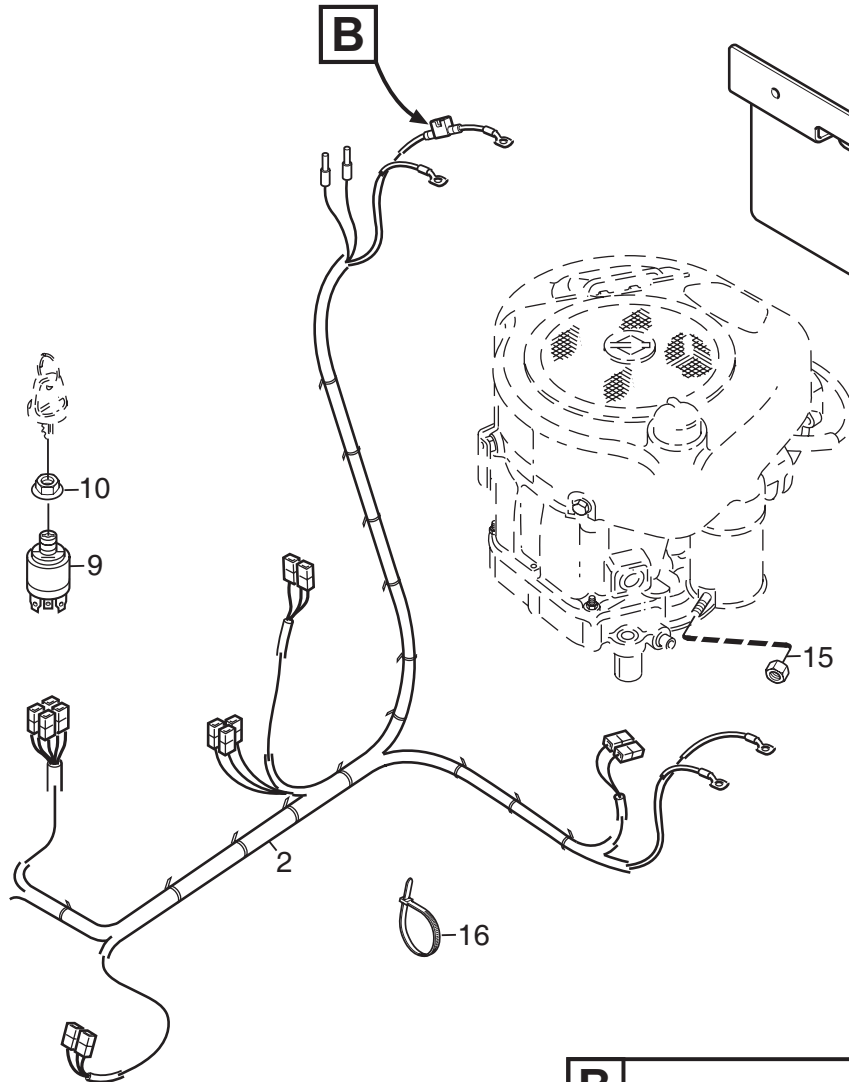
Utgåva Issue		Bildnr Picture No		PARK COMPACT 4WD FOTREGLAGE		PARK COMPACT 4WD FOOT CONTROLS		Sida Page	
2011-11		2026A						48	
Pos. Fig.	Antal/Quantity				Art nr Part No	Benämning	Description	Sats Kit	Anmärkning Notes
	6104 -21								
1	1				1134-5655-01	Broms/kopplingspedal.....	Brake/clutch pedal.....		Sats 4 st/kit of 4
2	1				1134-9024-01	Lager.....	Bearing.....		
3	1				1134-5677-02	Distans.....	Spacer.....		
4	1				9997-1070-12	Skruv.....	Screw.....		
5	1				9699-0030-02	Planbricka.....	Flat washer.....		
6	1				9739-1031-22	Mutter.....	Nut.....		
7	1				1134-6005-01	Wire.....	Cable.....		
8	1				4231-0013-00	Fjäder.....	Spring.....		
9	1				1134-6467-01	Wirefäste.....	Cable holder.....		
10	2				9959-0820-16	Skruv.....	Screw.....		
11	1				9739-0831-22	Mutter.....	Nut.....		
12	1				9747-0831-02	Mutter.....	Lock nut.....		
13	1				1134-6353-01	Drivpedal.....	Drive pedal.....		
14	2				1134-6313-01	Lager.....	Bearing.....		
15	2				1134-2700-01	Fäste.....	Bracket.....		
16	2				9959-0820-16	Skruv.....	Screw.....		
17	2				9739-0831-22	Mutter.....	Nut.....		
18	1				9997-0835-16	Skruv.....	Screw.....		
19	1				9739-0831-22	Mutter.....	Nut.....		
22	1				1134-2766-05	Reglagewire.....	Speed control cable.....		
23	2				9570-0001-00	Vinkellänk.....	Elbow link.....		
24	2				9739-0531-22	Mutter.....	Nut.....		
25	2				9747-0531-02	Mutter.....	Nut.....		
26	1				1134-6317-01	Wirefäste.....	Cable holder.....		
28	2				9959-0620-16	Skruv.....	Screw.....		
29	2				9739-0631-22	Mutter.....	Nut.....		
30	1				1134-3395-01	Fäste.....	Attachment.....		
31	2				9959-0820-16	Skruv.....	Screw.....		
32	2				9739-0831-22	Mutter.....	Nut.....		
33	1				1134-2021-01	Växelwirefäste.....	Clamp.....		
34	1				1134-5353-01	Bromsstång.....	Brake rod.....		
35	1				1134-2786-01	Plastknopp.....	Plastic knob.....		
36	1				1131-1497-01	Fjäder.....	Spring.....		
37	1				1134-4002-01	Fäste.....	Brake rod attachment.....		
38	3				9838-9516-12	Skruv.....	Screw.....		



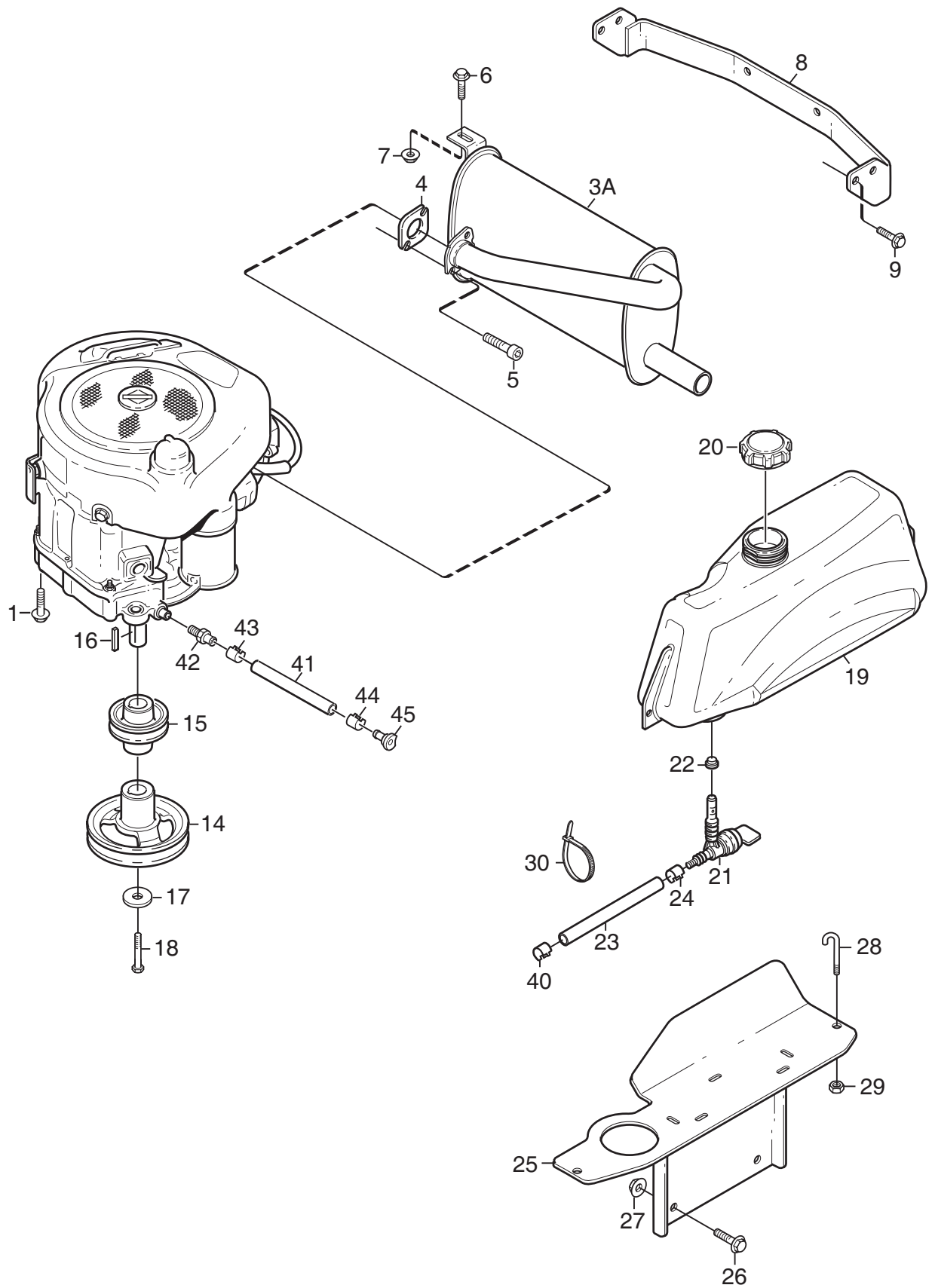
A



B

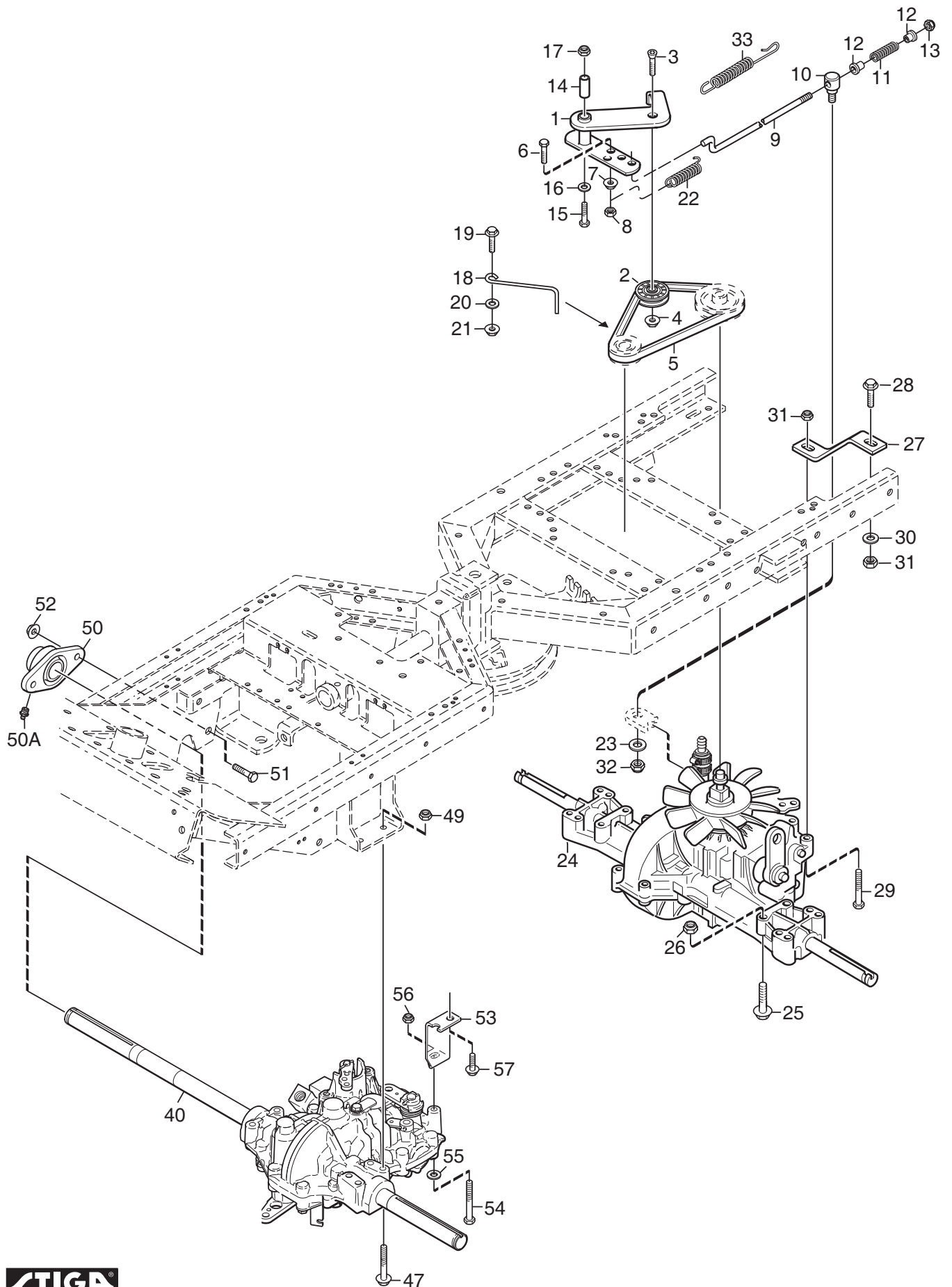


Utgåva Issue		Bildnr Picture No		PARK COMPACT 4WD ELUTRUSTNING		PARK COMPACT 4WD EL. EQUIPMENT		Sida Page	
2011-11		1671F						50	
Pos. Fig.	Antal/Quantity				Art nr Part No	Benämning	Description	Sats Kit	Anmärkning Notes
	6104 -21								
1	1				1134-4804-01 Batteri	Battery			
2	1				1134-5769-01 Kablage	Harness			
2A	1				9400-0327-01 • Säkringshållare	• Fuse holder			Inkl. pos 2A
2B	1				1134-3496-06 •• Säkring	•• Fuse			Inkl. pos 2B
3	1				1134-5343-01 Batterikonsol	Battery bracket			20A
4	3				9852-8013-16 Skruv	Screw			
5	2				9699-0060-02 Planbricka	Flat washer			
6	1				1134-2962-01 Solenoid kpl	Solenoid assy			Inkl. pos 8
7	2				9852-8013-16 Skruv	Screw			
8	2				9794-5131-02 • Mutter	• Nut			
9	1				1134-4093-01 Tändningslås	Ignition switch			
10	1				1134-4749-01 Mutter	Nut			
11	1				1134-5245-01 Batterirem	Battery strap			
12	1				1134-2167-01 Kabel	Cable			
13	1				1134-0234-02 Batterikabel (+)	Battery cable (+)			
14	1				1134-2310-01 Batteriskydd	Guard cap			
15	1				9795-3531-02 Mutter	Nut			
16	15				9579-0003-00 Buntband	Cable holder			
25	1				1134-3399-02 Brytare	Switch			
26	2				9943-0516-16 Skruv	Screw			

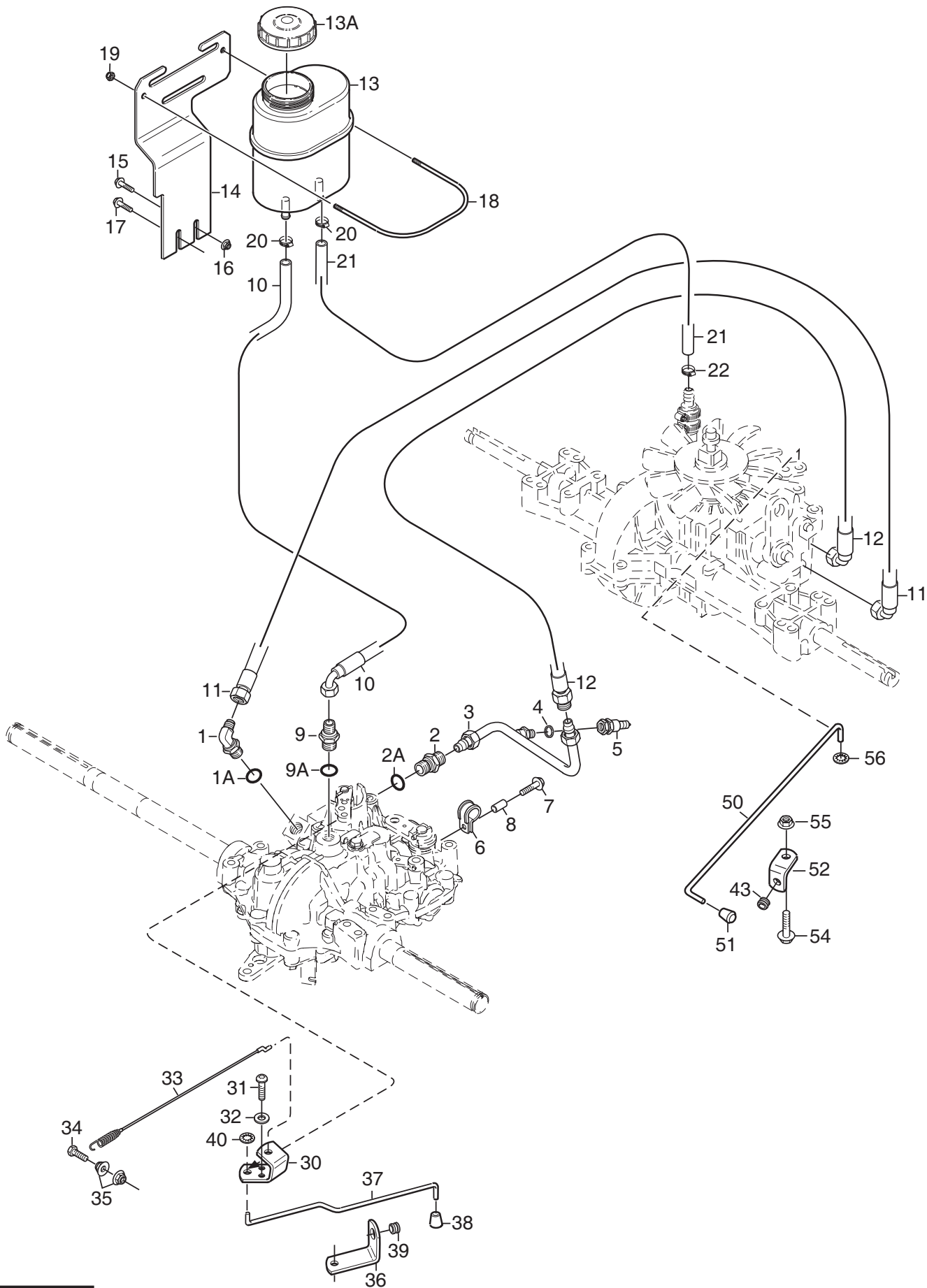


Utgåva Issue		Bildnr Picture No		PARK COMPACT 4WD MOTOR		PARK COMPACT 4WD ENGINE		Sida Page	
2011- 11		1672E						52	
Pos. Fig.	Antal/Quantity				Art nr Part No	Benämning	Description	Sats Kit	Anmärkning Notes
	6104 -21								
1	4				9955-3725-16 Skruv.....	Screw.....		3/8" UNC x 25 mm	
3A	1				1134-7784-01 Ljuddämpare	Muffler			
4	1				1134-0433-00 Ljuddämparpackning.....	Muffler gasket.....			
5	2				1134-4930-01 Skruv.....	Screw.....			
6	1				9959-0820-16 Skruv.....	Screw.....			
7	1				9739-0831-22 Mutter.....	Nut.....			
8	1				1134-5390-01 Dragkroksbalk	Tow bar bracket.....			
9	4				9945-0816-16 Skruv.....	Screw.....			
14	1				1137-0082-01 Motorremskiva	Engine pulley.....		Ø = 139 mm	
15	1				1137-0007-01 Motorremskiva	Engine pulley.....		Ø = 85 mm	
16	1				9600-0251-01 Kil	Key		L = 2 1/2"	
17	1				1134-5017-01 Bricka	Washer.....			
18	1				9987-5332-16 Skruv.....	Screw			
19	1				1134-6618-01 Bränsletank.....	Fuel tank			
20	1				1134-5532-01 Tanklock	Fuel tank cap.....			
21	1				1134-3224-01 Bensinkran.....	Fuel shut-off valve.....			
22	1				1134-3225-01 Gummibussning	Grommet.....			
23	0,35				9505-0001-01 Bensinslang (meter)	Fuel line (metre).....		Per meter	
24	1				9578-0023-02 Slangklämna.....	Hose clamp			
25	1				1134-6627-01 Tankkonsol	Fuel tank bracket.....			
26	2				9959-0820-16 Skruv.....	Screw.....			
27	2				9739-0831-22 Mutter.....	Nut.....			
28	2				1134-5346-01 Tankbygel	Fuel tank loop.....			
29	2				9747-0631-02 Låsmutter	Lock nut.....			
30	1				9579-0003-00 Buntband	Cable holder			
40	1				9578-0023-02 Slangklämna.....	Hose clamp			
41	1				1134-5827-01 Oljeavtappning kpl	Oil drain assy		Pos 42- 45 incl.	
42	1				1134-5825-01 • Nippel	• Nipple.....			
43	1				9578-0023-04 • Slangklämna.....	• Hose clamp			
44	1				1134-3499-02 • Slangklämna.....	• Hose clamp			
45	1				1134-5826-01 • Plugg	• Plug.....			

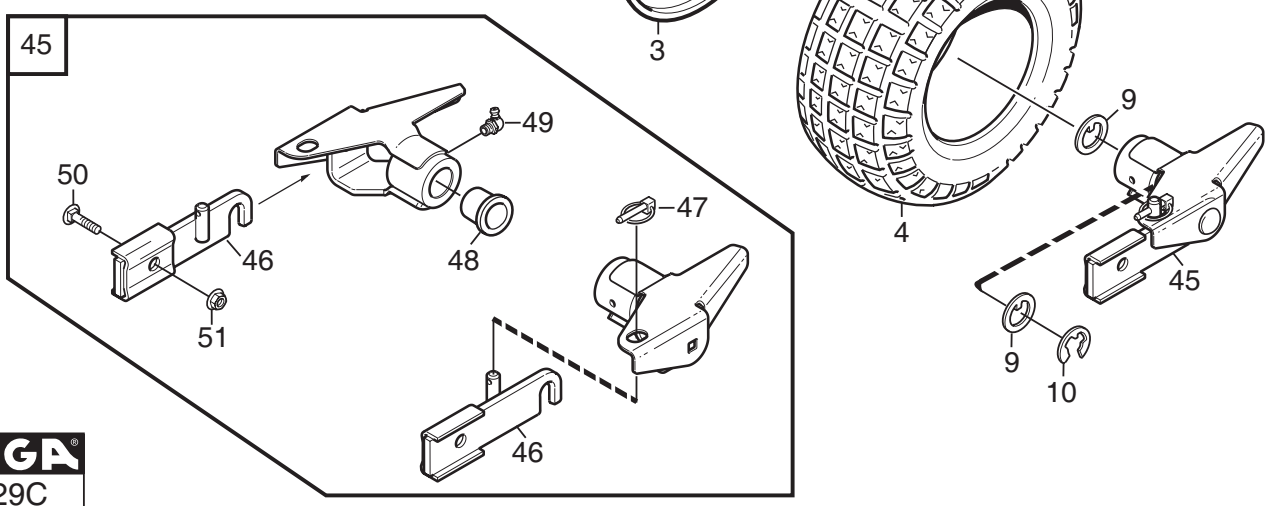
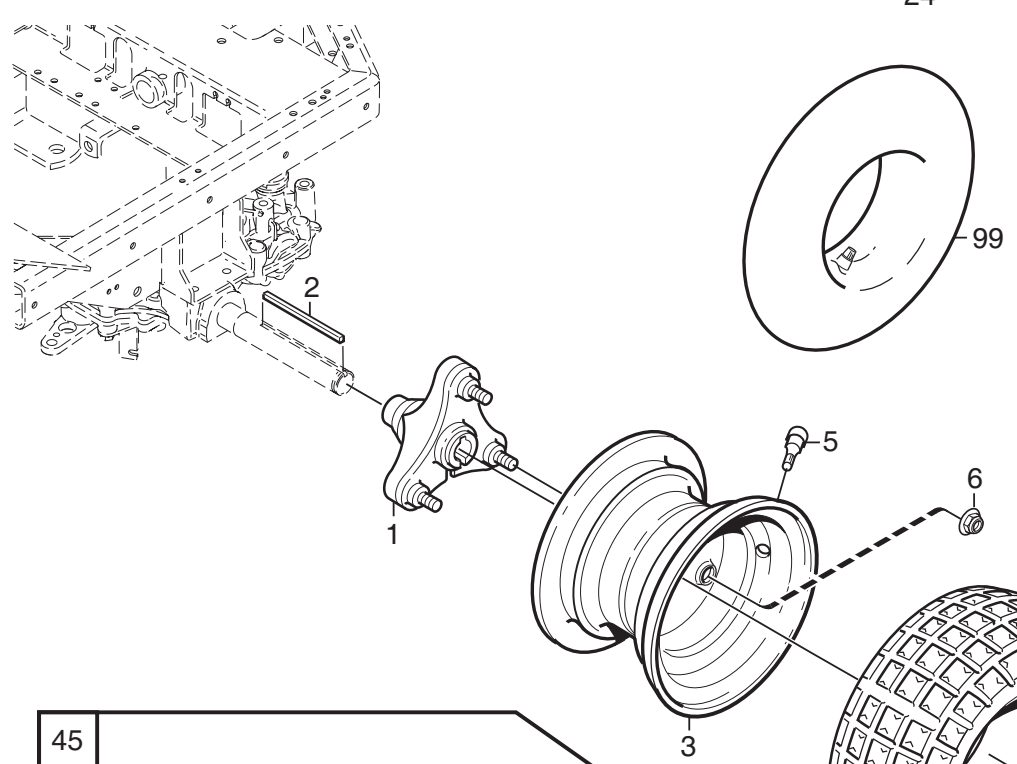
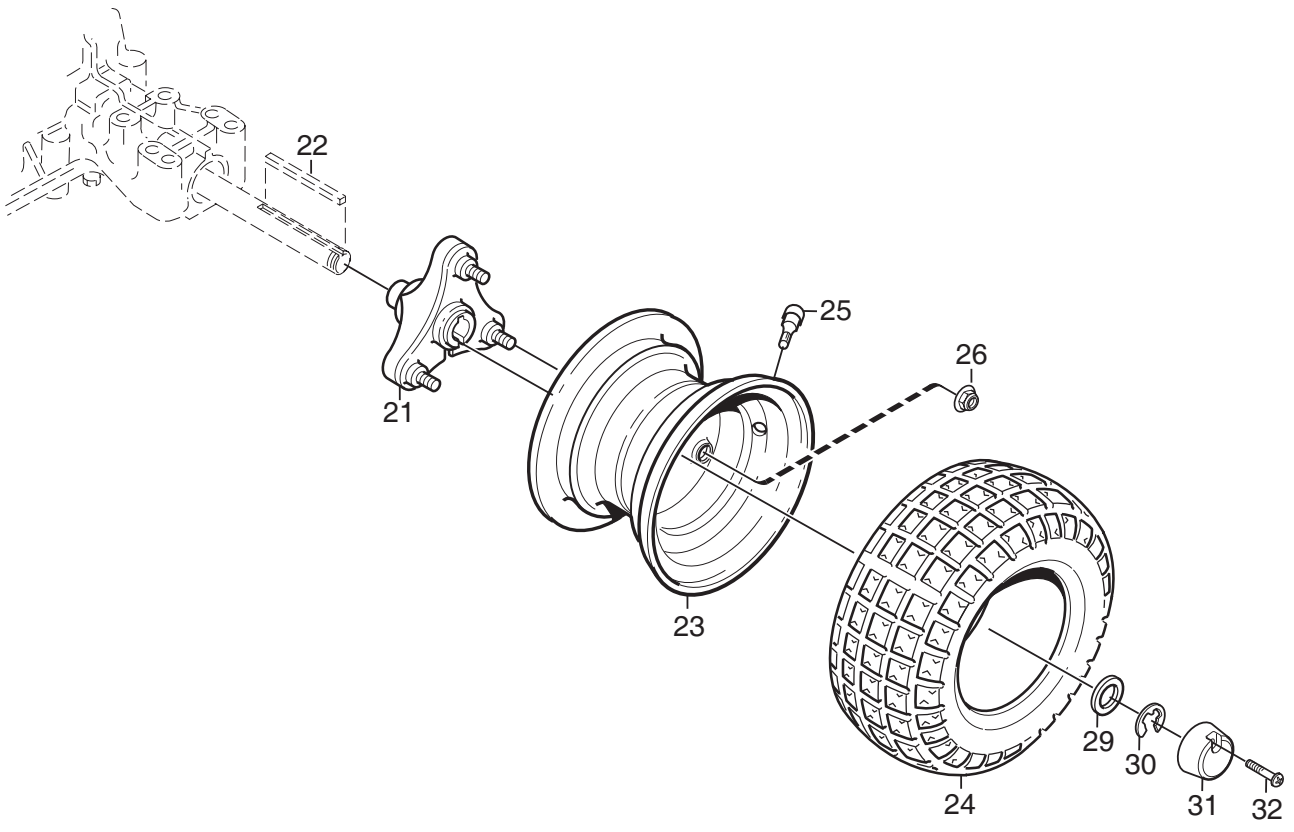
X
X



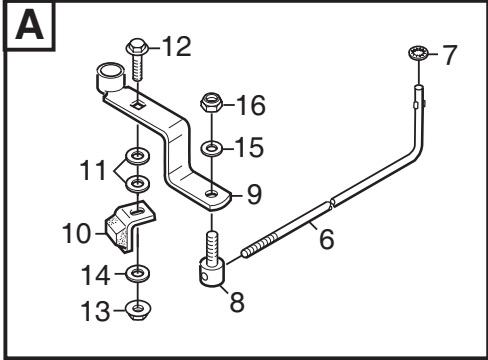
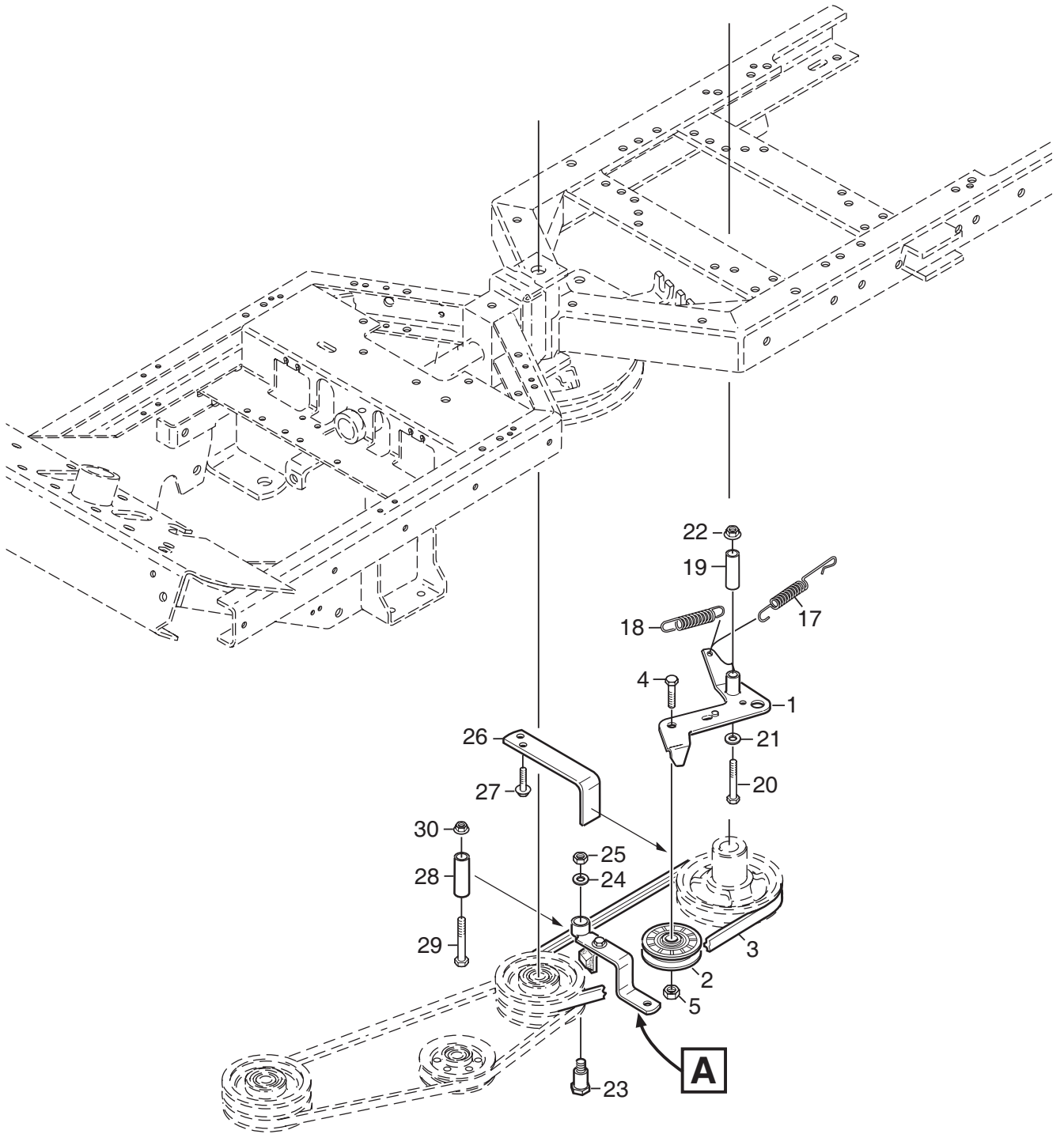
Utgåva Issue 2011- 11		Bildnr Picture No 2027B		PARK COMPACT 4WD TRANSMISSION (mekaniska delar)		PARK COMPACT 4WD TRANSMISSION (mechanical parts)		Sida Page 54	
Pos. Fig.	Antal/Quantity				Art nr Part No	Benämning	Description	Sats Kit	Anmärkning Notes
	6104 -21								
1	1				1134- 4000- 02	Spännarm	Tension arm		= 9585- 0091- 01
2	1				1134- 3459- 01	Spännrulle	Tension roller		
3	1				9924- 1035- 16	Skruv	Screw		
4	1				9799- 1031- 02	Mutter	Nut		
5	1				1134- 9058- 01	Drivrem	V- belt.....		
6	1				9997- 0625- 16	Skruv	Screw		
7	1				9739- 0631- 22	Mutter	Nut		
8	1				9747- 0631- 02	Låsmutter	Lock nut		
9	1				1134- 3377- 02	Reglagestång	Control rod.....		
10	1				1134- 4171- 01	Ledtapp	Pivot pin		
11	1				1134- 4183- 01	Tryckfjäder	Compression spring.....		
12	2				1134- 3456- 01	Bussning	Bushing.....		
13	1				9747- 0631- 02	Låsmutter	Lock nut		
14	1				1134- 1565- 08	Distans	Spacer		
15	1				9997- 0870- 16	Skruv	Screw		
16	1				9699- 0056- 02	Planbricka.....	Flat washer.....		
17	1				9747- 0831- 02	Mutter	Lock nut		
18	1				1134- 3289- 02	Remstyrning	Belt guide		
19	1				9959- 0820- 16	Skruv	Screw		
20	1				9699- 0056- 02	Planbricka.....	Flat washer.....		
21	1				9739- 0831- 22	Mutter	Nut		
22	1				1134- 6414- 01	Fjäder.....	Spring		
23	1				9699- 0060- 02	Planbricka.....	Flat washer.....		
24	1				1137- 0124- 01	Transaxel kpl.....	Transaxle assy.....	Kanzaki K574G	
25	4				9960- 0860- 12	Skruv	Screw		
26	4				9747- 0831- 02	Mutter	Lock nut		
27	1				1134- 3913- 01	Reaktionsstag	Strut		
28	1				9959- 0825- 16	Skruv	Screw		
29	1				9997- 0845- 12	Skruv	Screw		
30	1				9699- 0090- 02	Planbricka.....	Flat washer.....		
31	2				9747- 0831- 02	Mutter	Lock nut		
32	1				9747- 0631- 02	Låsmutter	Lock nut		
33	1				4231- 0013- 00	Fjäder.....	Spring		
40	1				1134- 6029- 01	Motoraxel- fram	Transaxle- front	Kanzaki KTM 10M	
47	2				9960- 0860- 12	Skruv	Screw		
49	2				9747- 0831- 02	Mutter	Lock nut		
50	1				1134- 5703- 01	Flänslagerenhet	Flange bearing.....		
50A	1				9501- 0500- 00	• Smörjnippel	• Grease joint.....		
51	2				9997- 1040- 16	Skruv	Screw		
52	2				9731- 1031- 22	Mutter	Nut		
53	1				1134- 5670- 01	Reaktionsstag	Strut		
54	1				9997- 0880- 16	Skruv	Screw		
55	1				9699- 0090- 02	Planbricka.....	Flat washer.....		
56	1				9747- 0831- 02	Mutter	Lock nut		
57	2				9945- 0816- 16	Skruv	Screw		



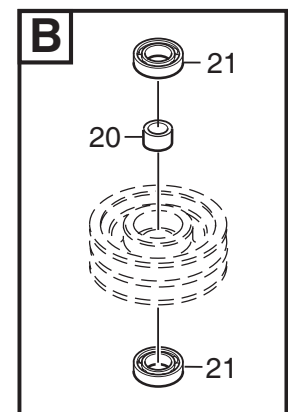
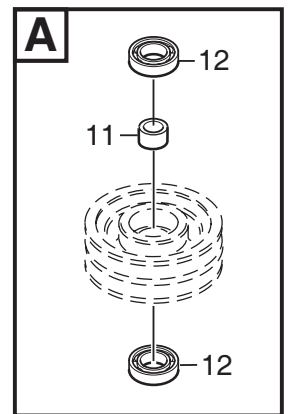
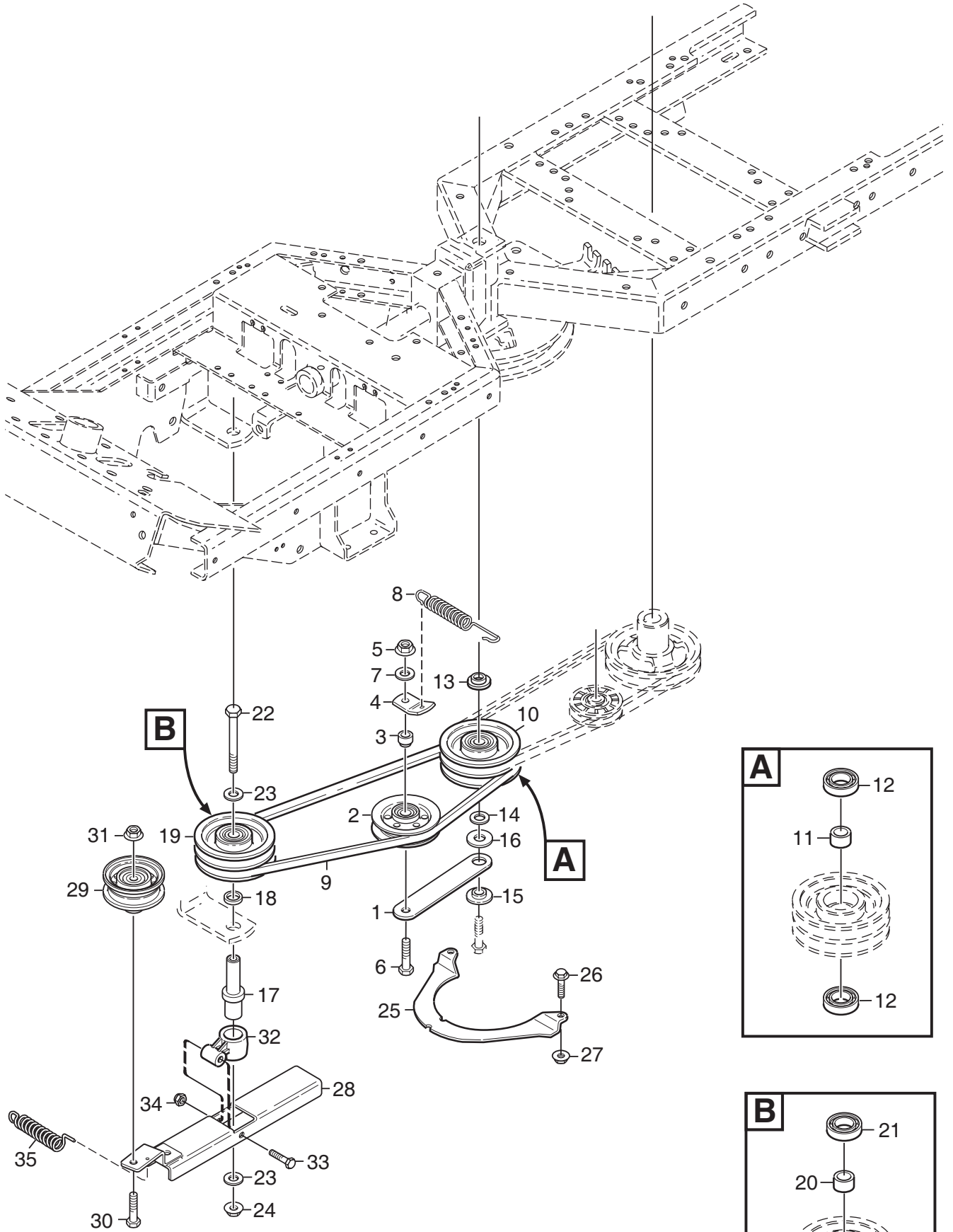
Utgåva Issue 2011- 11		Bildnr Picture No 2028A		PARK COMPACT 4WD TRANSMISSION (hydrauliska delar)		PARK COMPACT 4WD TRANSMISSION (hydraulic parts)		Sida Page 56	
Pos. Fig.	Antal/Quantity				Art nr Part No	Benämning	Description	Sats Kit	Anmärkning Notes
	6104 -21								
	1	1			1134-6044-01	Vinkeladapter	Angle coupling		3/4" x 9/16"
	1A	1			9404-0029-01	• O-ring	• O-ring		
	2	1			1134-5875-01	Skäringskoppling	Hydraulic coupling		3/4"
	2A	1			9404-0029-01	• O-ring	• O-ring		
	3	1			1134-6039-01	Hydraulrör	Hydraulic pipe		
	4	1			1134-4948-01	Tredobricka	Seal washer		1/4"
	5	1			1134-6042-01	Snabbkoppling- hane	Quick coupling- male		
	6	1			9578-0028-01	Rörklammer	Tube clamp		
	7	1			9959-0825-16	Skruv	Screw		
	8	1			1134-1565-09	Distans	Spacer		
	9	1			1134-5809-01	Adapter	Hydraulic coupling		3/4" x 9/16"
	9A	1			9404-0029-01	• O-ring	• O-ring		
X	10	1			1137-0215-01	Hydraulslang	Hydraulic tube		L = 1200
X	11	1			1137-0195-01	Hydraulslang	Hydraulic tube		L = 1275
X	12	1			1137-0212-01	Hydraulslang	Hydraulic tube		L = 1210
	13	1			1134-6011-01	Hydraultank	Hydraulic oil tank		
X	13A	1			1137-0272-01	• Tanklock	• Tank cap		
	14	1			1134-6009-01	Tankkonsol	Tank bracket		
	15	1			9959-0820-16	Skruv	Screw		
	16	1			9739-0831-22	Mutter	Nut		
	17	1			9945-0816-16	Skruv	Screw		
	18	1			1134-6030-01	Tankbygel	Tank loop		
	19	2			9747-0631-02	Låsmutter	Lock nut		
X	20	2			9578-0035-01	Slangklämma	Hose clamp		14,6-17,8
	21	1			1134-2779-08	Slang	Tube		L = 165 mm
	22	1			9578-0023-04	Slangklämma	Hose clamp		15x8
	30	1			1134-6162-01	Fäste	Bracket		
	31	2			9939-0612-16	Skruv	Screw		
	32	2			9699-0025-02	Planbricka	Washer		
	33	1			1134-6163-01	Wire	Cable		
	34	1			9997-0835-12	Skruv	Screw		
	35	2			9739-0831-22	Mutter	Nut		
	36	1			1134-6084-01	Reglagekonsol	Control bracket		
	37	1			1134-6083-01	Reglagestång	Control rod		
	38	1			1134-4014-01	Plastknopp	Plastic button		
	39	1			1134-2790-01	Gummihylsa	Rubber grommet		
	40	1			9675-0009-02	Starlock	Starlock		
	50	1			1134-4015-01	Dragstång	Pull rod		
	51	1			1134-4014-01	Plastknopp	Plastic button		
	52	1			1134-4713-01	Vinkel	Bracket		
	53	1			1134-2790-01	Gummihylsa	Rubber grommet		
	54	1			9959-0820-16	Skruv	Screw		
	55	1			9739-0831-22	Mutter	Nut		
	56	1			9675-0009-02	Starlock	Starlock		



Utgåva Issue		Bildnr Picture No		PARK COMPACT 4WD HJUL		PARK COMPACT 4WD WHEELS		Sida Page	
2011- 11		2029C						58	
Pos. Fig.	Antal/Quantity				Art nr Part No	Benämning	Description	Sats Kit	Anmärkning Notes
	6104 -21								
1	2				1134-4844-03 Hjulnav	Wheel hub			
2	2				1134-3383-02 Kil	Key			
3	2				1134-4558-01 Fälg	Rim			
4	2				9545-0116-00 Däck	Tyre			16 x 7.50 - 8
5	2				9545-0500-00 Ventil	Valve			
6	6				9731-1031-22 Mutter	Nut			
9	4				1134-5797-01 • Bricka	• Washer			
10	2				9653-0002-04 • Spärryttare	• Lock ring			
21	2				1134-4844-02 Hjulnav	Wheel hub			
22	2				1134-2471-01 Kil	Key			
23	2				1134-4558-01 Fälg	Rim			
24	2				9545-0116-00 Däck	Tyre			16 x 7.50 - 8
25	2				9545-0500-00 Ventil	Valve			
26	6				9731-1031-22 Mutter	Nut			
29	2				9699-0042-02 Planbricka	Flat washer			
30	2				9653-0001-04 Spärryttare	Lock ring			
31	2				1134-4796-01 Navkapsel	Hub cap			
32	2				9947-0540-19 Skruv	Screw			
45	1				13-0993-61 Snabbfäste kpl	Quick connections			Inkl. pos 9,10,46-51
46	1				1134-7465-01 • Fästen kpl, vä+hö	• Attachment kit, LH+RH			Inkl. pos 51-51
47	2				1137-0077-01 • Låssprint	• Locking pin			
48	4				1134-5686-01 • Lagerbussning	• Bearing bush			
49	2				9501-0502-00 • Smörjnippel	• Grease joint			
50	2				9898-1035-16 •• Skruv	•• Screw			
51	2				9739-1031-22 •• Mutter	•• Nut			
99					9545-0203-00 Innerslang	Inner tube			Reservdel/spare part



Utgåva Issue		Bildnr Picture No		PARK COMPACT 4WD KRAFTUTTAG 1		PARK COMPACT 4WD POWER TAKE-OFF 1		Sida Page	
2011-11		2030						60	
Pos. Fig.	Antal/Quantity				Art nr Part No	Benämning	Description	Sats Kit	Anmärkning Notes
	6104 -21								
1	1				1134-2018-02 Spännarm	Tension arm			
2	1				1134-9027-02 Spännrulle- grå	Tension roller- grey			
3	1				1134-9071-01 Drivrem	V- belt			= 9585-0129-01
4	1				9997-1030-16 Skruv	Screw			
5	1				9799-1031-02 Mutter	Nut			
6	1				1134-4162-01 Bromsstång	Brake rod			
7	1				9675-0008-02 Starlock	Locking washer			
8	1				1134-4170-01 Nippel	Nipple			
9	1				1134-4111-01 Bromsarm	Brake arm			
10	1				1134-4164-03 Bromsklots	Brake pad			
11	2				9699-0035-02 Planbricka	Flat washer			
12	1				9897-0825-16 Skruv	Screw			
13	1				9747-0831-02 Mutter	Lock nut			
14	1				9699-0090-02 Planbricka	Flat washer			
15	1				9699-0025-02 Planbricka	Washer			
16	1				9747-0631-02 Låsmutter	Lock nut			
17	1				4231-0013-00 Fjäder	Spring			
18	1				1134-4231-01 Dragfjäder	Spring			
19	1				1134-1565-10 Distans	Spacer			
20	1				9997-0860-12 Skruv	Screw			
21	1				9699-0056-02 Planbricka	Flat washer			
22	1				9739-0831-22 Mutter	Nut			
23	1				1134-4163-01 Ansattsskruv	Shoulder bolt			
24	1				9699-0035-02 Planbricka	Flat washer			
25	1				9739-1031-22 Mutter	Nut			
26	1				1134-3958-01 Remstyrning	Belt guide			
27	2				9893-0616-16 Skruv	Screw			
28	1				1134-0041-03 Hylsa	Collar			
29	1				9997-1070-12 Skruv	Screw			
30	1				9739-1031-22 Mutter	Nut			



Utgåva Issue		Bildnr Picture No		PARK COMPACT 4WD KRAFTUTTAG 2		PARK COMPACT 4WD POWER TAKE-OFF 2		Sida Page	
2011-11		2031A						62	
Pos. Fig.	Antal/Quantity				Art nr Part No	Benämning	Description	Sats Kit	Anmärkning Notes
	6104 -21								
1	1				1134-1730-01 Spännhjulssarm	Tension wheel arm			
2	1				1134-3663-01 Spännrulle	Tension wheel			
3	1				1134-1888-05 Distans	Spacer			
4	1				1134-1893-01 Fjäderfäste	Spring attachment			
5	1				9739-1031-22 Mutter	Nut			
6	1				9997-1060-12 Skruv	Screw			
7	1				9699-0035-02 Planbricka	Flat washer			
8	1				1134-5713-01 Dragfjäder	Spring			
9	1				1134-9098-01 Drivrem	V-belt			
10	1				1137-0004-01 Centrumremskiva kpl.	Centre pulley assy			= 9585-0148-01 Inkl. pos 11-12
11	1				1134-0051-09 • Distans	• Spacer			
12	2				9549-0019-00 • Kullager	• Ball bearing			
13	1				1134-5548-01 Distans	Spacer			
14	1				9699-0035-02 Planbricka	Flat washer			
15	1				1134-0222-00 Bricka	Washer			
16	1				9699-0109-02 Planbricka	Flat washer			
17	1				1134-5663-01 Axel	Shaft			
18	1				1134-0052-00 Lagerdistans	Bearing spacer			
19	1				1137-0004-01 Centrumremskiva kpl.	Centre pulley assy			Inkl. pos 20-21
20	1				1134-0051-09 • Distans	• Spacer			
21	2				9549-0019-00 • Kullager	• Ball bearing			
22	1				9997-1011-06 Skruv	Screw			
23	2				9699-0030-02 Planbricka	Flat washer			
24	1				9739-1031-22 Mutter	Nut			
25	1				1134-3654-01 Fingerskydd	Finger guard			
26	2				9959-0612-16 Skruv	Screw			
27	2				9739-0631-22 Mutter	Nut			
28	1				1134-5660-01 Spännarm	Tension arm			
29	1				1134-5823-01 Spännrulle	Tension roller			
30	1				9997-1050-16 Skruv	Screw			
31	1				9739-1031-22 Mutter	Nut			
32	1				1134-6314-01 Spännarmsfäste	Attachment			
33	1				9997-0645-12 Skruv	Screw			
34	1				9747-0631-02 Låsmutter	Lock nut			
35	1				1134-5824-01 Fjäder	Spring			