



[www.stiga.com](http://www.stiga.com)

# Illustrated Parts List

**for model:**

**Park Pro 4 WD**

- Use GLOBAL GARDEN PRODUCT genuine spare parts specified in the parts list for repair and/or replacement.
- Then contents described in the parts list may change due to improvement.
- The drawings of the spare part are only indicative and might not represent the part in question exactly.
- The indications "right" - "left" - "front" - "rear" refer to the position of the operator when using the machine.
- When placing orders of parts for repair and/or replacement, make sure that the illustrated parts list is the one applying to the machine's year of manufacture, as shown on the identification plate attached to the machine.

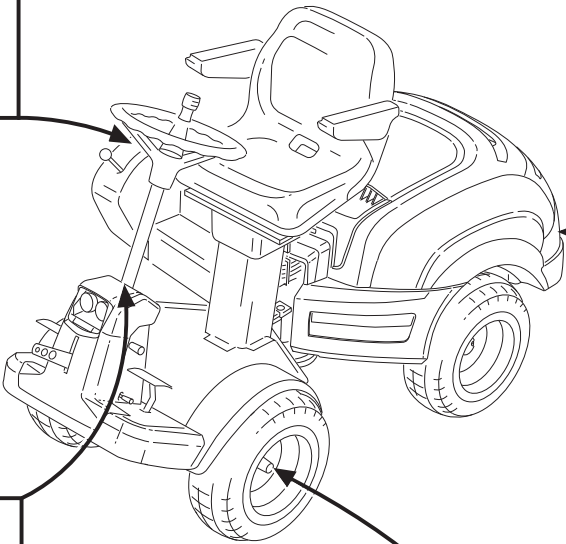
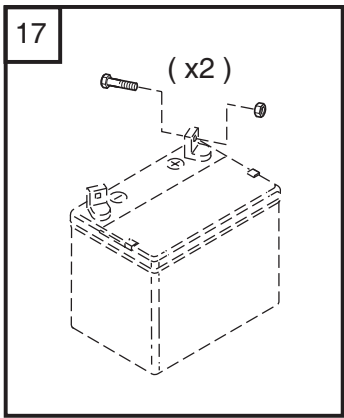
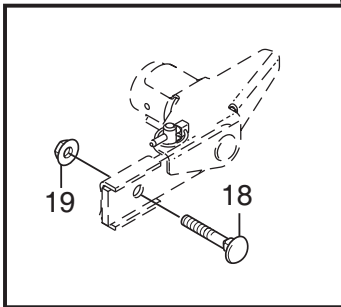
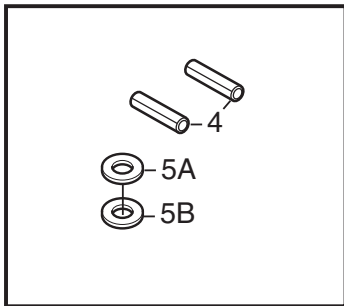
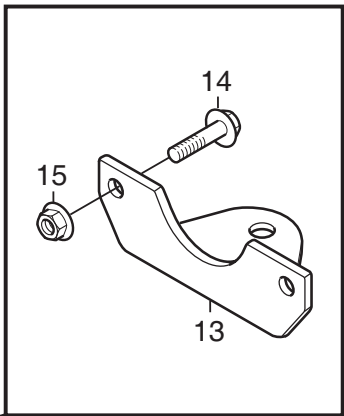
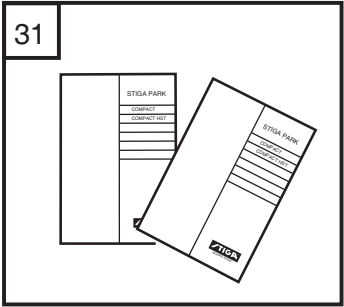
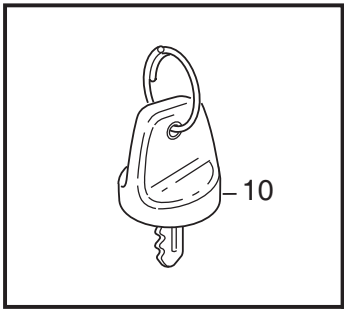
© Copyright 2014 Global Garden Products

All content is subject to copyright by Global Garden Products and may not be reproduced in whole or in part by any means, electronic or otherwise, without prior written approval.

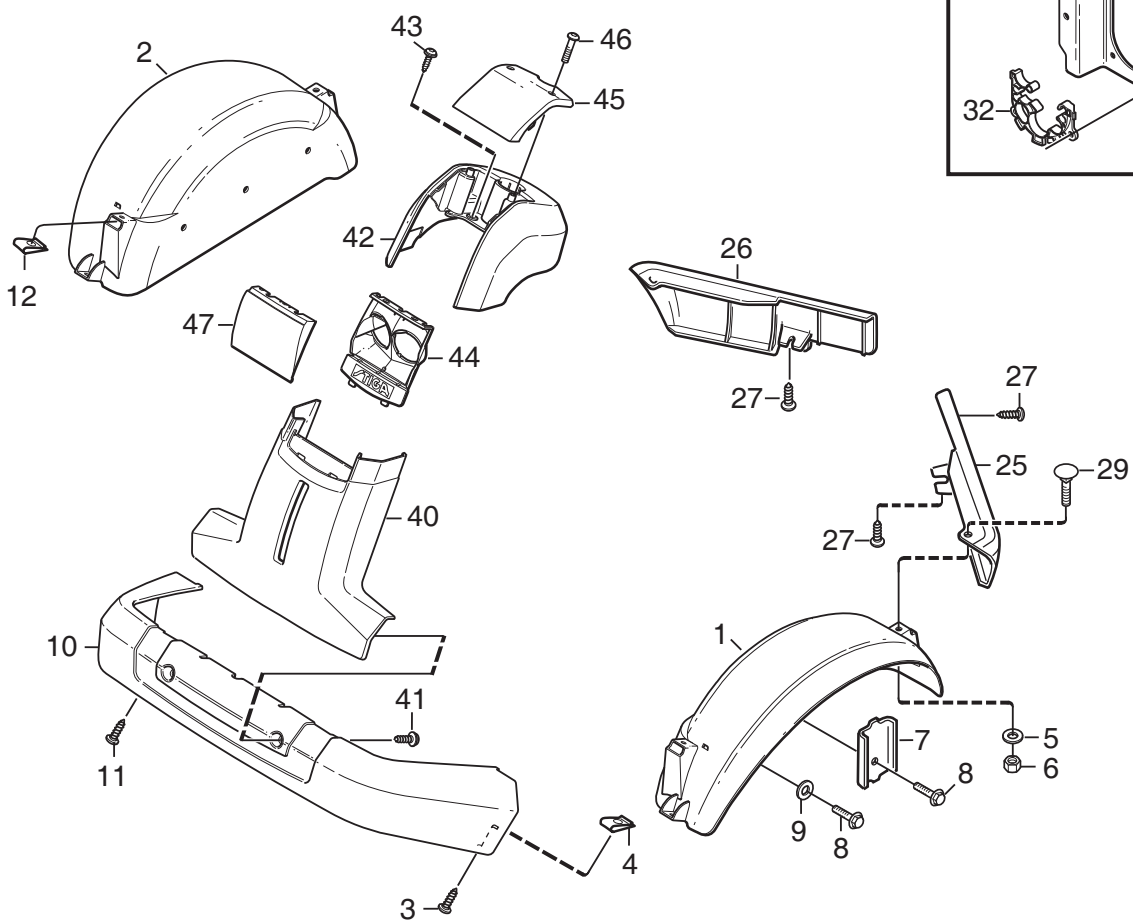
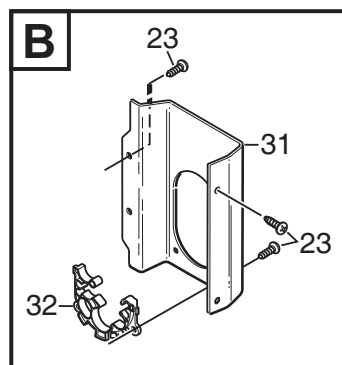
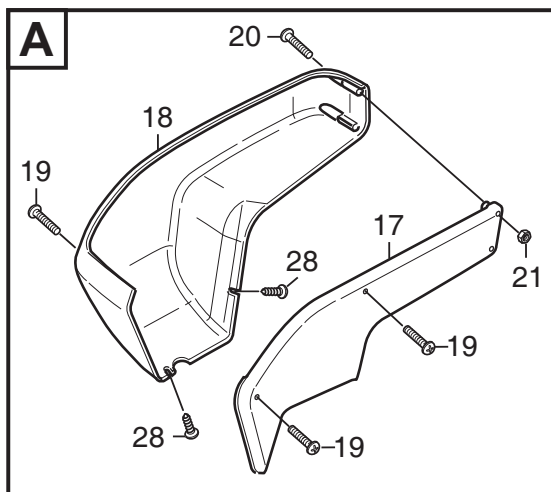
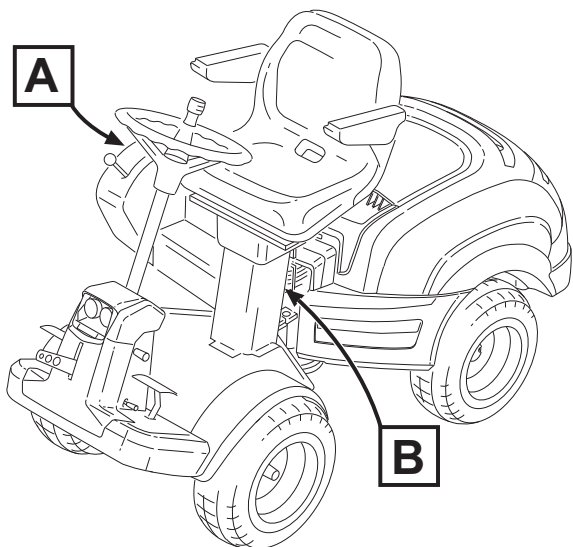
THIS INFORMATION IS NOT INTENDED FOR SALE OR RESALE, AND THIS NOTICE MUST REMAIN ON ALL COPIES.

[www.ggp-group.com](http://www.ggp-group.com)

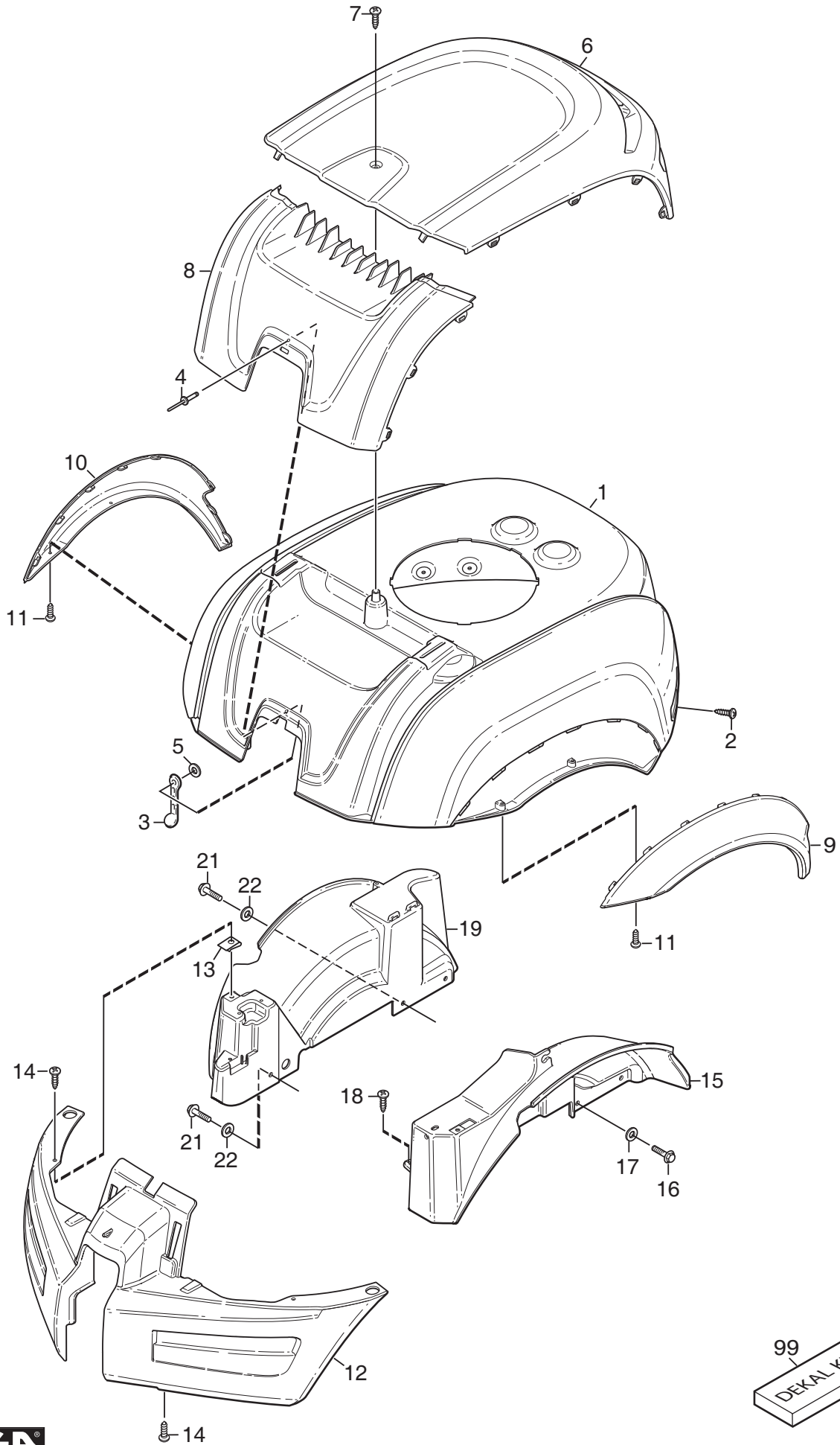




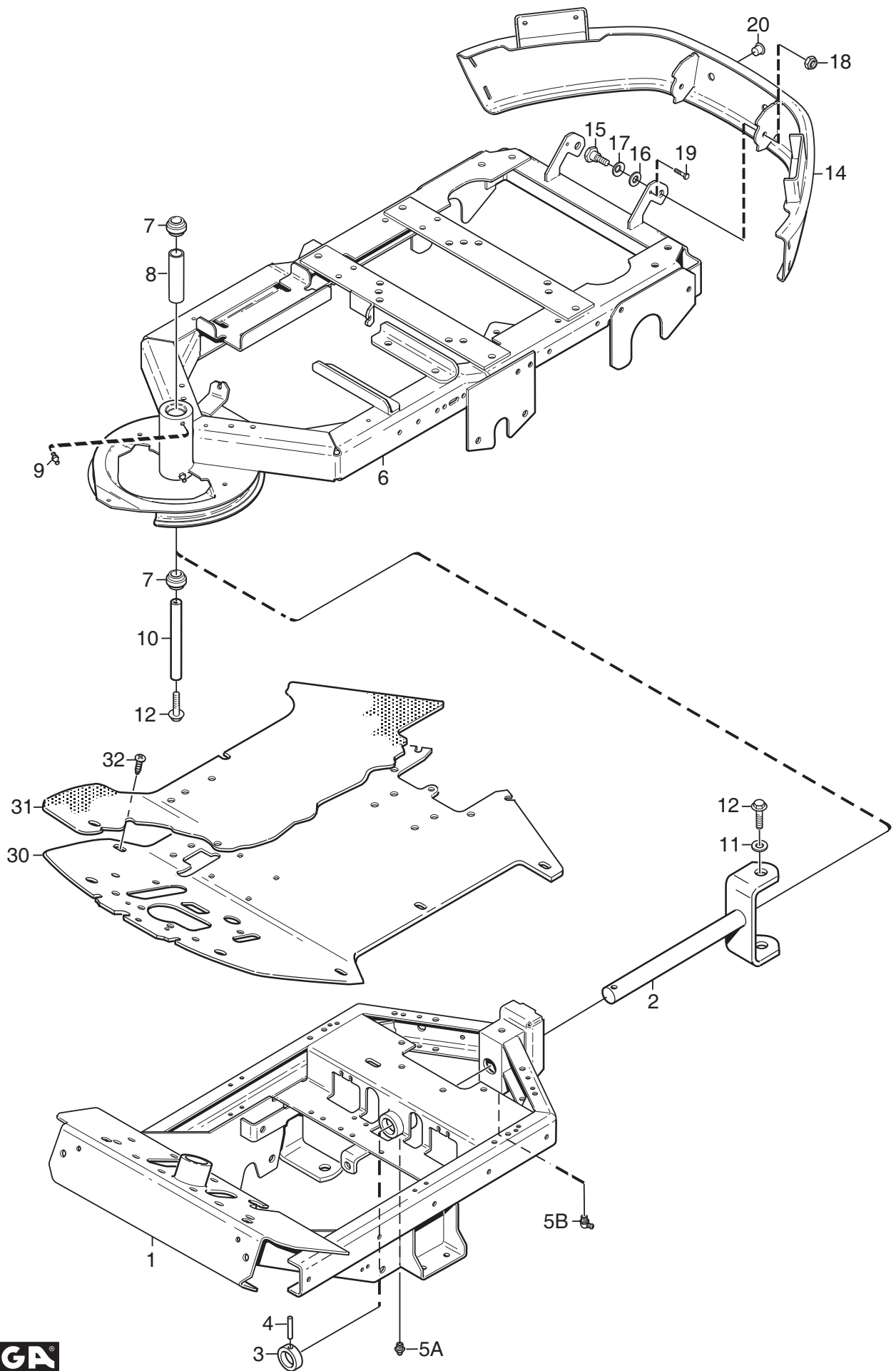
Utgåva Issue 2014-11		Bildnr Picture No 1788C		PARK PRO 4WD MONTERINGSDETALJER		PARK PRO 4 WD ASSEMBLY PARTS		Sida Page 2	
Pos. Fig.	Antal/Quantity				Art nr Part No	Benämning	Description	Sats Kit	Anmärkning Notes
	6269	6270	6276						
4	2				9595-0262-00	Spännstift.....	Locating pin .....		
5A	1				9699-0103-02	Shims .....	Flat washer .....		0.5 mm
5B	1				9699-0114-02	Shims .....	Flat washer .....		1.0 mm
10	2				1134-4734-01	Tändningsnyckel.....	Ignition key .....		
13	1				1134-5512-01	Dragplåt .....	Towing plate.....		
14	2				9959-0820-16	Skruv.....	Screw.....		
15	2				9739-0831-22	Mutter .....	Nut.....		
17	1				1134-6113-02	Batteriskruvar .....	Battery screws.....		
18	2				9898-1035-16	Skruv.....	Screw.....		
19	2				9739-1031-22	Mutter .....	Nut.....		
31	1					Bruksanvisning .....	Owner´s manual .....		As pdf



Utgåva Issue 2014-11		Bildnr Picture No 2749		PARK PRO 4WD KAROSS-FRAM		PARK PRO 4 WD BODY WORKS-FRONT		Sida Page 4	
Pos. Fig.	Antal/Quantity				Art nr Part No	Benämning	Description	Sats Kit	Anmärkning Notes
	6269	6270	6276						
1	1				1137-0048-01	Skärm-vä, grå .....	Mud guard-LH, grey .....		
2	1				1137-0048-02	Skärm-hö, grå .....	Mud guard-RH, grey .....		
3	2				9893-0616-16	Skruv.....	Screw.....		
4	2				1134-4176-01	Clips.....	Clips.....		
5	2				9699-0060-02	Planbricka.....	Flat washer .....		
6	2				9747-0631-02	Låsmutter.....	Lock nut .....		
7	2				1137-0088-01	Stödplåt.....	Support plate .....		
8	6				9945-0816-16	Skruv.....	Screw.....		
9	4				9699-0056-02	Planbricka.....	Flat washer .....		
10	1				1137-0049-01	Stötfångare-grå .....	Bumper-grey .....		
11	6				9893-0616-16	Skruv.....	Screw.....		
12	2				1134-4176-01	Clips.....	Clips .....		
17	1				1134-4360-01	Kåpa-inre .....	Cover-inner .....		
18	1				1134-3979-01	Kåpa-yttre.....	Cover-outer .....		
19	3				9946-0525-16	Skruv.....	Screw.....		
20	2				9950-0570-12	Skruv.....	Screw.....		
21	2				9747-0531-02	Mutter .....	Nut.....		
23	6				9893-0616-16	Skruv.....	Screw.....		
25	1				1134-3970-05	Kantlist-vä, grå .....	Moulding-LH, grey .....		
26	1				1134-3970-02	Kantlist-hö, grå .....	Moulding-RH, grey .....		
27	4				9893-0616-16	Skruv.....	Screw.....		
28	2				9840-8013-16	Skruv.....	Screw.....		
29	2				9897-0616-16	Vagnsbult .....	Carriage bolt.....		
31	1				1137-0061-01	Bakstycke .....	Rear plate .....		
32	1				1137-0065-01	Slanghållare.....	Tube collector .....		
40	1				1137-0050-01	Frontkåpa-nedre.....	Front panel-lower.....		
41	2				9838-9516-12	Skruv.....	Screw .....		
42	1				1137-0051-01	Frontkåpa-övre .....	Front panel-upper.....		
43	2				9946-0525-16	Skruv.....	Screw.....		
44	1				1137-0052-01	Lamphållare.....	Lamp holder .....		
45	1				1137-0053-01	Toppkåpa .....	Top panel.....		
46	2				9838-9516-12	Skruv.....	Screw .....		
47	1				1137-0054-01	Lampglas .....	Lamp glass .....		

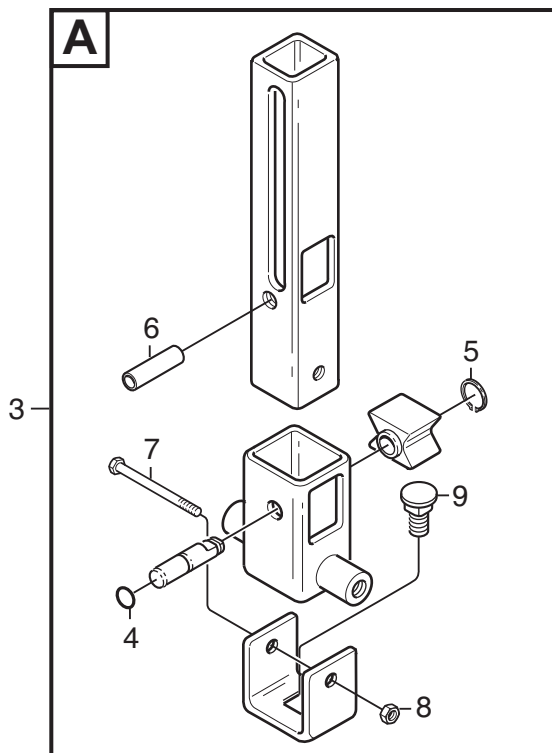
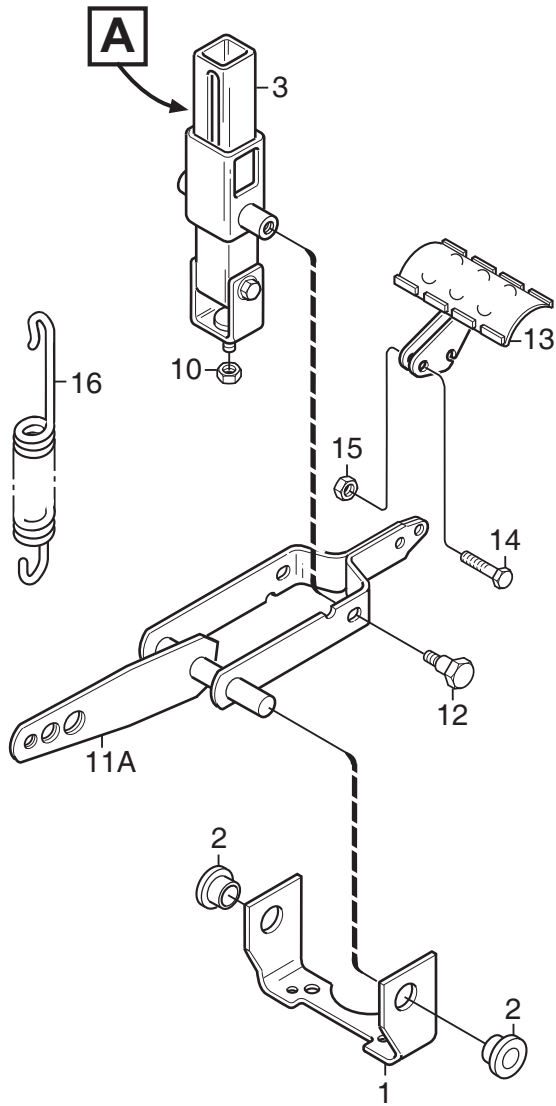


Utgåva Issue 2014-11		Bildnr Picture No 1790		PARK PRO 4WD KAROSS-BAK		PARK PRO 4 WD BODY WORKS-FRONT		Sida Page 6	
Pos. Fig.	Antal/Quantity				Art nr Part No	Benämning	Description	Sats Kit	Anmärkning Notes
	6269	6270	6276						
1	1				1137-0175-01	Motorhuv .....	Engine hood .....		Sats 3 st/kit if 3
2	4				9893-0616-16	Skruv.....	Screw.....		
3	1				1134-9028-01	Gummistropp-sats .....	Rubber strap kit.....		
4	1				9632-0513-00	Popnit.....	Pop rivet.....		
5	1				9699-0120-02	Bricka .....	Washer.....		
6	1				1134-5636-01	Motorlucka .....	Engine cover .....		
7	1				9838-9516-12	Skruv.....	Screw .....		
8	1				1134-5635-01	Frontlucka.....	Engine front cover.....		
9	1				1134-5638-01	Skärmbreddare-vä.....	Wheel arch liner-LH .....		
10	1				1134-5638-02	Skärmbreddare-hö .....	Wheel arch liner-RH .....		
11	4				9838-9516-12	Skruv.....	Screw .....		
12	1				1134-5637-01	Spoiler.....	Spoiler .....		
13	2				1134-4176-01	Clips.....	Clips .....		
14	4				9893-0616-16	Skruv.....	Screw.....		
15	1				1134-5647-01	Innerskärm-vä.....	Inner fender-LH .....		
16	3				9945-0816-16	Skruv.....	Screw.....		
17	3				9699-0056-02	Planbricka .....	Flat washer .....		
18	1				9893-0616-16	Skruv.....	Screw.....		
19	1				1134-5647-02	Innerskärm-hö.....	Inner fender-RH .....		
21	3				9945-0816-16	Skruv.....	Screw.....		
22	3				9699-0056-02	Planbricka .....	Flat washer .....		



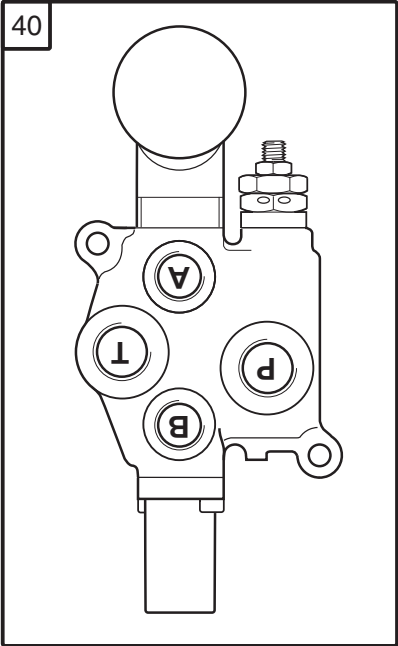


Utgåva Issue 2014-11		Bildnr Picture No 1791C		PARK PRO 4WD RAM		PARK PRO 4 WD FRAME		Sida Page 8	
Pos. Fig.	Antal/Quantity				Art nr Part No	Benämning	Description	Sats Kit	Anmärkning Notes
	6269	6270	6276						
1	1				1137-0390-01	Ram-främre.....	Frame-front .....		Rak/straight 90°
2	1				1137-1119-01	Midjegaffel .....	Clevis .....		
3	1				1134-0031-00	Ledaxelstopp.....	Pivot shaft stop.....		
4	1				9595-0262-00	Spännstift.....	Locating pin		
5A	1				9501-0500-00	Smörjnippel .....	Grease joint .....		
5B	1				9501-0504-01	Smörjnippel .....	Grease joint .....		
6	1				1134-5953-01	Ram-bakre .....	Frame-rear.....		
7	2				9547-0001-00	Ledlager .....	Bearing .....		
8	1				1134-5705-01	Distans .....	Spacer.....		
9	2				9501-0500-00	Smörjnippel .....	Grease joint .....		
10	1				1134-5988-01	Centrumaxel .....	Centre shaft .....		
11	1				9699-0035-02	Planbricka.....	Flat washer .....		
12	2				9959-1025-16	Skruv.....	Screw.....		
14	1				1134-5676-01	Stötfångare.....	Bumper.....		
15	2				1134-0240-00	Ansatssskruv .....	Shoulder screw.....		
16	2				1134-4242-01	Distansbricka .....	Spacer washer .....		
17	2				9665-0002-00	Brickfjäder .....	Bowed washer .....		
18	2				9747-0831-02	Mutter .....	Lock nut .....		
19	2				9943-0516-16	Skruv.....	Screw.....		
20	2				1134-4100-01	Täckpropp.....	Plug .....		
30	1				1134-6586-01	Durk.....	Floor plate .....		
31	1				1134-6372-04	Durkmatta .....	Floor mat.....		
32	2				9893-0616-16	Skruv.....	Screw.....		

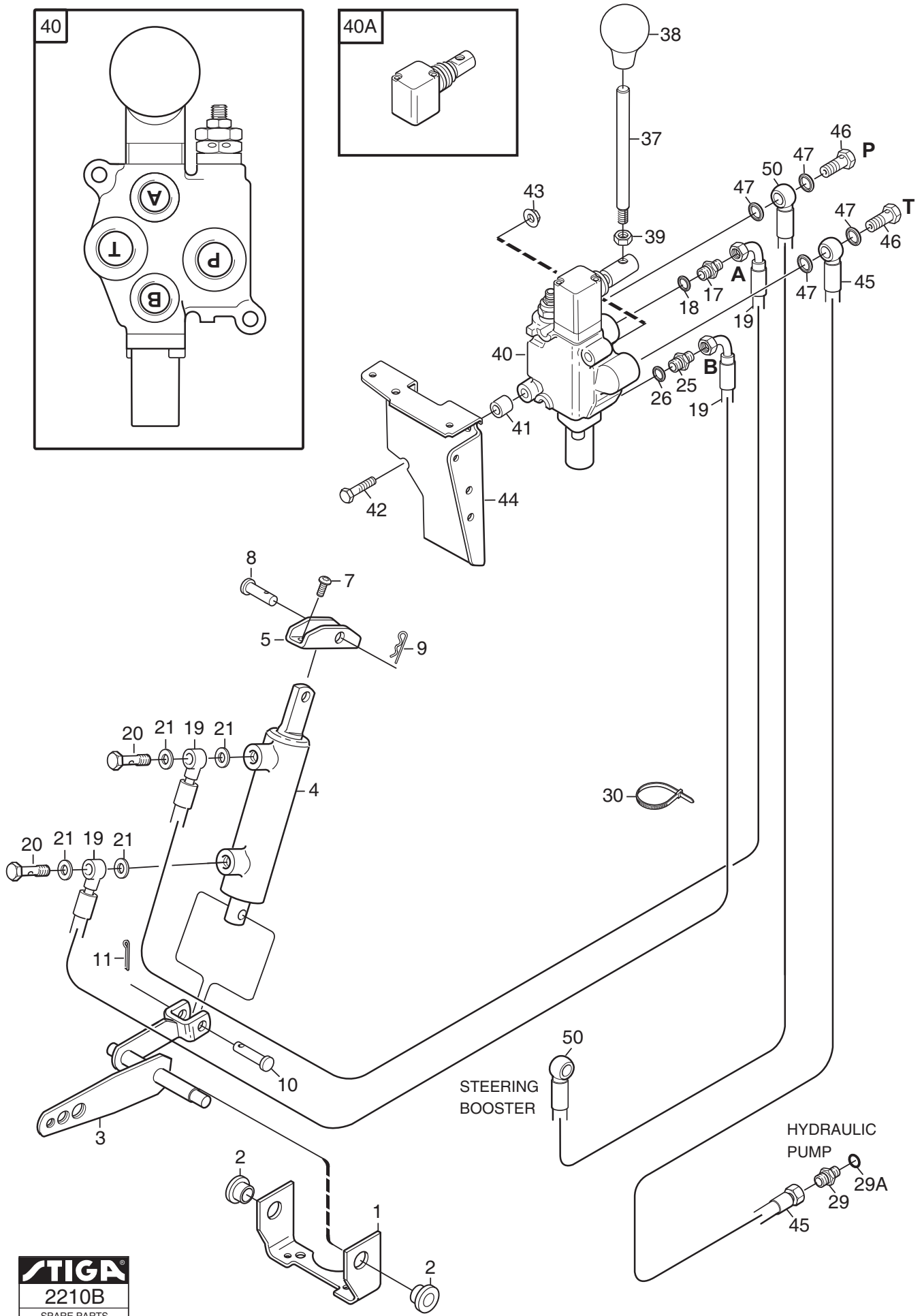
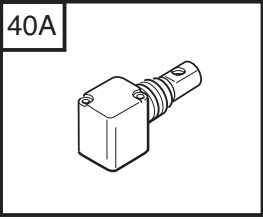


Utgåva Issue 2014-11		Bildnr Picture No 1792B		PARK PRO 4WD PEDALLYFT		PARK PRO 4 WD PEDAL LIFT		Sida Page 10	
Pos. Fig.	Antal/Quantity				Art nr Part No	Benämning	Description	Sats Kit	Anmärkning Notes
	6269	6270							
1	1				1134-4117-01	Fäste.....	Bracket .....		
2	2				1134-2684-01	Lager.....	Bearing .....		
3	1				1134-4945-01	Lyftspärr kpl .....	Lift catch assy .....		
4	1				9404-0027-01	O-ring .....	O-ring .....		
5	1				9650-0039-04	Seegersäkring .....	Lock ring .....		
6	1				9595-0276-01	Spännstift.....	Locating pin .....		
7	1				9997-0640-12	Skruv.....	Screw.....		
8	1				9747-0631-02	Låsmutter.....	Lock nut .....		
9	1				9897-0820-16	Skruv.....	Screw.....		
10	1				9747-0831-02	Mutter .....	Lock nut .....		
11A	1				1137-0109-01	Lyftarm .....	Lift arm .....		
12	2				1134-0240-00	Ansattsskruv .....	Shoulder screw.....		
13	1				1134-4938-01	Lyftpedal.....	Lift pedal .....		
14	2				9997-0625-16	Skruv.....	Screw.....		
15	2				9739-0631-22	Mutter .....	Nut.....		
16	1				4231-0013-00	Fjäder.....	Spring.....		

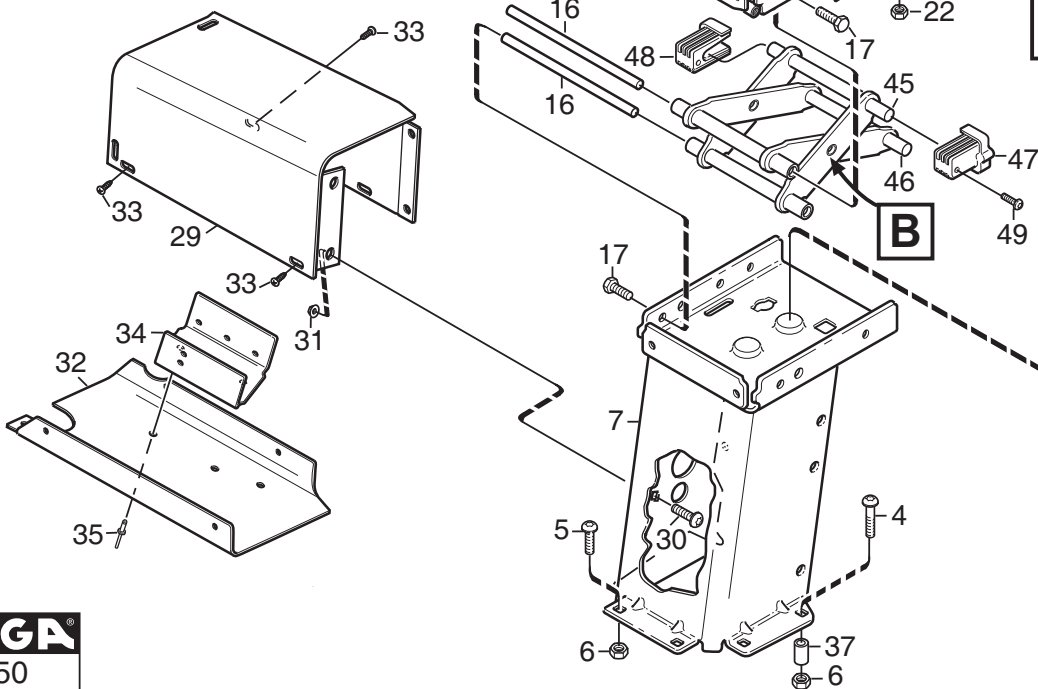
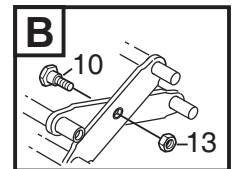
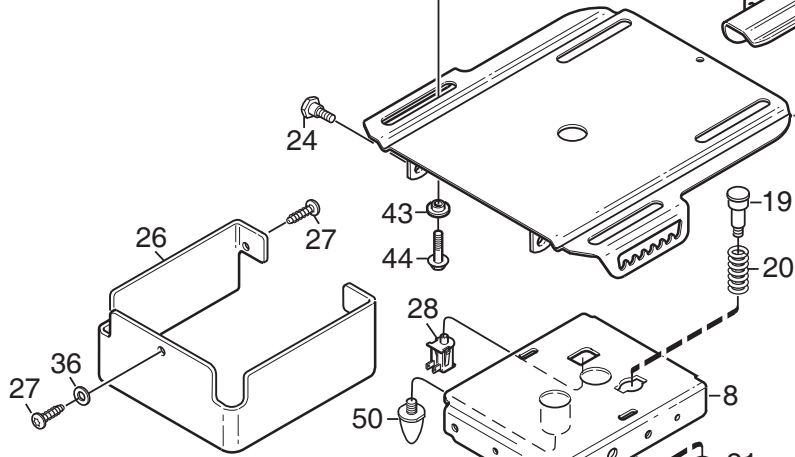
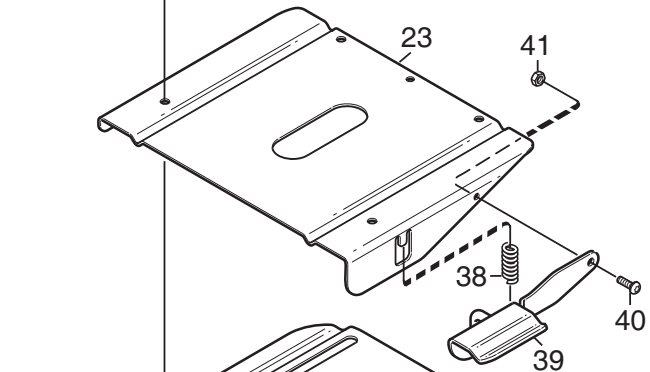
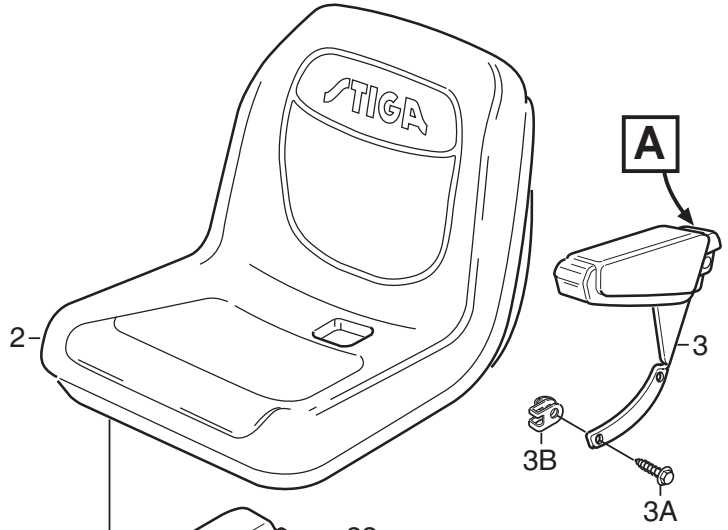
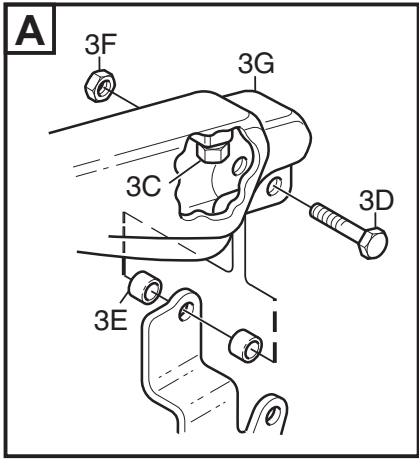
40



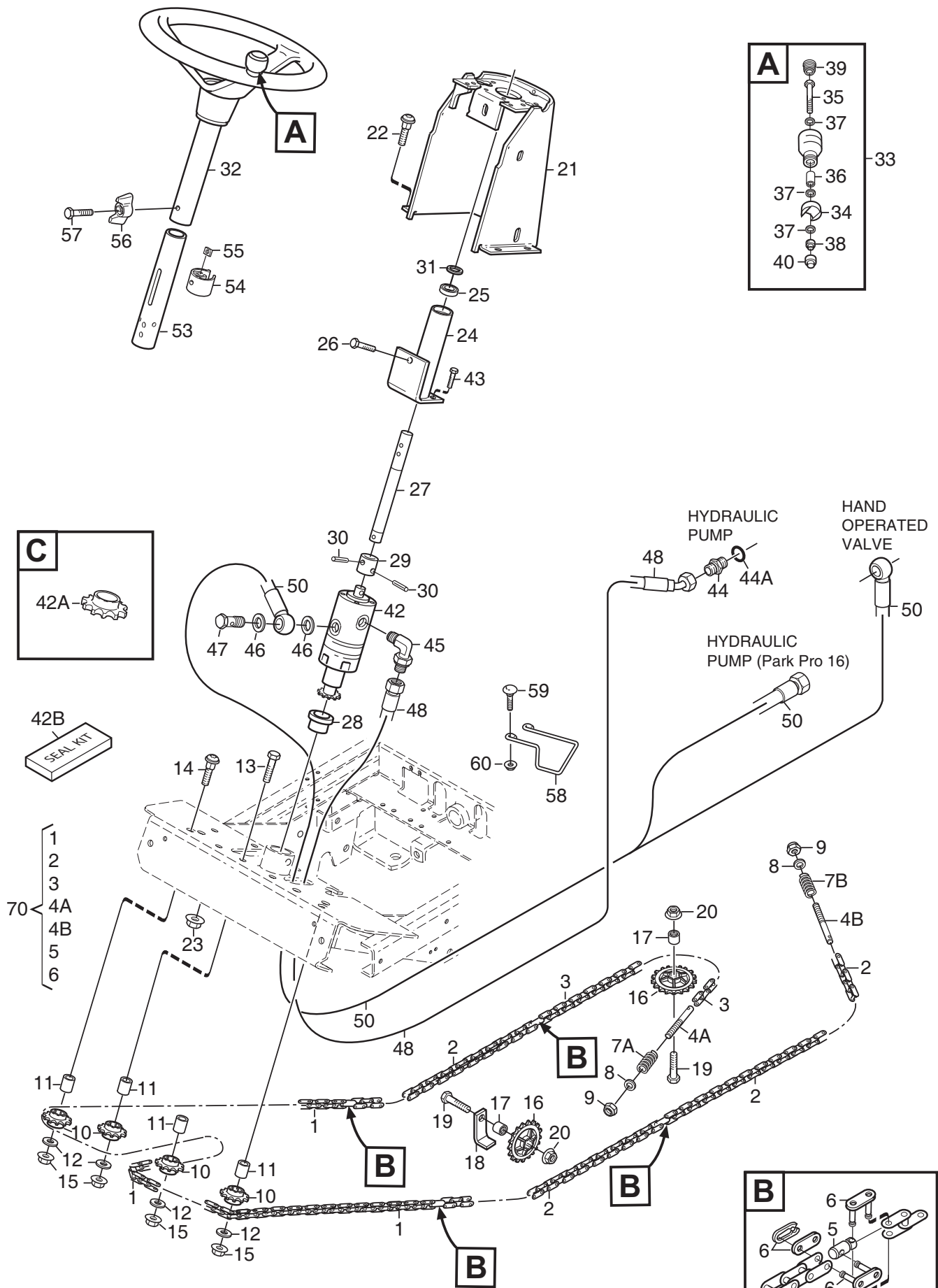
40A



Utgåva Issue 2014-11		Bildnr Picture No 2210B		PARK PRO 4WD HYDRAULLYFT		PARK PRO 4 WD HYDRAULIC LIFT		Sida Page 12	
Pos. Fig.	Antal/Quantity				Art nr Part No	Benämning	Description	Sats Kit	Anmärkning Notes
	6276								
1	1				1134-4117-01	Fäste.....	Bracket .....		
2	2				1134-2684-01	Lager.....	Bearing .....		
3	1				1137-0039-01	Lyftarm .....	Lift lever.....		
4	1				1137-0071-01	Hydraulcylinder.....	Hydraulic cylinder .....		
5	1				1134-4815-01	Cylinderfäste.....	Cylinder bracket.....		
7	2				9893-0616-16	Skruv.....	Screw.....		
8	1				1134-4816-01	Sprint .....	Pin .....		
9	1				9598-0002-02	Låsnål .....	Pin lock .....		
10	1				1134-4817-01	Kolvstångssprint.....	Pin .....		
11	1				9599-0054-02	Saxpinne .....	Cotter pin .....		
17	1				1134-4824-01	Adapter .....	Adapter.....		1/4" x 1/8"
18	1				1134-4948-01	Tredobricka.....	Seal washer .....		1/4"
19	2				1137-0193-01	Hydraulslang.....	Hydraulic tube.....		L = 1470
20	2				1134-4826-01	Banjoskruv.....	Banjo bolt.....		1/8"
21	4				1134-4947-01	Kopparbricka .....	Copper washer .....		
25	1				1134-4824-01	Adapter .....	Adapter.....		1/4" x 1/8"
26	1				1134-4948-01	Tredobricka.....	Seal washer .....		1/4"
29	1				1134-4282-01	Hydraulnippel.....	Hydraulic nipple.....		9/16" x 9/16"
29A	1				9404-0028-01	O-ring .....	O-ring .....		
30	4				9579-0003-00	Buntband.....	Cable holder .....		
37	1				1134-6345-01	Spak .....	Lever .....		
38	1				1134-2551-01	Reglageknopp.....	Knob.....		
39	1				9739-0831-22	Mutter .....	Nut.....		
40	1				1134-7743-01	Handspaksventil .....	Hand operated valve .....		
40A	1				1139-2100-01	Fäste för spak.....	Lever bracket .....		
41	2				1134-6364-01	Distans .....	Spacer .....		
42	2				9997-0645-12	Skruv.....	Screw.....		
43	2				9739-0631-22	Mutter .....	Nut.....		
44	1				1134-6328-01	Frontfäste .....	Panel bracket-front.....		
45	1				1137-0197-01	Hydraulslang.....	Hydraulic tube.....		L = 810
46	2				1134-6323-01	Banjobult .....	Banjo bolt.....		
47	4				1134-4948-02	Tredobricka.....	Tredo washer.....		
50	1				1137-0216-01	Hydraulslang.....	Hydraulic tube.....		L = 1320

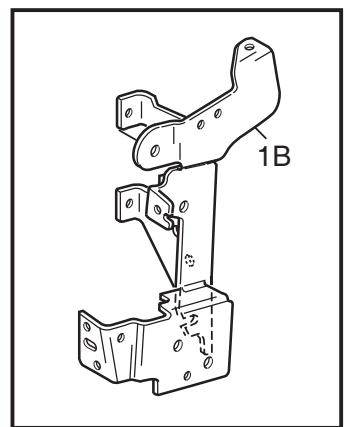
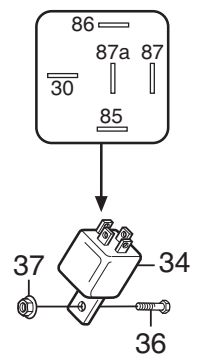
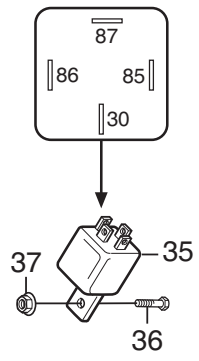
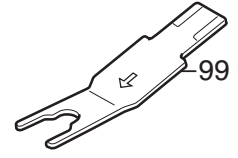
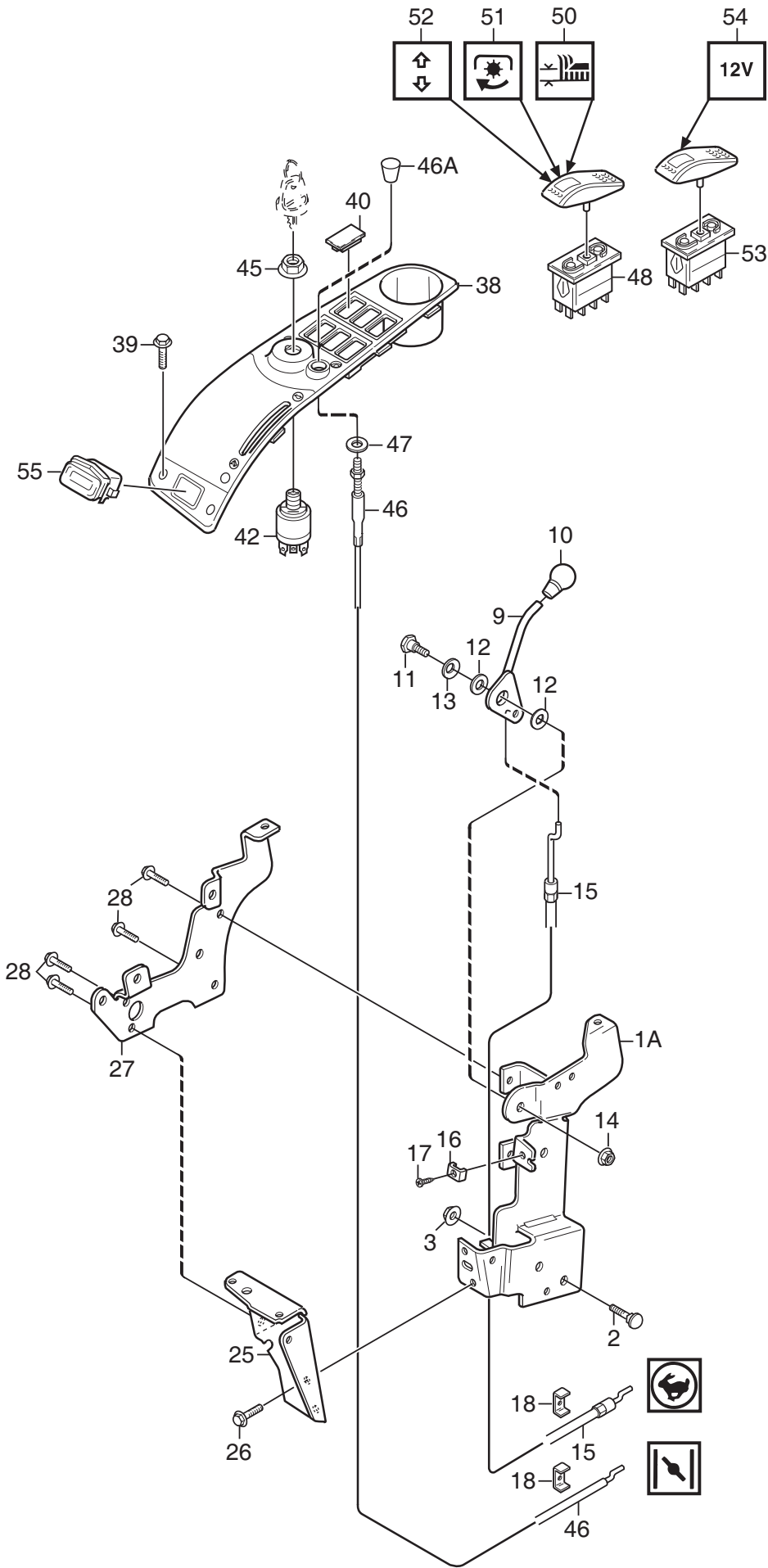


Utgåva Issue		Bildnr Picture No		PARK PRO 4WD SITS		PARK PRO 4 WD SEAT		Sida Page	
2014-11		2750						14	
Pos. Fig.	Antal/Quantity			Art nr Part No	Benämning	Description	Sats Kit	Anmärkning Notes	
	6269	6270 6276							
2	1	1		1134-7830-01	Sits .....	Seat.....			
3		1		1134-7831-01	Armstöd kpl.....	Arm rests assy.....			
3A		6		1139-0010-01	Skruv.....	Tap screw.....			
3B		6		1139-0011-01	Mutter .....	Speed nut.....			
3C		2		9988-3713-16	Skruv.....	Screw.....			
3D		2		9997-1045-12	Skruv.....	Screw.....			
3E		4		1134-5094-01	Distans .....	Spacer.....			
3F		2		9747-1031-02	Låsmutter.....	Lock nut.....			
3G		2		1134-5879-01	Armstödsdyna.....	Arm rest pad.....			
4	2	2		9897-0880-12	Skruv.....	Screw.....		L = 80 mm	
5	4	4		9897-0820-16	Skruv.....	Screw.....		L = 20 mm	
6	6	6		9747-0831-02	Mutter .....	Lock nut.....			
7	1	1		1137-0057-01	Sitskonsol .....	Seat bracket.....			
8	1	1		1137-0058-01	Platta-övre.....	Plate-upper.....			
10	2	2		1134-0240-00	Ansatssskruv .....	Shoulder screw.....			
13	2	2		9747-0831-02	Mutter .....	Lock nut.....			
16	2	2		1137-0060-01	Axel .....	Shaft.....			
17	4	4		9958-0820-16	Skruv.....	Screw.....			
18	2	2		1134-4160-01	Fjäder.....	Seat spring.....			
19	1	1		1134-4153-01	Tryckpinne.....	Push pin.....			
20	1	1		1134-4159-01	Fjäder.....	Spring.....			
21	1	1		9699-0056-02	Planbricka.....	Flat washer.....			
22	1	1		9747-0831-02	Mutter .....	Lock nut.....			
23	1	1		1134-6090-01	Glidplatta.....	Slide plate.....			
24	2	2		1134-0240-00	Ansatssskruv .....	Shoulder screw.....			
26	1	1		1137-0038-01	Svep .....	Cover.....			
27	3	3		9838-9516-12	Skruv.....	Screw.....			
28	1	1		1134-3156-01	Brytare (svart).....	Switch (black).....			
29	1	1		1134-3990-01	Armsvep .....	Attachment-side panel.....			
30	2	2		9897-0820-16	Skruv.....	Screw.....			
31	2	2		9739-0831-22	Mutter .....	Nut.....			
32	1	1		1134-4130-01	Lock-undre .....	Cover-lower.....			
33	4	4		9840-8013-16	Skruv.....	Screw.....			
34	1	1		1134-4135-01	Relåhållare.....	Relay holder.....			
35	2	2		9632-0522-00	Popnit.....	Pop rivet.....			
36	1	1		9699-0087-02	Planbricka.....	Flat washer.....			
37	2	2		1134-1565-08	Distans .....	Spacer.....			
38	1	1		1134-3262-01	Tryckfjäder .....	Compression spring.....			
39	1	1		1134-6073-01	Handtag.....	Handle.....			
40	1	1		9893-0616-16	Skruv.....	Screw.....			
41	1	1		9747-0631-02	Låsmutter.....	Lock nut.....			
42	1	1		1137-0055-01	Glidplatta-undre.....	Slide plate-lower.....			
43	4	4		1134-6078-01	Ansatsbricka.....	Flange washer.....			
44	4	4		9959-0820-16	Skruv.....	Screw.....			
45	1	1		1137-0031-01	Länk .....	Link.....			
46	1	1		1137-0032-01	Länk .....	Link.....			
47	2	2		1137-0033-01	Kloss .....	Block.....			
48	2	2		1137-0033-02	Kloss .....	Block.....			
49	4	4		9838-9516-12	Skruv.....	Screw.....			
50	1	1		1137-0064-01	Dämpare .....	Rubber cone.....			

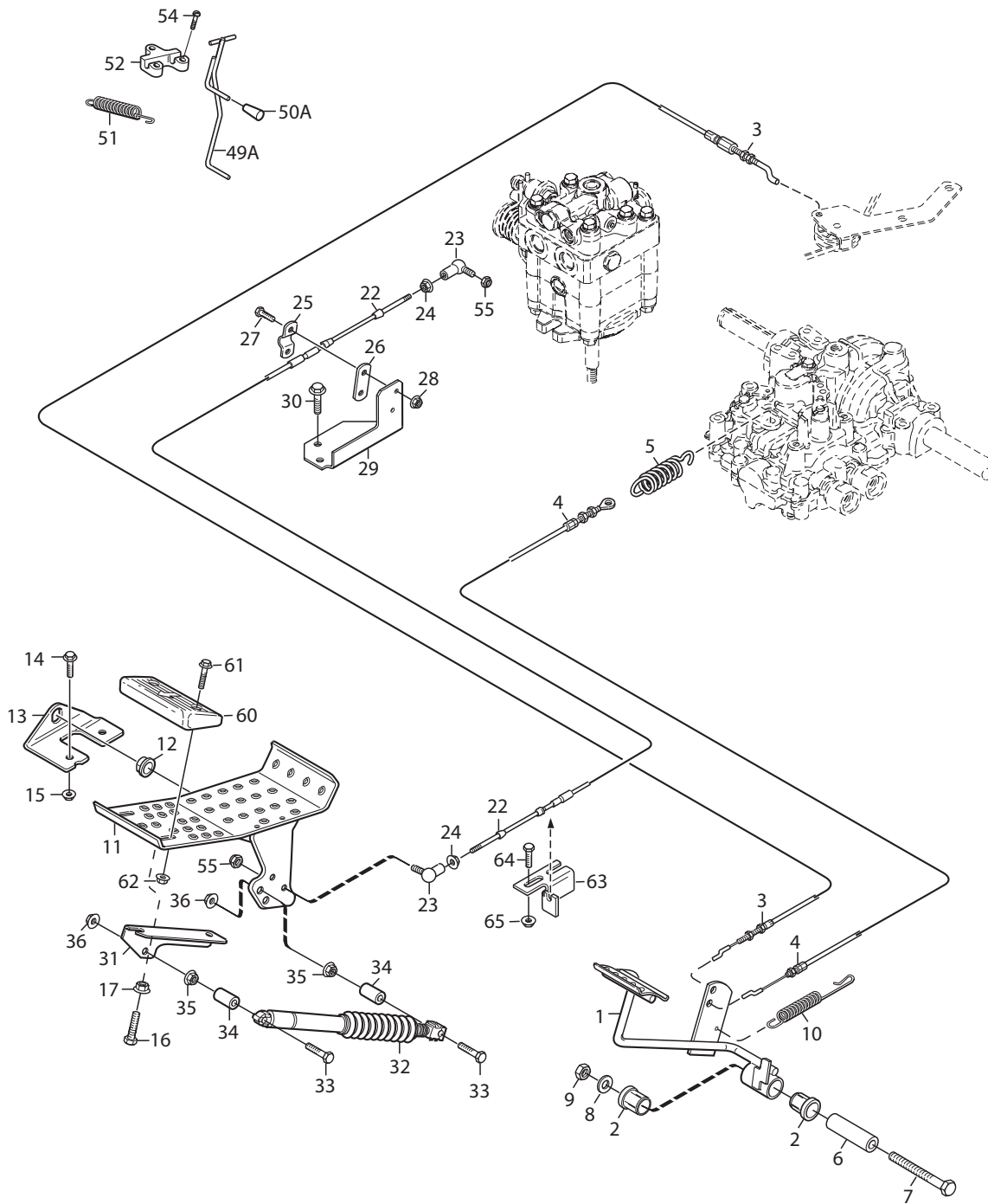




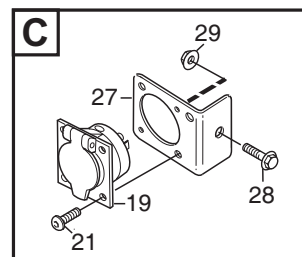
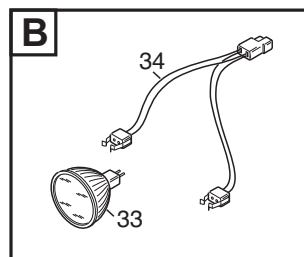
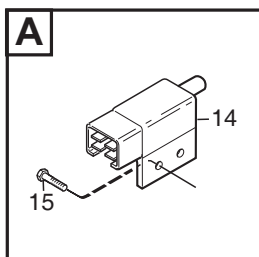
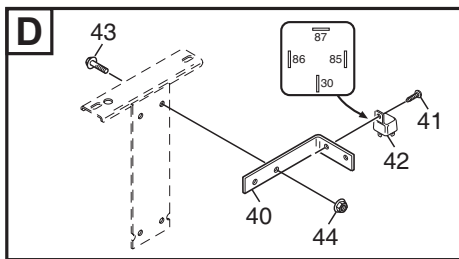
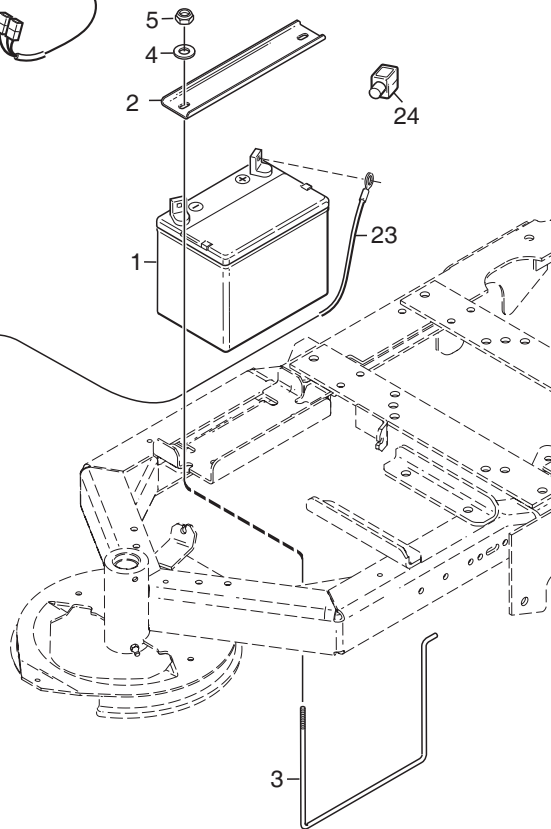
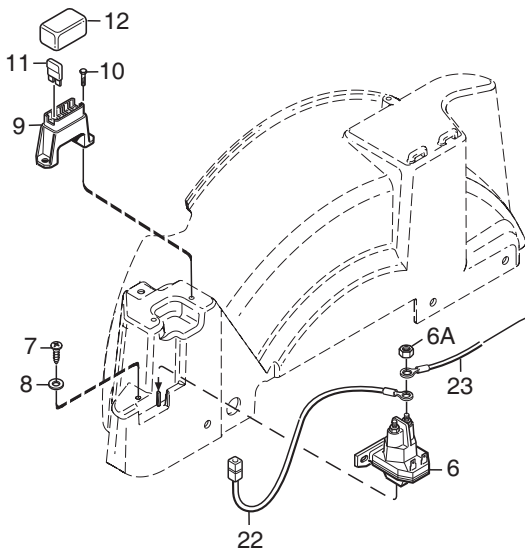
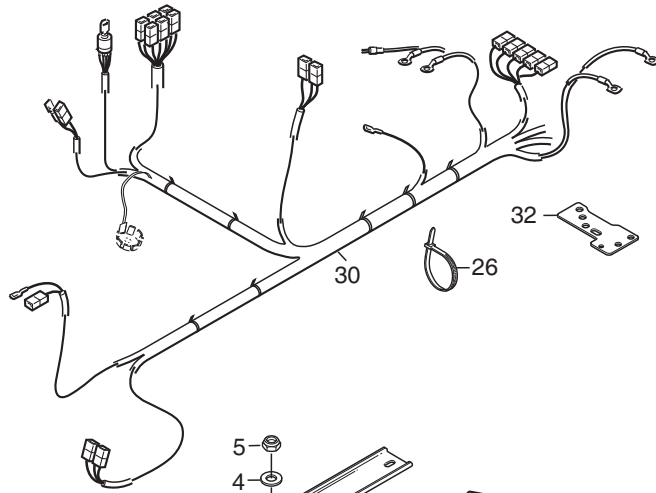
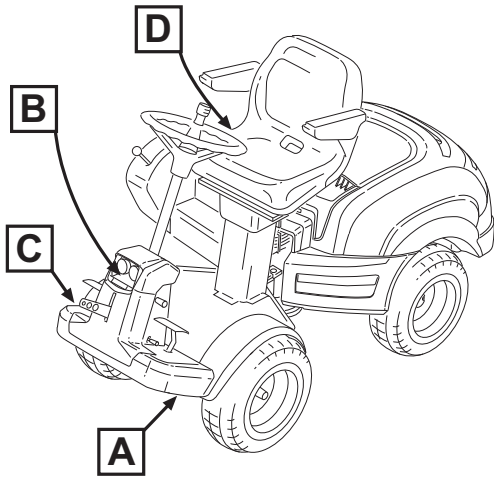
Utgåva Issue 2014-11		Bildnr Picture No 2213D		PARK PRO 4WD STYRNING		PARK PRO 4 WD STEERING		Sida Page 16	
Pos. Fig.	Antal/Quantity			Art nr Part No	Benämning	Description	Sats Kit	Anmärkning Notes	
	6270 6272	6269							
1	1	1		1134-6374-06	Kedja.....	Chain .....		83 länk	
2	3	3		1134-6374-02	Kedja.....	Chain .....		41 länk	
3	1	1		1134-6374-04	Kedja.....	Chain .....		45 länk	
4	1	1		1134-3550-01	Ändnippel .....	End nipple .....		L = 110 mm	
4	1	1		1134-3550-02	Ändnippel .....	End nipple .....		L = 90 mm	
5	4	4		1134-3565-01	Skarvnippel.....	Connection nipple .....			
6	10	10		1134-2824-02	Kedjelås .....	Chain lock .....			
7A	1	1		1134-3817-01	Tryckfjäder .....	Compression spring .....		L = 58 mm	
7B	1	1		1134-3817-02	Tryckfjäder .....	Compression spring .....		L = 33 mm	
8	2	2		9699-0090-02	Planbricka.....	Flat washer .....			
9	2	2		9747-0831-02	Mutter .....	Lock nut .....			
10	4	4		1134-2816-01	Kedjehjul .....	Sprocket .....			
11	4	4		1134-0041-02	Linhjulshylsa .....	Idler wheel bush.....			
12	4	4		9699-0035-02	Planbricka.....	Flat washer .....			
13	2	2		9997-1050-16	Skruv.....	Screw.....			
14	2	2		9897-1040-12	Skruv.....	Screw.....			
15	4	4		9739-1031-22	Mutter .....	Nut.....			
16	3	3		1134-3547-01	Kedjehjul .....	Sprocket .....			
17	3	3		1134-0041-01	Linhjulshylsa .....	Bushing .....			
18	2	2		1134-0046-00	Linhållare.....	Wire clamp .....			
19	3	3		9997-1030-16	Skruv.....	Screw.....			
20	3	3		9739-1031-22	Mutter .....	Nut.....			
21	1	1		1137-0066-01	Styrkonsol.....	Steering bracket.....			
22	4	4		9897-0820-16	Skruv.....	Screw.....			
23	4	4		9739-0831-22	Mutter .....	Nut.....			
24	1	1		1137-0044-01	Rattrör-nedre.....	Steering tube-lower.....			
25	1	1		9549-0017-00	Kullager .....	Ball bearing.....			
26	1	1		9945-0816-16	Skruv.....	Screw.....			
27	1	1		1137-0045-01	Rattstång .....	Steering rod .....			
28	1	1		1134-4114-01	Bussning .....	Bushing .....			
29	1	1		1134-4118-01	Koppling .....	Coupling.....			
30	2	2		9595-0256-01	Spännstift.....	Pin .....			
31	1	1		9695-0011-00	Bricka .....	Washer .....			
32	1	1		1134-5173-02	Ratt kpl .....	Steering wheel assy.....			
33	1	1		1134-3769-01	Styrknopp kpl .....	Steering wheel button.....			
34	1	1		1134-3752-01	Knoppfäste.....	Knob holder .....			
35	1	1		9997-0870-16	Skruv.....	Screw.....			
36	1	1		1134-1565-06	Distans .....	Spacer .....			
37	3	3		9699-0090-02	Planbricka.....	Flat washer .....			
38	1	1		9747-0831-02	Mutter .....	Lock nut .....			
39	1	1		9403-0043-70	Plugg.....	Plug .....			
40	1	1		9403-0113-00	Mutterhatt .....	Nut cap .....			
42	1	1		1134-6420-01	Momentförstärkare .....	Steering booster.....		Inkl. pos 42A	
42A	1	1		1139-2106-01	Drev .....	Pinion .....			
42B	1	1		1139-2074-01	Reparationsrats .....	Seal kit .....			
43	3	3		9939-0612-16	Skruv.....	Screw.....			
44	1	1		1134-4282-01	Hydraulnippel.....	Hydraulic nipple.....		9/16" x 9/16"	
44A	1	1		9404-0028-01	O-ring .....	O-ring.....			
45	1	1		1134-7073-01	Vinkeladapter.....	Hydraulic coupling.....			
46	2	2		1134-4948-02	Tredobricka.....	Tredo washer.....			
47	1	1		1134-6323-01	Banjobult .....	Banjo bolt.....			
48	1	1		1137-0196-01	Hydraulslang.....	Hydraulic tube.....		L = 1250	
50	1	1		1137-0197-03	Hydraulslang.....	Hydraulic tube.....		L = 1640	
50	1	1		1137-0216-01	Hydraulslang.....	Hydraulic tube.....		L = 1320	
53	1	1		1137-0070-01	Rattrör-inre kpl .....	Steering tube-inner.....			
54	1	1		1134-5177-01	Slid.....	Slide .....			
55	1	1		9710-0631-12	Fyrkantmutter .....	Square nut .....			
56	1	1		1134-4481-02	Vingmutter.....	Wing nut.....			
57	1	1		9997-0630-12	Skruv.....	Screw.....			
58	1	1		1137-0112-01	Bygel.....	Guide.....			
59	2	2		9897-0616-16	Vagnsbult .....	Carriage bolt.....			
60	2	2		9739-0631-22	Mutter .....	Nut.....			
70	1	1		1134-6379-02	Styrkedja kpl.....	Steering chain assy.....		Inkl. pos 1 - 6	



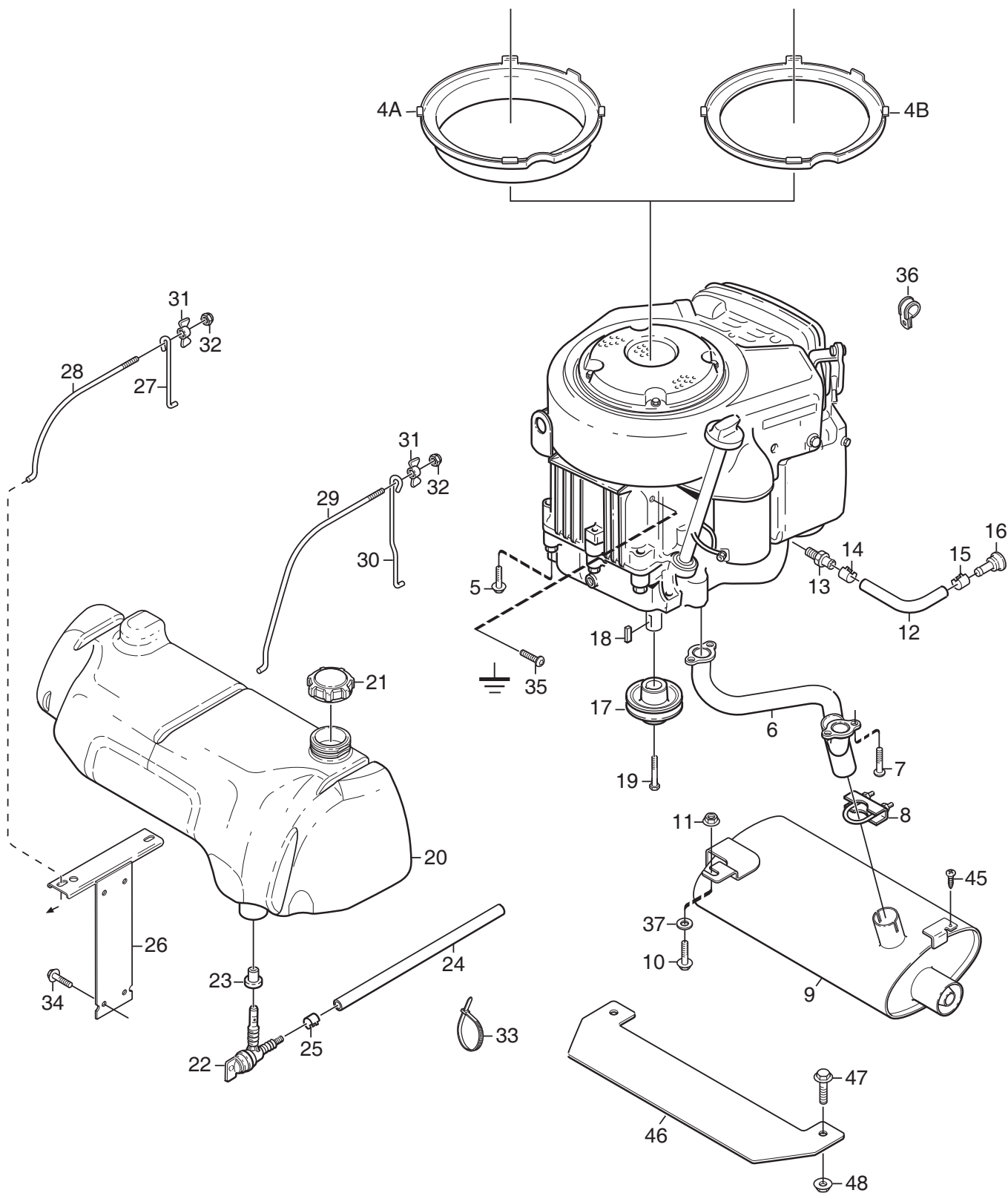
Utgåva Issue 2014-11		Bildnr Picture No 1798D		PARK PRO 4WD HANDREGLAGE		PARK PRO 4 WD HAND CONTROLS		Sida Page 18	
Pos. Fig.	Antal/Quantity			Art nr Part No	Benämning	Description	Sats Kit	Anmärkning Notes	
	6269	6270 6276							
1A	1			1134-4156-01	Vinkelhållare.....	Panel bracket-inner .....			
1B		1		1134-6324-01	Vinkelhållare.....	Panel bracket.....			
2	2	2		9897-0820-16	Skruv.....	Screw.....			
3	2	2		9739-0831-22	Mutter .....	Nut.....			
9	1	1		1134-4077-01	Gasreglage .....	Throttle control .....			
10	1	1		1134-4078-01	Knopp .....	Knob.....			
11	1	1		1134-0240-00	Ansatsskruv .....	Shoulder screw.....			
12	2	2		1134-4242-01	Distansbricka .....	Spacer washer .....			
13	1	1		9694-0001-00	Fjäderbricka .....	Washer.....			
14	1	1		9747-0831-02	Mutter .....	Lock nut .....			
15	1	1		1137-0063-01	Gaswire.....	Throttle cable .....			
16	1	1		1137-0115-01	Överfall.....	Cable clamp .....			
17	1	1		9943-0516-16	Skruv.....	Screw.....			
18	2	2		1137-0115-01	Överfall.....	Cable clamp .....			
25	1	1		1134-6328-01	Frontfäste.....	Panel bracket-front.....			
26	2	2		9893-0616-16	Skruv.....	Screw.....			
27	1	1		1134-6327-01	Frontplåt .....	Front plate .....			
28	4	4		9893-0616-16	Skruv.....	Screw.....			
34	1	1		1134-2871-03	Relä.....	Relay .....			
35	2	2		1134-2871-01	Relä.....	Relay .....			
36	3	3		9997-0512-16	Skruv.....	Screw.....			
37	3	3		9739-0531-22	Mutter .....	Nut.....			
38	1			1134-6096-07	Kassett .....	Control panel.....			
38		1		1134-6096-09	Kassett .....	Dashboard .....			
39	4	4		9946-0525-16	Skruv.....	Screw.....			
40	2	2		1134-4129-01	Täckbricka .....	Cover.....			
42	1	1		1134-4093-01	Tändningslås.....	Ignition switch .....			
45	1	1		1134-4749-01	Mutter .....	Nut.....			
46	1	1		1137-0062-01	Chokereglage.....	Choke control.....			
46A	1	1		1134-4338-01	Reglageknopp.....	Control knob .....			
47	2	2		9699-0090-02	Planbricka.....	Flat washer .....			
48	3	3		9400-0282-01	Brytare m.diod.....	Switch w.diode .....			
50	1	1		9400-0280-03	Vippa-höjdställning .....	Cover-height adjust.....			
51	1	1		9400-0280-01	Vippa-kraftuttag.....	Cover-PTO .....			
52	1	1		9400-0280-04	Vippa-redskap bak.....	Cover-rear tools.....			
53	1	1		9400-0283-01	Brytare .....	Switch .....			
54	1	1		9400-0280-05	Vippa-12V .....	Cover-12V.....			
55	1	1		1134-6097-02	Timräknare.....	Hour meter .....			
99	1	1		9400-0290-01	Verktyg f.vippa .....	Tool for cover.....		Tillbehör/Accessory	



Utgåva Issue 2014-11		Bildnr Picture No 2211D		PARK PRO 4WD FOTREGLAGE		PARK PRO 4WD FOOT CONTROLS		Sida Page 20	
Pos. Fig.	Antal/Quantity				Art nr Part No	Benämning	Description	Sats Kit	Anmärkning Notes
	6269	6270	6276						
1	1				1134-5655-01	Broms/kopplingspedal .....	Brake/clutch pedal .....		Sats 4 st/kit of 4
2	1				1134-9024-01	Lager .....	Bearing .....		
3	1				1134-5815-02	Kopplingswire .....	Clutch cable .....		
4	1				1134-6020-01	Bromswire .....	Brake cable .....		
5	1				1134-5989-01	Fjäder .....	Spring .....		
6	1				1134-5677-02	Distans .....	Spacer .....		
7	1				9997-1070-12	Skruv .....	Screw .....		
8	1				9699-0030-02	Planbricka .....	Flat washer .....		
9	1				9739-1031-22	Mutter .....	Nut .....		
10	1				4231-0013-00	Fjäder .....	Spring .....		
11	1				1134-6353-01	Drivpedal .....	Drive pedal .....		
12	2				1134-6313-01	Lager .....	Bearing .....		
13	2				1134-2700-01	Fäste .....	Bracket .....		
14	2				9959-0820-16	Skruv .....	Screw .....		
15	2				9739-0831-22	Mutter .....	Nut .....		
16	1				9997-0835-16	Skruv .....	Screw .....		
17	1				9739-0831-22	Mutter .....	Nut .....		
22	1				1134-2766-08	Reglagewire .....	Control cable .....		
23	2				9570-0001-00	Vinkellänk .....	Elbow link .....		
24	2				9739-0531-22	Mutter .....	Nut .....		
25	1				1134-0266-00	Fästbygel .....	Attaching clamp .....		
26	1				1134-0267-00	Underläggsbleck .....	Clamp plate .....		
27	2				9997-0520-16	Skruv .....	Screw .....		
28	2				9739-0531-22	Mutter .....	Nut .....		
29	1				1134-5689-01	Wirekonsol .....	Cable bracket .....		
30	2				9945-0816-16	Skruv .....	Screw .....		
31	1				1134-3996-01	Fäste .....	Bracket .....		
32	1				1134-4187-01	Dämpare .....	Damper .....		
33	2				9997-0840-12	Skruv .....	Screw .....		
34	2				1134-1565-09	Distans .....	Spacer .....		
35	2				9739-0831-22	Mutter .....	Nut .....		
36	2				9747-0831-02	Mutter .....	Lock nut .....		
49A	1				1134-5353-01	Bromsstång .....	Brake rod .....		
50A	1				1134-2786-01	Plastknopp .....	Plastic knob .....		
51	1				1131-1497-01	Fjäder .....	Spring .....		
52	1				1134-4002-01	Fäste .....	Brake rod attachment .....		
54	3				9838-9516-12	Skruv .....	Screw .....		
55	2				9747-0531-02	Mutter .....	Nut .....		
60	2				1134-6340-02	Fotstöd .....	Foot rest .....		
61	4				9959-0620-16	Skruv .....	Screw .....		
62	4				9739-0631-22	Mutter .....	Nut .....		
63	1				1134-6317-01	Wirefäste .....	Cable holder .....		
64	2				9959-0620-16	Skruv .....	Screw .....		
65	2				9739-0631-22	Mutter .....	Nut .....		



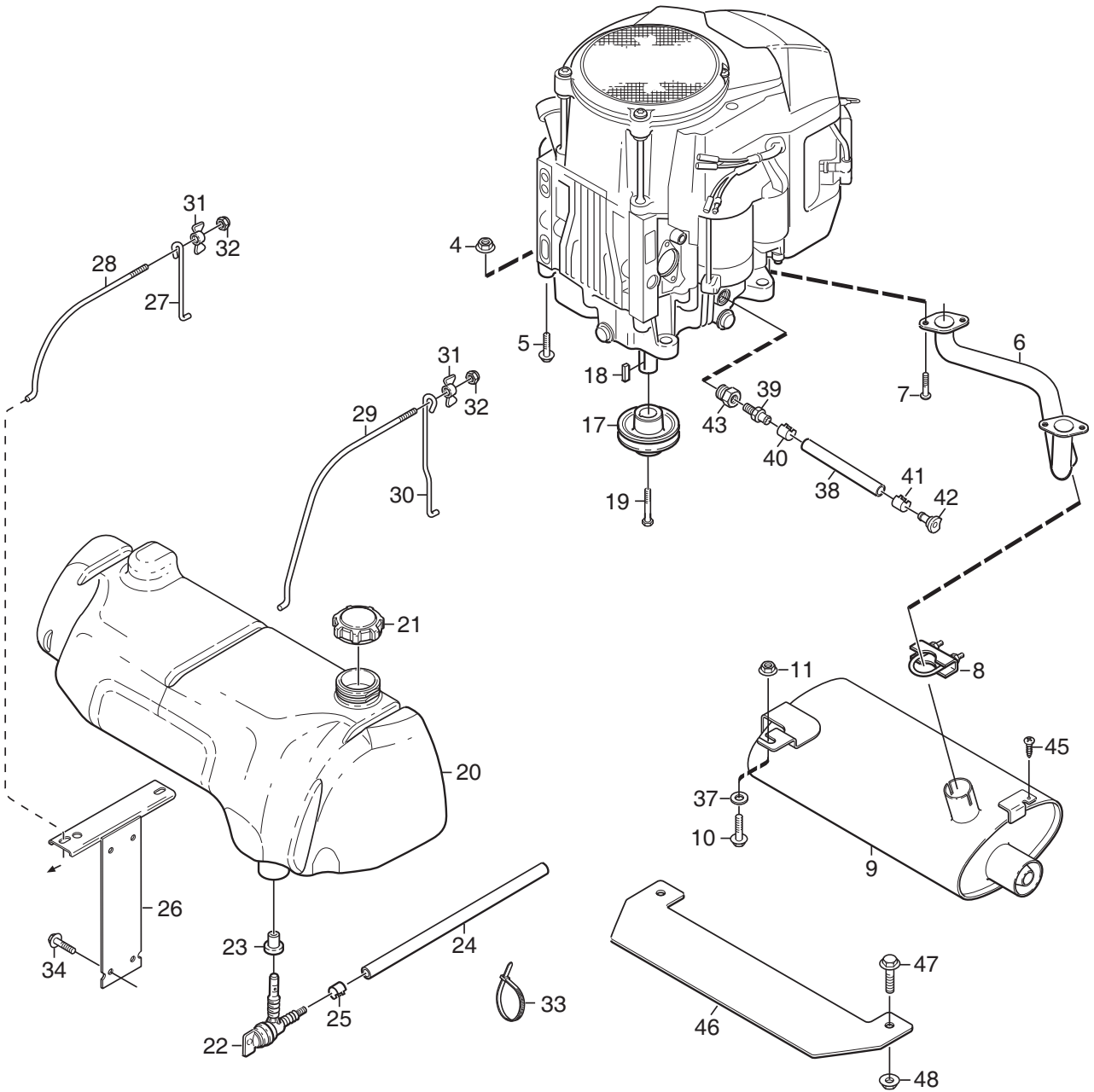
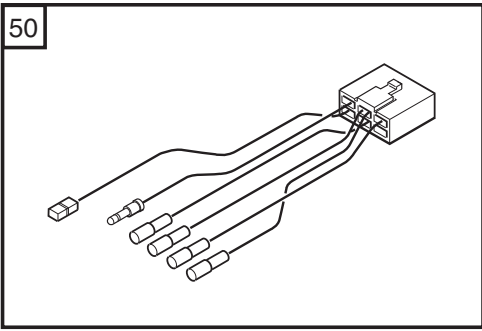
Utgåva Issue 2014-11		Bildnr Picture No 1800E		PARK PRO 4WD ELUTRUSTNING		PARK PRO 4WD EL. EQUIPMENT		Sida Page 22	
Pos. Fig.	Antal/Quantity			Art nr Part No	Benämning	Description	Sats Kit	Anmärkning Notes	
	6269 6270	6276							
1	1	1		1134-5751-01	Batteri .....	Battery .....		12V - 24Ah	
2	1	1		1134-5643-01	Batteriplåt .....	Battery plate .....			
3	1	1		1134-5642-01	Batteribygel .....	Battery loop .....			
4	1	1		9699-0060-02	Planbricka .....	Flat washer .....			
5	1	1		9747-0631-02	Låsmutter .....	Lock nut .....			
6	1	1		1134-2962-01	Solenoid kpl .....	Solenoid assy .....		Inkl. pos 6A	
6A	2	2		9794-5131-02	Mutter .....	Nut .....			
7	1	1		9838-9516-12	Skruv .....	Screw .....			
8	1	1		9699-0060-02	Planbricka .....	Flat washer .....			
9	1	1		1134-3491-01	Säkringshållare .....	Fuse holder .....			
10	2	2		9838-9516-12	Skruv .....	Screw .....			
11	1	1		1134-3496-01	Säkring .....	Fuse .....		10A	
11	1	1		1134-3496-06	Säkring .....	Fuse .....		20A	
11	1	1		1134-3496-07	Säkring .....	Fuse .....		30A	
12	1	1		1134-3631-01	Lock-säkringsdosa .....	Cover-fuse holder .....			
14	1	1		1134-3399-01	Brytare .....	Switch .....			
15	2	2		9943-0516-16	Skruv .....	Screw .....			
19	1	1		1134-7535-01	Honkontakt .....	Female terminal .....			
21	2	2		9840-7716-16	Skruv .....	Screw .....			
22	1	1		1134-4970-01	Kabel .....	Cable .....			
23	1	1		1134-0234-02	Batterikabel ( + ) .....	Battery cable ( + ) .....			
24	1	1		1134-2310-01	Batteriskydd .....	Guard cap .....			
26	8	8		9579-0003-00	Buntband .....	Cable holder .....			
26	2	2		9579-0018-01	Buntband .....	Cable tie .....		L=390	
27	1	1		1137-0075-01	Fäste .....	Bracket .....			
28	1	1		9959-0820-16	Skruv .....	Screw .....			
29	1	1		9739-0831-22	Mutter .....	Nut .....			
30	1			1134-6455-01	Kablage .....	Harness .....		B&S	
30		1		1137-0172-01	Kablage .....	Harness .....		Honda	
32	1	1		1134-6454-01	Jordplåt .....	Ground plate .....			
33	2	2		9400-0358-01	LED-lampa .....	LED-lamp .....			
34	1	1		1134-7505-01	Kablage .....	Harness .....			
40		1		1137-0203-01	Konsol .....	Bracket .....			
41		1		9893-0616-16	Skruv .....	Screw .....			
42		1		1134-2871-01	Relä .....	Relay .....			
43		2		9959-0612-16	Skruv .....	Screw .....			
44		1		9739-0631-22	Mutter .....	Nut .....			



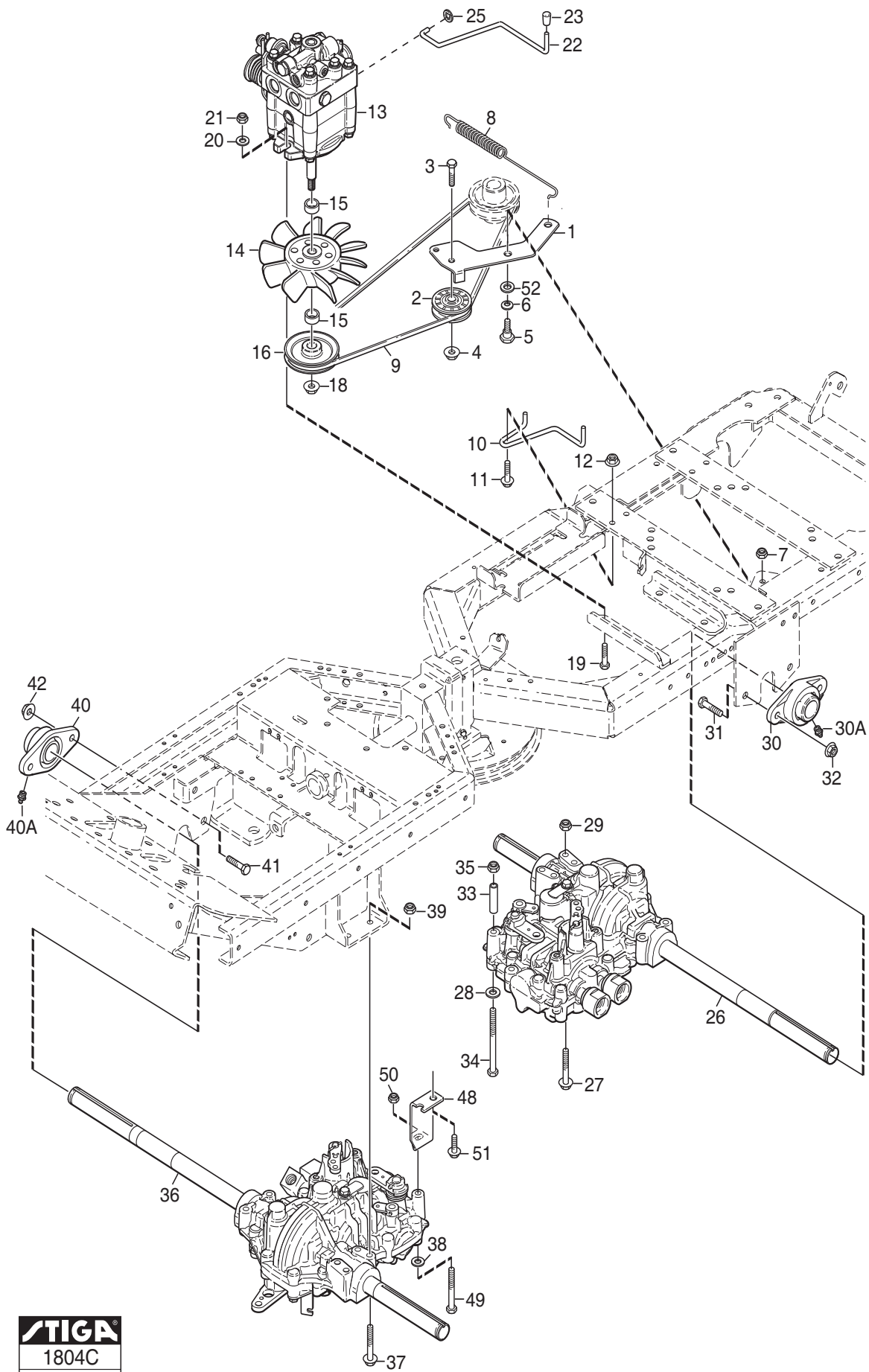


Utgåva Issue 2014-11		Bildnr Picture No 1802C		PARK PRO 4WD MOTOR (Briggs and Stratton)		PARK PRO 4WD ENGINE (Briggs and Stratton)		Sida Page 24	
Pos. Fig.	Antal/Quantity			Art nr Part No	Benämning	Description	Sats Kit	Anmärkning Notes	
	6269	6270							
4A	1			1134-6116-04	Luftkanal.....	Air duct .....		Ø = 200, H = 45 mm Ø = 215, H = 6 mm	
4B		1		1134-6116-01	Luftkanal.....	Air duct .....			
5	4	4		9955-3725-16	Skruv.....	Screw.....			
6	1			1134-5733-01	Grenrör .....	Exhaust pipe.....			
6		1		1137-0083-01	Grenrör .....	Exhaust pipe.....			
7	4	4		9939-0820-16	Skruv.....	Screw.....			
8	1	1		9578-0011-01	Klämma .....	Clamp .....			
9	1	1		1137-0073-01	Ljuddämpare.....	Muffler .....			
10	1	1		9959-0820-16	Skruv.....	Screw.....			
11	1	1		9739-0831-22	Mutter .....	Nut.....			
12	1	1		1134-5827-04	Oljeavtappning kpl .....	Oil drain assy .....		L = 290 mm	
13	1	1		1134-5825-01	Nippel .....	Nipple.....			
14	1	1		9578-0023-04	Slangklämma .....	Hose clamp			
15	1	1		1134-3499-02	Slangklämma .....	Hose clamp			
16	1	1		1134-5826-01	Plugg.....	Plug .....			
17	1	1		1137-0008-01	Motorremskiva .....	Engine belt pulley .....		Ø = 109 mm	
18	1	1		9600-0251-00	Plattkil.....	Key .....			
19	1			9987-5364-12	Skruv.....	Screw.....		L = 64 mm	
19		1		9987-5376-12	Skruv.....	Screw.....		L = 76 mm	
20	1	1		1134-5644-01	Bensintank .....	Fuel tank.....		14 Liter	
21	1	1		1134-5532-01	Tanklock .....	Fuel tank cap.....			
22	1	1		1134-3224-01	Bensinkran .....	Fuel shut-off valve .....			
23	1	1		1134-3225-01	Gummibussning.....	Grommet .....			
24	0,46	0,46		9505-0001-01	Bensinslang (meter).....	Fuel line (metre).....		Per meter	
25	2	2		9578-0023-02	Slangklämma .....	Hose clamp.....			
26	1	1		1134-5615-01	Tankkonsol .....	Tank bracket.....			
27	1	1		1134-5621-01	Tankbygel .....	Tank loop.....			
28	1	1		1134-5622-01	Tankbygel .....	Tank loop.....			
29	1	1		1134-5623-01	Tankbygel .....	Tank loop.....			
30	1	1		1134-5765-01	Tankbygel .....	Tank loop.....			
31	2	2		1134-4481-02	Vingmutter.....	Wing nut.....			
32	2	2		9747-0631-02	Låsmutter.....	Lock nut .....			
33	1	1		9579-0003-00	Buntband.....	Cable holder.....			
34	2	2		9945-0816-16	Skruv.....	Screw.....			
35	1	1		9939-0820-16	Skruv.....	Screw.....			
37	1	1		9699-0056-02	Planbricka.....	Flat washer.....			
45	1	1		9893-0616-16	Skruv.....	Screw.....			
46	1	1		1137-0072-01	Deflektor.....	Deflector .....			
47	2	2		9959-0820-16	Skruv.....	Screw.....			
48	2	2		9739-0831-22	Mutter .....	Nut.....			

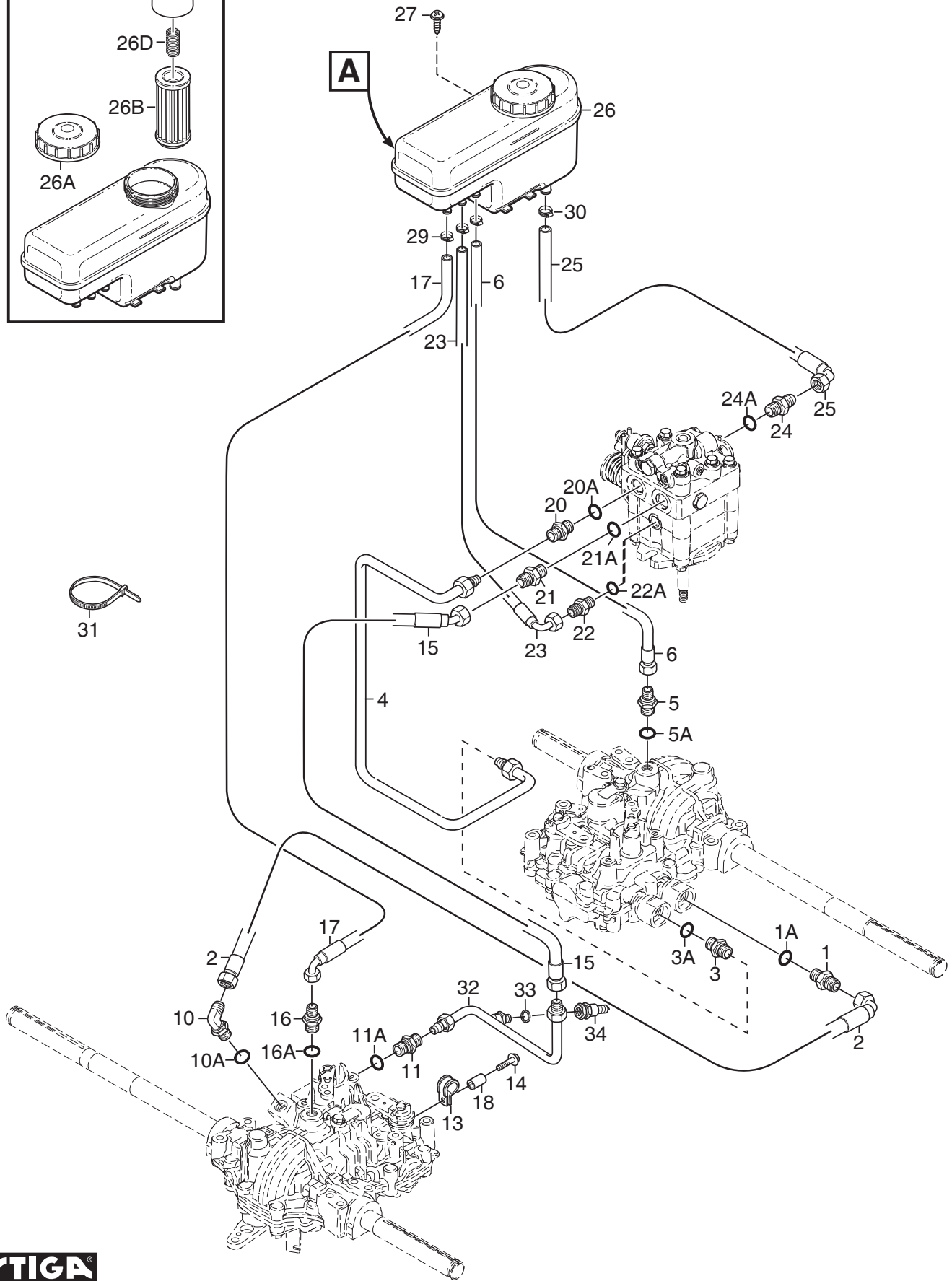
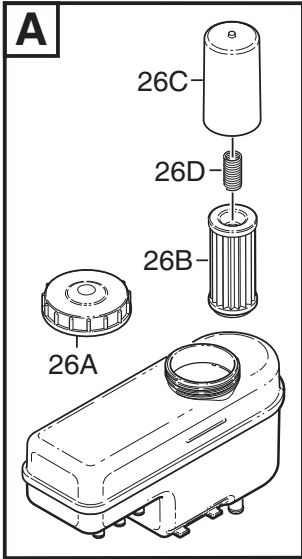
50



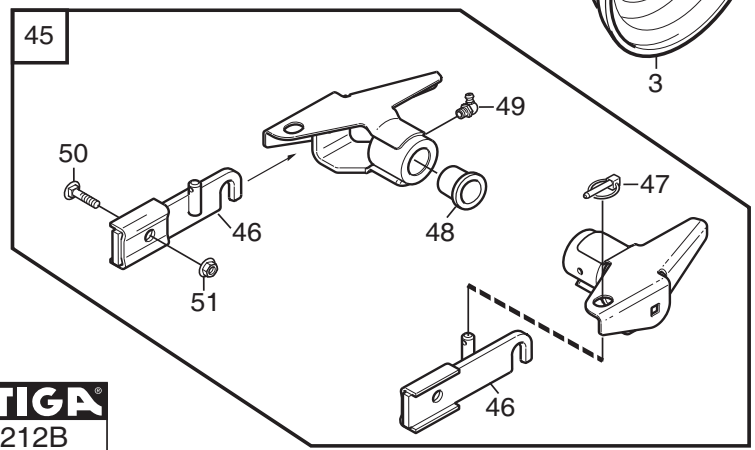
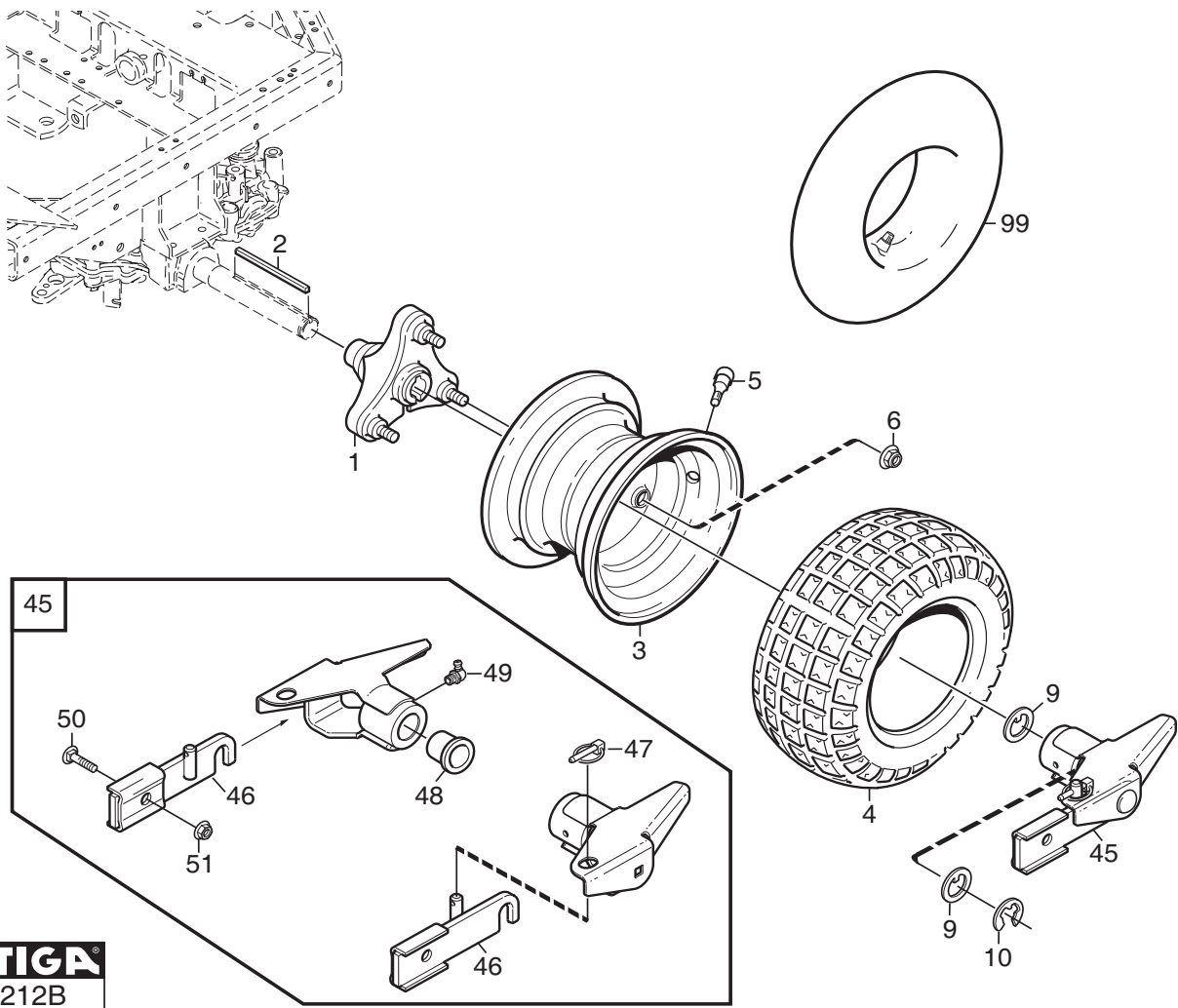
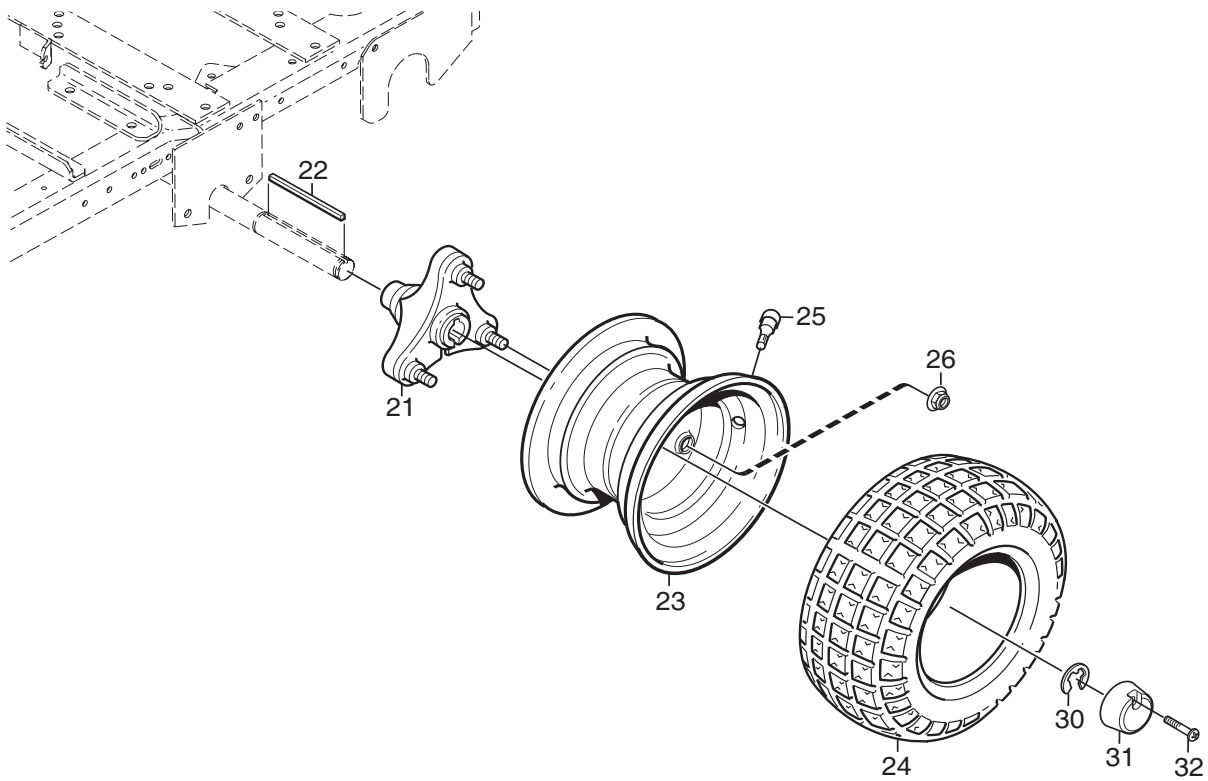
Utgåva Issue 2014-11		Bildnr Picture No 2814		PARK PRO 4WD MOTOR (Honda)		PARK PRO 4WD ENGINE (Honda)		Sida Page 26	
Pos. Fig.	Antal/Quantity				Art nr Part No	Benämning	Description	Sats Kit	Anmärkning Notes
	6276								
4	4				9731-1031-22	Mutter .....	Nut.....		
5	4				9997-1050-16	Skruv.....	Screw.....		
6	1				1137-0178-01	Grenrör .....	Exhaust pipe.....		
7	4				9939-0820-16	Skruv.....	Screw.....		
8	1				084-351-01	Klämma .....	Clamp .....		
9	1				1137-0179-01	Ljuddämpare.....	Muffler .....		
10	1				9959-0820-16	Skruv.....	Screw.....		
11	1				9739-0831-22	Mutter .....	Nut.....		
17	1				1137-0008-01	Motorremskiva .....	Engine belt pulley .....		Ø = 109 mm
18	1				9600-0251-00	Plattkil.....	Key .....		
19	1				9987-5376-12	Skruv.....	Screw.....		
20	1				1134-5644-01	Bensintank .....	Fuel tank.....		14 Liter
21	1				1134-5532-01	Tanklock .....	Fuel tank cap .....		
22	1				1134-3224-01	Bensinkran.....	Fuel shut-off valve .....		
23	1				1134-3225-01	Gummibussning.....	Grommet .....		
24	0,78				9505-0001-01	Bensinslang (meter).....	Fuel line (metre).....		Per meter
25	2				9578-0023-02	Slangklämma .....	Hose clamp.....		
26	1				1134-5615-01	Tankkonsol .....	Tank bracket.....		
27	1				1134-5621-01	Tankbygel .....	Tank loop.....		
28	1				1134-5622-01	Tankbygel .....	Tank loop.....		
29	1				1134-5623-01	Tankbygel .....	Tank loop.....		
30	1				1134-5765-01	Tankbygel .....	Tank loop.....		
31	2				1134-4481-02	Vingmutter.....	Wing nut.....		
32	2				9747-0631-02	Låsmutter.....	Lock nut .....		
33	1				9579-0003-00	Buntband.....	Cable holder .....		
34	2				9945-0816-16	Skruv.....	Screw.....		
35	1				9939-0820-16	Skruv.....	Screw.....		Jord/ground
37	1				9699-0056-02	Planbricka.....	Flat washer.....		
38	1				1134-5827-04	Oljeavtappning kpl .....	Oil drain assy .....		L = 290 mm
39	1				1134-5825-01	Nippel .....	Nipple.....		3/8" NPTF
40	1				9578-0023-04	Slangklämma .....	Hose clamp.....		
41	1				1134-3499-02	Slangklämma .....	Hose clamp.....		
42	1				1134-5826-01	Plugg.....	Plug .....		
43	1				1137-0415-01	Adapter .....	Adapter.....		M20 - 3/8" NPTF
45	1				9893-0616-16	Skruv.....	Screw.....		
46	1				1137-0072-01	Deflektor.....	Deflector .....		
47	2				9959-0820-16	Skruv.....	Screw.....		
48	2				9739-0831-22	Mutter .....	Nut.....		
50	1				1137-0233-01	Adapterkablage.....	Adapter harness.....		



Utgåva Issue 2014-11		Bildnr Picture No 1804C		PARK PRO 4WD TRANSMISSION (mekaniska delar)		PARK PRO 4WD TRANSMISSION (mechanical parts)		Sida Page 28	
Pos. Fig.	Antal/Quantity				Art nr Part No	Benämning	Description	Sats Kit	Anmärkning Notes
	6269	6270	6276						
1	1				1134-5739-01	Spännarm.....	Tension arm.....		
2	1				1134-3459-01	Spännrulle.....	Tension roller.....		
3	1				9997-1030-16	Skruv.....	Screw.....		
4	1				9739-1031-22	Mutter.....	Nut.....		
5	1				1134-0240-00	Ansattsskruv.....	Shoulder screw.....		
6	1				9665-0002-00	Brickfjäder.....	Bowed washer.....		
7	1				9747-0831-02	Mutter.....	Lock nut.....		
8	1				1134-5713-02	Fjäder.....	Spring.....		
9	1				1134-9058-01	Drivrem.....	V-belt.....		=9585-0091-01
10	1				1134-5764-01	Remstyrning.....	Belt guide.....		
11	1				9959-0820-16	Skruv.....	Screw.....		
12	1				9739-0831-22	Mutter.....	Nut.....		
13	1				1134-5700-01	Hydraulpump kpl.....	Hydraulic pump assy.....		Kanzaki KPL 10ALP
14	1				1134-4190-01	Fläkt.....	Fan.....		
15	2				1134-5862-01	Distans.....	Spacer.....		
16	1				1134-5821-01	Remskiva.....	Belt pulley.....		
18	1				9731-1031-22	Mutter.....	Nut.....		
19	2				9997-1040-16	Skruv.....	Screw.....		
20	2				9699-0030-02	Planbricka.....	Flat washer.....		
21	2				9731-1031-22	Mutter.....	Nut.....		
22	1				1134-5763-01	Dragstång.....	Pull rod.....		
23	1				1134-4014-01	Plastknopp.....	Plastic button.....		
25	2				9675-0009-02	Starlock.....	Starlock.....		
26	1				1134-5701-01	Motoraxel-bak.....	Motor shaft-rear.....		Kanzaki KTM 10G
27	2				9960-0860-12	Skruv.....	Screw.....		
28	1				9699-0090-02	Planbricka.....	Flat washer.....		
29	2				9747-0831-02	Mutter.....	Lock nut.....		
30	1				1134-5703-01	Flänslagerenhet.....	Flange bearing.....		
30A	1				9501-0500-00	Smörjnippel.....	Grease joint.....		
31	2				9997-1040-16	Skruv.....	Screw.....		
32	2				9731-1031-22	Mutter.....	Nut.....		
33	1				1134-1565-15	Distans.....	Spacer.....		
34	1				9997-0812-02	Skruv.....	Screw.....		
35	1				9747-0831-02	Mutter.....	Lock nut.....		
36	1				1134-5702-01	Motoraxel-fram.....	Motor shaft-front.....		Kanzaki KTM 10F
37	2				9960-0860-12	Skruv.....	Screw.....		
38	1				9699-0090-02	Planbricka.....	Flat washer.....		
39	2				9747-0831-02	Mutter.....	Lock nut.....		
40	1				1134-5703-01	Flänslagerenhet.....	Flange bearing.....		
40A	1				9501-0500-00	Smörjnippel.....	Grease joint.....		
41	2				9997-1040-16	Skruv.....	Screw.....		
42	2				9731-1031-22	Mutter.....	Nut.....		
48	1				1134-5670-01	Reaktionsstag.....	Strut.....		
49	1				9997-0880-16	Skruv.....	Screw.....		
50	1				9747-0831-02	Mutter.....	Lock nut.....		
51	2				9945-0816-16	Skruv.....	Screw.....		
52	1				1134-4242-01	Distansbricka.....	Spacer washer.....		

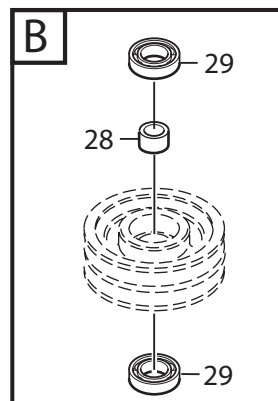
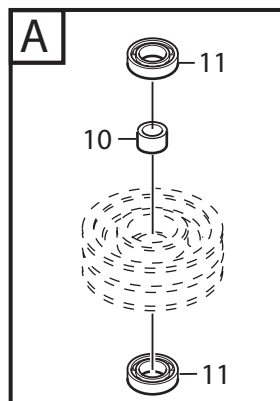
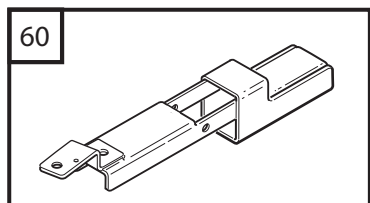
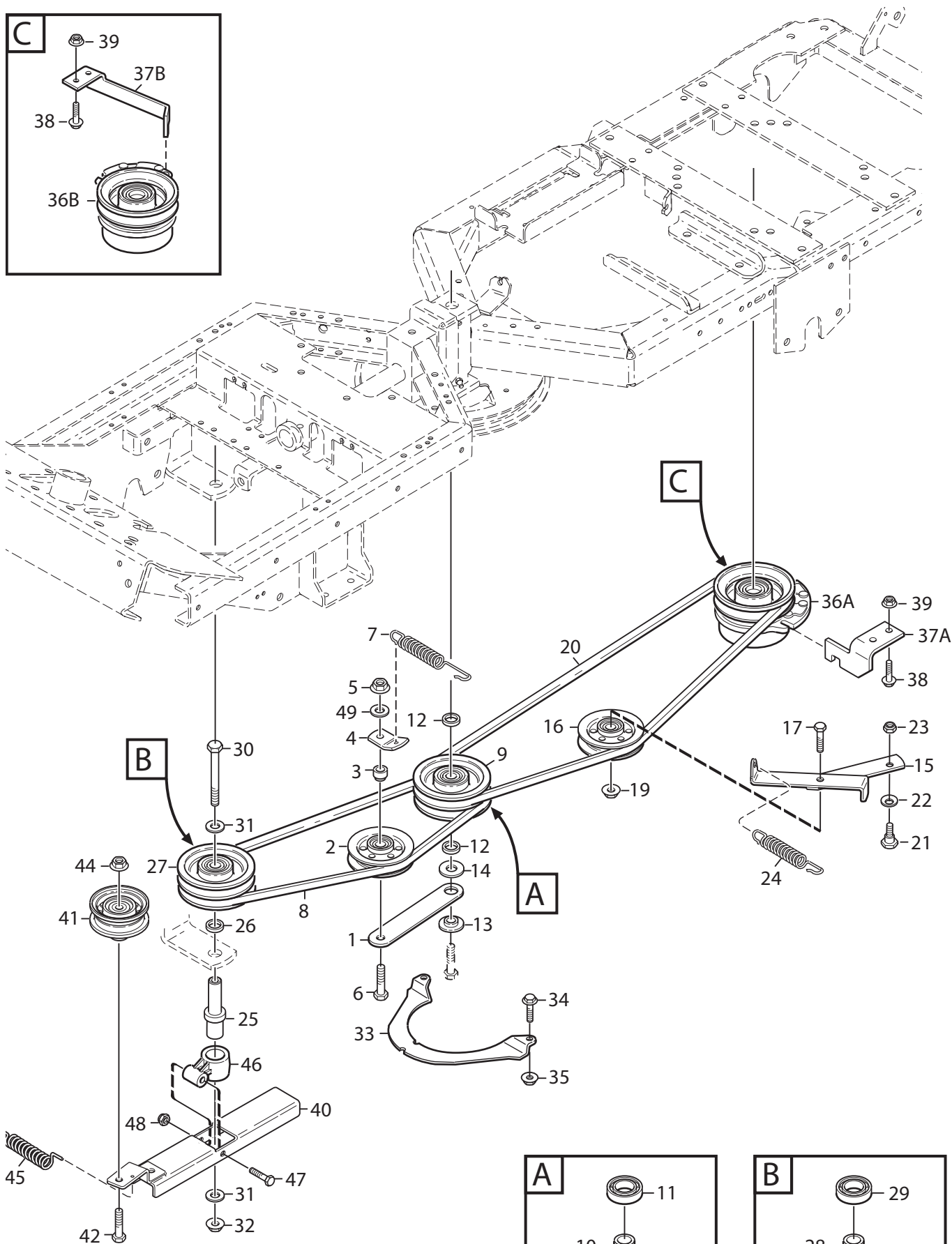
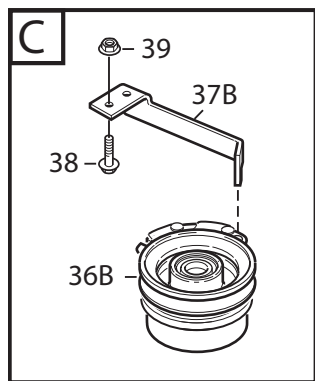


Utgåva Issue 2014-11		Bildnr Picture No 1805B		PARK PRO 4WD TRANSMISSION (hydrauliska delar)		PARK PRO 4WD TRANSMISSION (hydraulic parts)		Sida Page 30	
Pos. Fig.	Antal/Quantity				Art nr Part No	Benämning	Description	Sats Kit	Anmärkning Notes
	6269	6270	6276						
1	1				1134-5810-01	Adapter .....	Hydraulic coupling.....		3/4" x 3/4"
1A	1				9404-0029-01	O-ring .....	O-ring .....		
2	1				1137-0219-01	Hydraulslang.....	Hydraulic tube.....		L = 1285
3	1				1134-5808-01	Skärringskoppling.....	Hydraulic coupling.....		3/4"
3A	1				9404-0029-01	O-ring .....	O-ring .....		
4	1				1134-5814-01	Hydraulrör .....	Hydraulic tube.....		
5	1				1134-5809-01	Adapter .....	Hydraulic coupling.....		3/4" x 9/16"
5A	1				9404-0029-01	O-ring .....	O-ring .....		
6	1				1137-0211-01	Hydraulslang.....	Hydraulic tube.....		L = 275
10	1				1134-5807-01	Vinkeladapter.....	Hydraulic coupling.....		3/4" x 3/4"
10A	1				9404-0029-01	O-ring .....	O-ring .....		
11	1				1134-5875-01	Skärringskoppling.....	Hydraulic coupling.....		3/4"
11A	1				9404-0029-01	O-ring .....	O-ring .....		
13	1				9578-0028-01	Rörklammer.....	Tube clamp.....		
14	1				9959-0825-16	Skruv.....	Screw.....		
15	1				1137-0223-01	Hydraulslang.....	Hydraulic tube.....		L = 620
16	1				1134-5809-01	Adapter .....	Hydraulic coupling.....		3/4" x 9/16"
16A	1				9404-0029-01	O-ring .....	O-ring .....		
17	1				1137-0215-01	Hydraulslang.....	Hydraulic tube.....		L = 1200
18	1				1134-1565-09	Distans .....	Spacer .....		
20	1				1134-5808-01	Skärringskoppling.....	Hydraulic coupling.....		3/4"
20A	1				9404-0029-01	O-ring .....	O-ring .....		
21	1				1134-5810-01	Adapter .....	Hydraulic coupling.....		3/4" x 3/4"
21A	1				9404-0029-01	O-ring .....	O-ring .....		
22	1				1134-4282-01	Hydraulnippel.....	Hydraulic nipple.....		9/16" x 9/16"
22A	1				9404-0028-01	O-ring .....	O-ring .....		
23	1				1137-0215-02	Hydraulslang.....	Hydraulic tube.....		L = 600
24	1				1134-5810-01	Adapter .....	Hydraulic coupling.....		3/4" x 3/4"
24A	1				9404-0029-01	O-ring .....	O-ring .....		
25	1				1137-0220-01	Hydraulslang.....	Hydraulic tube.....		L = 620
26	1				1134-5819-02	Hydraultank kpl.....	Hydraulic oil tank .....		
26A	1				1137-0272-01	Tanklock .....	Tank cap .....		
26B	1				1134-5962-02	Oljefilter .....	Oil filter.....		
26C	1				1134-5963-01	Hölje-oljefilter .....	Cover-filter.....		
26D	1				1134-5964-01	Fjäder .....	Spring .....		
27	1				9838-9516-12	Skruv.....	Screw .....		
29	3				9578-0023-04	Slangklämma.....	Hose clamp.....		15*8
30	1				9578-0023-05	Slangklämma.....	Hose clamp.....		18,0/8
31	1				9579-0003-00	Buntband.....	Cable holder.....		
32	1				1134-6039-01	Hydraulrör .....	Hydraulic pipe.....		
33	1				1134-4948-01	Tredobricka.....	Seal washer .....		
34	1				1134-6042-01	Snabbkoppling-hane.....	Quick coupling-male.....		





Utgåva Issue 2014-11		Bildnr Picture No 2212B		PARK PRO 4WD HJUL		PARK PRO 4WD WHEEL		Sida Page 32	
Pos. Fig.	Antal/Quantity				Art nr Part No	Benämning	Description	Sats Kit	Anmärkning Notes
	6269	6270	6276						
1	2				1134-4844-03	Hjulnav .....	Wheel hub .....		
2	2				1134-3383-02	Kil .....	Key .....		
3	2				1134-4558-01	Fälg .....	Rim .....		
4	2				9545-0124-01	Däck .....	Tyre .....		17 x 8.00 - 8
5	2				9545-0500-00	Ventil .....	Valve .....		
6	6				9731-1031-22	Mutter .....	Nut .....		
9	4				1134-5797-01	Bricka .....	Washer .....		
10	2				9653-0002-04	Spårryttare .....	Lock ring .....		
21	2				1134-4844-03	Hjulnav .....	Wheel hub .....		
22	2				1134-3383-02	Kil .....	Key .....		
23	2				1134-4558-01	Fälg .....	Rim .....		
24	2				9545-0124-01	Däck .....	Tyre .....		17 x 8.00 - 8
25	2				9545-0500-00	Ventil .....	Valve .....		
26	6				9731-1031-22	Mutter .....	Nut .....		
30	2				9653-0002-04	Spårryttare .....	Lock ring .....		
31	2				1134-4796-01	Navkapsel .....	Hub cap .....		
32	2				9947-0540-19	Skruv .....	Screw .....		
45	1				13-0993-61	Snabbfäste kpl .....	Quick connections .....		Inkl. pos 9,10,46-51
46	1				1134-7465-01	Fästen kpl, vä+hö .....	Attachment kit, LH+RH....		Inkl. pos 50-51
47	2				1137-0077-01	Låssprint .....	Locking pin .....		
48	4				1134-5686-01	Lagerbussning .....	Bearing bush .....		
49	2				9501-0502-00	Smörjnippel .....	Grease joint .....		
50	2				9898-1035-16	Skruv .....	Screw .....		
51	2				9739-1031-22	Mutter .....	Nut .....		
99					9545-0203-00	Innerslang .....	Inner tube .....		Reservdel/spare part



Utgåva Issue 2014-11		Bildnr Picture No 1807C		PARK PRO 4WD KRAFTUTTAG		PARK PRO 4WD POWER TAKE-OFF		Sida Page 34	
Pos. Fig.	Antal/Quantity			Art nr Part No	Benämning	Description	Sats Kit	Anmärkning Notes	
	6269	6270 6276							
1	1	1		1134-1730-01	Spännhjulssarm .....	Tension wheel arm .....			
2	1	1		1134-3663-01	Spännrulle.....	Tension wheel .....			
3	1	1		1134-1888-05	Distans .....	Spacer.....			
4	1	1		1134-1893-01	Fjäderfäste .....	Spring attachment .....			
5	1	1		9739-1031-22	Mutter .....	Nut.....			
6	1	1		9997-1060-12	Skruv.....	Screw.....			
7	1	1		1134-5713-01	Dragfjäder.....	Spring .....			
8	1	1		1134-9098-01	Drivrem.....	V-belt.....			
9	1	1		1137-0004-01	Centrumremskiva kpl .....	Centre pulley assy .....		=9585-0148-01 Inkl. pos 10-11	
10	1	1		1134-0051-09	Distans .....	Spacer.....			
11	2	2		9549-0019-00	Kullager .....	Ball bearing .....			
12	2	2		1134-0052-00	Lagerdistans.....	Bearing spacer.....			
13	1	1		1134-0222-00	Bricka .....	Washer.....			
14	1	1		9699-0109-02	Planbricka.....	Flat washer .....			
15	1	1		1134-5742-01	Spännarm.....	Tension arm.....			
16	1	1		1134-3663-01	Spännrulle.....	Tension wheel .....			
17	1	1		9997-1040-16	Skruv.....	Screw.....			
19	1	1		9739-1031-22	Mutter .....	Nut.....			
20	1	1		1134-9097-01	Drivrem.....	V-belt.....		=9585-0147-1	
21	1	1		1134-0240-00	Ansattsskruv .....	Shoulder screw .....			
22	1	1		9665-0002-00	Brickfjäder.....	Bowed washer .....			
23	1	1		9747-0831-02	Mutter .....	Lock nut .....			
24	1	1		1134-5713-03	Fjäder.....	Spring .....			
25	1	1		1134-5663-01	Axel .....	Shaft .....			
26	1	1		1134-0052-00	Lagerdistans.....	Bearing spacer.....			
27	1	1		1137-0004-01	Centrumremskiva kpl .....	Centre pulley assy .....		Inkl. pos 28-29	
28	1	1		1134-0051-09	Distans .....	Spacer.....			
29	2	2		9549-0019-00	Kullager .....	Ball bearing .....			
30	1	1		9997-1011-06	Skruv.....	Screw.....			
31	2	2		9699-0030-02	Planbricka.....	Flat washer .....			
32	1	1		9739-1031-22	Mutter .....	Nut.....			
33	1	1		1134-3654-01	Fingerskydd.....	Finger guard .....			
34	2	2		9959-0612-16	Skruv.....	Screw.....			
35	2	2		9739-0631-22	Mutter .....	Nut.....			
36A	1			1134-7430-01	Magnetkoppling.....	Magnet clutch.....			
36B		1		1134-5674-01	Magnetkoppling.....	Magnet clutch.....			
37C	1			1134-5664-01	Momentstag .....	Torque plate.....			
37B		1		1134-6452-01	Momentstag .....	Torque plate.....			
38	2	2		9959-0820-16	Skruv.....	Screw.....			
39	2	2		9739-0831-22	Mutter .....	Nut.....			
40	1	1		1134-5660-01	Spännarm.....	Tension arm.....			
41	1	1		1134-5823-01	Spännrulle.....	Tension roller .....			
42	1	1		9997-1050-16	Skruv.....	Screw.....			
44	1	1		9739-1031-22	Mutter .....	Nut.....			
45	1	1		1134-5824-01	Fjäder.....	Spring .....			
46	1	1		1134-6314-01	Spännarmsfäste.....	Attachment .....			
47	1	1		9997-0645-12	Skruv.....	Screw.....			
48	1	1		9747-0631-02	Låsmutter.....	Lock nut .....			
49	1	1		9699-0035-02	Planbricka.....	Flat washer .....			