



www.stiga.com

Illustrated Parts List

for model:

**Park Diesel 2 WD
520 DP**

- Use GLOBAL GARDEN PRODUCT genuine spare parts specified in the parts list for repair and/or replacement.
- Then contents described in the parts list may change due to improvement.
- The drawings of the spare part are only indicative and might not represent the part in question exactly.
- The indications "right" - "left" - "front" - "rear" refer to the position of the operator when using the machine.
- When placing orders of parts for repair and/or replacement, make sure that the illustrated parts list is the one applying to the machine's year of manufacture, as shown on the identification plate attached to the machine.

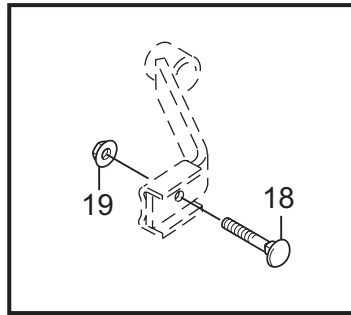
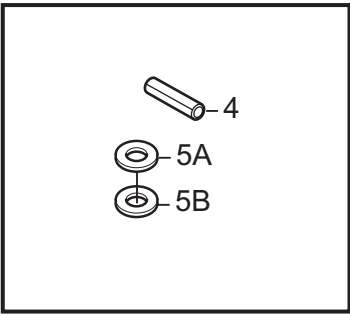
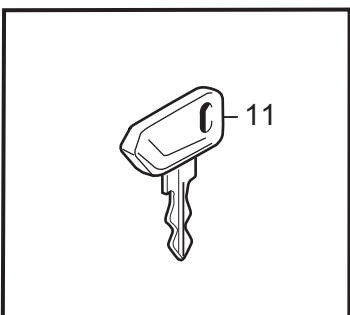
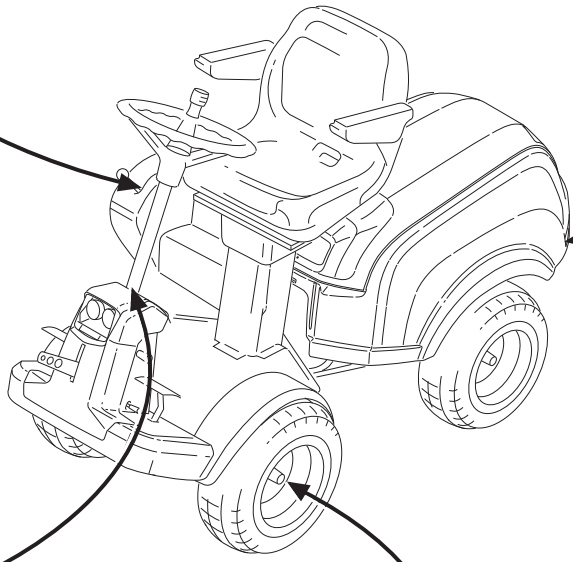
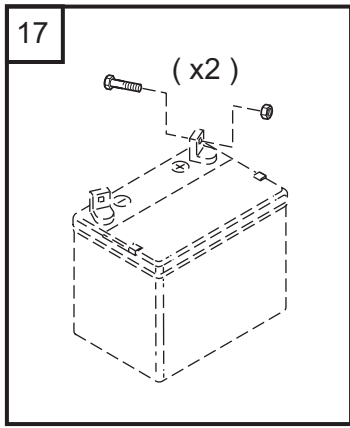
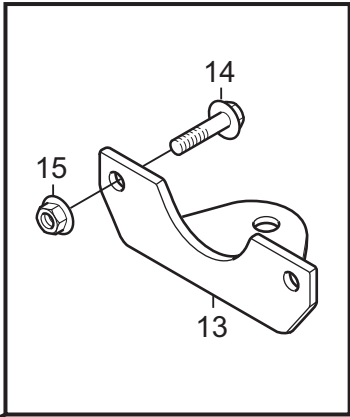
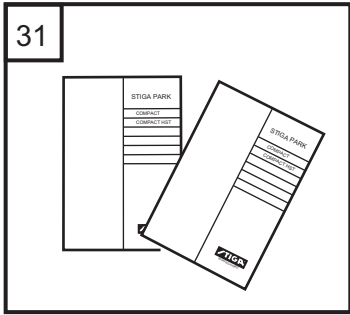
© Copyright 2014 Global Garden Products

All content is subject to copyright by Global Garden Products and may not be reproduced in whole or in part by any means, electronic or otherwise, without prior written approval.

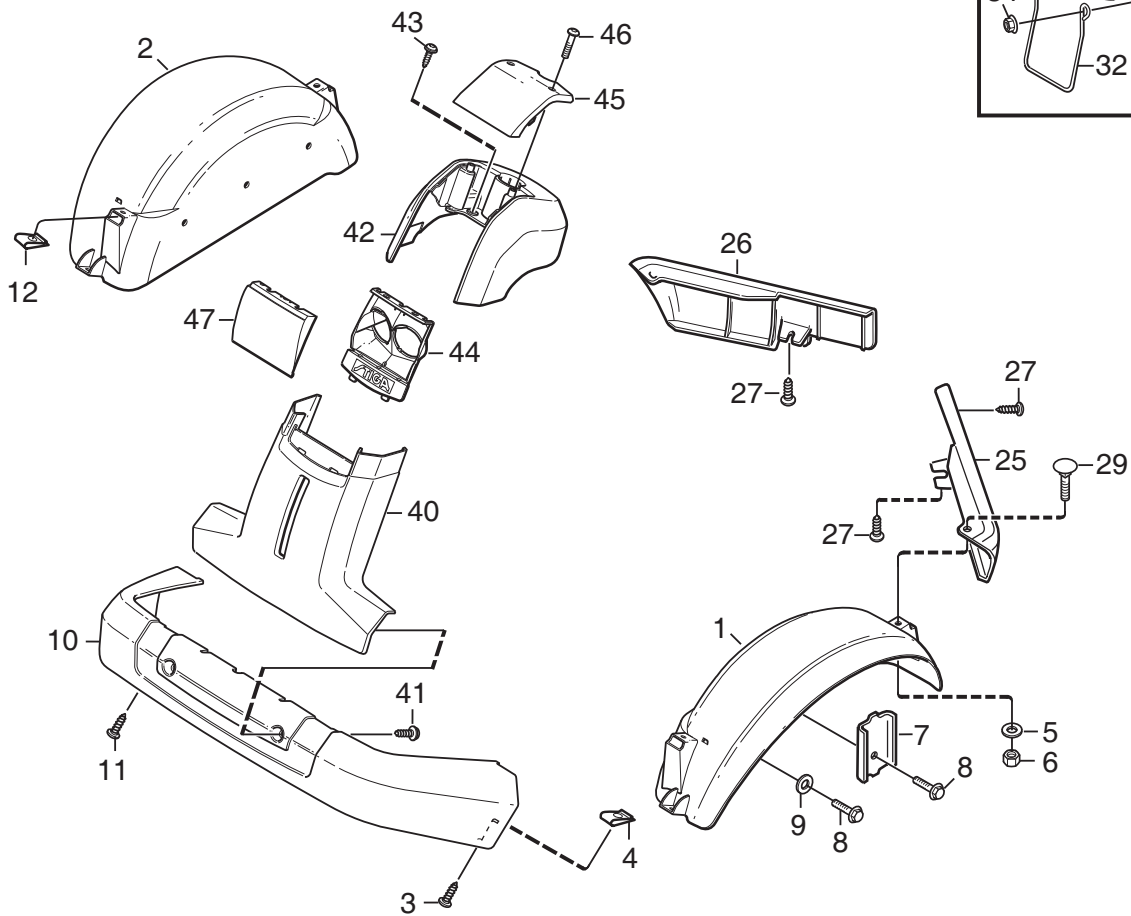
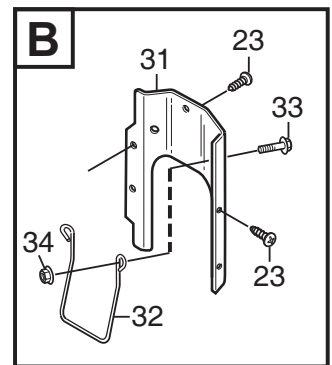
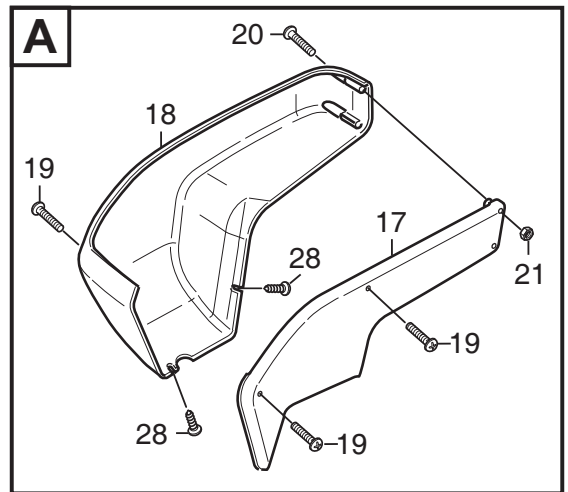
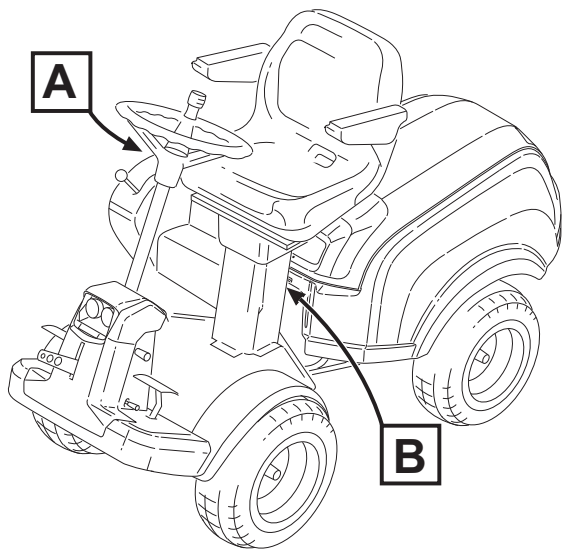
THIS INFORMATION IS NOT INTENDED FOR SALE OR RESALE, AND THIS NOTICE MUST REMAIN ON ALL COPIES.

www.ggp-group.com

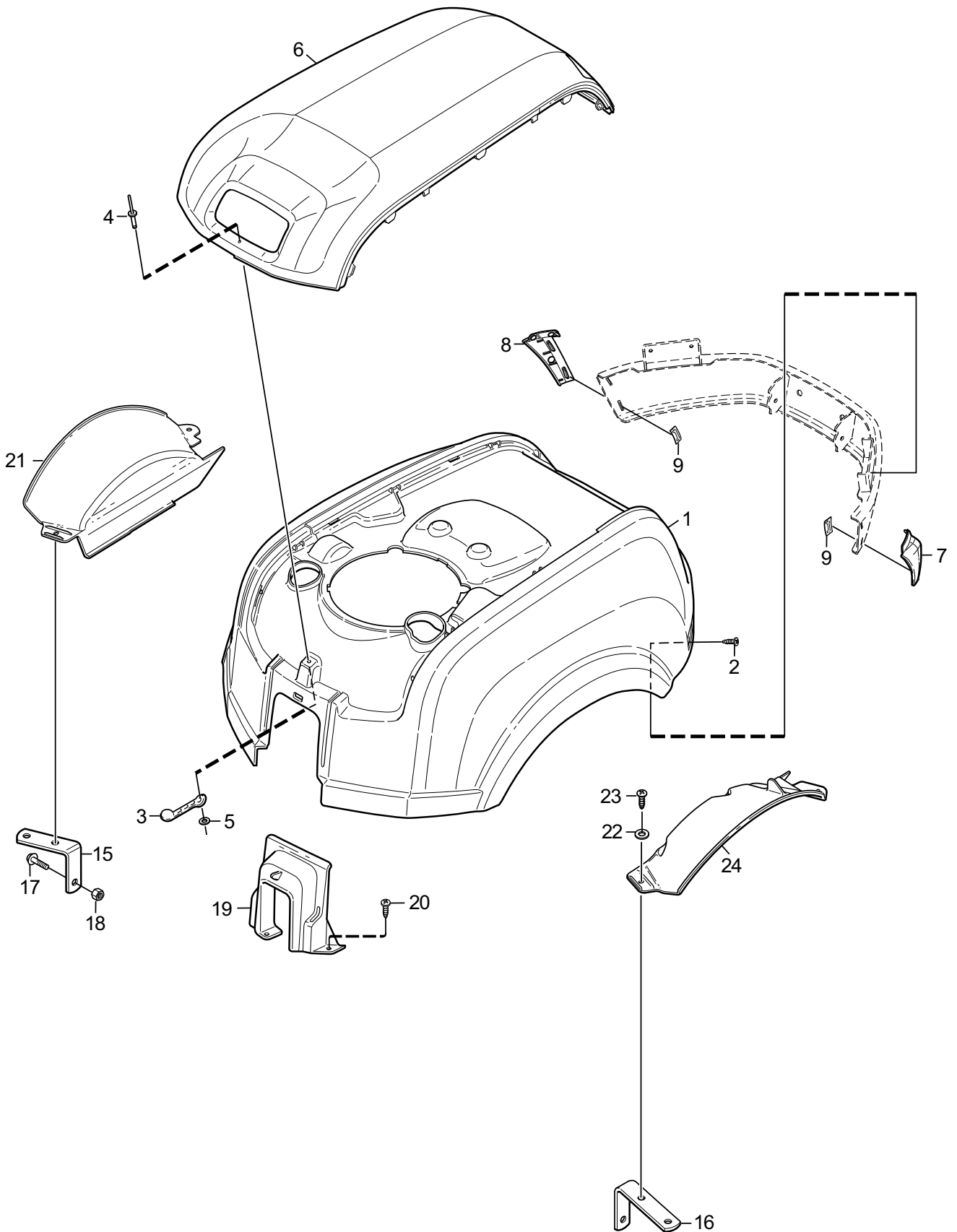




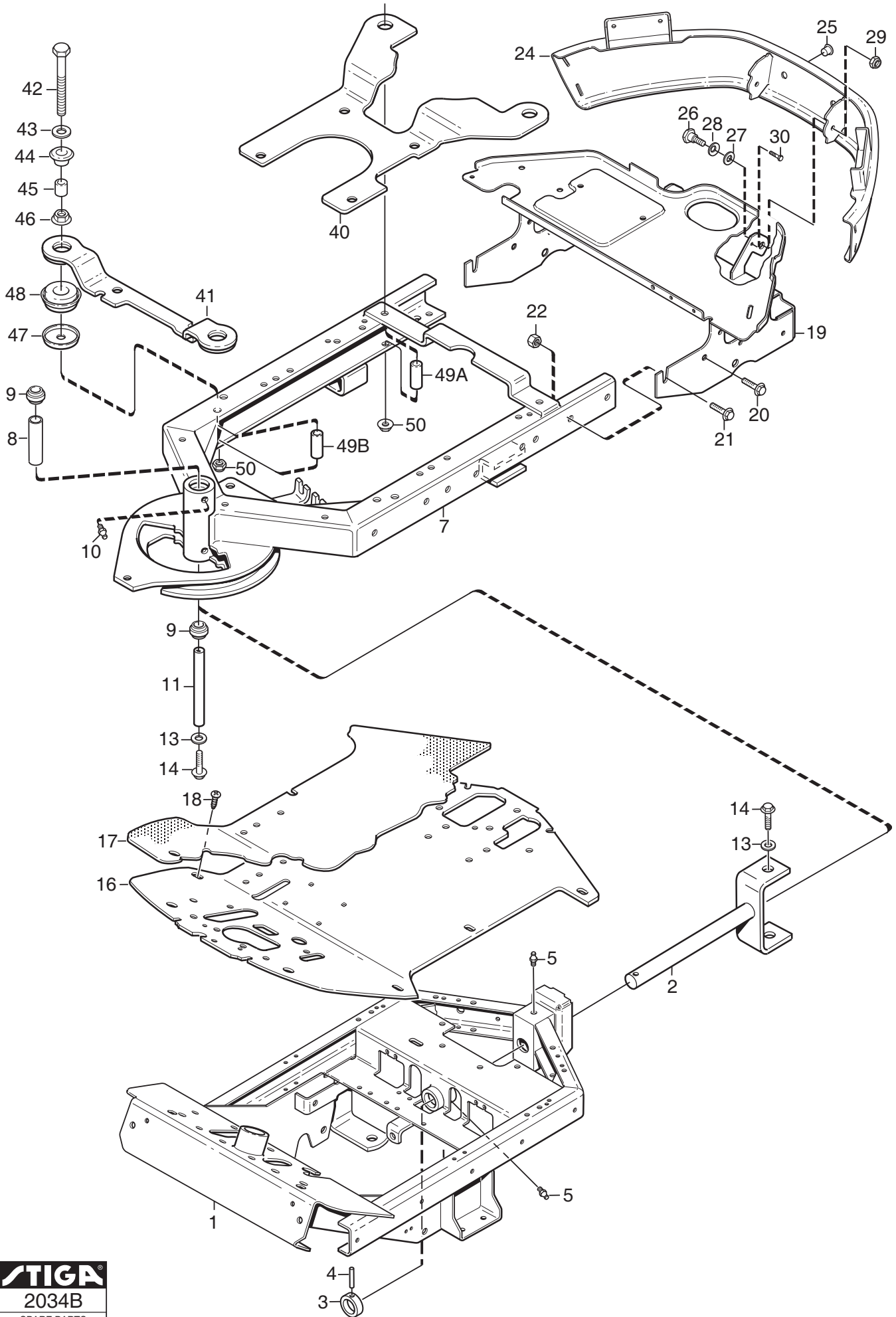
Utgåva Issue 2014-11		Bildnr Picture No 2014F		PARK DIESEL 4WD MONTERINGSDETALJER		PARK DIESEL 4WD ASSEMBLY PARTS		Sida Page 2	
Pos. Fig.	Antal/Quantity				Art nr Part No	Benämning	Description	Sats Kit	Anmärkning Notes
	6319								
4	2				9595-0262-00	Spännstift.....	Locating pin		
5A	1				9699-0103-02	Shims	Flat washer		0.5 mm
5B	1				9699-0114-02	Shims	Flat washer		1.0 mm
10	2				118210027/0	Tändningsnyckel.....	Ignition key		
13	1				1134-5512-01	Dragplåt	Towing plate.....		
14	2				9959-0820-16	Skruv.....	Screw.....		
15	2				9739-0831-22	Mutter	Nut.....		
17	1				1134-6113-02	Batteriskruvar	Battery screws.....		
18	2				9898-1035-16	Skruv.....	Screw.....		
19	2				9739-1031-22	Mutter	Nut.....		
31						Bruksanvisning	Owner's manual		as PDF



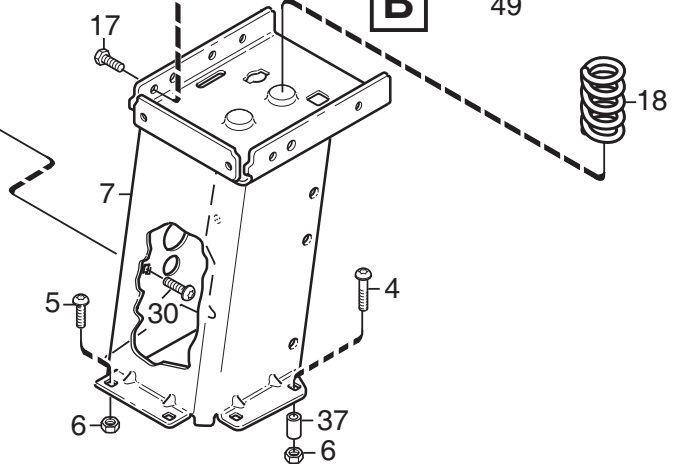
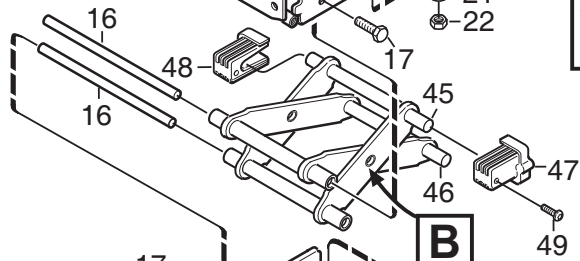
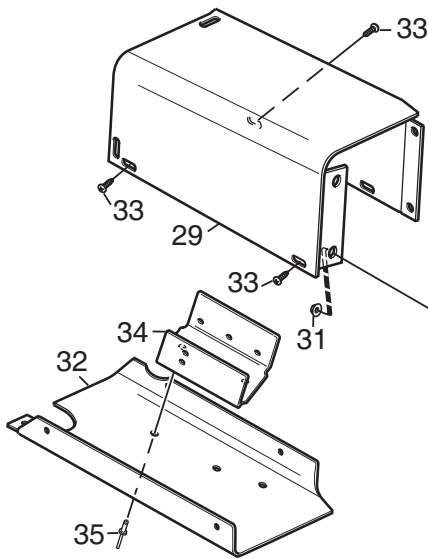
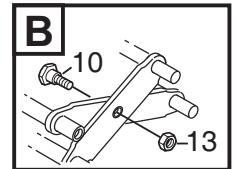
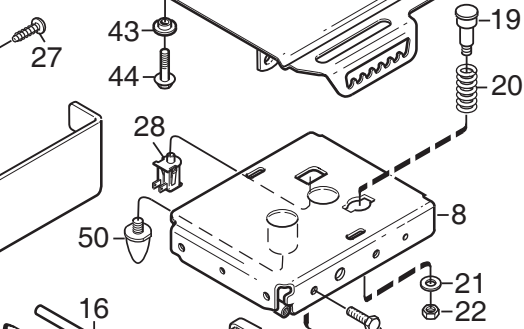
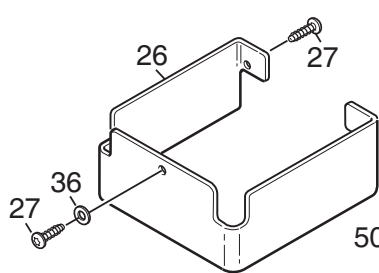
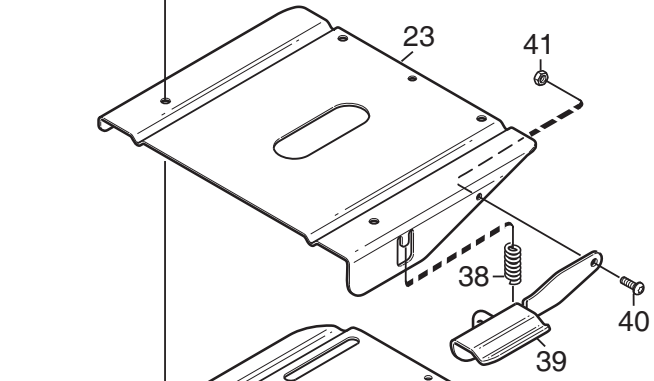
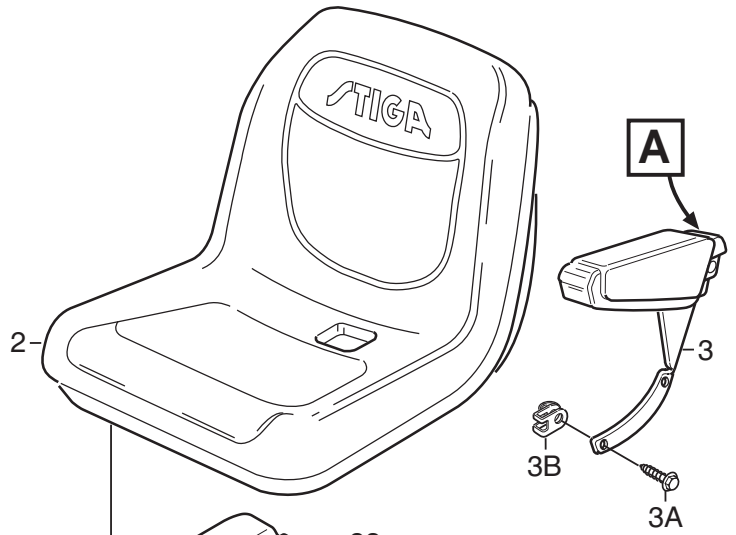
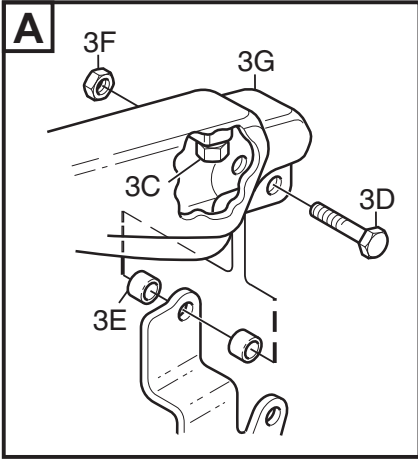
Utgåva Issue 2014-11		Bildnr Picture No 2820A		PARK DIESEL 4WD KAROSS-FRAM		PARK DIESEL 4WD BODY WORK-FRONT		Sida Page 4	
Pos. Fig.	Antal/Quantity				Art nr Part No	Benämning	Description	Sats Kit	Anmärkning Notes
	6319								
1	1				1137-0048-01	Skärm-vä, grå	Mud guard-LH, grey		
2	1				1137-0048-02	Skärm-hö, grå	Mud guard-RH, grey		
3	2				9893-0616-16	Skruv	Screw		
4	2				1134-4176-01	Clips	Clips		
5	2				9699-0060-02	Planbricka	Flat washer		
6	2				9747-0631-02	Låsmutter	Lock nut		
7	2				1137-0088-01	Stödplåt	Support plate		
8	6				9945-0816-16	Skruv	Screw		
9	4				9699-0056-02	Planbricka	Flat washer		
10	1				1137-0049-01	Stötfångare-grå	Bumper-grey		
11	6				9893-0616-16	Skruv	Screw		
12	2				1134-4176-01	Clips	Clips		
17	1				1134-4360-01	Kåpa-inre	Cover-inner		
18	1				1134-3979-01	Kåpa-yttre	Cover-outer		
19	3				9946-0525-16	Skruv	Screw		
20	2				9950-0570-12	Skruv	Screw		
21	2				9747-0531-02	Mutter	Nut		
23	4				9893-0616-16	Skruv	Screw		
25	1				1134-3970-05	Kantlist-vä, grå	Moulding-LH, grey		
26	1				1134-3970-02	Kantlist-hö, grå	Moulding-RH, grey		
27	4				9893-0616-16	Skruv	Screw		
28	2				9840-8013-16	Skruv	Screw		
29	2				9897-0616-16	Vagnsbult	Carriage bolt		
31	1				1134-6461-01	Bakstycke	Rear plate		
32	1				1134-6460-01	Skyddsbygel	Protective loop		
33	2				9959-0820-16	Skruv	Screw		
34	2				9739-0831-22	Mutter	Nut		
40	1				1137-0050-01	Frontkåpa-nedre	Front panel-lower		
41	2				9838-9516-12	Skruv	Screw		
42	1				1137-0051-01	Frontkåpa-övre	Front panel-upper		
43	2				9946-0525-16	Skruv	Screw		
44	1				1137-0052-01	Lamphållare	Lamp holder		
45	1				1137-0053-01	Toppkåpa	Top panel		
46	2				9838-9516-12	Skruv	Screw		
47	1				1137-0054-01	Lampglas	Lamp glass		



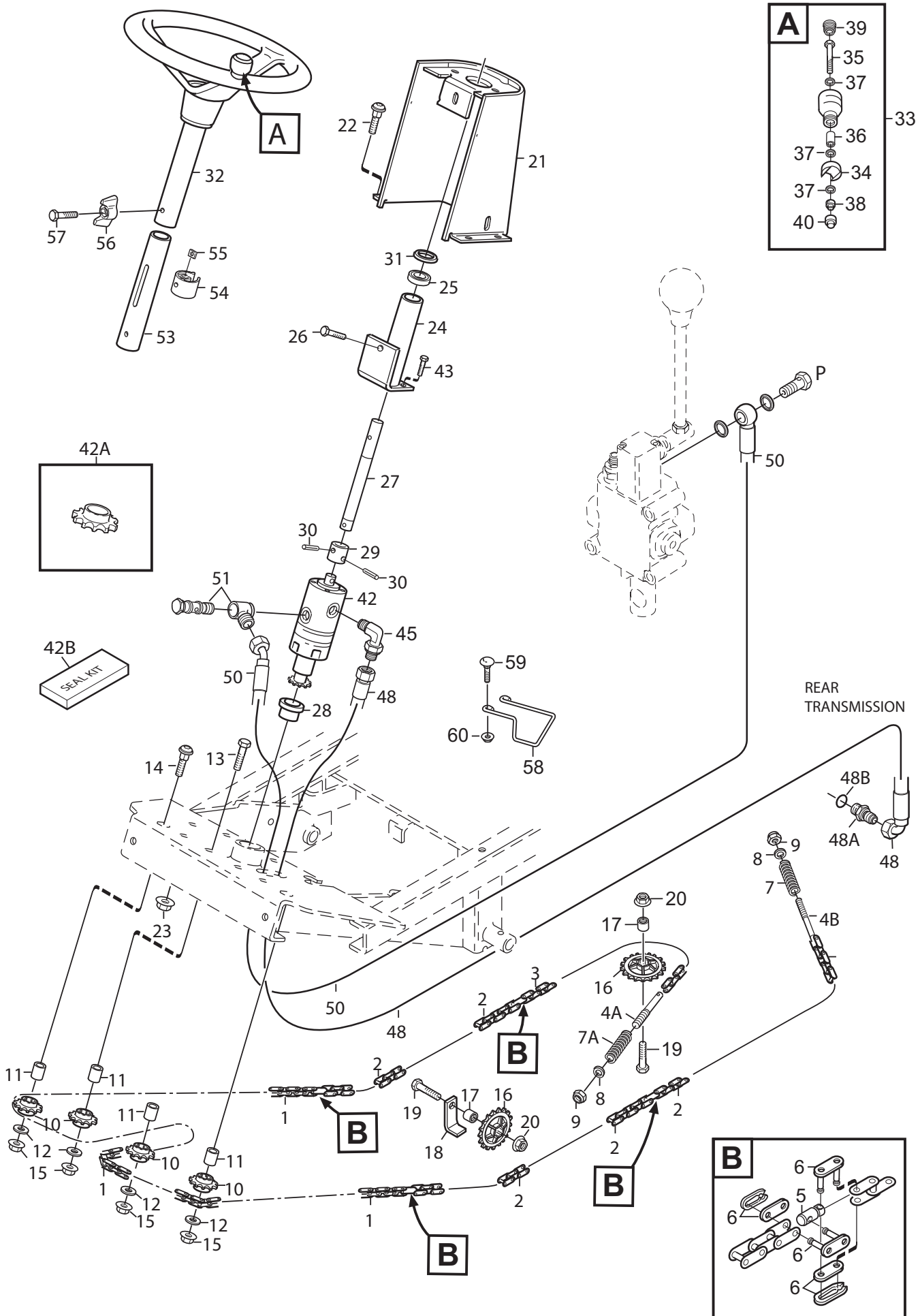
Utgåva Issue 2014-11		Bildnr Picture No 2816D		PARK DIESEL 4WD KAROSS-BAK		PARK DIESEL 4WD BODY WORK-REAR		Sida Page 6	
Pos. Fig.	Antal/Quantity				Art nr Part No	Benämning	Description	Sats Kit	Anmärkning Notes
	6319								
1	1				1134-6025-01	Motorhuv	Engine hood		Sats 3 st/kit of 3
2	4				9893-0616-16	Skruv.....	Screw.....		
3	1				1134-9028-01	Gummistropp-sats	Rubber strap kit.....		
4	1				9632-0513-00	Popnit.....	Pop rivet.....		
5	1				9699-0120-02	Bricka	Washer.....		
6	1				1134-6026-01	Motorlucka	Engine cover		
7	1				1134-6027-01	Ändavslut-vä.....	Bumper end-LH		
8	1				1134-6027-02	Ändavslut-hö	Bumper end-RH		
9	4				1134-6310-01	Clips.....	Clips		
15	1				1134-4012-03	Stödkonsol-hö.....	Support-RH		
16	1				1134-4012-04	Stödkonsol-vä.....	Support-LH		
17	1				9959-0820-16	Skruv.....	Screw.....		
18	1				9739-0831-22	Mutter	Nut.....		
19	1				1134-6241-01	Huvstöd.....	Hood support.....		
20	3				9893-0616-16	Skruv.....	Screw.....		
21	1				1134-4800-01	Innerskärm-hö.....	Inner mud guard-RH.....		
22	4				9699-0060-02	Planbricka.....	Flat washer		
23	4				9893-0616-16	Skruv.....	Screw.....		
24	1				1134-4801-01	Innerskärm-vä.....	Inner mud guard-LH		
30	3				1137-0020-01	Distans	Spacer		
31	3				9997-0535-16	Skruv.....	Screw.....		
32	3				9739-0531-22	Mutter	Nut.....		
33	3				9699-0099-02	Bricka	Washer.....		
34	3				9747-0531-02	Mutter	Nut.....		



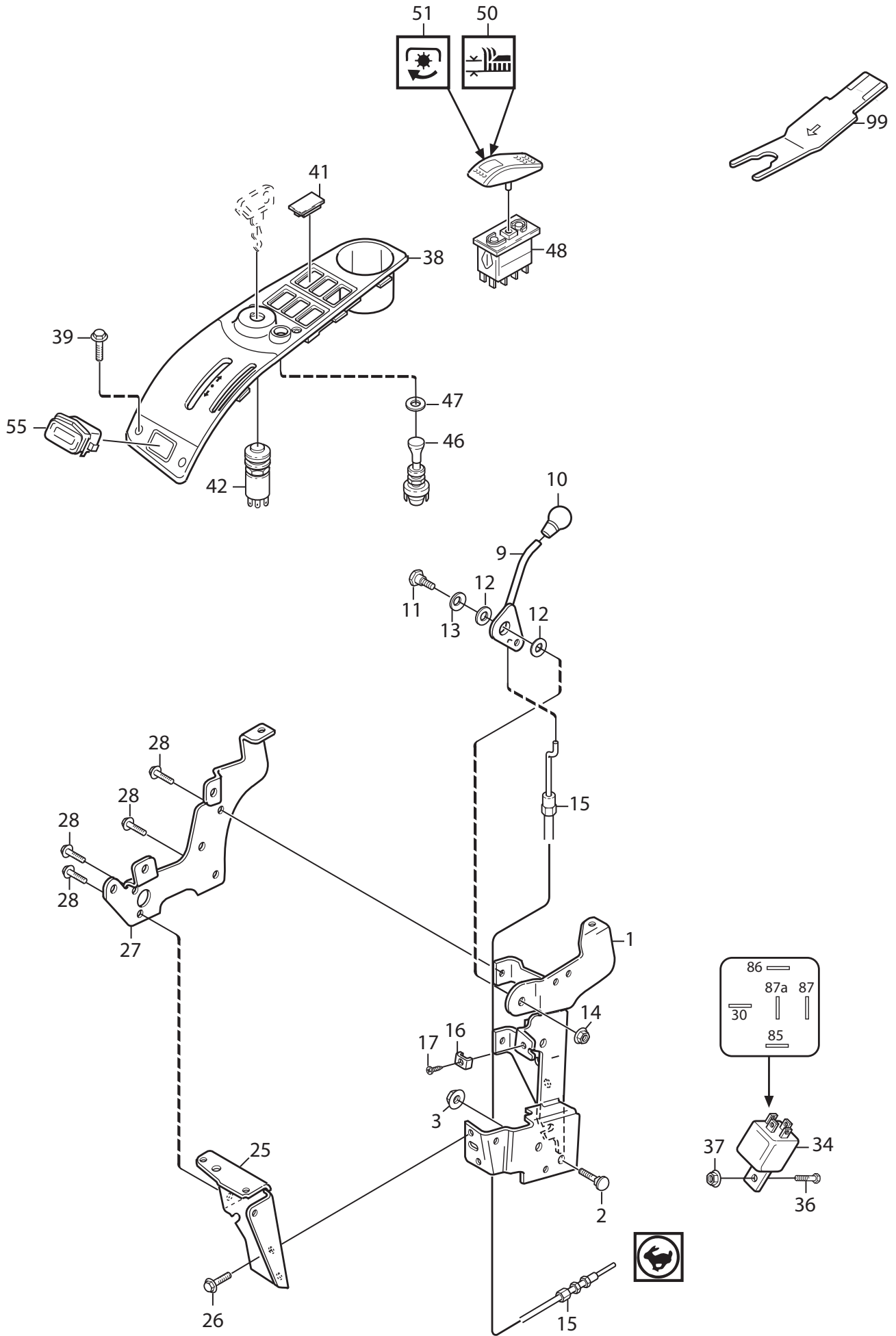
Utgåva Issue		Bildnr Picture No		PARK DIESEL 4WD RAM		PARK DIESEL 4WD FRAME		Sida Page	
2014-11		2034Z						8	
Pos. Fig.	Antal/Quantity				Art nr Part No	Benämning	Description	Sats Kit	Anmärkning Notes
	6319								
1	1				1137-0390-01	Ram-främre.....	Frame-front		
2	1				1137-1119-02	Midjegaffel	Clevis		
3	1				1134-0031-00	Ledaxelstopp.....	Pivot shaft stop.....		
4	1				9595-0262-00	Spännstift.....	Locating pin		
5	2				9501-0500-00	Smörjnippel	Grease joint		
7	1				1134-6046-01	Ram-bakre	Frame-rear.....		
8	1				1134-5705-01	Distans	Spacer.....		
9	2				9547-0001-00	Ledlager	Bearing		
10	2				9501-0500-00	Smörjnippel	Grease joint		
11	1				1134-5988-01	Centrumaxel	Centre shaft		
13	2				9699-0035-02	Planbricka.....	Flat washer		
14	2				9959-1025-16	Skruv.....	Screw.....		
16	1				1134-6586-01	Durk	Floor plate		
17	1				1134-6372-04	Durkmatta.....	Floor mat		
18	2				9893-0616-16	Skruv.....	Screw.....		
19	1				1134-5944-01	Tankhylla	Tank shelf		
20	2				9945-0816-16	Skruv.....	Screw.....		
21	2				9959-0820-16	Skruv.....	Screw.....		
22	2				9739-0831-22	Mutter	Nut.....		
24	1				1134-5676-01	Stötfångare.....	Bumper.....		
25	2				1134-4100-01	Täckpropp.....	Plug		
26	2				1134-0240-00	Ansatsskruv	Shoulder screw.....		
27	2				1134-4242-01	Distansbricka.....	Spacer washer		
28	2				9665-0002-00	Brickfjäder.....	Bowed washer		
29	2				9747-0831-02	Mutter	Lock nut		
30	2				9943-0516-16	Skruv.....	Screw.....		
40	1				1134-6037-01	Motorstag.....	Engine support		
41	1				1134-4918-01	Motorstag-fram.....	Engine support-front		
42	4				9997-1011-06	Skruv.....	Screw.....		
43	4				9699-0030-02	Planbricka.....	Flat washer		
44	4				1111-2453-01	Isolering.....	Grommet		
45	4				1134-4919-01	Distans	Spacer.....		
46	4				9739-1031-22	Mutter	Nut.....		
47	4				1134-4915-01	Stödkopp.....	Support cup		
48	4				1134-4920-01	Dämpement.....	Vibration absorber.....		
49A	2				1134-0041-03	Hylsa.....	Collar.....		L = 55 mm
49B	2				1134-6887-01	Hylsa.....	Collar.....		L = 51,2 mm
50	4				9731-1031-22	Mutter	Nut.....		



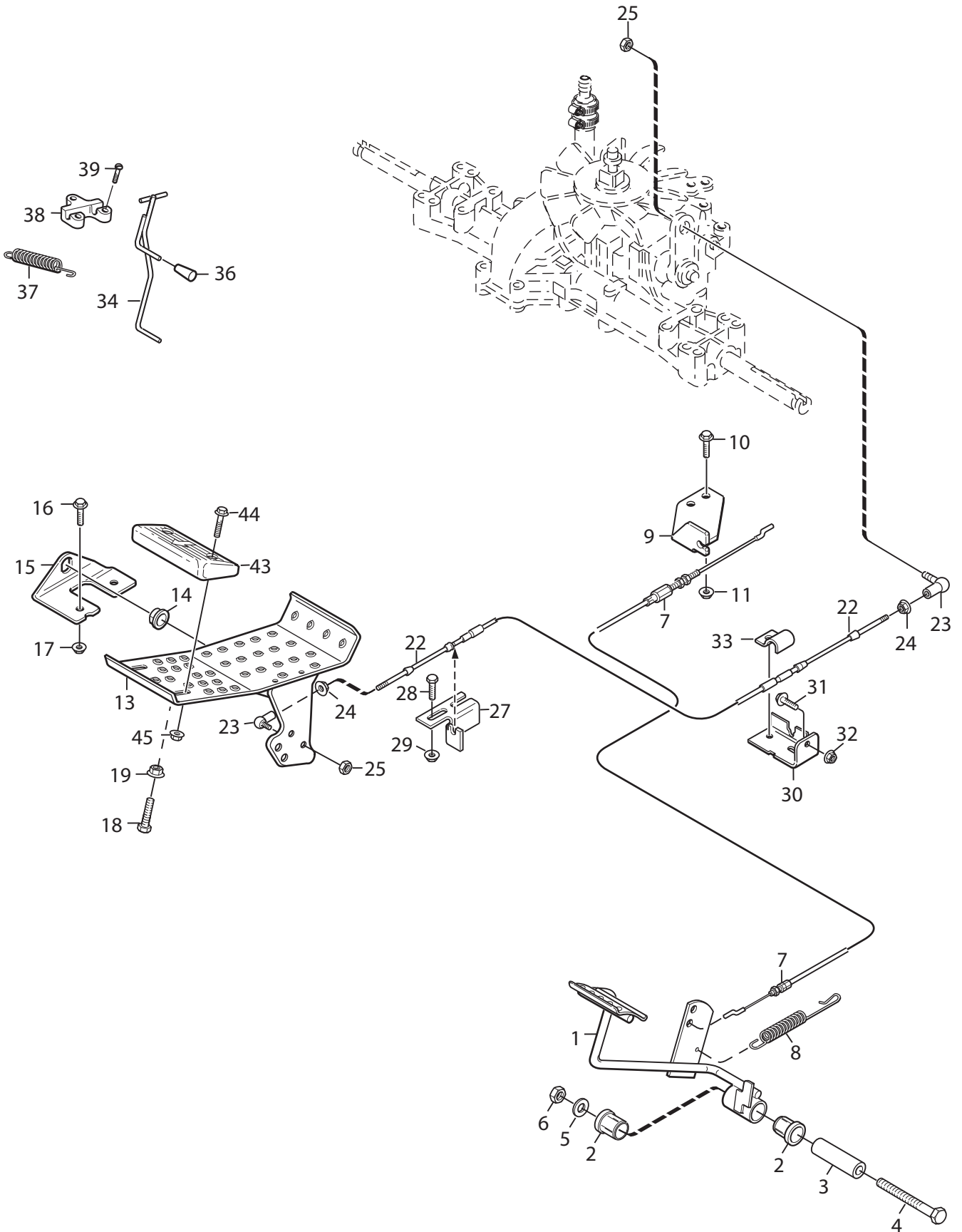
Utgåva Issue		Bildnr Picture No		PARK DIESEL 4WD SITS		PARK DIESEL 4WD SEAT		Sida Page	
2014-11		2750						12	
Pos. Fig.	Antal/Quantity				Art nr Part No	Benämning	Description	Sats Kit	Anmärkning Notes
	6319								
2	1			1134-7830-01	Sits	Seat.....			
3	1			1134-7831-01	Armstöd kpl.....	Arm rests assy.....			
3A	6			1139-0010-01	Skruv.....	Tap screw.....			
3B	6			1139-0011-01	Mutter	Speed nut.....			
3C	2			9988-3713-16	Skruv.....	Screw.....			
3D	2			9997-1045-12	Skruv.....	Screw.....			
3E	4			1134-5094-01	Distans	Spacer.....			
3F	2			9747-1031-02	Låsmutter.....	Lock nut.....			
3G	2			1134-5879-01	Armstödsdyna.....	Arm rest pad			
4	2			9897-0880-12	Skruv.....	Screw.....		L = 80 mm	
5	4			9897-0820-16	Skruv.....	Screw.....		L = 20 mm	
6	6			9747-0831-02	Mutter	Lock nut.....			
7	1			1137-0057-01	Sitskonsol	Seat bracket.....			
8	1			1137-0058-01	Platta-övre.....	Plate-upper.....			
10	2			1134-0240-00	Ansatssskruv	Shoulder screw.....			
13	2			9747-0831-02	Mutter	Lock nut.....			
16	2			1137-0060-01	Axel	Shaft.....			
17	4			9958-0820-16	Skruv	Screw.....			
18	2			1134-4160-01	Fjäder.....	Seat spring.....			
19	1			1134-4153-01	Tryckpinne.....	Push pin.....			
20	1			1134-4159-01	Fjäder.....	Spring.....			
21	1			9699-0056-02	Planbricka.....	Flat washer.....			
22	1			9747-0831-02	Mutter	Lock nut.....			
23	1			1134-6090-01	Glidplatta.....	Slide plate.....			
24	2			1134-0240-00	Ansatssskruv	Shoulder screw.....			
26	1			1137-0038-01	Svep	Cover.....			
27	3			9838-9516-12	Skruv.....	Screw.....			
28	1			1134-3156-01	Brytare (svart).....	Switch (black).....			
29	1			1134-3990-01	Armsvep	Attachment-side panel			
30	2			9897-0820-16	Skruv.....	Screw.....			
31	2			9739-0831-22	Mutter	Nut.....			
32	1			1134-4130-01	Lock-undre	Cover-lower			
33	4			9840-8013-16	Skruv.....	Screw.....			
34	1			1134-4135-01	Reläåhållare.....	Relay holder.....			
35	2			9632-0522-00	Popnit.....	Pop rivet.....			
36	1			9699-0087-02	Planbricka.....	Flat washer.....			
37	2			1134-1565-08	Distans	Spacer.....			
38	1			1134-3262-01	Tryckfjäder	Compression spring			
39	1			1134-6073-01	Handtag.....	Handle.....			
40	1			9893-0616-16	Skruv.....	Screw.....			
41	1			9747-0631-02	Låsmutter.....	Lock nut.....			
42	1			1137-0055-01	Glidplatta-undre.....	Slide plate-lower			
43	4			1134-6078-01	Ansatsbricka.....	Flange washer			
44	4			9959-0820-16	Skruv.....	Screw.....			
45	1			1137-0031-01	Länk	Link.....			
46	1			1137-0032-01	Länk	Link.....			
47	2			1137-0033-01	Kloss	Block.....			
48	2			1137-0033-02	Kloss	Block.....			
49	4			9838-9516-12	Skruv.....	Screw.....			
50	1			1137-0064-01	Dämpare	Rubber cone.....			



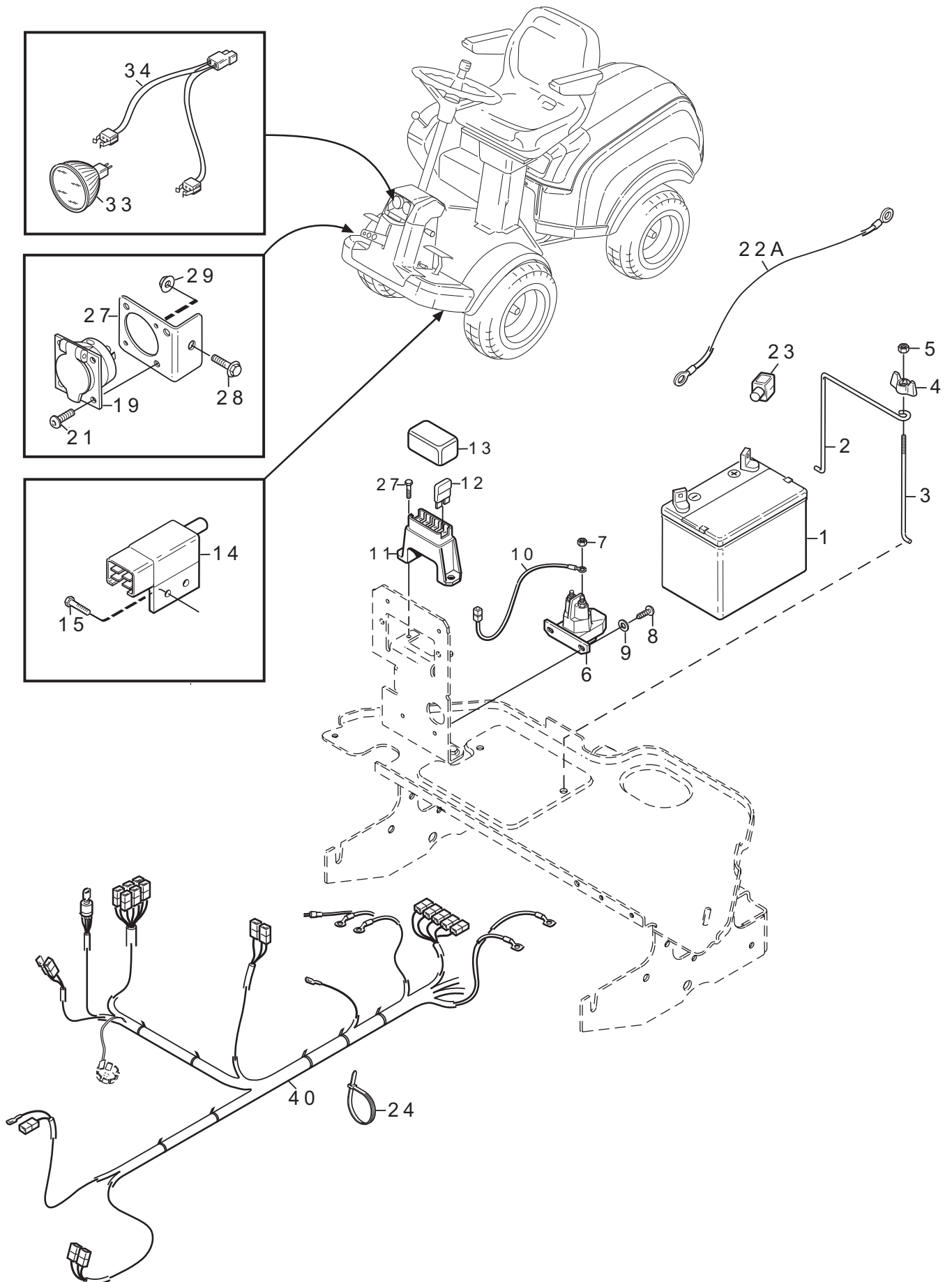
Utgåva Issue		Bildnr Picture No		PARK DIESEL 4WD STYRNING		PARK DIESEL 4WD STEERING		Sida Page	
2014-11		2204B						14	
Pos. Fig.	Antal/Quantity				Art nr Part No	Benämning	Description	Sats Kit	Anmärkning Notes
	6319								
1	1			1134-6374-06	Kedja.....	Chain		83 länk	
2	3			1134-6374-02	Kedja.....	Chain		41 länk	
3	1			1134-6374-04	Kedja.....	Chain		45 länk	
4A	1			1134-3550-01	Ändnippel	End nipple		L = 110 mm	
4B	1			1134-3550-02	Ändnippel	End nipple		L = 90 mm	
5	4			1134-3565-01	Skarvnippel.....	Connection nipple			
6	10			1134-2824-02	Kedjelås	Chain lock			
7A	1			1134-3817-01	Tryckfjäder	Compression spring		L = 58 mm	
7B	1			1134-3817-02	Tryckfjäder	Compression spring		L = 33 mm	
8	2			9699-0090-02	Planbricka.....	Flat washer			
9	2			9747-0831-02	Mutter	Lock nut			
10	4			1134-2816-01	Kedjehjul	Sprocket			
11	4			1134-0041-02	Linhjulshylsa	Idler wheel bush.....			
12	4			9699-0035-02	Planbricka.....	Flat washer			
13	2			9997-1050-16	Skruv.....	Screw.....			
14	2			9897-1040-12	Skruv.....	Screw.....			
15	4			9739-1031-22	Mutter	Nut.....			
16	3			1134-3547-01	Kedjehjul	Sprocket			
17	3			1134-0041-01	Linhjulshylsa	Bushing			
18	2			1134-0046-00	Linhållare.....	Wire clamp			
19	3			9997-1030-16	Skruv.....	Screw.....			
20	3			9739-1031-22	Mutter	Nut.....			
21	1			1137-0066-01	Styrkonsol.....	Steering console			
22	4			9897-0820-16	Skruv.....	Screw.....			
23	4			9739-0831-22	Mutter	Nut.....			
24	1			1137-0044-01	Rattrör-nedre.....	Steering tube-lower.....			
25	1			9549-0017-00	Kullager	Ball bearing.....			
26	1			9945-0816-16	Skruv.....	Screw.....			
27	1			1137-0045-01	Rattstång	Steering rod			
28	1			1134-4114-01	Bussning	Bushing			
29	1			1134-4118-01	Koppling	Coupling.....			
30	2			9595-0256-01	Spännstift.....	Pin			
31	1			9695-0011-00	Bricka	Washer			
32	1			1134-5173-02	Ratt kpl	Steering wheel assy.....			
33	1			1134-3769-01	Styrknopp kpl	Steering wheel button.....			
34	1			1134-3752-01	Knoppfäste.....	Knob holder			
35	1			9997-0870-16	Skruv.....	Screw.....			
36	1			1134-1565-06	Distans	Spacer			
37	3			9699-0090-02	Planbricka.....	Flat washer			
38	1			9747-0831-02	Mutter	Lock nut			
39	1			9403-0043-70	Plugg.....	Plug			
40	1			9403-0113-00	Mutterhatt	Nut cap			
42	1			1137-0446-01	Momentförstärkare	Steering booster.....			
42A	1			1139-2074-01	Reparationsatts	Seal kit			
42B	1			1139-2106-01	Drev	Pinion			
43	3			9939-0612-16	Skruv.....	Screw.....			
45	1			1134-7073-01	Vinkeladapter.....	Hydraulic coupling.....			
48	1			1337-0195-01	Hydraulslang.....	Hydraulic tube.....			
48A	1			1134-4282-01	Hydraulnippel.....	Hydraulic nipple.....		9/16" x 9/16"	
48B	1			9404-0028-01	O-ring	O-ring			
50	1			1137-0216-01	Hydraulslang.....	Hydraulic tube.....			
51	2			1134-6323-01	Banjokoppling	Banjo nipple			
53	1			1137-0070-01	Rattrör-inre kpl	Steering tube-inner.....			
54	1			1134-5177-01	Slid.....	Slide			
55	1			9710-0631-12	Fyrkantmutter	Square nut			
56	1			1134-4481-02	Vingmutter	Wing nut.....			
57	1			9997-0630-12	Skruv.....	Screw.....			
58	1			1137-0112-01	Bygel.....	Guide.....			
59	2			9897-0616-16	Skruv.....	Screw.....			
60	2			9739-0631-22	Mutter	Mutter.....			
70	1			1134-6379-02	Styrkedja kpl.....	Steering chain kpl.....			



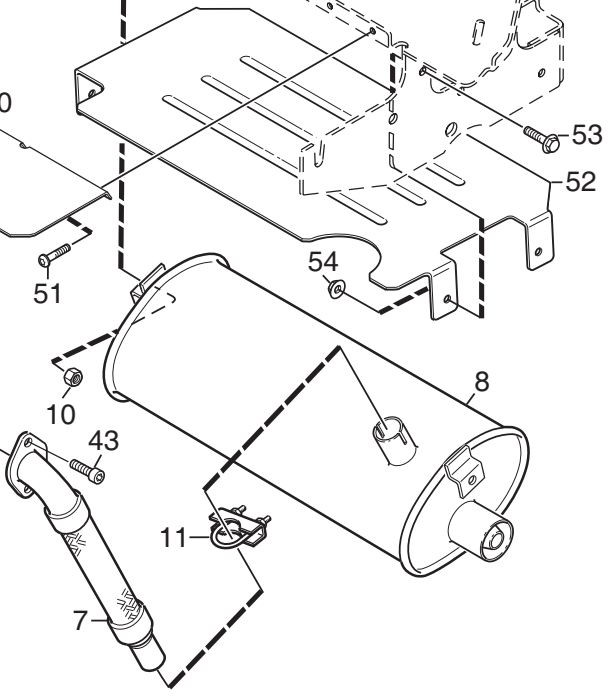
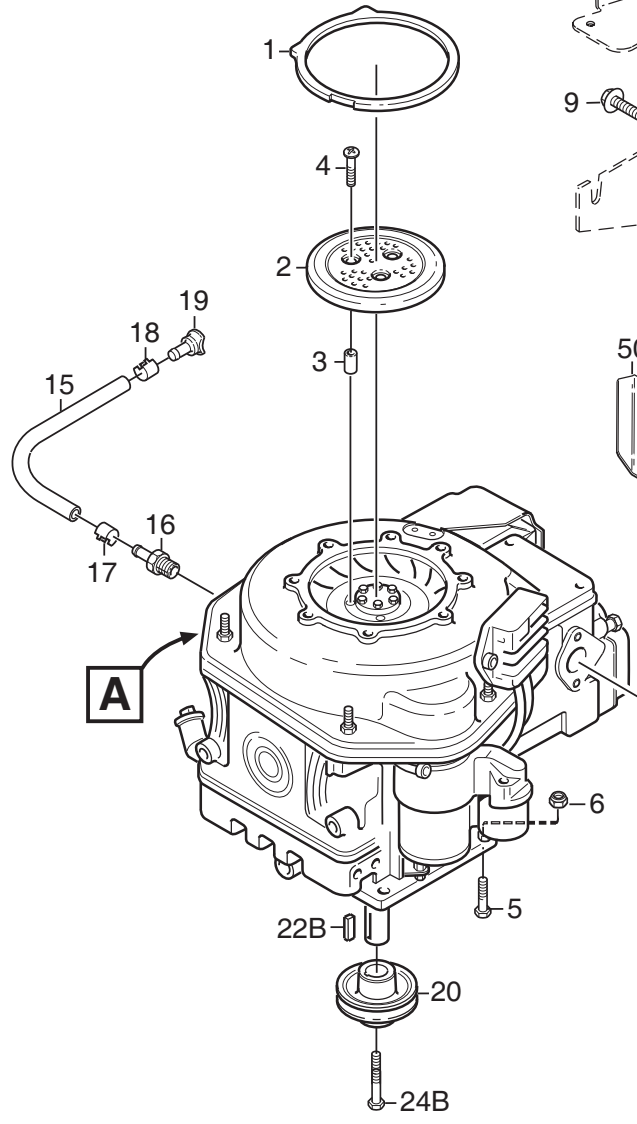
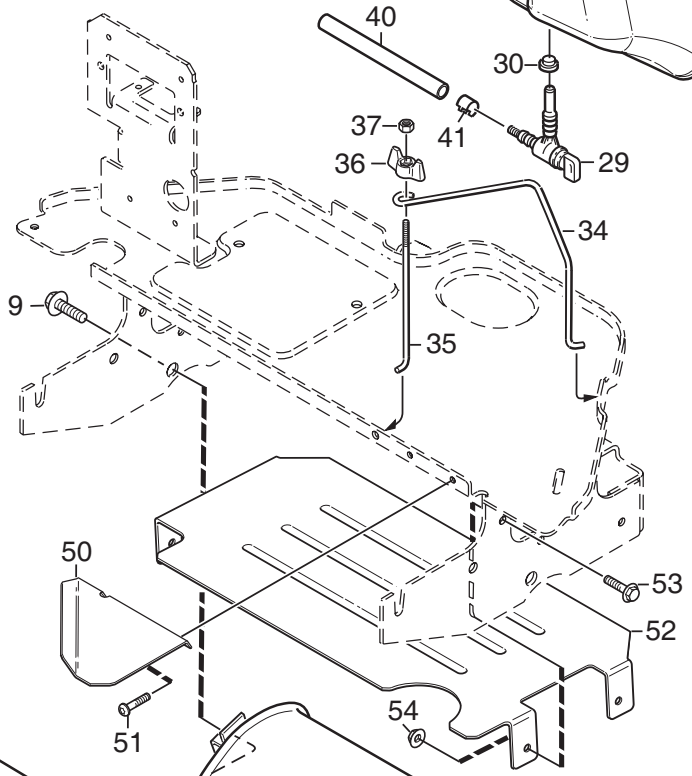
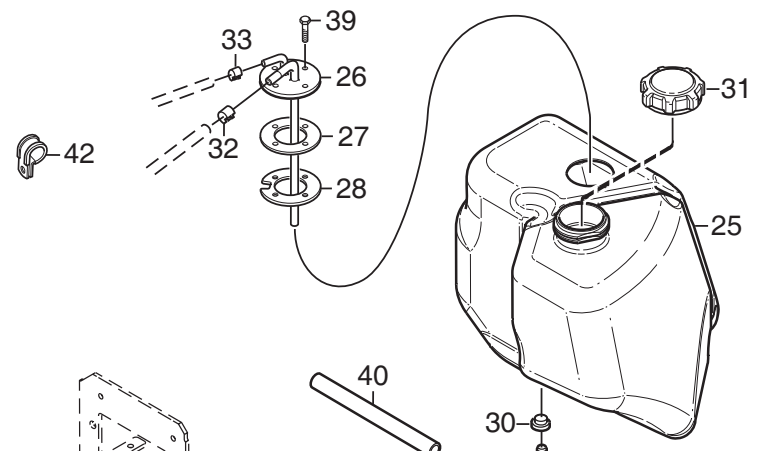
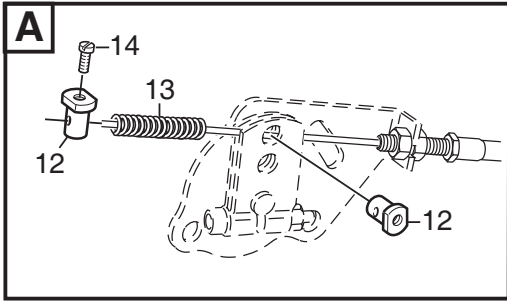
Utgåva Issue 2014-11		Bildnr Picture No 2205B		PARK DIESEL 4WD HANDREGLAGE		PARK DIESEL 4WD HAND CONTROLS		Sida Page 16	
Pos. Fig.	Antal/Quantity				Art nr Part No	Benämning	Description	Sats Kit	Anmärkning Notes
	6319								
1	1				1134-6324-01	Vinkelhållare.....	Panel bracket.....		
2	2				9897-0820-16	Skruv.....	Screw.....		
3	2				9739-0831-22	Mutter.....	Nut.....		
9	1				1134-4077-02	Gasreglage.....	Throttle control.....		
10	1				1134-4078-01	Knopp.....	Knob.....		
11	1				1134-0240-00	Ansattsskruv.....	Shoulder screw.....		
12	2				1134-4242-01	Distansbricka.....	Spacer washer.....		
13	1				9665-0002-00	Fjäderbricka.....	Washer.....		
14	1				9747-0831-02	Mutter.....	Lock nut.....		
15	1				1134-4923-01	Gaswire.....	Throttle cable.....		
16	1				9500-9991-00	Wireklämma.....	Cable clamp.....		
17	1				9943-0516-16	Skruv.....	Screw.....		
25	1				1134-6328-01	Frontfäste.....	Panel bracket-front.....		
26	2				9893-0616-16	Skruv.....	Screw.....		
27	1				1134-6327-01	Frontplåt.....	Front plate.....		
28	4				9893-0616-16	Skruv.....	Screw.....		
34	1				1134-2871-03	Relä.....	Relay.....		
36	1				9997-0512-16	Skruv.....	Screw.....		
37	1				9739-0531-22	Mutter.....	Nut.....		
38	1				1134-6096-09	Kassett.....	Dashboard.....		
39	4				9946-0525-16	Skruv.....	Screw.....		
41	4				1134-4129-01	Täckbricka.....	Cover.....		
42	1				118450079/0	Tändningslås.....	Ignition switch.....		
46	1				9400-0296-01	Dragströmbrytare.....	Switch.....		
47	2				9699-0090-02	Planbricka.....	Flat washer.....		
48	2				9400-0282-01	Brytare m.diod.....	Switch w.diode.....		
50	1				9400-0280-03	Vippa-höjdinställning.....	Cover-height adjust.....		
51	1				9400-0280-01	Vippa-kraftuttag.....	Cover-PTO.....		
55	1				1134-6097-02	Timräknare.....	Hour meter.....		
99	1				9400-0290-01	Verktyg f.vippa.....	Tool for cover.....		Tillbehör/Accessory



Utgåva Issue 2014-11		Bildnr Picture No 2206F		PARK DIESEL 4WD FOTREGLAGE		PARK DIESEL 4WD FOOT CONTROLS		Sida Page 18	
Pos. Fig.	Antal/Quantity				Art nr Part No	Benämning	Description	Sats Kit	Anmärkning Notes
	6319								
1	1				1134-5655-01	Broms/kopplingspedal.....	Brake/clutch pedal		Sats 4 st/kit of 4
2	1				1134-9024-01	Lager.....	Bearing		
3	1				1134-5677-02	Distans	Spacer.....		
4	1				9997-1070-12	Skruv.....	Screw.....		
5	1				9699-0030-02	Planbricka.....	Flat washer		
6	1				9739-1031-22	Mutter	Nut.....		
7	1				1134-6005-01	Wire	Cable		
8	1				4231-0013-00	Fjäder.....	Spring		
9	1				1134-6052-01	Wirefäste.....	Cable holder.....		
10	2				9959-0820-16	Skruv.....	Screw.....		
11	1				9739-0831-22	Mutter	Nut.....		
13	1				1134-6353-01	Drivpedal	Drive pedal.....		
14	2				1134-6313-01	Lager.....	Bearing		
15	2				1134-2700-01	Fäste.....	Bracket		
16	2				9959-0820-16	Skruv.....	Screw.....		
17	2				9739-0831-22	Mutter	Nut.....		
18	1				9997-0835-16	Skruv.....	Screw.....		
19	1				9739-0831-22	Mutter	Nut.....		
22	1				1134-2766-05	Reglagewire.....	Speed control cable.....		
23	2				9570-0001-00	Vinkellänk.....	Elbow link		
24	2				9739-0531-22	Mutter	Nut.....		
25	2				9747-0531-02	Mutter	Nut.....		
27	1				1134-6317-01	Wirefäste.....	Cable holder.....		
28	2				9959-0620-16	Skruv.....	Screw.....		
29	2				9739-0631-22	Mutter	Nut.....		
30	1				1134-3395-01	Fäste.....	Attachment		
31	2				9959-0820-16	Skruv.....	Screw.....		
32	2				9739-0831-22	Mutter	Nut.....		
33	1				1134-2021-01	Växelwirefäste.....	Clamp		
34A	1				1134-5353-01	Bromsstång	Brake rod.....		
36A	1				1134-2786-01	Plastknopp	Plastic knob		
37	1				1131-1497-01	Fjäder.....	Spring		
38	1				1134-4002-01	Fäste.....	Brake rod attachment.....		
39	3				9838-9516-12	Skruv.....	Screw		
43	2				1134-6340-02	Fotstöd.....	Foot rest		
44	4				9959-0620-16	Skruv.....	Screw.....		
45	4				9739-0631-22	Mutter	Nut.....		

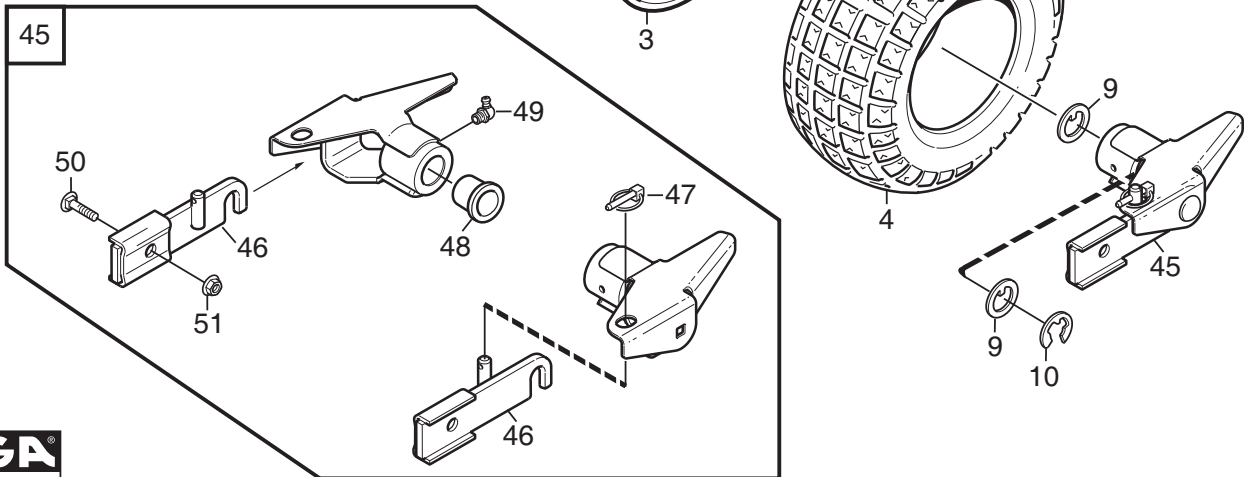
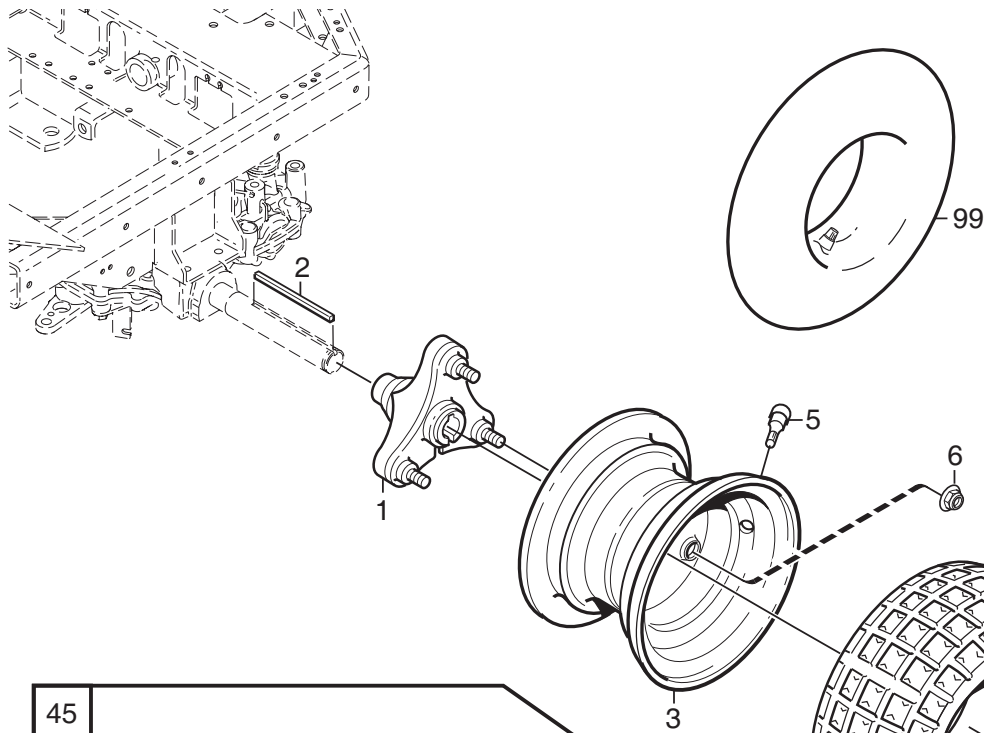
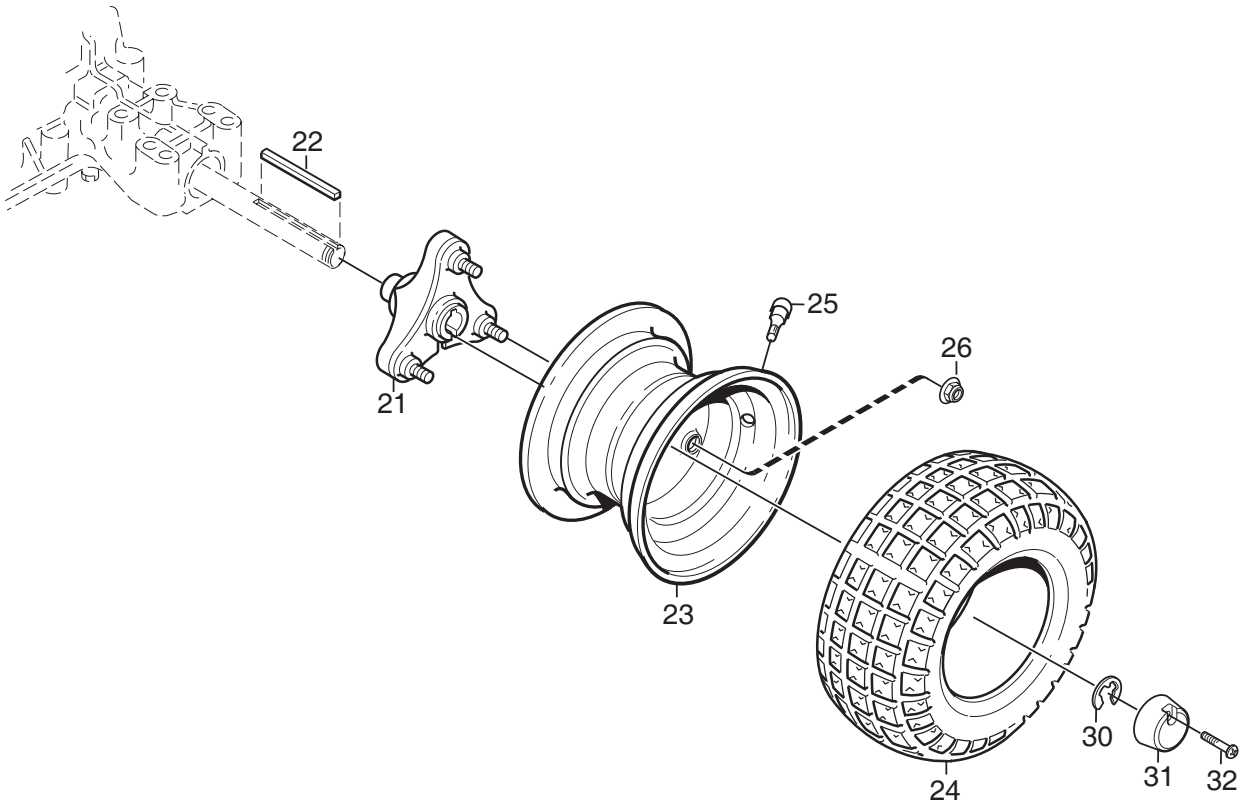


Utgåva Issue 2014-11		Bildnr Picture No 2020I		PARK DIESEL 4WD ELUTRUSTNING		PARK DIESEL 4WD EL. EQUIPMENT		Sida Page 20	
Pos. Fig.	Antal/Quantity				Art nr Part No	Benämning	Description	Sats Kit	Anmärkning Notes
	6319								
1	1				1134-5751-01	Batteri	Battery		
2	1				1134-5994-01	Batteribygel	Battery loop.....		
3	1				1134-5995-01	Batteribygel	Battery loop.....		
4	1				1134-4481-02	Vingmutter	Wing nut.....		
5	1				9747-0631-02	Låsmutter	Lock nut		
6	1				1134-2962-01	Solenoid kpl	Solenoid assy		Inkl. pos 7
7	2				9794-5131-02	Mutter	Nut.....		
8	2				9852-8013-16	Skruv.....	Screw.....		
9	2				9699-0060-02	Planbricka	Flat washer		
10	1				1134-4970-02	Kabel-röd	Cable-red.....		
11	1				1134-3491-01	Säkringshållare	Fuse holder.....		
12	1				1134-3496-01	Säkring.....	Fuse		10A
12	1				1134-3496-06	Säkring.....	Fuse		20A
12	1				1134-3496-07	Säkring.....	Fuse		30A
13	1				1134-3631-01	Lock-säkringsdosa	Cover-fuse holder.....		
14	1				1134-3399-01	Brytare	Switch		
15	2				9943-0516-16	Skruv.....	Screw.....		
19	1				1134-7535-01	Honkontakt	Female terminal		
21	2				9840-7716-16	Skruv.....	Screw.....		
22	1				1134-6067-02	Batterikabel (+).....	Battery cable (+)		
23	1				1134-2310-01	Batteriskydd.....	Guard cap		
24	5				9579-0003-00	Buntband.....	Cable holder		
24	2				9579-0018-01	Buntband.....	Cable tie		L=390
27	1				1137-0075-01	Fäste.....	Bracket		
28	1				9959-0820-16	Skruv.....	Screw.....		
29	1				9739-0831-22	Mutter	Nut.....		
33	2				9400-0358-01	LED-lampa	LED-lamp		
34	1				1134-7505-01	Kablage.....	Harness.....		
40	1				1137-1127-01	Kablage.....	Harness.....		Diesel

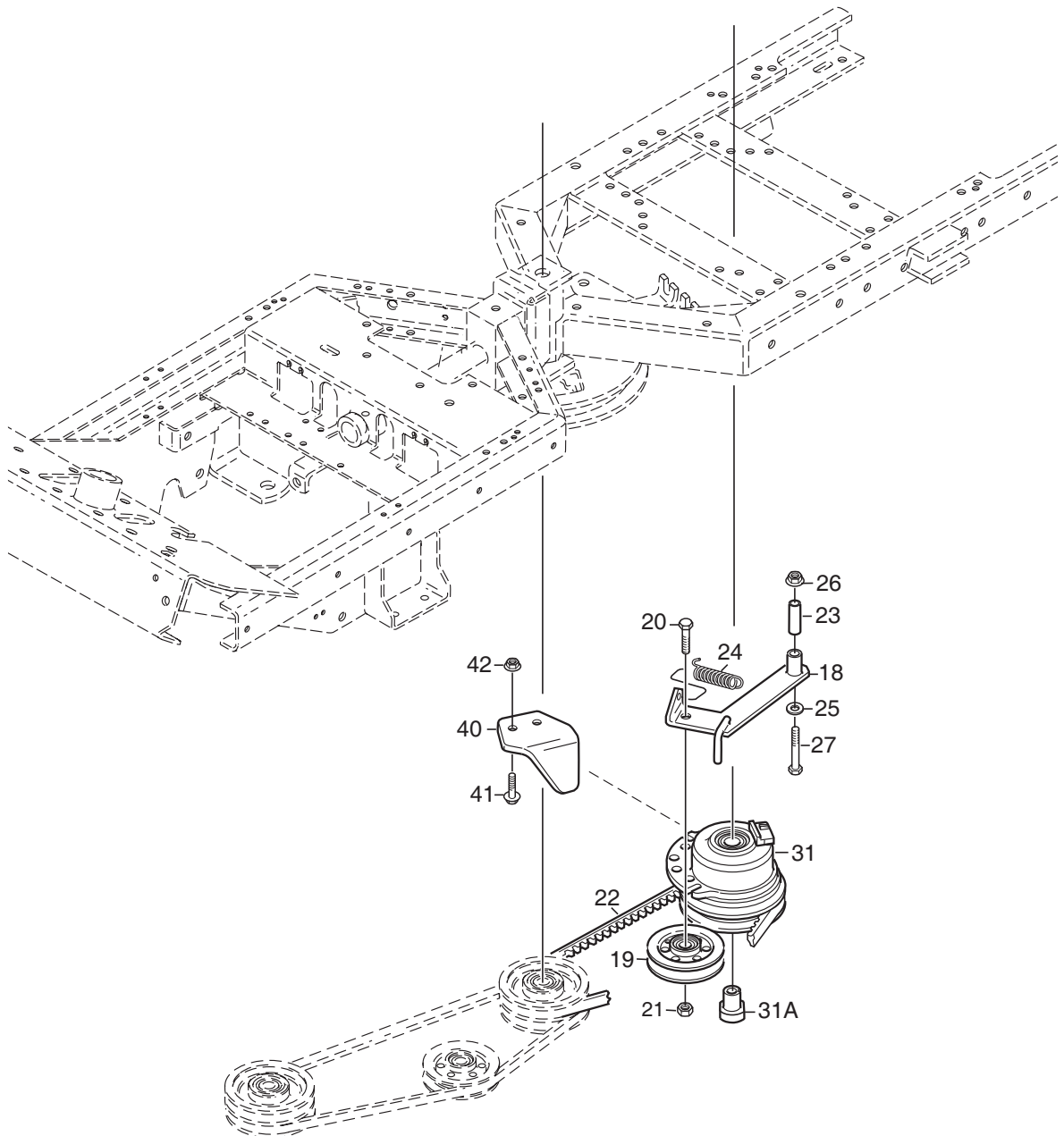


Utgåva Issue 2014-11		Bildnr Picture No 2023C		PARK DIESEL 4WD MOTOR		PARK DIESEL 4WD ENGINE		Sida Page 22	
Pos. Fig.	Antal/Quantity				Art nr Part No	Benämning	Description	Sats Kit	Anmärkning Notes
	6319								
1	1				1134-6463-01	Tätningring	Seal ring		
2	1				1134-4962-01	Fläktskydd	Fan cover		
3	3				1134-4963-01	Distans	Spacer		
4	3				9948-0630-16	Skruv	Screw		
5	4				9997-1050-16	Skruv	Screw		
6	4				9731-1031-22	Mutter	Nut		
7	1				1134-6012-01	Grenrör	Exhaust pipe		
8	1				1134-6024-01	Ljuddämpare	Muffler		
9	2				9959-0820-16	Skruv	Screw		
10	2				9739-0831-22	Mutter	Nut		
11	1				9578-0011-01	Klämma	Clamp		
12	2				1134-6118-01	Skruvnippel	Cable nipple		
13	1				1134-6126-01	Tryckfjäder	Comp. spring		
14	1				9997-0412-16	Skruv	Screw		
15	1				1134-5827-04	Oljeavtappning kpl	Oil drain assy		Inkl. pos 16 - 19
16	1				1134-5825-01	Nippel	Nipple		
17	1				9578-0023-04	Slangklämma	Hose clamp		
18	1				1134-3499-02	Slangklämma	Hose clamp		
19	1				1134-5826-01	Plugg	Plug		
20	1				1134-6139-01	Motorremskiva	Engine pulley		
22A	1				9600-0251-00	Plattkil	Key		L = 3/4"
24B	1				9987-5364-12	Skruv	Screw		L = 64 mm
25	1				1134-5938-02	Bränsletank	Fuel tank		
26	1				1134-6130-01	Bränslegnomföring	Fuel connection		
27	1				1134-6136-01	Packning	Sealing		
28	1				337207611/0	Fläns	Flange		
29	1				1134-3224-01	Bensinkran	Fuel shut-off valve		
30	1				1134-3225-01	Gummibussning	Grommet		
31	1				1134-5532-01	Tanklock	Fuel tank cap		
32	1				9578-0023-02	Slangklämma	Hose clamp		
33	1				9578-0023-07	Slangklämma	Hose clamp		
34	1				1134-5942-01	Tankbygel	Tank loop		
35	1				1134-5996-01	Tankbygel	Tank loop		
36	1				1134-4481-02	Vingmutter	Wing nut		
37	1				9747-0631-02	Låsmutter	Lock nut		
38	1				9959-0820-16	Skruv	Screw		
39	4				9997-0625-16	Skruv	Screw		
40	ERF				1134-2975-15	Bränsleslang	Fuel hose		Cut to desired length
41	1				9578-0023-02	Slangklämma	Hose clamp		
42	1				1134-0994-02	Rörklammer	Tube clamp		
43	2				9939-0820-16	Skruv	Screw		
50	1				1134-6234-01	Deflektor	Heat deflector		
51	2				9943-0516-16	Skruv	Screw		
52	1				1134-6251-01	Deflektor	Heat deflector		
53	4				9959-0612-16	Skruv	Screw		
54	4				9739-0631-22	Mutter	Nut		

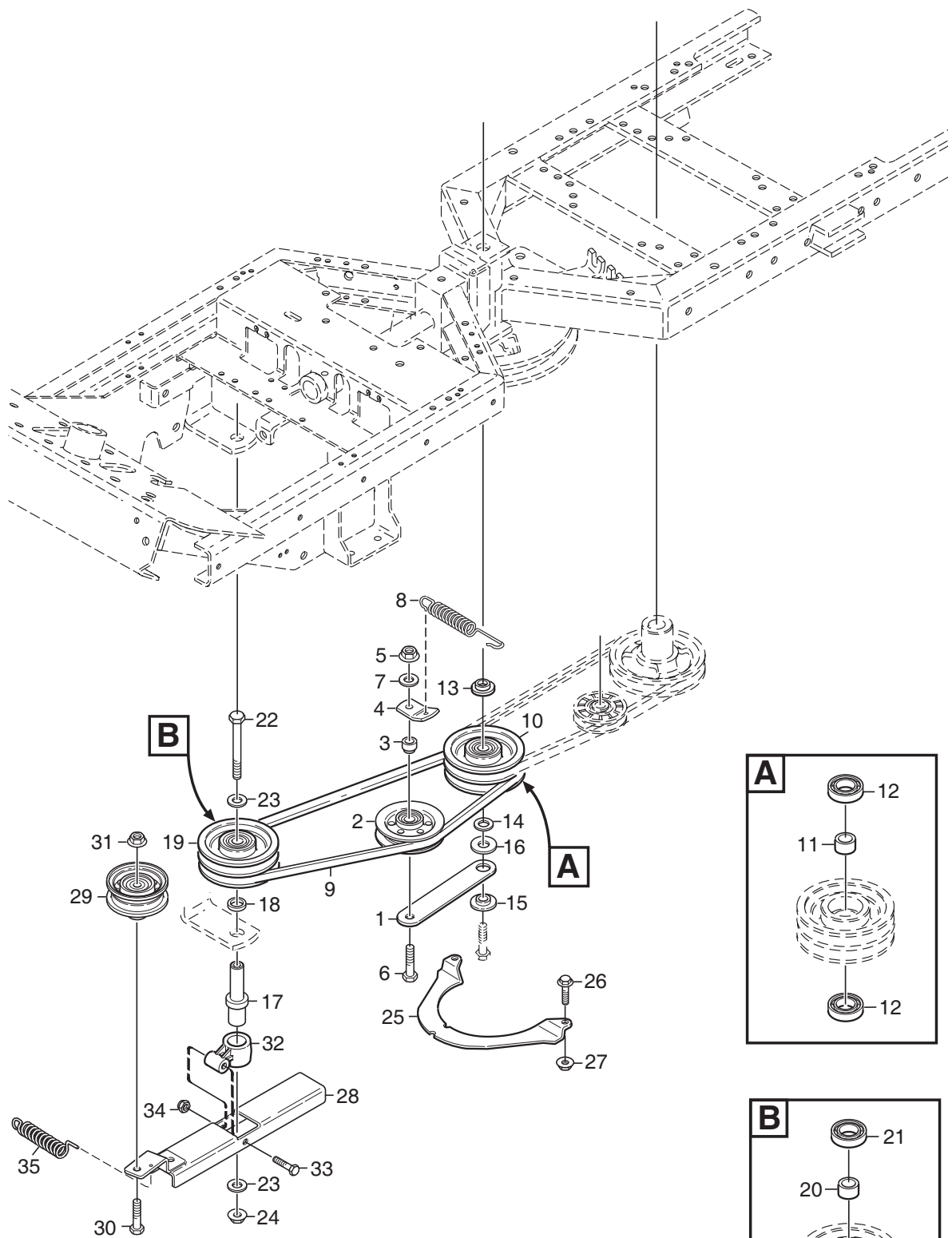
x



Utgåva Issue 2014-11		Bildnr Picture No 2208C		PARK DIESEL 4WD HJUL		PARK DIESEL 4WD WHEEL		Sida Page 28	
Pos. Fig.	Antal/Quantity				Art nr Part No	Benämning	Description	Sats Kit	Anmärkning Notes
	6319								
1	2				1134-4844-03	Hjulnav	Wheel hub		
2	2				1134-3383-02	Kil	Key		
3	2				1134-4558-01	Fälg	Rim		
4	2				9545-0116-00	Däck	Tyre		16 x 7.50 - 8
5	2				9545-0500-00	Ventil	Valve		
6	6				9731-1031-22	Mutter	Nut		
9	4				1134-5797-01	Bricka	Washer		
10	2				9653-0002-04	Spårryttare	Lock ring		
21	2				1134-4844-02	Hjulnav	Wheel hub		
22	2				1134-2471-01	Kil	Key		
23	2				1134-4558-01	Fälg	Rim		
24	2				9545-0116-00	Däck	Tyre		16 x 7.50 - 8
25	2				9545-0500-00	Ventil	Valve		
26	6				9731-1031-22	Mutter	Nut		
30	2				9653-0001-04	Spårryttare	Lock ring		
31	2				1134-4796-01	Navkapsel	Hub cap		
32	2				9947-0540-19	Skruv	Screw		
45	1				13-0993-61	Snabbfäste kpl	Quick connections		Inkl. pos 9,10,46-51
46	1				1134-7465-01	Fästen kpl, vä+hö	Attachment kit, LH+RH....		Inkl. pos 50-51
47	2				1137-0077-01	Låssprint	Locking pin		
48	4				1134-5686-01	Lagerbussning	Bearing bush		
49	2				9501-0502-00	Smörjnippel	Grease joint		
50	2				9898-1035-16	Skruv	Screw		
51	2				9739-1031-22	Mutter	Nut		
99					9545-0203-00	Innerslang	Inner tube		Reservdel/spare part



Utgåva Issue 2014-11		Bildnr Picture No 2209A		PARK DIESEL 4WD KRAFTUTTAG 1		PARK DIESEL 4WD POWER TAKE - OFF 1		Sida Page 30	
Pos. Fig.	Antal/Quantity				Art nr Part No	Benämning	Description	Sats Kit	Anmärkning Notes
	6319								
18	1				1134-3658-02	Spännarm.....	Tensioning arm.....		=9585-0088-00
19	1				1134-3663-01	Spännrulle.....	Tension wheel		
20	1				9997-1040-16	Skruv.....	Screw.....		
21	1				9739-1031-22	Mutter	Nut.....		
22	1				1134-9047-01	Drivrem.....	V-belt.....		
23	1				1134-1565-10	Distans	Spacer.....		
24	1				1134-3379-01	Fjäder.....	Spring		
25	1				9699-0056-02	Planbricka.....	Flat washer		
26	1				9739-0831-22	Mutter	Nut.....		
27	1				9997-0860-16	Skruv.....	Screw.....		
31	1				1134-7526-01	Magnetkoppling.....	Electric pto-clutch.....		
31A	1				1134-5016-01	Bussning	Bushing		
40	1				1134-4924-01	Momentstag	Strut.....		
41	1				9959-1025-16	Skruv.....	Screw.....		
42	1				9739-1031-22	Mutter	Nut.....		



Utgåva Issue 2014-11		Bildnr Picture No 2031A		PARK DIESEL 4WD KRAFTUTTAG 2		PARK DIESEL 4WD POWER TAKE - OFF 2		Sida Page 32	
Pos. Fig.	Antal/Quantity				Art nr Part No	Benämning	Description	Sats Kit	Anmärkning Notes
	6319								
1	1				1134-1730-01	Spännhjularm	Tension wheel arm		9585-0148-01
2	1				1134-3663-01	Spännrulle.....	Tension wheel		
3	1				1134-1888-05	Distans	Spacer.....		
4	1				1134-1893-01	Fjäderfäste	Spring attachment		
5	1				9739-1031-22	Mutter	Nut.....		
6	1				9997-1060-12	Skruv.....	Screw.....		
7	1				9699-0035-02	Planbricka	Flat washer		
8	1				1134-5713-04	Dragfjäder.....	Spring		
9	1				1134-9098-01	Drivrem.....	V-belt.....		
10	1				1134-1769-03	Centrumremskiva kpl	Centre pulley assy		
11	1				1134-0051-09	Distans	Spacer.....		
12	2				9549-0019-00	Kullager	Ball bearing		
13	1				1134-5548-01	Distans	Spacer.....		
14	1				9699-0035-02	Planbricka	Flat washer		
15	1				1134-0222-00	Bricka	Washer.....		
16	1				9699-0109-02	Planbricka	Flat washer		
17	1				1134-5663-01	Axel	Shaft		
18	1				1134-0052-00	Lagerdistans.....	Bearing spacer.....		
19	1				1137-0209-01	Centrumremskiva kpl	Centre pulley assy		
20	1				1134-0051-09	Distans	Spacer.....		
21	2				9549-0019-00	Kullager	Ball bearing		
22	1				9997-1011-06	Skruv.....	Screw.....		
23	2				9699-0030-02	Planbricka	Flat washer		
24	1				9739-1031-22	Mutter	Nut.....		
25	1				1134-3654-01	Fingerskydd	Finger guard		
26	2				9959-0612-16	Skruv.....	Screw.....		
27	2				9739-0631-22	Mutter	Nut.....		
28	1				1134-5660-01	Spännarm.....	Tension arm.....		
29	1				1134-5823-01	Spännrulle.....	Tension roller		
30	1				9997-1050-16	Skruv.....	Screw.....		
31	1				9739-1031-22	Mutter	Nut.....		
32	1				1134-6314-01	Spännarmsfäste.....	Attachment		
33	1				9997-0645-12	Skruv.....	Screw.....		
34	1				9747-0631-02	Låsmutter.....	Lock nut		
35	1				1134-5824-01	Fjäder.....	Spring		